

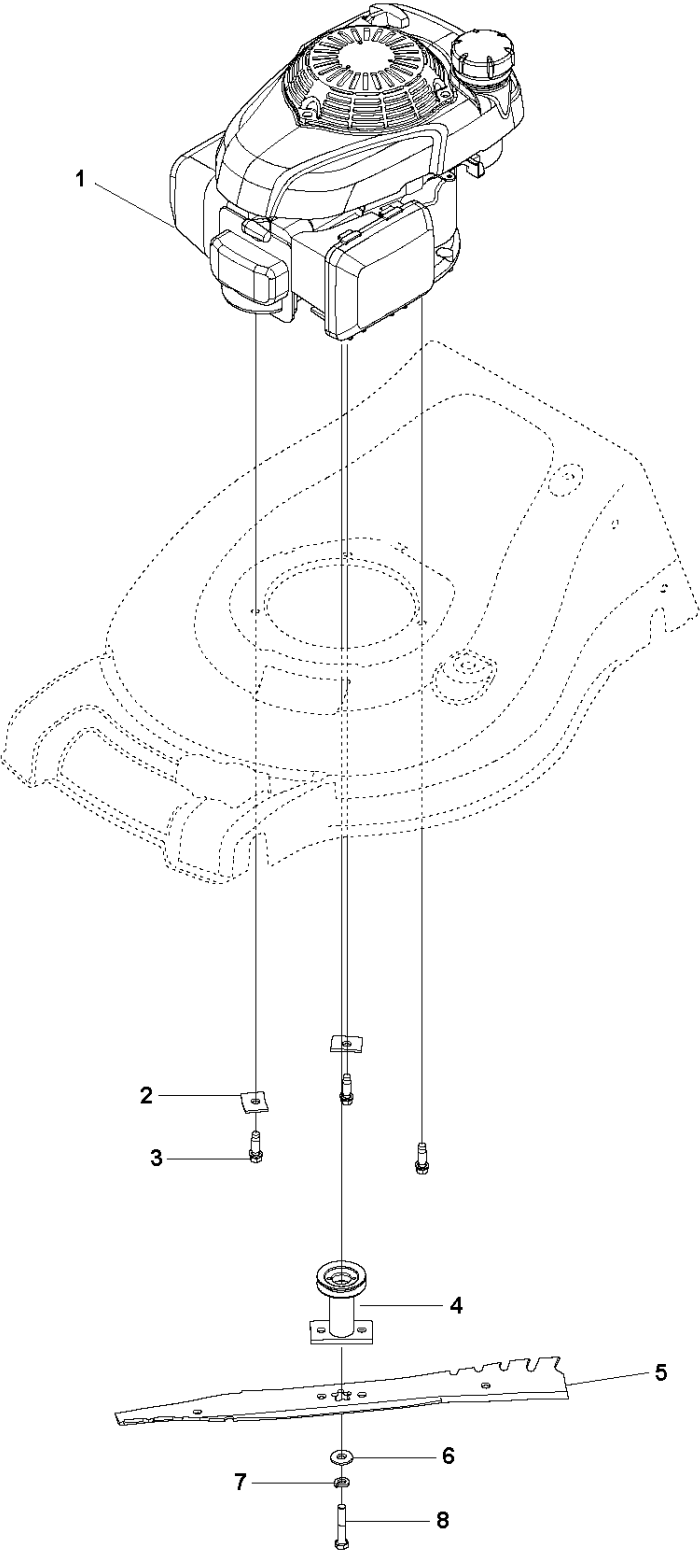


SPARE PARTS LIST

LAWN MOWERS: CONSUMER
WALK-BEHINDS

L2821, 96143013200, 2017-09

C L2821
ENGINE

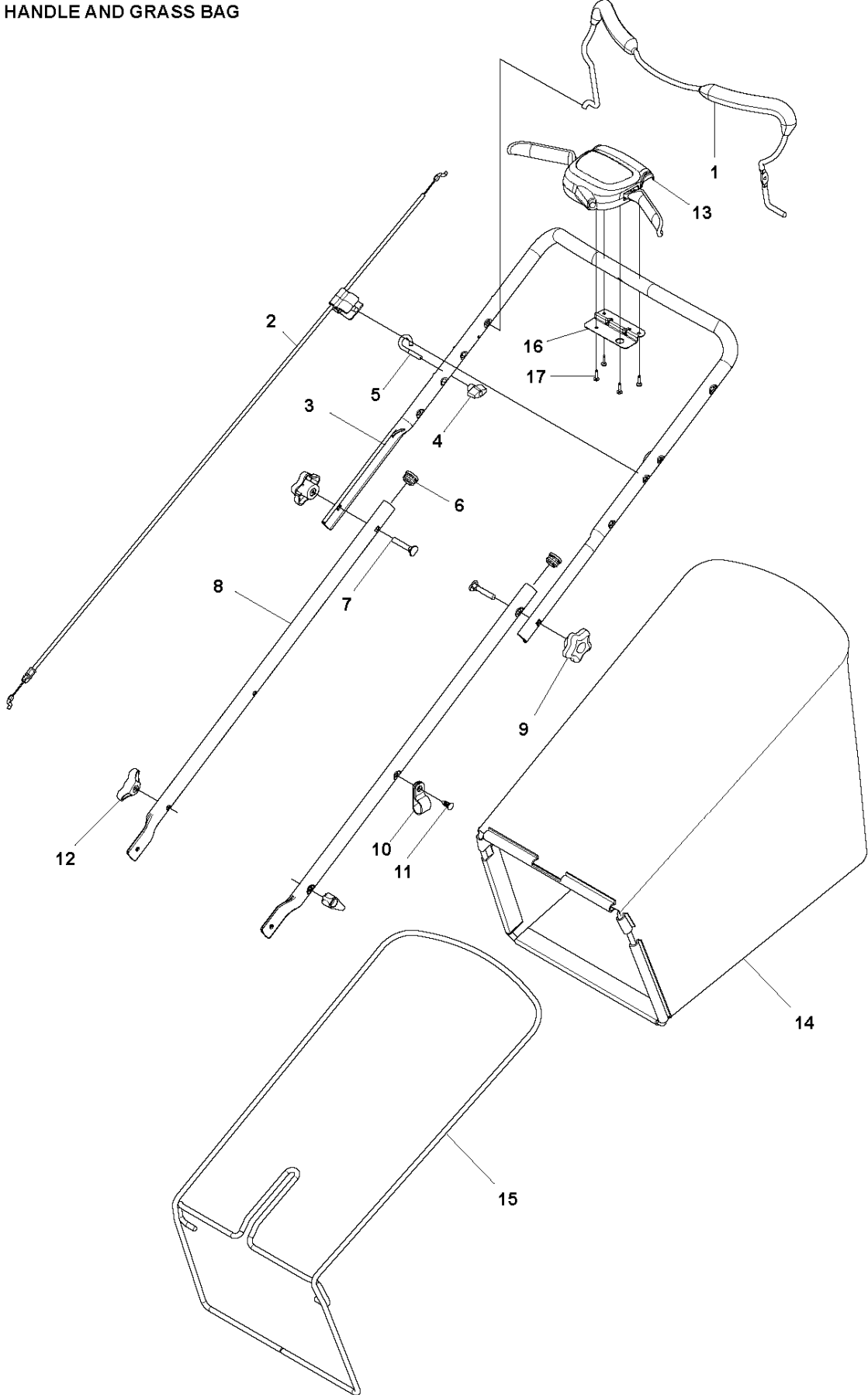


ENGINE

L2821, 96143013200, 2017-09

Ref	Part No	Description	Remark	QTY KIT
1	000 00 00-00	W/O DESCRIPTION	HONDA GCV160-LAOS3B FOR SERVICE & PARTS 1-800-426-7701	1
2	532 12 50-78	WASHER	Engine	2
3	532 15 04-06	BOLT	"Engine, 3/8-16"	3
4	590 73 98-01	ADAPTER	25, 21" AWD Blade Adapter	1
5	586 85 96-02	BLADE	High Lift	1
6	532 85 10-74	WASHER	Hardened	1
7	532 85 02-63	WASHER	"3/8, Helical Spring"	1
8	582 38 84-01	BOLT	"Blade, Hex Head Machine Screw"	1

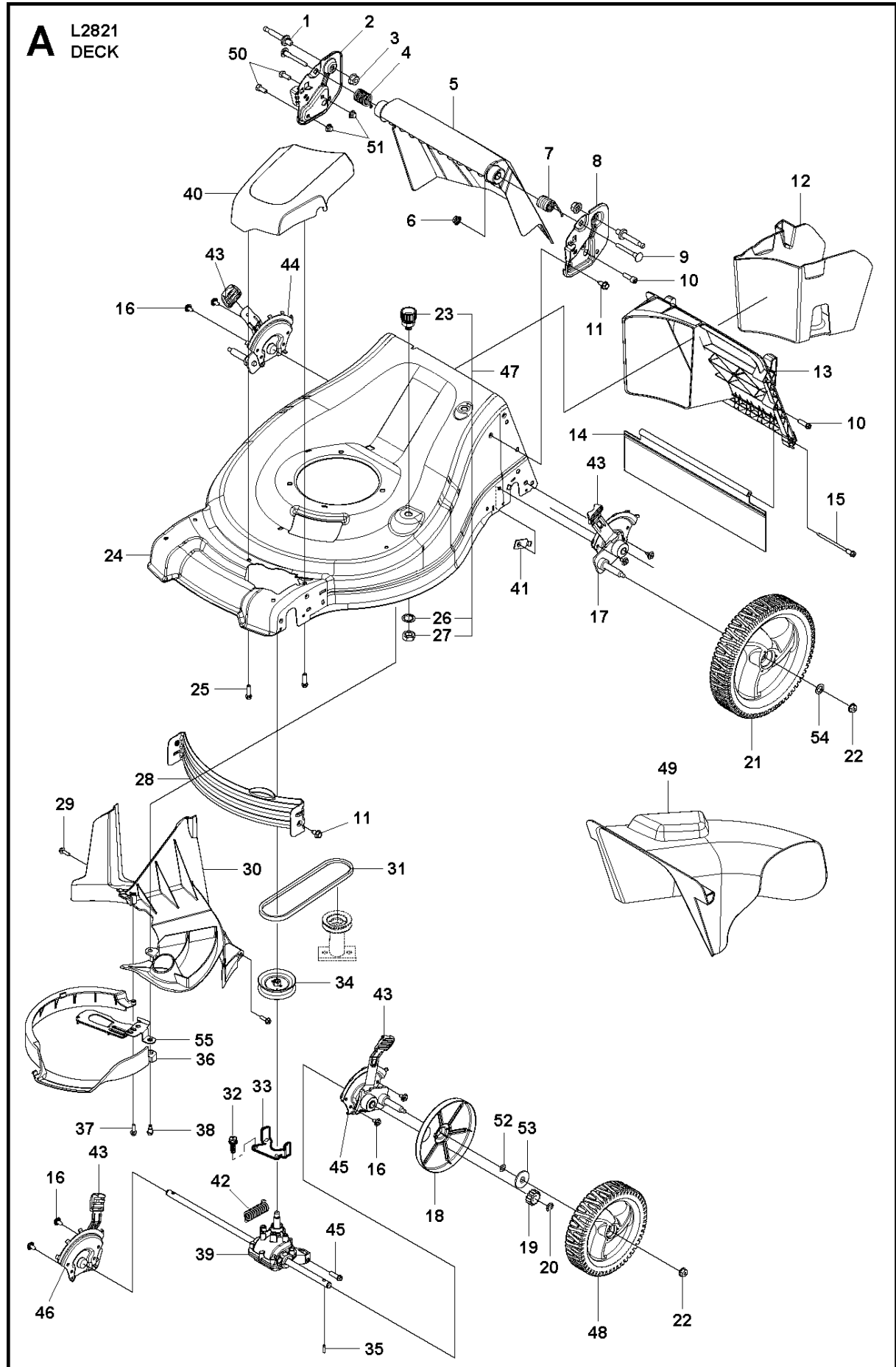
B L2821
HANDLE AND GRASS BAG



HANDLE

L2821, 96143013200, 2017-09

Ref	Part No	Description	Remark	QTY KIT
1	587 68 93-01	BAIL ARM ASSY	"Straight, Overmolded, Operator Presence"	1
2	532 42 74-97	CABLE	Operator Presence Bail	1
3	580 63 87-05	HANDLE	"Upper, Curved"	1
4	581 91 26-01	KNOB	"T, Rope Guide"	1
5	581 90 21-01	GUIDE	Rope	1
6	532 43 75-16	PLUG	"Plastic, 7/8, 14-20 Gauge"	2
7	588 04 04-01	BOLT	"Concave Head, Retaining"	2
8	501 06 40-03	HANDLEBAR	"Lower 2 piece, 3 Position"	1
9	532 18 23-98	KNOB	"Handle, Star"	2
10	532 19 79-91	CLIP	P/Cable	1
11	532 42 81-24	FASTENER	"Push, 0.250 X 0.783"	1
12	532 19 19-38	KNOB	"Handle, STANDARD"	2
13	588 69 37-02	DRIVE CONTROL	"Control, AW2"	1
14	587 10 04-17	GRASS BAG ASSY		1
15	586 92 91-02	BAG FRAME		1
16	587 24 93-02	BACKPLATE	Dual Trigger Control	1
17	532 18 16-98	SCREW		3



Ref	Part No	Description	Remark	QTY	KIT
1	587 01 52-01	BOLT	"Handle, Pivot, 5/16-18"	2	
2	589 19 78-03	HANDLEBAR BRACKET	"Adjustable Handle, Right"	1	
3	587 59 99-01	NUT	"Serrated Flange, 5/16-18"	2	
4	587 25 06-01	SPRING	"Right, Door"	1	
5	586 13 80-02	DOOR	Rear	1	
6	532 41 32-84	NUT	"Flanged, 3/8-16"	1	
7	587 24 98-01	SPRING	"Left, Door"	1	
8	589 19 76-03	HANDLEBAR BRACKET	"Adjustable Handle, Left"	1	
9	587 19 89-01	BOLT	"Door, Pivot. 3/8-16"	1	
10	587 28 11-01	SCREW	"Hi-Lo, 5/16-14 X T-45"	3	
11	817 00 05-10	BOLT	"Hex, 5/16"	2	
12	586 92 27-01	MULCHING PLUG		1	
13	586 13 75-01	INSERT	Rear	1	
14	586 69 88-01	GUARD	Rear	1	
15	587 43 82-01	SCREW	"Hi-Lo, 5/16-14 X 4.10"	1	
16	581 12 76-01	SCREW	1/4-20 Tri-lobe	8	
17	582 26 18-02	HEIGHT ADJUSTER	"4-Point, Left Rear"	1	
18	581 84 04-01	DUST COVER	"Wheel, Front"	2	
19	532 40 38-49	PINION	"14 Tooth, AWD"	2	
20	812 00 00-58	E-CLIP	"7/16, RE-Style"	4	
21	588 40 50-02	WHEEL	11", IDL	2	
22	532 40 91-48	NUT	"Hex Flange, 3/8-16"	2	
23	532 41 97-35	HOSE FITTING	Blue	1	56
24	588 61 02-31	HOUSING ASSY	21" FWD	1	
25	584 29 94-01	SCREW EHHFT	"Hi-Lo, 5/16 X 1.00"	4	
26	532 41 55-85	LOCKWASHER	Star	1	56
27	532 41 55-86	LOCKING NUT	Hex	1	56
28	586 69 86-01	BAFFLE	FRONT	1	
29	587 59 98-01	SCREW	Hi-Lo, 13-16 x .750	2	
30	586 56 04-01	BELT COVER	Belt/Rear Baffle	1	
31	532 17 54-36	V-BELT	Drive FWD	1	
32	532 16 34-09	SCREW	12 x 5/8, Hi-Lo Thread	2	
33	532 43 17-11	BRACKET	Front Transmission	1	
34	586 98 97-01	PULLEY	Transmission, FWD	1	
35	532 40 48-45	PAWL, DRIVE	Drive	1	
36	587 08 10-01	STRIPPER	Stripper	1	
37	587 59 98-01	SCREW	Hi-Lo, 13-16 x .750	2	
38	581 72 61-01	BOLT	Shoulder, 1/4-20 Tri-lobe	1	
39	587 39 53-01	TRANSMISSION	FWG, Front	1	
40	587 36 75-06	FRONT COVER	Drive, Forward, Jonsered	1	
41	587 14 73-01	STRAP	Height Adjuster Bracket	2	
42	532 40 65-58	SPRING	Return Transmission	1	
43	532 70 10-37	KNOB	Ergonomic	4	
44	582 26 18-05	HEIGHT ADJUSTER	4-Point, Right Rear Adjuster	1	
45	586 92 01-09	HEIGHT ADJUSTER	4-Point, Left Front Adjuster	1	
46	586 92 01-11	HEIGHT ADJUSTER	4-Point, Right Front Adjuster	1	
47	532 42 11-14	WATER CONNECTOR	Kit	1	
48	532 40 25-67	WHEEL	8 x 1.75	2	
49	582 26 19-01	CHUTE		1	
50	874 78 05-12	SCREW	Wheel, Rear	2	
51	532 42 79-42	NUT		2	
52	532 19 74-80	O-RING		2	
53	532 06 77-25	WASHER		2	
54	532 08 83-48	WASHER	Flat Washer 1/2"	2	
55	587 28 04-02	KEEPER	Bracket Belt Keeper 21 EFF	1	