

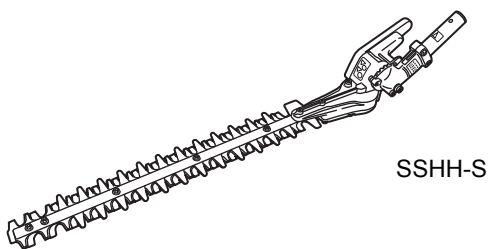
Hedge Trimmer Attachment

SSHH

Instruction Manual

Contents

Important Information	2
1. Safety	4
1.1 Warnings	4
1.2 General Precautions	6
1.3 Safety Devices and Protective Guard	11
1.4 Protective Equipment	12
1.5 Noise	12
1.6 Vibration	12
2. Outline	13
2.1 Name of Parts and Their Functions	13
2.2 Specification	14
2.3 Attached Material	14
2.4 Position of Model and Serial No.	15
2.5 Replaceable Items	15
3. Installation and Adjustment	16
3.1 Installation Method	16
3.2 Adjustment of Cutter Bar Angle	19
4. Operation	20
4.1 Transporting Method	20
4.2 Pre-operation Check	21
4.3 Start and Stop	22
4.4 Description of Cutting Techniques	22
4.5 Precautions for Operation	23
4.6 Operation Method	24
4.7 Actions after Operation	26
5. Maintenance	27
5.1 Daily	28
5.2 Every 25 hours	29
5.3 As Necessary	30
6. Storing	31
7. Waste Disposal	33
8. Troubleshooting	33
9. Servicing	34
10. Technical data	35
How to Contact Honda	37
PRODUCT REGISTRATION	39



For Safe Use of Hedge trimmer Attachment

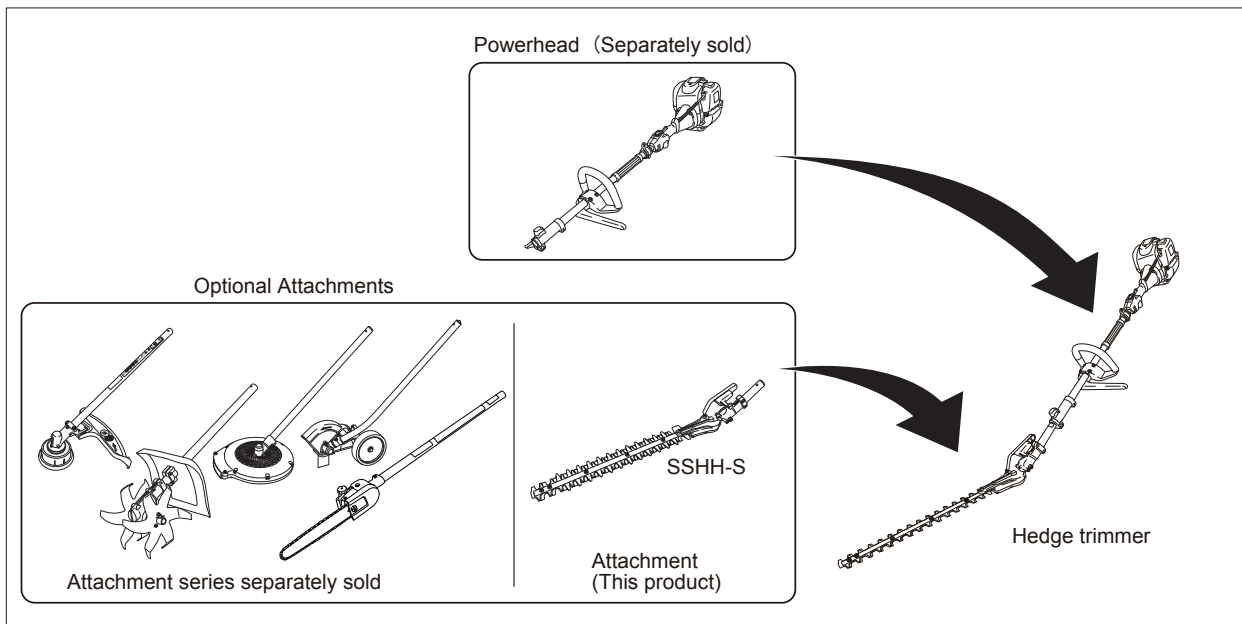
- Be sure to read this manual and the powerhead (separately sold) manual to have a good understanding of the contents before handling the hedge trimmer.
- If there is no powerhead manual, you can purchase one from your servicing dealer.
- Keep this manual and the powerhead manual in a readily accessible location.

Important Information

Intended Purpose

This product (hereinafter referred to as an attachment) is designed to be attached to an approved powerhead (to be purchased separately) for cutting hedges. (Refer to page 16 for approved powerheads.)

Do not use the hedge trimmer for any other purpose or in any other way.



General

- When handling the hedge trimmer, observe all the applicable safety rules, standards or regulations in the area where the hedge trimmer is used.

This hedge trimmer is designed and produced according to the standards and regulations applied in the purchase country, assuming that the use is limited to the purchase country only. It will not comply with standards and regulations of other countries. Do not export or resell the hedge trimmers to any other countries because the languages are different.

- Before use, read this instruction manual and the powerhead manual thoroughly, and have a good understanding of the contents. Do not allow any person who does not understand the contents of this manual to handle the hedge trimmer.
- Do not take any actions other than those described in this manual and the powerhead manual.

Important Cautions for Safe Work

- NIKKARI Co., Ltd. (hereinafter referred to as NIKKARI) cannot foresee all the risks in handling the hedge trimmer. Therefore, also give consideration to general safety measures not stated in this manual, powerhead manual to prevent injuries when handling the hedge trimmer.
- The hedge trimmer is a high-speed cutting tool with very long reach. To decrease risk of personal injury, special safety precautions must be observed. If it is used carelessly or inappropriately, the trimmer blade could make contact with hands or body, resulting in a fatal or serious injury such as amputation of hands or fingers.

Important Cautions for Instruction Manual

- This instruction manual is copyrighted and all rights are reserved. This instruction manual, in whole or part, may not be copied, translated or reproduced to any electronic medium or machine readable without prior written consent from NIKKARI.
- The contents described in this instruction manual and powerhead manual are subject to change without prior notice.
- Illustrations or figures shown in this instruction manual may partially differ from your hedge trimmer.
- If you lend or rent the hedge trimmer, be sure to provide the user with this manual and the powerhead instruction manual. Also, advise the user that they need to have a good understanding of the content of both manuals before starting any work.
- If this instruction manual or powerhead manual is lost or damaged, order a replacement from your servicing dealer immediately.
- If you have any questions about descriptions in this manual or powerhead manual, contact your servicing dealer.
- The names of companies and products described in this manual are generally trademarks or registered trademarks of each company.

1. Safety

California Proposition 65

This product contains or emits chemicals known to the State of California to cause cancer, birth defects, or other reproductive harm.





1.1 Warnings

For appropriate use of the hedge trimmer, follow the instructions in this manual. Warning labels are attached to places where there are potential risks or in the periphery. The warning labels in this instruction manual are categorized depending on the degree of risk as shown in the table below.




1.1.1 Warning Description

Signal words in this instruction manual are categorized as shown below. If the warning for each signal word is ignored, injury or death may result.

■ Meanings of signal words

 DANGER	Indicates an immediately hazardous situation which, if not avoided, will result in death or serious injury.
 WARNING	Indicates a potentially hazardous situation which, if not avoided, could result in death or serious injury.
 CAUTION	Indicates a potentially hazardous situation which, if not avoided, could result in mild to moderate injury.
 Note	It could result in property damage. Indicates to emphasize important information or provide helpful information.

■ Meanings of symbols

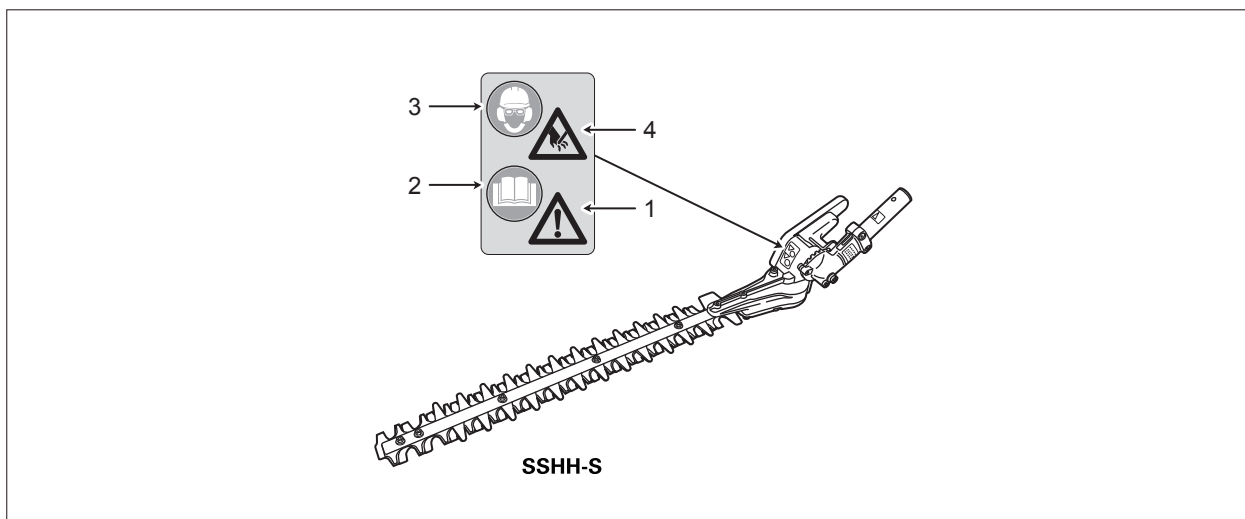
	Caution Sign	Indicates that hazardous situation may result if you fail to follow the instructions. The hazards are indicated by the pictogram inside the symbol.
	Prohibition Sign	Indicates prohibition of dangerous action. Prohibited actions are indicated by the pictogram inside or by the symbol.
	Enforcement Sign	Indicates enforcement of actions. Actions to be enforced are indicated by the pictogram inside the symbol. This action is required to avoid hazard.

1.1.2 Warning Labels

■ Cautions for Handling

- (a) This hedge trimmer is provided with warning labels to indicate important cautions. Understand the meanings of the warning labels thoroughly to work in a safe environment .
- (b) Do not operate the hedge trimmer until you have a good understanding of the meanings of the warning labels. If you do not understand the meanings, contact your servicing dealer.
- (c) Be sure to observe the warning labels and warning messages in the instruction manual at all times while handling the hedge trimmer.
- (d) Do not remove or damage the warning labels. Also, do not clean the warning labels with solvent.
- (e) Do not paint the warning labels when repainting the hedge trimmer.
- (f) If the warning labels become illegible, damaged or removed, purchase new ones from your servicing dealer, and attach them in accordance with the "■ Warning Labels and Attached Locations".

■ Warning Labels and Attached Locations



1	Carefully check the warning labels and observe them.
2	Be sure to read the instruction manual and completely understand it before use.
3	Wear personal protective equipment for eyes, ears, and head during operation.
4	Trimmer blade is extremely sharp. If hands or feet, etc. make contact with the trimmer blade, it could result in serious injury such as finger or feet amputation or even fatal injury.

1.2 General Precautions

1.2.1 Overall Precautions

When handling the hedge trimmer, follow the precautions of the powerhead manual in addition to the following precautions.

DANGER



Do not use the hedge trimmer when tired, ill, or after consuming alcohol, drugs, or medication.



Be sure to firmly tighten the knob bolt at the attachment connection between the powerhead and the extension pipe before using the attachment.

* The attachment could come off, resulting in serious injury or death.

WARNING



Do not use the hedge trimmer for any purpose other than cutting hedge or as show in examples of use (4.6).

Do not allow minors to operate the hedge trimmer.

Do not modify the hedge trimmer.

Do not install any unapproved powerhead to the attachment.

Do not remove the safety devices.

Do not touch the trimmer blade during operation.



If you lend or rent the hedge trimmer, be sure to provide the user with this manual and the powerhead instruction manual. Also, advise the user that he or she needs to have a good understanding of the content of both manuals before starting any work.

Always shut off the engine and remove the hedge trimmer from the powerhead before handling the trimmer blade.

1.2.2 Precautions for Clothing

WARNING



Wear a hard hat when using or transporting the hedge trimmer.

Wear appropriate personal protective equipment when using the hedge trimmer.

For details about protective clothing refer to “1.4 Protective Equipment”.

! WARNING



Wear goggles meeting the requirements of ANSI Z87.1 when using the hedge trimmer.

Also use a face shield (or face screen) if possible.

* Failure to use goggles or face shield, could result in eye injury from flying debris.

Wear hearing protective equipment such as ear protections when using the hedge trimmer.

1.2.3 Precautions before Operation

! WARNING



Do not allow children or animals to enter the working range of the hedge trimmer within 50 ft (15 m).

Do not operate the hedge trimmer near the electric wires.

* Otherwise, you may suffer an electric shock.



Make sure that the hedge trimmer is operated normally or there is not any part missing or damaged before starting the operation.

Before starting the operation or when hitting the hedge trimmer against something hard such as stones, make sure that the knob bolt of powerhead connections is not loosened.

* Otherwise, it could cause the attachment to fall off.

Make sure that the positioning knob is lowered to the locked position when installing the hedge trimmer. (Refer to page 17.)

* The attachment could come off.

Before use, always inspect the powerhead and attachment for any loose, damaged or missing parts.

* Anything loose, damaged, or missing could cause parts of the powerhead attachment to fall off or fail and seriously injure or kill the user.

Before using hedge trimmer, inspect the work area for any obstacles that cannot be removed so you can avoid contacting them when operating the hedge trimmer.

* Otherwise, you may trip on the obstacle or unintentionally hit it with the blade, potentially resulting in serious injury or death.

►► Note

- If the edge of the trimmer blade is blunt or damaged, do not operate the hedge trimmer. Otherwise, it could cause damage to the engine and machine due to overloading.

1.2.4 Precautions at Start-up

WARNING



The hedge trimmer must only be started and operated by one person.

* Operation by more than one person increases the likelihood of mishandling and resulting injury.

CAUTION



Always start the hedge trimmer in an open, flat area with the trimmer blade off the ground.

* Otherwise, you risk injury from falling or hitting the trimmer blade on the ground or obstacles.

1.2.5 Precautions for Operation

DANGER



Do not operate the hedge trimmer on insecure footings including a ladder, tree, back of the truck.

* You could fall off the footing, drop the hedge trimmer or contact the blade by inappropriately handling it, resulting in serious injury or death.

WARNING



Do not operate the hedge trimmer using just one hand.

* You could drop the hedge trimmer or contact the blade by mishandling, potentially leading to serious injury or death.

If the trimmer blade starts moving while idling, do not use the hedge trimmer.



Exhaust contains carbon monoxide, a clear, odorless gas that can injure or kill you. Only use in well ventilated locations.

Always concentrate on your work when using the hedge trimmer.

If you need to do other work or talk to others, stop the engine first.

* Failure to properly concentrate could result in mishandling and resultant injury.

Always use the harness when operating the hedge trimmer.

* Failure to use the harness increases the likelihood of mishandling and resultant injury.

When cutting an overhead hedge, take a break on occasion.

* When operating the hedge trimmer for a long time, your arm may get tired, resulting in mishandling the hedge trimmer, potentially leading to serious injury or death from an injury such as dropping the hedge trimmer.

WARNING



When trimming higher than the eye level, frequently check for obstacle in the hedge.

- * If the check is neglected, the hedge trimmer could make contact with a person or obstacle, resulting in serious injury or death.

Remove obstacles, and watch your step when transporting the hedge trimmer.

- * If the footing is insecure, an injury due to tripping over or falling could happen.

When turning around or rearranging your posture, the operator should move slowly.

- * Otherwise, it could cause injury due to contact of the trimmer blade with the people around, resulting in serious injury or death.

CAUTION



Do not touch hot surfaces such as the gear case during or immediately after the operation.

- * Failure to observe the instruction could result in burns because the gear case could be very hot.

1.2.6 Precautions for Maintenance

WARNING



Do not replace parts with inappropriate parts.

- * Failure to observe the instruction could cause the product not to perform as intended and cause injury due to deterioration of safety.



Before performing maintenance, repair or cleaning, stop the engine and remove the attachment from the powerhead.

- * If the engine starts during the work, hands or fingers could be severed by the moving parts or trimmer blade, resulting in serious injury or death.

►► Note

- Do not perform any maintenance or repair other than those described in the instruction manual. Other maintenance or repairs should be performed by your servicing dealer.
- Use a specified grease (general purpose No. 2 lithium grease). Also referred to as NLGI Grade-2 Lithium Based Grease. Using the wrong grease can lead to damage or failure.

1.2.7 Precautions for Transporting

WARNING



Before transporting the hedge trimmer, stop the engine, and ensure the blade has stopped.

Install the trimmer blade guard on the trimmer blade.

►► Note

- When transporting the hedge trimmer, install it to a harness or keep it balanced by holding the shaft tube.
- Before transporting the hedge trimmer on the back of the truck, etc., remove the attachment from the powerhead, install the guard on the trimmer blade, and then secure it so it does not move.

1.2.8 Precautions for Storing

CAUTION



When storing the attachment with the hook of the pipe cap attached to the pipe, etc., do not pull or swing the attachment.



When storing the hedge trimmer attachment, install the trimmer blade guard on the blade and place it out of the reach of children.

1.3 Safety Devices and Protective Guard

1.3.1 Safety Devices (Stop Devices)

To stop the hedge trimmer in case of an abnormality, use the stop device on the powerhead to stop blade rotation.

Refer to the powerhead manual for details.

1.3.2 Safety Devices (Quick Release)

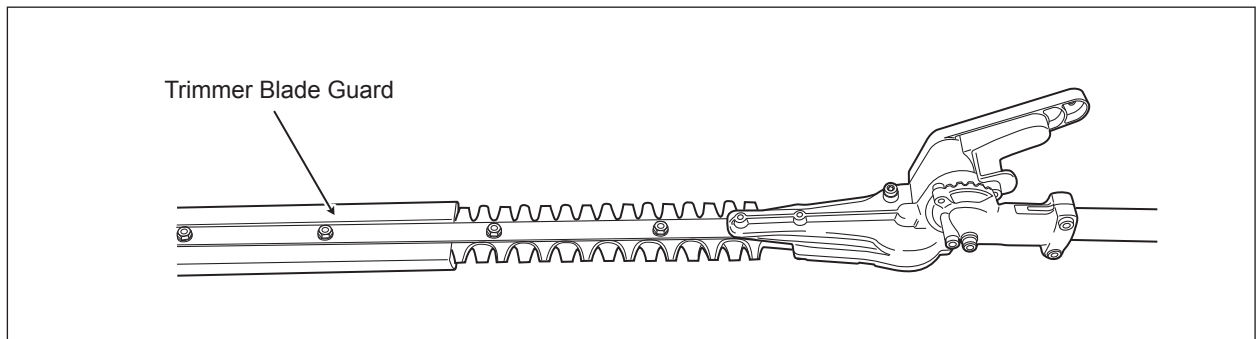
In case of an abnormality, the hedge trimmer can be released from the harness by using the quick release device.

Refer to the powerhead manual for details.

1.3.3 Protective Guard (Trimmer Blade Guard)

Install the trimmer blade guard to the hedge trimmer for transporting or storing to prevent an injury due to contact with the trimmer blade.

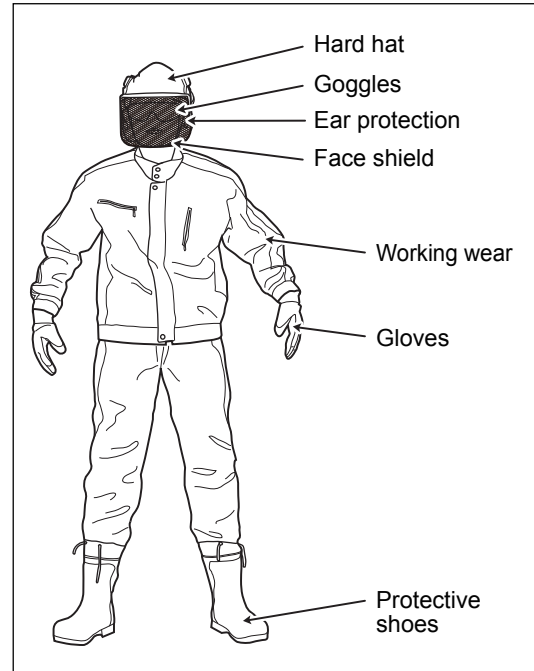
Install the guard as shown in the figure below.



1.4 Protective Equipment

When using the hedge trimmer for cutting, it is recommended to wear the following protective equipment.

- (a) Hard hat
- (b) Working wear (long sleeve jackets and full-length pants of heavy material)
- (c) Protective shoes (sturdy boots with nonslip sole) (Steel-toed safety boots are recommended.)
- (d) Gloves (heavy-duty, nonslip gloves)
- (e) Goggles that meet the requirements of ANSI Z87.1.
- (f) Face shield (or face screen) (use together with goggles is recommended)
- (g) Ear protection



►► Note

- Do not wear any jewelry, neckties or scarves.
- Secure hair so it is above shoulder level.
- If the jackets or pants are loose, tighten the cuffs or hems.
- Do not wear short pants, sandals, or go barefoot.

1.5 Noise

A person operating the hedge trimmer must use ear protection equipment.

However, take care when wearing the ear protection equipment. Your ability to hear shouts or alarms is restricted.

1.6 Vibration

Vibration generated by the hedge trimmer may cause vibration induced Hand-Arm Vibration Syndrome (HAVS). This will cause swelling pain or numbness of hands, and there is a risk of affecting the hand.

To prevent such problems, do not continuously operate for a long time. Instead, take an appropriate break.

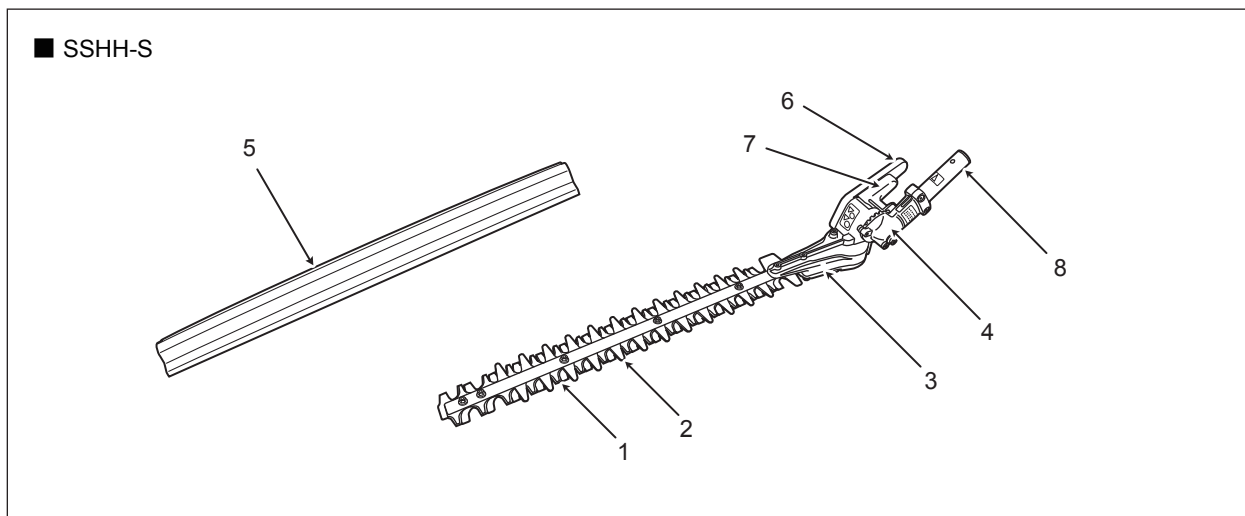
2. Outline

2.1 Name of Parts and Their Functions

The hedge trimmer is a device with the attachment installed to the powerhead (separately sold). The following is the structure of the attachment and name and function of each part.

►► Note

- There is one type of powerhead. For details about the powerhead, refer to the powerhead manual.



No.	Name	Description
1	Trimmer blade	A steel blade to cut the hedges or low trees.
2	Cutter guard	A guard to protect hands and legs from trimmer blade.
3	Transmission case	It converts the rotation of the gear case into the trimmer blade oscillation.
4	Gear case	It transmits the rotation of the drive shaft to the transmission case.
5	Trimmer blade guard	A guard to cover the trimmer blade when the hedge trimmer is not used.
6	Adjustment lever	A lever to adjust the angle of the trimmer blade appropriately.(Gray)
7	Lock lever	A lever to lock the trimmer blade to a necessary position.(Yellow)
8	Shaft tube	Mainframe with a built-in drive shaft.

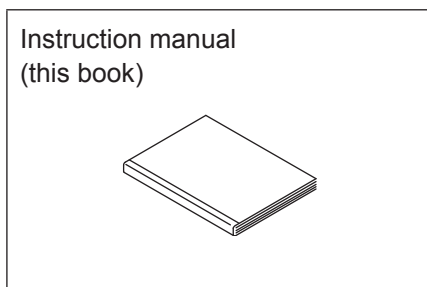
2.2 Specification

■ Standard Specification

Item	Specification
Model	SSHH-S (short shaft)
Attachment weight	SSHH-S: 4.8 lb (2.2 kg)
Dimension (L x W x H)	Short shaft: 35.2 x 4.9 x 4.9 in
Weight	Short shaft: 4.8 lbs (2.2 kg)
Shaft length	Short shaft: 5.3 in (135 mm)
Cutter type	Double-sided, Double-reciprocating
Blade length	21.6 in (550 mm)
Articulation angle increment	18 deg.
Total articulation range	Short shaft: 108 deg. (-54 to +54)

2.3 Attached Material

The following are attached materials. For the powerhead, refer to the powerhead manual.

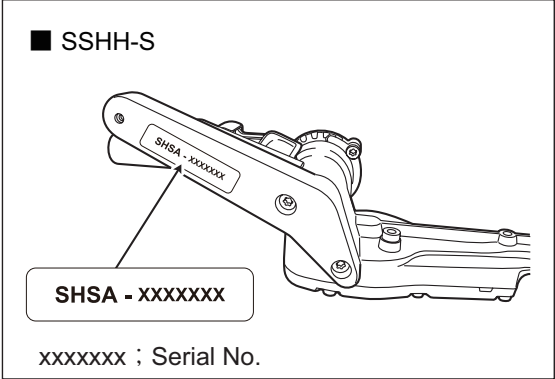


2.4 Position of Model and Serial No.

Check the model code of your attachment on the nameplate attached to the machine shaft.
 Record serial No. (See "9. Servicing"). You will need this model code and serial No. when ordering parts, and when making technical or warranty inquiries.

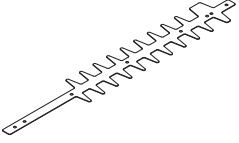
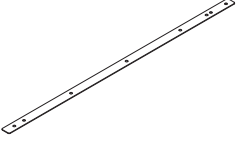
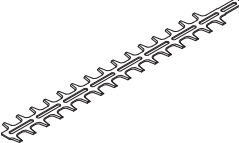


▶▶Note

- The model code is 4 letters.
 The model code is different from the model name.



2.5 Replaceable Items

The following are some common replaceable items for this attachment.
 Contact your servicing dealer for replacement parts.

<p>Cutter guard</p> 	<p>Guide</p> 	<p>Trimmer blade</p> 	<p>Slider</p> 
<p>Cap</p> 			

3. Installation and Adjustment

3.1 Installation Method

WARNING



Before installing or removing any attachment or part, stop the engine and, if attached, let the trimmer blade come to a complete stop.

* If the engine starts during the work, hands or fingers could be severed by the moving parts or trimmer blade.

CAUTION



When handling the trimmer blade, wear gloves.

* If you touch the edge of the trimmer blade or tip of the sharp blade, it could cause injury to hands or fingers.

3.1.1 Combination with Powerhead

WARNING



Do not install any unapproved powerhead to the attachment.

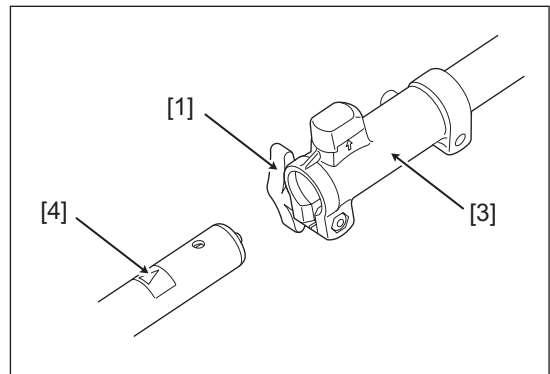
* The attachment could separate from the powerhead, causing severe injury.

The attachment can be installed only to our approved equipment (shown below).

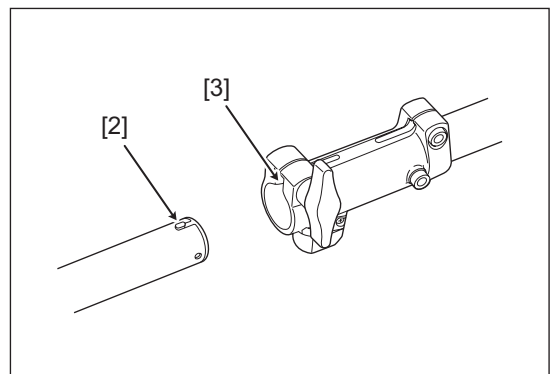
Manufacturer	Approved Powerheads
Honda Motor Co., Ltd.	UMC425A
Honda Motor Co., Ltd.	UMC435A

3.1.2 Connecting

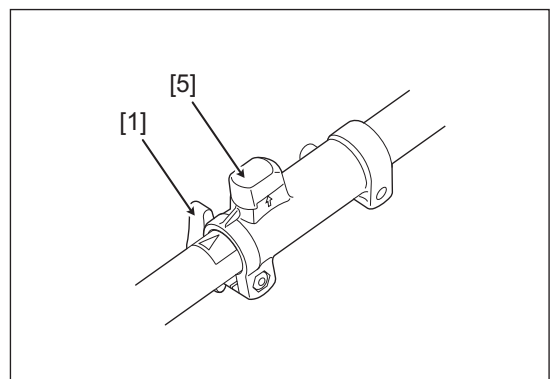
- 1** Loosen the knob bolt [1] of powerhead connections.



- 2** Align the boss (protrusion) [2] at the end of the pipe with the slit of the joint case [3], and insert it to the label [4] position.

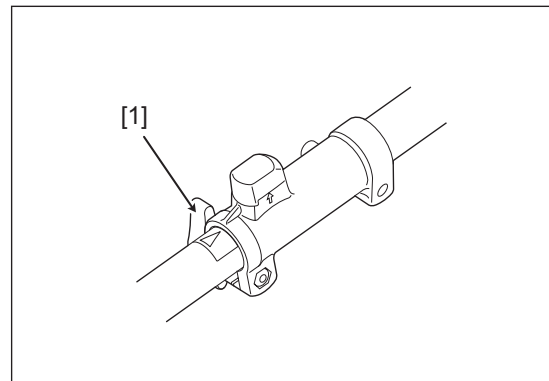


- 3** Make sure that the positioning knob [5] is lowered to the locked position as shown, and then tighten the knob bolt [1] of the powerhead connections.

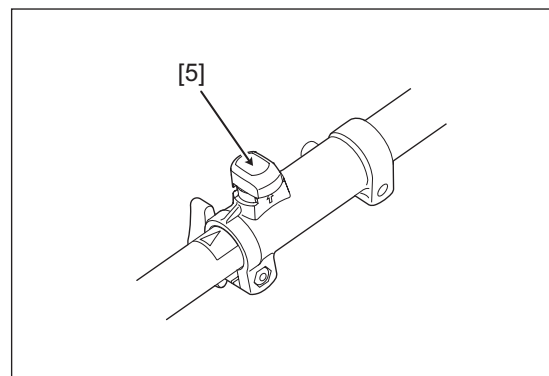


3.1.3 Removing

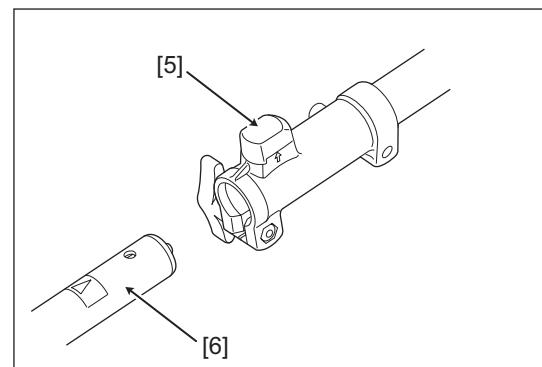
- 1** Loosen the knob bolt [1] of powerhead connections.



- 2** Lift the positioning knob [5], and turn it 90°, either clockwise or counterclockwise.



- 3** Pull out the shaft tube [6].
If the shaft tube is hard to remove, hold it so that the attachment is parallel to the pipe of the powerhead, and then pull it out.

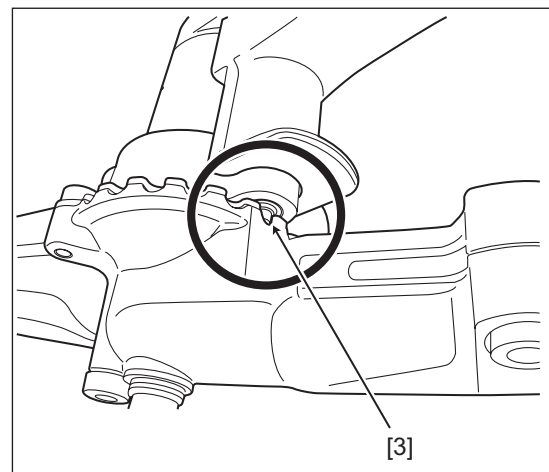
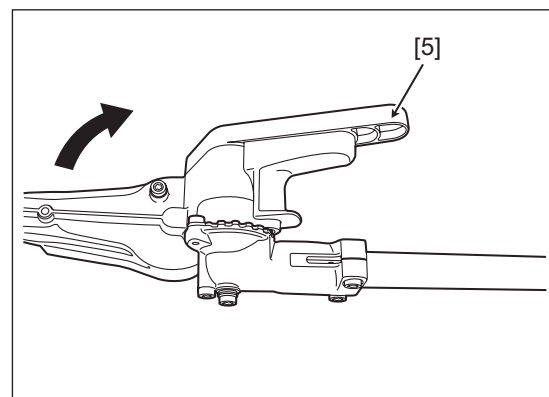
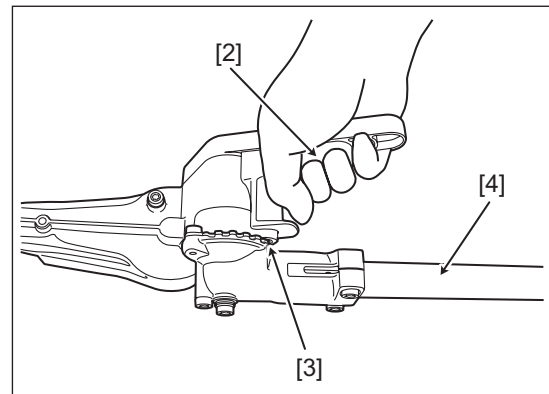
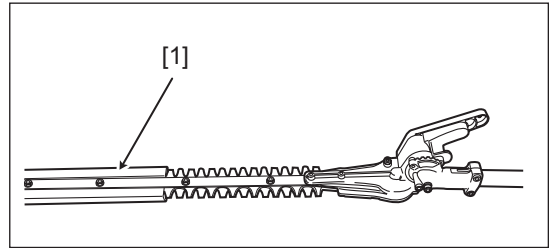


- 4** Turn the positioning knob [5] until it comes to the center and locks in place. When the positioning knob [5] is returned to the center, it will be released downward.

3.2 Adjustment of Cutter Bar Angle

On this type of cutter bar, the angle relative to the cutter bar can be adjusted to 7 positions between -54° to $+54^{\circ}$. Adjust as follows.

- 1** Before this adjustment, stop the engine.
- 2** Lay down the hedge trimmer on the ground, and install the guard [1] to the trimmer blade.
- 3** Slide the lock lever [2] to release the lock. (Remove the pin [3] of the lock lever from the hole.)
If it does not move smoothly, move the shaft tube [4] back and forth a little.
- 4** With the lock released, grip the adjustment lever [5] to change the angle of the cutter bar.
- 5** At the adjusted angle position, return the lock lever. (Engage the pin [3] of the lock lever with the hole.)



4. Operation

4.1 Transporting Method

⚠ WARNING



When transporting the hedge trimmer, wear appropriate clothes and personal protective equipment.

* Otherwise, it could cause injury.

Before transporting the hedge trimmer, stop the engine, and ensure the blade has stopped.

Install the trimmer blade guard on the trimmer blade.

Remove obstacles, and watch your step when transporting the hedge trimmer.

* If the footing is insecure, an injury due to tripping over or falling could happen.

▶▶ Note

- When transporting the hedge trimmer, install it to a harness or keep it balanced by holding the shaft tube.
- Before transporting the hedge trimmer on the back of the truck, etc., remove the attachment from the powerhead, install the guard on the trimmer blade, and then secure it so it does not move.

1 Wear protective equipment. For detail about the protective equipment, refer to “1.4 Protective Equipment”.

2 Make sure that the engine is stopped and the blade is not moving.

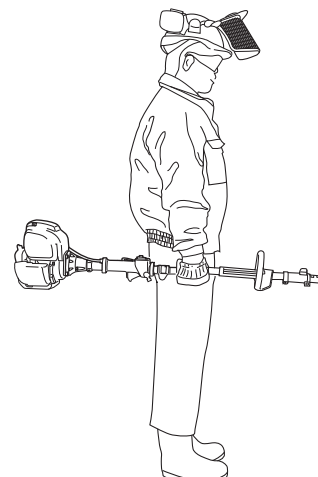
3 Install the trimmer blade guard to the trimmer blade.

4 <When hand-carrying the hedge trimmer>
Install it to the harness or use the shaft tube to maintain balance.

<When transporting by truck, etc.>

- (1) Remove the attachment from the powerhead.
- (2) Put the hedge trimmer on the back of the truck, and secure it.

When hand-carrying the hedge trimmer



4.2 Pre-operation Check

WARNING



Make sure that the hedge trimmer is operated normally or there is not any part missing or damaged before starting the operation.

Before operating the hedge trimmer, check the following.

- (a) If any part is damaged or worn out, replace before using. Contact your service dealer for a replacement part.
 - Check to see if there is any looseness, cracks, bending, or distortion of parts (nuts, screws, etc.)
 - Check to see if the trimmer blade is damaged.
 - Check to see if the knob bolt of powerhead connections is loosened.

- (b) Check to see if the hedge trimmer functions normally. If it is faulty, contact your servicing dealer for repair.
 - Check to see if the throttle trigger is operating freely (if it returns to the idling position).
 - Check to see if the start/stop switch functions normally.

- (c) Check the handle for dirt, etc. If it is dirty, wipe it off.
 - Check to see if it is kept clean (if there is oil or resin adhering.)
 - Be sure it's dry before using.

- (d) Check the idling status. If it is faulty, perform the steps described in the powerhead manual.
 - Check to see if the trimmer blade moves during idling.
If it does, stop the engine and contact the servicing dealer for repair.

- (e) In addition to the above, perform the steps described in the powerhead manual.

4.3 Start and Stop

The hedge trimmer is operated by the powerhead.
Refer to the powerhead manual.

4.3.1 Start

WARNING



The hedge trimmer must only be started and operated by one person.

* Operation by more than one person increases the likelihood of mishandling and resulting injury.

For starting the hedge trimmer, refer to the powerhead manual.

4.3.2 Stop

When the throttle trigger is released, the engine power will decrease, and the trimmer blade will come to a stop. However, it will not stop immediately after the throttle trigger is released, but instead will continue to turn for a short while (flywheel effect).

Maintain proper control until the blade has come to a complete stop.

Refer to the powerhead manual for details.

4.4 Description of Cutting Techniques

The following describes the cutting techniques.

■ Vertical cut

When cutting along the hedge, move the trimmer blade up and down in large arc.

Use the both edges of the trimmer blade to cut.

■ Horizontal cut

When cutting, while swinging the hedge trimmer horizontally, keep the trimmer blade angle between 0° and 10°.

4.5 Precautions for Operation

When operating the hedge trimmer, observe the following as well as “1.2 General Precautions”.

■ General

- The hedge trimmer is not insulated against electric shock. Have a person qualified for electric work remove wires and cables. If there are still wires or cables not removable, do not operate the hedge trimmer.
- Do not cut any materials other than hedges or shrubs.
- There is still a risk of injury by thrown object even if bystanders keep a distance of 50 ft (15 m) or more. They should be encouraged to wear eye protection.
- Always stop the engine when leaving the hedge trimmer.

■ Check the Work Area

- Take extreme care when operating in a slippery location/environment. Also watch out for rough ground, stumps, roots, ditches or holes which could cause you to trip or stumble. Do not use the hedge trimmer when it is raining.
- To prevent fire, do not use the hedge trimmer in a place where there are flammable liquids.

■ In Emergency

- If the hedge trimmer is jammed by thick branches or any other obstructions during operation, stop the engine immediately.
- If there is any problem, such as abnormal noise or vibration, stop the operation immediately and check for the cause.
If anything abnormal is found, such as a blunt edge of the trimmer blade, etc., make sure that no part is cracked or missing. Even if the trimmer blade has superficial cracks instead of damage or wear, replace the trimmer blade.
- In case of an abnormality, the hedge trimmer can be released from the harness or shoulder harness by using the quick release.

4.6 Operation Method

⚠ WARNING



Do not allow children or animals to enter the working range of the hedge trimmer within 50 ft (15 m).



The hedge trimmer must only be started and operated by one person.

* Operation by more than one person increases the likelihood of mishandling and resulting injury.

When using multiple hedge trimmers at the same time, each operator must be at least within 50 ft (15 m) away from the others.

The following shows examples of use of the hedge trimmer.

■ Holding Method of hedge trimmer

- Always hold the hedge trimmer with both hands during operation.

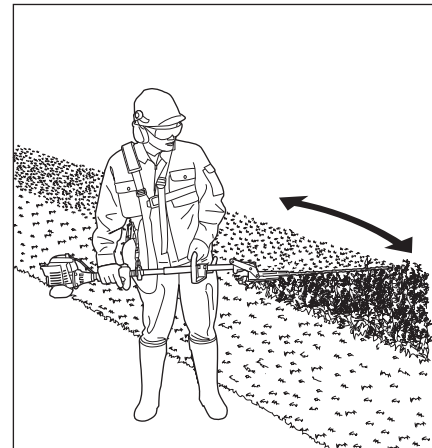
To prevent injury due to inappropriate operation, always support the hedge trimmer steady during operation by holding as follows.

Right hand: Control grip.

Left hand: Loop handle.

(This also applies to left-handers.)

- Always keep the machine away from your body.
- Do not over-reach during the operation. Your arm gets tired, losing control.
- Adjust the angle of the cutter bar to hold the hedge trimmer at a less-tiring position. Use the harness.

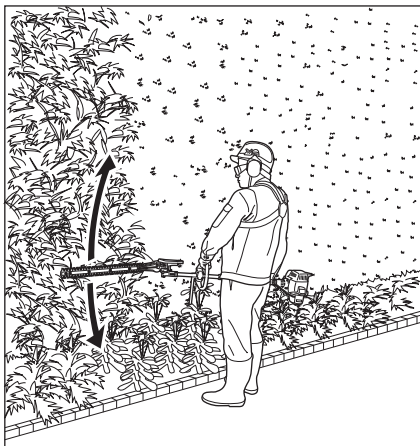


■ Examples of Use

<Example 1 vertical cut>

Use an angled cutter bar.

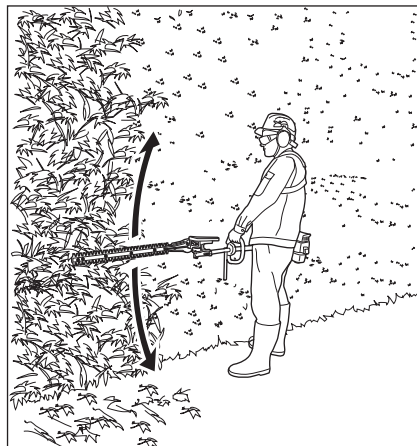
Cut without standing directly in front of the hedge in case of cutting reaching over flower beds.



<Example 2 vertical cut>

Use a straight cutter bar.

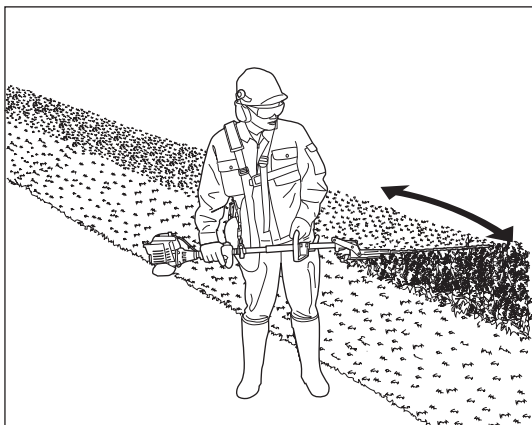
Large working radius is obtained even without additional aids.



<Example 3 horizontal cut>

Use a straight cutter bar.

Cut without standing directly in front of the hedges, reaching over flower beds, ditches, etc.



▶▶ Note

- Do not throw cuttings in the garbage can. They can be composted.

4.7 Actions after Operation

After using the hedge trimmer, take the following actions.

1 Set the start/stop switch to OFF (O side) to stop the engine.

▶▶ Note

- Make sure that trimmer blade rotation has come to a complete stop, before setting the unit down.

2 Tighten all the nuts, bolts, and screws other than the ones for adjusting the carburetor.

3 Store the hedge trimmer according to “6. Storing”.

5. Maintenance

WARNING



Before performing maintenance, repair or cleaning, stop the engine and remove the attachment from the powerhead.

* If the engine starts during the work, hands or fingers could be severed by the moving parts or trimmer blade, resulting in serious injury or death.

CAUTION



When handling the trimmer blade, wear gloves.

* If you touch the edge of the trimmer blade or tip of the sharp blade, it could cause injury to hands or fingers.

►► Note

- Do not perform any maintenance or repair other than those described in the instruction manual. Other maintenance or repairs should be performed by your service dealer.

Maintenance items for the attachment are described as follows.

For maintenance of the powerhead, refer to the powerhead manual.

■ Maintenance List

Item	Daily	Every 25 hours	As necessary	Remarks
Inspection of blade	○			Refer to 5.1.1.
Looseness of screws and nuts	○			Refer to 5.1.2.
Greasing the transmission case		○		Refer to 5.2.1.
Greasing the gear case		○		Refer to 5.2.2.
Removal of foreign objects			○	Refer to 5.3.1.
Maintenance of trimmer blade			○	Refer to 5.3.2.
Replacement of cap			○	Refer to 5.3.3.

5.1 Daily

5.1.1 Inspection of Blade

⚠ WARNING



If the trimmer blade is excessively worn, bent or damaged, replace the trimmer blade assembly with a new one.

* Otherwise, pieces of the damaged trimmer blade could scatter, resulting in serious or fatal injury.

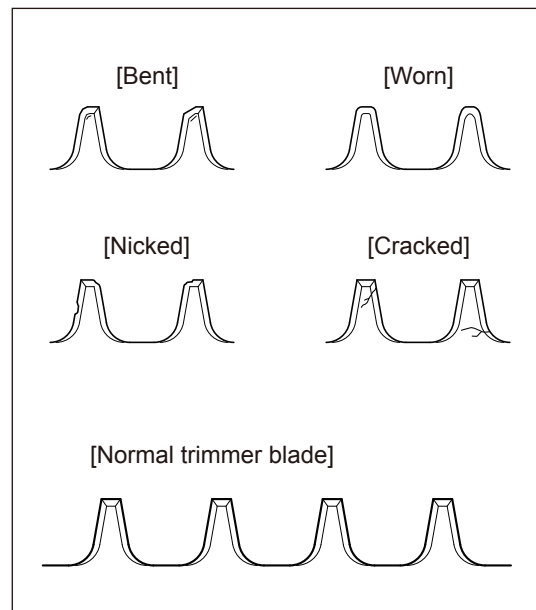
If the cutting performance has deteriorated, e.g. the trimmer blade is frequently jammed by branches, sharpen or replace the trimmer blade.

1 Make sure that any branches or leaves are not caught by the trimmer blade.

If there is any branches or leaves caught, remove them.

2 Check to see if the trimmer blade is worn or damaged, or if is dull.

If the trimmer blade is worn, bent, or damaged, etc., contact your servicing dealer for the replacement.



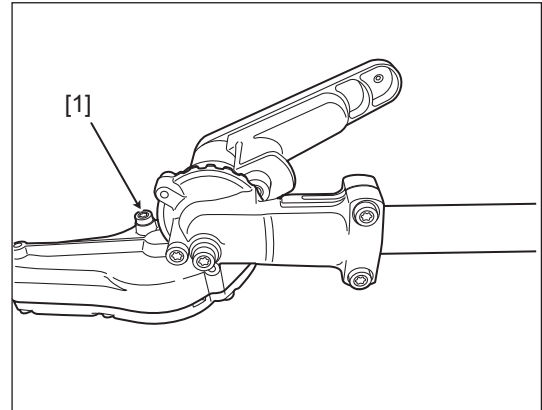
5.1.2 Looseness of Screws and Nut

Check the screws and nuts for looseness. If any, tighten it securely.

5.2 Every 25 hours

5.2.1 Greasing the Transmission Case

- 1** Remove the plug [1] from the grease filler opening with the specialized tool attached to powerhead.
- 2** Grease from the grease filler opening [1].
- 3** Refit the plug [1] of the grease filler opening with the specialized tool attached to powerhead.

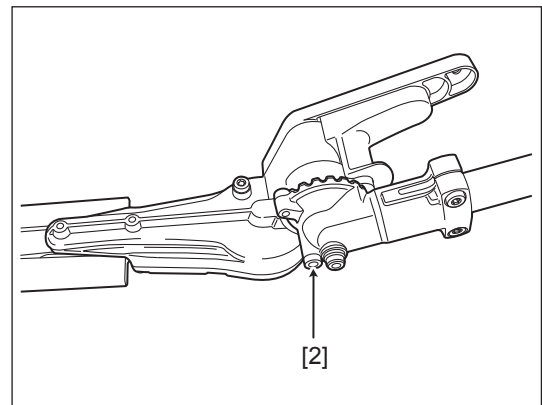


►► Note

- Do not discard grease into the river, the sea, or the ground. Otherwise, it could pollute the environment.
- Use a specified grease (general purpose No. 2 lithium grease). Also referred to as NLGI Grade-2 Lithium Based Grease. Using the wrong grease can lead to damage or failure.

5.2.2 Greasing the Gear Case

- 1** Remove the plug [2] from the grease filler opening with the specialized tool attached to powerhead.
- 2** Grease from the grease filler opening [2].
►► Note
 - Do not overfill.
- 3** Refit the plug [2] of the grease filler opening with the specialized tool.



►► Note

- Do not discard grease into the river, the sea, or the ground. Otherwise, it could pollute the environment.
- Use a specified grease (general purpose No. 2 lithium grease). Also referred to as NLGI Grade-2 Lithium Based Grease. Using the wrong grease can lead to damage or failure.

5.3 As Necessary

5.3.1 Removal of Foreign Objects

Remove the stains from the trimmer blade with a cloth, etc. Clean the trimmer blade as necessary, and then apply oil thinly.

▶▶Note

- Be sure to clean the trimmer blade. If it is not cleaned, dust, wood chips, grease, etc. will be accumulated and hardened, by which the hedge trimmer is not able to be operated for the next time.

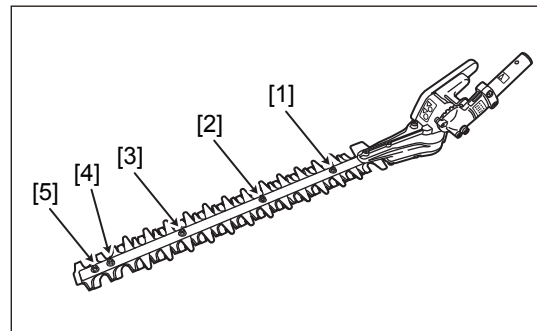
5.3.2 Maintenance of Trimmer Blade

If the motion of the trimmer blade is not smooth or dull, remove any foreign objects or inspect the trimmer blade.

If there is not anything wrong, loosen the bolts and nuts of the trimmer blade and then tighten again in order shown in the right figure.

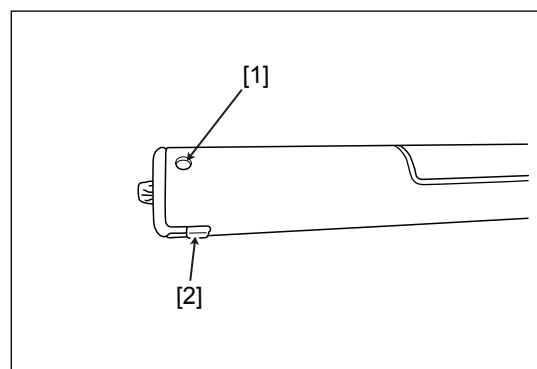
Torque : 7 N·m

If the blade edge is damaged, contact your servicing dealer for regrinding.



5.3.3 Replacement of Cap

- 1** Push the hole [1] with a thin rod to pull out the cap.
- 2** Align the boss (protrusion) of cap [2] with the pipe groove to insert the cap [2].
Make sure that the cap will not come off.



6. Storing

⚠ CAUTION

	<p>When storing the attachment with the hook of the pipe cap attached to the pipe, etc., do not pull or swing the attachment.</p>
	<p>When handling the trimmer blade, wear gloves.</p> <p>* If you touch the edge of the trimmer blade or tip of the sharp blade, it could cause injury to hands or fingers.</p>
<p>When storing the hedge trimmer attachment, install the trimmer blade guard on the blade and place it out of the reach of children.</p>	

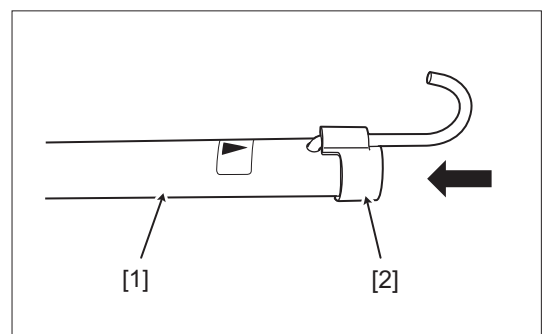
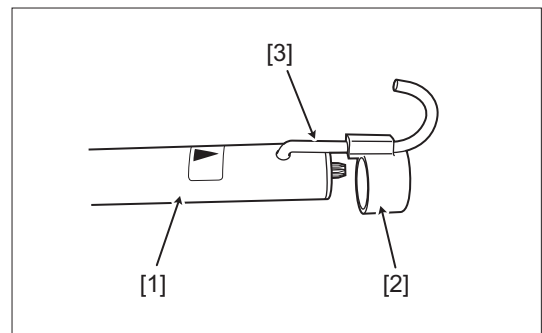
▶▶ Note

- Do not discard grease into the river, the sea, or the ground. Otherwise, it could pollute the environment.

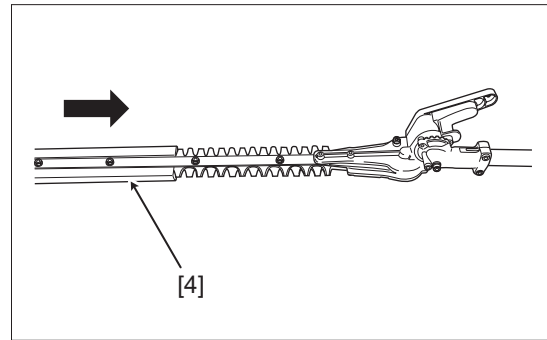
After working or when storing, follow the procedure below.

For directions after the powerhead operation is completed or storing method, refer to the powerhead manual.

- 1 Remove the attachment from the powerhead.**
- 2 Insert the hanging hook [3] of the pipe cap [2] into the hole of the shaft tube [1].**
- 3 Insert the pipe cap [2] into the shaft tube [1].**
- 4 Put on gloves.**
- 5 Clean and check the trimmer blade according to “5.1.1 Inspection of Blade” and “5.3.1 Removal of Foreign Objects.”**
- 6 Clean the attachment. Wipe off the dirt or stain with a cloth, etc.**



7 Install the trimmer blade guard [4].



8 Store the hedge trimmer in the following place:


- (a) Locked place
- (b) High place out of reach of children and other unauthorized person
- (c) Dry and cool dark place


7. Waste Disposal

For disposal, observe the standards and regulations of your region. If there is any question, contact your servicing dealer.

8. Troubleshooting

In case of failure, follow the table below.

 **DANGER**



When troubleshooting, stop the engine and then remove the attachment from the powerhead.

* If the engine starts during the work, hands or fingers could be severed by the moving parts or trimmer blade.

Situation	Possible Cause	Correction
Output is not enough.	Throttle cable adjustment is faulty.	Refer to the powerhead manual.
	Engine concern.	Refer to the powerhead manual.
Vibration is too large.	Poor balance of attachment	Contact your servicing dealer.
	Improper-installation of attachment	Check the installed status. Tighten attach nut.
	Looseness of connection of attachment	Contact your servicing dealer.
	Shaft tube is bent.	Contact your servicing dealer.
Blade is dull	The attachment is not installed to an appropriate powerhead.	Install it to an appropriate powerhead.
	Trimmer blade has worn.	Contact your servicing dealer.
Trimmer blade does not move even if the engine speed is increased.	The shaft tube is broken.	Contact your servicing dealer.
	Gear has worn.	Contact your servicing dealer.
	Debris is jammed in blade.	Remove debris.

9. Servicing

For repair, handling method or cleaning, contact your servicing dealer.

■ When Requesting for Repair

If there is any problem, try finding the cause and take measures according to “8. Troubleshooting”. If it does not solve the trouble, contact your servicing dealer.

■ Contact for Repair

Contact your servicing dealer for repair.

Record serial No. (See “2.4 Position of Model and Serial No.”) in the space below. You will need this model code and serial No. when ordering parts, and when making technical or warranty inquiries.

Required information	
Name of product	Hedge trimmer attachment
Model code & Serial No.	SHSA -
Purchased date	
Purchased from	

10. Technical data

		Model	SSHH-S	
		Powerhead	UMC425A	UMC435A
		Handle	LOOP	LOOP
a)	Mass (without guard and powerhead)	lb (kg)	4.8 (2.2)	
	Length (without guard and powerhead)	in (mm)	35 (895)	
	Cutting attachments (diameter for blades)	in (mm)	22 (550)	
	Dimension (L x W x H)	in (mm)	35.2 x 4.9 x 4.9 (895 x 125 x 125)	
	Weight	lb (kg)	4.8 (2.2)	
	Shaft length	in (mm)	5.3 (135)	
b	Cutter type		Double-sided, Double-reciprocating	
c	Blade length	in (mm)	21.6 (550)	
d	Articulation angle increment	degree	18	
e	Total articulation range	degree	108 (-54 to +54)	

MEMO

How to Contact Honda

Honda Power Equipment dealership personnel are trained professionals. They should be able to answer any question you may have. If you encounter a problem that your dealer does not solve to your satisfaction, please discuss it with the dealership's management. The Service Manager or General Manager can help. Almost all problems are solved in this way.

If you are dissatisfied with the decision made by the dealership's management, contact the Honda Power Equipment Customer Relations Office. You can write:

American Honda Motor Co., Inc.
Power Equipment Division
Customer Relations Office
4900 Marconi Drive
Alpharetta, GA 30005-8847

Or telephone: (770) 497-6400 M-F, 8:30 a.m. - 7:00 p.m. ET

When you write or call, please give us this information:

- Model and serial numbers
- Name of the dealer who sold the product to you
- Name and address of the dealer who services your product
- Date of purchase
- Your name, address, and telephone number
- A detailed description of the problem



Distributor's Limited Warranty

NIKKARI ATTACHMENTS

This warranty is limited to the following Nikkari products when distributed by American Honda Motor Co., Inc., Power Equipment Division, 4900 Marconi Drive, Alpharetta, Georgia 30005.

PRODUCTS COVERED BY THIS WARRANTY:	LENGTH OF WARRANTY: (FROM DATE OF ORIGINAL RETAIL PURCHASE)	
	PRIVATE RESIDENTIAL ⁽¹⁾	COMMERCIAL/RENTAL/INSTITUTIONAL
Hand-Held Attachments		
SSST trimmer	36 months	24 months
SSBL blower		
SSCL cultivator		
SSET edger		
SSHH hedge trimmer		
SSPP pole pruner		

(1) Private residential: Used in maintaining owner's primary and/or secondary residence. Any other use, including but not limited to informal "for hire" use, is considered commercial/rental/institutional use.

To Qualify for This Warranty:

The product must be purchased in the United States, Puerto Rico, or the U.S. Virgin Islands from American Honda or a dealer authorized by American Honda to sell those attachments. This warranty applies to first retail purchaser and each subsequent owner during the applicable warranty time period, unless noted otherwise.

What American Honda Will Repair or Replace Under Warranty:

American Honda will repair or replace, at its option, any part that is proven to be defective in material or workmanship under normal use during the applicable warranty time period. Warranty repairs and replacements will be made without charge for parts or labor. Anything replaced under warranty becomes the property of American Honda Motor Company, Inc. All parts replaced under warranty will be considered as part of the original product, and any warranty on those parts will expire coincident with the original product warranty.

To Obtain Warranty Service:

You must, at your expense, take the Nikkari attachment and proof of purchase to any Honda Power Equipment dealer in the United States, Puerto Rico, or the U.S. Virgin Islands who is authorized to sell and/or service that product, during the dealer's normal business hours. To locate a dealer near you, visit our web site at <http://PowerEquipment.Honda.com> and click on Find a Dealer.

If you are unable to obtain warranty service or are dissatisfied with the warranty service you receive, contact the owner of the dealership involved; normally this will resolve the problem. However, if you should require further assistance, write or call the Power Equipment Customer Relations Department of American Honda Motor Co., Inc. at the following address:

American Honda Motor Co., Inc.
 Power Equipment Customer Relations Dept.
 4900 Marconi Drive
 Alpharetta, GA 30005-8847
 Telephone: (770) 497-6400

Exclusions:

1. Any damage or deterioration resulting from the following:
 - Neglect of the periodic maintenance as specified in the product owner's manual
 - Improper repair or maintenance
 - Operating methods other than those indicated in the product owner's manual
 - A low fluid level or the use of fluids other than specified by Nikkari.
 - Exposure of the product to soot and smoke, bird droppings, sea water, salt, rain, corrosive chemical agents, or extreme weather conditions
 - Collision, fuel contamination or deterioration, neglect, unauthorized alteration, misuse, incorporation or use of unsuitable attachments or parts
 - Normal wear and tear (including, but not limited to, normal fading of painted or plated surfaces, sheet peeling, and other natural deterioration)
2. Consumable parts: Honda does not warrant parts deterioration due to normal wear and tear. The following parts are not covered by this warranty unless they are needed during another repair covered under this warranty: spark plug, fuel filter, air cleaner element, clutch disc, tire, wheel bearing, recoil starter rope, cable, belt, cutter blade, oil, and grease.
3. Cleaning, adjustment, and normal periodic maintenance work (blade sharpening, belt and cable adjustments).
4. Any product that has ever been declared a total loss or sold for salvage by a financial institution or insurer. This exclusion does not apply to any recalls or other campaigns.
5. Tiller tines of roto-tillers are specifically not warranted against impact damage including, but not limited to, abrasive damage.

Disclaimer of Consequential Damage and Limitation of Implied Warranties:

American Honda disclaims any responsibility for loss of time or use of the product, transportation, commercial loss, or any other incidental or consequential damage. Any implied warranties are limited to the duration of this written limited warranty. Some states do not allow limitations on how long an implied warranty lasts and/or do not allow the exclusion or limitation of incidental or consequential damages, therefore the above exclusions and limitations may not apply to you. This warranty gives you specific legal rights, and you may also have other rights, which vary from state to state.

American Honda Motor Co., Inc.
 July 2015

PRODUCT REGISTRATION

Thank you for choosing Honda. To ensure you receive important service information in the event of a product update or recall, please register your hedge trimmer within 30 days of purchase.

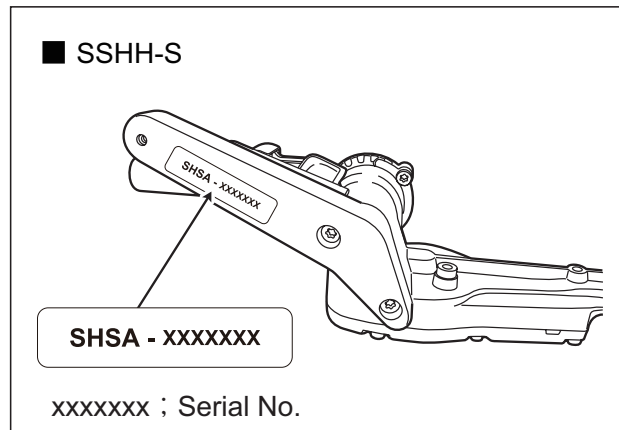
From time to time, American Honda conducts sales promotion that require you to register your hedge trimmer within 30 days of purchase. If you purchased your Honda hedge trimmer during one of these promotions, you must register your hedge trimmer within 30 days.

Your information will remain confidential. It will not be released to any other company or organization.

Failure to register your hedge trimmer does not diminish your warranty rights.

Please complete and mail the postage paid card or register online at <http://powerequipment.honda.com>

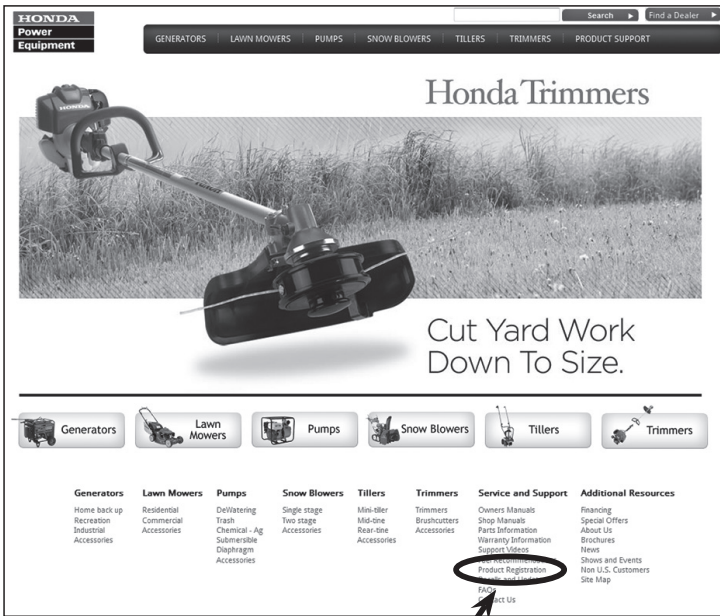
Please register your hedge trimmer attachment, even if you've already registered your UMC425 or UMC435 powerhead.



Print the serial number here.

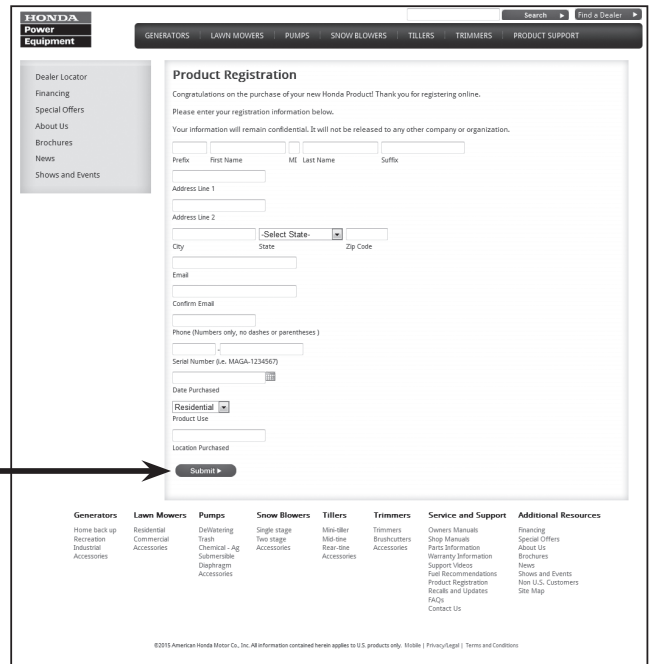
Serial number	* Dealer Store number	* Dealer ZIP code	
<input type="text"/>	<input type="text"/>	<input type="text"/>	
Owner's Last Name	First Name	* If available	
<input type="text"/>	<input type="text"/>	<input type="text"/>	
Company Name (commercial/rental users)	Telephone		
<input type="text"/>	(<input type="text"/>) <input type="text"/> - <input type="text"/>		
Address			
<input type="text"/>			
City	State	ZIP Code	
<input type="text"/>	<input type="text"/>	<input type="text"/> - <input type="text"/>	
E-mail address			
<input type="text"/>			
Date of Purchase	Purchased Via (check one)		
<input type="text"/> - <input type="text"/> - <input type="text"/>	<input type="checkbox"/> In Store	<input type="checkbox"/> Online	
MONTH DAY YEAR			
Application (check one)	<input type="checkbox"/> Commercial (professional use)	<input type="checkbox"/> Non-commercial (private, homeowner use)	<input type="checkbox"/> Rental (for-hire use)

1. Go to www.PowerEquipment.Honda.com to register your unit.



2. Click on **Product Registration**.

3. Complete the required information and click **Submit**.
It's that simple!



Product Registration



NO POSTAGE
NECESSARY
IF MAILED
IN THE
UNITED STATES

BUSINESS REPLY MAIL

FIRST-CLASS MAIL PERMIT NO. 117 ALPHARETTA GA

POSTAGE WILL BE PAID BY ADDRESSEE

Power Equipment Division
American Honda Motor Co. Inc.
4900 Marconi Dr
Alpharetta GA 30005-9956



E1461-0
POM54586