

**NOTE: FOR REFERENCE ONLY.  
USE TEMPLATE INCLUDED WITH THE LARGE CAT DOOR**

**TOP EDGE OF TEMPLATE**

Step 3 – 2 left side and 2 right side 3/8" (1cm) inside corner cut-out starter holes.  
Mark center points with hammer and awl (or nail) then drill holes.

# LARGE CAT DOOR INSTALLATION INSTRUCTIONS AND TEMPLATE

## Tools Required for Installation

**Safety Goggles • Tape Measure • Level • Pencil • Hammer and Awl (or Nail)  
Drill with 3/8" (1cm) Drill Bit • Sabre Saw • Electric Screwdriver with Phillips Bit**

- 1. Template placement** - Measure your pet from floor to shoulder and add 2", the top edge of template should be set no lower than this measurement. Next, measure and mark a point at the center of the door at least 4" (10.16cm) from the bottom and use the level to mark a straight edge at this measurement. Align bottom edge of template to this mark and tape securely in place.

**Important: Under no circumstances should the bottom edge of the template be positioned less than 4" (10.16cm) from the bottom edge of the door.**

- 2. Outline pet door opening** - With template taped in place, use a pencil to draw all around the outside edge of the template onto the door.

- 3. Cutting the opening** - Next, mark center points on the four (4) 3/8" (1cm) inside corner cut-out starter holes with the hammer and nail or awl. Drill all four (4) holes. Remove template. Begin with one of the inside corner cut-out starter holes and use the sabre saw to cut all around the outside edge pencil line. Remove the cutout section.

- 4. Assembly and adjustments (see diagram)** - Insert outer frame (A) into opening from exterior side (frame must be flush with door surface). Place inner frame (B) into opening from interior side and hold in place. Install screws (C) and tighten until snug. **Do not over-tighten.**

**Adjustable flap operation** - Using the Red Adjustment Dial (D) located on door's lower inner frame (B), adjust to match desired operation as indicated on door. IN ONLY, LOCK, OUT ONLY and OPEN. (See picture detail at right)

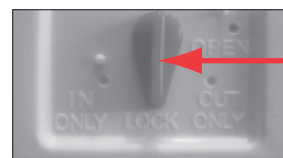
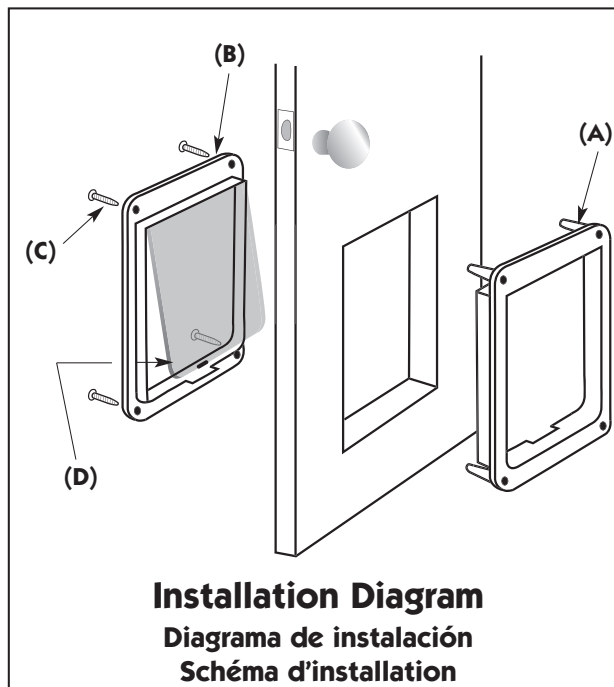
Learn More...



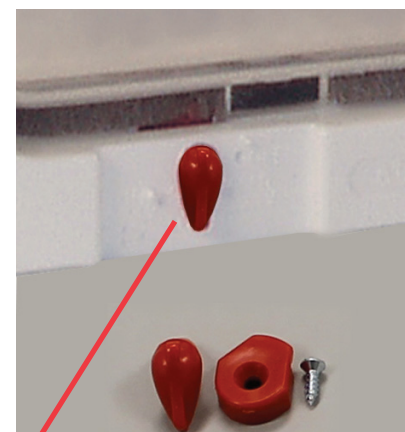
As with any home improvement project, if you do not have the tools or skills to properly install your pet door, we suggest using a professional handyperson or licensed contractor.

**BOTTOM EDGE OF TEMPLATE**

Part# TK-HKCKTEMP Rev.C-414



Red Adjustment Dial



**You can adjust the Red Adjustment Dial mechanism simply by removing the 2 frames from the door and gently tightening the set screw. Do Not Over-tighten.**