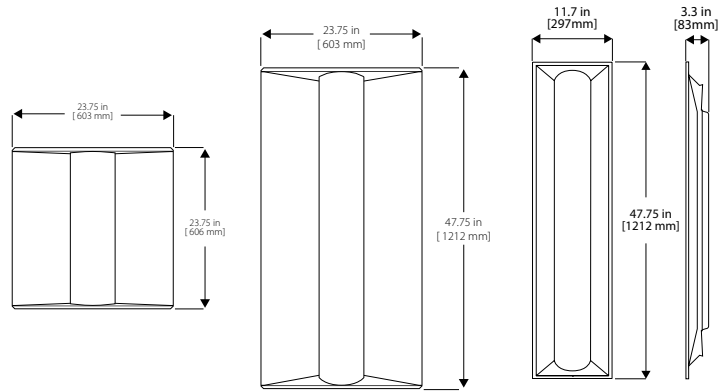


T3A

LED ARCHITECTURAL TROFFER



DIMENSIONS



The T3A Architectural LED Troffer provides an economical, easy-to-install upgrade from linear fluorescent lighting to a long-lasting and energy-efficient LED solution. The contemporary center lens design delivers a soft natural glow with even illumination and minimized glare making it an attractive general-purpose ambient lighting solution. The T3A also features a pre-mounted driver with a high efficiency, maintenance-free, LED chamber and is available in 1x4, 2x2 or 2x4 configurations. Whether it's a school, hospital, airport, office or convenience store, NICOR LED troffers bring a stylish and economical lighting solution to all commercial, educational, medical, and retail applications.

FEATURES

- Can be installed in conventional suspended grid ceiling or drywall with an optional adaptor
- Certified for direct contact with insulation
- Driver delivers full-range dimming from 0 - 10V
- Operating temperature rating of 0°F to 100°F (-18°C to 38°C)
- Features a pre-mounted driver for contractor friendly installation
- Durable steel construction
- Smooth formed sides for safe handling
- Integrated white trim with powder coat finish
- TM-21 Calculated L70(10k) rated for greater than 76,000 hours
- LM-79, LM-80 testing performed in accordance with IESNA standards

PRODUCT SPECIFICATIONS

Series	Input Voltage (VAC)	Delivered Lumens (Lm)	System Level Power (W)	System Efficacy (Lm/W)	Color Rendering Index (CRI)
T3A-24-S-MV-40-EM	120-277	4650	49	95	95

ORDERING INFORMATION

Series	Size	Style	Voltage	CCT's	EM
T3A	14 (1' x 4')	S	MV (120-277)	35 (3500)	EM (Emergency Battery)
	22 (2' x 2')			40 (4000)	
	24 (2' x 4')			50 (5000)	

