

Outdoor Light Installation Instructions

⚠ WARNING:

1. To avoid fire, shock, or death, disconnect power at circuit breaker or fuse before the installation.
2. If you are unsure about the installation or maintenance of the Outdoor Lights, please consult a qualified electrician.

⚠ SAFETY:

1. Please read all warnings and instructions before installation.
2. The fixture must be wired in accordance with the National Electric Code and applicable local codes or ordinances.
3. To insure personal safety, proper grounding is required.

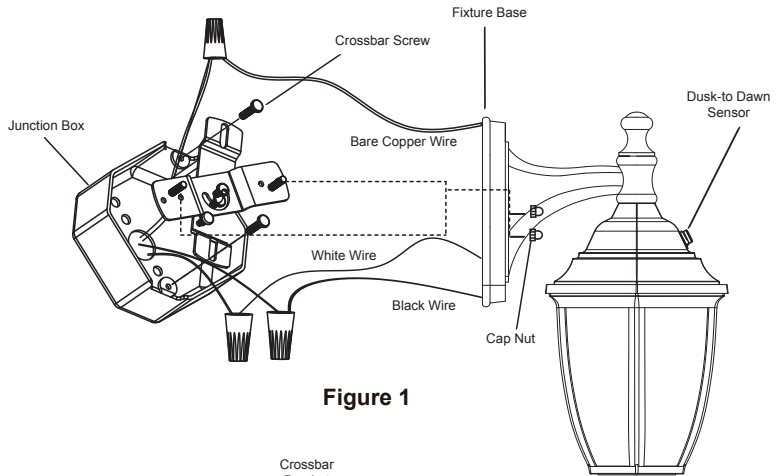


Figure 1

INSTALLATION NOTES:

1. This fixture should not be used in areas with limited ventilation or high ambient temperature exceeding 45°C.
2. Fixture cannot be used with a dimmer switch, motion sensor and other electronic switching devices.

INSTALLATION LOCATION:

This fixture must only be wall-mounted. Be certain that the receiving junction box is well secured and can support the weight of the lamp.

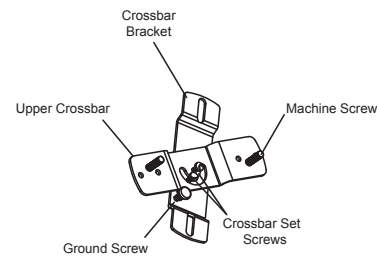
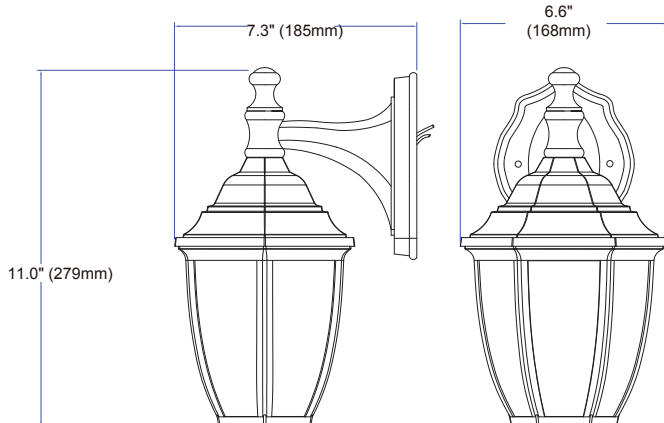


Figure 2

PRODUCT DIMENSIONS:



INSTALLATION INSTRUCTION:

CAUTION: Read WARNING and SAFETY Notes before beginning installation

Please refer to Figure 1 and Figure 2 while following installation instructions.

1. Make sure POWER is turned OFF at the circuit breaker box or remove fuse.
2. Carefully disconnect and remove the old light fixture if applicable.
3. Using the (Qty. 2) CROSSBAR SCREWS provided, mount the CROSSBAR BRACKET into the JUNCTION BOX.
4. Locate and retrieve the supply wires from the JUNCTION BOX.
 - a. Connect the white wire from the fixture to the NEUTRAL wire in the JUNCTION BOX (typically white).
 - b. Connect the black wire from the fixture to the HOT wire in the JUNCTION BOX (typically black).
 - c. Connect the bare copper wire to the GROUND wire in the JUNCTION BOX (typically bare). If the GROUND wire is not present in the JUNCTION BOX, connect the bare copper wire to the green GROUND SCREW on the CROSSBAR BRACKET which must be connected to GROUND for safety.
5. Adjust the UPPER CROSSBAR to be in a horizontal position and securely tighten both CROSSBAR SET SCREWS.
6. Insert the (Qty. 2) MACHINE SCREWS on the UPPER CROSSBAR through the holes in the FIXTURE BASE and tighten by using the (Qty. 2) CAP NUTS. Make sure that the fixture is tightly secured against the wall. If the fixture is loosely mounted or if the CAP NUTS cannot be tightened completely, it can be fixed as follows:
The (Qty. 2) MACHINE SCREWS on the UPPER CROSSBAR can be adjusted by loosening their nuts (not seen in figures above) and then screwing them in or out to alter the length of MACHINE SCREWS sticking out from the UPPER CROSSBAR. Once the adjustment appears correct, lock the MACHINE SCREWS in place with their nuts and then secure the fixture tightly against the wall by using the (Qty. 2) CAP NUTS.
7. Turn power ON at circuit breaker (or replace fuse) and confirm that the fixture is functioning properly. Completely cover the DUSK-TO-DAWN SENSOR for a few seconds and confirm that the fixture lights up.
8. Once functionality is confirmed, consider use of waterproof glue or silicone caulk to seal the FIXTURE BASE to the wall surface to ensure that the fixture is completely waterproof. If water enters the junction box, it may damage the fixture and/or building/residence.

PRODUCT SPECIFICATION:

Part Number: MEL-6150W
Input Voltage: 120 VAC
Amp Draw: 0.06 A
Frequency: 60 Hz
Rated Power: 6W
Suitable for: Wet Locations

THREE YEAR WARRANTY:

Maxxima extends a 3 year limited warranty to the original purchase that the products listed are free from defects in material and/or workmanship only. Maxxima will replace any warranted product to the original consumer/purchaser if the product fails because of defects due to workmanship and/or materials within the limited warranty period. Limited warranty is not transferable and applies to the original installation of the Maxxima product. This offer does not constitute in any way a product guarantee and Maxxima does not hereby assume any obligation whatsoever beyond sending a free replacement product.