



Harvia Heater Installation Guide



Revised April 2017



Almost Heaven Saunas®

THE AUTHENTIC SAUNA EXPERIENCE

Your Almost Heaven Sauna includes a genuine Finnish heater that is manufactured by Harvia Oy, the world leader in exceptional sauna heaters. This brief guide is intended to supplement the manufacturer's manual and will give you simple instructions on how to install the Harvia heater in your Almost Heaven Sauna. A licensed electrician should perform all electrical work, and Almost Heaven Saunas is available to assist with any questions you or your electrician may have. You may contact us at 888.355.3050 or 304.497.3991 for technical assistance.

4.5kw and 6.0kw Heaters

- 30-amp double pole breaker
- 10/2 wire if under 30' from power source; 8/2 wire if over
- Hard wire directly to heater
- Do not use GFCI with this heater
- Use copper wire with 90°C insulation

8.0kw Heaters

- 40-amp double pole breaker
- 8/2 wire
- Hard wire directly to heater
- Do not use GFCI with this heater
- Use copper wire with 90°C insulation

1. After unpacking your Harvia heater, detach the stone guard from the top by removing the two screws that attach it to the backside of the heater. After the screws are removed, hold the stone guard at the front of the heater and pull up firmly and quickly. The guard will release from the heater and will be reattached in the same way after the stones are inserted.



Screw Location

2. Drill hole to bring power to sauna heater. A typical location would be on the wall below and behind where the heater will be mounted, but the wire can come in at any point most convenient and accessible to the power source. Bring conduit into sauna in compliance with local electrical codes. (Heater will be centered over the vent holes near the floor of the sauna.)



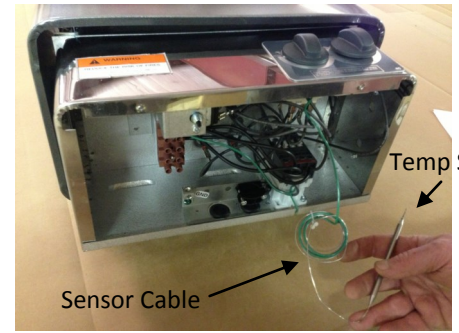


3. The temp sensor housing is attached to the heater element with a zip tie. Clip the zip tie and remove the sensor housing from the heater. Set aside the temp sensor housing for now.



Temp Sensor

4. Turn the heater on it's back and remove the bottom cover to expose the temp sensor.



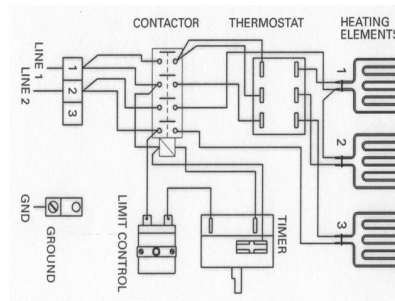
Sensor Cable

Temp Sensor

5. Remove the temp sensor and carefully uncoil the sensor cable that is attached to the sensor.



6. Find the wire opening slot and place the coated portion of the sensor wire through the slot. This will allow the sensor to be placed on the back wall of the sauna.



7. Wire the heater according to the diagram. All wiring should be done by a licensed electrician. Replace bottom cover once wiring is complete.



Heater Fence

8. Mount the heater with screws provided so that the bottom of the heater is 7" from the lowest point of the sauna room floor. Install the heater fence below the level of the sauna stones.

9. At this point, it's time to switch on the heater, so turn on the breaker. There is a non-toxic coating on the heater elements, and the purpose of this preliminary heating stage is to burn that coating away. It is normal for smoke to appear, so keep the door open to prevent it from leaving a black residue on the ceiling. Run the heater for 3-5 minutes or until it stops smoking, and then turn it off and allow the elements to cool.

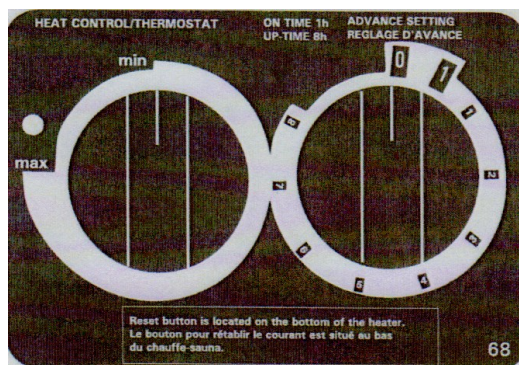
TIMER OPERATION

To turn the heater on, turn the On|Off and Timer dial clockwise past the small "1" and then back slowly to the large "1" until you hear a click. The sauna heater should now begin heating and will do so for one hour and then automatically shut off. Repeat this step if you wish to have the heater continue heating after it shuts off.

The On|Off control also functions as an 8-hour delay timer. You can set the heater to come "on" up to 8 hours later. If you wish to have the heater turn on in two hours, turn the timer clockwise to the small "2". The heater will then begin heating in two hours. Follow the same procedure for delayed startup up to eight hours in advance.

Since the heater will always shut off after one hour, you may need to turn the heater on again while in the sauna. Never stay in the heated sauna for extended periods of time. Consult the safety instructions in the heater manual before using the sauna.

Temperature control



On|Off and Timer



10. Fill the heater with provided stones. NOTE: Only use the stones provided with your heater and never operate the heater without stones. Wash the stones with water and then place between and around the heating elements. The stones will touch the elements but should not be forced into place. Use the smaller stones first; FILL UNTIL STONES COVER THE ELEMENTS COMPLETELY. You may not need all of the stones.

NOTE: Stones should be placed loosely within the heater so that there is good heat circulation around and through them. The stones should cover the heating elements, but you want to be able to see them a little bit to verify that they are turning red. Pouring water over over-exposed elements could cause heater damage.



11. Mount the metal temp sensor housing vertically on the wall and 12" to the right or left of the heater. **For barrel-shaped saunas:** Mount the housing so that the top is 4.5" below the upper horizontal wall support. **For a box-shaped saunas:** Mount the housing 15" down from the ceiling.



12. Conceal the temp sensor by mounting the sensor cover. Place the cover over the temp sensor and mount with a single screw that is provided. Carefully position the trim over the sensor cable so that the cable is concealed within the groove of the trim piece. Attach trim to wall with included finish nails.

13. TESTING THE SAUNA HEATER

Turn the temperature control to the desired setting. Generally the heater will be operated with the temperature control to the "max" setting. Turn the heater "on" according to the TIMER OPERATION instructions on the previous page. Within 5 minutes you should be able to feel heat from the heater elements when holding your hand over the heater. (If heater does not heat, refer to troubleshooting information on the following page.) Be sure to let the sauna heat for at least one hour before using the sauna.

TROUBLESHOOTING

1. If sauna heater does not operate after initial installation and wiring

- Check breaker to be sure it is on.
- Be sure timer is set properly and is “on”. (Step #9)

2. If sauna heater operates but sauna room does not come up to temperature

- Check to be sure breaker is on.
- Check to see that the timer has not wound down. If so, reset.
- Are the stones placed loosely around the elements? Stones packed too tightly can restrict airflow and reduce heating capacity.
- Check for heat loss. Are the high vents closed? Are the floor drains plugged? Are the hinges of the door tight?
- Check high limit reset button below heater.

3. If sauna heater has been in operation but then ceases to operate.

- Allow at least 30 minutes for sauna to heat up.
- Is the thermometer/hygrometer located on the wall opposite the heater, 12” down from the top of the sauna room? Temperature readings will vary, but the proper place to measure the temperature is about 12” from the top of the room.
- Was the proper wire size and amp size used?

HIGH LIMIT CONTROL

Your Harvia Heater is equipped with a built-in high-limit control, which is a safety device. If an abnormal heating condition should occur, the heater will automatically shut off. Once the room is cooled, manually reset the heater by pushing the reset button.

To reset the high-limit, locate the reset button on the bottom front of the heater. Push the button upwards until you hear a click, which indicates that the heater is again activated. If the reset button continues to trip, give us a call at 304-497-3991. Be sure a GFCI was NOT installed.

