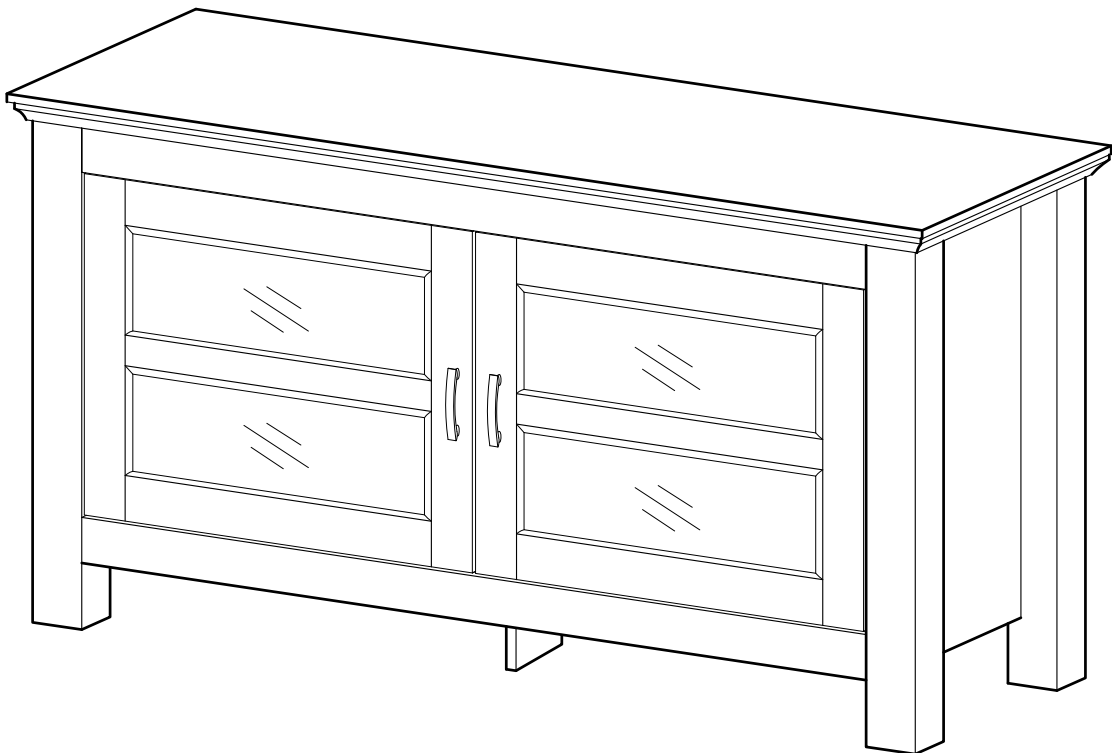


**WE** Walker  
Edison  
furniture company

ITEM # : W44CFDBL  
ASSEMBLY INSTRUCTION

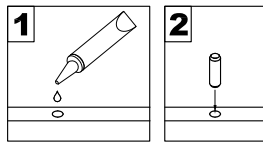


*For our most up-to-date instructions, to request missing, lost, or broken parts, or for any other Customer Service issues, please visit our website at [www.walkeredison.com](http://www.walkeredison.com) or call us at 877-207-5906.*

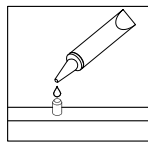
Revised 09/2011

# General Assembly Guidelines

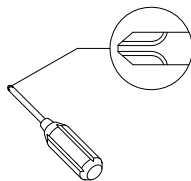
- I. Ensure that all parts and hardware are available before beginning assembly.
- II. Follow each step carefully to ensure the proper assembly of this product.
- III. Two people are recommended for ease in the assembly of this product.
- IV. The main types of hardware used to assemble this product are: wood dowels, cam bolts and locks, bolts and screws.
- V. The provided glue is to secure wood dowels in place. When first inserting dowels, locate the appropriate hole for the dowel, place a small amount of glue in the hole and insert the dowel. Wipe away excess glue immediately.



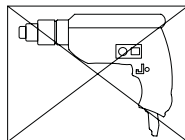
In future assembly steps when dowels are necessary to attach assembly parts together, place a small amount of glue on the end of the dowel before attaching parts together. Wipe away excess glue immediately.



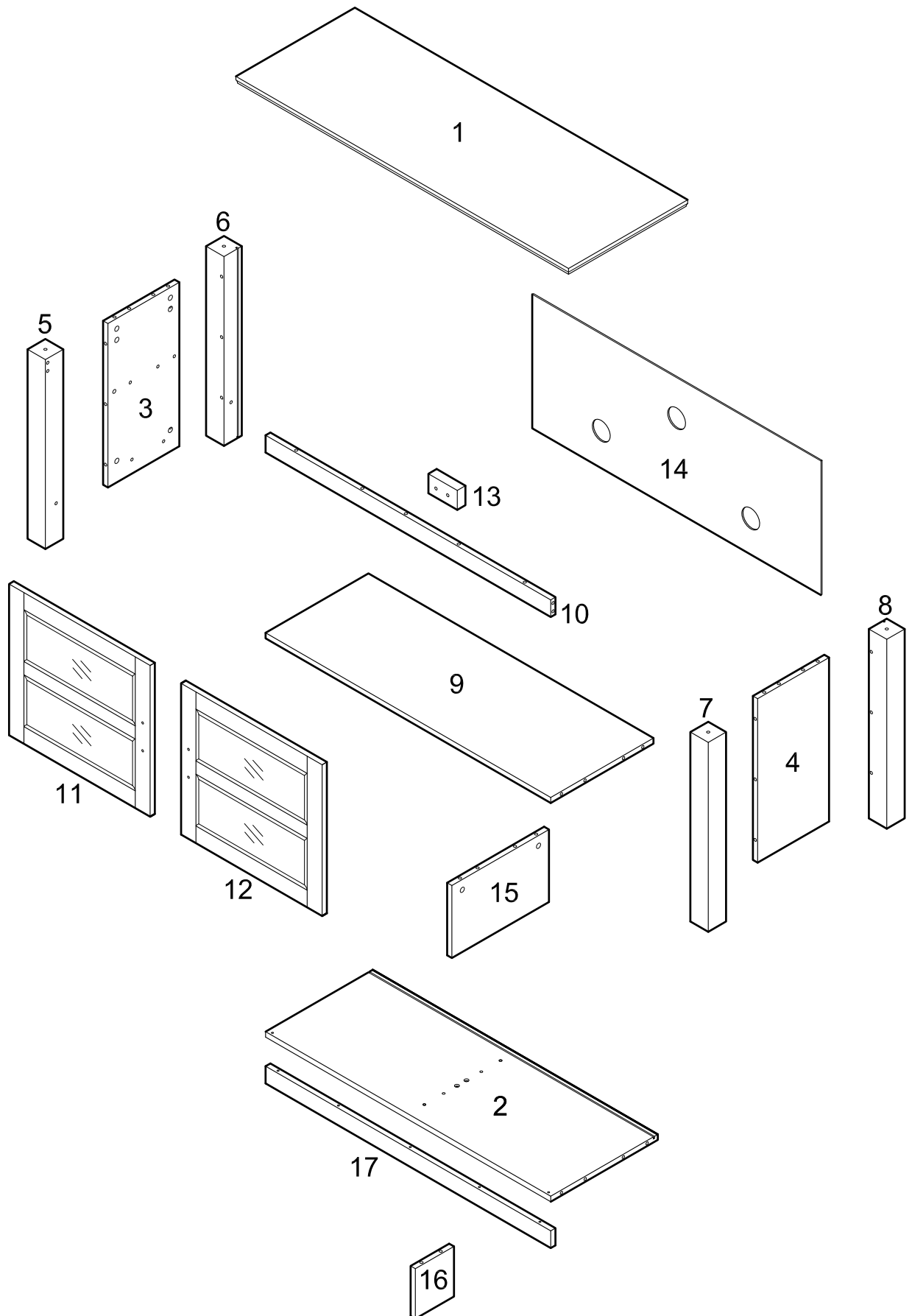
- VI. A Phillips head screwdriver is required for the assembly of this product.




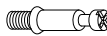

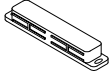

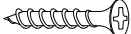
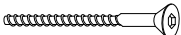
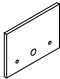

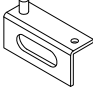
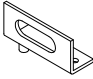
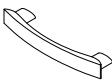
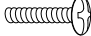


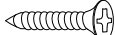



- VII. Power tools should not be used to assemble this product.



# Parts List

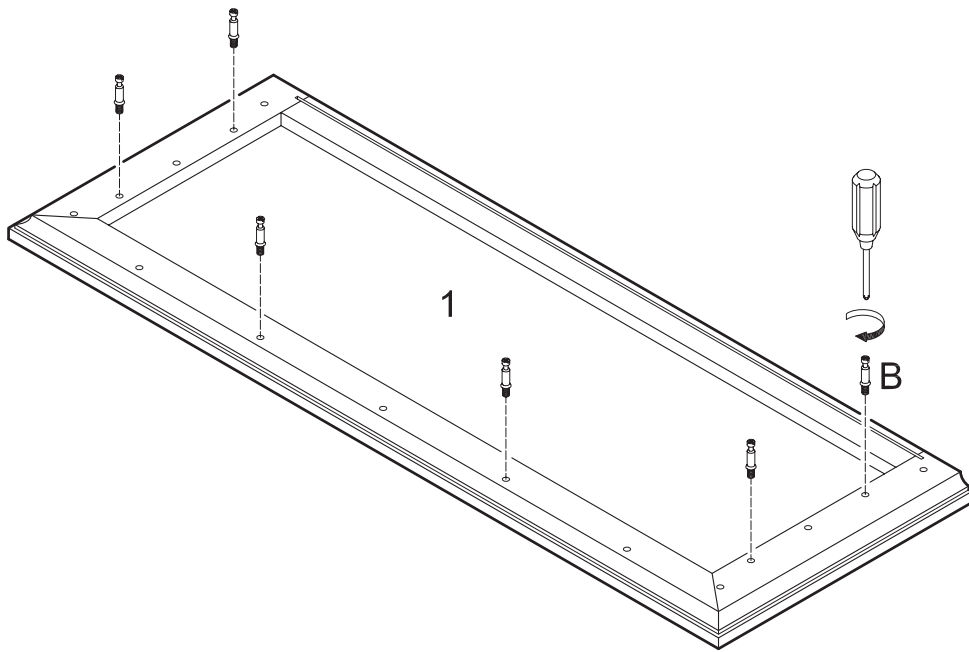


## Hardware List

A		Ø8x30mm	Wooden dowel	31 pcs
B		Ø6x35mm	Cam bolt	31 pcs
C		Ø15x12mm	Cam lock	31 pcs
D			Door stopper	1 pc
E		Ø3x15mm	Screw	2 pcs
F		Ø4x30mm	Screw	2 pcs
G		Ø6x50mm	Bolt	2 pcs
H		30x20mm	Metal piece	2 pcs
J		Ø3x12mm	Screw	10 pcs
K		40x15.5x15mm	Door Hinge	2 pcs
L		40x15.5x15mm	Door Hinge	2 pcs
M			Handle	2 pcs
N		Ø4x22mm	Bolt	4 pcs
P		Ø9.5x12mm	Plastic pivot	4 pcs
Q			Plastic wedges	8 pcs
R		Ø3x17mm	Screw	8 pcs
S		M4	Wrench	1 pc
T			Glue tube	2 pcs
U		Ø25mm	Sticker	31 pcs

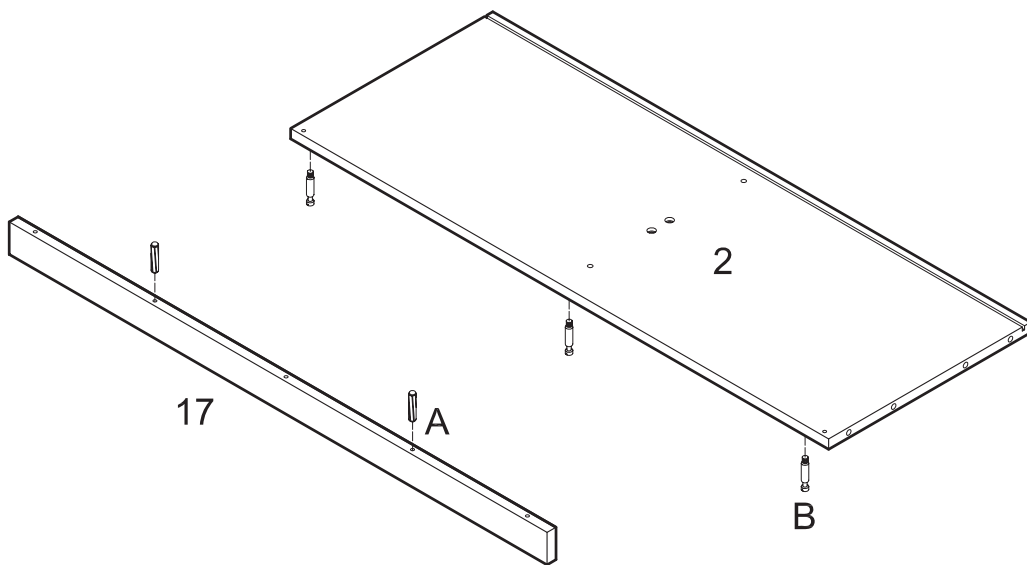
*The hardware quantities listed above are required for proper assembly.  
Some extra hardware may also have been included.*

# Step 1



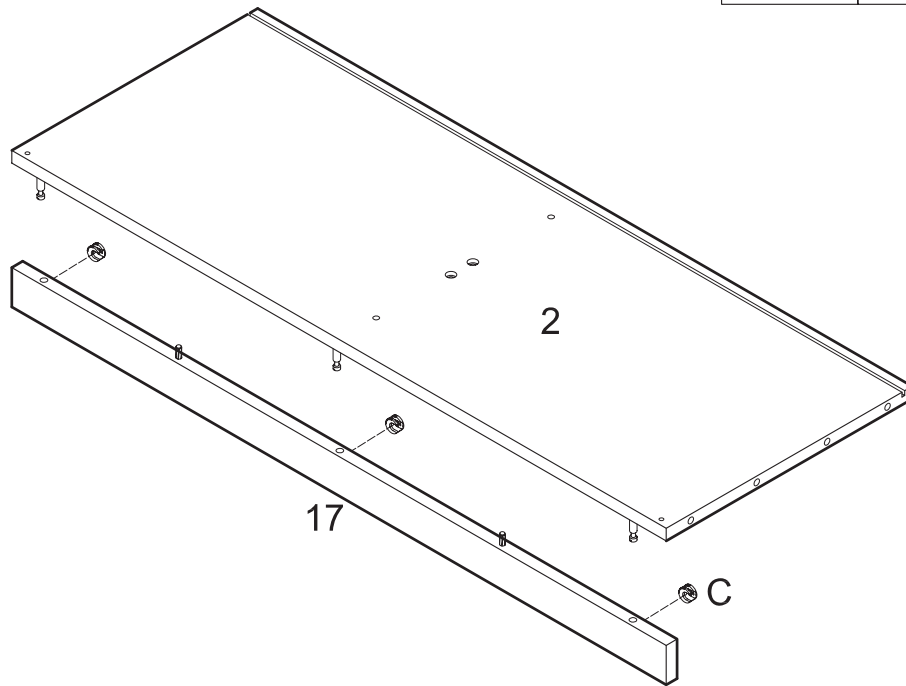
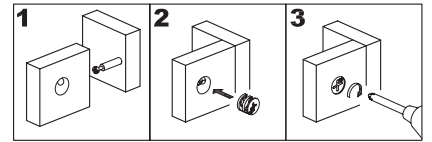
Screw cam bolts (B) into stand top (1).

# Step 2



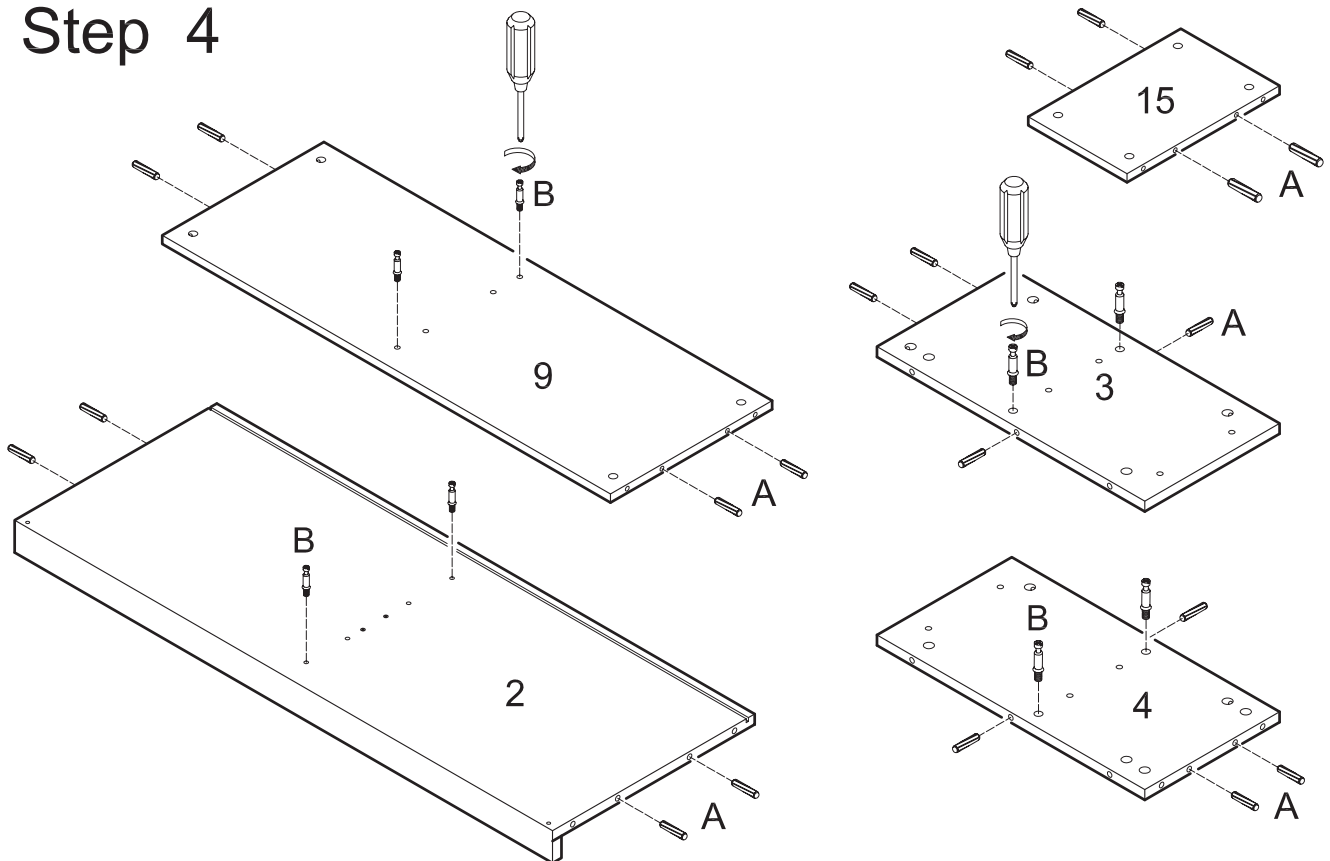
Screw cam bolts (B) into panel (2). Insert dowels (A) into slat (17).

# Step 3



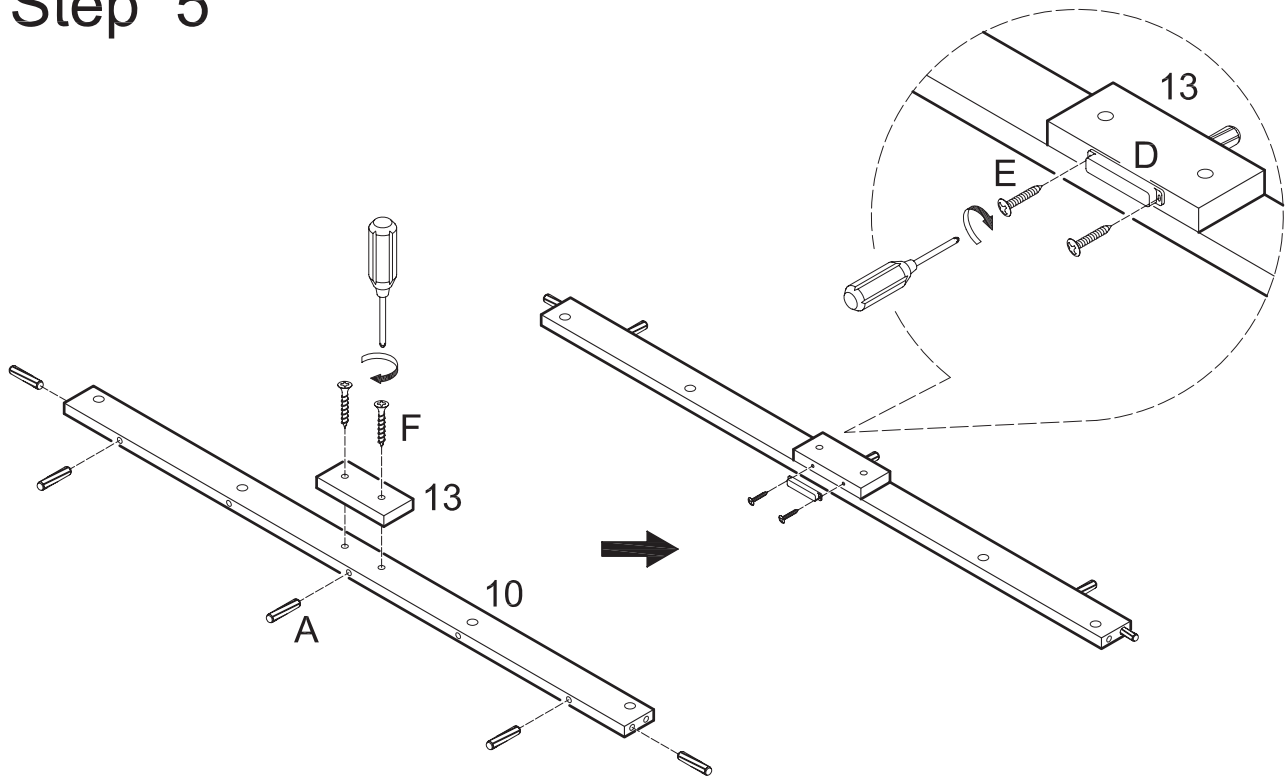
Attach slat (17) to panel (2) using cam bolts and dowels as guides. Insert cam locks (C) into slat (17) and tighten with a screwdriver.

# Step 4



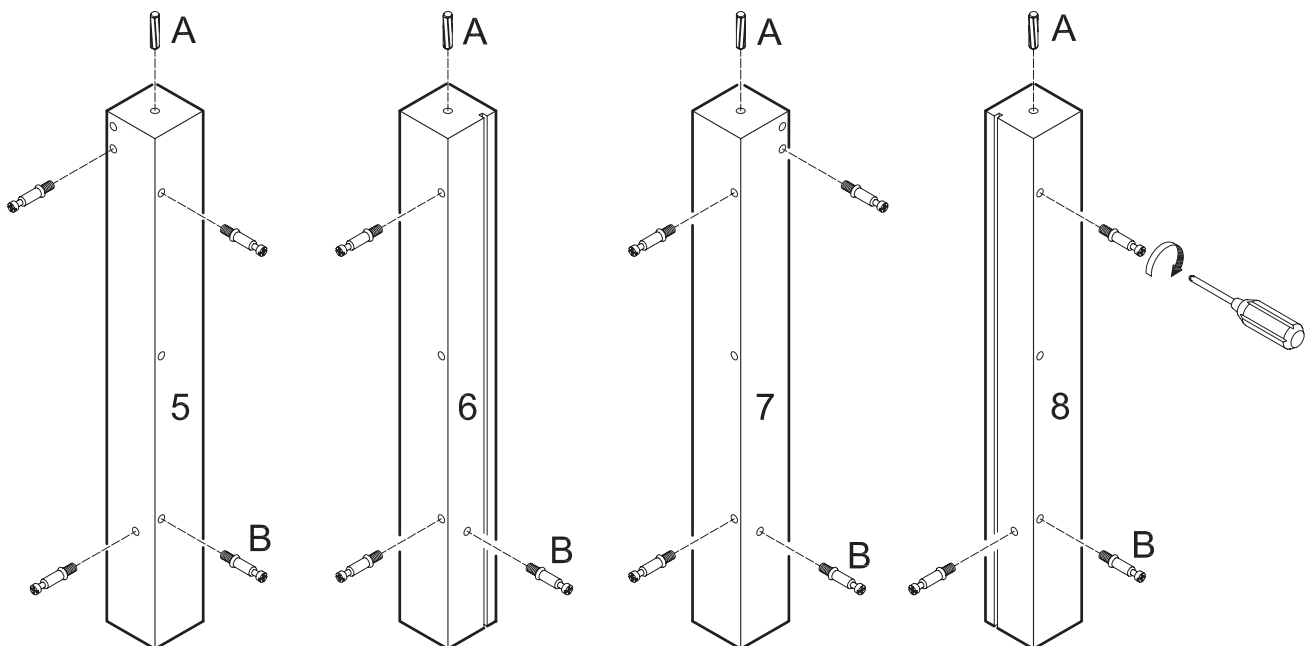
Insert dowels (A) into panels (2,3,4,15) and shelf (9). Screw cam bolts (B) into panels (2,3,4) and shelf (9).

## Step 5



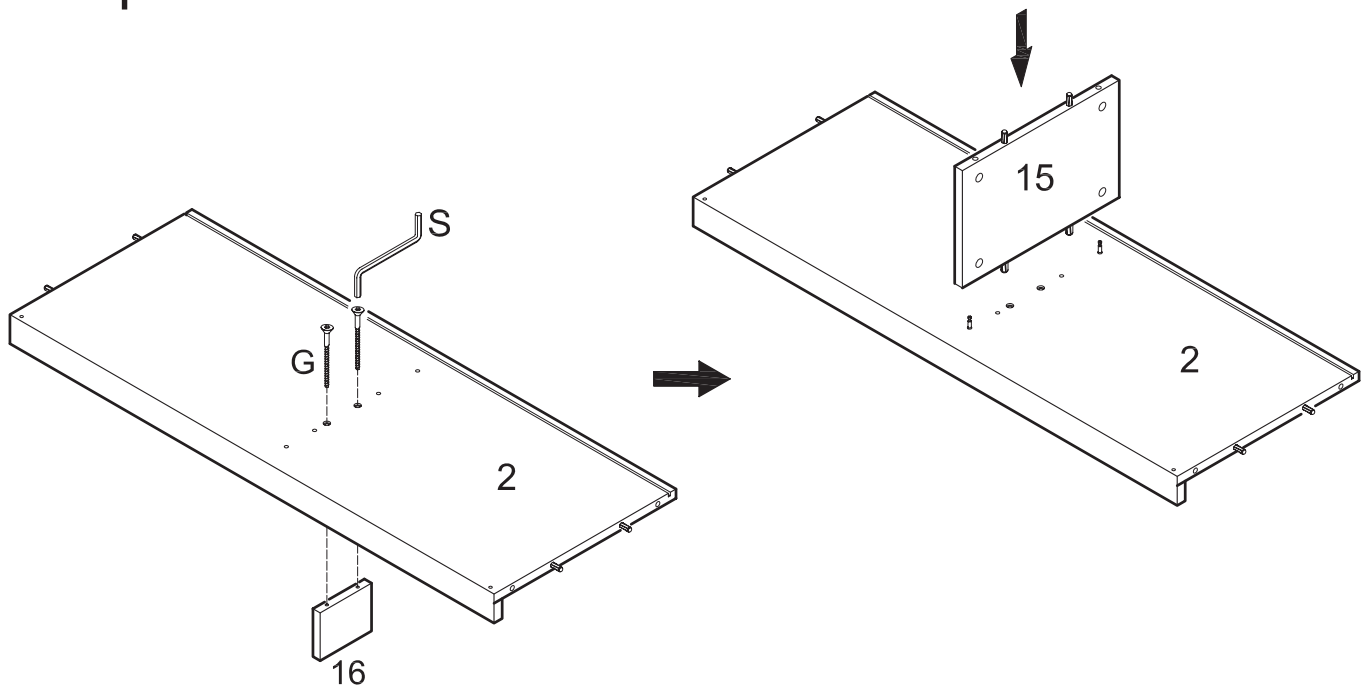
Insert dowels (A) into slat (10). Attach block (13) to slat (10) using screws (F). Attach door stopper (D) to block (13) using screws (E).

## Step 6



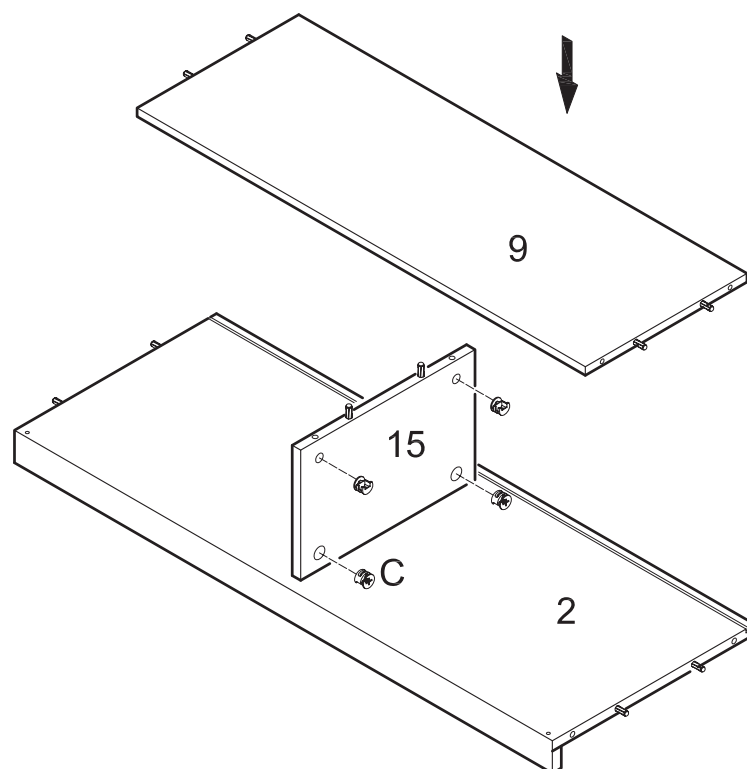
Screw cam bolts (B) into legs (5,6,7,8). Insert dowels (A) into legs (5,6,7,8).

## Step 7



Attach support leg (16) to panel (2) using long bolts (G). Tighten long bolts (G) with wrench (S). Attach panel (15) to panel (2) using cam bolts and dowels as guides.

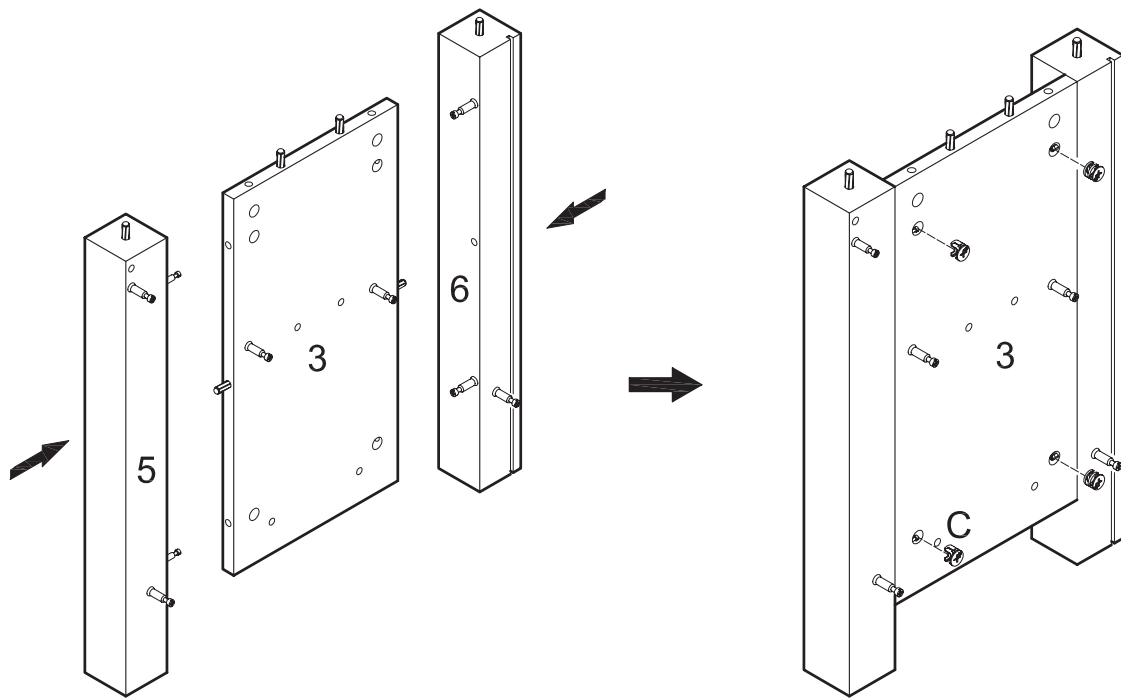
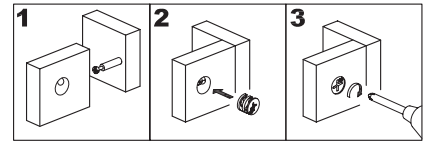
## Step 8



Insert cam locks (C) into panel (15). Attach shelf (9) to panel (15) using cam bolts and dowels as guides. Tighten cam locks (C) with a screwdriver.

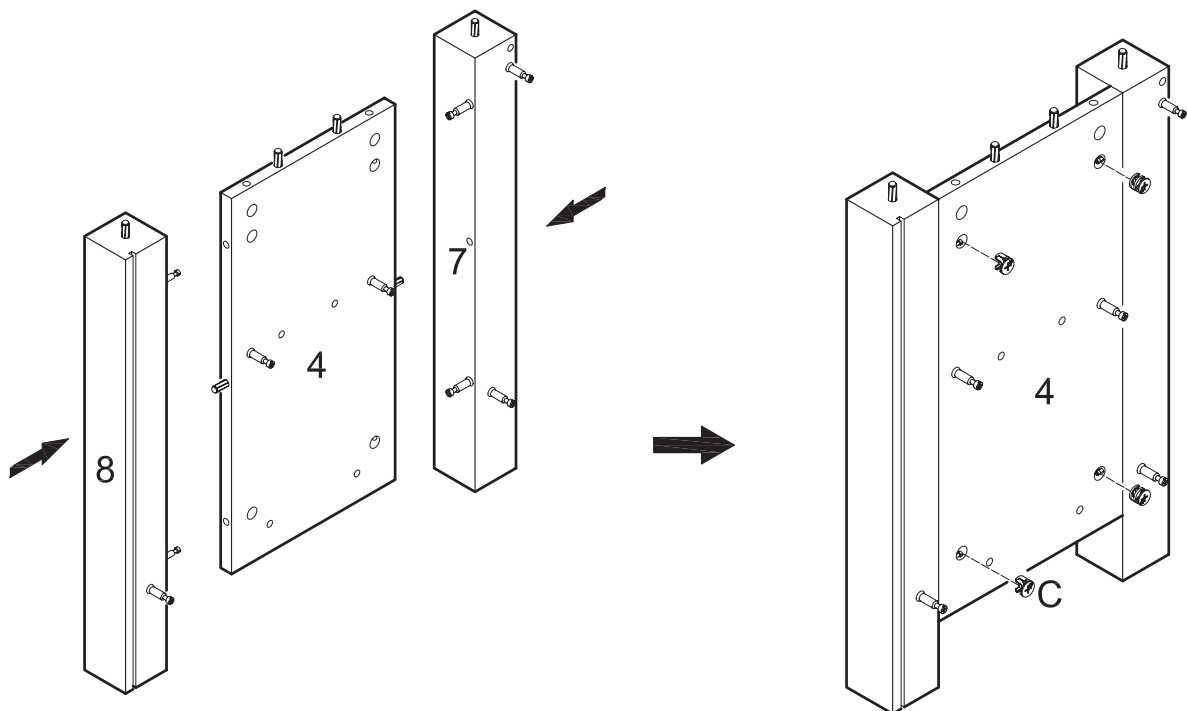
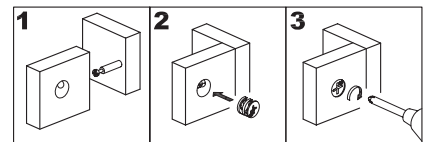


## Step 9



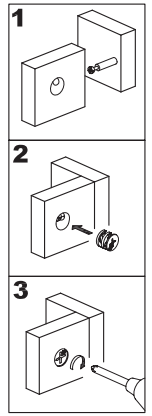
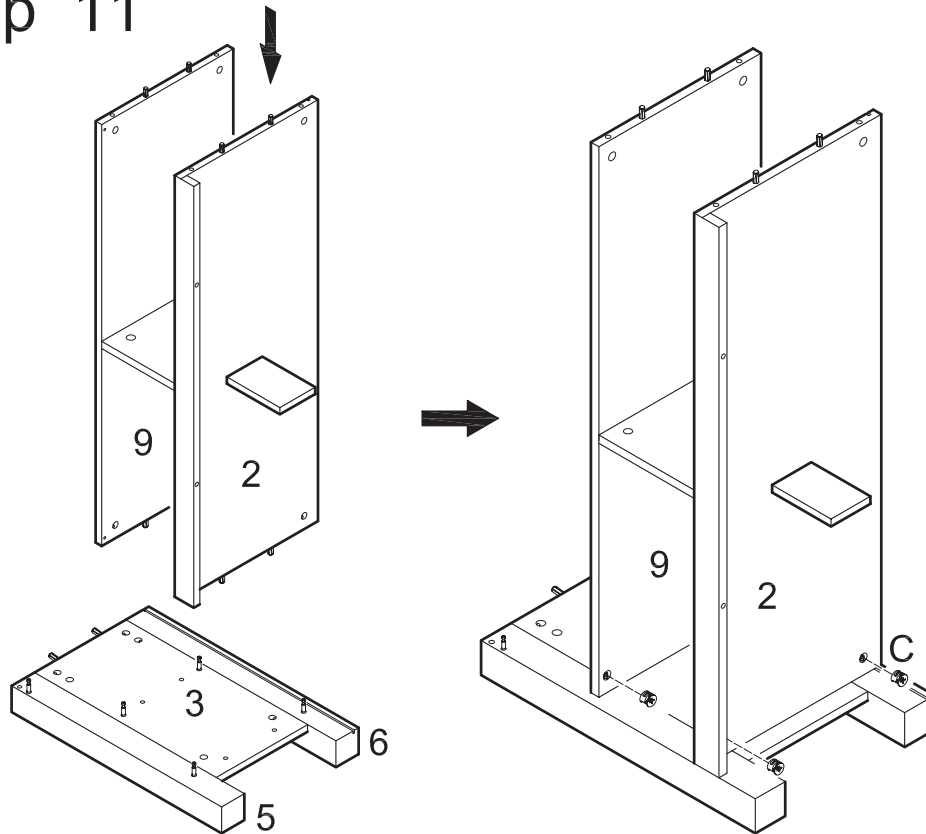
Attach legs (5,6) to panel (3) using cam bolts and dowels as guides. Insert cam locks (C) into panel (3) and tighten with a screwdriver.

## Step 10



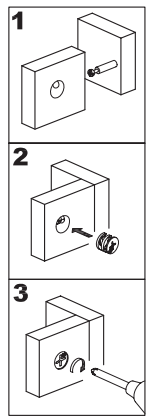
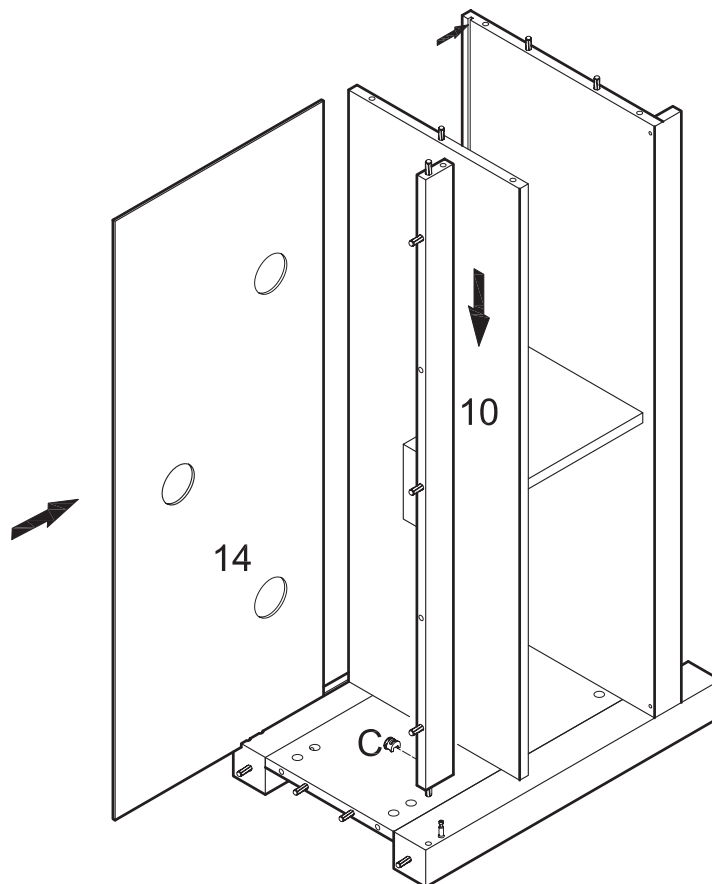
Attach legs (7,8) to panel (4) using cam bolts and dowels as guides. Insert cam locks (C) into panel (4) and tighten with a screwdriver.

## Step 11



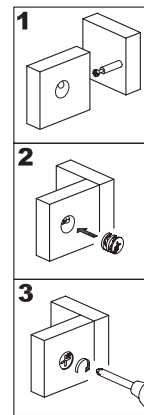
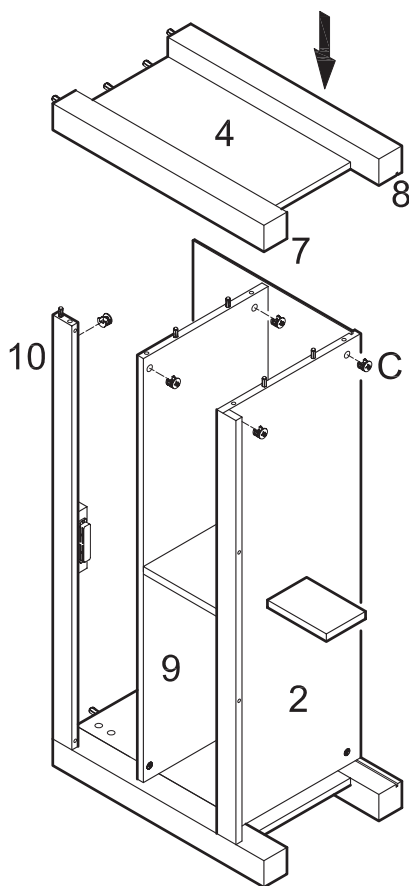
Attach the panel (2,9) assembly to the panel (3) assembly using cam bolts and dowels as guides. Insert cam locks (C) into panel (2) and shelf (9) and tighten with a screwdriver. *Two cam locks (C) will be inserted into panel (2) and into shelf (9).*

## Step 12



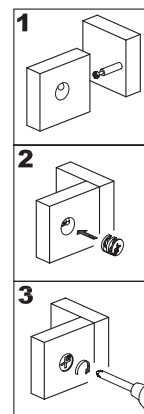
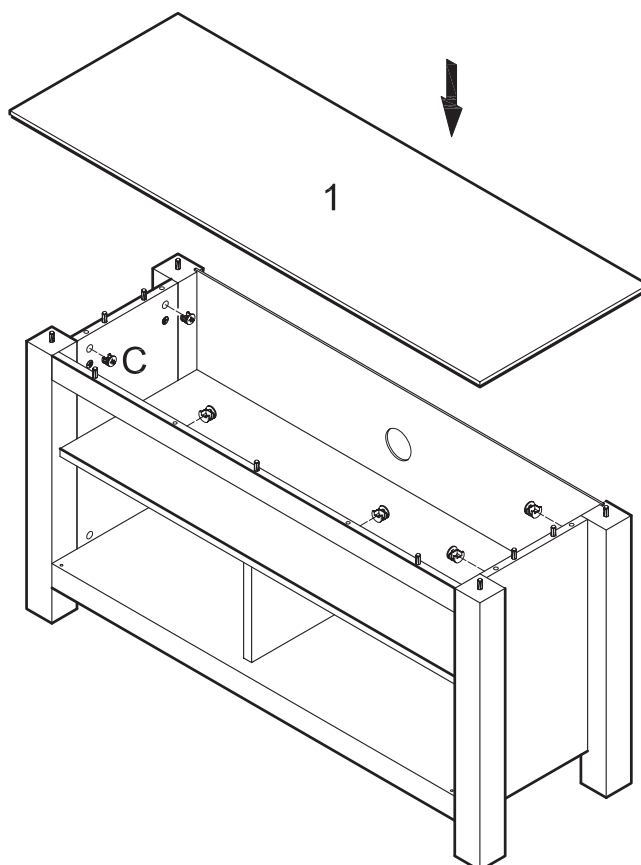
Attach slat (10) to the assembly from the previous step using cam bolt and dowel as guides. Insert cam lock (C) into slat (10) and tighten with a screwdriver. Slide back panel (14) into place along the grooves at the back of the frame assembly.

## Step 13



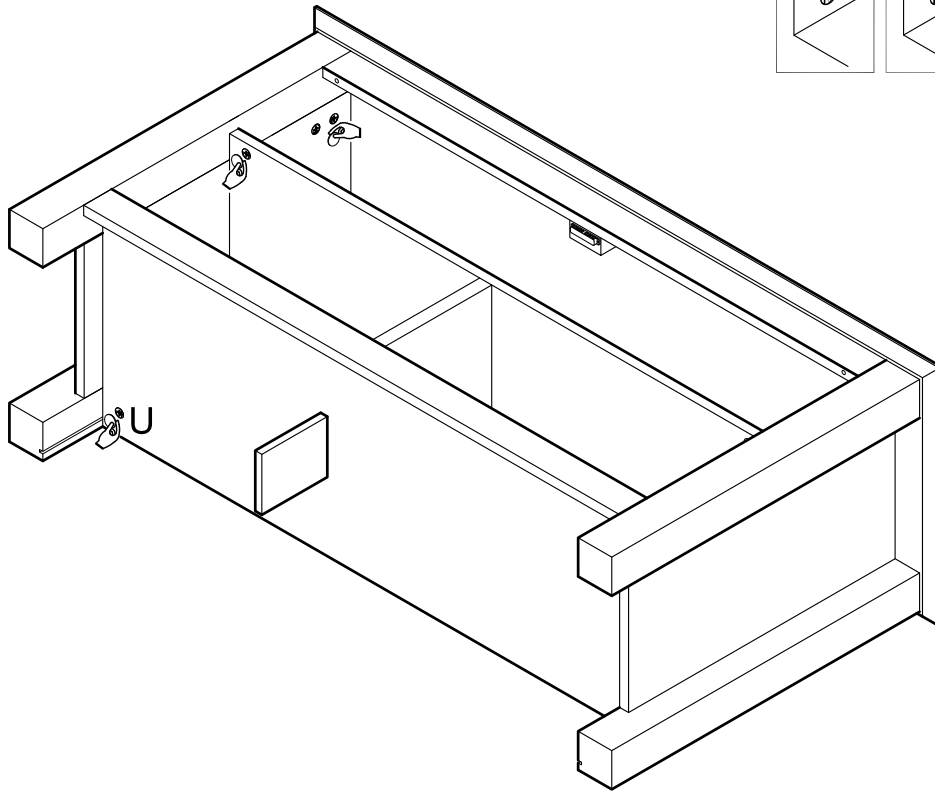
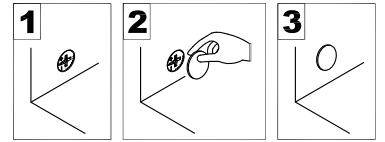
Attach the panel (4) assembly to panel (2), shelf (9) and slat (10) using cam bolts and dowels as guides. Insert cam locks (C) into panel (2), shelf (9) and slat (10) and tighten with a screwdriver.

## Step 14



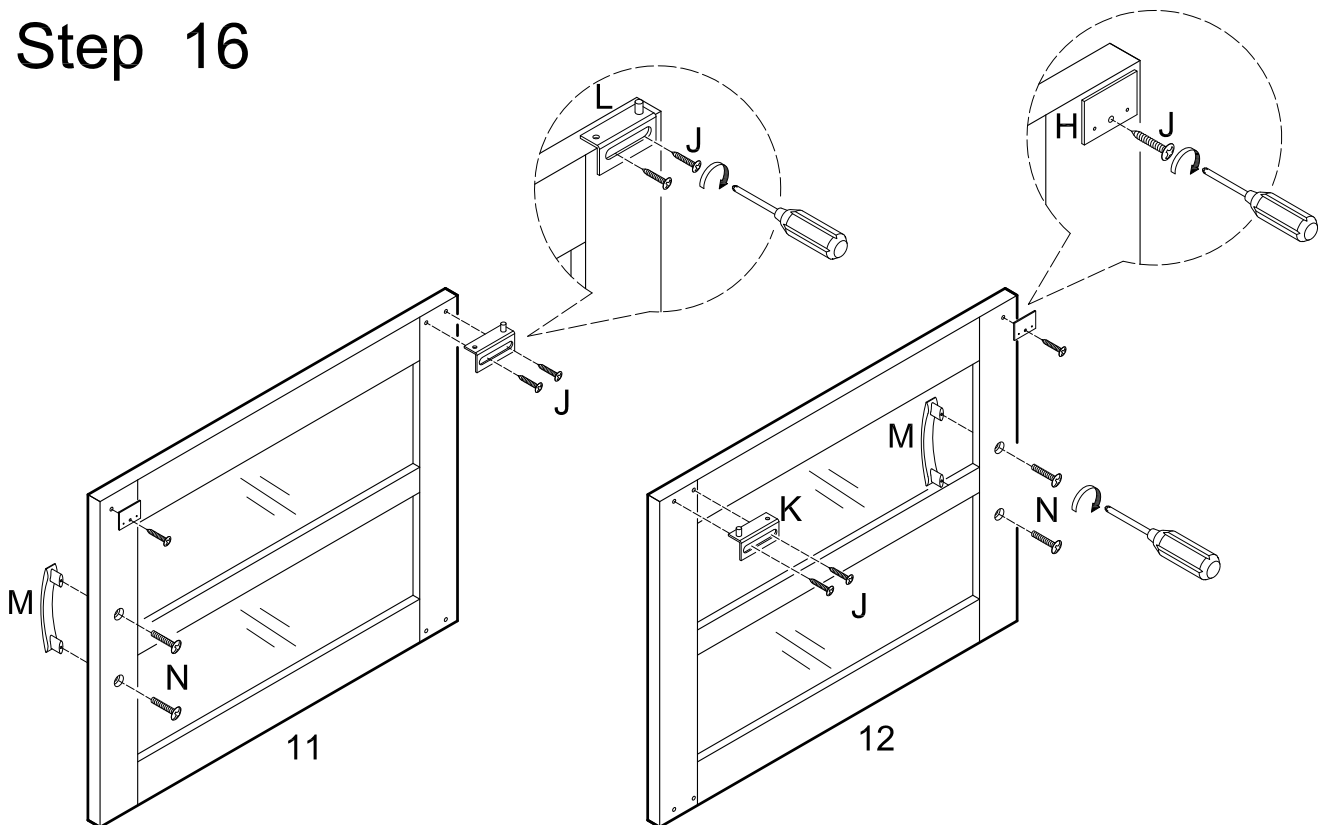
Insert cam locks (C) into the frame assembly. Attach stand top (1) to the frame assembly using cam bolts and dowels as guides. Tighten cam locks (C) with a screwdriver.

# Step 15



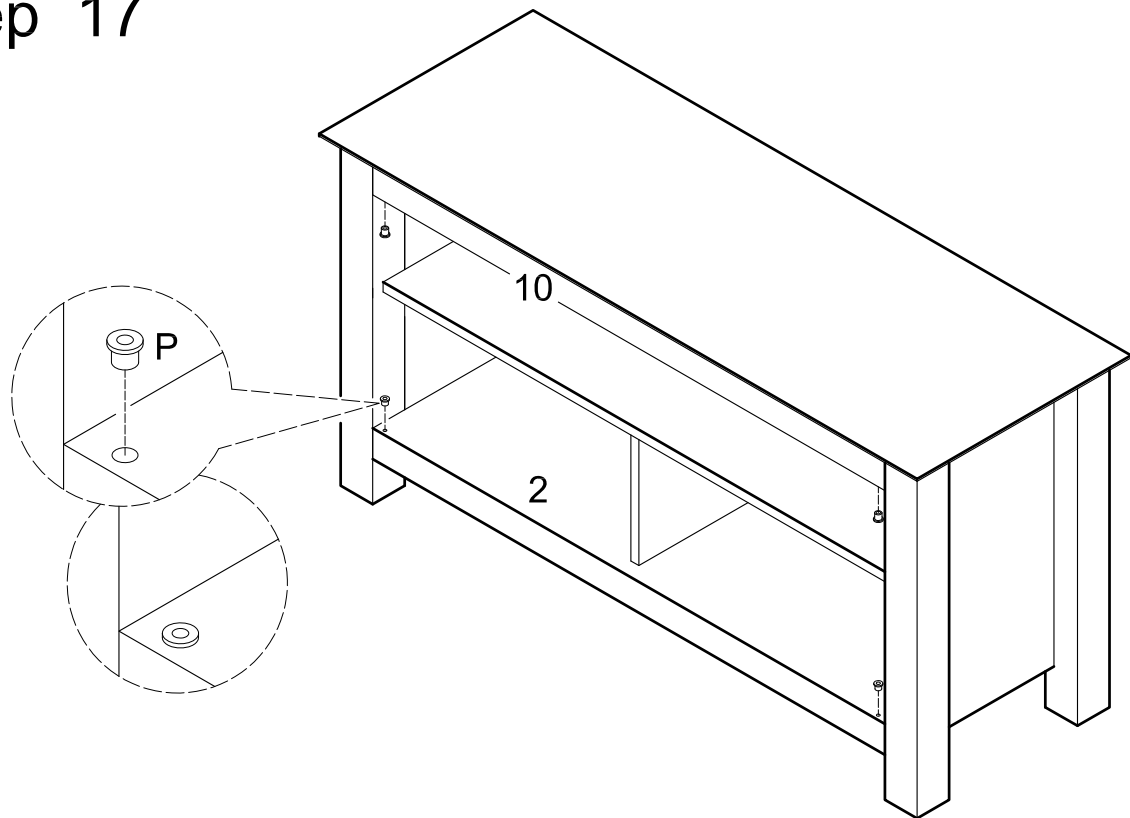
Cover all visible cam locks with stickers (U) as desired.

# Step 16



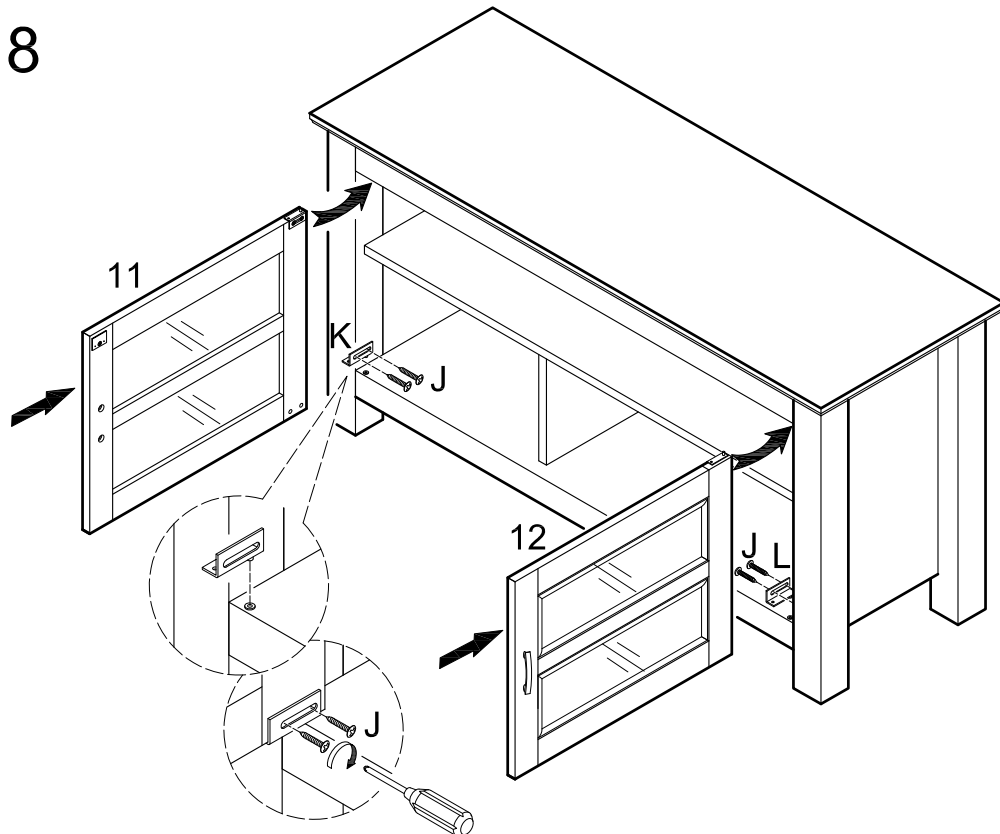
Attach handles (M) to doors (11, 12) using short bolts (N). Attach door stopper plates (H) to doors (11, 12) using screws (J). Attach door hinge (L) to door (11) using screws (J). Attach door hinge (K) to door (12) using screws (J).

## Step 17



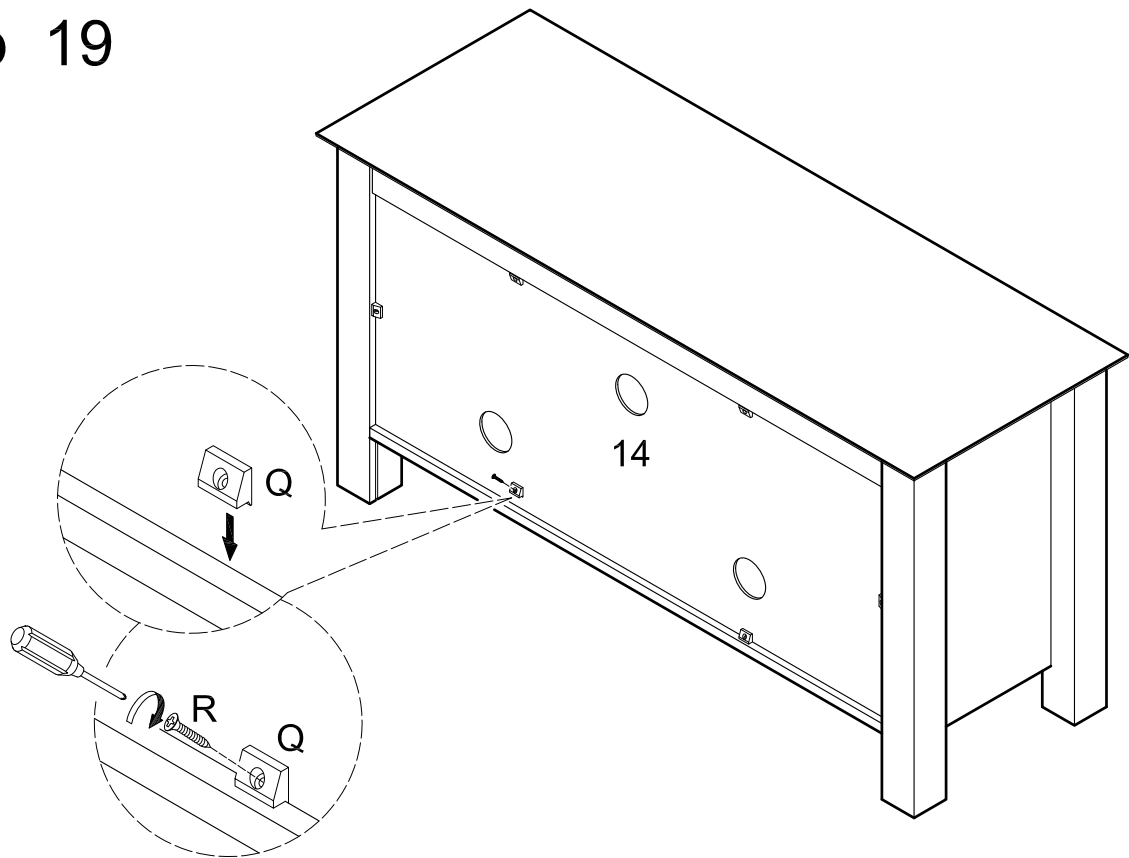
Insert plastic pivots (P) into panel (2) and slat (10).

## Step 18



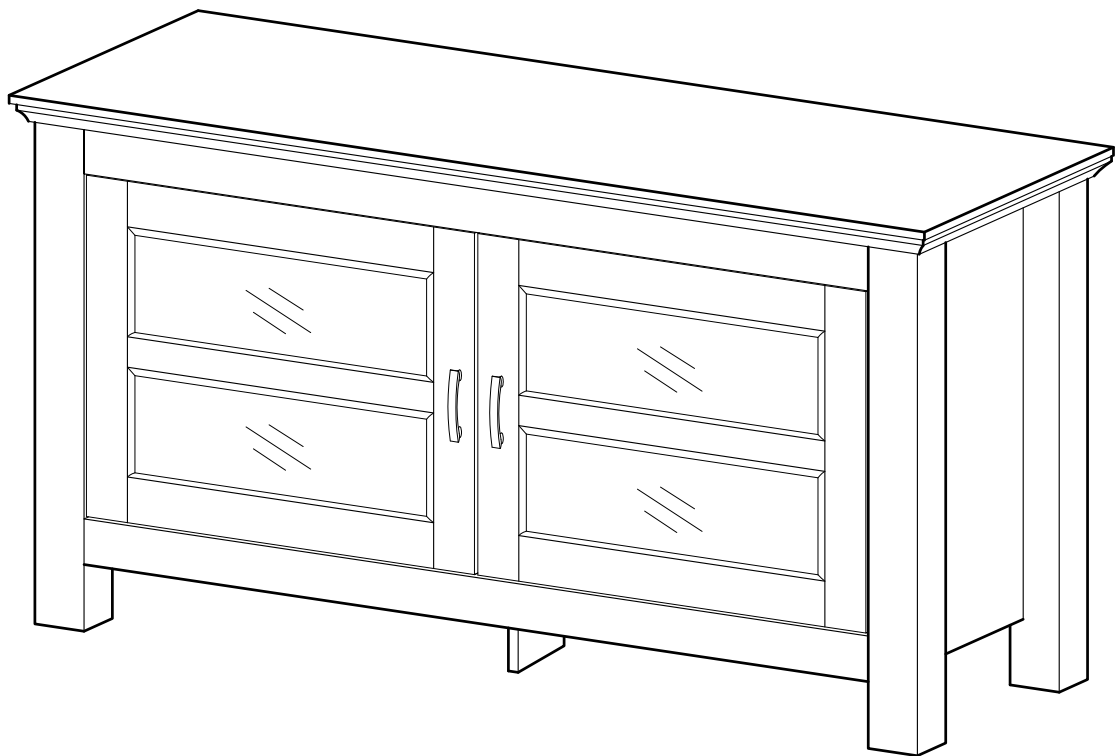
Insert door hinge (K) into left bottom plastic pivot (P). Slide door (11) into place. Attach door hinge (K) to door (11) using screws (J). Insert door hinge (L) into right bottom plastic pivot (P). Slide door (12) into place. Attach door hinge (L) to door (12) using screws (J).

## Step 19



Secure back panel (14) using plastic wedges (Q) and screws (R).

## Step 20



Final Assembly