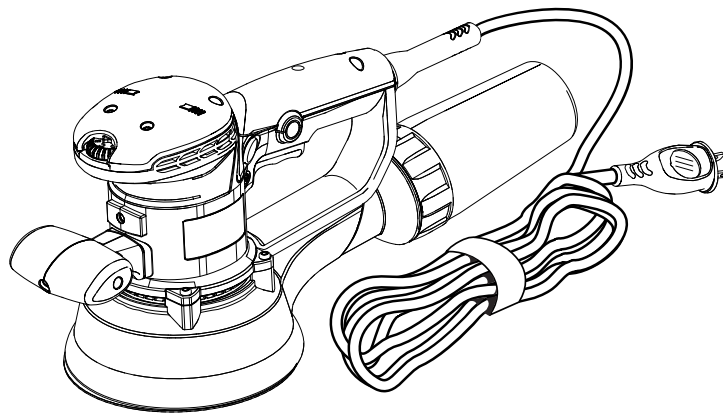




**OPERATOR'S MANUAL
MANUEL D'UTILISATION
MANUAL DEL OPERADOR
RANDOM ORBIT SANDER
PONCEUSE À ORBITE ALÉATOIRE
LIJADORA ORBITAL ALEATORIA**

**DOUBLE INSULATED VARIABLE SPEED
DOUBLE ISOLATION VITESSE VARIABLE
DOBLE AISLAMIENTO VELOCIDAD VARIABLE**

R2611



To register your RIDGID product, please visit:
<http://register.RIDGID.com>

Pour enregistrer votre produit de RIDGID, s'il vous plaît la visite:
<http://register.RIDGID.com>

Para registrar su producto de RIDGID, por favor visita:
<http://register.RIDGID.com>

Your random orbit sander has been engineered and manufactured to our high standard for dependability, ease of operation, and operator safety. When properly cared for, it will give you years of rugged, trouble-free performance.

⚠ WARNING: To reduce the risk of injury, the user must read and understand the operator's manual before using this product.

Thank you for buying a RIDGID® product.

SAVE THIS MANUAL FOR FUTURE REFERENCE

Cette ponceuse à orbite aléatoire a été conçue et fabriquée conformément à nos strictes normes de fiabilité, simplicité d'emploi et sécurité d'utilisation. Correctement entretenue, elle vous donnera des années de fonctionnement robuste et sans problèmes.

⚠ AVERTISSEMENT :
Pour réduire les risques de blessures, l'utilisateur doit lire et veiller à bien comprendre le manuel d'utilisation avant d'employer ce produit.

Merci d'avoir acheté un produit RIDGID®.

**CONSERVER CE MANUEL POUR
FUTURE RÉFÉRENCE**

Su lijadora orbital aleatoria ha sido diseñada y fabricada de conformidad con nuestras estrictas normas para brindar fiabilidad, facilidad de uso y seguridad para el operador. Con el debido cuidado, le brindará muchos años de sólido y eficiente funcionamiento.

⚠ ADVERTENCIA:
Para reducir el riesgo de lesiones, el usuario debe leer y comprender el manual del operador antes de usar este producto.

Le agradecemos la compra de un producto RIDGID®.

**GUARDE ESTE MANUAL PARA
FUTURAS CONSULTAS**

TABLE OF CONTENTS

TABLE DES MATIÈRES / ÍNDICE DE CONTENIDO

■ Introduction	2
Introduction / Introducción	
■ General Safety Rules	3-4
Règles de sécurité générales / Reglas de seguridad generales	
■ Specific Safety Rules.....	4
Règles de sécurité particulières / Reglas de seguridad específicas	
■ Symbols.....	5
Symboles / Símbolos	
■ Electrical	6
Caractéristiques électriques / Aspectos eléctricos	
■ Features.....	7
Caractéristiques / Características	
■ Assembly	8
Assemblage / Armado	
■ Operation.....	8-10
Utilisation / Funcionamiento	
■ Maintenance	11
Entretien / Mantenimiento	
■ Warranty	12
Garantie / Garantía	
■ Figure numbers (illustrations)	13-14
Figure numéros (illustrations) / Figura numeras (ilustraciones)	
■ Parts Ordering and Service	Back Page
Commande de pièces et réparation / Pedidos de piezas y servicio	Page arrière / Pág. posterior

INTRODUCTION

INTRODUCTION / INTRODUCCIÓN

This product has many features for making its use more pleasant and enjoyable. Safety, performance, and dependability have been given top priority in the design of this product making it easy to maintain and operate.

* * *

Ce produit offre de nombreuses fonctions destinées à rendre son utilisation plus plaisante et satisfaisante. Lors de la conception de ce produit, l'accent a été mis sur la sécurité, les performances et la fiabilité, afin d'en faire un outil facile à utiliser et à entretenir.

* * *

Este producto ofrece numerosas características para hacer más agradable y placentero su uso. En el diseño de este producto se ha conferido prioridad a la seguridad, el desempeño y la fiabilidad, por lo cual se facilita su manejo y mantenimiento.

GENERAL SAFETY RULES

WARNING:

Read all instructions. Failure to follow all instructions listed below may result in electric shock, fire and/or serious injury. The term “power tool” in all of the warnings listed below refers to your mains-operated (corded) power tool or battery-operated (cordless) power tool.

SAVE THESE INSTRUCTIONS

WORK AREA SAFETY

- **Keep work area clean and well lit.** Cluttered or dark areas invite accidents.
- **Do not operate power tools in explosive atmospheres, such as in the presence of flammable liquids, gases or dust.** Power tools create sparks which may ignite the dust or fumes.
- **Keep children and bystanders away while operating a power tool.** Distractions can cause you to lose control.

ELECTRICAL SAFETY

- **Power tool plugs must match the outlet. Never modify the plug in any way. Do not use any adapter plugs with earthed (grounded) power tools.** Unmodified plugs and matching outlets will reduce risk of electric shock.
- **Avoid body contact with earthed or grounded surfaces such as pipes, radiators, ranges and refrigerators.** There is an increased risk of electric shock if your body is earthed or grounded.
- **Do not expose power tools to rain or wet conditions.** Water entering a power tool will increase the risk of electric shock.
- **Do not abuse the cord. Never use the cord for carrying, pulling or unplugging the power tool. Keep cord away from heat, oil, sharp edges or moving parts.** Damaged or entangled cords increase the risk of electric shock.
- **When operating a power tool outdoors, use an extension cord suitable for outdoor use.** Use of a cord suitable for outdoor use reduces the risk of electric shock.

PERSONAL SAFETY

- **Stay alert, watch what you are doing and use common sense when operating a power tool. Do not use a power tool while you are tired or under the influence of drugs, alcohol or medication.** A moment of inattention while operating power tools may result in serious personal injury.
- **Use safety equipment. Always wear eye protection.** Safety equipment such as dust mask, non-skid safety shoes, hard hat, or hearing protection used for appropriate conditions will reduce personal injuries.
- **Avoid accidental starting. Ensure the switch is in the off-position before plugging in.** Carrying power tools with your finger on the switch or plugging in power tools that have the switch on invites accidents.

- **Remove any adjusting key or wrench before turning the power tool on.** A wrench or a key left attached to a rotating part of the power tool may result in personal injury.
- **Do not overreach. Keep proper footing and balance at all times.** This enables better control of the power tool in unexpected situations.
- **Dress properly. Do not wear loose clothing or jewelry. Keep your hair, clothing and gloves away from moving parts.** Loose clothes, jewelry, or long hair can be caught in moving parts.
- **If devices are provided for the connection of dust extraction and collection facilities, ensure these are connected and properly used.** Use of these devices can reduce dust-related hazards.
- **Do not wear loose clothing or jewelry. Contain long hair.** Loose clothes, jewelry, or long hair can be drawn into air vents.
- **Do not use on a ladder or unstable support.** Stable footing on a solid surface enables better control of the power tool in unexpected situations.

POWER TOOL USE AND CARE

- **Do not force the power tool. Use the correct power tool for your application.** The correct power tool will do the job better and safer at the rate for which it was designed.
- **Do not use the power tool if the switch does not turn it on and off.** Any power tool that cannot be controlled with the switch is dangerous and must be repaired.
- **Disconnect the plug from the power source and/or the battery pack from the power tool before making any adjustments, changing accessories, or storing power tools.** Such preventive safety measures reduce the risk of starting the power tool accidentally.
- **Store idle power tools out of the reach of children and do not allow persons unfamiliar with the power tool or these instructions to operate the power tool.** Power tools are dangerous in the hands of untrained users.
- **Maintain power tools. Check for misalignment or binding of moving parts, breakage of parts, and any other condition that may affect the power tool’s operation. If damaged, have the power tool repaired before use.** Many accidents are caused by poorly maintained power tools.
- **Keep cutting tools sharp and clean.** Properly maintained cutting tools with sharp cutting edges are less likely to bind and are easier to control.
- **Use the power tool, accessories and tool bits etc., in accordance with these instructions and in the manner intended for the particular type of power tool, taking into account the working conditions and the work to be performed.** Use of the power tool for operations different from those intended could result in a hazardous situation.

GENERAL SAFETY RULES

SERVICE

- **Have your power tool serviced by a qualified repair person using only identical replacement parts.** This will ensure that the safety of the power tool is maintained.

WARNING:

To reduce the risk of injury, user must read instruction manual.

- **When servicing a power tool, use only identical replacement parts. Follow instructions in the Maintenance section of this manual.** Use of unauthorized parts or failure to follow Maintenance instructions may create a risk of shock or injury.

SPECIFIC SAFETY RULES

- **Hold power tools by insulated gripping surfaces when performing an operation where the cutting tool may contact hidden wiring or its own cord.** Contact with a “live” wire will make exposed metal parts of the tool “live” and shock the operator.
- **Know your power tool. Read operator’s manual carefully. Learn its applications and limitations, as well as the specific potential hazards related to this tool.** Following this rule will reduce the risk of electric shock, fire, or serious injury.
- **Always wear eye protection marked to comply with ANSI Z87.1.** Following this rule will reduce the risk of serious personal injury.
- **Protect your lungs. Wear a face or dust mask if the operation is dusty.** Following this rule will reduce the risk of serious personal injury.
- **Protect your hearing. Wear hearing protectors during extended periods of operation.** Following this rule will reduce the risk of serious personal injury.
- **Inspect tool cords periodically and, if damaged, have repaired at your nearest authorized service center. Constantly stay aware of cord location.** Following this rule will reduce the risk of electric shock or fire.
- **Check damaged parts. Before further use of the tool, a guard or other part that is damaged should be carefully checked to determine that it will operate**

properly and perform its intended function. Check for alignment of moving parts, binding of moving parts, breakage of parts, mounting, and any other conditions that may affect its operation. A guard or other part that is damaged should be properly repaired or replaced by an authorized service center. Following this rule will reduce the risk of shock, fire, or serious injury.

- **Make sure your extension cord is in good condition. When using an extension cord, be sure to use one heavy enough to carry the current your product will draw. A wire gauge size (A.W.G.) of at least 16 is recommended for an extension cord 50 feet or less in length. A cord exceeding 100 feet is not recommended. If in doubt, use the next heavier gauge. The smaller the gauge number, the heavier the cord. An undersized cord will cause a drop in line voltage resulting in loss of power and overheating.**
- **Inspect for and remove all nails from lumber before using this tool.** Following this rule will reduce the risk of serious personal injury.
- **Save these instructions.** Refer to them frequently and use them to instruct others who may use this tool. If you loan someone this tool, loan them these instructions also.

WARNING:




Some dust created by power sanding, sawing, grinding, drilling, and other construction activities contains chemicals known to cause cancer, birth defects or other reproductive harm. Some examples of these chemicals are:

- lead from lead-based paints,
- crystalline silica from bricks and cement and other masonry products, and
- arsenic and chromium from chemically-treated lumber.






Your risk from these exposures varies, depending on how often you do this type of work. To reduce your exposure to these chemicals: work in a well ventilated area, and work with approved safety equipment, such as those dust masks that are specially designed to filter out microscopic particles.

SYMBOLS

The following signal words and meanings are intended to explain the levels of risk associated with this product.

SYMBOL	SIGNAL	MEANING
	DANGER:	Indicates an imminently hazardous situation, which, if not avoided, will result in death or serious injury.
	WARNING:	Indicates a potentially hazardous situation, which, if not avoided, could result in death or serious injury.
	CAUTION:	Indicates a potentially hazardous situation, which, if not avoided, may result in minor or moderate injury.
	CAUTION:	(Without Safety Alert Symbol) Indicates a situation that may result in property damage.

Some of the following symbols may be used on this product. Please study them and learn their meaning. Proper interpretation of these symbols will allow you to operate the product better and safer.

SYMBOL	NAME	DESIGNATION/EXPLANATION
	Safety Alert	Indicates a potential personal injury hazard.
V	Volts	Voltage
A	Amperes	Current
Hz	Hertz	Frequency (cycles per second)
min	Minutes	Time
~	Alternating Current	Type of current
n_0	No Load Speed	Rotational speed, at no load
	Class II Construction	Double-insulated construction
.../min	Per Minute	Revolutions, strokes, surface speed, orbits etc., per minute
	Wet Conditions Alert	Do not expose to rain or use in damp locations.
	Read The Operator's Manual	To reduce the risk of injury, user must read and understand operator's manual before using this product.
	Eye Protection	Always wear eye protection marked to comply with ANSI Z87.1.

ELECTRICAL

DOUBLE INSULATION

Double insulation is a concept in safety in electric power tools, which eliminates the need for the usual three-wire grounded power cord. All exposed metal parts are isolated from the internal metal motor components with protecting insulation. Double insulated tools do not need to be grounded.

WARNING:

The double insulated system is intended to protect the user from shock resulting from a break in the tool's internal wiring. Observe all normal safety precautions to avoid electrical shock.

NOTE: Servicing of a tool with double insulation requires extreme care and knowledge of the system and should be performed only by a qualified service technician. For service, we suggest you return the tool to your nearest authorized service center for repair. Always use original factory replacement parts when servicing.

ELECTRICAL CONNECTION

This tool has a precision-built electric motor. It should be connected to a **power supply that is 120 volts, 60 Hz, AC only (normal household current)**. Do not operate this tool on direct current (DC). A substantial voltage drop will cause a loss of power and the motor will overheat. If your tool does not operate when plugged into an outlet, double-check the power supply.

EXTENSION CORDS

When using a power tool at a considerable distance from a power source, be sure to use an extension cord that has the capacity to handle the current the tool will draw. An undersized cord will cause a drop in line voltage, resulting in overheating and loss of power. Use the chart to determine the minimum wire size required in an extension cord. Only round jacketed cords listed by Underwriter's Laboratories (UL) should be used.

When working outdoors with a tool, use an extension cord that is designed for outside use. This type of cord is designated with "W-A" or "W" on the cord's jacket.

Before using any extension cord, inspect it for loose or exposed wires and cut or worn insulation.

**Ampere rating (on tool data plate)

Cord Length	Wire Size (A.W.G.)					
	0-2.0	2.1-3.4	3.5-5.0	5.1-7.0	7.1-12.0	12.1-16.0
25'	16	16	16	16	14	14
50'	16	16	16	14	14	12
100'	16	16	14	12	10	—

**Used on 12 gauge - 20 amp circuit.

NOTE: AWG = American Wire Gauge

WARNING:

Keep the extension cord clear of the working area. Position the cord so that it will not get caught on lumber, tools or other obstructions while you are working with a power tool. Failure to do so can result in serious personal injury.

WARNING:

Check extension cords before each use. If damaged replace immediately. Never use tool with a damaged cord since touching the damaged area could cause electrical shock resulting in serious injury.

FEATURES

PRODUCT SPECIFICATIONS

Sanding Disc Diameter..... 6 in.
Orbit Diameter 1/8 in. or 1/4 in.
No Load Speed4,000-10,000/min

Input120 V, 60 Hz, AC only, 4 Amps
Net Weight..... 6.3 lbs.

KNOW YOUR RANDOM ORBIT SANDER

See Figure 1, page 13.

Before attempting to use this product, familiarize yourself with all operating features and safety rules.

ADJUSTABLE FRONT HANDLE

For ease of operation, the front handle can be adjusted using the supplied hex key.

BACKING PAD

The hook and loop backing pad allows you to quickly and easily attach sanding discs.

CORD WRAP

The 12-foot power cord has a built-in cord wrap.

DUAL RANDOM ORBIT SELECTOR

The random orbit motion provides overlapping sanding movements by combining orbital and turning motion. These overlapping sanding movements provide fast cutting action with excellent sanding results.

DUST BAG

The dust bag attaches to the sander and keeps dust to a minimum.

ERGONOMIC DESIGN

Your random orbit sander is designed for comfort and ease of operation in different positions and at different angles.

INTEGRATED BRAKE PAD

The integrated brake pad prevents pad “overspin.” This feature helps eliminate sanding scratches when you apply the sander to, or remove it from, a work surface.

LIGHTED PLUG

The lighted plug helps to easily identify live tools.

LOCK-ON BUTTON

The lock-on feature allows you to lock the switch trigger in the **ON** position. Locking the switch trigger on allows you to operate the sander for extended periods of time.

SOFT START

When a speed is selected with the variable speed dial and the sander is stopped and then reactivated, the sander will gradually ramp up to the previous speed setting once the switch trigger is pressed again.

VACUUM ADAPTOR

The vacuum adaptor allows you to connect to a 1-1/4 in. or 2-1/2 in. diameter vacuum hose to help keep the work area clean.

VARIABLE SPEED DIAL

The variable speed feature allows the sander to develop a no load speed that can be adjusted from 4,000 to 10,000 orbits per minute by rotating the dial from **A (slowest)** to **F (fastest)**.

ASSEMBLY

UNPACKING

This product has been shipped completely assembled.

- Carefully remove the tool and any accessories from the box. Make sure that all items listed in the packing list are included.

WARNING:

Do not use this product if it is not completely assembled or if any parts appear to be missing or damaged. Use of a product that is not properly and completely assembled could result in serious personal injury.

-
- Inspect the tool carefully to make sure no breakage or damage occurred during shipping.
 - Do not discard the packing material until you have carefully inspected and satisfactorily operated the tool.
 - If any parts are damaged or missing, please call 1-866-539-1710 for assistance.

PACKING LIST

Random Orbit Sander
Sanding Disc, 80-grit (3)
Handle Assembly
Dust Bag Assembly
Hex Key
Operator's Manual

OPERATION

WARNING:

Do not allow familiarity with tools to make you careless. Remember that a careless fraction of a second is sufficient to inflict severe injury.

WARNING:

Always wear eye protection marked to comply with ANSI Z87.1. Failure to do so could result in objects being thrown into your eyes resulting in possible serious injury.

WARNING:

If any parts are damaged or missing do not operate this tool until the parts are replaced. Use of this product with damaged or missing parts could result in serious personal injury.

WARNING:

Do not attempt to modify this tool or create accessories not recommended for use with this tool. Any such alteration or modification is misuse and could result in a hazardous condition leading to possible serious personal injury.

WARNING:

Do not connect to power supply until assembly is complete. Failure to comply could result in accidental starting and possible serious personal injury.

WARNING:

Do not use any attachments or accessories not recommended by the manufacturer of this tool. The use of attachments or accessories not recommended can result in serious personal injury.

APPLICATIONS

You may use this tool for the purposes listed below:

- Sanding wood or wood product surfaces
- Sanding steel surfaces
- Removing rust from steel surfaces

ATTACHING THE FRONT HANDLE

See Figure 2, page 13.

- Unplug the sander.
- Place handle in the desired position.
- Tighten the handle by inserting the hex key into the handle hole, engaging the hex screw inside, and turning clockwise.

OPERATION

SANDING DISC SELECTION

Selecting the correct size grit and type sanding disc is an extremely important step in achieving a high quality sanded finish. Aluminum oxide, silicon carbide, and other synthetic abrasives are best for power sanding. Natural abrasives, such as flint and garnet are too soft for economical use in power sanding.

In general, coarse grit will remove the most material and finer grit will produce the best finish in all sanding operations. The condition of the surface to be sanded will determine which grit will do the job. If the surface is rough, start with a coarse grit and sand until the surface is uniform. Medium grit may then be used to remove scratches left by the coarser grit and finer grit used for finishing of the surface. Always continue sanding with each grit until surface is uniform.

ATTACHING HOOK AND LOOP SANDING DISC

See Figure 3, page 13.

To attach hook and loop sanding disc:

- Unplug the sander.
- Align the holes in the sanding disc with the holes in the hook and loop backing pad.
- Press the sanding disc against the backing pad as firmly as possible.

NOTE: To provide for the best adhesion, we recommend that you clean the backing pad and the sanding disc backing occasionally by brushing them lightly with a small brush.

SELECTING THE ORBIT DIAMETER

See Figure 4, page 13.

The dual random orbit selector allows you to choose between two orbits: the 1/8 in. orbit setting produces a finer surface finish, while the 1/4 in. orbit setting increases the removal rate.

With the sander held in normal operating position, the dual random orbit selector should be positioned to the left of the switch trigger for a 1/4 in. orbit diameter. The dual random orbit selector should be positioned to the right of the switch trigger for a 1/8 in. orbit diameter.

VARIABLE SPEED DIAL

See Figure 5, page 13.

The variable speed dial allows the sander to operate at speeds that can be adjusted by rotating the dial from A to F. The dial is conveniently located on the motor housing, allowing operator control of disc speed. To increase sanding disc speed, turn the variable speed dial to a higher setting. Turn dial to a lower setting to decrease sanding disc speed.

Recommended speed settings are as follows:

Speed	Surface/Application
A - B	plastic, plexiglass
C - D	metal finishing, old paint removal
E - F	wood/coarse and fine sanding

ATTACHING THE DUST BAG

See Figure 6, page 13.

The dust bag provides a dust collection system for the sander. Sanding dust is drawn up through the holes of the sanding disc and collected in the dust bag during sanding.

To attach the dust bag:

- Unplug the sander.
- Slide dust bag assembly onto blower exhaust turning clockwise to tighten.

ATTACHING THE SANDER TO A VACUUM

See Figure 7, page 14.

To attach the sander to a vacuum:

- Unplug the sander.
- Turn the dust bag counterclockwise to remove from sander.
- Attach the vacuum hose to the vacuum adaptor.

WARNING

When sander is not connected to vacuum, always install dust bag back on sander. Failure to do so could cause sanding dust or foreign objects to be thrown into the face or eyes which could result in possible serious injury.

NOTE: A standard 1-1/4 in. vacuum hose fits inside the smaller diameter hole inside the dust exhaust, while a standard 2-1/2 in. vacuum hose connection fits inside the larger hole of the dust exhaust.

TURNING THE SANDER ON/OFF

See Figure 8, page 14.

Depress the switch trigger to turn the sander **ON**. Release the switch trigger to turn the sander **OFF**.

LOCKING ON THE SANDER

See Figure 8, page 14.

The sander is equipped with a lock-on feature, which is convenient for continuous sanding for extended periods of time.

WARNING:

Before connecting the sander to a power supply, make sure it is not in the locked-on position. Failure to do so could result in accidental starting of the tool resulting in serious injury.

To lock on the sander:

- Depress the switch trigger.
- Push in the lock-on button.
- Release the switch trigger.
- Release the lock-on button.

OPERATION

NOTE: To release the lock, depress the switch trigger.

If you have the lock-on feature engaged during use and the sander is accidentally disconnected from the power supply, disengage the lock-on feature immediately. Also, do not lock the switch trigger if you might need to suddenly stop the sander.

OPERATING THE SANDER

See Figure 9, page 14.

To operate the sander:

- Secure the workpiece to prevent it from moving during operation.

WARNING:

Unsecured workpieces could be thrown towards the operator causing injury.

WARNING:

Keep your head away from the sander and the sanding area. Your hair could be drawn into the sander, causing serious injury.

- Place the sander on the workpiece so that all of the sanding disc surface is in contact with the workpiece.
-

CAUTION:

To avoid motor damage resulting from overheating, do not cover the air vents with your hand.

- Turn on the sander and move it slowly over the workpiece. Make successive passes in parallel lines, circles, or cross-wise movements.
- Turn off the sander and wait until the sanding disc comes to a complete stop before removing it from the workpiece.

Do not force. The weight of the unit supplies adequate pressure to do the work. Applying additional pressure only slows the motor, rapidly wears the sanding sheet, and greatly reduces sander speed. Excessive pressure will overload the motor causing possible damage from overheating and can result in inferior work. Any finish or resin on wood may soften from the frictional heat. Do not sand on one spot too long as the sander's rapid action may remove too much material, making the surface uneven.

Extended periods of sanding may overheat the motor. If this occurs, turn the sander off and wait until the sanding sheet comes to a complete stop. Remove sander from workpiece. Remove sanding disc, then turn sander on, and run it free without a load to cool the motor.

EMPTYING THE DUST BAG

See Figure 10, page 14.

For more efficient operation, empty the dust bag when it is no more than half full. This will permit the air to flow through the bag better. Always empty and clean the dust bag thoroughly upon completion of a sanding operation and before placing the sander in storage.

WARNING:

Collected sanding dust from sanding surface coatings such as polyurethanes, linseed oil, etc., can self-ignite in the sander dust bag or elsewhere and cause fire. To reduce the risk of fire, always empty the dust bag frequently while sanding and never store or leave a sander without totally emptying its dust bag. Also follow the recommendations of the coatings manufacturers.

To empty the dust bag:

- Unplug the sander.
- Remove the dust bag from the sander.
- Shake out the dust.
- Reattach the dust bag to the sander.

For a more thorough cleaning of the dust bag, remove dust bag from frame and shake out dust. Replace dust bag over frame then install dust bag assembly on sander.

MAINTENANCE

WARNING:

When servicing use only identical RIDGID replacement parts. Use of any other parts may create a hazard or cause product damage.

WARNING:

Always wear eye protection marked to comply with ANSI Z87.1. Failure to do so could result in objects being thrown into your eyes resulting in possible serious injury.

GENERAL MAINTENANCE

Avoid using solvents when cleaning plastic parts. Most plastics are susceptible to damage from various types of commercial solvents and may be damaged by their use. Use clean cloths to remove dirt, dust, oil, grease, etc.

WARNING:

Do not at any time let brake fluids, gasoline, petroleum-based products, penetrating oils, etc., come in contact with plastic parts. Chemicals can damage, weaken or destroy plastic which may result in serious personal injury.

Electric tools used on fiberglass material, wallboard, spackling compounds, or plaster are subject to accelerated wear and possible premature failure because the fiberglass chips and grindings are highly abrasive to bearings, brushes, commutators, etc. Consequently, we do not recommend using this tool for extended work on these types of materials. However, if you do work with any of these materials, it is extremely important to clean the tool using compressed air.

LUBRICATION

All of the bearings in this tool are lubricated with a sufficient amount of high grade lubricant for the life of the unit under normal operating conditions. Therefore, no further lubrication is required.

BRUSH REPLACEMENT

See Figure 11, page 14.

- Unplug the sander.
-

WARNING:

Failure to unplug the tool could result in accidental starting causing possible serious injury.

- Remove screws (7) from top cover of sander.
- Remove top cover.
- Disconnect lead terminals from brush tubes.
- Remove brush assemblies (2).
- Check for wear. Replace both brush assemblies when either has less than 1/4 in. length of carbon remaining. Do not replace one side without replacing the other.
- Reassemble using new brush assemblies. Make sure curvature of brush matches curvature of motor and that brush moves freely in brush tube.
- Reassemble by reversing the steps listed above.
- Tighten all screws securely. **Do not** over tighten.

NOTE: FIGURES (ILLUSTRATIONS) START ON PAGE 13 AFTER FRENCH AND SPANISH LANGUAGE SECTIONS.

WARRANTY

RIDGID® HAND HELD AND STATIONARY POWER TOOL 3 YEAR LIMITED SERVICE WARRANTY

Proof of purchase must be presented when requesting warranty service.

Limited to RIDGID® hand held and stationary power tools purchased 2/1/04 and after. This product is manufactured by One World Technologies, Inc. The trademark is licensed from RIDGID, Inc. All warranty communications should be directed to One World Technologies, Inc., attn: RIDGID Hand Held and Stationary Power Tool Technical Service at (toll free) 1-866-539-1710.

90-DAY SATISFACTION GUARANTEE POLICY

During the first 90 days after the date of purchase, if you are dissatisfied with the performance of this RIDGID® Hand Held and Stationary Power Tool for any reason you may return the tool to the dealer from which it was purchased for a full refund or exchange. To receive a replacement tool you must present proof of purchase and return all original equipment packaged with the original product. The replacement tool will be covered by the limited warranty for the balance of the 3 YEAR service warranty period.

WHAT IS COVERED UNDER THE 3 YEAR LIMITED SERVICE WARRANTY

This warranty on RIDGID® Hand Held and Stationary Power Tools covers all defects in workmanship or materials and normal wear items such as brushes, chucks, motors, switches, cords, gears and even cordless batteries in this RIDGID® tool for three years following the purchase date of the tool. Warranties for other RIDGID® products may vary.

HOW TO OBTAIN SERVICE

To obtain service for this RIDGID® tool you must return it; freight prepaid, or take it in to an authorized service center for RIDGID® branded hand held and stationary power tools. You may obtain the location of the authorized service center nearest you by calling (toll free) 1-866-539-1710 or by logging on to the RIDGID® website at www.ridgid.com. When requesting warranty service, you must present the original dated sales receipt. The authorized service center will repair any faulty workmanship, and either repair or replace any part covered under the warranty, at our option, at no charge to you.

WHAT IS NOT COVERED

This warranty applies only to the original purchaser at retail and may not be transferred. This warranty only covers defects arising under normal usage and does not cover any malfunction, failure or defect resulting from misuse, abuse, neglect, alteration, modification or repair by other than an authorized service center for RIDGID® branded hand held and stationary power tools. Consumable accessories provided with the tool such as, but not limited to, blades, bits and sand paper are not covered.

RIDGID, INC. AND ONE WORLD TECHNOLOGIES, INC. MAKE NO WARRANTIES, REPRESENTATIONS OR PROMISES AS TO THE QUALITY OR PERFORMANCE OF ITS POWER TOOLS OTHER THAN THOSE SPECIFICALLY STATED IN THIS WARRANTY.

ADDITIONAL LIMITATIONS

To the extent permitted by applicable law, all implied warranties, including warranties of MERCHANTABILITY or FITNESS FOR A PARTICULAR PURPOSE, are disclaimed. Any implied warranties, including warranties of merchantability or fitness for a particular purpose, that cannot be disclaimed under state law are limited to three years from the date of purchase. One World Technologies, Inc. and RIDGID, Inc. are not responsible for direct, indirect, incidental or consequential damages. Some states do not allow limitations on how long an implied warranty lasts and/or do not allow the exclusion or limitation of incidental or consequential damages, so the above limitations may not apply to you. This warranty gives you specific legal rights, and you may also have other rights which vary from state to state.

One World Technologies, Inc.

P.O. Box 35, Hwy. 8
Pickens, SC 29671

RÈGLES DE SÉCURITÉ GÉNÉRALES

AVERTISSEMENT !

Lire toutes les instructions. Le non-respect de toutes les instructions ci-dessous peut entraîner un choc électrique, un incendie et/ou des blessures graves. Le terme « outil électrique », utilisé dans tous les avertissements ci-dessous, désigne tout outil fonctionnant sur secteur (câblé) ou sur batteries (sans fil).

CONSERVER CES INSTRUCTIONS

SÉCURITÉ DU LIEU DE TRAVAIL

- **Garder le lieu de travail propre et bien éclairé.** Les endroits encombrés ou sombres sont propices aux accidents.
- **Ne pas utiliser d'outils électriques dans des atmosphères explosives, par exemple en présence de liquides, gaz ou poussières inflammables.** Les outils électriques produisent des étincelles risquant d'enflammer les poussières ou vapeurs.
- **Garder les enfants et badauds à l'écart pendant l'utilisation d'un outil électrique.** Les distractions peuvent causer une perte de contrôle.

SÉCURITÉ ÉLECTRIQUE

- **Les fiches des outils électriques doivent correspondre à la prise secteur utilisée. Ne jamais modifier la fiche, de quelque façon que ce soit. Ne jamais utiliser d'adaptateurs de fiche avec des outils mis à la terre.** Les fiches et prises non modifiées réduisent le risque de choc électrique.
- **Éviter tout contact du corps avec des surfaces mises à la terre, telles que tuyaux, radiateurs, cuisinières et réfrigérateurs.** Le risque de choc électrique est accru lorsque le corps est mis à la terre.
- **Ne pas exposer les outils électriques à l'eau ou l'humidité.** La pénétration d'eau dans ces outils accroît le risque de choc électrique.
- **Ne pas maltraiter le cordon d'alimentation. Ne jamais utiliser le cordon d'alimentation pour transporter l'outil et ne jamais débrancher ce dernier en tirant sur le cordon. Garder le cordon à l'écart de la chaleur, de l'huile, des objets tranchants et des pièces en mouvement.** Un cordon endommagé ou emmêlé accroît le risque de choc électrique.
- **Pour les travaux à l'extérieur, utiliser un cordon spécialement conçu à cet effet.** Utiliser un cordon conçu pour l'usage extérieur pour réduire les risques de choc électrique.

SÉCURITÉ PERSONNELLE

- **Rester attentif, prêter attention au travail et faire preuve de bon sens lors de l'utilisation de tout outil électrique. Ne pas utiliser cet outil en état de fatigue ou sous l'influence de l'alcool, de drogues ou de médicaments.** Un moment d'inattention pendant l'utilisation d'un outil électrique peut entraîner des blessures graves.

- **Utiliser l'équipement de sécurité. Toujours porter une protection oculaire.** L'équipement de sécurité, tel qu'un masque filtrant, des chaussures de sécurité, un casque ou une protection auditive, utilisé dans des conditions appropriées réduira le risque de blessures.
- **Éviter les démarrages accidentels. S'assurer que le commutateur est en position d'arrêt avant de brancher l'outil.** Porter un outil avec le doigt sur son commutateur ou brancher un outil dont le commutateur est en position de marche peut causer un accident.
- **Retirer les clés de réglage avant de mettre l'outil en marche.** Une clé laissée sur une pièce rotative de l'outil peut causer des blessures.
- **Ne pas travailler hors de portée. Toujours se tenir bien campé et en équilibre.** Ceci permettra de mieux contrôler l'outil en cas de situation imprévue.
- **Porter une tenue appropriée. Ne porter ni vêtements amples, ni bijoux. Garder les cheveux, les vêtements et les gants à l'écart des pièces en mouvement.** Les vêtements amples, bijoux et cheveux longs peuvent se prendre dans les pièces en mouvement.
- **Si les outils sont équipés de dispositifs de dépoussiérage, s'assurer qu'ils sont connectés et correctement utilisés.** L'usage de ces dispositifs peut réduire les dangers présentés par la poussière.
- **Ne porter ni vêtements amples, ni bijoux. Attacher ou couvrir les cheveux longs.** Les vêtements amples, bijoux et cheveux longs peuvent se prendre dans les ouïes d'aération.
- **Ne pas utiliser l'outil sur une échelle ou un support instable.** Une bonne tenue et un bon équilibre permettent de mieux contrôler l'outil en cas de situation imprévue.

UTILISATION ET ENTRETIEN DES OUTILS MOTORISÉS

- **Ne pas forcer l'outil. Utiliser l'outil approprié pour le travail.** Un outil approprié exécutera le travail mieux et de façon moins dangereuse s'il est utilisé dans les limites prévues.
- **Ne pas utiliser l'outil si le commutateur ne permet pas de le mettre en marche ou de l'arrêter.** Tout outil qui ne peut pas être contrôlé par son commutateur est dangereux et doit être réparé.
- **Débrancher l'outil et/ou retirer le bloc de batteries avant d'effectuer des réglages, de changer d'accessoire ou de remiser l'outil.** Ces mesures de sécurité préventives réduisent les risques de démarrage accidentel de l'outil.
- **Ranger les outils motorisés hors de la portée des enfants et ne laisser personne n'étant pas familiarisé avec l'outil ou ces instructions utiliser l'outil.** Dans les mains de personnes n'ayant pas reçu des instructions adéquates, les outils sont dangereux.
- **Entretien des outils motorisés. Vérifier qu'aucune pièce mobile n'est mal alignée ou bloquée, qu'aucune pièce n'est brisée et s'assurer qu'aucun autre problème risque d'affecter le bon fonctionnement de l'outil. En cas de dommages faire réparer l'outil avant de l'utiliser de nouveau.** Beaucoup d'accidents sont causés par des outils mal entretenus.

RÈGLES DE SÉCURITÉ GÉNÉRALES

- **Garder les outils bien affûtés et propres.** Des outils correctement entretenus et dont les tranchants sont bien affûtés risquent moins de se bloquer et sont plus faciles à contrôler.
- **Utiliser l'outil, les accessoires et embouts, etc., conformément à ces instructions pour les applications pour lesquelles ils sont conçus, en tenant compte des conditions et du type de travail à exécuter.** L'usage d'un outil motorisé pour des applications pour lesquelles il n'est pas conçu peut être dangereux.

DÉPANNAGE

- **Les réparations doivent être confiées à un technicien qualifié, utilisant exclusivement des pièces identiques à celles d'origine.** Ceci assurera le maintien de la sécurité de l'outil.

RÈGLES DE SÉCURITÉ PARTICULIÈRES

- **Lorsque l'outil est utilisé pour un travail risquant de le mettre en contact avec des fils électriques cachés ou son propre cordon d'alimentation, le tenir par les surfaces de prise isolées.** En cas de contact avec un fil sous tension, les parties métalliques exposées de l'outil seraient électrisées, exposant l'opérateur à un risque de choc électrique.
- **Apprendre à connaître l'outil. Lire attentivement le manuel d'utilisation. Apprendre les applications et les limites de l'outil, ainsi que les risques spécifiques relatifs à son utilisation.** Le respect de cette consigne réduira les risques d'incendie, de choc électrique et de blessures graves.
- **Toujours porter une protection oculaire certifiée conforme à la norme ANSI Z87.1.** Le respect de cette règle réduira les risques de blessures graves.
- **Protection respiratoire. Porter un masque facial ou filtrant si le travail produit de la poussière.** Le respect de cette consigne réduira les risques de blessures graves.
- **Protection auditive. Porter une protection auditive durant les périodes d'utilisation prolongée.** Le respect de cette consigne réduira les risques de blessures graves.
- **Inspecter régulièrement les cordons d'alimentation des outils et s'ils sont endommagés, les confier au centre de réparations agréé le plus proche. Toujours être conscient de l'emplacement du cordon.** Le respect de cette consigne réduira les risques de choc électrique et d'incendie.
- **Vérifier l'état des pièces. Avant d'utiliser l'outil de nouveau examiner soigneusement les pièces et dispositifs de protection qui semblent endommagés afin de déterminer s'ils fonctionnent correctement et s'ils**



AVERTISSEMENT !

Pour réduire les risques de blessures, l'utilisateur doit lire et veiller à bien comprendre le manuel d'utilisation.

- **Utiliser exclusivement des pièces identiques à celles d'origine pour les réparations. Se conformer aux instructions de la section Entretien de ce manuel.** L'usage de pièces non autorisées ou le non-respect des instructions peut présenter des risques de choc électrique ou de blessures.
- **remplissent les fonctions prévues. Vérifier l'alignement des pièces mobiles, s'assurer qu'aucune pièce n'est bloquée ou cassée, vérifier la fixation de chaque pièce et s'assurer qu'aucun autre problème ne risque d'affecter le bon fonctionnement de l'outil. Toute protection ou pièce endommagée doit être correctement réparée ou remplacée dans un centre de réparations agréé.** Le respect de cette consigne réduira les risques de choc électrique, d'incendie et de blessures graves.
- **S'assurer que le cordon prolongateur est en bon état. Si un cordon prolongateur est utilisé, s'assurer que sa capacité est suffisante pour supporter le courant de fonctionnement de l'outil. Un calibre de fil (A.W.G) d'au minimum 16 est recommandé pour un cordon prolongateur de 15 mètres (50 pi) maximum. L'usage d'un cordon de plus de 30 m (100 pi) est déconseillé. En cas de doute, utiliser un cordon du calibre immédiatement supérieur. Moins le numéro de calibre est élevé, plus la capacité du fil est grande.** Un cordon de capacité insuffisante causerait une baisse de la tension de ligne, entraînant une perte de puissance et une surchauffe.
- **Inspecter la pièce et retirer les clous éventuels avant d'utiliser cet outil.** Le respect de cette consigne réduira les risques de blessures graves.
- **Conserver ces instructions.** Les consulter fréquemment et les utiliser pour instruire les autres utilisateurs éventuels. Si cet outil est prêté, il doit être accompagné de ces instructions.



AVERTISSEMENT :




La poussière dégagée lors du ponçage, sciage, meulage, perçage de certains matériaux et lors d'autres opérations de construction contient des produits chimiques reconnus causer le cancer, des malformations congénitales ou des lésions de l'appareil reproducteur. Voici certains exemples de ces produits chimiques :

- le plomb contenu dans la peinture au plomb,
- la silice cristalline contenue dans les briques, le béton et d'autres produits de maçonnerie, ainsi que
- l'arsenic et le chrome contenus dans le bois de construction traité par produits chimiques.






Le risque présenté par l'exposition à ces produits varie en fonction de la fréquence de ce type de travail. Pour réduire l'exposition à ces produits chimiques : travailler dans un endroit bien aéré et utiliser des équipements de sécurité approuvés tels que masques antipoussière spécialement conçus pour filtrer les particules microscopiques.

SYMBOLES

Les termes de mise en garde suivants et leur signification ont pour but d'expliquer le degré de risques associé à l'utilisation de ce produit.

SYMBOLE	SIGNAL	SIGNIFICATION
	DANGER :	Indique une situation extrêmement dangereuse qui, si elle n'est pas évitée, aura pour conséquences des blessures graves ou mortelles.
	AVERTISSEMENT :	Indique une situation potentiellement dangereuse qui, si elle n'est pas évitée, pourrait entraîner des blessures graves ou mortelles.
	ATTENTION :	Indique une situation potentiellement dangereuse qui, si elle n'est pas évitée, pourrait entraîner des blessures légères ou de gravité modérée.
	ATTENTION :	(Sans symbole d'alerte de sécurité) Indique une situation pouvant entraîner des dommages matériels.

Certains des symboles ci-dessous peuvent être utilisés sur produit. Veiller à les étudier et à apprendre leur signification. Une interprétation correcte de ces symboles permettra d'utiliser produit plus efficacement et de réduire les risques.

SYMBOLE	NOM	DÉSIGNATION / EXPLICATION
	Symbole d'alerte de sécurité	Indique un risque de blessure potentiel.
V	Volts	Tension
A	Ampères	Intensité
Hz	Hertz	Fréquence (cycles par seconde)
min	Minutes	Temps
~	Courant alternatif	Type de courant
n_0	Vitesse à vide	Vitesse de rotation à vide
	Construction de la classe II	Construction à double isolation
.../min	Par minute	Tours, coups, vitesse périphérique, orbites, etc., par minute
	Avertissement concernant l'humidité	Ne pas exposer à la pluie ou l'humidité.
	Lire le manuel d'utilisation	Pour réduire les risques de blessures, l'utilisateur doit lire et veiller à bien comprendre le manuel d'utilisation avant d'utiliser ce produit.
	Protection oculaire	Toujours porter une protection oculaire certifiée conforme à la norme ANSI Z87.1.

CARACTÉRISTIQUES ÉLECTRIQUES

DOUBLE ISOLATION

La double isolation est un dispositif de sécurité utilisé sur les outils à moteur électriques, éliminant le besoin de cordon d'alimentation habituel à trois fils avec terre. Toutes les pièces métalliques exposées sont isolées des composants internes du moteur par l'isolation protectrice. Les outils à double isolation ne nécessitent pas de mise à la terre.

AVERTISSEMENT :

Le système à double isolation est conçu pour protéger l'utilisateur contre les chocs électriques causés par une rupture du câblage interne de l'outil. Prendre toutes les précautions de sécurité normales pour éviter les chocs électriques.

NOTE : La réparation d'un outil à double isolation exigeant des précautions extrêmes ainsi que la connaissance du système, elle ne doit être confiée qu'à un réparateur qualifié. En ce qui concerne les réparations, nous recommandons de confier l'outil au centre de réparation le plus proche. Utiliser exclusivement des pièces d'origine pour les réparations.

CONNEXIONS ÉLECTRIQUES

Cet outil est équipé d'un moteur électrique de précision. Il doit être branché uniquement sur **une alimentation 120 V, 60 Hz, c.a. (courant résidentiel standard)**. Ne pas utiliser cet outil sur une source de courant continu (c.c.). Une chute de tension importante causerait une perte de puissance et une surchauffe du moteur. Si l'outil ne fonctionne pas une fois branché, vérifier l'alimentation électrique.

CORDONS PROLONGATEURS

Lors de l'utilisation d'un outil électrique à grande distance d'une prise secteur, veiller à utiliser un cordon prolongateur d'une capacité suffisante pour supporter l'appel de courant de l'outil. Un cordon de capacité insuffisante causerait une baisse de la tension de ligne, entraînant une perte de puissance et une surchauffe. Se reporter au tableau ci-dessous pour déterminer le calibre minimum de fil requis pour un cordon donné. Utiliser exclusivement des cordons à gaine cylindrique homologués par Underwriter's Laboratories (UL).

Pour le travail à l'extérieur, utiliser un cordon prolongateur spécialement conçu à cet effet. Ce type de cordon porte l'inscription « W-A » ou « W » sur sa gaine.

Avant d'utiliser un cordon prolongateur, vérifier que ses fils ne sont ni détachés ni exposés et que son isolation n'est ni coupée, ni usée.

**Intensité nominale (sur la plaquette signalétique de l'outil)

Longueur du cordon	Calibre de fil (A.W.G.)					
	0-2,0	2,1-3,4	3,5-5,0	5,1-7,0	7,1-12,0	12,1-16,0
25'	16	16	16	16	14	14
50'	16	16	16	14	14	12
100'	16	16	14	12	10	—

**Utilisé sur circuit de calibre 12 – 20 A

NOTE : AWG = American Wire Gauge

AVERTISSEMENT :

Maintenir le cordon prolongateur à l'écart de la zone de travail. Lors du travail avec un cordon électrique, placer le cordon de manière à ce qu'il ne risque pas de se prendre dans les pièces de bois, outils et autres obstacles. Ne pas prendre cette précaution peut entraîner des blessures graves.

AVERTISSEMENT :

Vérifier l'état des cordons prolongateurs avant chaque utilisation. Remplacer immédiatement tout cordon endommagé. Ne jamais utiliser un outil dont le cordon d'alimentation est endommagé, car tout contact avec la partie endommagée pourrait causer un choc électrique et des blessures graves.

CARACTÉRISTIQUES

FICHE TECHNIQUE

Diamètre du disque abrasif 6 po (15,2 cm)
Diamètre d'orbite 1/8 ou 1/4 po (3 ou 6 mm)
Vitesse à vide 4 000-10 000 tr/min

Alimentation 120 V, 60 Hz, c.a. seulement, 4 A
Poids net 2,8 kg (6,3 lb)

VEILLER À BIEN CONNAÎTRE LA PONCEUSE À ORBITE ALÉATOIRE

Voir la figure 1, page 13.

Avant d'essayer d'utiliser ce produit, se familiariser avec toutes ses fonctions, tous ses dispositifs de sécurité et toutes les règles de sécurité d'utilisation.

POIGNÉE AVANT RÉGLABLE

Pour faciliter l'utilisation, la poignée avant peut être ajustée au moyen de la clé hexagonale fournie.

PLATEAU PORTE-DISQUE

Le coussinet à boucles permet d'installer les disques abrasifs facilement et rapidement.

ENROULEUR DE CORDON

Cordon d'alimentation de 12 pi (3,65 m) avec enrouleur intégré.

SÉLECTEUR D'ORBITE ALÉATOIRE

Le mouvement orbital aléatoire assure le chevauchement des passes en combinant le mouvement orbital et la rotation. Ce chevauchement des mouvements de ponçage assure une coupe rapide et un excellent ponçage.

SAC À POUSSIÈRE

Le sac se monte sur la ponceuse pour réduire le dégagement de poussière à un minimum.

CONCEPTION ERGONOMIQUE

Cette ponceuse à orbite aléatoire est conçue pour pouvoir être tenue confortablement et aisément dans différentes positions et à différents angles.

FREIN DE COUSSINET INTÉGRÉ

Le frein de coussinet intégré empêche le « dépassement de rotation ». Ce dispositif évite les rayures lorsque la ponceuse est appliquée sur la pièce ou en est retirée.

FICHE LUMINEUSE

La fiche lumineuse permet d'identifier rapidement les outils sous tension

BOUTON DE VERROUILLAGE

Ce bouton permet de verrouiller la gâchette en position de **MARCHE**. Le verrouillage de la gâchette permet de poncer en continu.

DÉMARRAGE GRADUEL

Lorsqu'une vitesse est sélectionnée et que la ponceuse est arrêtée, elle reprend graduellement la vitesse sélectionnée lorsque la gâchette est de nouveau enfoncée.

ADAPTATEUR D'ASPIRATION

Cet adaptateur permet de connecter un tube de dépoussiérage de 1 1/4 ou 2 1/4 po (3,2 ou 6,4 cm) de diamètre pour aider à garder l'atelier propre.

COMMANDE DE VITESSE VARIABLE

Cette commande permet de régler la vitesse de la ponceuse de 4 000 à 10 000 orbites/min en réglant le sélecteur sur les positions **A (minimum)** à **F (maximum)**.

ASSEMBLAGE

DÉBALLAGE

Ce produit a été expédié complètement assemblé.

- Avec précaution, sortir l'outil et les accessoires de la boîte. S'assurer que toutes les pièces figurant sur la liste de contrôle sont incluses.

AVERTISSEMENT :

Ne pas utiliser le produit s'il n'est pas complètement assemblé ou si des pièces semblent manquantes ou endommagées. Le fait d'utiliser un produit assemblé de façon inadéquate ou incomplète peut entraîner des blessures graves.

-
- Examiner soigneusement l'outil pour s'assurer que rien n'a été brisé ou endommagé en cours de transport.
 - Ne pas jeter les matériaux d'emballage avant d'avoir soigneusement examiné l'outil et avoir vérifié qu'il fonctionne correctement.
 - Si des pièces sont manquantes ou endommagées, obtenir de l'aide en composant le 1-866-539-1710.

LISTE DE CONTRÔLE D'EXPÉDITION

Ponceuse à orbite aléatoire

Disques abrasifs de grain 80 (3)

Poignée

Sac à poussière

Clé hexagonale

Manuel d'utilisation

UTILISATION

AVERTISSEMENT :

Ne pas laisser la familiarité avec les outils faire oublier la prudence. Ne pas oublier qu'une fraction de seconde d'inattention peut entraîner des blessures graves.

AVERTISSEMENT :

Toujours porter une protection oculaire certifiée conforme à la norme ANSI Z87.1. Si cette précaution n'est pas prise, des objets peuvent être projetés dans les yeux et causer des lésions graves.

AVERTISSEMENT :

Si des pièces manquent ou sont endommagées, ne pas utiliser cet outil avant qu'elles aient été remplacées. L'utilisation sûre de ce produit avec les pièces manquantes ou endommagées pourrait entraîner des blessures graves.

AVERTISSEMENT :

Ne pas essayer de modifier cet outil ou de créer des accessoires non recommandés pour l'outil. De telles altérations ou modifications sont considérées comme un usage abusif et peuvent créer des conditions dangereuses, risquant d'entraîner des blessures graves.

AVERTISSEMENT :

Ne pas brancher sur le secteur avant d'avoir terminé l'assemblage. Le non-respect de cet avertissement peut causer un démarrage accidentel, entraînant des blessures graves.

AVERTISSEMENT :

Ne pas utiliser d'outils ou accessoires non recommandés pour cet outil. L'utilisation de pièces et accessoires non recommandés peut entraîner des blessures graves.

APPLICATIONS

Cet outil peut être utilisé pour les applications ci-dessous :

- Ponçage du bois ou de dérivés du bois.
- Ponçage des surfaces en acier.
- Élimination de la rouille sur l'acier.

INSTALLATION DE LA POIGNÉE AVANT

Voir la figure 2, page 13.

- Débrancher la ponceuse.
- Mettre la poignée sur la position désirée.

UTILISATION

- Pour serrer la poignée, insérer la clé hexagonale dans son trou pour engager la vis se trouvant à l'intérieur, et tourner vers la droite.

CHOIX DE DISQUE ABRASIF

Le choix de la taille de grain et du type de disque abrasif est essentiel pour l'obtention d'un ponçage de qualité. L'usage d'aluminium, de carbure de silicium et d'autres abrasifs synthétiques est recommandé pour les ponceuses électriques. Les abrasifs naturels, tels que le silex et le grenat sont trop tendres pour un usage économique avec les ponceuses électriques.

En général, les grains les plus grossiers sont utilisés pour enlever la plus grande partie du matériau, et les grains les plus fins pour obtenir le meilleur fini possible. L'état de la surface à poncer détermine la taille de grain à utiliser. Si la surface est rugueuse, commencer avec un grain grossier pour la rendre uniforme. Un grain moyen peut ensuite être employé pour supprimer les rayures laissées par le grain grossier, avant d'utiliser le grain le plus fin pour obtenir une surface lisse. Toujours poncer avec chaque grain jusqu'à ce que la surface soit uniforme.

INSTALLATION D'UN DISQUE ABRASIF À BOUCLES ET CROCHETS

Voir la figure 3, page 13.

Installation des disques abrasifs à boucles et crochets :

- Débrancher la ponceuse.
- Aligner les trous du disque abrasif sur ceux du coussinet à boucles et crochets.
- Presser le disque abrasif contre le coussinet le plus fermement possible.

NOTE : Pour obtenir la meilleure adhésion possible nous recommandons de nettoyer le coussinet et le disque abrasif périodiquement avec une petite brosse.

SÉLECTION DU DIAMÈTRE D'ORBITE

Voir la figure 4, page 13.

La ponceuse à orbite aléatoire offre deux réglages d'orbite : Le réglage le plus bas de 1/8 po (3,2 mm) permet d'obtenir un fini plus fin et le réglage élevé de 1/4 po (6,4 mm) assure un ponçage plus rapide.

La ponceuse étant tenue en position normale d'utilisation, le sélecteur d'orbite aléatoire doit être tourné vers la gauche de la gâchette pour obtenir une orbite de 1/4 po (6,4 mm) de diamètre. La perceuse étant tenue en position normale d'utilisation, le sélecteur d'orbite aléatoire doit être tourné vers la droite de la gâchette pour obtenir une orbite de 1/8 po (3,2 mm) de diamètre.

COMMANDE DE VITESSE VARIABLE

Voir la figure 5, page 13.

La commande de vitesse variable permet de régler la vitesse de la position A à la position F. Le sélecteur est commodément placé sur le boîtier du moteur, ce qui permet à

l'opérateur de contrôler la vitesse de rotation. Pour accroître la vitesse, tourner le sélecteur sur une valeur plus élevée. Pour réduire la vitesse, tourner le sélecteur sur une valeur plus basse.

Réglages de vitesse :

Vitesse	Surface / application
A - B	plastique, plexiglass
C - D	polissage de métaux, décapage
E - F	Ponçage grossier et fin du bois

MISE EN PLACE DU SAC À POUSSIÈRE

Voir la figure 6, page 13.

Le sac recueille la poussière produite par la ponceuse. Pendant le ponçage, la poussière est aspirée par les trous du coussinet et envoyée au sac arrière.

Installation du sac à poussière :

- Débrancher la ponceuse.
- Glisser le sac à poussière sur l'orifice d'échappement et le tourner vers la droite pour le verrouiller.

RACCORDEMENT DE LA PONCEUSE À UN ASPIRATEUR

Voir la figure 7, page 14.

Raccordement de la ponceuse à un aspirateur :

- Débrancher la ponceuse.
- Tourner le sac vers la gauche pour le retirer de la ponceuse.
- Brancher le tuyau de l'aspirateur sur l'adaptateur.

AVERTISSEMENT

Lorsque la ponceuse n'est pas raccordée à un aspirateur, elle doit toujours être équipée du sac à poussière. Si cette précaution n'est pas prise, de la sciure ou d'autres objets peuvent être projetées dans les yeux et causer des lésions graves.

NOTE : Un tuyau d'aspirateur standard de 1 1/4 po (32 mm) s'emboîte dans le trou du plus petit diamètre de la sortie d'air et un tuyau d'aspirateur standard de 2 1/2 po (64 mm) dans le trou du plus grand diamètre.

MISE EN MARCHÉ / ARRÊT DE LA PONCEUSE

Voir la figure 8, page 14.

Pour mettre la ponceuse en marche, appuyer sur la gâchette. Pour **arrêter** la ponceuse, relâcher la gâchette.

VERROUILLAGE DE LA GÂCHETTE

Voir la figure 8, page 14.

Cette perceuse est dotée d'un bouton de verrouillage de la gâchette, commode pour le perçage en continu prolongé.

UTILISATION

AVERTISSEMENT :

Avant de brancher la ponceuse sur une prise secteur, toujours vérifier que la gâchette n'est pas verrouillée. Ne pas prendre cette précaution peut causer un démarrage accidentel, entraînant des blessures graves.

Pour verrouiller la gâchette :

- Appuyer sur la gâchette.
- Enfoncer le bouton de verrouillage
- Relâcher la gâchette.
- Relâcher le bouton de verrouillage.

NOTE : Pour désengager le verrouillage, appuyer sur la gâchette.

Si la fonction de verrouillage est engagée pendant l'utilisation et la ponceuse est accidentellement débranchée du secteur, désengager le verrouillage immédiatement. En outre, ne pas verrouiller la gâchette s'il peut s'avérer nécessaire d'arrêter immédiatement la ponceuse.

UTILISATION DE LA PONCEUSE

Voir la figure 9, page 14.

Pour utiliser la ponceuse :

- Assujettir la pièce à poncer pour l'immobiliser sous la ponceuse pendant le fonctionnement.
-

AVERTISSEMENT :

Une pièce non assujettie risque d'être projetée vers l'opérateur et de le blesser.

AVERTISSEMENT :

Garder la tête loin de la ponceuse et de l'endroit poncé. Les cheveux pourraient se prendre dans l'outil, ce qui causerait des blessures graves.

- Placer la ponceuse sur la pièce, en veillant à ce que toute la surface du disque abrasif soit en contact avec la surface à poncer.
-

ATTENTION :

Pour éviter des dommages au moteur causés par une surchauffe, veiller à ne pas laisser la main couvrir les ouïes d'aération.

- Mettre la ponceuse en marche et la déplacer lentement sur la pièce. Effectuer des passes successives en ligne parallèles, cercles ou mouvements croisés.
- Arrêter la ponceuse et attendre l'arrêt complet du disque abrasif avant de la retirer de la pièce.

Ne pas forcer. Son poids fournit une pression suffisante pour s'acquitter de la tâche. Une pression supplémentaire ne fait que ralentir le moteur, user rapidement la feuille abrasive et réduire considérablement la vitesse du ponçage. Une pression excessive surcharge le moteur, qui risque d'être endommagé par une surchauffe et nuit à la qualité des résultats. Tout revêtement ou toute résine se trouvant sur le bois peut fondre sous la chaleur créée par la friction. Ne pas tenir la ponceuse trop longtemps au même endroit car elle agit rapidement et pourrait enlever trop de matériau, laissant une surface inégale.

Un ponçage prolongé peut causer une surchauffe du moteur. Dans ce cas, arrêter la ponceuse et attendre l'arrêt complet de la feuille abrasive. Retirer la ponceuse de la pièce. Retirer le disque abrasif, puis mettre la ponceuse en marche, et la laisser fonctionner à vide pour refroidir le moteur.

VIDAGE DU SAC À POUSSIÈRE

Voir la figure 10, page 14.

Pour un fonctionnement plus efficace, vider le sac à poussière avant qu'il soit à moitié plein. Ceci permettra à l'air de mieux passer au travers du sac. Toujours vider et nettoyer soigneusement le sac après avoir terminé un travail de ponçage et avant de remiser la ponceuse.

AVERTISSEMENT :

La poussière produite lors du ponçage de revêtements de surface tels que le polyuréthane, l'huile de lin, etc., peut s'enflammer spontanément à l'intérieur ou à l'extérieur du sac et causer un incendie. Pour réduire le risque d'incendie, vider fréquemment le sac à poussière pendant le ponçage et ne jamais laisser ou remiser la ponceuse sans avoir complètement vidé le sac. En outre, suivre les recommandations des fabricants de revêtements.

Vidage du sac à poussière :

- Débrancher la ponceuse.
 - Retirer le sac à poussière de la ponceuse.
 - Secouer le sac pour le débarrasser de la poussière.
 - Remettre le sac à poussière en place sur la ponceuse.
- Pour un nettoyage plus complet du sac à poussière, le retirer de son support et le secouer. Remettre le sac en place sur son support et réinstaller l'ensemble sur la ponceuse.
-

ENTRETIEN

AVERTISSEMENT :

Utiliser exclusivement des pièces RIDGID d'origine pour les réparations. L'usage de toute autre pièce pourrait créer une situation dangereuse ou endommager l'outil.

AVERTISSEMENT :

Toujours porter une protection oculaire certifiée conforme à la norme ANSI Z87.1. Si cette précaution n'est pas prise, des objets peuvent être projetés dans les yeux et causer des lésions graves.

ENTRETIEN GÉNÉRAL

Éviter d'utiliser des solvants pour le nettoyage des pièces en plastique. La plupart des matières plastiques peuvent être endommagées par divers types de solvants du commerce. Utiliser un chiffon propre pour éliminer la saleté, la poussière, l'huile, la graisse, etc.

AVERTISSEMENT :

Ne jamais laisser de liquides tels que le fluide de freins, l'essence, les produits à base de pétrole, les huiles pénétrantes, etc., entrer en contact avec les pièces en plastique. Les produits chimiques peuvent endommager, affaiblir ou détruire le plastique, ce qui peut entraîner des blessures graves.

Les outils électriques utilisés sur la fibre de verre, le placoplâtre, les mastics de bouchage ou le plâtre s'usent plus vite et sont susceptibles de défaillance prématurée, car les particules et les éclats de fibre de verre sont fortement abrasifs pour les roulements, balais, commutateurs, etc. Toutefois, si l'outil a été utilisé sur l'un de ces matériaux, il est extrêmement important de le nettoyer à l'air comprimé.

LUBRIFICATION

Tous les roulements de cet outil sont enduits d'une quantité suffisante de lubrifiant de haute qualité pour la durée de vie de l'outil, dans des conditions d'utilisation normales. Aucune autre lubrification n'est donc nécessaire.

REPLACEMENT DES BALAIS

Voir la figure 11, page 14.

- Débrancher la ponceuse.
-

AVERTISSEMENT :

Ne pas débrancher la ponceuse peut causer un démarrage accidentel, entraînant des blessures graves.

- Retirer les 7 vis du couvercle supérieur de la ponceuse.
- Retirer le couvercle.
- Débrancher les cosses des tubes de balais.
- Retirer les balais (2).
- Regarder s'ils sont usés. Remplacer les deux balais lorsque la longueur du carbone est de 5 mm (1/4 po) ou moins. Ne jamais remplacer un seul balai.
- Installer les nouveaux balais. S'assurer que la courbure des balais correspond à celle du moteur et que les balais tournent librement dans leurs tubes.
- Réinstaller les balais en reprenant la procédure de démontage ci-dessus à l'inverse.
- Serrer toutes les vis fermement. **Ne pas** trop serrer.

NOTE: FIGURES (ILLUSTRATIONS) COMMENÇANT SUR 13 DE PAGE APRÈS LE SECTION ESPAGNOL.

GARANTIE

OUTILS ÉLECTRIQUES À MAIN ET D'ÉTABLI RIDGID® GARANTIE LIMITÉE DE SERVICE DE 3 ANS

Une preuve d'achat doit être présentée pour toute demande de réparation sous garantie.

Cette garantie se limite aux outils électriques à main et d'établi RIDGID® achetés à partir du 1/2/04. Ce produit est fabriqué par One World Technologies, Inc., sous licence de marque de RIDGID, Inc. Toutes les communications de garantie doivent être adressées à One World Technologies, Inc., à l'attention de : Service technique des outils motorisés à main et d'établi RIDGID, au 1-866-539-1710 (appel gratuit).

POLITIQUE DE SATISFACTION ASSURÉE DE 90 JOURS

En cas de non satisfaction pour quelque raison que ce soit au cours des 90 jours suivant la date d'achat de cet outil à main ou d'établi RIDGID®, il pourra être retourné au point de vente pour échange ou remboursement intégral. Pour obtenir un outil en échange, l'équipement original devra être retourné, dans son emballage d'origine, accompagné d'une preuve d'achat. L'outil fourni en échange sera couvert par la garantie limitée pour le restant de la période de validité de 3 ANS.

CE QUI EST COUVERT PAR LA GARANTIE LIMITÉE DE 3 ANS

Cette garantie sur les outils électriques à main et d'établi RIDGID® couvre tous les vices de matériaux et de fabrication, ainsi que les articles de consommation courants, tels que balais, mandrins, moteurs, commutateurs, cordons, engrenages et même les batteries d'outils sans fil de cet outil RIDGID®, pour une période de trois ans, à compter de la date d'achat. Les garanties d'autres produits RIDGID® peuvent être différentes.

RÉPARATIONS SOUS GARANTIE

Pour toute réparation sous garantie, cet outil RIDGID® devra être retourné, en port payé, à un centre de réparations RIDGID® pour outils motorisés à main et d'établi agréé. L'adresse du centre de réparations agréé le plus proche peut être obtenue en appelant le 1-866-539-1710 (appel gratuit), ou en accédant au site Internet RIDGID® : www.ridgid.com. Le centre de réparations agréé corrigera tout défaut de fabrication et réparera ou remplacera (à notre choix) gratuitement, toute pièce défectueuse.

CE QUI N'EST PAS COUVERT

La garantie ne couvre que l'acheteur au détail original et n'est pas transférable. Cette garantie ne couvre pas les problèmes de fonctionnement, défaillances ou autres défauts résultant d'un usage incorrect ou abusif, de la négligence, de la modification, de l'altération ou de réparations effectuées par quiconque autre qu'un centre de réparations d'outils motorisés à main et d'établi RIDGID®. Les articles de consommation fournis avec cet outil, tels que, mais sans y être limité, les lames, embouts et abrasifs, ne sont pas couverts.

RIDGID, INC., ET ONE WORLD TECHNOLOGIES, INC. NE FONT AUCUNE AUTRE GARANTIE, REPRÉSENTATION OU PROMESSE CONCERNANT LA QUALITÉ ET LES PERFORMANCES DE SES OUTILS MOTORISÉS, AUTRES QUE CELLES EXPRESSÉMENT INDIQUÉES DANS LE PRÉSENT DOCUMENT.

AUTRES LIMITATIONS

Sous réserve que les lois en vigueur le permettent, toutes les garanties implicites sont exclues, y compris les GARANTIES DE VALEUR MARCHANDE ou D'ADÉQUATION À UN USAGE PARTICULIER. Toutes les garanties implicites, y compris les garanties de valeur marchande ou d'adéquation à un usage particulier ne pouvant pas être exclues en raison des lois en vigueur, sont limitées à une durée de trois ans, à compter de la date d'achat. One World Technologies, Inc. et RIDGID, Inc. déclinent toute responsabilité pour les dommages directs ou indirects. Certains états et provinces ne permettant pas de limitation sur la durée des garanties implicites, et / ou l'exclusion ou la limitation des dommages directs ou indirects, les restrictions ci-dessus peuvent ne pas être applicables. Cette garantie donne au consommateur des droits spécifiques, et celui-ci peut bénéficier d'autres droits, qui varient selon les états ou provinces.

One World Technologies, Inc.

P.O. Box 35, Hwy. 8

Pickens, SC 29671, ÉTATS-UNIS

REGLAS DE SEGURIDAD GENERALES

ADVERTENCIA:

Lea todas las instrucciones. El incumplimiento de las instrucciones señaladas abajo puede causar descargas eléctricas, incendios y lesiones serias. El término “herramienta eléctrica” empleado en todos los avisos de advertencia enumerados abajo se refiere a las herramientas eléctricas de cordón (alámbricas) y de pilas (inalámbricas).

GUARDE ESTAS INSTRUCCIONES DE SEGURIDAD EN EL ÁREA DE TRABAJO

- **Mantenga limpia y bien iluminada el área de trabajo.** Un área de trabajo mal despejada o mal iluminada propicia accidentes.
- **No utilice herramientas motorizadas en atmósferas explosivas, como las existentes alrededor de líquidos, gases y polvos inflamables.** Las herramientas eléctricas generan chispas que pueden encender el polvo y los vapores inflamables.
- **Mantenga alejados a los niños y circunstantes al maniobrar una herramienta eléctrica.** Toda distracción puede causar la pérdida del control de la herramienta.

SEGURIDAD ELÉCTRICA

- **Las clavijas de las herramientas eléctricas deben corresponder a las tomas de corriente donde se conectan. Nunca modifique la clavija de ninguna forma. No utilice ninguna clavija adaptadora con herramientas eléctricas dotadas de contacto a tierra.** Conectando las clavijas originales en las tomas de corriente donde corresponden se disminuye el riesgo de una descarga eléctrica.
- **Evite el contacto del cuerpo con las superficies de objetos conectados a tierra, como las tuberías, radiadores, estufas y refrigeradores.** Existe un mayor riesgo de descargas eléctricas si el cuerpo está haciendo tierra.
- **No exponga las herramientas eléctricas a la lluvia ni a condiciones de humedad.** La introducción de agua en una herramienta eléctrica aumenta el riesgo de descargas eléctricas.
- **No maltrate el cordón eléctrico. Nunca utilice el cordón para trasladar, desconectar o tirar de la herramienta eléctrica. Mantenga el cordón lejos del calor, aceite, bordes afilados y piezas móviles.** Los cordones eléctricos dañados o enredados aumentan el riesgo de descargas eléctricas.
- **Al utilizar una herramienta eléctrica a la intemperie, use un cordón de extensión apropiado para el exterior.** Usando un cordón adecuado para el exterior se disminuye el riesgo de descargas eléctricas.

SEGURIDAD PERSONAL

- **Permanezca alerta, preste atención a lo que esté haciendo y aplique el sentido común al utilizar herramientas eléctricas. No utilice la herramienta eléctrica si está cansado o se encuentra bajo los efectos de alguna droga, alcohol o medicamento.** Un momento de inatención al utilizar una herramienta eléctrica puede causar lesiones corporales serias.
- **Use equipo de seguridad. Siempre póngase protección ocular.** El uso de equipo de seguridad como mascarilla para el polvo, calzado de seguridad, casco y protección para los oídos en las circunstancias donde corresponda disminuye el riesgo de lesiones.
- **Evite un arranque accidental de la unidad. Asegúrese de que el interruptor esté en la posición de apagado antes de**

conectar la herramienta. Portar las herramientas eléctricas con el dedo en el interruptor, o conectarlas con el interruptor puesto, propicia accidentes.

- **Retire toda llave o herramienta de ajuste antes de encender la herramienta eléctrica.** Toda llave o herramienta de ajuste dejada en una pieza giratoria de la herramienta eléctrica puede causar lesiones.
- **No estire el cuerpo para alcanzar mayor distancia. Mantenga una postura firme y buen equilibrio en todo momento.** De esta manera se logra un mejor control de la herramienta eléctrica en situaciones inesperadas.
- **Vístase adecuadamente. No vista ropas holgadas ni joyas. Mantenga el cabello, la ropa y los guantes alejados de las piezas móviles.** Las ropas holgadas y las joyas, así como el cabello largo, pueden engancharse en las piezas móviles.
- **Si se suministran dispositivos para conectar mangueras de extracción y captación de polvo, asegúrese de que éstas estén bien conectadas y se usen correctamente.** La utilización de estos dispositivos puede disminuir los peligros relacionados con el polvo.
- **No vista ropas holgadas ni joyas. Recójase el cabello si está largo.** Las ropas holgadas y las joyas, así como el cabello largo, pueden resultar atraídas hacia el interior de las aberturas de ventilación.
- **No utilice la unidad al estar en una escalera o en un soporte inestable.** Una postura estable sobre una superficie sólida permite un mejor control de la herramienta en situaciones inesperadas.

EMPLEO Y CUIDADO DE LA HERRAMIENTA ELÉCTRICA

- **No fuerce la herramienta eléctrica. Utilice la herramienta eléctrica adecuada para cada trabajo.** La herramienta eléctrica adecuada efectúa mejor y de manera más segura el trabajo, si además se maneja a la velocidad para la que está diseñada.
- **No utilice la herramienta si el interruptor no enciende ni se apaga.** Cualquier herramienta eléctrica que no pueda controlarse con el interruptor es peligrosa y debe repararse.
- **Desconecte la clavija del suministro de corriente o retire el paquete de pilas de la herramienta eléctrica, según sea el caso, antes de efectuarle cualquier ajuste, cambiarle accesorios o guardarla.** Tales medidas preventivas de seguridad reducen el riesgo de poner en marcha accidentalmente la herramienta eléctrica.
- **Guarde las herramientas eléctricas desocupadas fuera del alcance de los niños y no permita que las utilicen personas no familiarizadas con las mismas o con estas instrucciones.** Las herramientas son peligrosas en manos de personas no capacitadas en el uso de las mismas.
- **Preste mantenimiento a las herramientas eléctricas. Revise para ver si hay desalineación o atoramiento de piezas móviles, ruptura de piezas o toda otra condición que pueda afectar el funcionamiento de la herramienta eléctrica. Si está dañada la herramienta eléctrica, permita que la reparen antes de usarla.** Numerosos accidentes son causados por herramientas eléctricas mal cuidadas.
- **Mantenga las herramientas de corte afiladas y limpias.** Las herramientas de corte bien cuidadas y con bordes bien afilados, tienen menos probabilidad de atascarse en la pieza de trabajo y son más fáciles de controlar.
- **Utilice la herramienta eléctrica, los accesorios y brocas, hojas de corte, ruedas de esmeril, etc. de conformidad con estas instrucciones, y de la forma apropiada para cada una de dichas herramientas, tomando en cuenta las condiciones de trabajo y la tarea por realizar.** Si se utiliza la herramienta eléctrica para operaciones diferentes de las indicadas, podría originar una situación peligrosa.

REGLAS DE SEGURIDAD GENERALES

SERVICIO

- Permita que un técnico de reparación calificado preste servicio a la herramienta eléctrica, y sólo con piezas de repuesto idénticas. De esta manera, se mantiene la seguridad de la herramienta eléctrica.

ADVERTENCIA:

Para reducir el riesgo de lesiones, el usuario debe leer el manual de instrucciones.

- Al dar servicio a una herramienta eléctrica, sólo utilice piezas de repuesto idénticas. Siga las instrucciones señaladas en la sección “Mantenimiento” de este manual. El empleo de piezas no autorizadas o el incumplimiento de las instrucciones de mantenimiento puede significar un riesgo de descarga eléctrica o de lesiones.

REGLAS DE SEGURIDAD ESPECÍFICAS

- Sujete la herramienta eléctrica por las superficies aisladas de sujeción al efectuar una operación en la cual la herramienta de corte pueda entrar en contacto con cables ocultos o con su propio cordón eléctrico. Con cualquier contacto de una herramienta de corte con un cable cargado se cargan las piezas metálicas expuestas de la herramienta de corte y recibe una descarga eléctrica el operador.
- Familiarícese con su herramienta eléctrica. Lea cuidadosamente el manual del operador. Aprenda sus usos y limitaciones, así como los posibles peligros específicos de esta herramienta. Con el cumplimiento de esta regla se reduce el riesgo de una descarga eléctrica, incendio o lesión seria.
- Siempre póngase protección ocular con la marca de cumplimiento de la norma ANSI Z87.1. Con el cumplimiento de esta regla se reduce el riesgo de lesiones corporales serias.
- Protéjase los pulmones. Use una careta o mascarilla contra el polvo si la operación genera mucho polvo. Con el cumplimiento de esta regla se reduce el riesgo de lesiones serias.
- Protéjase los oídos. Durante períodos prolongados de utilización del producto, póngase protecteur d'oreille. Con el cumplimiento de esta regla se reduce el riesgo de lesiones serias.
- Inspeccione periódicamente los cordones eléctricos de las herramientas, y si están dañados, permita que los reparen en el centro de servicio autorizado más cercano de la localidad. Observe constantemente la ubicación del cordón eléctrico. Con el cumplimiento de esta regla se reduce el riesgo de una descarga eléctrica o incendio.
- Revise para ver si hay piezas dañadas. Antes de seguir utilizando la herramienta, es necesario inspeccionar

cuidadosamente toda protección o pieza dañada para determinar si funcionará correctamente y desempeñará la función a la que está destinada. Verifique la alineación de las partes móviles, que no haya atoramiento de las mismas, que no haya piezas rotas, el montaje de las piezas y cualquier otra condición que pudiera afectar su funcionamiento. Toda protección o pieza que esté dañada debe repararse apropiadamente o reemplazarse en un centro de servicio autorizado. Con el cumplimiento de esta regla se reduce el riesgo de una descarga eléctrica, incendio o lesión grave.

- Asegúrese de que esté en buen estado el cordón de extensión. Al utilizar un cordón de extensión, utilice uno del suficiente calibre para soportar la corriente que consume el producto. Se recomienda que los conductores sean de calibre 16 (A.W.G.) por lo menos, para un cordón de extensión de 15 metros (50 pies) de largo o menos. No se recomienda utilizar un cordón con más de 100 pies (30 metros) de largo. Si tiene dudas, utilice un cordón del calibre más grueso siguiente. Cuanto menor es el número de calibre, mayor es el grueso del cordón. Un cordón de un calibre insuficiente causa una caída en el voltaje de línea, y produce recalentamiento y pérdida de potencia.
- Inspeccione la madera y elimine todos los clavos presentes en la misma antes de usar esta herramienta. Con el cumplimiento de esta regla se reduce el riesgo de lesiones serias.
- Guarde estas instrucciones. Consúltelas con frecuencia y empléelas para instruir a otras personas que puedan utilizar esta herramienta. Si presta a alguien esta herramienta, facilítele también las instrucciones.

ADVERTENCIA:




Algunos polvos generados al efectuarse operaciones de lijado, aserrado, esmerilado, taladrado y de otros tipos en la construcción, contienen compuestos químicos sabidamente causantes de cáncer, defectos congénitos y otras afecciones del aparato reproductor. Algunos ejemplos de estas sustancias químicas son:

- plomo de las pinturas a base de plomo,
- silicio cristalino de los ladrillos, del cemento y de otros productos de albañilería, y
- arsénico y cromo de la madera químicamente tratada.






El riesgo de la exposición a estos compuestos varía, según la frecuencia con que se realice este tipo de trabajo. Para reducir la exposición personal a este tipo de compuestos: trabaje en áreas bien ventiladas, y con equipo de seguridad aprobado, tal como las caretas para el polvo especialmente diseñadas para filtrar partículas microscópicas.

SÍMBOLOS

Las siguientes palabras de señalización y sus significados tienen el objeto de explicar los niveles de riesgo relacionados con este producto.

SÍMBOLO	SEÑAL	SIGNIFICADO
	PELIGRO:	Indica una situación peligrosa inminente, la cual, si no se evita, causará la muerte o lesiones serias.
	ADVERTENCIA:	Indica una situación peligrosa posible, la cual, si no se evita, podría causar la muerte o lesiones serias.
	PRECAUCIÓN:	Indica una situación peligrosa posible, la cual, si no se evita, podría causar lesiones menores o leves.
	PRECAUCIÓN:	(Sin el símbolo de alerta de seguridad) Indica una situación que puede producir daños materiales.

Es posible que se empleen en este producto algunos de los siguientes símbolos. Le suplicamos estudiarlos y aprender su significado. Una correcta interpretación de estos símbolos le permitirá utilizar mejor y de manera más segura el producto.

SÍMBOLO	NOMBRE	DENOMINACIÓN/EXPLICACIÓN
	Alerta de seguridad	Indica un peligro posible de lesiones personales.
V	Volts	Voltaje
A	Amperes	Corriente
Hz	Hertz	Frecuencia (ciclos por segundo)
min	Minutos	Tiempo
~	Corriente alterna	Tipo de corriente
n ₀	Velocidad en vacío	Velocidad de rotación, en vacío
	Fabricación Clase II	Fabricación con doble aislamiento
.../min	Por minuto	Revoluciones, carreras, velocidad superficial, órbitas, etc., por minuto
	Alerta de condiciones húmedas	No exponga la unidad a la lluvia ni la use en lugares húmedos.
	Lea el manual del operador	Para reducir el riesgo de lesiones, el usuario debe leer y comprender el manual del operador antes de usar este producto.
	Protección ocular	Siempre póngase protección ocular con la marca de cumplimiento de la norma ANSI Z87.1.

ASPECTOS ELÉCTRICOS

DOBLE AISLAMIENTO

El doble aislamiento es una característica de seguridad de las herramientas eléctricas, la cual elimina la necesidad de usar el típico cordón eléctrico de tres conductores con conexión a tierra. Todas las partes metálicas expuestas están aisladas de los componentes metálicos internos del motor por medio de aislamiento de protección. No es necesario conectar a tierra las herramientas con doble aislamiento.

ADVERTENCIA:

El sistema de doble aislamiento está destinado para proteger al usuario contra las descargas eléctricas resultantes de la ruptura del cableado interno de la herramienta. Observe todas las precauciones de seguridad para evitar descargas eléctricas.

NOTA: El mantenimiento de una herramienta con doble aislamiento requiere sumo cuidado y conocimiento del sistema, y únicamente deben realizarlo técnicos de servicio calificados. Para el servicio de la herramienta, le sugerimos llevarla al centro de servicio autorizado más cercano para toda reparación. Siempre utilice piezas de repuesto de la fábrica original al dar servicio a la unidad.

CONEXIÓN ELÉCTRICA

Esta herramienta dispone de un motor eléctrico fabricado con precisión. Debe conectarse únicamente a **un suministro de voltaje de 120 V, 60 Hz, corriente alterna solamente (corriente normal para uso doméstico)**. No utilice esta herramienta con corriente continua (c.c.). Una caída considerable de voltaje causa una pérdida de potencia y el recalentamiento del motor. Si la herramienta no funciona al conectarla en una toma de corriente, vuelva a verificar el suministro de voltaje.

CORDONES DE EXTENSIÓN

Al utilizar una herramienta eléctrica a una distancia considerable de la fuente de voltaje, asegúrese de utilizar un cordón de extensión con la suficiente capacidad para soportar la corriente de consumo de la herramienta. Un cordón de un calibre insuficiente causa una caída en el voltaje de línea, la cual a su vez produce recalentamiento y pérdida de potencia. Básese en la tabla suministrada para determinar el grueso mínimo requerido del cordón de extensión. Solamente deben utilizarse cordones con forro redondo registrados en Underwriter's Laboratories (UL).

Al trabajar a la intemperie con una herramienta, utilice un cordón de extensión fabricado para uso en el exterior. Este tipo de cordón lleva las letras "W-A" o "W" en el forro.

Antes de utilizar un cordón de extensión, inspecciónelo para ver si tiene conductores flojos o expuestos y aislamiento cortado o gastado.

**Amperaje (aparece en la placa de datos de la herramienta)

Longitud del cordón	Calibre conductores (A.W.G.)					
	0-2,0	2,1-3,4	3,5-5,0	5,1-7,0	7,1-12,0	12,1-16,0
25'	16	16	16	16	14	14
50'	16	16	16	14	14	12
100'	16	16	14	12	10	—

**Se usa en los circuitos de calibre 12, de 20 amperes.

NOTA: AWG = American Wire Gauge

ADVERTENCIA:

Mantenga el cordón de extensión fuera del área de trabajo. Al trabajar con una herramienta eléctrica, coloque el cordón de tal manera que no pueda enredarse en la madera, herramientas ni en otras obstrucciones. La inobservancia de esta advertencia puede causar lesiones serias.

ADVERTENCIA:

Inspeccione los cordones de extensión cada vez antes de usarlos. Si están dañados, reemplácelos de inmediato. Nunca utilice la herramienta con un cordón dañado, ya que si toca la parte dañada puede producirse una descarga eléctrica, y las consecuentes lesiones serias.

CARACTERÍSTICAS

ESPECIFICACIONES DEL PRODUCTO

Diámetro del disco de lija..... 15,2 cm (6 pulg.)
Diámetro de la órbita.....3,2 ó 6,4 mm (1/8 ó 1/4 pulg.)
Velocidad en vacío 4 000 – 10 000 rev/min

Corriente de entrada 120 V, 60 H, 4 A, sólo corr. alt.
Peso neto 2,8 kg (6,3 lb)

FAMILIARÍCESE CON SU LIJADORA ORBITAL ALEATORIA

Vea la figura 1, página 13.

Antes de intentar utilizar este producto, familiarícese con todas las características de funcionamiento y normas de seguridad de la unidad.

MANGO DELANTERO AJUSTABLE

Para mayor facilidad de manejo, el mango delantero puede ajustarse con la llave hexagonal suministrada.

ALMOHADILLA DE RESPALDO

La almohadilla de gancho y lazada permite colocar de forma rápida y fácil los discos de lija.

SOPORTE PARA ENROLLAR EL CORDÓN

El cordón de corriente, de 3,7 metros (12 pies), dispone de un soporte integrado para enrollarlo.

SELECTOR DUAL DE ÓRBITA ALEATORIA

El movimiento orbital aleatorio produce movimientos de lijado superpuestos al combinar movimiento giratorio y orbital. Estos movimientos de lijado superpuestos producen una acción de corte rápido con resultados excelentes en el lijado.

SACO CAPTADOR

El saco captador se conecta a la lijadora y sirve para mantener a un nivel mínimo la emisión de polvo.

DISEÑO ERGONÓMICO

La lijadora orbital aleatoria está diseñada para brindar comodidad y facilidad de manejo en diferentes posiciones y ángulos.

ALMOHADILLA DE FRENO INTEGRADA

La almohadilla de freno integrada evita el “sobregiro”. Esta característica contribuye a eliminar el problema de rasguños de lijado cuando se aplica la lijadora a la superficie de trabajo, o se retira de ésta.

CLAVIJA ILUMINADA

La clavija iluminada permite identificar fácilmente las herramientas portadoras de corriente.

BOTÓN DEL SEGURO DE ENCENDIDO

El seguro de encendido permite inmovilizar el gatillo del interruptor en la posición de encendido (**ON**). Asegurar el gatillo del interruptor en la posición de encendido permite utilizar la lijadora durante períodos de tiempo prolongados.

ARRANQUE SUAVE

Cuando se selecciona una velocidad con el selector de velocidad y se apaga la lijadora y luego se activa de nuevo, ésta desarrolla gradualmente la velocidad fijada en el ajuste previo una vez que se oprime de nuevo el gatillo del interruptor.

ADAPTADOR DE VACÍO

El adaptador de vacío permite conectar una manguera de vacío de 3,2 ó 6,5 cm (1 1/4 ó 2 1/2 pulg.) de diámetro para ayudar a mantener limpia el área de trabajo.

SELECTOR GIRATORIO DE VELOCIDAD

La característica de velocidad variable permite que la lijadora desarrolle en vacío velocidades de 4 000 a 10 000 órbitas por minuto con sólo girar el selector giratorio de la **A (la más lenta)** a la **F (la más rápida)**.

ARMADO

DESEMPAQUETADO

Embarcamos este producto completamente armado.

- Extraiga cuidadosamente de la caja la herramienta y los accesorios. Asegúrese de que estén presentes todos los artículos enumerados en la lista de empaquetado.

ADVERTENCIA:

No use este producto si no está totalmente ensamblado o si alguna pieza falta o está dañada. Si utiliza un producto que no se encuentra ensamblado de forma correcta y completa, puede sufrir lesiones graves.

-
- Inspeccione cuidadosamente la herramienta para asegurarse de que no haya sufrido ninguna rotura o daño durante el transporte.
 - No deseche el material de empaquetado sin haber inspeccionado cuidadosamente la herramienta y haberla utilizado satisfactoriamente.
 - Si hay piezas dañadas o faltantes, le suplicamos llamar al 1-866-539-1710, donde le brindaremos asistencia.

LISTA DE EMPAQUETADO

Lijadora Orbital Aleatoria
Disco de lija, grano #80 (3)
Conjunto del mango
Conjunto del saco captador
Llave hexagonal
Manual del operador

FUNCIONAMIENTO

ADVERTENCIA:

No permita que su familiarización con las herramientas lo vuelva descuidado. Tenga presente que un descuido de un instante es suficiente para causar una lesión seria.

ADVERTENCIA:

Siempre póngase protección ocular con la marca de cumplimiento de la norma ANSI Z87.1. Si no cumple esta advertencia, los objetos que salen despedidos pueden producirle lesiones serias en los ojos.

ADVERTENCIA:

Si hay piezas dañadas o faltantes, no utilice esta herramienta sin haber reemplazado todas las piezas. Usar este producto con falta o está dañada alguna pieza podría tener como resultado herida personal grave.

ADVERTENCIA:

No intente modificar esta herramienta ni hacer accesorios no recomendados para la misma. Cualquier alteración o modificación constituye maltrato el cual puede causar una condición peligrosa, y como consecuencia posibles lesiones corporales serias.

ADVERTENCIA:

No conecte la unidad al suministro de corriente antes de terminar de armarla. De lo contrario la unidad puede ponerse en marcha accidentalmente, con el consiguiente riesgo de lesiones serias.

ADVERTENCIA:

No utilice ningún aditamento o accesorio no recomendado por el fabricante de esta herramienta. El empleo de aditamentos o accesorios no recomendados podría causar lesiones serias.

APLICACIONES

Esta herramienta puede emplearse para los fines enumerados abajo:

- Lijado de superficies de productos de madera o de metal
- Lijado de superficies de acero
- Eliminación de herrumbre de superficies de acero

MONTAJE DEL MANGO DELANTERO

Vea la figura 2, página 13.

- Desconecte la lijadora.
- Coloque el mango en la posición deseada.

FUNCIONAMIENTO

- Para apretar el mango, introduzca la llave hexagonal en el agujero del mango y luego en el tornillo de cabeza hexagonal del interior, y finalmente gírelo a la derecha.

SELECCIÓN DE DISCOS DE LIJA

La selección del disco de lija del tipo adecuado y del grano de tamaño correcto es un paso importante en el logro de un lijado con acabado de alta calidad. Los abrasivos de óxido de aluminio, de carburo de silicón y otros productos sintéticos son los mejores para el lijado con herramientas eléctricas. Los abrasivos naturales, como el polvo de pedernal y de granate, son demasiado suaves para utilizarse de manera económica en el lijado con herramienta eléctrica.

En general, el grano grueso elimina más material, y el grano fino produce mejor acabado en todas las operaciones de lijado. El estado de la superficie por lijar determina cuál grano es el más adecuado. Si la superficie está áspera, comience con un grano grueso y líjela hasta que quede uniforme. El grano mediano puede utilizarse para eliminar rasguños producidos por el grano grueso, y el grano fino puede utilizarse para acabar la superficie. Siempre continúe lijando con cada grano hasta que esté uniforme la superficie.

COLOCACIÓN DE LOS DISCOS DE LIJA DE GANCHO Y LAZADA

Vea la figura 3, página 13.

Para colocar los discos de lija de gancho y lazada:

- Desconecte la lijadora.
- Alinee los orificios del disco de lija con los de la almohadilla de respaldo de gancho y lazada.
- Oprima el disco de lija contra la almohadilla de respaldo tan firmemente como sea posible.

NOTA: Para lograr una adhesión óptima, le recomendamos limpiar ocasionalmente la almohadilla de respaldo y el disco de lija; para ello, cepíllelos ligeramente con un cepillo pequeño.

SELECCIÓN DEL DIÁMETRO DE LA ÓRBITA

Vea la figura 4, página 13.

El selector dual de órbita aleatoria permite escoger una de dos órbitas: con el ajuste de órbita de 3,2 mm (1/8 pulg.) se produce un acabado más fino de la superficie, mientras que con el ajuste de la órbita de 6,4 mm (1/4 pulg.) se aumenta la rapidez de remoción de material.

Teniendo la lijadora sostenida en la posición normal de trabajo, el selector de órbita debe ponerse a la izquierda del gatillo del interruptor para escoger la órbita de 6,4 mm (1/4 pulg.). El selector de órbita debe ponerse a la derecha del gatillo del interruptor para escoger la órbita de 3,2 mm (1/8 pulg.).

SELECTOR GIRATORIO DE VELOCIDAD

Vea la figura 5, página 13.

El selector de velocidad variable permite a la lijadora funcionar a velocidades ajustables mediante el giro del selector de la letra "A" a la "F". El selector está convenientemente situado en el alojamiento del motor, lo cual permite al operador

controlar la velocidad del disco. Para aumentar la velocidad del disco de lija, gire el selector de velocidad a una marca superior. Para disminuir la velocidad del disco de lija gire el selector a una marca inferior.

Las velocidades recomendadas son las siguientes:

Velocidad	Superficie/Aplicación
A - B	plástico, plexiglás
C - D	acabado de metales, remoción de pintura vieja
E - F	lijado basto y fino de madera

MONTAJE DEL SACO CAPTADOR

Vea la figura 6, página 13.

El saco captador sirve de sistema de captación de polvo de la lijadora. El polvo de lijado se extrae a través de los orificios del disco de lija y se recolecta en el saco captador durante el lijado.

Para instalar el saco captador:

- Desconecte la lijadora.
- Monte el conjunto del saco captador en el tubo de salida del soplador, y gírelo a la derecha para apretarlo.

ACOPLAMIENTO DE LA LIJADORA A UNA ASPIRADORA

Vea la figura 7, página 14.

Para conectar la lijadora a una aspiradora:

- Desconecte la lijadora.
- Gire a la izquierda el saco captador para retirarlo de la lijadora.
- Conecte la manguera de succión al adaptador de la aspiradora.

ADVERTENCIA

Cuando la lijadora no esté conectada a una aspiradora, siempre vuelva a instalar el saco captador en la lijadora. La inobservancia de esta advertencia puede causar el lanzamiento de aserrín u objetos extraños a la cara o a los ojos, con las consiguientes posibles lesiones serias.

NOTA: Una manguera de aspiradora estándar de 32 mm (1 1/4 pulg.) se acopla dentro del agujero de diámetro menor del tubo de salida del soplador, mientras que una conexión de manguera de aspiradora de 64 mm (2 1/2 pulg.) se acopla dentro del agujero más grande del tubo de salida del soplador.

ENCENDIDO Y APAGADO DE LA LIJADORA

Vea la figura 8, página 14.

Para encender la lijadora, oprima el gatillo del interruptor. Para apagar la lijadora, suelte el gatillo del interruptor.

FUNCIONAMIENTO

ASEGURAMIENTO DE LA LIJADORA EN LA POSICIÓN DE ENCENDIDO

Vea la figura 8, página 14.

La lijadora está equipada de un seguro de encendido, el cual es muy útil cuando se requiere un lijado continuo durante períodos de tiempo prolongados.

ADVERTENCIA:

Antes de conectar la lijadora al suministro de corriente, asegúrese de que no esté puesto el seguro de encendido. La inobservancia de esta advertencia puede causar un arranque accidental de la herramienta, y por consecuencia posibles lesiones serias.

Para asegurar la lijadora en la posición de encendido:

- Oprima el gatillo del interruptor.
- Oprima el botón del seguro de encendido.
- Suelte el gatillo del interruptor.
- Suelte el botón del seguro de encendido.

NOTA: Para quitar el seguro, oprima el gatillo del interruptor.

Si tiene el seguro de encendido puesto al usar la lijadora y ésta se desconecta accidentalmente del suministro de voltaje, quite el seguro de encendido de inmediato. Además, no asegure el gatillo del interruptor si fuera a necesitar apagar súbitamente la lijadora.

UTILIZACIÓN DE LA LIJADORA

Vea la figura 9, página 14.

Para utilizar la lijadora:

- Asegure la pieza de trabajo para evitar que se mueva durante la operación.

ADVERTENCIA:

Si no se asegura la pieza de trabajo puede salir lanzada hacia el operador y causarle lesiones.

ADVERTENCIA:

Mantenga la cabeza alejada de la lijadora y del área de lijado. El cabello puede resultar atraído hacia la lijadora, con lo cual podrían producirse lesiones serias.

-
- Coloque la lijadora en la pieza de trabajo de manera que toda la superficie del disco de lija quede en contacto con la pieza de trabajo.

PRECAUCIÓN:

Para evitar dañar el motor por recalentamiento, no cubra con la mano las aberturas de ventilación.

- Encienda la lijadora y muévala lentamente por la pieza de trabajo. Realice pasadas sucesivas en líneas paralelas, o con movimientos entrecruzados.
- Apague la lijadora y espere a que el disco de lija se detenga completamente antes de retirarlo de la pieza de trabajo.

No fuerce la herramienta. El peso de la unidad proporciona suficiente presión para realizar el trabajo. Si se aplica presión adicional se aminora la marcha del motor, se gasta con mayor rapidez la hoja de lija y se reduce notablemente la velocidad de la lijadora. Una presión excesiva recarga el motor, puede dañarlo debido al recalentamiento y puede incluso producirse un trabajo de calidad inferior. Todo acabado o resina presente en la madera puede suavizarse debido al calentamiento generado por la fricción. No lije demasiado tiempo en un mismo lugar, ya que la rápida acción de la lijadora puede desprender demasiado material y dejar la superficie desigual.

El lijado durante períodos prolongados de tiempo puede recalentar el motor. Si tal cosa ocurre, apague la lijadora, espere a que la hoja de lija se detenga completamente. Retire la lijadora de la pieza de trabajo. Retire el disco de lija y después déjela funcionar en vacío para permitir el enfriamiento del motor.

VACIADO DEL SACO CAPTADOR

Vea la figura 10, página 14.

Para lograr un desempeño más eficiente de la unidad, vacíe el saco captador antes de que se llene a la mitad. De esta manera se permite que el aire fluya mejor a través del saco. Siempre vacíe y limpie a fondo el saco captador al completar una operación de lijado y antes de guardar la lijadora.

ADVERTENCIA:

El polvo recolectado durante el lijado de capas de acabado como poliuretano, aceite de linaza, etc., puede inflamarse por sí solo en el saco captador o en otra parte, y puede causar un incendio. Para reducir el riesgo de incendio siempre vacíe con frecuencia el saco captador mientras está lijando, y nunca guarde ni deje la lijadora sin haber vaciado completamente el saco. También siga las recomendaciones de los fabricantes de acabados.

Para vaciar el saco captador:

- Desconecte la lijadora.
- Retire de la lijadora el saco captador.
- Sacuda el saco para sacar el polvo.
- Vuelva a montar el saco captador en la lijadora.

Para darle una limpieza más completa al saco captador, retírelo de la armazón y sacúdalo para eliminar el polvo. Vuelva a colocar el saco captador en la armazón y después instale el conjunto completo del saco en la lijadora.

MANTENIMIENTO

ADVERTENCIA:

Para el servicio de la unidad sólo utilice piezas de repuesto RIDGID idénticas. El empleo de piezas diferentes puede causar un peligro o dañar el producto.

ADVERTENCIA:

Siempre póngase protección ocular con la marca de cumplimiento de la norma ANSI Z87.1. Si no cumple esta advertencia, los objetos que salen despedidos pueden producirle lesiones serias en los ojos.

MANTENIMIENTO GENERAL

Evite el empleo de solventes al limpiar piezas de plástico. La mayoría de los plásticos son susceptibles a diferentes tipos de solventes comerciales y pueden resultar dañados. Utilice paños limpios para eliminar la suciedad, el polvo, el aceite, la grasa, etc.

ADVERTENCIA:

No permita en ningún momento que fluidos para frenos, gasolina, productos a base de petróleo, aceites penetrantes, etc., lleguen a tocar las piezas de plástico. Las sustancias químicas pueden dañar, debilitar o destruir el plástico, lo cual a su vez puede producir lesiones corporales serias.

Las herramientas eléctricas que se utilizan en materiales de fibra de vidrio, paneles de yeso para paredes, compuestos de resanar o yeso, están sujetas a desgaste acelerado y posible fallo prematuro porque las partículas y limaduras de fibra de vidrio son altamente abrasivas para los cojinetes, escobillas, conmutadores, etc. Por consiguiente, no recomendamos el uso de esta herramienta durante períodos prolongados de trabajo en estos tipos de materiales. Sin embargo, si usted trabaja con cualquiera de estos materiales, es sumamente importante limpiar la herramienta con aire comprimido.

LUBRICACIÓN

Todos los cojinetes de esta herramienta están lubricados con suficiente cantidad de aceite de alta calidad para toda la vida útil de la unidad en condiciones normales de funcionamiento. Por lo tanto, no se necesita lubricación adicional.

REEMPLAZO DE LAS ESCOBILLAS

Vea la figura 11, página 14.

- Desconecte la lijadora.
-

ADVERTENCIA:

Si no se desconecta la herramienta puede ponerse en marcha accidentalmente, con el consiguiente riesgo de lesiones serias.

- Retire los tornillos (7) de la tapa superior de la lijadora.
- Retire la tapa superior.
- Desconecte las terminales de los conductores de los tubos de las escobillas.
- Retire los conjuntos de las escobillas (2).
- Efectúe una inspección para ver si hay desgaste. Reemplace ambos conjuntos de las escobillas cuando uno u otro tenga menos de 6,4 mm (1/4 pulg.) de carbón restante. No reemplace un solo lado sin reemplazar el otro.
- Vuelva a armar la unidad empleando conjuntos de escobillas nuevos. Asegúrese de que la curvatura de las escobillas corresponda a la del motor y de que las escobillas se muevan libremente en los tubos de las mismas.
- Vuelva a armar la unidad; para ello, siga en sentido inverso los pasos enumerados arriba.
- Apriete firmemente todos los tornillos. **No aplique** un apriete excesivo.

GARANTÍA

HERRAMIENTAS ELÉCTRICAS DE MANO Y ESTACIONARIAS RIDGID® GARANTÍA DE SERVICIO LIMITADA DE 3 AÑOS

Debe presentarse prueba de la compra al solicitar servicio al amparo de la garantía.

Se limita a las herramientas de mano y estacionarias RIDGID® adquiridas a partir del 1.º/Feb./04. Este producto está manufacturado por One World Technologies, Inc. La licencia de uso de la marca comercial es otorgada por RIDGID, Inc. Toda comunicación en relación con la garantía debe dirigirse a One World Technologies, Inc., a la atención de: Servicio Técnico de Herramientas Eléctricas de Mano y Estacionarias RIDGID, al (línea gratuita) 1-866-539-1710.

POLÍTICA DE GARANTÍA DE SATISFACCIÓN DE 90 DÍAS

Durante los primeros 90 días a partir de la fecha de compra, si no está satisfecho con el desempeño de esta herramienta de mano o estacionaria RIDGID® por cualquier razón, puede devolverla al establecimiento donde la adquirió, donde se le proporcionará un reembolso total o un intercambio. Para recibir una herramienta de reemplazo, debe presentar documentación de prueba de la compra, y devolver el equipo original empaquetado con el producto original. La herramienta de reemplazo queda cubierta por la garantía limitada por el resto del período de garantía de servicio de 3 AÑOS.

LO QUE ESTÁ CUBIERTO POR LA GARANTÍA DE SERVICIO LIMITADA DE 3 AÑOS

Esta garantía de las herramientas de mano y estacionarias RIDGID® cubre todos los defectos en materiales y mano de obra, así como piezas desgastables como escobillas, portabrocas, motores, interruptores, cordones eléctricos, engranajes e incluso las pilas inalámbricas de esta herramienta RIDGID® por tres años a partir de la fecha de compra de la herramienta. Las garantías de otros productos RIDGID® pueden ser diferentes.

FORMA DE OBTENER SERVICIO

Para obtener servicio para esta herramienta RIDGID®, debe devolverla, ya sea con el flete pagado por anticipado, o llevarla a un centro de servicio autorizado para herramientas eléctricas de mano y estacionarias de la marca RIDGID®. Puede obtener información sobre la ubicación del centro de servicio autorizado más cercano llamando al 1-866-539-1710 (línea gratuita) o dirigiéndose al sitio electrónico de RIDGID® en Internet, en www.ridgid.com. Al solicitar servicio al amparo de la garantía, debe presentar el recibo de venta fechado original. El centro de servicio autorizado reparará toda mano de obra deficiente del producto, y reparará o reemplazará cualquier pieza cubierta en la garantía, a nuestra sola discreción, sin ningún cargo al consumidor.

LO QUE NO ESTÁ CUBIERTO

Esta garantía se ofrece exclusivamente al comprador original al menudeo y no puede transferirse. Esta garantía sólo cubre defectos que surjan en el uso normal de la herramienta y no cubre ningún malfuncionamiento, falla o defecto producido por el uso indebido, maltrato, negligencia, alteración, modificación o reparación efectuada por terceros diferentes de los centros de servicio autorizados de herramientas eléctricas de mano y estacionarias RIDGID®. No están cubiertos los accesorios suministrados con la herramienta, como las hojas, brocas, papel de lija, etc.

RIDGID, INC. Y ONE WORLD TECHNOLOGIES, INC. NO OFRECEN NINGUNA GARANTÍA, DECLARACIÓN O PROMESA EN RELACIÓN CON LA CALIDAD O EL DESEMPEÑO DE SUS HERRAMIENTAS ELÉCTRICAS MÁS QUE LAS SEÑALADAS ESPECÍFICAMENTE EN ESTA GARANTÍA.

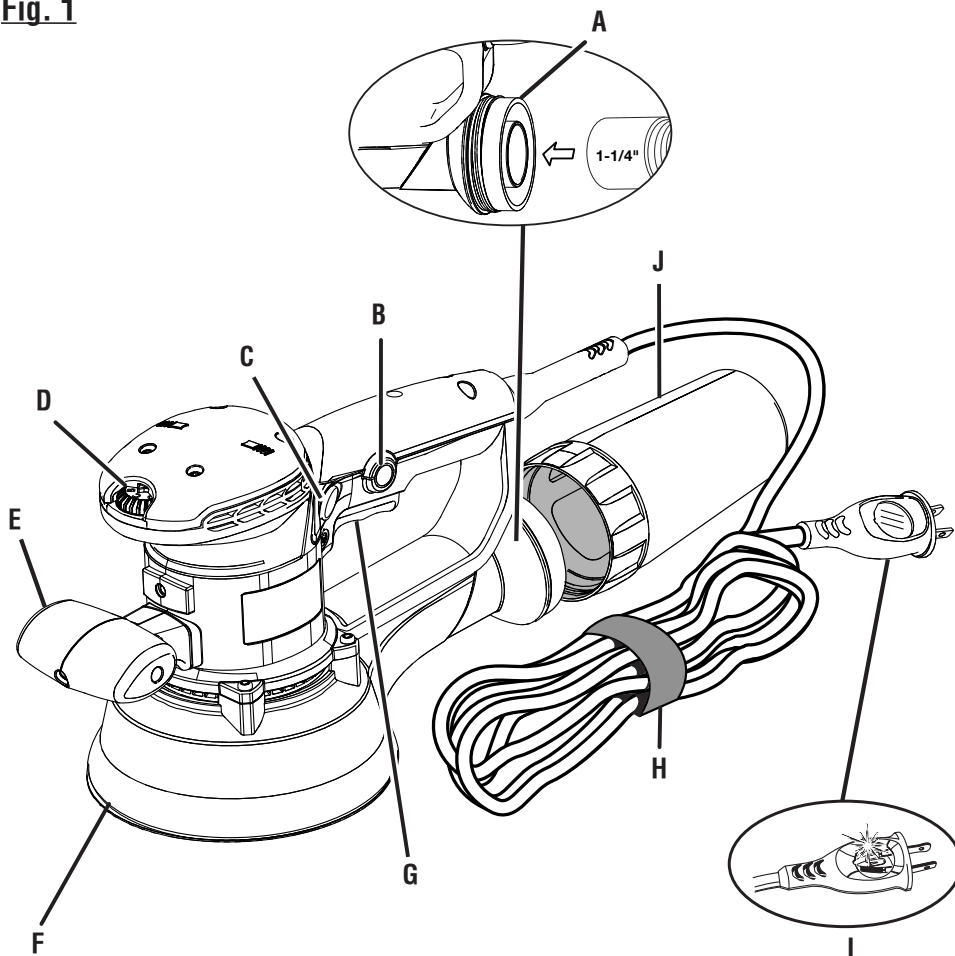
LIMITACIONES ADICIONALES

Hasta donde lo permiten las leyes relevantes, se desconoce toda garantía implícita, incluidas las garantías de COMERCIALIZACIÓN o IDONEIDAD PARA UN USO EN PARTICULAR. Toda garantía implícita, incluidas las garantías de comerciabilidad o idoneidad para un uso en particular, que no pueda desconocerse según las leyes estatales, está limitada a tres años a partir de la fecha de compra. One World Technologies, Inc. y RIDGID, Inc. no son responsables de daños directos, indirectos, incidentales o consecuentes. Algunos estados no permiten limitaciones en cuanto al período de vigencia de una garantía implícita y/o no permiten exclusiones o limitaciones de daños incidentales o consecuentes, por lo tanto es posible que esta limitación no se aplique en su caso. Esta garantía le confiere derechos legales específicos, y es posible que usted goce de otros derechos, los cuales pueden variar de estado a estado.

One World Technologies, Inc.

P.O. Box 35, Hwy. 8
Pickens, SC 29671, USA

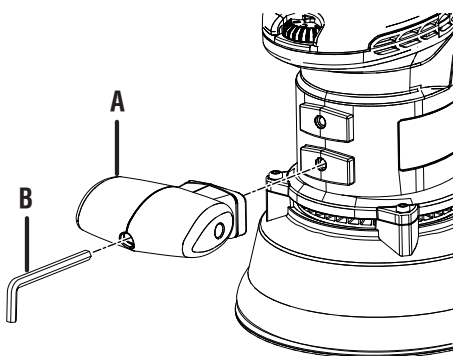
Fig. 1



- A - Vacuum adaptor (adaptateur d'aspiration, adaptador para aspiradora)
- B - Lock-on button (bouton de verrouillage, botón del seguro de encendido)
- C - Dual random orbit selector (sélecteur d'orbite aléatoire, selector dual de órbita aleatoria)
- D - Variable speed dial (commande de vitesse variable, selector giratorio de velocidad)
- E - Front handle (poignée avant, mango delantero)

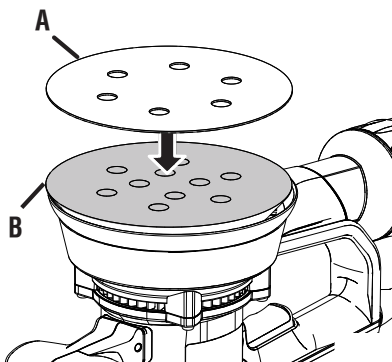
- F - Backing pad (coussinet, almohadilla de respaldo)
- G - Switch trigger (gâchette, gatillo del interruptor)
- H - Cord wrap (enrouleur de cordon, soporte para enrollar el cordón)
- I - Lighted plug (fiche lumineuse, clavija iluminada)
- J - Dust bag (sac à poussière, sacco captador)

Fig. 2



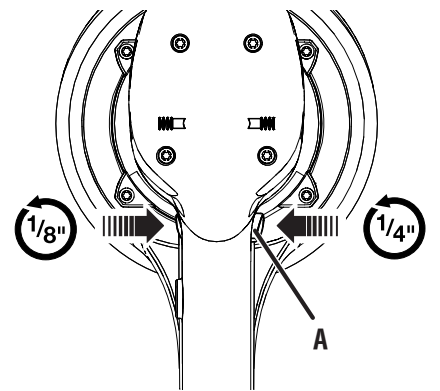
- A - Handle (poignée, mango)
- B - Hex key (clé hexagonale, llave hexagonal)

Fig. 3



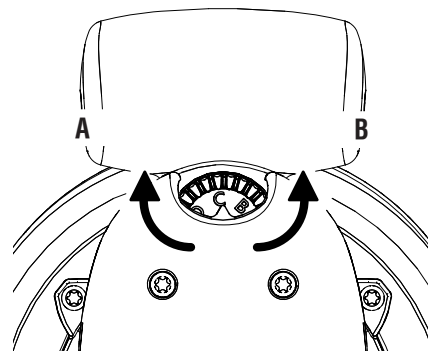
- A - Sanding disc (disque abrasif, disco de lija)
- B - Hook and loop backing pad (coussinet à boucles et crochets, almohadilla de respaldo de gancho y lazada)

Fig. 4



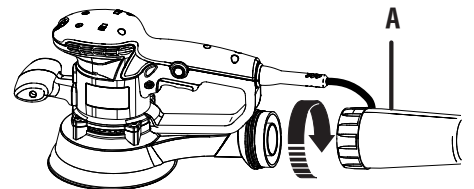
- A - Dual random orbit selector (sélecteur d'orbite aléatoire, selector dual de órbita aleatoria)

Fig. 5



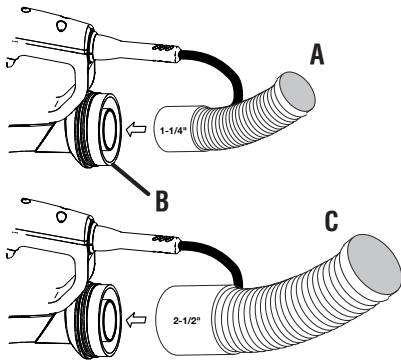
- A - To increase speed (pour augmenter la vitesse, para aumentar la velocidad)
- B - To decrease speed (pour réduire la vitesse, para disminuir la velocidad)

Fig. 6



- A - Dust bag (sac à poussière, sacco captador)

Fig. 7

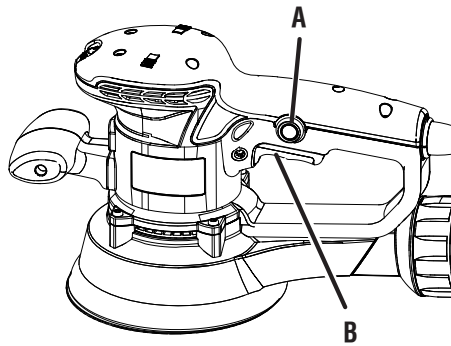


A - 1-1/4 in. vacuum hose (tuyau d'aspirateur de 1 1/4 po, manguera de aspiradora de 32 mm [1 1/4 pulg.])

B - Vacuum adaptor (adaptateur d'aspiration, adaptador para aspiradora)

C - 2-1/2 in. vacuum hose (tuyau d'aspirateur de 2 1/2 po, manguera de aspiradora de 64 mm [2 1/2 pulg.])

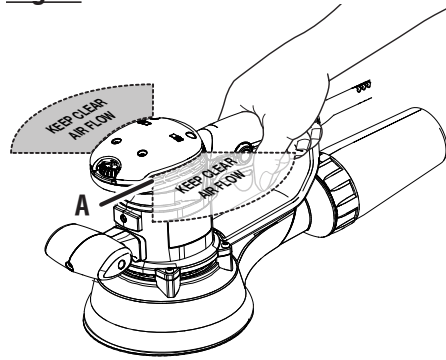
Fig. 8



A - Lock-on button (bouton de verrouillage, botón del seguro de encendido)

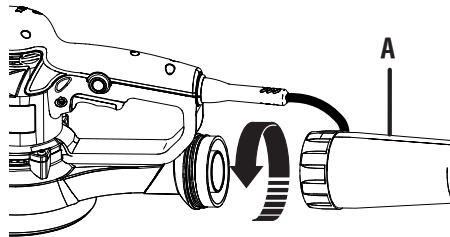
B - Switch trigger (gâchette, gatillo del interruptor)

Fig. 9



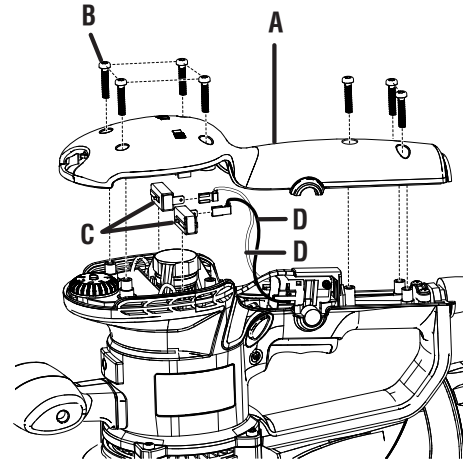
A - Air vents (ouïes d'aération, aberturas de aire)

Fig. 10



A - Dust bag (sac à poussière, sacco captador)

Fig. 11



A - Top cover (couverture, tapa superior)

B - Screws (vis, tornillos)

C - Brush assembly (balais, conjunto de escobilla)

D - Lead (cosse, conductor)

OPERATOR'S MANUAL

MANUEL D'UTILISATION

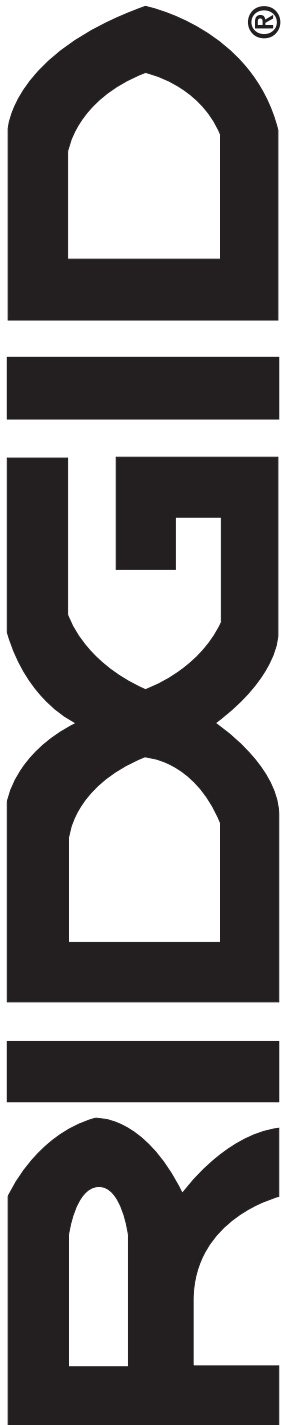
MANUAL DEL OPERADOR

RANDOM ORBIT SANDER DOUBLE INSULATED VARIABLE SPEED

PONCEUSE À ORBITE ALÉATOIRE DOUBLE ISOLATION VITESSE VARIABLE

LIJADORA ORBITAL ALEATORIA DOBLE AISLAMIENTO VELOCIDAD VARIABLE

R2611



Customer Service Information:

For parts or service, contact your nearest RIDGID authorized service center. Be sure to provide all relevant information when you call or visit. For the location of the authorized service center nearest you, please call 1-866-539-1710 or visit us online at www.ridgid.com.

The model number of this tool is found on a plate attached to the motor housing. Please record the serial number in the space provided below. When ordering repair parts, always give the following information:

Model No. _____ R2611 _____

Serial No. _____

Service après-vente :

Pour acheter des pièces ou pour un dépannage, contacter le centre de réparations RIDGID agréé le plus proche. Veiller à fournir toutes les informations pertinentes lors de tout appel téléphonique ou visite. Pour obtenir l'adresse du centre de réparations agréé le plus proche, téléphoner au 1-866-539-1710, ou visiter notre site www.ridgid.com.

Le numéro de modèle se trouve sur une plaquette fixée au boîtier du moteur. Noter le numéro de série dans l'espace ci-dessous. Lors de toute commande de pièces détachées, fournir les informations suivantes :

No. de modèle _____ R2611 _____

No. de série _____

Información sobre servicio al consumidor:

Para piezas de repuesto o servicio, comuníquese con el centro de servicio autorizado de productos RIDGID de su preferencia. Asegúrese de proporcionar todos los datos pertinentes al llamar o al presentarse personalmente. Para obtener información sobre el centro de servicio autorizado más cercano a usted, le suplicamos llamar al 1-866-539-1710 o visitar nuestro sitio en la red mundial, en la dirección www.ridgid.com.

El número de modelo de este producto se encuentra en una placa adherida al alojamiento del motor. Le recomendamos anotar el número de serie en el espacio suministrado abajo. Al ordenar piezas de repuesto siempre proporcione la siguiente información:

Núm. de modelo _____ R2611 _____

Núm. de serie _____
