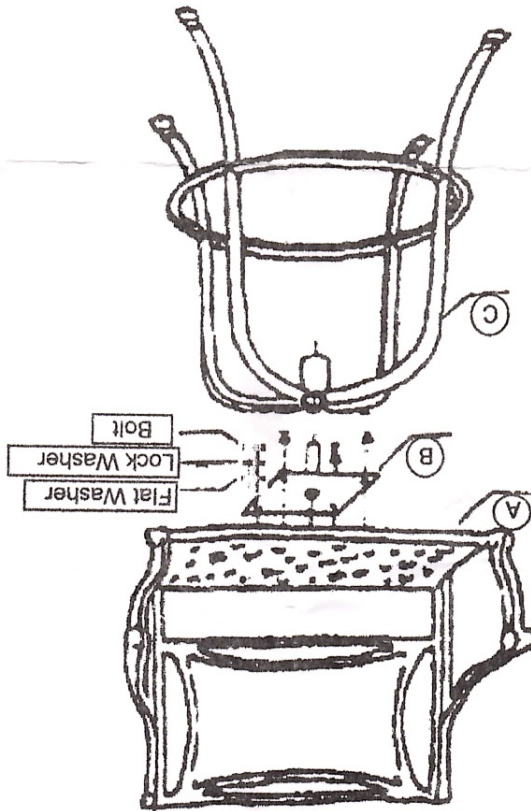


ASSEMBLY INSTRUCTIONS FOR BARSTOOL 970



Step1. After unpacking, turn carton upside down and then lay seat section (A), upside down on top of carton.

Step2. Place barstool base (C) onto seat section (A). Align the threaded holes on the seat section with the holes on the swivel section (B). Secure both section with bolts lock washers and flat washers.

Step3. Carefully turn barstool over to its normal position. If barstool is not level, turn adjustable feet to level the barstool.

Caution: Please take precaution and do not force any parts during assembling.

Enjoy Your Mallin Bar Stool

Assembly Instruction Cast Alum Bar Stool

#INS000372004-4-12