

INSTALLATION INSTRUCTIONS

40" ELECTRIC RANGE

**INSTALLATION AND SERVICE MUST BE PERFORMED BY A QUALIFIED INSTALLER.
IMPORTANT: SAVE FOR LOCAL ELECTRICAL INSPECTOR'S USE.
READ AND SAVE THESE INSTRUCTIONS FOR FUTURE REFERENCE.**

United States



⚠ WARNING FOR YOUR SAFETY: Do not store or use gasoline or other flammable vapors and liquids in the vicinity of this or any other appliance.

Table of Contents

Important Safety Instructions.....	2-3
Product Dimensions	4
Cabinet Dimensions	5
Electrical Requirements.....	6
Power Supply Cord.....	7

Cabinet Construction.....	7
Leveling the Range.....	8
Anti-Tip Brackets Installation	9-10
Check Operation.....	11
Serial Plate Location (Model & Serial Number).....	11
Notes	12

Important Note to the Consumer

1. Keep these instructions with your owner's guide for future reference.
2. When using any appliance generating heat, there are safety precautions you must follow. These precautions are explained in your Use and Care manual. Read your manual carefully.
3. Be sure your appliance is installed and grounded by a qualified installer or service technician.

Important Notes to the Installer

1. Read all instructions contained in these installation instructions before installing range.
2. Remove all packing material from the oven and the drawer compartments before connecting the electrical supply to the range.
3. The anti-tip bracket supplied with the appliance must be installed.
4. Observe all governing codes and ordinances.
5. Be sure to leave these instructions with the consumer.

40" ELECTRIC RANGE INSTALLATION INSTRUCTIONS

IMPORTANT SAFETY INSTRUCTIONS

This appliance must be installed, grounded, and serviced by a qualified installer or service technician.

This manual contains important safety symbols and instructions. Please pay attention to these symbols and follow all instructions given. Do not attempt to install or operate your appliance until you have read the safety precautions in this manual. Safety items throughout this manual are labeled with a WARNING or CAUTION statement based on the risk type.

Warnings and important instructions appearing in this guide are not meant to cover all possible conditions and situations that may occur. Common sense, caution, and care must be exercised with installing, maintaining, or operating your appliance.

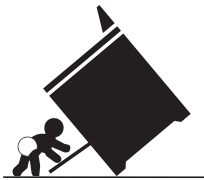
⚠ This is the safety alert symbol. It is used to alert you to potential personal injury hazards. Obey all safety messages that follow this symbol to avoid possible injury or death.

⚠ WARNING Indicates a potentially hazardous situation which, if not avoided, may result in death or serious injury.

⚠ CAUTION Indicates a potentially hazardous situation which, if not avoided, may result in minor or moderate injury.

IMPORTANT: Indicates installation, operation, maintenance, or valuable information that is not hazard related.

⚠ WARNING Tip Over Hazard

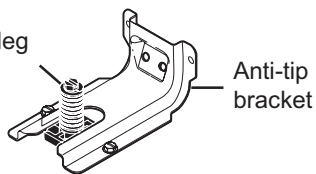


- A child or adult can tip the range and be killed.
- Verify the anti-tip device has been installed to floor or wall.

- Ensure the anti-tip device is re-engaged to floor or wall when the range is moved.
- Do not operate the range without the anti-tip device in place and engaged.
- Failure to follow these instructions can result in death or serious burns to children and adults.



Range leveling leg



To check if the anti-tip bracket is installed properly, use both arms to grasp the rear edge of the range back. Carefully attempt to tilt range forward. When properly installed, the range should not tilt forward.

Refer to the anti-tip bracket installation instructions supplied with your range for proper installation.

⚠ WARNING

- **Excessive Weight Hazard**--Use two or more people to move and install range. Failure to follow this instruction can result in back or other injury.
- **Storage In or On Appliance**—Flammable materials should not be stored in an oven or microwave, near surface burners or elements, or in the storage or warmer drawer (if equipped). This includes paper, plastic, and cloth items, such as cookbooks, plastic ware, and towels, as well as flammable liquids. Do not store explosives, such as aerosol cans, on or near the appliance.
- **Do not leave children alone** - Children should not be left alone or unattended in the area where appliance is in use. They should never be allowed to sit or stand on any part of the appliance, including the storage drawer, lower broiler drawer, warmer drawer, or lower double oven.
- Do not store items of interest to children in the cabinets above the appliance or on the backguards of ranges. Children climbing on or near the appliance to reach items could be seriously injured.
- Stepping, leaning, or sitting on the door or drawers of this appliance can result in serious injuries and also cause damage to the appliance.
- Do not use oven or warmer drawer (if equipped) for storage.
- Never use your appliance as a space heater to heat or warm the room. Doing so may result in carbon monoxide poisoning and overheating of the appliance.
- Do not store or use gasoline or other flammable vapors and liquids in the vicinity of this or any other appliance.

40" ELECTRIC RANGE INSTALLATION INSTRUCTIONS

IMPORTANT INSTRUCTIONS FOR UNPACKING AND INSTALLATION

Read and follow the below instructions and precautions for unpacking, installing, and servicing your appliance:

- Destroy the carton and plastic bags after unpacking the appliance. Never allow children to play with packaging material. Do not remove the wiring label and other literature attached to the appliance. Do not remove model/serial number plate.
- Cold temperatures can damage the electronic control. When using this appliance for the first time, or when the appliance has not been used for an extended period of time, be sure the appliance has been in temperatures above 32°F (0°C) for at least 3 hours before turning on the power to the appliance.
- Never modify or alter the construction of the appliance by removing the leveling legs, panels, wire covers, anti-tip brackets/screws, or any other part of the appliance.
- Proper Installation—Be sure your appliance is properly installed and grounded by a qualified technician. In the United States, install in accordance with the National Fuel Gas Code ANSI Z223.1/NPFA No. 54, latest edition and National Electrical Code NFPA No. 70 latest edition, and local electrical code requirements. In Canada, install in accordance with CAN/CGA B149.1 and CAN/CGA B149.2 and CSA Standard C22.1, Canadian Electrical code, Part 1-latest editions and local electrical code requirements. Install only per installation instructions provided in the literature package for this appliance.
- The installation of appliances designed for manufactured (mobile) home installation must conform with Manufactured Home Construction and Safety Standard, title 24CFR, part 3280 [Formerly the Federal Standard for Mobile Home Construction and Safety, title 24, HUD (part 280)] or when such standard is not applicable, the Standard for Manufactured Home Installation 1982 (Manufactured Home Sites, Communities and Setups), ANSI Z225.1/NFPA 501A-latest edition, or with local codes in United States and with CAN/CSA-Z240 MH in Canada.
- Before installing the range in an area covered with linoleum or any other synthetic floor covering, make sure the floor covering can withstand heat at least 90°F (32,2°C) above room temperature without shrinking, warping or discoloring. Do not install the range over carpeting unless you place an insulating pad or sheet of ¼" (0,64 cm) thick plywood between the range and carpeting.
- Make sure the wall coverings and cabinet materials around the range can withstand the heat generated by the appliance.

- To eliminate the risk of burns or fire by reaching over heated surface units, cabinet storage space above the surface unit should be avoided. If cabinet storage is to be provided the risk can be reduce by installing a range hood that projects horizontally a minimum of 5 inches beyond the bottom of the cabinet.
- Do not obstruct airflow at the oven vent, around the base, or beneath the lower front panel of the appliance. This appliance requires fresh air for proper operation.
- Be sure to have an appropriate foam-type fire extinguisher available, visible, and easily accessible located near the appliance.

IMPORTANT INSTRUCTIONS FOR SERVICE AND MAINTENANCE

- Do not repair or replace any part of the appliance unless specifically recommended in the manuals. All other servicing should be done only by a qualified technician. This reduces the risk of personal injury and damage to the appliance.
- Always contact your dealer, distributor, service agent, or manufacturer about problems or conditions you do not understand.
- Ask your dealer to recommend a qualified technician and an authorized repair service. Know how to disconnect the power to the appliance at the circuit breaker or fuse box in case of an emergency.
- Remove the oven door from any unused oven if it is to be stored or discarded.
- Do not touch a hot oven light bulb with a damp cloth. Doing so could cause the bulb to break. Handle halogen lights (if equipped) with paper towels or soft gloves. Disconnect the appliance or shut off the power to the appliance before removing and replacing the bulb.

40" ELECTRIC RANGE INSTALLATION INSTRUCTIONS

Product Dimensions

⚠ WARNING Do not install the unit in the cabinet before reading next two pages.

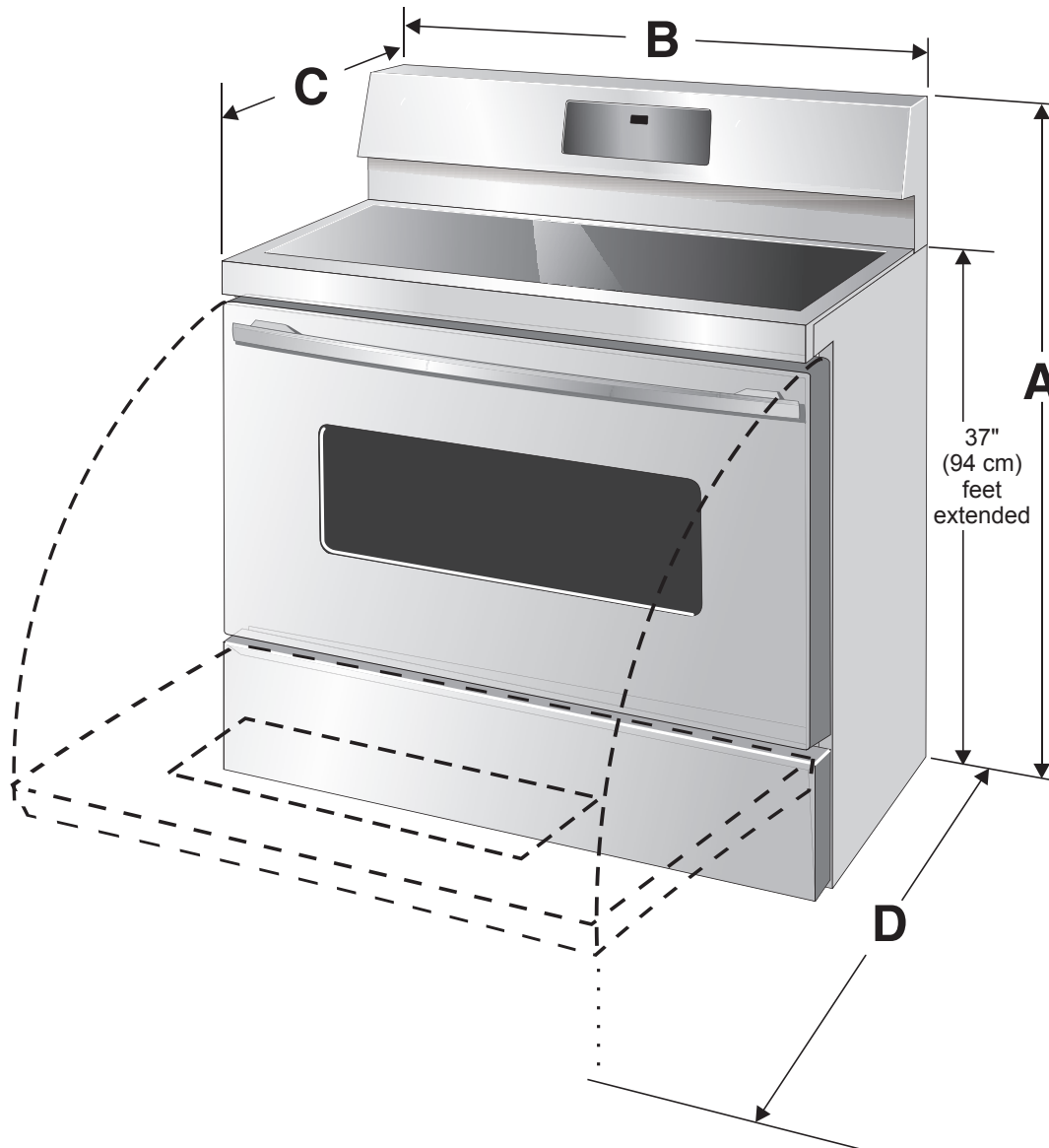


Figure 1: Product Dimensions

A. HEIGHT	B. WIDTH	C. DEPTH TO FRONT OF RANGE	D. DEPTH WITH DOOR OPEN
49" (124.5 cm)	40" (101.6 cm)	26 1/16" (66.2 cm) 28 1/2" (72.4 cm) max with handle	47 3/4" (121.3 cm)

40" ELECTRIC RANGE INSTALLATION INSTRUCTIONS

Cabinet Dimensions

Clearances and Dimensions

- Provide adequate clearances between the appliance and adjacent combustible surfaces.
- Location - Check location where the appliance will be installed. Check for proper electrical supply and floor stability.
- Dimensions shown must be used. Given dimensions provide minimum clearance. Contact surface must be solid and level.

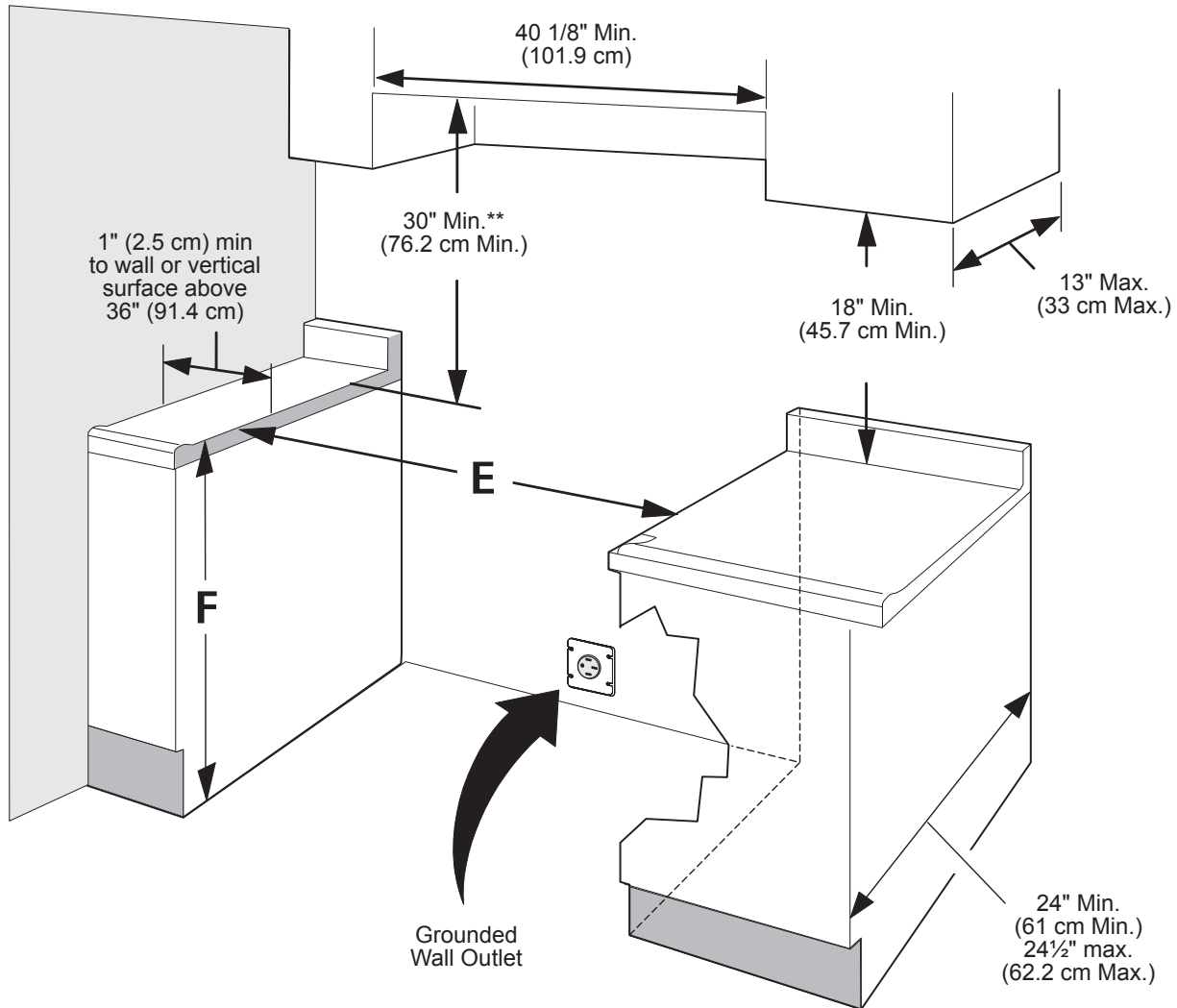


Figure 2: Cabinet Dimensions

E. MINIMUM CUTOUT WIDTH	F. HEIGHT OF COUNTERTOP
40 1/4" (102.2 cm)	36" (91.4 cm) standard 35 7/8" (91.1 cm) minimum

NOTES:

1. Do not seal the range to the side cabinets.
2. 30" (76,2 cm) minimum clearance when the cabinet is unprotected.
* * 24" (61 cm) minimum clearance between the cooktop and the bottom of the cabinet when the bottom of wood or metal cabinet is protected by not less than 1/4" (0,64 cm) flame retardant millboard covered with not less than No. 28 MSG sheet metal, 0,015" (0,4 mm) stainless steel, 0,024" (0,6 mm) aluminum, or 0,020" (0,5 mm) copper.
3. 0" clearance between range and cabinets or vertical surfaces that are below the cooktop height.
4. 0" clearance between range back and rear wall or cabinet.

40" ELECTRIC RANGE INSTALLATION INSTRUCTIONS

1. Electrical Requirements

⚠ WARNING

Electrical Shock Hazard –Electrical ground is required on this appliance. Use only the power cord supplied with the appliance. Improper connections and grounding may result in electric shock, damage to the appliance, personal injury, fire or death.

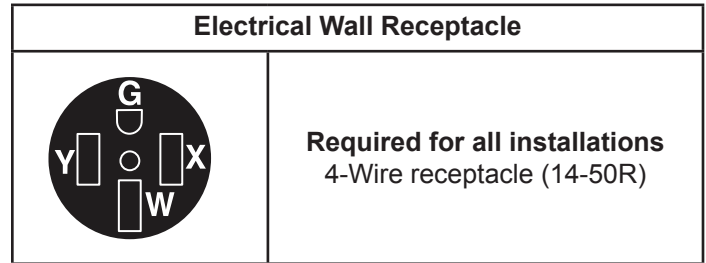
Grounding Requirements

This appliance must be installed and grounded by a qualified technician.

In the United States, install in accordance with the National Fuel Gas Code ANSI Z223.1/NPFA No. 54, latest edition and National Electrical Code NFPA No. 70 latest edition, and local electrical code requirements. In Canada, install in accordance with CAN/CGA B149.1 and CAN/CGA B149.2 and CSA Standard C22.1, Canadian Electrical code, Part 1-latest editions and local electrical code requirements.

For personal safety, this appliance must be properly grounded. For maximum safety, the power cord must be plugged into an electrical outlet that is the correct voltage, is correctly polarized and properly grounded in accordance with local codes. It is the personal responsibility of the consumer to have the appropriate outlet with the correct, properly grounded wall receptacle installed by a qualified electrician.

This appliance is intended to be plugged into a 14-50R standard wall receptacle.



When only 4-wire, single phase, 240 volt, 60 Hz, AC-only electrical supply is available, this appliance requires minimum 40 amp circuit protection fused on both sides of the line.

A time-delay circuit breaker or fuse is recommended.

Be sure the wall receptacle is within reach of the appliance's final installed location.

Do not pinch the power supply cord between the range and the wall.

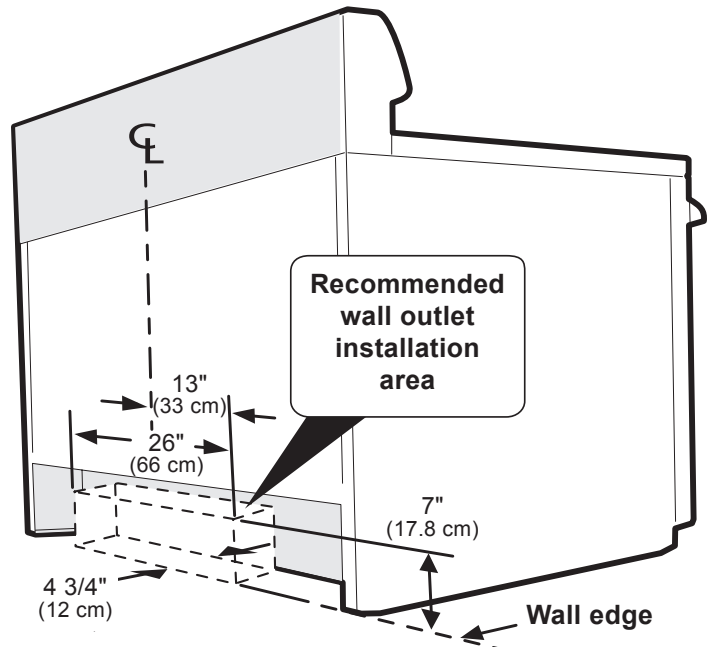


Figure 3: Recommended wall outlet installation area

40" ELECTRIC RANGE INSTALLATION INSTRUCTIONS

2. Power Supply Cord

⚠ WARNING

Electrical Shock Hazard –Do not attempt to install the appliance directly to a junction box, modify the factory-installed cord, or connect a different power cord to the appliance. If the wall outlet is not sufficient to support the requirements of this appliance, it is the responsibility of the consumer to have the appropriate outlet installed by an electrician. Improper installation and electrical connections can result in electric shock, damage to the appliance, personal injury, fire, or death.

This appliance is equipped with a factory-connected, 4-wire power supply cord (Figure 4). This cord is rated at 240 volts, 40 amps, and temperature rated at 194°F (90°C). This cord is UL/CSA listed and has been tested and approved for use with this appliance.

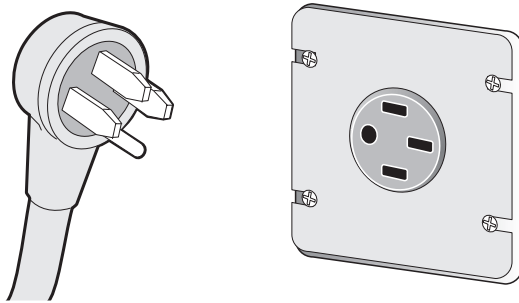


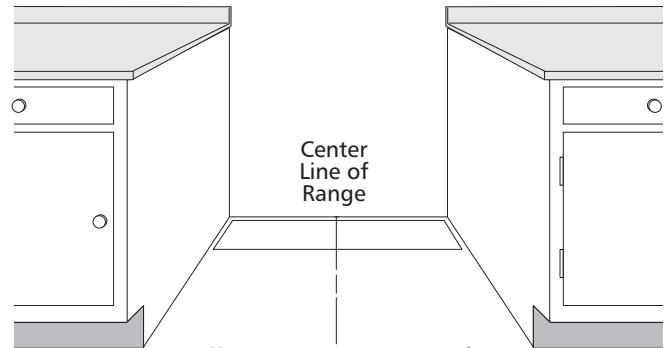
Figure 4: Factory connected power supply cord

Appliance Rating*		Power Supply Rating	
120/240 Volts	120/208 Volts	Amps	Temp Rating
8.8-16.5 kW	7.8-12.5 kW	40 or 50	194°F (90°C)
16.6-22.5 kW	12.6-18.5 kW	50	194°F (90°C)

* The NEC calculated load is less than the total connected load listed on the serial plate.

3. Cabinet Construction

⚠ CAUTION To eliminate the risk of burns or fire by reaching over heated surface units, do not have cabinet storage space above the range. If there is cabinet storage space above range, reduce risk by installing a range hood that projects horizontally a minimum of 5" (12,7 cm) beyond the bottom of the cabinet.



Follow instructions for the type of installation you have

Figure 5: Cabinet construction

3.1 Installation: Cabinet on Both Sides

1. If range will be installed with a cabinet on both sides, Draw a center line on the floor between the cabinets (Figure 5).
2. If back of range will not be flush with the wall (the location of the outlet may not allow the range to be positioned against the wall), draw a line on the floor where the back edge of the range will be.
3. Install anti-tip brackets (see "Anti-Tip Bracket Installation").

3.2 Installation: Cabinet on One Side Only

1. If range will be installed with a cabinet on one side only, move the range into final position.
2. Draw a line on the floor along the side of the range that is not against the cabinet. If back of range will not be flush with the wall (the location of the outlet may not allow the range to be positioned against the wall), draw a line on the floor where the back edge of the range will be.
3. Install anti-tip brackets (see "Anti-Tip Bracket Installation").

3.3 Installation: Without Cabinet

1. If range will not be installed against a cabinet, move range into final position.
2. Mark on the floor along both sides of the range. If back of range will not be flush with the wall (the location of the outlet may not allow the range to be positioned against the wall), draw a line on the floor where the back edge of the range will be.
3. Install anti-tip brackets (see "Anti-Tip Bracket Installation").

40" ELECTRIC RANGE INSTALLATION INSTRUCTIONS

4. Leveling the Range

Level the range and set cooktop height before installation in the cut-out opening (if applicable).

1. Install an oven rack in the center of the oven.
2. Place a level on the rack (Figure 6). Take 2 readings with the level placed diagonally in one direction and then the other.

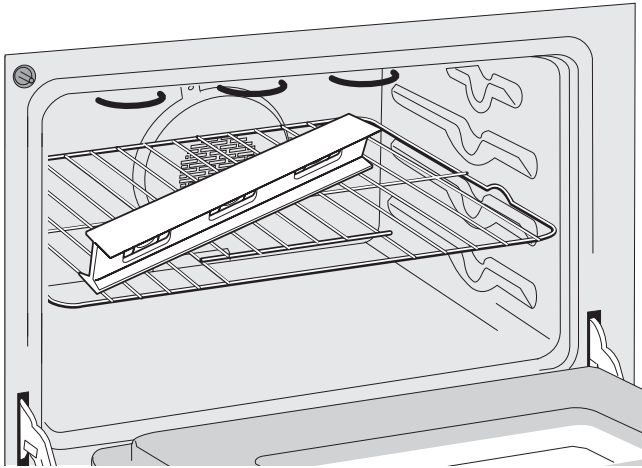


Figure 6: Leveling the range

3. Level the range, if necessary, by adjusting the 4 leg levelers with a wrench (Figure 7).

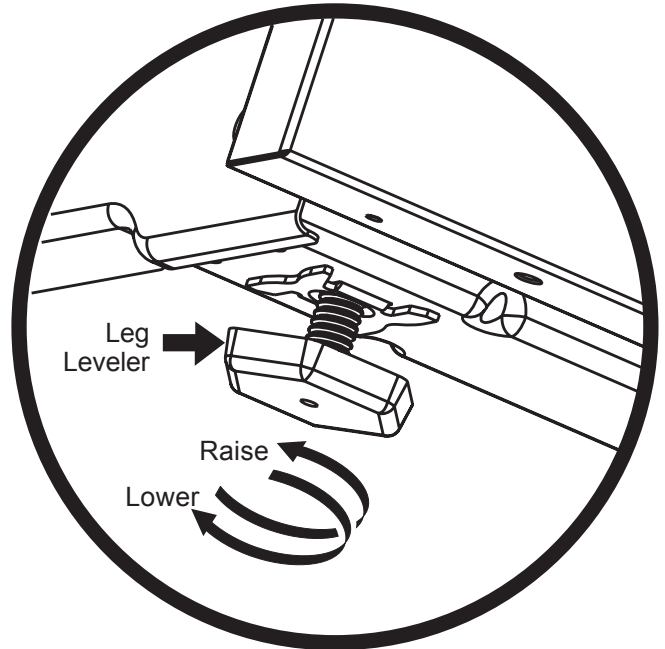


Figure 7: Adjusting appliance height

4. Slide range into cut-out opening and double check for levelness. If the range is not level, pull unit out and readjust leveling legs, or make sure floor is level.

40" ELECTRIC RANGE INSTALLATION INSTRUCTIONS

5. Anti-Tip Bracket Installation

⚠ WARNING To reduce the risk of tipping the appliance, the appliance must be secured to the floor by the properly installed anti-tip bracket and screws packed with the range. These parts are located in the oven. Failure to install the anti-tip bracket will allow the range to tip over if excessive weight is placed on an open door or if a child climbs on it. Serious injury might result from spilled hot liquids or from the range itself.

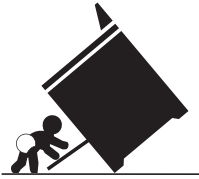
If range is ever moved to a different location, the anti-tip brackets must also be moved and installed with the range.

Tools Required:

- Adjustable Wrench
- Ratchet
- Drill & 1/8" (0,32 cm) bit
- 5/16" (0,8 cm) Nutdriver
- Level

⚠ WARNING

Tip Over Hazard

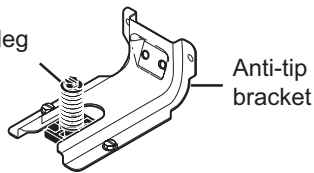


- A child or adult can tip the range and be killed.
- Verify the anti-tip device has been installed to floor or wall.

- Ensure the anti-tip device is re-engaged to floor or wall when the range is moved.
- Do not operate the range without the anti-tip device in place and engaged.
- Failure to follow these instructions can result in death or serious burns to children and adults.



Range leveling leg



To check if the anti-tip bracket is installed properly, use both arms to grasp the rear edge of the range back. Carefully attempt to tilt range forward. When properly installed, the range should not tilt forward.

Refer to the anti-tip bracket installation instructions supplied with your range for proper installation.

5.1 Locate the Bracket Using the Template

Bracket may be located on either the left or right side of the range. Mark the floor or wall where left or right side of the range will be located.

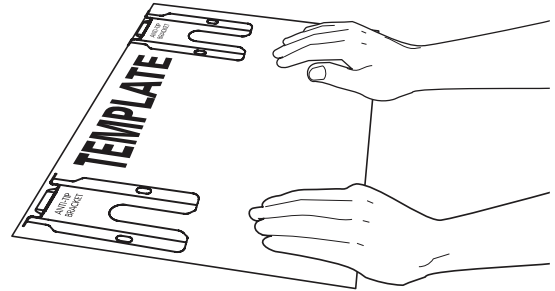


Figure 8: Bracket template

If rear of range is against the wall or no further than 1-1/4" from wall when installed, you may use the wall or floor mount method. If molding is installed and does not allow the bracket to fit flush against the wall, remove molding or mount bracket to the floor.

For wall mount, locate the bracket by placing the back edge of the template against the rear wall and the side edge of template on the mark made referencing the side of the range. Place bracket on top of template and mark location of the screw holes in wall.

If rear of range is further than 1-1/4" from the wall when installed, attach bracket to the floor. For floor mount, locate the bracket by placing back edge of the template where the rear of the range will be located.

Mark the location of the screw holes shown in template.

40" ELECTRIC RANGE INSTALLATION INSTRUCTIONS

5.2 Drill Pilot Holes and Fasten Bracket

Drill a 1/8" pilot hole where screws are to be located. If bracket is to be mounted to the wall, drill pilot hole at an approximate 20° downward angle. If bracket is to be mounted to masonry or ceramic floors, drill a 3/16" (4.8 mm) pilot hole 1-3/4" deep.

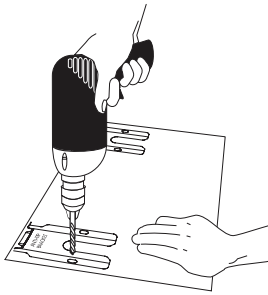


Figure 9: Drill pilot holes

The screws provided may be used in wood or concrete material. Use a 5/16" nut-driver or flat head screwdriver to secure the bracket in place.

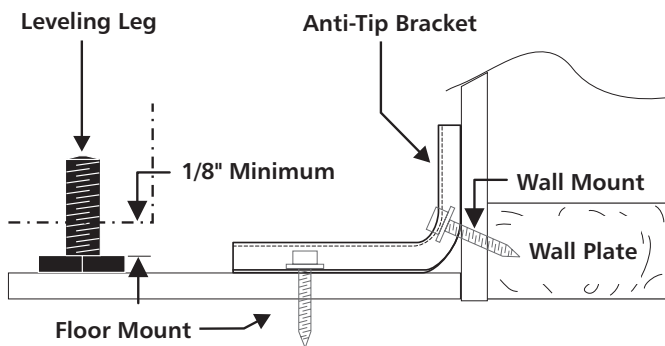


Figure 10: Fastening the bracket

5.3 Check Level and Position the Range

Check the level of the final installation. Note: A minimum clearance of 1/8" is required between the bottom of the range and the leveling leg to allow room for the bracket. Use a spirit level to check your adjustments.

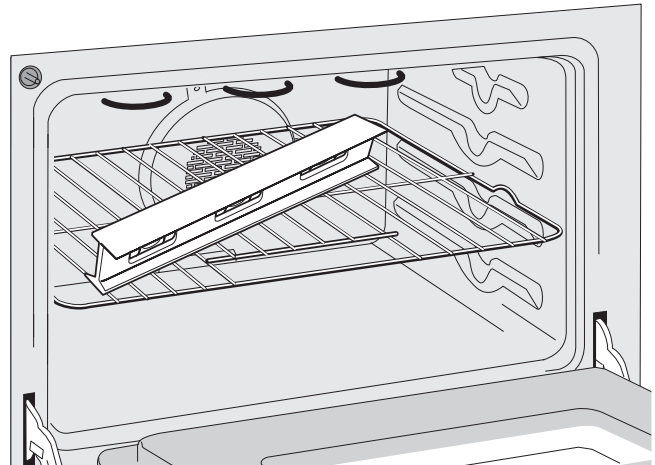


Figure 11: Leveling the range

Slide range into position.

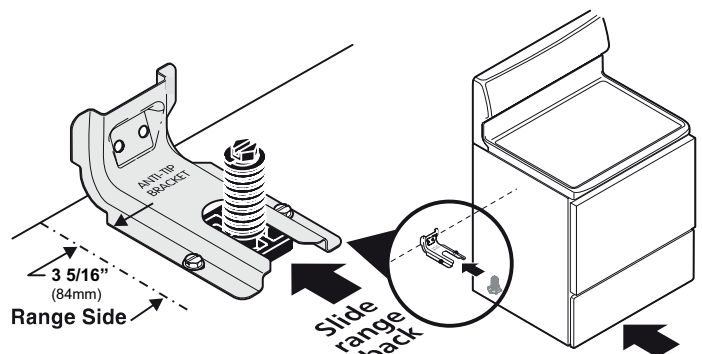


Figure 11: Slide appliance into bracket

To check if the anti-tip bracket is installed properly, use both arms and grasp the rear edge of range back. Carefully attempt to tilt range forward. When properly installed, the range should not tilt forward.

If range is moved to a different location, the anti-tip brackets must also be moved and installed with the range.

40" ELECTRIC RANGE INSTALLATION INSTRUCTIONS

6. Check Operation

Refer to the Use and Care Guide packaged with the range for operating instructions and for care and cleaning of your range.

⚠ CAUTION Do not touch the elements. They may be hot enough to cause burns.

Remove all packaging from the oven before testing.

6.1 Operation of Surface Elements

Turn on each of the four surface elements and check to see that they heat. Check the surface element indicator light(s), if equipped.

6.2 Operation of Oven Elements

The oven is equipped with an electronic oven control. Each of the functions has been factory checked before shipping. However, it is suggested that you verify the operation of the electronic oven controls once more. Refer to the Owner's Guide for operation. Follow the instructions for the Clock, Timer, Bake, Broil, Convection (some models) and Clean (some models) functions.

Bake—After setting the oven to 350°F (177°C) for baking, the floor of the oven cavity should become warm.

Broil—When the oven is set to BROIL, the upper element in the oven should become red.

Clean—When the oven is set for a self-cleaning cycle, the upper element should become red during the preheat portion of the cycle. After reaching the self-cleaning temperature, the floor of the oven cavity should become hot.

Convection—When the oven is set to CONV. BAKE/ROAST at 350°F (177°C), both elements cycle on and off alternately and the convection fan will turn. The convection fan will stop turning when the oven door is opened during convection baking or roasting.

When All Hookups are Complete

Make sure all controls are left in the OFF position.

Model and Serial Number Location

The serial plate is located on top of the range's lower front panel, and can be clearly viewed when the door is open. When ordering parts for or making inquiries about your range, have the model and serial numbers ready. (Figure 13).



Figure 13: Model, serial number location

Before You Call for Service

Read the Avoid Service Checklist and operating instructions in your Owner's Guide. It may save you time and expense. The list includes common occurrences that are not the result of defective workmanship or materials in this appliance.

Refer to the warranty and service information in your Owner's Guide for our phone number and address. Please call or write if you have inquiries about your range product and/or need to order parts.

40" ELECTRIC RANGE INSTALLATION INSTRUCTIONS

NOTES

INSTRUCCIONES DE INSTALACIÓN COCINA ELÉCTRICA DE 40"

LA INSTALACIÓN Y EL SERVICIO DEBEN SER REALIZADOS
POR UN INSTALADOR CALIFICADO.
IMPORTANTE: CONSERVE ESTAS INSTRUCCIONES PARA
USO DEL INSPECTOR LOCAL DE ELECTRICIDAD.
LEA Y CONSERVE ESTAS INSTRUCCIONES PARA REFERENCIA FUTURA.



⚠ ADVERTENCIA PARA SU SEGURIDAD: No guarde ni use gasolina u otros vapores o líquidos inflamables cerca de este o cualquier otro electrodoméstico.

Tabla de contenido

Instrucciones importantes para la seguridad.....	14-15	Nivelado de la cocina	20
Dimensiones del producto.....	16	Instalación de los soportes antivuelco.....	21-22
Dimensiones del gabinete	17	Comprobación del funcionamiento.....	23
Requisitos eléctricos.....	18	Ubicación de la placa de número de serie (modelo y número de serie).....	23
Cable eléctrico.....	19	Notas	24
Construcción del gabinete.....	19		

Aviso importante al consumidor

1. Conserve estas instrucciones con su guía del propietario para referencia futura.
2. Cuando use cualquier electrodoméstico que genere calor debe seguir precauciones de seguridad. Estas precauciones se explican en el manual de uso y cuidado. Lea atentamente el manual.
3. Asegúrese de que su electrodoméstico haya sido correctamente instalado y puesto a tierra de forma adecuada por un instalador calificado o un técnico de servicio.

Notas importantes para el instalador

1. Lea todas las indicaciones de estas instrucciones de instalación antes de instalar la cocina.
2. Elimine todo el material de empaçado del horno y los compartimentos de cajones antes de conectar la alimentación eléctrica a la cocina.
3. Es obligatorio instalar el soporte antivuelco suministrado con el electrodoméstico.
4. Cumpla con todos los códigos y reglamentos aplicables.
5. Asegúrese de dejar estas instrucciones al consumidor.

INSTRUCCIONES DE INSTALACIÓN DE COCINA ELÉCTRICA DE 40"

INSTRUCCIONES DE SEGURIDAD IMPORTANTES

Este electrodoméstico debe haberse instalado y puesto a tierra por un instalador calificado o un técnico de servicio.

Este manual contiene símbolos e instrucciones de seguridad importantes. Le rogamos que preste mucha atención a estos símbolos y siga todas las instrucciones. No intente instalar o usar su electrodoméstico hasta haber leído las precauciones de seguridad indicadas en este manual. Las indicaciones de seguridad presentes en este manual están etiquetadas como "ADVERTENCIA" o "PRECAUCIÓN" de acuerdo con el nivel de riesgo.

Las advertencias e instrucciones importantes de esta guía no fueron pensadas para cubrir todas las condiciones y situaciones posibles. Debe tener sentido común, tener cuidado y prestar atención al instalar, operar y mantener su electrodoméstico.

! Este es el símbolo de las alertas de seguridad. Se usa para alertar sobre peligros potenciales de lesiones personales. Obedezca todos los mensajes de seguridad que lleven este símbolo para evitar posibles lesiones o la muerte.

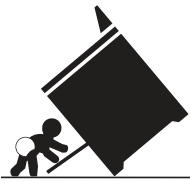
! ADVERTENCIA Indica una situación potencialmente peligrosa que, si no se evita, podría causar lesiones graves o la muerte.

! PRECAUCIÓN Indica una situación potencialmente peligrosa que, si no se evita, podría causar lesiones personales leves o moderadas.

IMPORTANTE: Indica información importante, de instalación, de funcionamiento o de mantenimiento que no está relacionada con situaciones de peligro.

! ADVERTENCIA

Riesgo de volcamiento

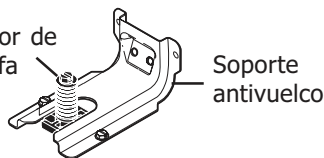


- Un niño o adulto puede volcar la estufa y acabar muerto.
- Verifique que se haya instalado el dispositivo antivuelco en el piso o en la pared.

- Asegúrese de que el dispositivo antivuelco se haya reacomplado cuando mueva la estufa sobre el piso o a la pared.
- No utilice la estufa sin el dispositivo antivuelco instalado y acoplado.
- Si no se siguen estas instrucciones, se puede provocar la muerte o quemaduras graves en niños y adultos.



Tornillo nivelador de la estufa



Para verificar si el soporte antivuelco está instalado correctamente, sostenga el borde trasero de la parte trasera de la estufa usando ambos brazos. Intente inclinar la estufa hacia adelante con cuidado. Si está instalada correctamente, la estufa no debería inclinarse hacia adelante.

Consulte las instrucciones de instalación del soporte antivuelco proporcionadas con la estufa para instalarlo adecuadamente.

! ADVERTENCIA

- **Riesgo de peso excesivo:** Para mover e instalar la cocina se necesitan dos o más personas. El incumplimiento de estas instrucciones puede provocar lesiones en la espalda o de otro tipo.
- **Almacenamiento dentro o sobre el electrodoméstico:** No deben almacenarse materiales inflamables dentro de un horno, cerca de los quemadores o elementos superiores o en el cajón almacenamiento o de calentar (en su caso). Esto incluye artículos de papel, plástico y tela, tales como libros de cocina, objetos de plástico y toallas, así como líquidos inflamables. No guarde explosivos, como latas de productos en aerosol, sobre o cerca del electrodoméstico.
- **No deje a los niños solos:** No se debe dejar a los niños solos o sin vigilancia en el área donde se usa el electrodoméstico. Nunca permita que los niños se sienten o se paren sobre ninguna pieza del electrodoméstico, incluyendo el cajón de almacenamiento, el cajón asador inferior, el cajón calentador o el horno doble inferior.
- No guarde artículos atractivos para los niños en los gabinetes que estén arriba del electrodoméstico o en el protector trasero. Si los niños se suben o acercan al electrodoméstico para alcanzar dichos artículos podrían sufrir lesiones graves.
- Pararse, apoyarse o sentarse sobre la puerta o los cajones de este aparato puede causar lesiones graves y, además, dañar el electrodoméstico.
- No utilice el horno ni el cajón de calentar (en su caso) para almacenaje.
- Nunca utilice su electrodoméstico como calefactor para calentar la habitación. Si lo hace puede producirse una intoxicación por monóxido de carbono y un sobrecalentamiento del electrodoméstico.
- No guarde ni use gasolina u otros vapores o líquidos inflamables cerca de este o cualquier otro electrodoméstico.

INSTRUCCIONES DE INSTALACIÓN DE COCINA ELÉCTRICA DE 40"

INSTRUCCIONES IMPORTANTES PARA DESEMPACADO E INSTALACIÓN

Lea y siga las siguientes instrucciones y precauciones a la hora de desempacar, instalar y realizar el mantenimiento del electrodoméstico:

- Destruya la caja de cartón y las bolsas de plástico después de desempacar el electrodoméstico. Nunca deje que los niños jueguen con el material de empaque. No retire la etiqueta del cableado y otras indicaciones escritas adheridas al electrodoméstico. No retire la placa de número de modelo/serie.
- Las temperaturas bajas pueden dañar el control electrónico. Cuando use el electrodoméstico por primera vez, o cuando este no se haya usado por un período largo de tiempo, asegúrese de que la unidad esté en temperaturas superiores a los 32°F (0°C) durante al menos 3 horas antes de encenderla.
- No modifique ni altere la construcción del electrodoméstico a través de la extracción de los tornillos niveladores, los paneles, los protectores de cables, los tornillos o soportes antivuelco u otra pieza.
- Instalación adecuada: Asegúrese de que su electrodoméstico haya sido correctamente instalado y puesto a tierra por un técnico calificado. En Estados Unidos, debe instalarse de acuerdo con el Código Nacional de Gas Combustible ANSI Z223.1/NPFA No. 54, última edición y el Código eléctrico Nacional NFPA No. 70 última edición, además de los requisitos normativos locales. En Canadá este electrodoméstico debe instalarse según CAN/CGA B149.1 y CAN/CGA B149.2 y la norma CSA Estándar C22.1 del Código Canadiense de Electricidad (Canadian Electrical Code), Parte 1, últimas ediciones, y los códigos eléctricos locales. Instale siguiendo solamente las instrucciones de instalación proporcionadas en la documentación de este electrodoméstico.
- La instalación de electrodomésticos diseñados para su instalación en viviendas manufactureras (móviles) debe cumplir la Norma sobre construcción y seguridad de viviendas manufactureras, título 24CFR, parte 3280 [Anteriormente Norma Federal sobre construcción y seguridad de viviendas móviles, título 24, HUD (parte 280)] o bien, en los casos en los que no sea aplicable esta Norma, la Norma para la instalación de viviendas manufactureras 1982 (Manufactured Home Sites, Communities and Setups), ANSI Z225.1/NFPA 501A-última edición, o bien cumplir los códigos locales en Estados Unidos y CAN/CSA-Z240 MH en Canadá.
- Antes de instalar una cocina en una zona cubierta con linóleo o cualquier otro tipo de revestimiento sintético del piso, asegúrese de que el revestimiento resiste al menos 90°F (32,2°C) por encima de la temperatura ambiente sin encogerse, deformarse ni decolorarse. No instale la cocina sobre alfombras o moquetas salvo que incluya una almohadilla u hoja aislante de contrachapado de ¼" (0,64 cm) de espesor entre la cocina y el alfombrado.

- Asegúrese de que todos los revestimientos de los muros y materiales de los gabinetes cercanos a la cocina pueden resistir el calor que genera el electrodoméstico.
- Para eliminar el riesgo de quemaduras o incendios en movimientos por encima de la superficie caliente de las unidades, debe evitarse el espacio de almacenamiento en gabinetes sobre la superficie. Si va a incluirse almacenamiento en gabinete, puede reducirse al riesgo instalando una campana extractora que sobresalga horizontalmente un mínimo de 5 pulgadas más allá de la base del gabinete.
- No obstruya el flujo de aire de la ventilación del horno, alrededor de la base o bajo el panel frontal inferior del electrodoméstico. Este electrodoméstico necesita aire fresco para un funcionamiento correcto.
- Asegúrese de que haya un extintor de espuma adecuado disponible, ubicado de manera visible y fácilmente accesible cerca del electrodoméstico.

INSTRUCCIONES IMPORTANTES PARA SERVICIO Y MANTENIMIENTO

- No repare ni reemplace ninguna pieza del electrodoméstico a menos que se recomiende específicamente en los manuales. Las reparaciones adicionales deben ser realizadas por un técnico calificado. Esto reduce el riesgo de lesiones personales y daños al electrodoméstico.
- Contacte siempre a su dealer, distribuidor, agente de servicio o fabricante sobre los problemas o situaciones que no comprenda.
- Consulte con su distribuidor para que le recomiende un técnico calificado y un centro de servicio autorizado. Aprenda a desconectar la energía eléctrica del electrodoméstico en el disyuntor o en la caja de fusibles en caso de una emergencia.
- Saque la puerta del horno de todo electrodoméstico que ya no se utilice cuando lo guarde o lo descarte.
- No toque una bombilla caliente del horno con un paño húmedo. Esto puede hacer que la bombilla se rompa. Manipule las luces halógenas (en su caso) con toallas de papel o guantes suaves. Desconecte o apague el electrodoméstico antes de sacar y sustituir la bombilla.

INSTRUCCIONES DE INSTALACIÓN DE COCINA ELÉCTRICA DE 40"

Dimensiones del producto

⚠ ADVERTENCIA No instale la unidad en el gabinete antes de leer las dos páginas siguientes.

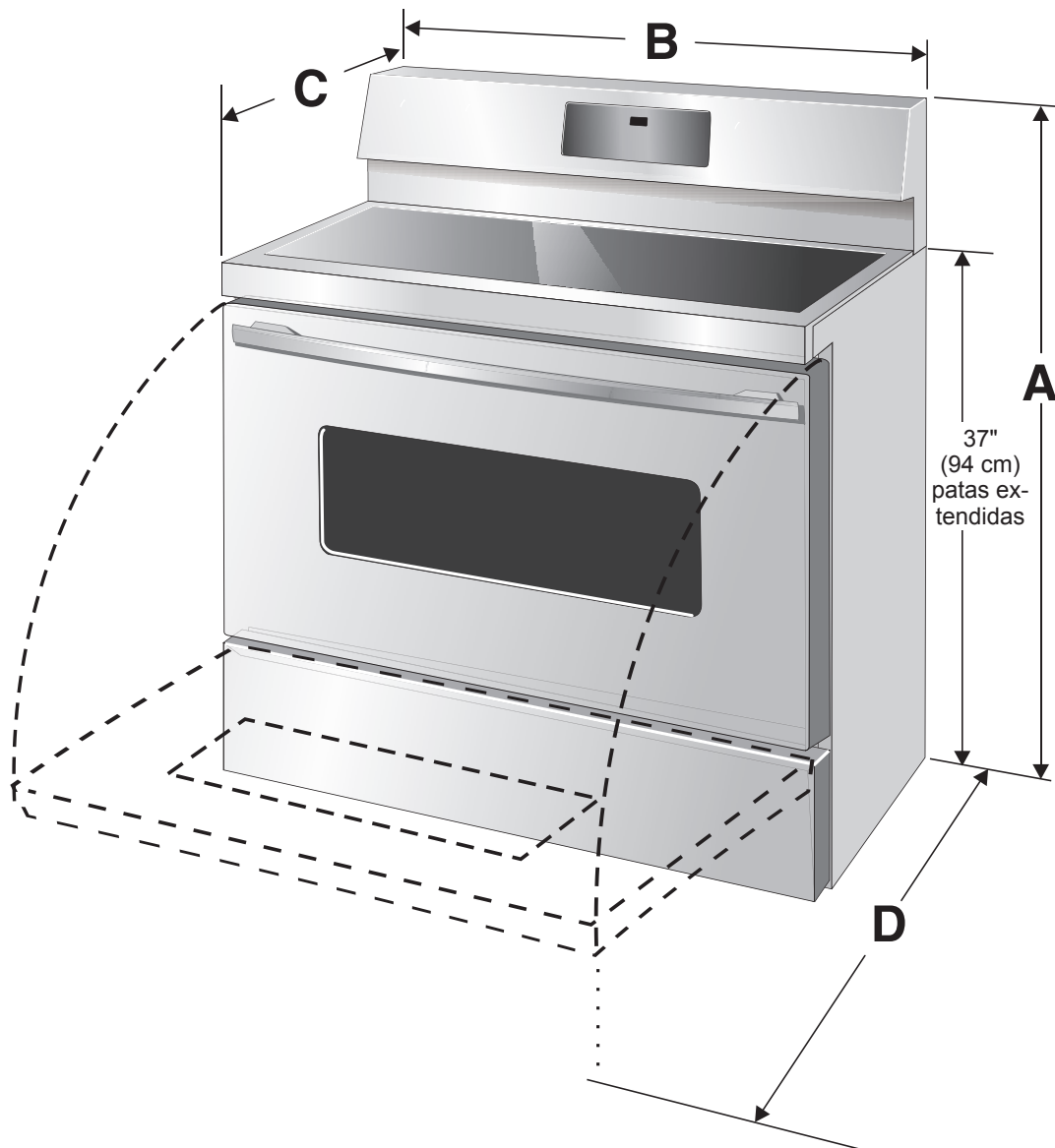


Figura 1: Dimensiones del producto

A. ALTO	B. ANCHO	C. FONDO HASTA LA PARTE FRONTAL DE LA COCINA	D. FONDO CON LA PUERTA ABIERTA
49" (124,5 cm)	40" (101,6 cm)	26 1/16" (66,2 cm) 28 1/2" (72,4 cm) máx con la manija	47 3/4" (121.3 cm)

INSTRUCCIONES DE INSTALACIÓN DE COCINA ELÉCTRICA DE 40"

Dimensiones del gabinete

Distancias y dimensiones

- Deje suficiente espacio entre el electrodoméstico y las superficies combustibles adyacentes.
- Ubicación: Compruebe la ubicación donde vaya a instalarse el electrodoméstico. Compruebe el suministro eléctrico adecuado y la estabilidad del piso.
- Deben utilizarse las dimensiones mostradas. Las dimensiones dadas ofrecen la distancia mínima. La superficie de contacto debe ser sólida y nivelada.

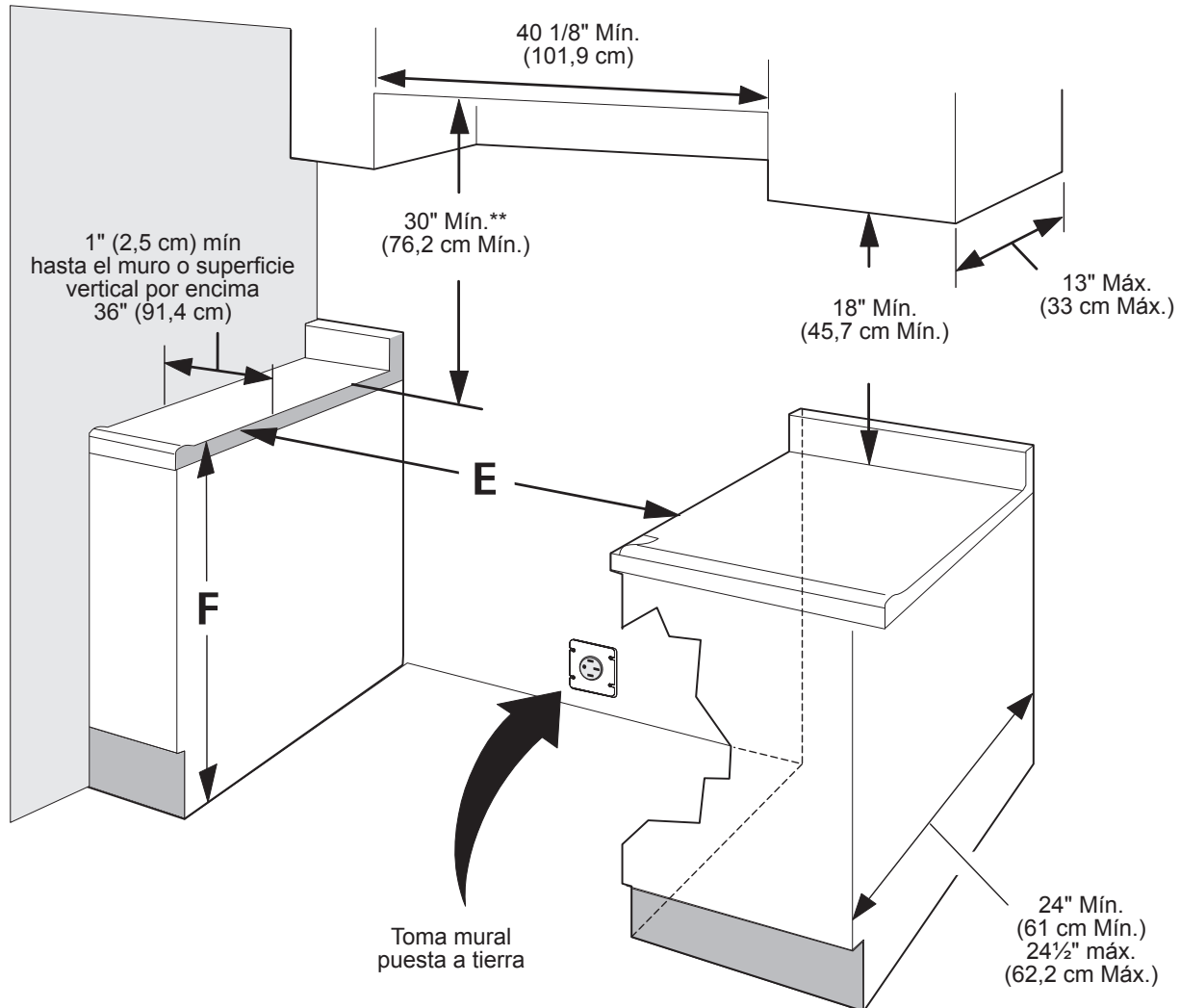


Figura 2: Dimensiones del gabinete

E. PROFUNDIDAD DE CORTE MÍNIMA	F. ALTURA DE LA ENCIMERA
40 1/4" (102,2 cm)	36" (91,4 cm) estándar 35 7/8" (91,1 cm) mínimo

NOTAS:

1. No selle la cocina a los gabinetes laterales.
2. 30" (76,2 cm) de distancia mínima si el gabinete no está protegido.
* * 24" (61 cm) de distancia mínima entre la superficie de cocción y la parte inferior del gabinete si la base de madera o metálica del gabinete tiene una protección superior igual a 1/4" (0,64 cm) de retardante de llamas tipo Millboard recubierto con al menos una chapa metálica MSG No. 28, 0,015" (0,4 mm) de acero inoxidable, 0,024" (0,6 mm) de aluminio o 0,020" (0,5 mm) de cobre.
3. 0" de espacio entre la cocina y los gabinetes o superficies verticales situadas por debajo de la altura de la superficie de cocción.
4. 0" de espacio entre la parte trasera de la cocina y los gabinetes o muro traseros.

INSTRUCCIONES DE INSTALACIÓN DE COCINA ELÉCTRICA DE 40"

1. Requisitos eléctricos

⚠ ADVERTENCIA

Riesgo de choque eléctrico: Este electrodoméstico necesita una puesta a tierra eléctrica. Utilice solo el cable eléctrico suministrado con el electrodoméstico. Unas conexiones y una puesta a tierra incorrectas pueden provocar descargas eléctricas, daños al electrodoméstico, lesiones personales, incendios o la muerte.


Requisitos de puesta a tierra

Este electrodoméstico debe haberse instalado y puesto a tierra por un técnico calificado.

En Estados Unidos, debe instalarse de acuerdo con el Código Nacional de Gas Combustible ANSI Z223.1/NPFA No. 54, última edición y el Código eléctrico Nacional NFPA No. 70 última edición, además de los requisitos normativos locales. En Canadá este electrodoméstico debe instalarse según CAN/CGA B149.1 y CAN/CGA B149.2 y la norma CSA Estándar C22.1 del Código Canadiense de Electricidad (Canadian Electrical Code), Parte 1, últimas ediciones, y los códigos eléctricos locales.

Para su seguridad personal, este electrodoméstico debe estar debidamente puesto a tierra. Para una máxima seguridad, el cable de alimentación debe estar enchufado a un tomacorriente del voltaje adecuado, que esté correctamente polarizado y debidamente puesto a tierra de acuerdo con los códigos locales. Es la responsabilidad personal del consumidor hacer que un electricista calificado instale un tomacorriente adecuado con un receptáculo de pared debidamente puesto a tierra.

Este electrodoméstico está hecho para conectarse a una toma mural estándar 14-50R.

Toma eléctrica mural	
	Obligatorio para todas las instalaciones Toma de 4 conductores (14-50R)

Cuando solo haya disponible un suministro eléctrico de 4 conductores, monofásico, de 240 voltios, 60 Hz y AC, este aparato requiere una protección mínima de circuito de 40 amp con fusibles en ambos lados de la línea.

Se recomienda un interruptor disyuntor o un fusible retardado.

Asegúrese de que la toma mural sea accesible con la posición final de instalación del electrodoméstico.

No pince el cable eléctrico entre la cocina y el muro.

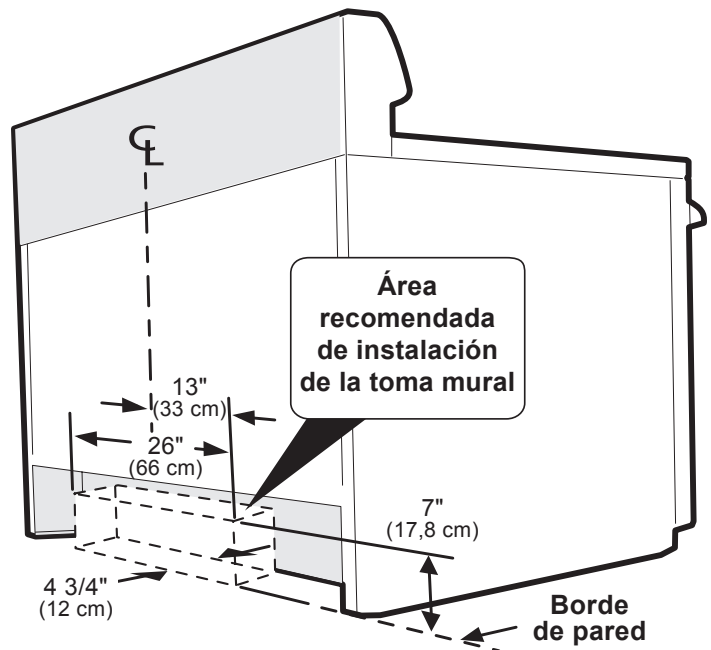


Figura 3: Área recomendada de instalación de la toma mural

INSTRUCCIONES DE INSTALACIÓN DE COCINA ELÉCTRICA DE 40"

2. Cable eléctrico

⚠ ADVERTENCIA

Riesgo de choque eléctrico: No intente instalar el electrodoméstico directamente en una caja de conexiones, modificar el cable instalado de fábrica o conectar un cable diferente al electrodoméstico. Si la toma eléctrica no basta para soportar las exigencias de este electrodoméstico, es responsabilidad del consumidor hacer que un electricista calificado instale un tomacorriente adecuado. Una instalación y unas conexiones eléctricas incorrectas pueden provocar descargas eléctricas, daños al electrodoméstico, lesiones personales, incendios o la muerte.

Este electrodoméstico está equipado con un cable eléctrico de 4 conductores conectado en la fábrica (Figura 4). Este cable tiene una capacidad nominal de 240 voltios, 40 amperios y una temperatura de 194°F (90°C). Este cable es conforme con UL/CSA y se ha comprobado y aprobado para usarse con este electrodoméstico.

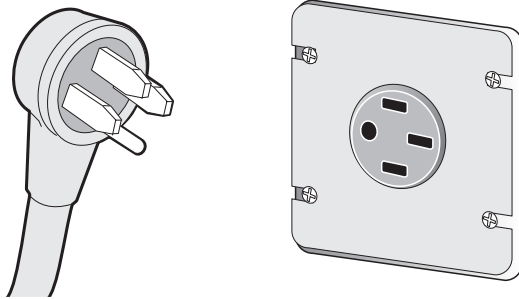


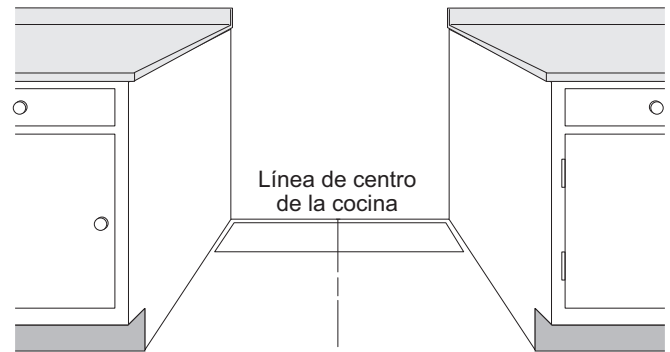
Figura 4: Cable eléctrico conectado en la fábrica

Valores nominales del electrodoméstico*		Alimentación eléctrica nominal	
120/240 voltios	120/208 voltios	Amps	Valor de temperatura
8,8-16,5 kW	7,8-12,5 kW	40 o 50	194°F (90°C)
16,6-22,5 kW	12,6-18,5 kW	50	194°F (90°C)

* La carga NEC calculada es inferior a la carga conectada total indicada en la placa de serie.

3. Construcción del gabinete

⚠ PRECAUCIÓN Para eliminar el riesgo de quemaduras o incendios en movimientos por encima de la superficie caliente de las unidades, debe evitarse el almacenamiento en gabinetes sobre la cocina. Si hay espacio de almacenamiento en gabinetes por encima de la cocina, reduzca el riesgo instalando una campana extractora que sobresalga horizontalmente un mínimo de 5" (12,7 cm) más allá de la base del gabinete.



Siga las instrucciones para el tipo de instalación que tiene

Figura 5: Construcción del gabinete

3.1 Instalación: Gabinete a ambos lados

1. Si la cocina va a instalarse con un gabinete a ambos lados, dibuje la línea central en el piso entre los dos gabinetes (Figura 5).
2. Si la parte trasera de la cocina no va a quedar junto al muro (la ubicación de la toma puede no permitir la ubicación de la cocina contra el muro), dibuje una línea en el piso donde estará el borde trasero de la cocina.
3. Instale soportes antivuelco (consulte "Instalación del soporte antivuelco").

3.2 Instalación: Gabinete solo a un lado

1. Si la cocina va a instalarse con un gabinete a un lado solamente, coloque la cocina en su posición final.
2. Dibuje una línea en el piso a lo largo del costado de la cocina que no queda contra el gabinete. Si la parte trasera de la cocina no va a quedar junto al muro (la ubicación de la toma puede no permitir la ubicación de la cocina contra el muro), dibuje una línea en el piso donde estará el borde trasero de la cocina.
3. Instale soportes antivuelco (consulte "Instalación del soporte antivuelco").

3.3 Instalación: Sin gabinete

1. Si la cocina no se va a instalar contra un gabinete, coloque la cocina en su posición final.
2. Marque en el piso a lo largo de ambos lados de la cocina. Si la parte trasera de la cocina no va a quedar junto al muro (la ubicación de la toma puede no permitir la ubicación de la cocina contra el muro), dibuje una línea en el piso donde estará el borde trasero de la cocina.
3. Instale soportes antivuelco (consulte "Instalación del soporte antivuelco").

INSTRUCCIONES DE INSTALACIÓN DE COCINA ELÉCTRICA DE 40"

4. Nivelado de la cocina

Nivele la cocina y ajuste la altura de la superficie de cocción antes de instalar en la abertura recortada (en su caso).

1. Coloque una parrilla en el centro del horno.
2. Coloque un nivel en la parrilla (Figura 6). Realice 2 lecturas con el nivel colocado en diagonal, primero en una dirección y luego en la otra.

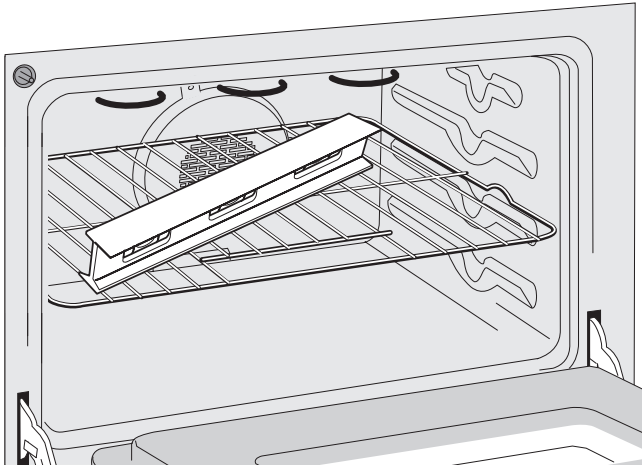


Figura 6: Nivelado de la cocina

3. Nivele la cocina, si es necesario, ajustando los 4 niveladores de las patas con una llave (Figura 7).

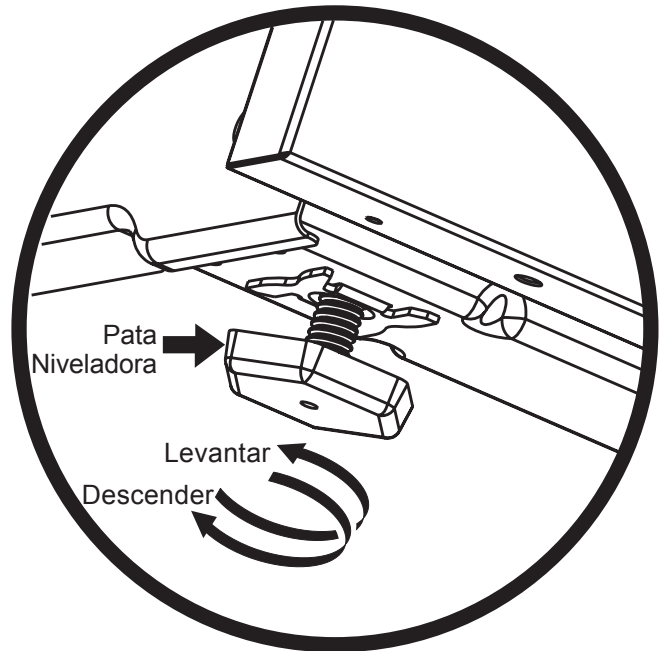


Figura 7: Ajuste de la altura del electrodoméstico

4. Deslice la cocina en la abertura recortada y verifique que está nivelada. Si la cocina no está nivelada, extraiga la unidad y reajuste las patas de nivelado, o asegúrese de que el suelo esté nivelado.

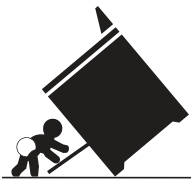
5. Instalación del soporte antivuelco

⚠ ADVERTENCIA Para reducir el riesgo de vuelco del electrodoméstico, debe fijarse al piso con el soporte antivuelco y los tornillos incluidos con la cocina debidamente instalados. Estas piezas se encuentran en el horno. Si no instalará el soporte antivuelco, la cocina puede volcarse en caso de que se le aplique un peso excesivo a la puerta abierta o si un niño se sube a ella. El derrame de líquidos calientes o la propia cocina pueden provocar lesiones de gravedad.

Si se traslada la cocina a una ubicación diferente, los soportes antivuelco también deben trasladarse e instalarse con la cocina.

Herramientas necesarias:

- Llave inglesa
- Trinquete
- Taladradora con broca de 1/8" (0,32 cm)
- Llave para tuercas de 5/16" (0,8 cm)
- Nivel



⚠ ADVERTENCIA

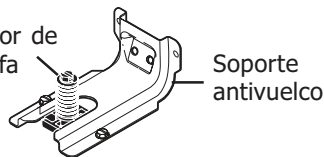
Riesgo de volcamiento

- Un niño o adulto puede volcar la estufa y acabar muerto.
- Verifique que se haya instalado el dispositivo antivuelco en el piso o en la pared.

- Asegúrese de que el dispositivo antivuelco se haya reacomplado cuando mueva la estufa sobre el piso o a la pared.
- No utilice la estufa sin el dispositivo antivuelco instalado y acoplado.
- Si no se siguen estas instrucciones, se puede provocar la muerte o quemaduras graves en niños y adultos.



Tornillo nivelador de la estufa



Soporte antivuelco

Para verificar si el soporte antivuelco está instalado correctamente, sostenga el borde trasero de la parte trasera de la estufa usando ambos brazos. Intente inclinar la estufa hacia adelante con cuidado. Si está instalada correctamente, la estufa no debería inclinarse hacia adelante.

Consulte las instrucciones de instalación del soporte antivuelco proporcionadas con la estufa para instalarlo adecuadamente.

5.1 Localice el soporte usando la plantilla

El soporte puede situarse en el lado izquierdo o derecho de la cocina. Marque en el piso o la pared en lugar donde se encontrará el lado izquierdo o derecho de la cocina.

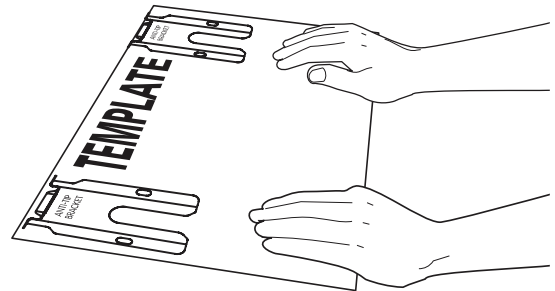


Figura 8: Plantilla para el soporte

Si la parte trasera de la cocina está contra un muro o a no más de 1-1/4" de un muro tras la instalación, puede utilizar el método de montaje en el piso o en un muro. Si hay alguna moldura decorativa instalada que no permite el encaje del soporte contra la pared, retire la moldura o monte el soporte sobre el piso.

Para montaje en la pared, localice el soporte situando el borde trasero de la plantilla contra el muro trasero y el lado de la plantilla en la marca de referencia del lado de la cocina. Sitúe el soporte sobre la plantilla y marque la ubicación de los orificios en el muro.

Si la parte trasera de la cocina está a más de 1-1/4" de un muro tras la instalación, fije el soporte al piso. Para montaje en el piso, localice el soporte situando el borde trasero de la plantilla donde estará la parte trasera de la cocina.

Marque la ubicación de los orificios indicados en la plantilla.

INSTRUCCIONES DE INSTALACIÓN DE COCINA ELÉCTRICA DE 40"

5.2 Perfore los orificios guía y fije el soporte

Perfore un orificio guía de 1/8" donde deban situarse los tornillos. Si el soporte va a fijarse al muro, el orificio guía debe tener un ángulo aproximado de 20° hacia abajo. Si el soporte va a montarse en mampostería o pisos cerámicos, perfore un orificio guía de 3/16" (4,8 mm) y 1-3/4" de profundidad.

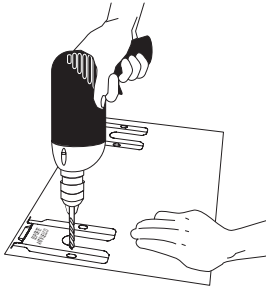


Figura 9: Perfore los orificios guía

Los tornillos suministrados pueden utilizarse en materiales como madera o concreto. Utilice una llave para tuercas de 5/16" o un destornillador de punta plana para fijar el soporte en su lugar.

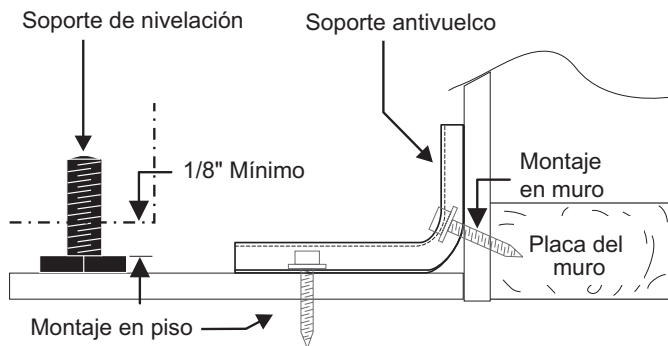


Figura 10: Fijación del soporte

5.3 Compruebe el nivelado y la posición de la cocina

Compruebe el nivelado de la instalación final.

Nota: Es necesario un espacio mínimo de 1/8" entre la parte inferior de la cocina y la pata de nivelado para dejar espacio para el soporte. Utilice un nivel de burbuja para comprobar los ajustes.

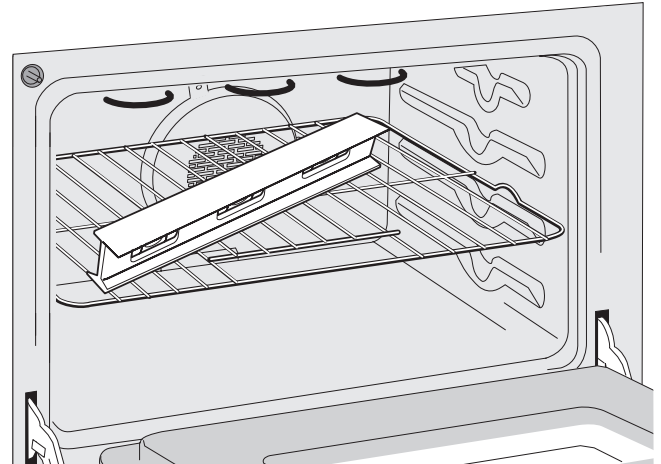


Figura 11: Nivelado de la cocina

Deslice la cocina hasta su posición.

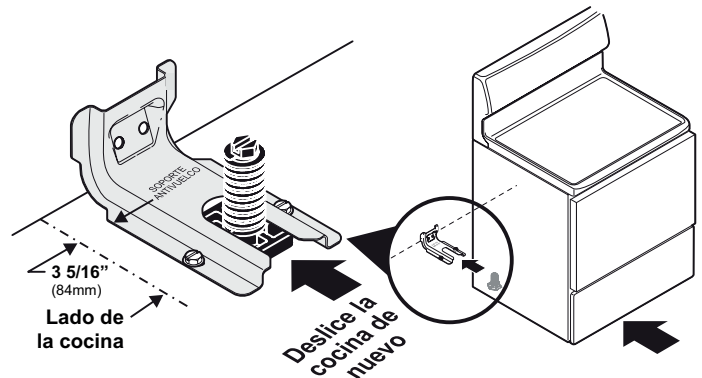


Figura 11: Deslice el electrodoméstico en el soporte

Para comprobar si el soporte antivuelco se ha instalado correctamente, sostenga con ambas manos el borde trasero de la parte trasera de estufa. Con cuidado, trate de inclinar la estufa hacia delante. Si está correctamente instalada, la estufa no se inclinará hacia delante.

Si se traslada la cocina a una ubicación diferente, los soportes antivuelco también deben trasladarse e instalarse con la cocina.

INSTRUCCIONES DE INSTALACIÓN DE COCINA ELÉCTRICA DE 40"

6. Comprobación del funcionamiento

Consulte las instrucciones de uso y de cuidado y limpieza de la cocina en el manual de uso y cuidado incluido.

⚠ PRECAUCIÓN No toque los elementos. Pueden estar lo suficientemente calientes como para provocar quemaduras.

Quite todo el material de empaque del horno antes de probarlo.

6.1 Uso de los elementos de superficie

Active cada uno de los cuatro elementos de superficie y verifique que calientan. Compruebe las luces indicadoras de los elementos de superficie, en su caso.

6.2 Uso de los elementos del horno

El horno está equipado con un control electrónico. Todas las funciones se han comprobado en fábrica antes del envío. No obstante, recomendamos que verifique una vez más la operación de los controles electrónicos del horno. Consulte la operación en el manual del propietario. Siga las instrucciones para las funciones de reloj, temporizador, horneado, rostizado, convección (algunos modelos) y limpieza (algunos modelos).

Horneado: Tras ajustar el horno en 350°F (177°C) para hornear, el piso de la cavidad debe calentarse.

Rostizado: Cuando el horno se ajusta en BROIL, el elemento superior del horno debe cambiar a rojo.

Limpieza: Cuando se programa un ciclo de auto limpieza del horno, el elemento superior debe cambiar a rojo durante la fase de precalentamiento del ciclo. Tras alcanzar la temperatura de autolimpieza, el piso de la cavidad del horno debe calentarse.

Convección: Cuando el horno se ajusta en CONV. BAKE/ROAST a 350°F (177°C), ambos elementos se encienden y apagan alternativamente y el ventilador de convección gira. El ventilador de convección deja de girar al abrir la puerta durante el horneado o rostizado por convección.

Cuando todas las conexiones están completas
Asegúrese de que todos los controles se encuentran en la posición OFF.

Ubicación del número de modelo y de serie

La placa de serie se encuentra en la parte superior del panel frontal inferior de la cocina y puede verse claramente con la puerta abierta. Cuando llame para pedir partes o hacer consultas sobre su cocina, tenga preparados los números de modelo y de serie. (Figura 13).



Figura 13: Ubicación del número de modelo y de serie

Antes de solicitar asistencia técnica

Lea la lista de comprobación previa a la llamada a la asistencia técnica y las instrucciones de operación de su manual del propietario. Puede ahorrarle tiempo y dinero. La lista incluye situaciones comunes que no son el resultado de mano de obra o materiales defectuosos en este electrodoméstico.

Consulte en la información de garantía y servicio del manual del propietario nuestro número de teléfono y dirección. Llame o escriba si tiene alguna consulta sobre su cocina y/o necesita solicitar alguna parte.

NOTAS

NOTICE D'INSTALLATION

CUISINIÈRE ÉLECTRIQUE DE 102 CM (40 PO)

L'INSTALLATION ET L'ENTRETIEN DOIVENT ÊTRE EFFECTUÉS
PAR UN INSTALLATEUR QUALIFIÉ

IMPORTANT : CONSERVER POUR L'INSPECTEUR EN ÉLECTRICITÉ.

LIRE ET CONSERVER CES INSTRUCTIONS POUR LES CONSULTER ULTÉRIEUREMENT

États-Unis



⚠ AVERTISSEMENT POUR VOTRE SÉCURITÉ : Ne pas entreposer ni utiliser d'essence ou autres vapeurs et liquides inflammables à proximité de ou de tout autre appareil.

Table des matières

Consignes de sécurité importantes	26-27	Mise à niveau de la cuisinière	32
Dimensions du produit.....	28	Installation du support anti basculement	33-34
Dimensions du réduit.....	29	Vérifier le fonctionnement.....	35
Besoins en électricité.....	30	Emplacement de la plaque signalétique (modèle et n° de série).....	35
Cordon d'alimentation.....	31	Remarques.....	36
Construction du réduit	31		

Remarque importante pour le consommateur

1. Garder cette notice avec votre guide du propriétaire pour référence future.
2. Certaines mesures de sécurité doivent être prises lors de l'utilisation d'un appareil générant de la chaleur. Ces mesures sont expliquées dans votre manuel d'utilisation et d'entretien. Lire attentivement votre manuel d'utilisation et d'entretien.
3. S'assurer que l'appareil est installé et mis à la terre par un installateur qualifié ou un technicien autorisé et expérimenté.

Remarques importantes à l'installateur

1. Lire toutes les directives contenues dans les notices avant d'installer.
2. Retirer tous les emballages du four et des compartiments tiroirs avant de brancher l'alimentation électrique de la cuisinière.
3. Le support anti basculement fourni avec l'appareil doit être installé.
4. Respecter tous les codes et règlements en vigueur.
5. Veiller à laisser ces directives avec le consommateur.

CONSIGNES DE SÉCURITÉ IMPORTANTES

Cet appareil doit être installé, mis à la terre et entretenu par un installateur qualifié ou un technicien autorisé et expérimenté.

Ce manuel contient des consignes de sécurité importantes et des symboles. Prêter attention à ces symboles et respecter toutes les consignes. Ne pas tenter d'installer ou de faire fonctionner votre appareil avant d'avoir lu les consignes de sécurité contenues dans ce manuel. Tous les points de sécurité sont précédés de la mention AVERTISSEMENT ou PRUDENCE selon le type de risque.

Les avertissements et les consignes importantes figurant dans le manuel ne sont pas destinés à prévoir toutes les situations qui peuvent survenir. On doit faire preuve de bon sens, d'attention et de prudence lors de l'installation, de l'entretien ou de l'utilisation de votre appareil.

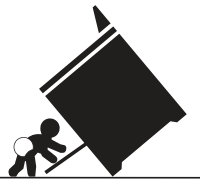
⚠ Ceci est le symbole d'alerte de sécurité. Il est utilisé pour vous avertir des risques de dommages corporels. Respecter tous les messages de sécurité qui suivent ce symbole afin d'éviter les risques de blessures graves ou mortelles.

⚠ AVERTISSEMENT Indique une situation potentiellement dangereuse qui, si elle n'est pas évitée, peut entraîner la mort ou causer des lésions corporelles graves.

⚠ ATTENTION Indique une situation potentiellement dangereuse qui, si elle n'est pas évitée, peut entraîner des blessures mineures ou modestes.

IMPORTANT : Indique l'installation, l'exploitation, l'entretien ou des renseignements précieux non liés à un risque.

⚠ AVERTISSEMENT **Risque de basculement**

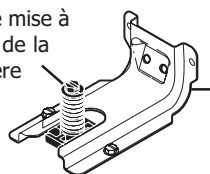


- Un enfant ou un adulte peut faire basculer la cuisinière et en décéder.
- Vérifiez que le dispositif anti-renversement a été fixé au plancher ou au mur.

- Assurez-vous d'enclencher le dispositif anti-renversement lorsque la cuisinière est déplacée sur le plancher ou contre le mur.
- Ne faites pas fonctionner la cuisinière si le dispositif anti-renversement n'est pas en place et enclenché.
- Le non-respect de ces instructions peut causer des blessures fatales ou de graves brûlures aux enfants et aux adultes.



Pied de mise à niveau de la cuisinière



Support anti-renversement

Pour vérifier si le support anti-renversement est correctement installé, attrapez le bord arrière de la cuisinière à deux mains, et essayez doucement de faire basculer la cuisinière vers l'avant. Lorsque le support est correctement installé, la cuisinière ne doit pas basculer vers l'avant.

Reportez-vous aux instructions d'installation du support anti-renversement fournies avec la cuisinière pour vous assurer que l'installation est effectuée de façon appropriée.

⚠ AVERTISSEMENT

- **Risque excessif de poids** — Utiliser deux ou plus de personnes pour déplacer et installer la cuisinière. Le non-respect de cette consigne peut causer des blessures au dos ou d'autres lésions corporelles sérieuses.
- **Rangement dans ou sur l'appareil** — Les matériaux inflammables ne doivent pas être rangés dans un four ou un four micro-ondes, près des éléments ou brûleurs de surface, ou dans le tiroir de rangement ou le réchaud (si pourvu). Cela comprend le papier, les matières plastiques et les objets en tissu comme les livres de cuisine, les ustensiles en plastique, les serviettes et inclut également les liquides inflammables. Ne pas ranger de matières explosives comme les aérosols sur ou à proximité de l'appareil.
- **Ne jamais laisser des enfants seuls** — Les enfants ne doivent jamais être laissés sans surveillance dans la pièce où l'appareil est en cours d'utilisation. Ils ne doivent jamais être autorisés à s'asseoir ou se tenir sur une partie quelconque de l'appareil, y compris le tiroir de rangement, la rôtisserie, le réchaud ou le four inférieur d'une cuisinière à deux fours.
- Ne pas déposer des articles qui présentent un intérêt pour les enfants dans les rangements situés au-dessus de l'appareil ou sur le dossier de la cuisinière. Les enfants qui tenteraient de grimper sur ou près de l'appareil pour atteindre ces articles risquent d'être blessés gravement.
- Monter, s'appuyer ou s'asseoir sur la porte ou sur les tiroirs de l'appareil ménager peut causer des lésions corporelles graves et endommager l'appareil.
- Ne pas utiliser le four ou le réchaud (si équipé) comme rangement.
- Ne jamais utiliser la cuisinière comme un radiateur pour chauffer ou tempérer la pièce. Cela peut occasionner une intoxication au monoxyde de carbone et provoquer une surchauffe de l'appareil.
- Ne pas entreposer ni utiliser d'essence ou autres vapeurs et liquides inflammables à proximité de ou de tout autre appareil.

NOTICE D'INSTALLATION — CUISINIÈRE ÉLECTRIQUE DE 102 CM (40 PO)

CONSIGNES IMPORTANTES POUR LE DÉBALLAGE ET L'INSTALLATION

Lire et suivre les instructions et précautions ci-dessous pour le déballage, l'installation et l'entretien de votre appareil :

- Détruire le carton et les sacs en plastique après avoir déballé l'appareil. Ne jamais laisser les enfants jouer avec des matériaux d'emballage. Ne pas retirer l'étiquette et les autres documents joints à l'appareil. Ne pas retirer la plaque signalétique indiquant le numéro de série et le modèle.
- Les températures froides peuvent endommager l'électronique de commande. Lors de la première mise en marche de l'appareil, ou lorsque l'appareil n'a pas été utilisé pendant une longue période, s'assurer qu'il a été maintenu à des températures supérieures à 0 °C (32 °F) pendant au moins 3 heures avant de le mettre en marche.
- Ne jamais modifier ou altérer la construction de l'appareil en retirant les pattes de mise à niveau, panneaux, cache-fils, support anti basculement et vis, ou toute autre partie de l'appareil.
- Pour une installation adéquate—s'assurer que votre appareil est correctement installé et mis à la terre par un technicien qualifié. Aux États-Unis—installation en conformité avec le National Fuel Gas Code ANSI Z223.1/NPFA № 54, dernière édition et le National Electrical Code NFPA № 70, dernière édition et les exigences du code local de l'électricité. Au Canada—installation en conformité avec les normes CAN/CGA B149.1, CAN/CGA B149.2 et CSA C22.1, Partie 1 du Code canadien de l'électricité (CCÉ), dernières éditions, et les exigences du code local de l'électricité. Installer uniquement en respectant les notices d'installation fournies dans la documentation de l'appareil.
- L'installation d'appareils conçus pour les maisons préfabriquées (mobiles) doit être conforme aux normes Manufactured Home Construction and Safety Standards américaines, intitulé 24CFR, partie 3280 (anciennement la Federal Standard for Mobile Home Construction and Safety, intitulé 24, HUD [280] ou lorsque de telles normes ne s'appliquent pas, à la norme Standard for Manufactured Home Installation 1982 [Manufactured Home Sites, Communities and Setups], ANSI Z225.1/ NFPA 501A-dernière édition, ou aux codes locaux aux États-Unis et à la norme CAN/CSA-Z240 MH au Canada.
- Avant d'installer la cuisinière dans un endroit recouvert de linoléum ou de tout autre revêtement de sol synthétique, s'assurer que le revêtement peut supporter une chaleur d'au moins de 32,2 °C (90 °F) supérieure à la température ambiante sans rétrécissement, déformation ou sans se décolorer. Ne jamais installer la cuisinière sur un tapis à moins de placer un tapis isolant ou une feuille de contreplaqué de ¼ po (0,64 cm) d'épaisseur entre la cuisinière et le tapis.
- S'assurer que le revêtement des murs et du matériel du réduit recouvrant la cuisinière peuvent résister à la chaleur générée.
- Pour éliminer le risque de brûlures ou d'incendie, éviter de tendre les bras au-dessus des surfaces chauffantes et de l'espace de rangement du cabinet au-dessus de l'appareil. Si un espace de rangement est disponible, le risque peut être réduit en installant une hotte offrant une projection à l'horizontale d'un minimum de 12 700 cm (5 po) au-delà de la partie inférieure du réduit.
- Ne pas obstruer le passage de l'air à l'évent du four, autour de la base, ou sous la partie inférieure du panneau avant de l'appareil. L'appareil nécessite de l'air frais pour son bon fonctionnement.
- S'assurer de disposer d'un extincteur à mousse, visible, facilement accessible et situé à proximité de l'appareil.

NOTICES IMPORTANTES POUR L'ENTRETIEN ET LES RÉPARATIONS

- Ne pas réparer ou remplacer toute partie ou pièce de l'appareil sauf si les manuels vous y autorisent. Toute autre réparation doit être effectuée uniquement par un technicien qualifié. Cela réduit les risques de blessure et de dommages à l'appareil.
- Contacter toujours votre revendeur, distributeur, agent de service, ou le fabricant au sujet des problèmes ou des conditions que vous ne comprenez pas.
- Demander à votre détaillant de recommander un technicien qualifié et un service de réparation agréé. Savoir comment débrancher l'alimentation de l'appareil au niveau du disjoncteur ou de fusibles en cas d'urgence.
- Retirer la porte du four de toute cuisinière non utilisée pour l'entreposage ou l'élimination.
- Éviter de toucher l'ampoule chaude du four avec un chiffon humide. Cela peut briser l'ampoule. Manipuler les lampes halogènes (si équipé) avec des serviettes en papier ou des gants. Débrancher l'appareil ou couper l'alimentation avant de retirer ou remplacer l'ampoule.

NOTICE D'INSTALLATION — CUISINIÈRE ÉLECTRIQUE DE 102 CM (40 PO)

Dimensions du produit

⚠ AVERTISSEMENT Ne pas installer la cuisinière dans son réduit avant d'avoir lu les deux pages qui suivent

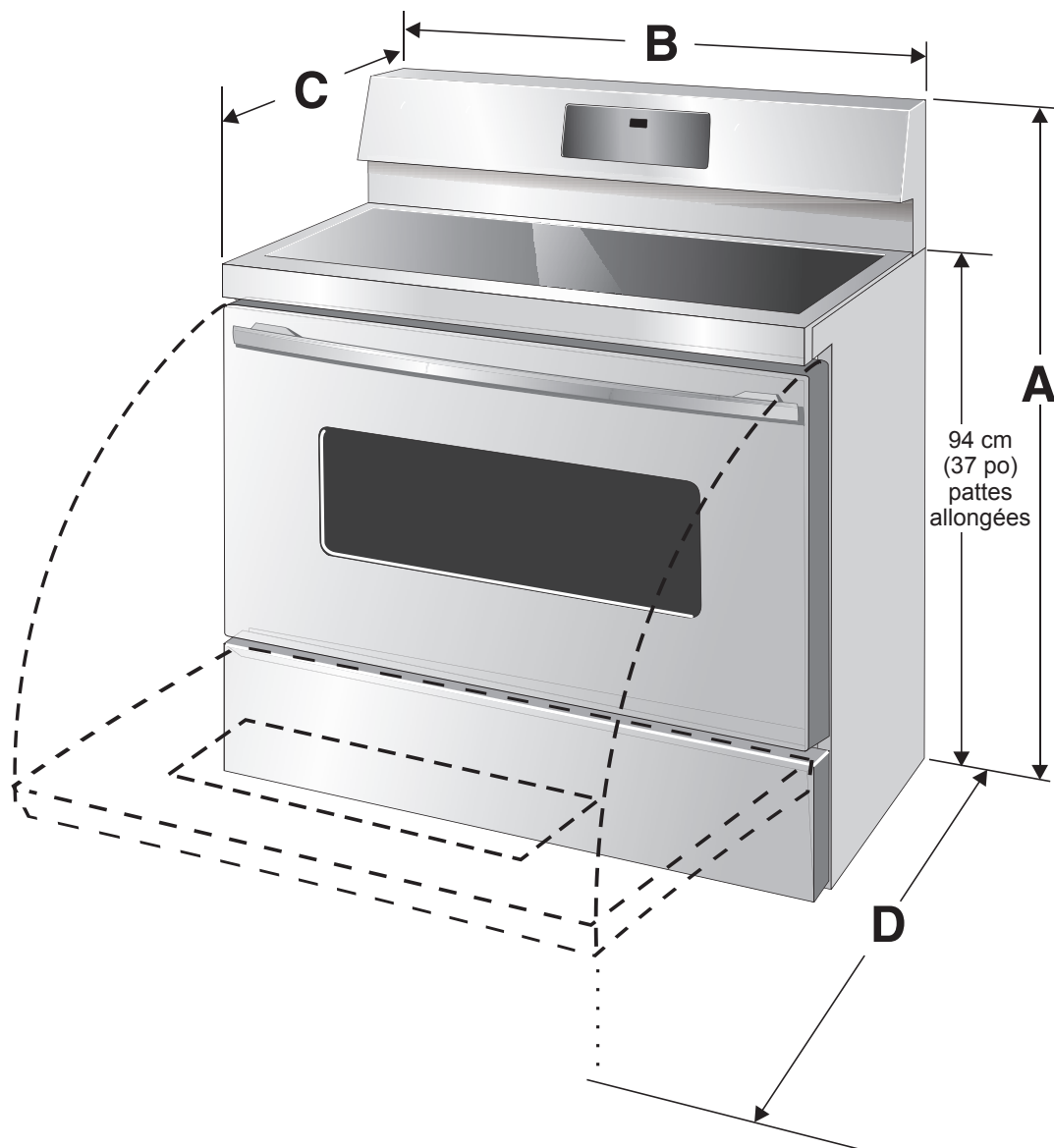


Figure 1 : Dimensions du produit

A. HAUTEUR	B. LARGEUR	C. FRONT EN PROFONDEUR DE LA CUISINIÈRE	D. PROFONDEUR AVEC PORTE OUVERTE
124,5 cm (49 po)	101,6 cm (40 po)	66,2 cm (26 1/16 po) 72,4 cm (28 1/2 po) max. avec poignée	121.3 cm (47 3/4 po)

Dimensions du réduit

Espace libre et dimensions

- Prévoir un espace suffisant entre l'appareil et les surfaces combustibles.
- Emplacement — vérifier l'emplacement où l'appareil électroménager sera installé. Vérifier l'alimentation électrique et la stabilité du plancher.
- Les dimensions indiquées doivent être utilisées. Les dimensions fournies pourvoient un espace libre minimal. La surface de contact doit être robuste et de niveau.

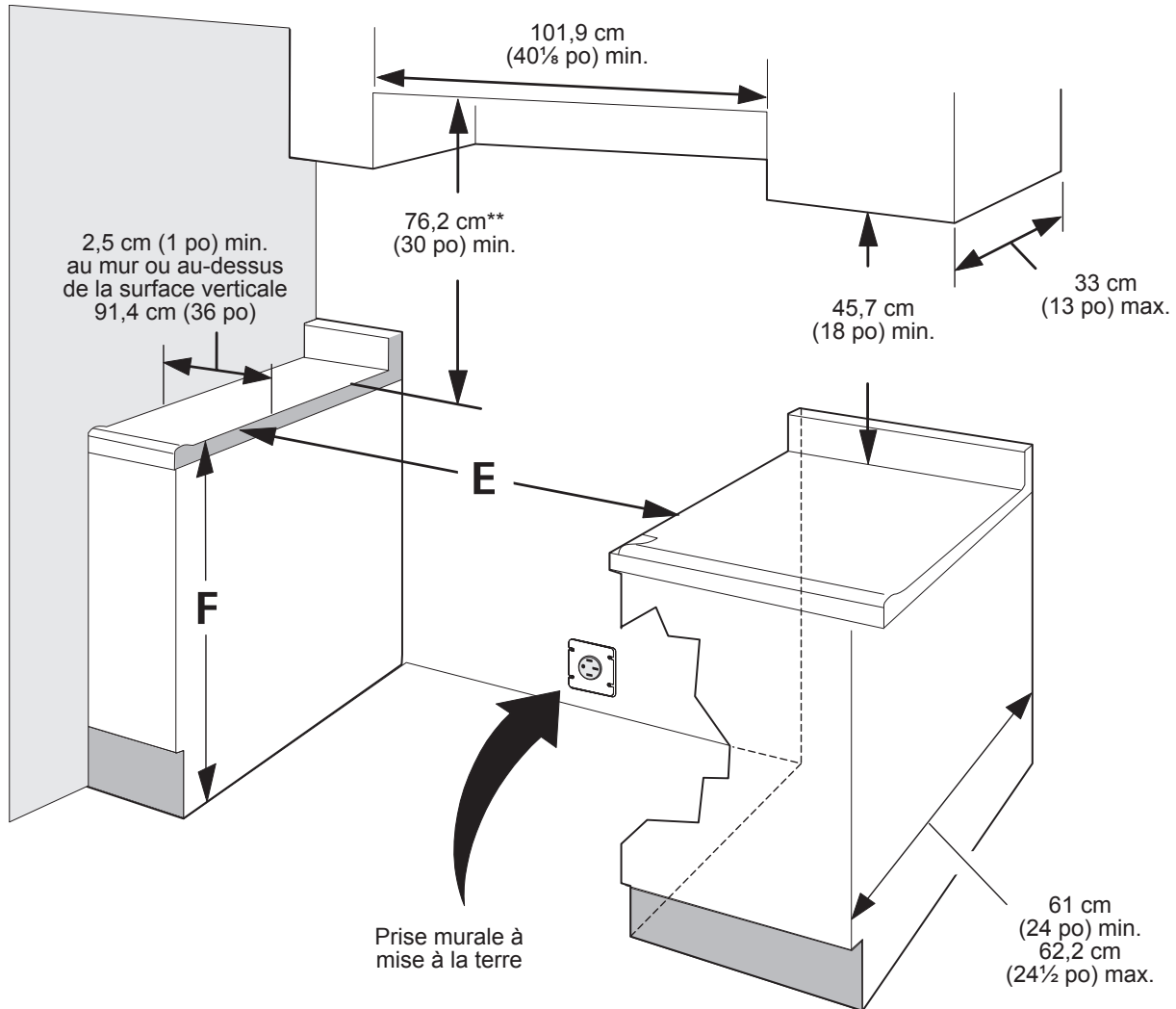


Figure 2 : Dimensions du réduit

E. LARGEUR MINIMALE DE DÉCOUPE	F. HAUTEUR DE COMPTOIR
102,2 cm (40 1/4 po)	91,4 cm (36 po) standard 91,1 cm (35 7/8 po) minimum

REMARQUES :

1. Ne pas appuyer la cuisinière sur les côtés du réduit.
2. Un espace libre minimal de 76,2 cm (30 po) si le réduit n'est pas protégé.
* * Un espace libre minimal de 61 cm (24 po) entre la surface de cuisson et le bas du réduit lorsque le bas de l'armoire en bois ou en métal est protégé par un carton à l'enrouleuse ignifuge d'une épaisseur minimale de 0,64 cm (1/4 po) et recouverte d'une tôle de calibre 28 MSG, en acier inoxydable d'une épaisseur minimale de 0,4 mm (0,015 po), en aluminium d'une épaisseur minimale de 0,6 mm (0,024 po) ou en cuivre d'une épaisseur minimale de 0,5 mm (0,020 po).
3. Aucun espace libre (0 mm) entre la cuisinière et le réduit ou les surfaces verticales situées en dessous de la table de cuisson.
4. Aucun espace libre (0 mm) entre la cuisinière et le réduit ou le mur arrière.

NOTICE D'INSTALLATION — CUISINIÈRE ÉLECTRIQUE DE 102 CM (40 PO)

1 Besoins en électricité

⚠ AVERTISSEMENT

Risque de secousse électrique — L'appareil électroménager nécessite une mise à la terre électrique. Utiliser uniquement le cordon d'alimentation fourni avec l'appareil. Une mauvaise connexion ou mise à la terre peut occasionner une secousse électrique, des dommages à l'appareil, des dommages corporels, un incendie voire la mort.

Besoins en mise à la terre

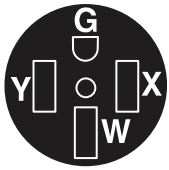
Cet appareil doit être installé et mis à la terre par un technicien autorisé et expérimenté.

Aux États-Unis—installation en conformité avec le National Fuel Gas Code ANSI Z223.1/NPFA № 54, dernière édition et le National Electrical Code NFPA № 70, dernière édition et les exigences du code local de l'électricité. Au Canada—installation en conformité avec les normes CAN/CGA B149.1, CAN/CGA B149.2 et CSA C22.1, Partie 1 du Code canadien de l'électricité (CCÉ), dernières éditions, et les exigences du code local de l'électricité.

Pour des raisons de sécurité, cet appareil doit être correctement mis à la terre. Pour une sécurité maximale, le cordon d'alimentation doit être branché dans une prise électrique de tension appropriée, être correctement polarisé et mise à la terre conformément aux normes locales.

Il est de la responsabilité personnelle du consommateur de pourvoir la prise murale appropriée proprement installée par un électricien qualifié.

Cet appareil électroménager doit être branché sur une prise murale standard de type 14-50R.

Prise murale électrique	
	Requise pour toutes les installations Prise murale à 4 fils (14-50 R)

Si l'appareil électroménager doit être branché sur une alimentation secteur monophasée de 240 V CA, 60 Hz, à 4 fils, il nécessite deux fusibles de protection intégrale de 40 A minimum sur les deux côtés du secteur.

Nous conseillons l'utilisation d'un fusible temporisé ou d'un disjoncteur.

S'assurer que la prise murale est à la portée de l'emplacement d'installation final de l'appareil.

Éviter de pincer le cordon d'alimentation entre la cuisinière et le mur.

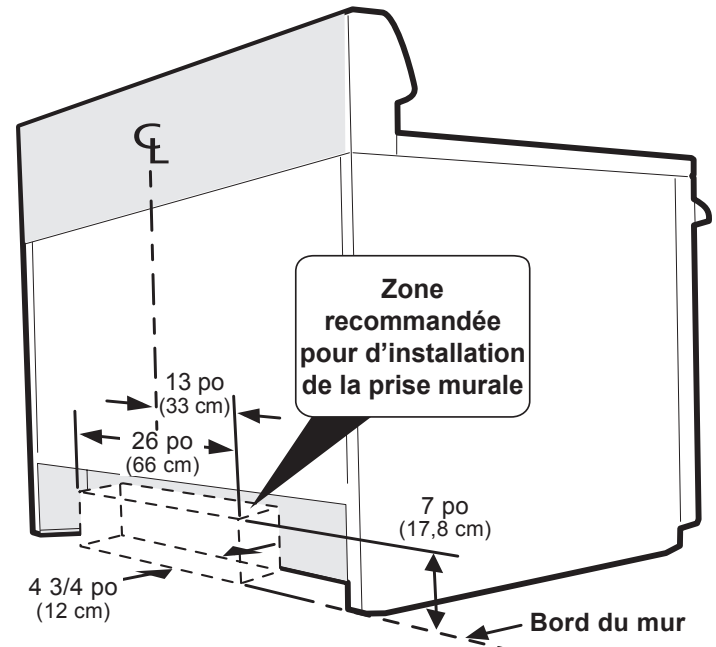


Figure 3 : Zone recommandée pour d'installation de la prise murale

NOTICE D'INSTALLATION — CUISINIÈRE ÉLECTRIQUE DE 102 CM (40 PO)

2 Cordon d'alimentation

⚠ AVERTISSEMENT

Risque de secousse électrique – Ne jamais tenter de brancher l'appareil directement à une boîte de jonction, de modifier le cordon installé en usine ou de connecter un autre cordon d'alimentation à l'appareil. Si la prise de courant n'est pas suffisante pour accueillir les exigences de l'appareil, le consommateur est responsable de pourvoir une prise murale appropriée, installée par un électricien. Une mauvaise installation ou des connexions électriques inadéquates peuvent occasionner une secousse électrique, des dommages à l'appareil, des dommages corporels, un incendie voire la mort.

L'appareil est muni d'un cordon d'alimentation à 4 conducteurs installé à l'usine (Figure 4). Le cordon est d'une puissance nominale de 240 V, 40 A et de température nominale de 90 °C (194 °F). Il est homologué UL/CSA et a été mis à l'essai et approuvé pour utilisation avec l'appareil électroménager.

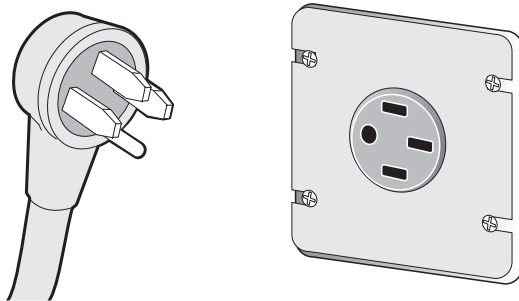
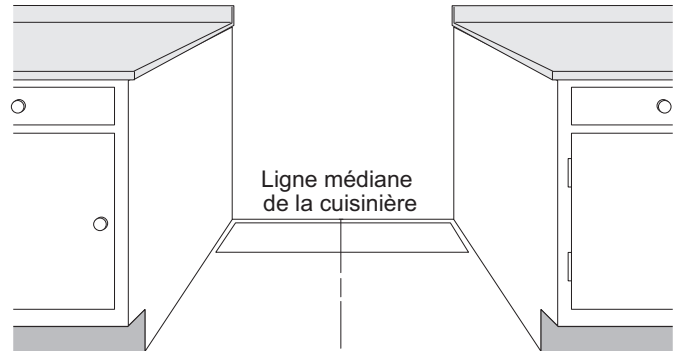


Figure 4 : Cordon d'alimentation installé à l'usine

Caractéristiques techniques de l'appareil électroménager*		Tension d'alimentation	
120 ou 240 Volts	120 ou 208 Volts	Ampères	Température nominale
8,8 à 16,5 kW	7,8 à 12,5 kW	40 ou 50	90 °C (194 °F)
16,6 à 22,5 kW	12,6 à 18,5 kW	50	90 °C (194 °F)
* La charge calculée selon le NEC américain est inférieure à la charge totale connectée inscrite sur la plaque signalétique.			

3 Construction du réduit

⚠ ATTENTION Pour éliminer le risque de brûlures ou d'incendie, éviter de tendre les bras au-dessus des surfaces chauffantes et de l'espace de rangement du réduit au-dessus de l'appareil. Si un espace de rangement est disponible, le risque peut être réduit en installant une hotte offrant une projection à l'horizontale d'un minimum de 12,7 cm (5 po) au-delà de la partie inférieure du réduit



Suivre les notices d'installation appropriées à votre cuisinière

Figure 5 : Construction du réduit

3.1 Installation : Réduit de part et d'autre

1. Si la cuisinière est installée avec un réduit de part et d'autre, tracer une ligne médiane sur le plancher entre les réduits (Figure 5).
2. Si l'arrière de la cuisinière n'est pas au même niveau que le mur (l'emplacement de la prise murale peut empêcher l'appui contre le mur), tracer une ligne sur le sol indiquant l'arête arrière de la cuisinière.
3. Installer le support anti basculement (voir « Installation du support anti basculement »).

3.2 Installation : Réduit d'un seul côté

1. Si la cuisinière est installée avec un réduit d'un seul côté, la déplacer en position finale.
2. Tracer une ligne sur le sol le long du côté qui n'est pas contre le réduit. Si l'arrière de la cuisinière n'est pas au même niveau que le mur (l'emplacement de la prise murale peut empêcher l'appui contre le mur), tracer une ligne sur le sol indiquant l'arête arrière de la cuisinière.
3. Installer le support anti basculement (voir « Installation du support anti basculement »).

3.3 Installation : Sans réduit

1. Si la cuisinière est installée sans réduit, la déplacer en position finale.
2. Tracer une ligne sur le sol le long des deux côtés. Si l'arrière de la cuisinière n'est pas au même niveau que le mur (l'emplacement de la prise murale peut empêcher l'appui contre le mur), tracer une ligne sur le sol indiquant l'arête arrière de la cuisinière.
3. Installer le support anti basculement (voir « Installation du support anti basculement »).

4 Mise à niveau de la cuisinière

Mettre la cuisinière à niveau et définir la hauteur de la table de cuisson avant de l'installer dans la découpe (le cas échéant).

1. Installer une grille au centre du four.
2. Placez un niveau sur la grille (Figure 6). Prendre 2 relevés en plaçant le niveau en diagonale dans un sens puis dans l'autre.

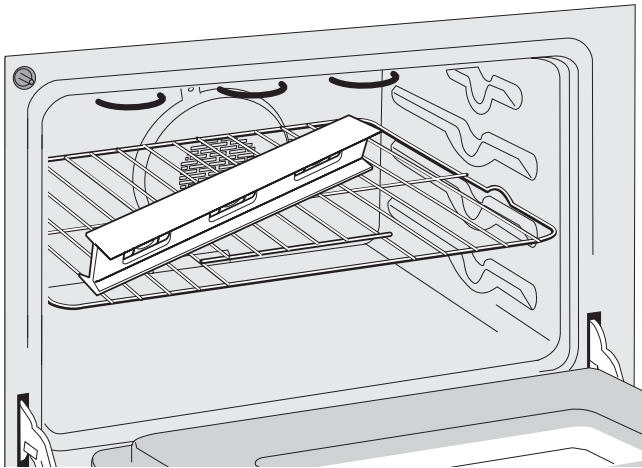


Figure 6 : Mise à niveau de la cuisinière

3. Mettre la cuisinière à niveau en ajustant les 4 pattes réglables avec une clé (Figure 7).

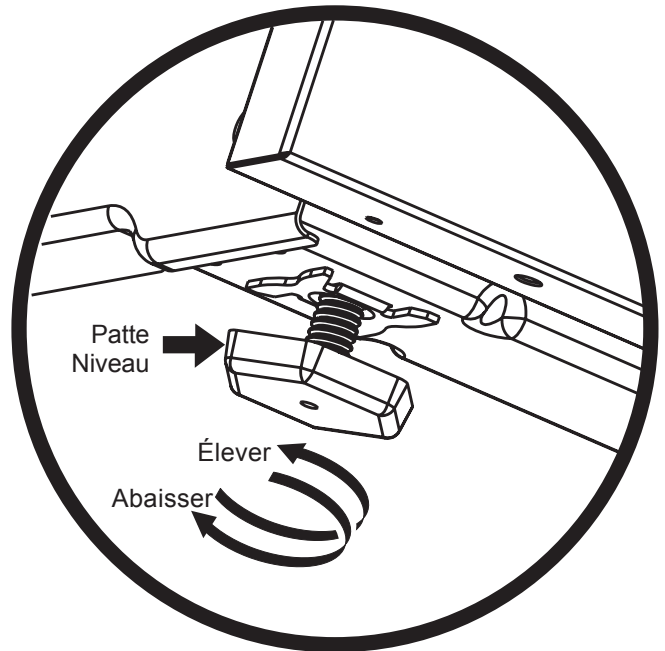


Figure 7 : Réglage de la hauteur de l'appareil électroménager

4. Faire glisser la cuisinière dans l'ouverture découpée et vérifier deux fois la mise à niveau. Si la cuisinière n'est pas de niveau, la retirer et réajuster les pattes de mise à niveau; s'assurer que le plancher est de niveau.

5 Installation des supports anti basculement

⚠ AVERTISSEMENT Pour réduire le risque de renversement, l'appareil doit être fixé au sol à l'aide du support anti basculement correctement installé avec les vis fournies. Ces pièces sont situées dans le four. Le fait de ne pas installer le support anti basculement permettra à la cuisinière de basculer si un poids excessif est placé sur une porte ouverte ou si un enfant monte dessus. Des déversements de liquides chauds ou de la cuisinière elle-même peuvent causer des lésions corporelles graves.

Si la cuisinière est déplacée vers un autre emplacement, le support anti basculement doit également être déplacé et installé.

Outils :

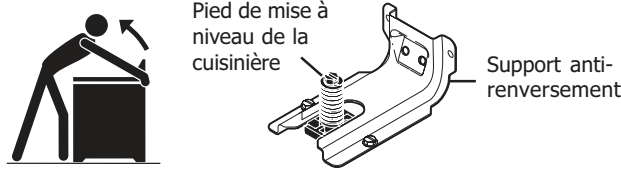
- Clé réglable
- Cliquets
- Perceuse avec forêt de 1/8 po (0,32 cm)
- Tournevis à douille de 5/16 po (0,8 cm)
- Niveau



⚠ AVERTISSEMENT
Risque de basculement

- Un enfant ou un adulte peut faire basculer la cuisinière et en décéder.
- Vérifiez que le dispositif anti-renversement a été fixé au plancher ou au mur.

- Assurez-vous d'enclencher le dispositif anti-renversement lorsque la cuisinière est déplacée sur le plancher ou contre le mur.
- Ne faites pas fonctionner la cuisinière si le dispositif anti-renversement n'est pas en place et enclenché.
- Le non-respect de ces instructions peut causer des blessures fatales ou de graves brûlures aux enfants et aux adultes.



Pied de mise à niveau de la cuisinière

Support anti-renversement

Pour vérifier si le support anti-renversement est correctement installé, attrapez le bord arrière de la cuisinière à deux mains, et essayez doucement de faire basculer la cuisinière vers l'avant. Lorsque le support est correctement installé, la cuisinière ne doit pas basculer vers l'avant.

Reportez-vous aux instructions d'installation du support anti-renversement fournies avec la cuisinière pour vous assurer que l'installation est effectuée de façon appropriée.

5.1 Placer le support à l'aide du modèle

Il peut être situé sur le côté gauche ou droit de la cuisinière. Marquer le sol ou le mur où la gauche ou la droite de la cuisinière sera située.

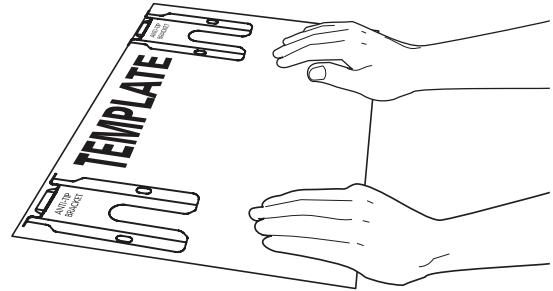


Figure 8 : Gabarit du support

Si l'arrière de la cuisinière s'appuie contre le mur ou pas plus de 1-1/4 po du mur une fois installés, vous pouvez utiliser la méthode de montage au mur ou au sol. Si une moulure installée n'autorise pas l'installation du support contre le mur, enlever la moulure ou fixer le support au sol.

Pour un montage mural, localiser le support en plaçant le bord arrière du gabarit contre le mur arrière et le bord latéral du modèle sur le repère de référence au côté de la cuisinière. Placer le support sur le modèle et marquer l'emplacement des trous de vis dans le mur.

Si l'arrière de la cuisinière est éloigné de plus de 1-1/4 po du mur une fois installé, fixer le support au sol. Pour le montage au sol, localiser le support en plaçant le bord arrière du modèle où l'arrière de la cuisinière sera situé.

Repérer l'emplacement des trous de vis indiqués sur le modèle.

5.2 Percer les trous et fixer le support

Percer un avant-trou de 0,318 cm (1/8 po) à l'endroit où les vis seront situées.

Si le support est monté au mur, percer des trous en angle descendant d'environ 20 °. Si le support est monté à la maçonnerie ou sur un plancher en céramique, percer un avant-trou de 4,8 mm (3/16 po) de 1-3/4 po de profondeur.

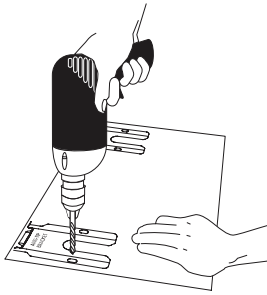


Figure 9 : Percer des avant-trous

Les vis fournies peuvent être utilisées dans le bois ou le béton. Utiliser un tournevis à douille de 5/16 po (0,8 cm) ou un tournevis à tête plate pour fixer le support en place.

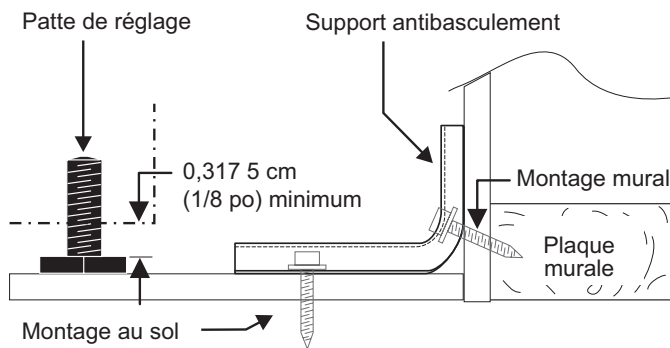


Figure 10 : Montage du support

5.3 Vérifier le niveau et l'emplacement de la cuisinière

Vérifier le niveau de l'installation finale. Remarque : Un jeu minimum de 40 mm (1/8 po) est requis entre le bas de la cuisinière et la patte de mise à niveau pour laisser de la place pour le support. Vérifier vos réglages à l'aide d'un niveau.

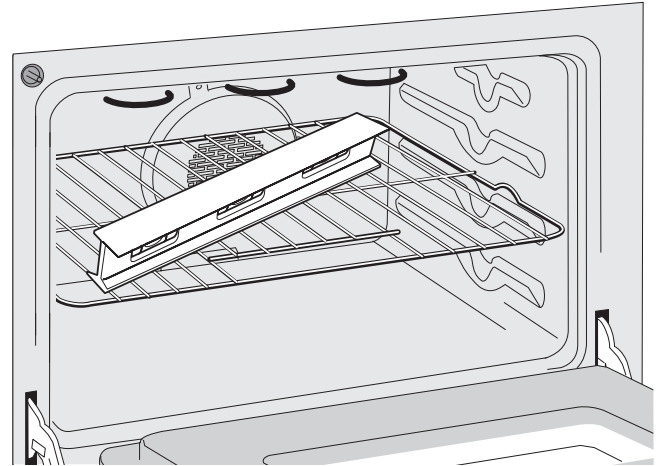


Figure 11 : Mise à niveau de la cuisinière

Glisser la cuisinière en position.

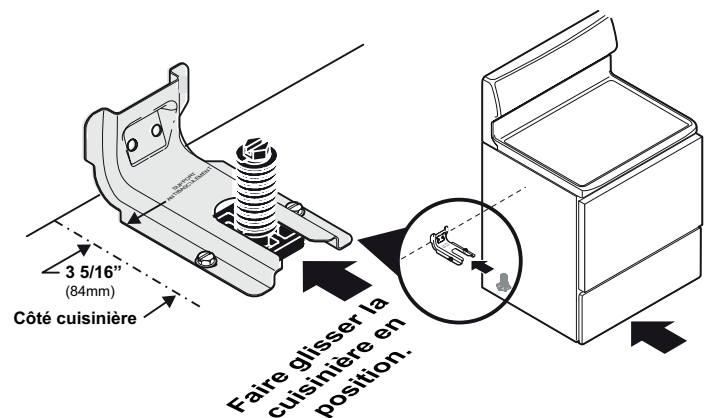


Figure 11 : Faire glisser l'appareil ménager dans le support

Pour vérifier si le support est installé correctement, saisir le bord arrière de la cuisinière avec les deux bras. Tenter de basculer la cuisinière vers l'avant avec précaution. Si elle est correctement installée, la cuisinière ne doit pas s'incliner vers l'avant.

Si la cuisinière est déplacée dans un autre endroit, le support anti basculement doit également être déplacé et installé.

6 Vérifier le fonctionnement

Voir le Guide d'utilisation et d'entretien fourni avec la cuisinière pour le mode d'emploi et pour l'entretien et le nettoyage de votre cuisinière.

⚠ ATTENTION Ne pas toucher aux éléments. Ils peuvent être suffisamment chauds pour causer des brûlures.

Retirer tout l'emballage du four avant d'en faire l'essai.

6.1 Fonctionnement des éléments de surface

Allumer chacun des quatre éléments de surface et de confirmer qu'ils chauffent. Le cas échéant, vérifier les témoins des éléments de surface.

6.2 Fonctionnement des éléments du four

Le four est équipé d'une commande électronique. Chaque fonction a été vérifiée en usine avant expédition. Cependant, il est suggéré de vérifier le bon fonctionnement des commandes du four une dernière fois. Consulter le guide du propriétaire. Suivre les instructions pour l'horloge, le minuteur, cuire, griller, cuisson à convection (certains modèles) et autonettoyage (certains modèles).

Cuisson au four –Après avoir réglé le four à 350 °F (177 °C) pour la cuisson, le fond de la cavité du four doit commencer à chauffer.

Griller au four –Lorsque le four est réglé à BROIL (GRILLER), l'élément supérieur du four doit devenir rouge.

Autonettoyage –Lorsque le four est réglé pour un cycle d'autonettoyage, l'élément supérieur doit devenir rouge durant la partie de préchauffage du cycle. Après avoir atteint la température d'autonettoyage, le fond de la cavité du four doit devenir chaud.

Convection –Lorsque le four est réglé sur CONV. BAKE/ROAST (CONV. CUISSON OU GRILLER) à 350 °F (177 °C), les deux éléments s'allument et s'éteignent en alternance et le ventilateur de convection est en marche. Le ventilateur de convection s'arrête quand la porte du four est ouverte pendant la cuisson par convection ou le grillage.

Lorsque tous les branchements sont complets

S'assurer que tous les contrôles sont laissés sur la position OFF (ARRÊT).

Emplacement du numéro de modèle et de série

La plaque signalétique se trouve sur le haut du panneau inférieur avant de la cuisinière; on le voit clairement lorsque la porte est ouverte. Pour commander des pièces de rechange ou pour répondre à vos questions au sujet de votre cuisinière, garder les numéros de modèle et de série en main. (Figure 13).



Figure 13 : Emplacement du numéro de modèle et de série

Avant de faire un appel de service

Lire le mode d'emploi et la liste de vérification pour éviter les appels de service dans votre Guide du propriétaire. Cela peut vous faire économiser temps et argent. La liste comprend des occurrences qui ne sont pas le résultat d'un vice de fabrication ou de matériau de l'appareil.

Se reporter aux notices sur la garantie et le service de votre Guide du propriétaire pour trouver notre numéro de téléphone et adresse. Téléphoner ou écrire si vous avez des questions au sujet des produits de la cuisinière ou avez à commander des pièces.

NOTES