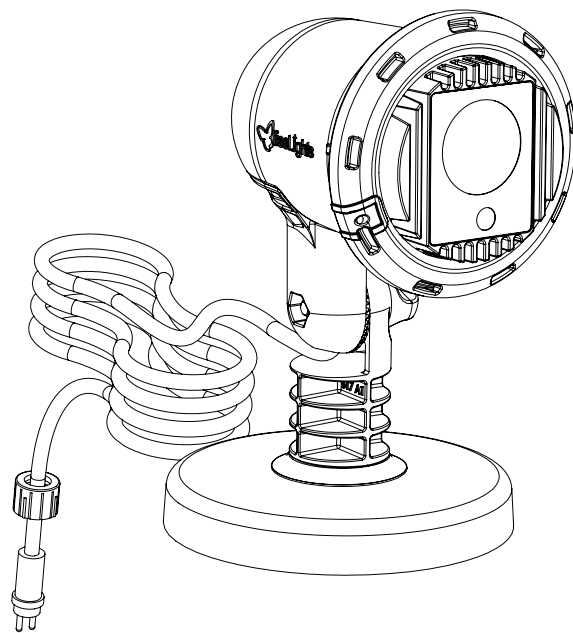


BlissLights

COLOR



User's Guide

Manufactured by: BlissLights
Phone: 1-888-868-4603

www.blisslights.com
support@blisslights.com



Please ONLY use
manufacturer provided
power supply

TABLE OF CONTENTS

Notice	1
Introduction	2
Before You Begin.....	2
Parts List.....	2
Setting up the Laser Projector	3
Operating the Laser Projector	3
Operating the Timer	3
Operating the Remote Control.....	4
Remote Control Functions	4
Precautionary Tips for the Remote Control.....	5
Precautionary Tips for Battery Installation	5
Battery Disposal	5
Installation Tips	5
Product Specifications.....	6
Troubleshooting	7
Limited Warranty	8
Owner Registration Card	8

NOTICE

CAUTION—Use of controls or adjustments or performance of procedures other than those specified herein may result in hazardous radiation exposure.

This laser product is certified as a CLASS 3R laser product, and adheres to the requirements of the US Federal Laser Product Performance Standard (FLPPS) contained in the regulations in 21 CFR Subchapter J.

Avoid direct eye contact of CLASS 3R laser energy as it can be hazardous. For reference, the FLPPS requirements for demonstration laser products, like laser pointers, are limited to CLASS 3R levels of laser energy. This product uses diffractive optics to scatter the beam energy. This scattering effect causes the energy concentration to drop below the exposure limits for momentary or accidental viewing at a relatively short distance from the laser aperture. As with all bright light-sources, when you operate this device in unsupervised general public areas, it is recommended that up-close access to the light be restricted or prevented.

This laser display device incorporates a CLASS 3B laser system which, by itself, may be hazardous. However, this laser display device incorporates a protective housing and diffractive holographic optics in the machine design so that there is no exposure or human access to laser radiation during operation or maintenance above the CLASS 3R limits. Each individual laser beamlet's power is under 5 mW, which is less than a standard laser pointer.

UNDER NO CIRCUMSTANCES shall attempts be made to open the protective housing or operate the device if the aperture window is damaged.

All service to this laser display device requiring the protective housing to be opened and/ or removed shall be performed by service personnel or their authorized agents. Opening the protective housing voids the warranty.

NO LASERS SHOULD BE POINTED INTO THE SKY WITHIN 10 NAUTICAL MILES(18.5 km) OF AN AIRPORT. IF YOU ARE LOCATED WITHIN THIS SPECIFIC PERIMETER, WE RECOMMEND THE LASERS BE POINTED DOWN AT THE GROUND SO NO STRAY BEAMS ARE PROJECTED INTO THE AIR. CHECK WITH YOUR LOCAL AIRPORT OR PROVINCIAL GUIDELINES FOR FURTHER INFORMATION.

INTRODUCTION

Thank you for purchasing the BlissLights laser projector. This laser projector is a unique indoor/outdoor light fixture that uses a mixture of LED lighting with a new laser and holographic technology to project thousands of pin-points of light. See the “fireflies” dance in your garden, create a fun and mesmerizing ambience indoors, or add some extra allure to your holiday display. We hope you enjoy this incredibly unique lighting experience.

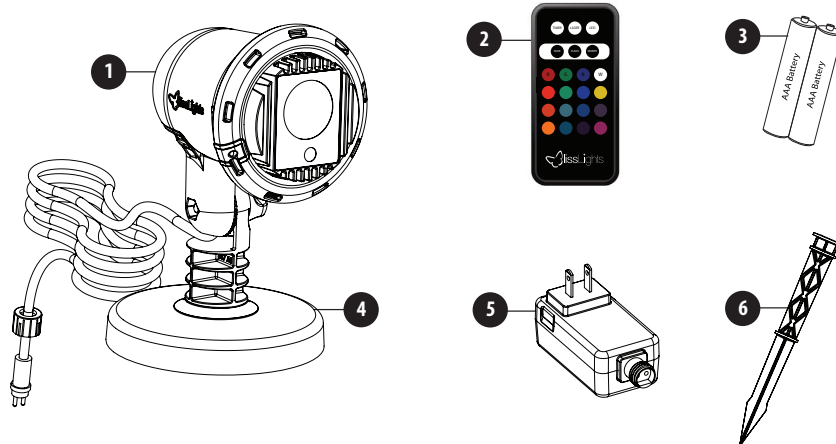
Within each unit, the patented laser technology provides up to 50 x 50’ (15.2 x 15.2m) of coverage and the LED light provides up to 15 x 15’ (4.6 x 4.6m) of coverage. It has maximum electrical usage of 5-8 W for the laser and 10W for the LED. The fixture housing is weather resistant ABS resin for year-round indoor or outdoor operation.

BEFORE YOU BEGIN

Immediately upon receiving the fixture, carefully unpack and check the carton contents to ensure that all parts are present and in good condition. Notify the shipper immediately and retain packing material for inspection if any parts appear damaged from shipping or the carton itself shows signs of mishandling. Save the carton and all packing materials. In the event that the fixture must be returned to the factory, it is important that the fixture be returned in the original factory box. Please see parts list below for box contents.

PARTS LIST:

- 1) 1 x BlissLights Laser Fixture
- 2) 1 x Remote Control
- 3) 2 x AAA Batteries (for use with Remote Control)
- 4) 1 x Stand
- 5) 1 x Power Supply
- 6) 1 x Ground Stake



SETTING UP THE LASER PROJECTOR

Before operating your laser projector, please read the "Before you Begin" and "Notice" sections of this user guide.

1. Connect the light fixture to the provided power supply and screw on the attached water seal cap to the top of the power supply.
2. Connect the power supply into an available standard electrical outlet.
3. Attach the stake or stand to the fixture head by twisting the fixture clockwise. Remove the stake or stand by twisting the fixture counter-clockwise.
4. If using the stake, stake it into the desired location by holding the top of the stake and gently pushing the stake into the ground. Do not push the fixture into the ground by pushing down on the lamp head.
5. Adjust the angle of the projected light by turning the thumbscrew attached to the side of the fixture.
6. Use the included remote control to change the settings of the light output (pg 4).
7. To turn off the light, use the provided remote or remove the power plug from the electrical outlet.

OPERATING THE LASER PROJECTOR

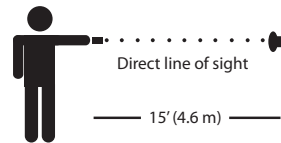
Once the laser projector is plugged in, it will enter the default mode with both the laser and the LED on and the automatic timer set to 6-hour on and 18-hour off mode. Use the included remote control to change these settings.

OPERATING THE TIMER

This light has a built-in timer that is designed to automatically shut off after 6 hours of operation. It will go into sleep mode for 18 hours and repeat the same operation thereafter. The timer will turn on once the light is plugged in. To disable the timer, press the timer button on the remote. The laser will blink twice to signal that the timer is off and that the laser will remain on. To turn the timer back on at the desired time, press the timer button again. The laser will then blink three times to signal that the timer is on.

OPERATING THE REMOTE CONTROL

Use the included infrared remote control to operate the light's features. Infrared signal does not go through solid objects, such as windows, walls, trees, shrubs, etc. Make sure there is a clear line of sight between you and the fixture. Point the remote control at the FACE of the light fixture, where the receiver is located. The remote operates up to 15' (4.6 m) of unobstructed distance away from the face of the fixture.



REMOTE CONTROL FUNCTIONS

- **Timer:** Press to turn the internal 6/18 timer on or off. It will blink twice to signal that the timer is off and blink three times to signal that it is back on.
- **Laser:** Press to turn the laser light on or off.
- **LED:** Press to turn the LED light on or off.
- **Fade:** This mode fades the LED through an individual color of your choosing. Simply choose the desired LED color and press Fade. To deactivate this mode, press the Fade button again. The LED will now be on a solid color with no effect.
- **Flash:** This mode flashes the LED through the each of the 16 LED light colors. To deactivate this mode, press the Flash button again. The LED will now be on a solid color with no effect.
- **Morph:** This mode softly morphs the LED through each of the 16 LED colors. To deactivate this mode, press the Morph button again. The LED will now be on a solid color with no effect.
- **16-Color LED Selection:** Press through the colors to match the LED color you desire.



Remote FCC Compliance:

This device complies with Part 15 of FCC Rules. Operation is subject to the following two conditions: 1. this device may not cause harmful interference, and 2. this device must accept any interference received, including interference that may cause undesired operation.

PRECAUTIONARY TIPS FOR THE REMOTE CONTROL

- The remote control should be kept dry and away from heat sources. Avoid humidity. If the device responds erratically to the remote control, or doesn't respond at all, check the battery.
- Do not subject the remote control to undue physical stress, such as striking or dropping it.
- Do not attempt to clean the remote control with a volatile solvent. Wipe it with a clean, damp, soft cloth when cleaning.

PRECAUTIONARY TIPS FOR BATTERY INSTALLATION

- Do not ingest the batteries.
- Non-rechargeable batteries are not to be recharged.
- Batteries are to be inserted with the correct polarity.
- Exhausted batteries are to be removed from the product.
- Do not mix old and new batteries. Install only new batteries of the same type.
- Do not mix Alkaline, standard (carbon zinc), or rechargeable (NiCad, NiMH, etc) batteries.
- Only use AAA batteries.
- Failure to insert batteries in the correct polarity, as indicated in the battery compartment, may shorten the life of the batteries or cause batteries to leak.
- Do not take the batteries apart, heat them, or throw them into a fire.
- Keep the batteries away from children and pets.
- When not using the remote control for a long period of time, remove and store batteries in a cool, dry place at room temperature.

BATTERY DISPOSAL

Please, always dispose of batteries at a suitable recycling point.

Note: Batteries should be recycled or disposed of as per state/provincial and local guidelines.

INSTALLATION TIPS

- **Do not connect the light to a dimmer pack, as a dimmer accessory may damage the laser component.**
- Use only the manufacturer-provided UL/CUL power supply.
- **Limit the use of extension cords.** If you need an extension cord, use only UL, CUL, or CSA approved 3rd party extension cords. When using outdoors, **ONLY** use extension cords that are weather resistant, such as waterproof cords.
- The darker the display area, the brighter your projection will appear. Try to avoid display areas with strong ambient light sources, such as commercial street lights or bright security flood lights.
- If you choose to mount the BlissLights for downlighting (e.g. from balcony railing, fence line, roof line, etc.), it is recommended that, for safety purposes, your lights are properly mounted using a suitable hanging clamp and safety cable.

PRODUCT SPECIFICATIONS

Dimensions	330 x 127 x 102 mm 13 x 5 x 4" Cord length: 6 m / 20'
Housing	ABS
Laser Classification	Class 3R
Laser Wavelength	Red—650 nm, Green—515 nm, Blue—445 nm, Purple—405 nm
LED	10 W, with 16-color selection
Maintenance	Maintenance free
Power Consumption	5-8 W (Laser) 10W (LED)
Power Supply Input	110 V AC (with provided UL/CUL power supply)
Light Input	12 VDC
Operating Temperature	-22°F to 85°F (-30°C to 29°C)
Operation	Indoor/outdoor
Projection Coverage	Up to 50 x 50' for laser, up to 15 x 15' for LED
Remote Control Functions	Timer on/off, laser on/off, LED on/off, fade, flash, morph, and individual 16-color LED selection
Timer	6/18 timer (on for 6 hours/off for 18 hours)
Warranty	One-year warranty

TROUBLESHOOTING

How to avoid IR interference:

If the laser or LED start and stop randomly, there is a wireless signal interference (i.e. radio control toys, remote controls for TV or entertainment systems, automatic vacuums, etc.). To verify if this is the case, please try covering the window at the bottom of the front lens with your finger to block stray infrared signals from entering the fixture. If this corrects the problem, please check the other electronic products running in the room to determine where the stray signals are coming from.





LIMITED WARRANTY

This limited warranty is provided by BlissLights LLC, San Marcos, California, U.S.A 92069 ("BlissLights"). BlissLights warrants that BlissLights' lighting products (the "Product"), when delivered in new condition and in its original packaging, will be free of defects in material and workmanship for a period of ONE (1) YEAR from the date of original purchase. The determination of whether the Product is defective shall be made by BlissLights in its sole discretion with the consideration given to the overall performance of the Product.

This limited warranty is applicable only to Products purchased from www.blisslights.com, Products purchased through a phone order placed directly to BlissLights and Products purchased from an authorized BlissLights distributor or retailer. THIS LIMITED WARRANTY IS VOID IF THE PRODUCT IS PURCHASED FROM ANY PERSON OR ENTITY OTHER THAN BLISSLIGHTS OR AN AUTHORIZED BLISSLIGHTS DISTRIBUTOR OR RETAILER.

BlissLights obligations under this limited warranty are subject to the following:

This limited warranty does not cover Products that have been altered, modified, or damaged.
This limited warranty does not cover loss or damage due to normal wear, rust, abuse, improper maintenance, improper installation, improper storage and/or improper use.
This limited warranty shall not apply to the finish on any portion of the Product, such as surface and/or weathering, as this is considered normal wear.
This limited warranty shall not apply to a failure of the Product resulting from an accident, misuse, abuse and/or negligence or any failure not relating to defects in material or workmanship.
This limited warranty extends to the original purchaser only and is not transferable or assignable to subsequent purchasers.

In order to make a warranty claim, you must notify BlissLights in writing within sixty (60) days after your discovery of the defect, provide proof of purchase and comply with BlissLights' other warranty requirements. Upon receiving that notice, BlissLights may require you to promptly return the Product to BlissLights. Your warranty claim should be addressed to BlissLights LLC, 1224 Exposition Way, Suite #130, San Diego, Ca 92154.

THE FOREGOING WARRANTY PROVISIONS ARE EXCLUSIVE AND ARE GIVEN AND ACCEPTED IN LIEU OF ANY AND ALL OTHER WARRANTIES, WHETHER EXPRESS OR IMPLIED, INCLUDING WITHOUT LIMITATION ANY WARRANTY AGAINST INFRINGEMENT AND ANY IMPLIED WARRANTIES OF MERCHANTABILITY OR FITNESS FOR A PARTICULAR PURPOSE.

IN NO EVENT SHALL BLISSLIGHTS BE LIABLE FOR INCIDENTAL, COMPENSATORY, CONSEQUENTIAL, INDIRECT, SPECIAL OR OTHER DAMAGES. BLISSLIGHTS' AGGREGATE LIABILITY WITH RESPECT TO A DEFECTIVE PRODUCT SHALL IN ANY EVENT BE LIMITED TO THE PURCHASE PRICE OF THE DEFECTIVE PRODUCT.

Please contact BlissLights at support@blisslights.com, or 1-888-868-4603.

Owner Registration Card

Please fill out, cut along dashed line, affix proper postage and return this Owner Registration Card to insure that your new BlissLights is covered by the limited warranty. You can also register your product online by going to www.blisslights.com. Registering your product will help expedite your warranty related requests, but is not required.

Mailing Address: BlissLights, 100 E San Marcos Blvd, San Marcos, CA 92069

Purchaser's Name: _____

Address: _____

City / State / Province: _____ Zip: _____

Email: _____

BlissLights Product: _____ Purchase Date: _____

Where Purchased (Store Name) _____

Where will the BlissLights be used: _____

If commercial institution, what type of business?
 Restaurant Bar Store Office Other: _____

If home installation, where?
 Walkway Patio Garden Area Porch Other: _____

Model/UPC Number: _____