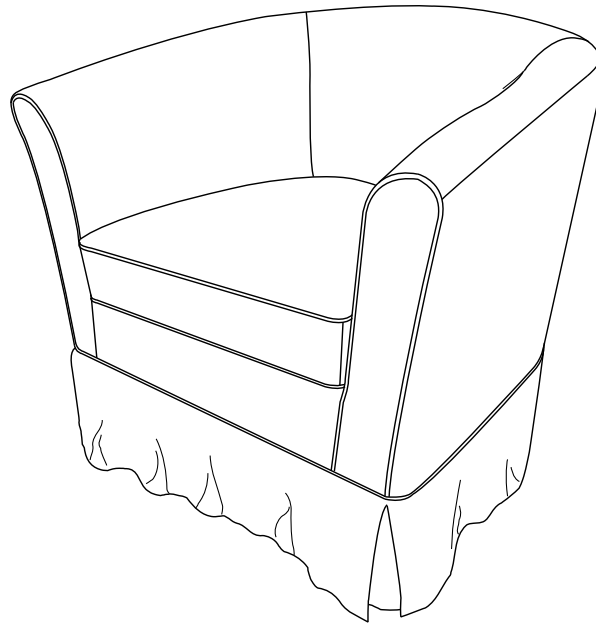


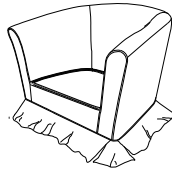

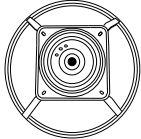
# Assembly Instructions

**Caution : You must read this before you proceed**


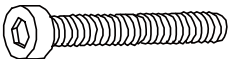
## Swivel Club Chair

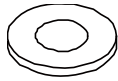


### Parts List

Label	Picture	Description	QTY
A		Chair	1
B		Seat Cushion	1
C		Swivel	1

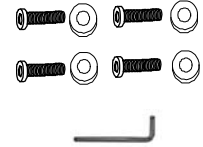
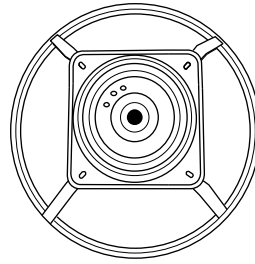
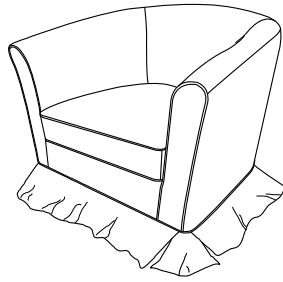
### Hardware

Label	Picture	Description	QTY
①		Allen Key	1
②		Bolt (M8X60mm)	5

③		Washer	7
---	---	--------	---

## Assembly Preparation

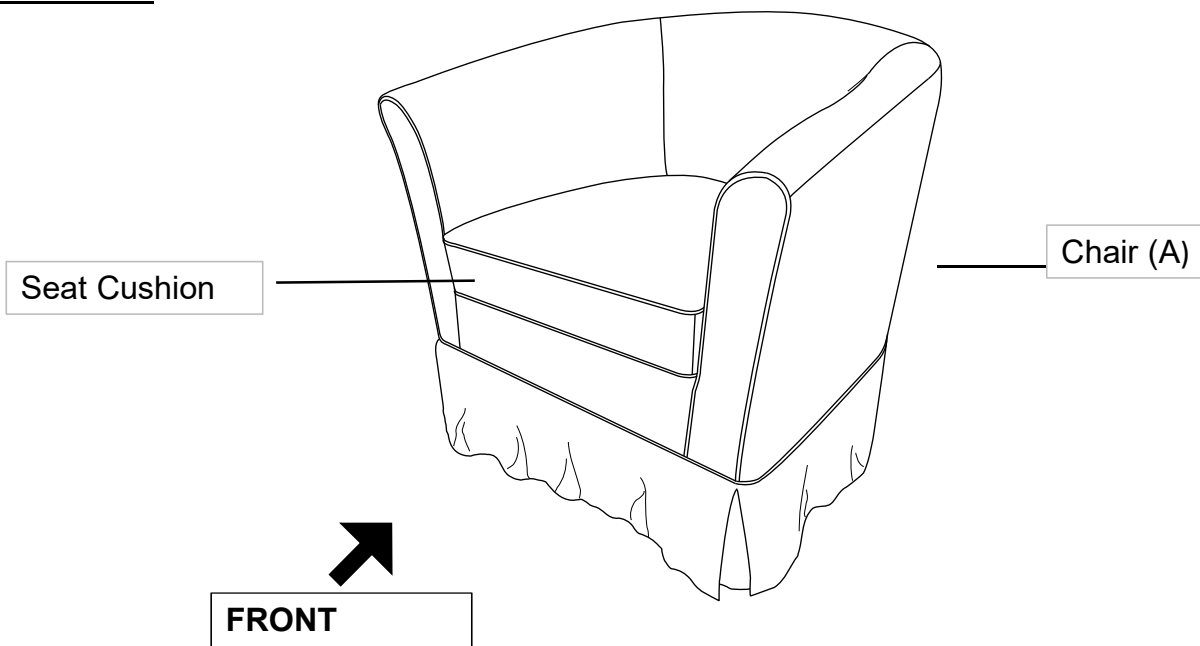
Before Beginning Assembly:



- Read instructions, cover to cover-
- Have 2 adults on hand for assembly-
- Do not assemble on flooring or carpet-
- Assemble on a clean non-marring surface (packing foam)-
- Save all packaging until finished-

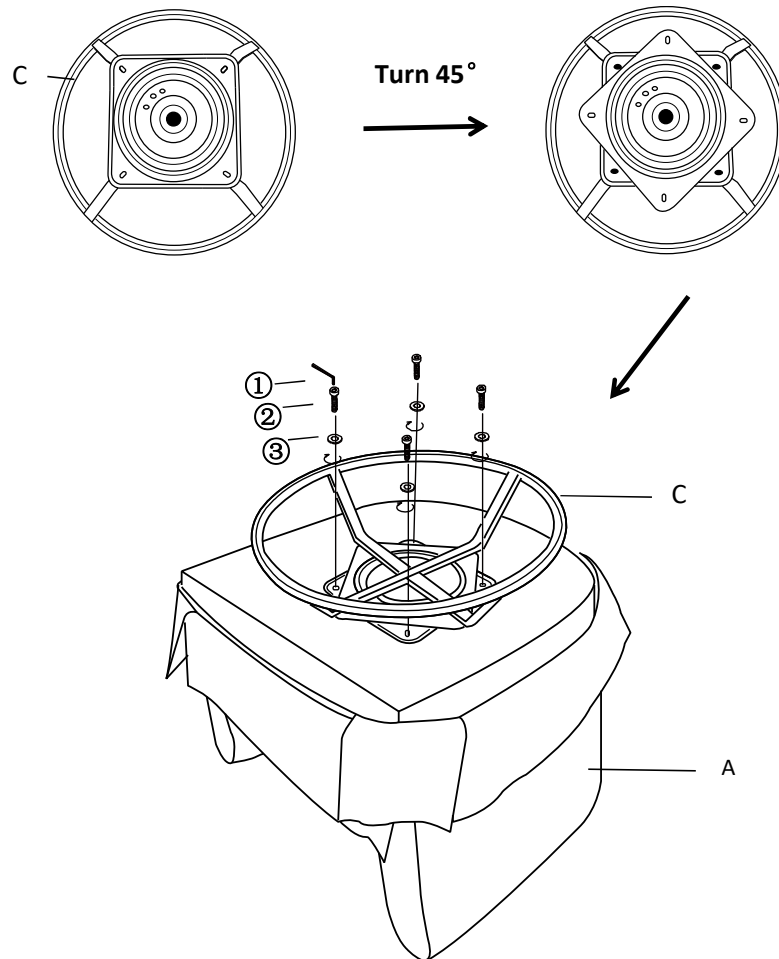
## Assembly Steps

### Overview



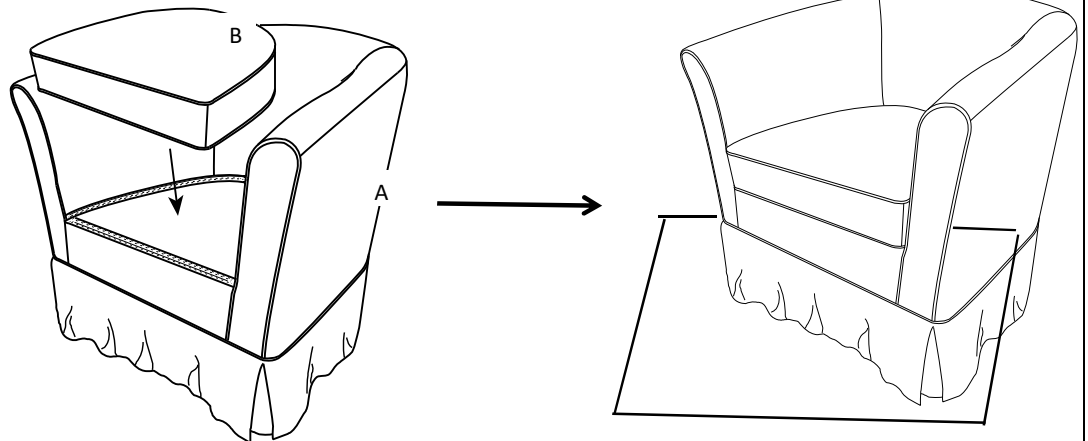
This Swivel Club Chair has multiple parts and may require up to 30 minutes to assemble. To give you an overview of the Swivel Club Chair parts, the above picture is to help you put the various Swivel Club Chair parts into perspective. Please read through the instructions to familiarise yourself with the parts and steps before assembly.

## Step 1



Turn the swivel by 45° first until can see the four mounting positions.  
Place the Chair(A) face down onto a flat, clean, non-marring surface.  
Align the Chair(A) to the notch of the Swivel(C) with your partner.  
Attach the Chair(A) and the Swivel(C) using Bolts(②) and Washer Ring(③) with Allen Key(①).

## Step 2



Test for

Position the Chair(A) right side up as shown above.

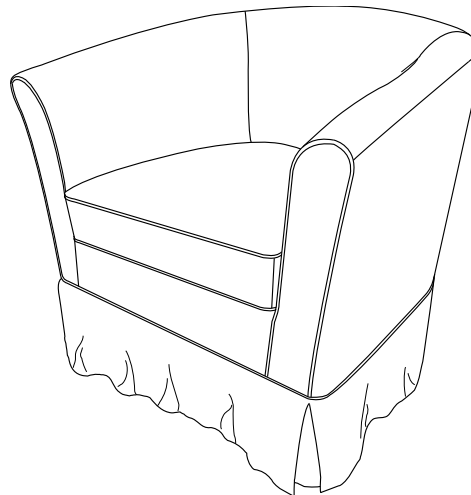
Put Seat Cushion(B) on Chair(A). It can stick Seat Cushion(B) on Chair(A) with velcro (Black Color).

Position Chair right side up and test for stability.

**Note: The use of Washers(Ⓢ) are OPTIONAL and are especially useful to help alleviate slight wobbles. Some Bolts may need more than one Washer(Ⓢ) whilst some Bolts may not need any Washers(Ⓢ).**

Add or remove Washer Rings where needed to achieve stability.

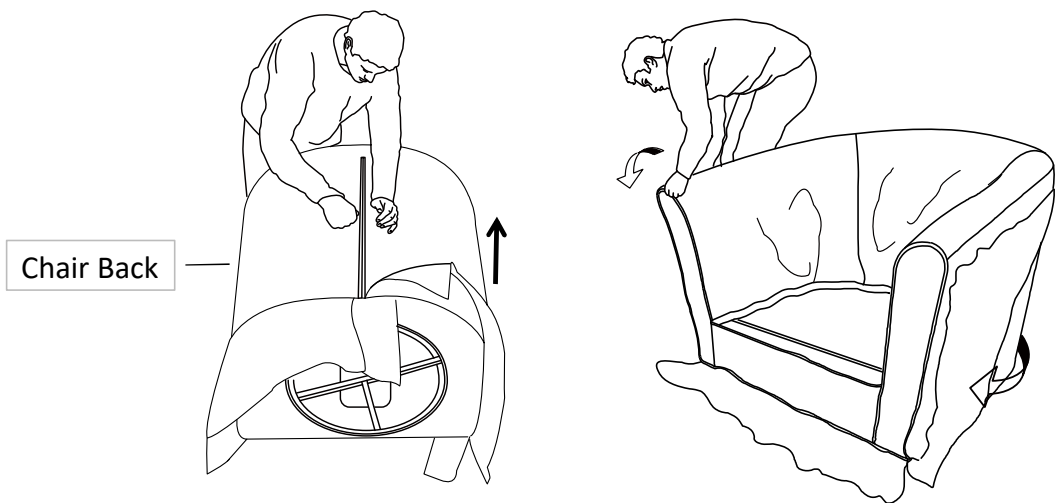
## Step 3



Your Swivel Club Chair is ready for use.

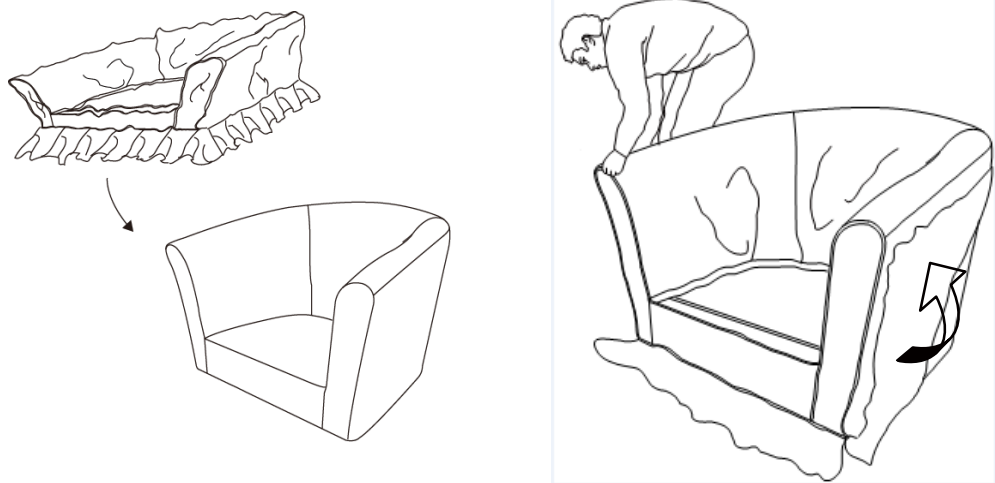
**This Swivel Club Chair can only be used on a flat, level surface.**

**Cleaning  
Step 1**























Cleaning Cover process:  
Unzip the Cover from back of Chair. Open the Cover toward right & left separately.  
Take off the Cover for cleaning.

**Cleaning  
Step 2**



To put on the Cover:  
Align the Cover and the Arms of the Chair, then pull Cover over the Backrest of the Chair. ZIP the Cover at the back.

## Care & Maintenance

-   ● Do not put hot items directly on furniture surface
  -   ● Do not clean furniture with harsh cleansers or polish.
  -   ● Do not place furniture under direct sunlight.
  -   ● Do not place furniture near heating or cooling vents.
  -   ● Do not write on furniture without a padded barrier to protect the surface.
  -   ● Do not place furniture outside . For indoor use only .
  -   ● Not for commercial use. For residential use only .
  -   ● Stains may be removed with mild soap solution and damp cloth.
  -   ● Children should not climb or jump on the furniture.
- 
-   ● Dust and pick-up spills using a clean, non-colored, lint-free cloth .