

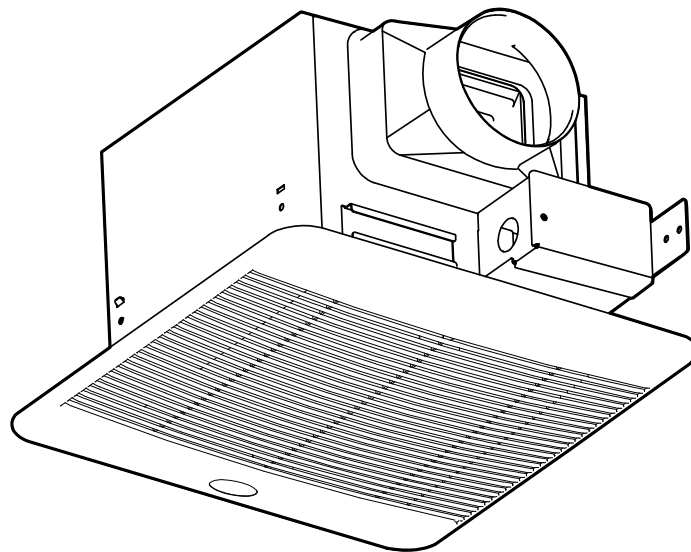


Item # 986-755  
Model # TY-50-A (HD)  
Item # 986-793  
Model # TY-80-A (HD)

# USE AND CARE GUIDE

---

## VENTILATION FAN



Questions, problems, missing parts? Before returning to the store,  
call Hampton Bay Customer Service  
8 a.m.-6 p.m., EST, Monday-Friday

**1-877-527-0313**

**HAMPTONBAY.COM**

---

### **THANK YOU.**

*We appreciate your trust and confidence in Hampton Bay with your purchase of this ventilation fan. At Hampton Bay we make quality products to help you improve your home and give you peace of mind about your choice. Don't forget to visit our website for other Hampton Bay products. We hope you enjoy this new addition to your home and thanks again for choosing Hampton Bay.*

# Table of Contents

Table of Contents .....	2	Installation .....	7
Safety Information.....	2	Troubleshooting.....	11
Warranty.....	3	Care and Cleaning .....	11
Pre-Installation .....	4	Specifications.....	12
Planning For Successful Installation .....	4	Ty-50-A (HD) Ultra Silent Ventilation Fan.....	12
Installation Options.....	4	Ty-80-A (HD) Silent Ventilation Fan .....	12
Tools Required .....	5	Service Parts .....	13
Materials Required .....	5	TY-50-A (HD) Serviceable Parts.....	13
Hardware Included .....	5	TY-80-A (HD) Serviceable Parts.....	14
Package Contents.....	6		

## Safety Information

1. This ventilation fan is approved for use over a bathtub or shower when installed in a GFCI protected circuit. Do not use unapproved fans over a bathtub or shower that is not approved for that application.
2. Installation work must be carried out by a qualified person(s) in accordance with all local and safety codes including the rules for fire-rated construction.
3. Always vent fans to the exterior and in compliance with local codes.
4. Install ductwork in a straight line with minimal bends.
5. Use 120 V, 60 Hz for the electrical supply and properly ground the unit. Follow all local safety and electrical codes.
6. Do not use this fan with any solid-state control device; such as a dimmer switch. Solid-state controls may cause harmonic distortion, which can cause a motor humming noise.
7. To reduce the risk of fire or electric shock, do not block air entry grill.
8. Sufficient air is needed for proper combustion and exhausting of gases through the flue (chimney) of fuel burning equipment to prevent back drafting.

Follow the heating equipment manufacturer's guideline and safety standards such as those published by the National Fire Protection Association (NFPA), and the American Society for Heating, Refrigeration and Air conditioning Engineers (ASHRAE), and the local code authorities.



**WARNING:** Not suitable for use as a range hood or in areas where hazardous or explosive vapors are present.



**CAUTION:** Do not install in locations where the air temperature will exceed 104°F (40°C).



**IMPORTANT:** Exercise care to not damage existing wiring when cutting or drilling into walls or ceilings.



**NOTE:** Make sure duct work size is a minimum of the discharge. Do not reduce. Reducing the duct size can increase fan noise.



**IMPORTANT:** You may want to consult with a professional electrician regarding the wiring of your ventilation fan.



**WARNING:** To reduce the risk of electric shock, please disconnect the electrical supply circuit to the fan before installing light kit.



**CAUTION:** This product must be properly grounded.



# Warranty

---

The manufacturer warrants the products to be free from defects in materials and workmanship for a period of three (3) years from date of purchase. This warranty applies only to the original consumer purchaser and only to products used in normal use and service. If this product is found to be defective, the manufacturer's only obligation, and your exclusive remedy, is the repair or replacement of the product at the manufacturer's discretion, provided that the product has not been damaged through misuse, abuse, accident, modifications, alterations, neglect or mishandling. This warranty shall not apply to any product that is found to have been improperly installed, set-up, or used in any way not in accordance with the instructions supplied with the product. This warranty shall not apply to a failure of the product as a result of an accident, misuse, abuse, negligence, alteration, faulty installation, or any other failure not relating to faulty material or workmanship. This warranty shall not apply to the finish on any portion of the product, such as surface and/or weathering, as this is considered normal wear and tear.

**The manufacturer does not warrant and specially disclaims any warranty, whether express or implied, of fitness for a particular purpose, other than the warranty contained herein. The manufacturer specifically disclaims any liability and shall not be liable for any consequential or incidental loss or damage, including but not limited to any labor/expense costs involved in the replacement or repair of said product.**

Contact Customer Service Team at 1-877-527-0313 or visit [www.hamptonbay.com](http://www.hamptonbay.com).

# Pre-Installation

## PLANNING FOR SUCCESSFUL INSTALLATION

When installing the ventilation fan in a new construction site, install the main body of the fan and duct work during the rough-in construction of the building. The grill should be installed after the finished ceiling is in place.

When installing in existing construction, use the dimensions on page 12 to determine the required hole size for the ceiling. Grill edges should overlap finished ceiling.



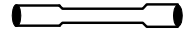
**NOTE:** If installing in existing construction, you must have access to space above and below the installation location.

Do not install ventilation fan in areas where the duct work will require configuration as shown.

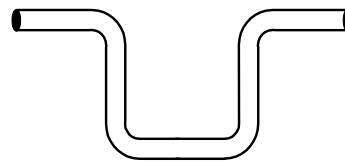
Turning angle too sharp



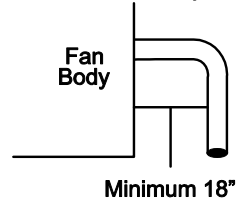
Avoid duct shrink



Too many elbows



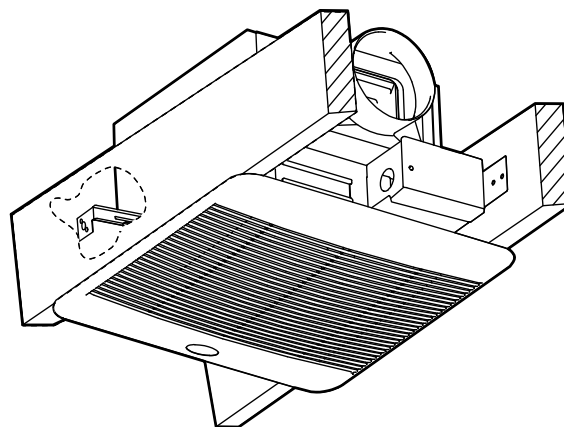
Elbow near the body



## INSTALLATION OPTIONS

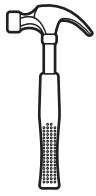
We recommend installing the ventilation fan by securing the main body of the fan against one ceiling joist and using the header bars as necessary for support of the adjoining joist.

There are multiple installation configurations possible for this ventilation fan. Not all configurations are shown. If your installation requires a variation other than those shown, consult with a licensed contractor to determine the best installation for your project. If you are replacing an existing fan, ensure that the new grill will adequately cover the existing opening.



# Pre-Installation (continued)

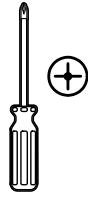
## TOOLS REQUIRED



Hammer



Safety goggles



Phillips screwdriver



Level

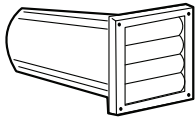


Electrical tape



Drill

## MATERIALS REQUIRED



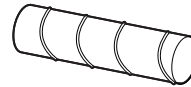
Duct vent



Duct clamp



Duct tape

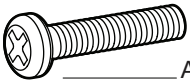


Duct piping

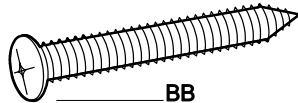
## HARDWARE INCLUDED



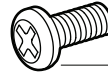
NOTE: Hardware shown to actual size.



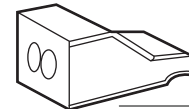
AA



BB



CC

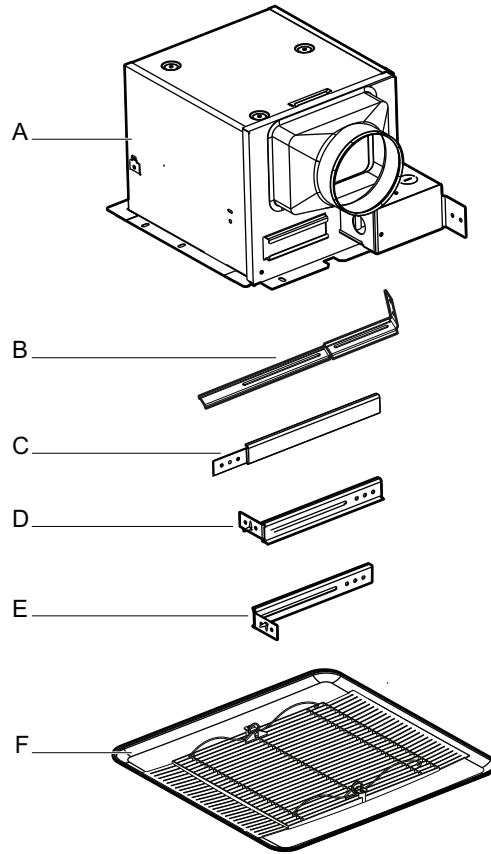


DD

Part	Description	Quantity
AA	Short screw (M4x12)	2
BB	Long wood screw (ST4x30)	8
CC	Screw (M4x6)	2
DD	Quick connect	3

# Pre-Installation (continued)

## PACKAGE CONTENTS



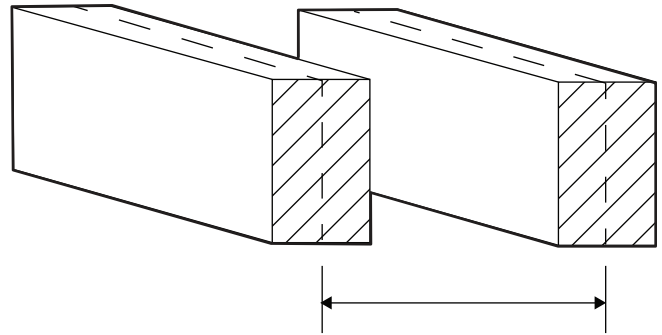
Part	Description
A	Fan body
B	Installation bracket IV
C	Installation bracket II
D	Installation bracket I
E	Installation bracket III
F	Grill



# Installation

## 1 Determine joist width

- Measure the distance from the center of the two ceiling joists where you will be installing the ventilation fan.
- Use the table to determine the header bar installation.
  - For configuration 1, proceed to step 2.
  - For configuration 2, proceed to step 3.
  - For configuration 3, proceed to step 4.

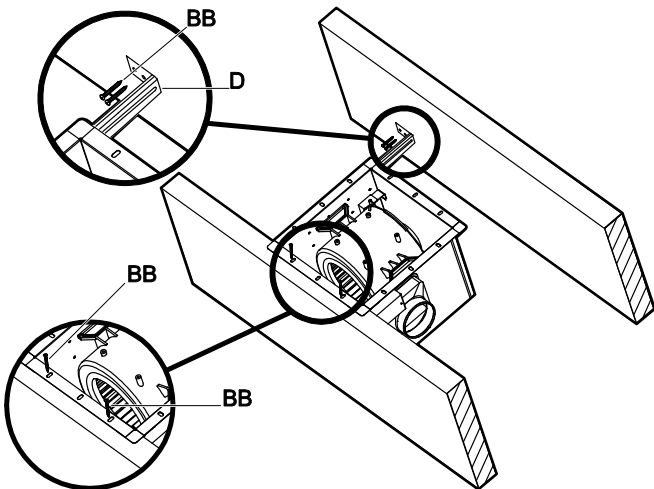


Use the following to determine the proper installation configuration:

Width between the Joists	Brackets Used	Configuration
12 in.	I	1
16 in.	I, IV	2
19.2 in.	I, II	3

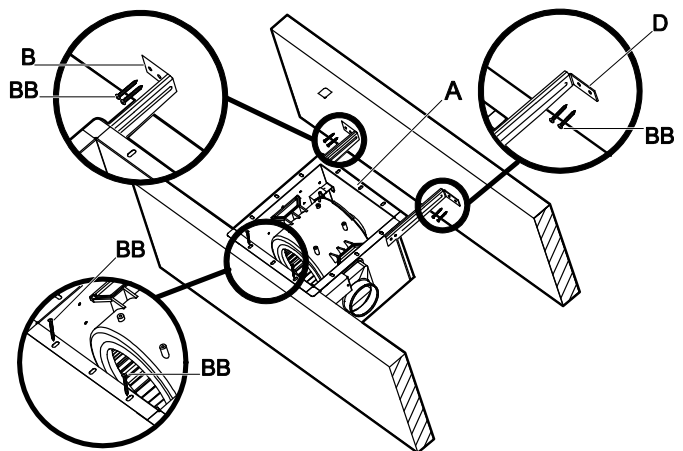
## 2 Configuration 1, initial install

- Use long wood screws (BB) to loosely attach the main body of fan (A) to ceiling joist in the four locations shown.
- Fit bracket I (D) against the main body of fan, ensuring the bracket is snug against the opposite ceiling joist.
- Use long wood screws to loosely attach bracket I to the opposite ceiling joist as shown.
- Proceed to step 6.



## 3 Configuration 2, initial install

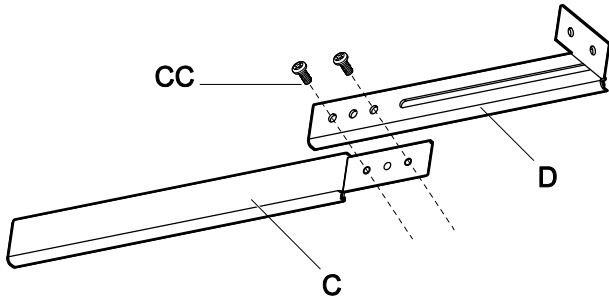
- Use long wood screws (BB) to loosely attach the main body of fan (A) to the ceiling joist in the four locations shown.
- Fit bracket IV (B) against the main body of fan, ensuring bracket I is snug against the opposite ceiling joist.
- Fit bracket I (D) against main the body of fan, ensuring bracket IV is snug against the opposite ceiling joist.
- Use long wood screws to loosely attach bracket I to opposite ceiling joist as shown.
- Proceed to step 6.



## Installation (continued)

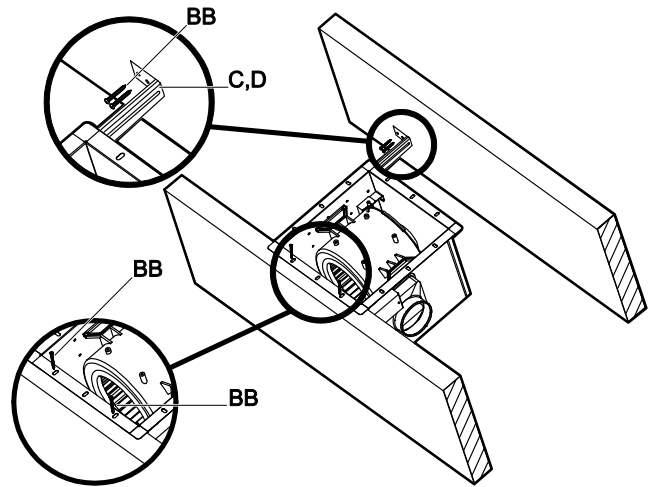
### 4 Configuration 3, preparation

- Connect bracket I (D) to bracket II (C) using two M4x6 screws (CC).



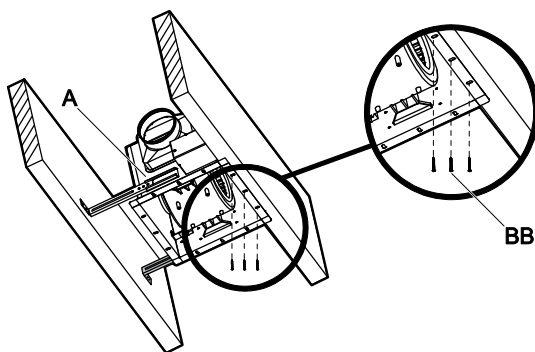
### 5 Configuration 3, initial install

- Use long wood screws (BB) to loosely attach the main body of fan (A) to the ceiling joist in the four locations shown.
- Fit connected brackets (C, D) against the main body of fan, ensuring they are snug against the opposite ceiling joist.
- Use long wood screws to loosely attach bracket 1 and 2 (C, D) to the opposite ceiling joist as shown.
- Proceed to step 6.



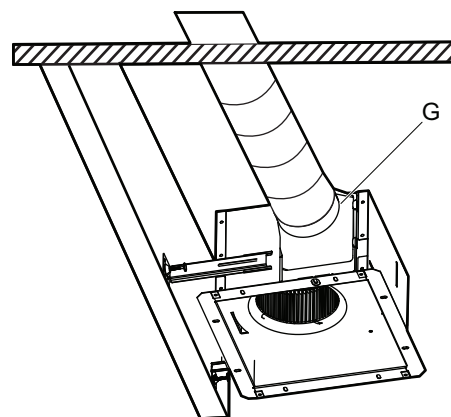
### 6 Final installation

- Ensure the main body (A) is level.
- Ensure the flange on the main body is flush with the ceiling joist.
- Firmly secure all screws on the main body and any installed brackets.
- Use long wood screws (BB) to secure the main body flange to bottom of ceiling joist as shown.



### 7 Connect duct

- Install a circular duct to outlet and secure it with duct tape or clamps.
- Install the duct (G) to the outlet with a gradient 1°~2° to the outside as shown.





# Installation (continued)

## 8 Using quick connect



**WARNING:** Wiring must comply with all applicable electrical codes. Turn OFF power before removing or installing connectors.



**WARNING:** COPPER TO COPPER ONLY. Do not use on Aluminum wire.

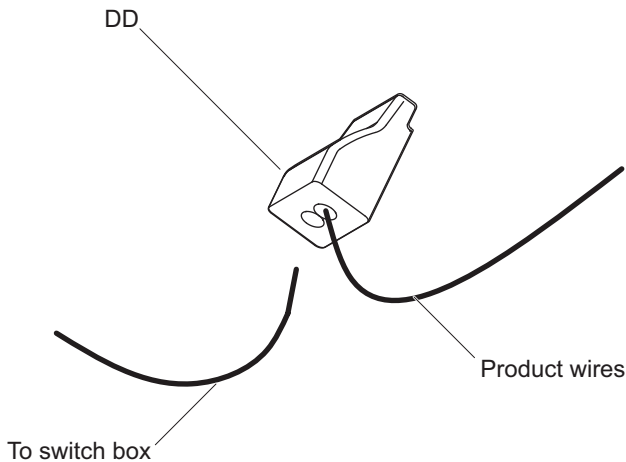


**CAUTION:** Accessory part DD (quick connect) should meet installation instructions below.



**NOTE:** Connector is reusable on solid wires of the same wire gage or smaller. Do not reuse connector on stranded wires.

- Strip the wires so half of the bare wire is showing.
- Grip the wire firmly and push the stripped end of the wire into the open port of connector (DD). Use only one stripped end of the wire per port.
- Verify the stripped end of the wire is fully inserted to the back of the connector (DD).



**NOTE:** Important wire information. Maximum temperature rating 105°C (221°F). 600 volts maximum for building wire and 1000 volts maximum in signs and lighting fixtures. Flammability rating of the wires must meet UL94-V2. The acceptable wire range includes: Solid: 12-20 AWG, Stranded: 12-16 AWG (≤19 STRAND); 18AWG (7 STRAND), Tin bonded: 14-18 AWG (≤19 STRAND).

## 9 Connect wiring from house to box

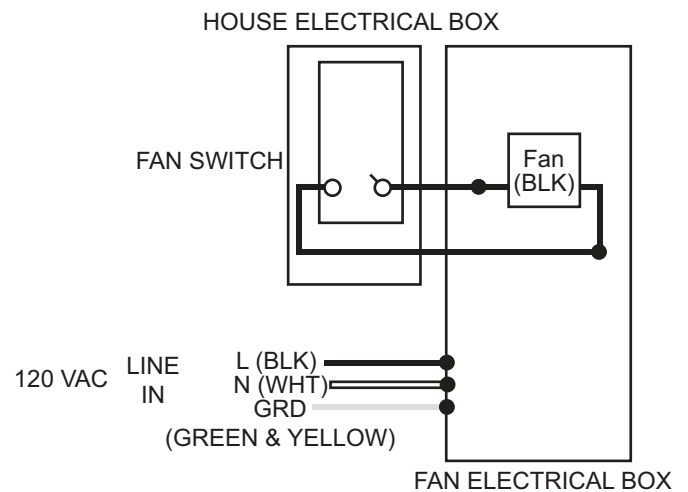


**WARNING:** Follow all local electrical and safety codes.



**CAUTION:** Never place a switch where it can be reached from a tub or shower.

- Connect house wires to ventilation fan wires.
- Match colors as shown.



**CAUTION:** If your house wires do not match these colors, determine what each house wire represents before connecting. You may need to consult a licensed electrician to determine this safely.

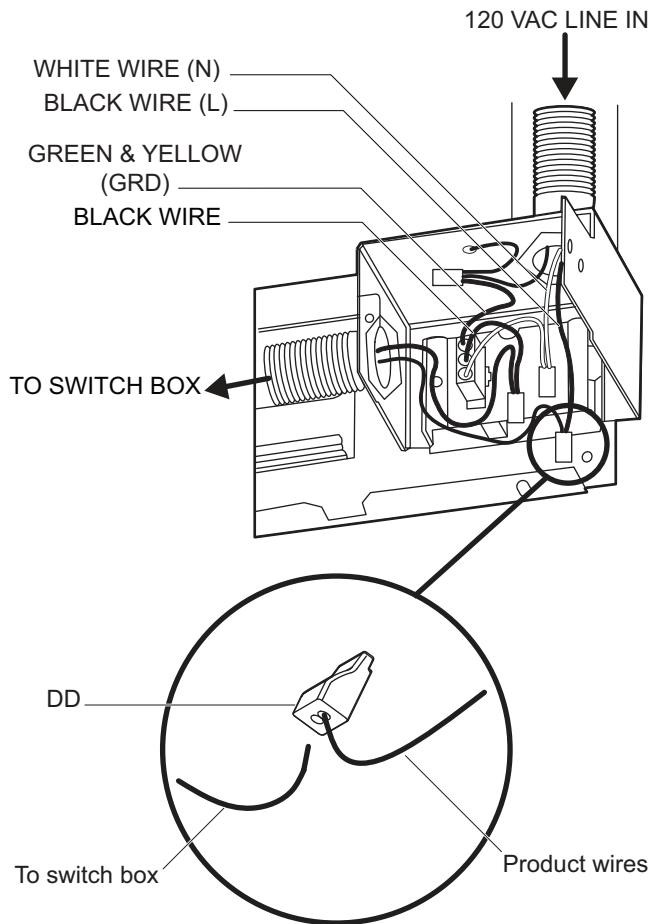
# Installation (continued)

## 10 Connect wiring from box to switch



**WARNING:** Follow all local electrical and safety codes.

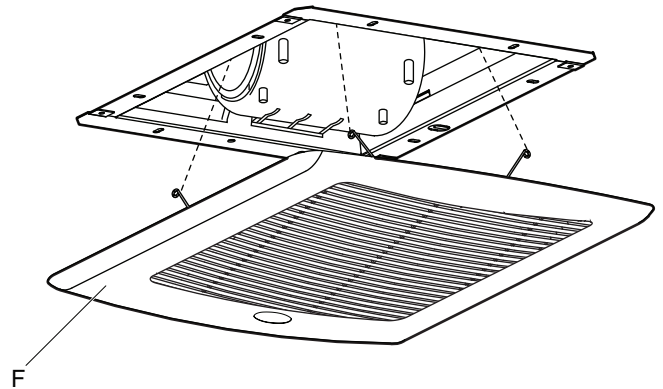
- Connect wires to switch using the quick connect (DD) or wire nuts (not provided).
- Match colors as shown.



**WARNING:** Failure to wire product correctly could result in electrical shock, fire hazards, or damage to the product. Consult a licensed electrician if you are unsure of your ability to correctly install wiring.

## 11 Attach grill

- Insert the mounting springs into the slots in the grill (F).
- Squeeze springs together and insert into the main body.



# Troubleshooting



**CAUTION:** Do not install in locations where the air temperature will exceed 104°F (40°C).

Problem	Possible Cause	Corrective Action
Fan will not turn on	<input type="checkbox"/> Power off	<input type="checkbox"/> Make sure the power supply is on
	<input type="checkbox"/> Faulty switch	<input type="checkbox"/> Test or replace the switch
	<input type="checkbox"/> Faulty wire connection	<input type="checkbox"/> Check wire in the switch box

# Care and Cleaning

- Before servicing or cleaning the unit, disconnect and lock the power supply at the panel to prevent the power from being turned on.
- Remove the grill by squeezing the springs and pulling down.
- Wash and clean the grill in a sink and dry with a cloth.
- Remove dust and dirt from the fan housing with a vacuum cleaner.
- Dampen cloth with dish detergent, wipe the fan housing and dry with a cloth.
- Replace the grill.

# Specifications

## TY-50-A (HD) ULTRA SILENT VENTILATION FAN

Model No.	TY-50-A (HD)
Air direction	50 cfm
Voltage	120 V
Hertz	60 HZ
Duct diameter	4 in. (10.16 cm)
Noise	0.5 Sone
Power consumption (Watts)	20 W
Speed	900 rpm
Air deliver at 0.1" WG	50 cfm
Weight	10.5 lbs. (4.8 kg)

## DIMENSIONS

Ceiling opening - length	9.5 in. (24.13 cm)
Ceiling opening - width	9.5 in. (24.13 cm)
Ceiling opening - depth	8.26 in. ( 21 cm)
Housing dimension - length	9.13 in. (23 cm)
Housing dimension - width	9.13 in. (23 cm)
Housing dimension - depth	7.75 in. (19.6 cm)

## TY-80-A (HD) SILENT VENTILATION FAN

Model No.	TY-80-A (HD)
Air direction	90 cfm
Voltage	120 V
Hertz	60 HZ
Duct diameter	4 in. (10.16 cm)
Noise	1.0 Sone
Power consumption (Watts)	30 W
Speed	1000 rpm
Air deliver at 0.1" WG	90 cfm
Weight	10.5 lbs. (4.8 kg)

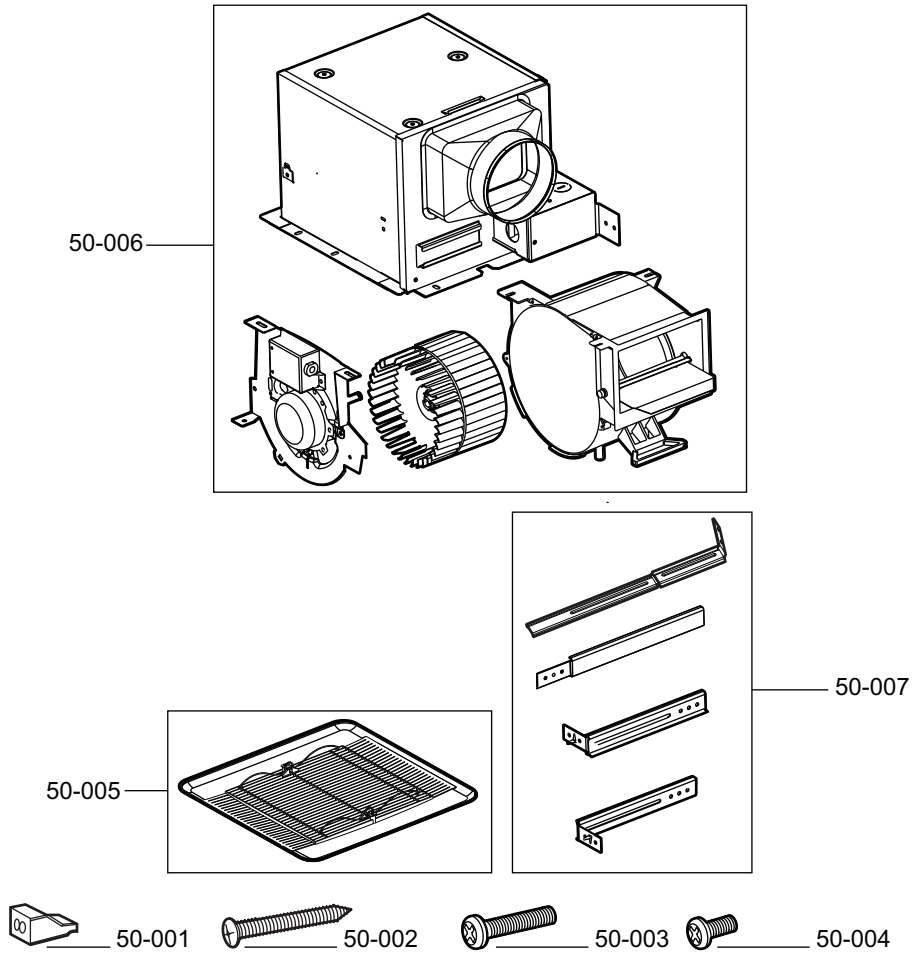
## DIMENSIONS

Ceiling opening - length	9.5 in. (24.13 cm)
Ceiling opening - width	9.5 in. (24.13 cm)
Ceiling opening - depth	8.26 in. ( 21 cm)
Housing dimension - length	9.13 in. (23 cm)
Housing dimension - width	9.13 in. (23 cm)
Housing dimension - depth	7.75 in. (19.6 cm)



# Service Parts

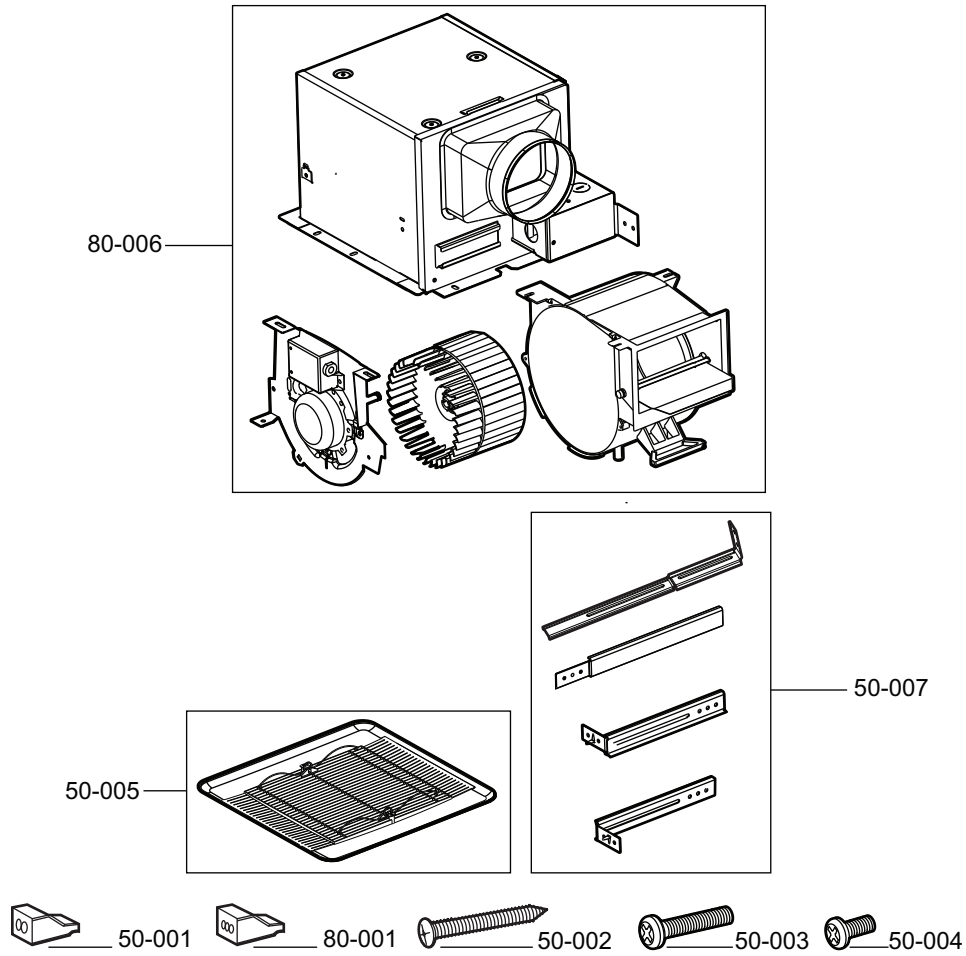
## TY-50-A (HD) SERVICEABLE PARTS



Part number	Description	Quantity
50-001	Quick connectors	3
50-002	Long wood screws	8
50-003	Short screw (M4x12)	2
50-004	Short screw (M4x6)	2
50-005	Grill	1
50-006	Complete assembled fan and housing	1
50-007	Complete suspension brackets	1

# Service Parts (continued)

## TY-80-A (HD) SERVICEABLE PARTS



Part number	Description	Quantity
50-001	Quick connectors	2
80-001	Quick connectors	1
50-002	Long wood screws	8
50-003	Short screw (M4x12)	2
50-004	Short screw (M4x6)	2
50-005	Grill	1
80-006	Complete assembled fan and housing	1
50-007	Complete suspension brackets	1



This page intentionally left blank



Questions, problems, missing parts? Before returning to the store,  
call Hampton Bay Customer Service  
8 a.m.-6 p.m., EST, Monday-Friday

**1-877-527-0313**

**HAMPTONBAY.COM**

Retain this manual for future use.

20111010-M