

IMPORTANT:
Read Before Using

IMPORTANT :
Lire avant usage

IMPORTANTE:
Leer antes de usar

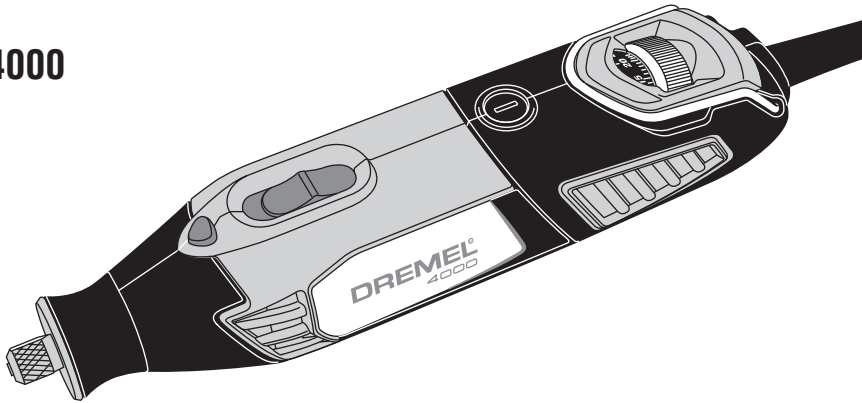


Operating/Safety Instructions

Consignes de fonctionnement/sécurité

Instrucciones de funcionamiento y seguridad

4000



DREMEL®

P.O. Box 1468 Racine, Wisconsin 53401

Call Toll Free for
Consumer Information
& Service Locations

Pour obtenir des informations
et les adresses de nos centres
de service après-vente,
appelez ce numéro gratuit

Llame gratis para
obtener información
para el consumidor y
ubicaciones de servicio

1-800-4-DREMEL (1-800-437-3635) www.dremel.com

For English Version
See page 2

Version française
Voir page 23

Versión en español
Ver la página 45

General Power Tool Safety Warnings

⚠ WARNING Read all safety warnings and all instructions. Failure to follow the warnings and instructions may result in electric shock, fire and/or serious injury.

SAVE ALL WARNINGS AND INSTRUCTIONS FOR FUTURE REFERENCE

The term “power tool” in the warnings refers to your mains-operated (corded) power tool or battery-operated (cordless) power tool.

Work area safety

Keep work area clean and well lit. Cluttered or dark areas invite accidents.

Do not operate power tools in explosive atmospheres, such as in the presence of flammable liquids, gases or dust. Power tools create sparks which may ignite the dust or fumes.

Keep children and bystanders away while operating a power tool. Distractions can cause you to lose control.

Electrical safety

Power tool plugs must match the outlet. Never modify the plug in any way. Do not use any adapter plugs with earthed (grounded) power tools. Unmodified plugs and matching outlets will reduce risk of electric shock.

Avoid body contact with earthed or grounded surfaces such as pipes, radiators, ranges and refrigerators. There is an increased risk of electric shock if your body is earthed or grounded.

Do not expose power tools to rain or wet conditions. Water entering a power tool will increase the risk of electric shock.

Do not abuse the cord. Never use the cord for carrying, pulling or unplugging the power tool. Keep cord away from heat, oil, sharp edges or moving parts. Damaged or entangled cords increase the risk of electric shock.

When operating a power tool outdoors, use an extension cord suitable for outdoor use. Use of a cord suitable for outdoor use reduces the risk of electric shock.

If operating the power tool in damp locations is unavoidable, use a Ground Fault Circuit Interrupter (GFCI) protected supply. Use of an GFCI reduces the risk of electric shock.

Personal safety

Stay alert, watch what you are doing and use common sense when operating a

power tool. Do not use a power tool while you are tired or under the influence of drugs, alcohol or medication. A moment of inattention while operating power tools may result in serious personal injury.

Use personal protective equipment. Always wear eye protection. Protective equipment such as dust mask, non-skid safety shoes, hard hat, or hearing protection used for appropriate conditions will reduce personal injuries.

Prevent unintentional starting. Ensure the switch is in the off-position before connecting to power source and / or battery pack, picking up or carrying the tool. Carrying power tools with your finger on the switch or energizing power tools that have the switch on invites accidents.

Remove any adjusting key or wrench before turning the power tool on. A wrench or a key left attached to a rotating part of the power tool may result in personal injury.

Do not overreach. Keep proper footing and balance at all times. This enables better control of the power tool in unexpected situations.

Dress properly. Do not wear loose clothing or jewelry. Keep your hair, clothing and gloves away from moving parts. Loose clothes, jewelry or long hair can be caught in moving parts.

If devices are provided for the connection of dust extraction and collection facilities, ensure these are connected and properly used. Use of dust collection can reduce dust-related hazards.

Power tool use and care

Do not force the power tool. Use the correct power tool for your application. The correct power tool will do the job better and safer at the rate for which it was designed.

Do not use the power tool if the switch does not turn it on and off. Any power tool that cannot be controlled with the switch is dangerous and must be repaired.



Disconnect the plug from the power source and/or the battery pack from the power tool before making any adjustments, changing accessories, or storing power tools. Such preventive safety measures reduce the risk of starting the power tool accidentally.

Store idle power tools out of the reach of children and do not allow persons unfamiliar with the power tool or these instructions to operate the power tool. Power tools are dangerous in the hands of untrained users.

Maintain power tools. Check for misalignment or binding of moving parts, breakage of parts and any other condition that may affect the power tool's operation. If damaged, have the power tool repaired before use. Many accidents are caused by poorly maintained power tools.

Keep cutting tools sharp and clean. Properly maintained cutting tools with sharp cutting edges are less likely to bind and are easier to control.

Use the power tool, accessories and tool bits etc. in accordance with these instructions, taking into account the working conditions and the work to be performed. Use of the power tool for operations different from those intended could result in a hazardous situation.

Service

Have your power tool serviced by a qualified repair person using only identical replacement parts. This will ensure that the safety of the power tool is maintained.

Safety Rules for Rotary Tools

Hold power tools by insulated gripping surfaces when performing an operation where the cutting tool may contact hidden wiring or its own cord. Contact with a "live" wire will make exposed metal parts of the tool "live" and shock the operator.

Use clamps or another practical way to secure and support the workpiece to a stable platform. Holding the work by hand or against your body leaves it unstable and may lead to loss of control.

Accessories must be rated for at least the speed recommended on the tool warning label. Wheels and other accessories running over rated speed can fly apart and cause injury.

If cutting into existing walls or other blind areas where electrical wiring may exist is unavoidable, disconnect all fuses or circuit breakers feeding this worksite.

Do not operate the flexible shaft with a sharp bend. Over bending the shaft can generate excessive heat on the jacket or hand piece. The recommended minimum is 5" radius.

Always disconnect the power cord from the power source before making any adjustments or attaching any accessories. You may unexpectedly cause the tool to start

leading to serious personal injury.

Be aware of the switch location, when placing the tool down or when picking the tool up. You may accidentally activate the switch.

Always hold the hand piece firmly in your hands during the start-up. The reaction torque of the motor, as it accelerates to full speed, can cause the shaft to twist.

Always wear safety goggles and dust mask. Use only in well ventilated area. Using personal safety devices and working in safe environment reduces risk of injury.

After changing the bits or making any adjustments, make sure the collet nut and the EZ TWIST™ integrated wrench/nose cap are both securely tightened. Loose adjustment devices can unexpectedly shift, causing loss of control, loose rotating components will be violently thrown.

Do not reach in the area of the spinning bit. The proximity of the spinning bit to your hand may not always be obvious.

Allow brushes to run at operating speed for at least one minute before using wheel. During this time no one is to stand in front or in line with the brush. Loose bristles or wires will be discharged during the run-in time.



Safety Rules for Rotary Tools - (cont.)

Wire and bristle brushes must never be operated at speeds greater than 15,000/min. Direct the discharge of the spinning wire brush away from you. Small particles and tiny wire fragments may be discharged at high velocity during the “cleaning” action with these brushes and may become imbedded in your skin. Bristles or wires will be discharged from the brush at high speeds.

Wear protective gloves and face shield with wire or bristle brushes. Apply wire or bristle brushes lightly to the work as only the tips of the wire/bristles do the work. “Heavy” pressure on bristles will cause the wire or bristle to become overstressed, resulting in a wiping action and will cause the bristles/wire to be discharged.

Carefully handle both the tool and individual grinding wheels to avoid chipping or cracking. Install a new wheel if tool is dropped while grinding. Do not use a wheel that may be damaged. Fragments from a wheel that bursts during operation will fly away at great velocity possibly striking you or bystanders.

Never use dull or damaged bits. Sharp bits must be handled with care. Damaged bits can snap during use. Dull bits require more force to push the tool, possibly causing the bit to break.

Use clamps to support workpiece whenever practical. Never hold a small workpiece in one hand and the tool in the other hand while in use. Allow for sufficient space, at least 6", between your hand and the spinning bit. Round material such as dowel rods, pipes or tubing have a tendency to roll while being cut, and may cause the bit to “bite” or jump toward you. Clamping a small workpiece allows you to use both hands to control the tool.

Inspect your workpiece before cutting. When cutting irregularly shaped workpieces, plan your work so it will not slip and pinch the bit and be torn from your hand. For example, if carving wood, make sure there are no nails or foreign objects in the workpiece. Nails or foreign objects can cause the bit to jump.

Never start the tool when the bit is engaged in the material. The bit cutting

edge may grab the material causing loss of control of the cutter.

Avoid bouncing and snagging the wheel, especially when working corners, sharp edges etc. This can cause loss of control and kick-back.

The direction of feed with the bit into the material when carving, routing or cutting is very important. Always feed the bit into the material in the same direction as the cutting edge is exiting from the material (which is the same direction as the chips are thrown). Feeding the tool in the wrong direction, causes the cutting edge of the bit to climb out of the work and pull the tool in the direction of this feed.

If the workpiece or bit becomes jammed or bogged down, turn the tool “OFF” by the switch. Wait for all moving parts to stop and unplug the tool, then work to free the jammed material. If the switch to the tool is left “ON” the tool could restart unexpectedly causing serious personal injury.

Do not leave a running tool unattended, turn power off. Only when tool comes to a complete stop is it safe to put it down.

Do not grind or sand near flammable materials. Sparks from the wheel could ignite these materials.

Do not touch the bit or collet after use. After use the bit and collet are too hot to be touched by bare hands.

Regularly clean the tool's air vents by compressed air. Excessive accumulation of powdered metal inside the motor housing may cause electrical failures.

Do not allow familiarity gained from frequent use of your rotary tool to become commonplace. Always remember that a careless fraction of a second is sufficient to inflict severe injury.

Do not alter or misuse tool. Any alteration or modification is a misuse and may result in serious personal injury.

This product is not intended for use as a dental drill, in human or veterinary medical applications. Serious personal injury may result.

When using the steel saws, cutoff wheels, high speed cutters or tungsten carbide

Safety Rules for Rotary Tools - (cont.)

cutters, always have the work securely clamped. Never attempt to hold the work with one hand while using any of these accessories. The reason is that these wheels will grab if they become slightly canted in the groove, and can kickback causing loss of control resulting in serious injury. Your second

hand should be used to steady and guide the hand holding the tool. When a cutoff wheel grabs, the wheel itself usually breaks. When the steel saw, high speed cutters or tungsten carbide cutter grab, it may jump from the groove and you could lose control of the tool.

Additional Safety Warnings

GFCI and personal protection devices like electrician's rubber gloves and footwear will further enhance your personal safety.

Do not use AC only rated tools with a DC power supply. While the tool may appear to work, the electrical components of the AC rated tool are likely to fail and create a hazard to the operator.

Keep handles dry, clean and free from oil and grease. Slippery hands cannot safely control the power tool.

Use clamps or other practical way to secure and support the workpiece to a stable platform. Holding the work by hand or against your body is unstable and may lead to loss of control.

Develop a periodic maintenance schedule for your tool. When cleaning a tool be careful not to disassemble any portion of the tool since internal wires may be misplaced or pinched or safety guard return springs may be improperly mounted. Certain cleaning agents such as gasoline,

carbon tetrachloride, ammonia, etc. may damage plastic parts.

Risk of injury to user. The power cord must only be serviced by a Dremel Service Facility..




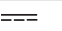
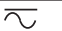







⚠ WARNING **Some dust created by power sanding, sawing, grinding, drilling, and other construction activities contains chemicals known to cause cancer, birth defects or other reproductive harm. Some examples of these chemicals are:**

- Lead from lead-based paints,
- Crystalline silica from bricks and cement and other masonry products, and
- Arsenic and chromium from chemically-treated lumber.

Your risk from these exposures varies, depending on how often you do this type of work. To reduce your exposure to these chemicals: work in a well ventilated area, and work with approved safety equipment, such as those dust masks that are specially designed to filter out microscopic particles.

Symbols

IMPORTANT: Some of the following symbols may be used on your tool. Please study them and learn their meaning. Proper interpretation of these symbols will allow you to operate the tool better and safer.

Symbol	Name	Designation/Explanation
V	Volts	Voltage (potential)
A	Amperes	Current
Hz	Hertz	Frequency (cycles per second)
W	Watt	Power
kg	Kilograms	Weight
min	Minutes	Time
s	Seconds	Time
\varnothing	Diameter	Size of drill bits, grinding wheels, etc.
n_0	No load speed	Rotational speed, at no load
n	Rated speed	Maximum attainable speed
.../min	Revolutions or reciprocation per minute	Revolutions, strokes, surface speed, orbits etc. per minute
0	Off position	Zero speed, zero torque...
1, 2, 3, ... I, II, III,	Selector settings	Speed, torque or position settings. Higher number means greater speed
	Infinitely variable selector with off	Speed is increasing from 0 setting
	Arrow	Action in the direction of arrow
	Alternating current	Type or a characteristic of current
	Direct current	Type or a characteristic of current
	Alternating or direct current	Type or a characteristic of current
	Class II construction	Designates Double Insulated Construction tools.
	Earthing terminal	Grounding terminal
	Warning symbol	Alerts user to warning messages
	Li-ion RBRC seal	Designates Li-ion battery recycling program
	Ni-Cad RBRC seal	Designates Ni-Cad battery recycling program
	Read manual symbol	Alerts user to read manual
	Wear eye protection symbol	Alerts user to wear eye protection

Symbols (continued)

IMPORTANT: Some of the following symbols may be used on your tool. Please study them and learn their meaning. Proper interpretation of these symbols will allow you to operate the tool better and safer.



This symbol designates that this tool is listed by Underwriters Laboratories.



This symbol designates that this tool is recognized by Underwriters Laboratories.



This symbol designates that this tool is listed by Underwriters Laboratories, to United States and Canadian Standards.



This symbol designates that this tool is listed by the Canadian Standards Association.



This symbol designates that this tool is listed by the Canadian Standards Association, to United States and Canadian Standards.



This symbol designates that this tool is listed by the Intertek Testing Services, to United States and Canadian Standards.

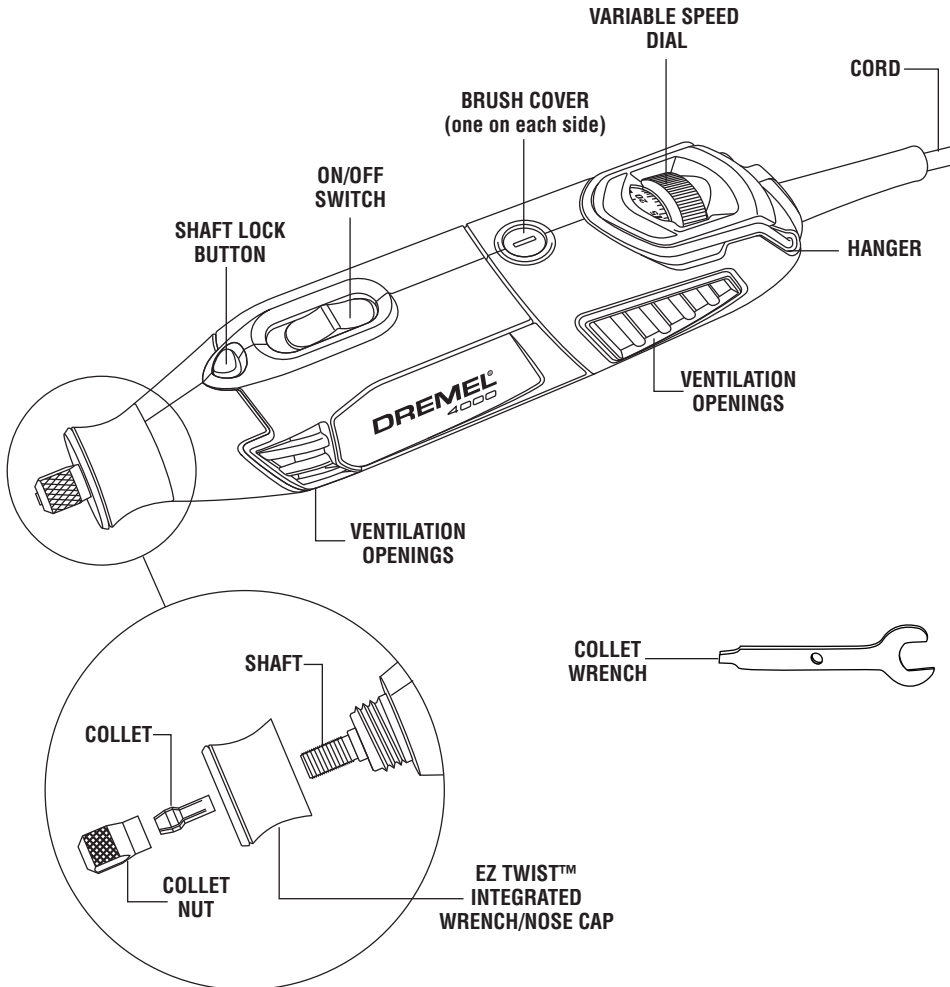


This symbol designates that this tool complies to NOM Mexican Standards.

Functional Description and Specifications

⚠ WARNING Disconnect the plug from the power source before making any assembly, adjustments or changing accessories. Such preventive safety measures reduce the risk of starting the tool accidentally.

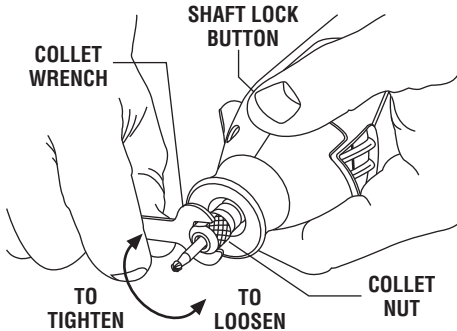
Model 4000 High Speed Rotary Tool



Model number	4000
Voltage rating	120V ~ 50 - 60Hz
Amperage rating	1.6A
No load speed	n_0 5,000-35,000/min
Collet capacities	1/32, 1/16", 3/32", 1/8"

Assembly

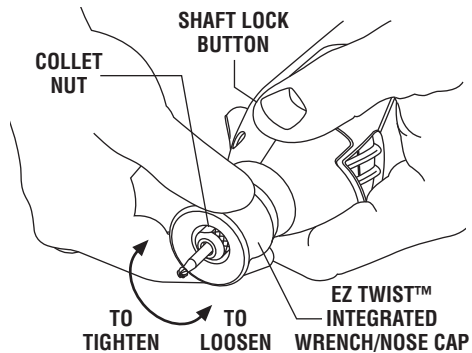
WARNING Always unplug Rotary Tool before changing accessories, changing collets or servicing your Rotary Tool.



COLLET NUT — To loosen, first press shaft lock button and rotate the shaft by hand until the lock engages the shaft preventing further rotation. Your Dremel 4000 is equipped with a quick collet lock mechanism. This mechanism engages the output shaft in 8 separate locations on the shaft for easier operation.

CAUTION Do not engage lock while the Rotary Tool is running.

With the shaft lock engaged use the collet wrench to loosen the collet nut if necessary. The collet nut must be loosely threaded on when inserting an accessory. Change accessories by inserting the new one into the collet as far as

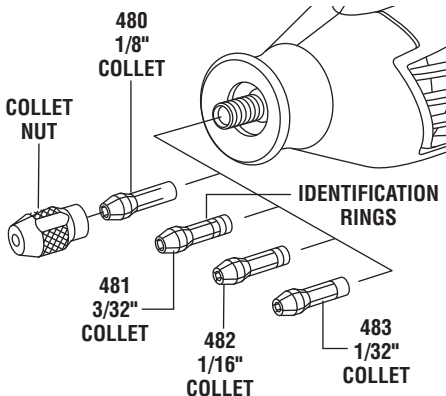


possible to minimize runout and unbalance. With the shaft lock engaged, finger tighten the collet nut until the accessory shank is gripped by the collet. **Avoid excessive tightening of the collet nut when there is no bit inserted.**

EZ TWIST™ INTEGRATED WRENCH/NOSE CAP

The nose cap of your tool has an integrated wrench allowing you to loosen and tighten the collet nut without the use of the standard collet wrench. Unscrew the nose cap from the tool, line-up steel insert on inside of cap with collet nut. With the shaft lock engaged twist nose cap clockwise to tighten, and counter-clockwise to loosen.

COLLETS — Four different size collets (see illustration), to accommodate different shank sizes, are available for your Rotary Tool. To install a different collet, remove the collet nut and remove the old collet. Insert the unslotted



end of the collet in the hole in the end of the tool shaft. Replace collet nut on the shaft.

CAUTION Always use the collet which matches the shank size of the accessory you plan to use. Never force a larger diameter shank into a collet.

Note: Most rotary tool kits do not include all four collets sizes.

COLLET IDENTIFICATION CHART

Collet sizes can be identified by the rings on the back end of collet.

- 1/32" Collet has one (1) ring.
- 1/16" Collet has two (2) rings.
- 3/32" Collet has three (3) rings.
- 1/8" Collet has no rings. **(Included in most tool kits on the tool)**

BALANCING ACCESSORIES — For precision work, it is important that all accessories be in

good balance (much the same as the tires on your automobile). To true up or balance an accessory, slightly loosen collet nut and give the accessory or collet a 1/4 turn. Retighten collet nut and run the Rotary Tool. You should be able to tell by the sound and feel if your accessory is running in balance. Continue adjusting in this fashion until best balance is achieved. To maintain balance on abrasive wheel points, before each use, with the wheel

point secured in the collet, turn on the Rotary Tool and run the 415 Dressing Stone lightly against the revolving wheel point. This removes high spots and trues up the wheel point for good balance.

The hanger is provided for the use of hanging your tool while using the flex-shaft or for storage. If you do not use the hanger, snap it back into place so it will be out of the way while the tool is in use.

Operating Instructions

Dremel 4000

Thank you for purchasing the Dremel 4000. This product was designed by the many Dremel users who passionately use their rotary tools daily. This tool was designed to give you the ultimate performance when working on projects.

The Dremel 4000 is the MOST versatile rotary tool available today. It has a wide speed range including a high performance motor with electronic feedback that allows the tool to maintain its speed under load. The design of the tool is symmetrical and contains plenty of soft grip so the tool can be held comfortably in many positions. The quick collet lock mechanism makes locking the output shaft easier for changing accessories. You will appreciate the many applications that the Dremel 4000 can easily tackle.

Rotary Tool Introduction

The Rotary Tool has a small, powerful electric universal motor, is comfortable in the hand, and is made to accept a large variety of accessories including abrasive wheels, drill bits, wire brushes, polishers, engraving cutters, router bits, cutting wheels and attachments. Accessories come in a variety of shapes and permit you to do a number of different jobs. As you become familiar with the range of accessories and their uses, you will learn just how versatile the Rotary Tool is. You'll see dozens of uses you hadn't thought of before.

The real secret of the Rotary Tool is its speed. To understand the advantages of its high speed, you have to know that the standard portable electric drill runs at speeds up to 2,800 revolutions per minute. The Rotary Tool operates at speeds up to 35,000 revolutions per minute. The typical electric drill is a low-speed, high torque tool; the Rotary Tool is just the opposite – a high-speed, low torque tool. The major difference to the user is that in the high speed tools, the speed combined with the

accessory mounted in the collet does the work. You don't apply pressure to the tool, but simply hold and guide it. In the low speed tools, you not only guide the tool, but also apply pressure to it, as you do, for example, when drilling a hole.

It is this high speed, along with its compact size and wide variety of special accessories and attachments, that makes the Rotary Tool different from other tools. The speed enables it to do jobs low speed tools cannot do, such as cutting hardened steel, engraving glass, etc.

Getting the most out of your Rotary Tool is a matter of learning how to let this speed work for you. To learn about more uses and the versatility of Dremel accessories and attachments refer to this Owner's Manual or check our website at www.Dremel.com.

Using the Rotary Tool

The first step in learning to use the Rotary Tool is to get the "feel" of it. Hold it in your hand and feel its weight and balance. Feel the taper of the housing. This taper permits the Rotary Tool to be grasped much like a pen or pencil (Figure A).

Always hold the tool away from your face. Accessories can be damaged during handling, and can fly apart as they come up to speed. This is not common, but it does happen.

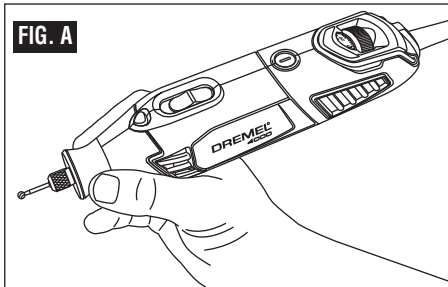
Practice on scrap materials first to see how the Rotary Tool's high speed action performs. Keep in mind that the work is done by the speed of the tool and by the accessory in the collet. You should not lean on or push the tool during use.

Instead, lower the spinning accessory lightly to the work and allow it to touch the point at which you want cutting (or sanding or etching, etc.) to begin. Concentrate on guiding the tool over the work using very little pressure from your hand. Allow the accessory to do the work.

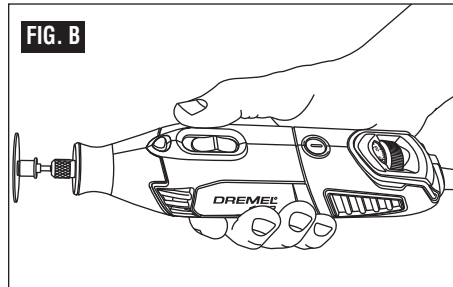
Usually, it is best to make a series of passes with the tool rather than attempt to do all the work in one pass. To make a cut, for example,

pass the tool back and forth over the work, much as you would a small paint brush. Cut a little material on each pass until you reach the desired depth. For most work, the gentle touch

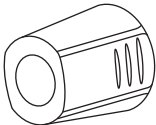
is best. With it, you have the best control, are less likely to make errors, and will get the most efficient work out of the accessory.



For best control in close work, grip the Rotary Tool like a pencil between your thumb and forefinger.



The "Golf Grip" method of holding the tool is used for more aggressive operations such as grinding a flat surface or using cutoff wheels.



For performing precision tasks a separate nose piece is available in some kits. It has a tapered shape which allows the user to pinch the nose piece comfortably between thumb and forefinger. It provides an excellent line of sight for performing detailed etching, carving and engraving work.



CAUTION Whenever you hold the tool, be careful not to cover the air vents with your hand. This blocks the air flow and causes the motor to overheat.

Questions or Problems? Call 1-800-437-3635
or check our website at www.Dremel.com

Operating Speeds

To select the right speed for each job, use a practice piece of material.

NOTE: Speed is affected by voltage changes. A reduced incoming voltage will slow the RPM of the tool.

SLIDE "ON/OFF" SWITCH

The tool is switched "ON" by the slide switch located on the top side of the motor housing.

TO TURN THE TOOL "ON", slide the switch button forward.

TO TURN THE TOOL "OFF", slide the switch button backward.

HIGH PERFORMANCE MOTOR

Your tool is equipped with a high performance rotary tool motor. This motor expands the versatility of the rotary tool by driving additional

attachments such as the Dremel Multi-Saw and Dremel Planer.

ELECTRONIC FEEDBACK

Your tool is equipped with an internal electronic feedback system that provides a "soft start", which will reduce the stresses that occur from a high torque start. The system also helps to keep the preselected speed virtually constant between no-load and load conditions.

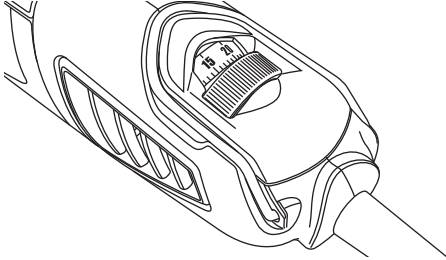
VARIABLE SPEED DIAL

Your tool is equipped with a variable speed dial. The speed may be adjusted during operation by presetting the dial on or between any one of the settings.

You can refer to the charts on page 19, 20, 21 and 22 to determine the proper speed, based on the material being worked and

the type of accessory being used. These charts enable you to select both the correct accessory and the optimum speed at a glance.

The speed of Rotary Tool is controlled by setting this dial on the housing.



Settings for Approximate Revolutions.

Switch Setting	Speed Range
5	5,000-7,000 RPM
*10	7,000-10,000 RPM
15	13,000-17,000 RPM
20	18,000-23,000 RPM
25	23,000-27,000 RPM
30	28,000-32,000 RPM
35	33,000-35,000 RPM

* Wire Brush Setting.

Needs for Slower Speeds

Certain materials, however, (some plastics and precious metals, for example) require a relatively slow speed because at high speed the friction of the accessory generates heat and may cause damage to the material.

Slow speeds (15,000 RPM or less) usually are best for polishing operations employing the felt polishing accessories. They may also be best for working on delicate projects as “eggery” work, delicate wood carving and fragile model parts. (All brushing applications require lower speeds to avoid wire discharge from the holder.)

Higher speeds are better for carving, cutting, routing, shaping, cutting dadoes or rabbets in wood.

Hardwoods, metals and glass require high speed operation, and drilling should also be done at high speeds.

The point to remember is this: Many applications and accessories in our line will provide the best performance at full speed, but for certain materials, applications, and accessories, you need slower speeds, which is the reason our variable speed models are available.

To aid you in determining the optimum operational speed for different materials and different accessories, we have constructed a series of tables that appear on page 19, 20, 21 and 22. By referring to these tables, you can discover the recommended speeds for each type of accessory. Look these tables over and become familiar with them.

Ultimately, the best way to determine the correct speed for work on any material is to practice for a few minutes on a piece of scrap, even after referring to the chart. You can quickly learn that a slower or faster speed is more effective just by observing what happens as you make a pass or two at different speeds. When working with plastic, for example, start at a slow rate of speed and increase the speed until you observe that the plastic is melting at the point of contact. Then reduce the speed slightly to get the optimum working speed.

Some rules of thumb in regard to speed:

1. Plastic and other materials that melt at low temperatures should be cut at low speeds.
2. Polishing, buffing and cleaning with any type of bristle brush must be done at speeds not greater than 15,000 RPM to prevent damage to the brush.
3. Wood should be cut at high speed.
4. Iron or steel should be cut at high speed. If a high speed steel cutter starts to chatter — this normally means it is running too slow.
5. Aluminum, copper alloys, lead alloys, zinc alloys and tin may be cut at various speeds, depending on the type of cutting being done. Use paraffin or other suitable lubricant on the cutter to prevent the cut material from adhering to the cutter teeth.

Increasing the pressure on the tool is not the answer when it is not performing as you think it should. Perhaps you should be using a different accessory, and perhaps an adjustment in speed would solve the problem. Leaning on the tool does not help.

Let speed do the work!

Use only Dremel® , high-performance accessories.

Maintenance Information

Service

⚠ WARNING Preventive maintenance performed by unauthorized personnel may result in misplacing of internal wires and components which could cause serious hazard. We recommend that all tool service be performed by a Dremel Service Facility.

⚠ WARNING To avoid injury from unexpected starting or electrical shock, always remove plug from wall outlet before performing service or cleaning.

CARBON BRUSHES

The brushes and commutator in your tool have been engineered for many hours of dependable service.

In order to prepare your brushes for use, run your tool at full speed for 5 minutes under no load. This will properly “seat” your brushes, which extends the life of both your brushes and your tool.

To maintain peak efficiency of the motor, we recommend every 40 - 50 hours the brushes be examined. Only genuine Dremel replacement brushes specially designed for your tool should be used.

MAINTENANCE OF REPLACEABLE BRUSHES ON MODEL 4000

The brushes should be inspected frequently when tools are used continuously. If your tool runs sporadically, loses power, makes unusual noises or runs at a reduced speed, check the brushes.

⚠ CAUTION To continue using the tool in this condition will permanently damage your tool.

Follow these steps to check/change the rotary tool brushes:

1. With the power cord unplugged, place the tool on a clean surface. Use the tool wrench as a screwdriver to remove the brush caps in a counter-clockwise direction (Figure C).
2. Remove the brushes from the tool by pulling on the spring that is attached to the carbon brush. If the brush is less than 1/8" long and the end surface of the brush that contacts the commutator is rough and/or pitted, they should be replaced. Check both brushes (Figure D).

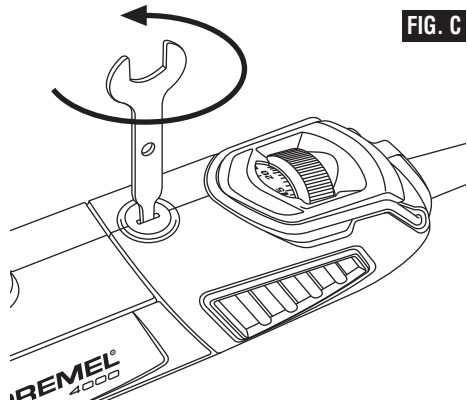


FIG. C

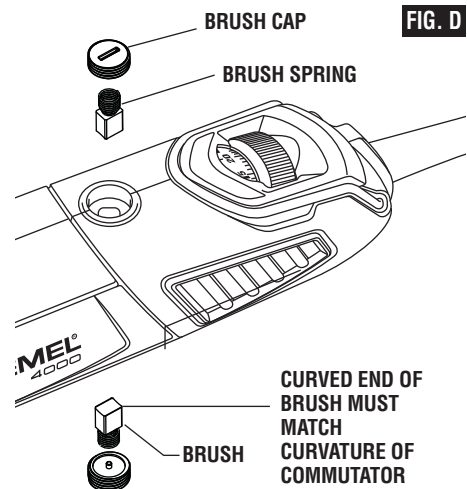


FIG. D

Usually the brushes will not wear out simultaneously. If one brush is worn out, replace both brushes. Make sure the brushes are installed as illustrated. The curved surface of the brush must match the curvature of the commutator. Also check that the brush caps sit flush with the tool housing.

3. After replacing brushes the tool should be run at no-load; place it on a clean surface and run it freely at full speed for 5 minutes before loading (or using) the tool. This will allow the brushes to “seat” properly and will give you more hours of life from each set of brushes. This will also extend the total life of your tool since the commutator surface will “wear” longer.

BEARINGS

Model 4000 has ball bearing construction. Under normal use no additional lubrication is required.

Cleaning

⚠ WARNING To avoid accidents always disconnect the tool from the power supply before cleaning or performing any maintenance. The tool may be cleaned most effectively with compressed dry air. **Always wear safety goggles when cleaning tools with compressed air.**

Ventilation openings and switch levers must be kept clean and free of foreign matter. Do not attempt to clean by inserting pointed objects through openings.

⚠ CAUTION Certain cleaning agents and solvents damage plastic parts. Some of these are: gasoline, carbon tetrachloride, chlorinated cleaning solvents, ammonia and household detergents that contain ammonia.

Extension Cords

If an extension cord is necessary, a cord with adequate size conductors that is capable of carrying the current necessary for your tool must be used. This will prevent excessive voltage drop, loss of power or overheating. Grounded tools must use 3-wire extension cords that have 3-prong plugs and receptacles.

NOTE: The smaller the gauge number, the heavier the cord.

RECOMMENDED SIZES OF EXTENSION CORDS 120 VOLT ALTERNATING CURRENT TOOLS

Tool's Ampere Rating	Cord Size in A.W.G.				Wire Sizes in mm ²			
	Cord Length in Feet				Cord Length in Meters			
	25	50	100	150	15	30	60	120
3-6	18	16	16	14	0.75	0.75	1.5	2.5
6-8	18	16	14	12	0.75	1.0	2.5	4.0
8-10	18	16	14	12	0.75	1.0	2.5	4.0
10-12	16	16	14	12	1.0	2.5	4.0	—
12-16	14	12	—	—	—	—	—	—

Dremel Accessories

⚠ WARNING Use only Dremel[®], high-performance accessories. Other accessories are not designed for this tool and may lead to personal injury or property damage.

The number and variety of accessories for the Rotary Tool are almost limitless. There is a category suited to almost any job you might have to do — and a variety of sizes and shapes within each category which enables you to get the perfect accessory for every need.



Collets

If you expect to use a variety of accessories, we recommend that in the beginning you purchase a complete set of four collets. Store these so that you will have the proper size of collet for any accessory or drill bit you want to

use. **Currently, the 1/8", 3/32", 1/32" and 1/16" collets accommodate all of the available Dremel accessories. 1/8" collets are included in most rotary tool kits.**

Mandrels

A mandrel is a shank with a threaded or screw head, which are required when you use polishing accessories, cutting wheels, sanding discs, and polishing points. The reason mandrels are used is that sanding discs, cutting wheels and similar accessories must be replaced frequently. The mandrel is a permanent shank, allowing you to replace only the worn head when necessary, thus saving the expense of replacing the shaft each time.



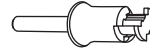
Screw Mandrel N° 401

This is a screw mandrel used with the felt polishing tip and felt polishing wheels. 1/8" shank.



Small Screw Mandrel N° 402

This is a mandrel with a small screw at its tip, and is used with emery and fiberglass cutting wheels, sanding discs and polishing wheels. 1/8" shank.



EZ Lock[™]

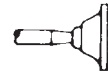
EZ Lock Mandrel N° 402

The Dremel EZ Lock makes accessory changes easy as PULL - TWIST - RELEASE. The one-piece mandrel design simplifies the process of changing cutting wheels, buffs and detail abrasive brushes (EZ Lock compatible accessories).



High Speed Cutters

Available in many shapes, high speed cutters are used in carving, cutting and slotting in wood, plastics and soft metals such as aluminum, copper and brass. These are the accessories to use for freehand routing or carving in wood or plastic, and for precision cutting. Made of high quality steel. 1/8" shank.



Aluminum Oxide Grinding Stones (red/brown)

Round, pointed, flat — you name the shape and there is one available in this category. These are made of aluminum oxide and cover virtually every possible kind of grinding application. Use them for sharpening lawn mower blades, screwdriver tips, knives, scissors, chisels and other cutting tools. Use to remove flash from metal castings, deburring any metal after cutting, smoothing welded joints, grinding off rivets and removing rust. These grinding stones can be resharped with a dressing stone. In machine shops, high speed drills and cutters normally are ground with aluminum oxide wheels. 1/8" shank.



Tungsten Carbide Cutters

These are tough, long-lived cutters for use on hardened steel, fired ceramics and other very hard materials. They can be used for engraving on tools and garden equipment. 1/8" shanks.



Engraving Cutters

This group has a wide variety of sizes and shapes, and are made for intricate work on ceramics (greenware), wood carvings, jewelry and scrimshaw. They often are used in making complicated printed circuit boards. They should not be used on steel and other very hard materials but are excellent on wood, plastic and soft metals. 3/32" shank.



Silicon Carbide Grinding Stones (blue/green)

Tougher than aluminum oxide points, these are made especially for use on hard materials such as glass and ceramics. Typical uses might be the removal of stilt marks and excess glaze on ceramics and engraving on glass. 1/8" shank.



Structured Tooth Tungsten Carbide Cutters

Fast cutting, needle-sharp teeth for greater material removal with minimum loading. Use on fiberglass, wood, plastic, epoxy and rubber. 1/8" shank.



Diamond Wheel Points

Excellent for fine detail work on wood, jade, ceramic, glass and other hard material. Bits are covered with diamond particles. 3/32" shanks. (Not recommended for drilling)

Dremel Accessories (Cont.)



Wire Brushes

Three different shapes of wire brushes are available. **For best results wire brushes should be used at speeds not greater than 15,000 RPM. Refer to Operating Speeds section for proper tool speed setting.** The three shapes come in three different materials: stainless steel, brass and carbon wire. The stainless steel perform well on pewter, aluminum, stainless steel, and other metals, without leaving "after-rust". Brass brushes are non sparking, and softer than steel; making them good for use on soft metal like gold, cooper and brass. The carbon wire brushes are good for general purpose cleaning.



Bristle Brushes

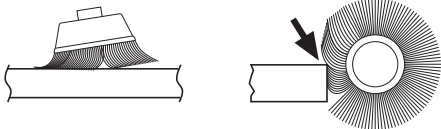
These are excellent cleaning tools on silverware, jewelry and antiques. The three shapes make it possible to get into tight corners and other difficult places. Bristle brushes can be used with polishing compound for faster cleaning or polishing.

Brushing Pressure

1. Remember, the tips of a wire brush do the work. Operate the brush with the lightest pressure so only the tips of the wire come in contact with the work.
2. If heavier pressures are used, the wires will be overstressed, resulting in a wiping action; and if this is continued, the life of the brush will be shortened due to wire fatigue.

INCORRECT:

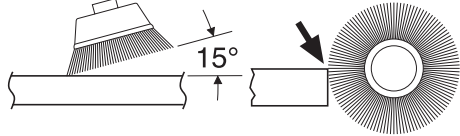
Excessive pressure can cause wire breakage.



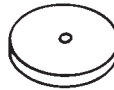
3. Apply the brush to the work in such a way that as much of the brush face as possible is in full contact with the work. Applying the side or edge of the brush to the work will result in wire breakage and shortened brush life.

CORRECT:

Wire tips doing the work.



EZ Lock™



Polishing Accessories

These include an impregnated polishing point and an impregnated polishing wheel for bringing metal surfaces to smooth finish; a felt polishing tip and felt polishing wheel, and cloth polishing wheel, all used for polishing plastics, metals, jewelry and small parts. Also included in this group is a polishing compound (No. 421) for use with the felt and cloth polishers.

Polishing points make a very smooth surface, but a high luster is obtained using felt or cloth wheels and polishing compound. **For best results polishing accessories should be used at speeds not greater than 15,000 RPM.**

No polishing compound is needed when using the 425 Polishing Wheel.



Aluminum Oxide Abrasive Wheels

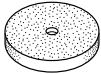
Use to remove paint, deburr metal, polish stainless steel and other metals. Available in medium grit. 1/8" shank.

Dremel Accessories (Cont.)



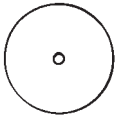
Sanding Accessories

Sanding discs in fine, medium and coarse grades are made to fit mandrel No. 402. They can be used for nearly any small sanding job you might have, from model making to fine furniture finishing. In addition, there is the drum sander, a tiny drum which fits into the Rotary Tool and makes it possible to shape wood, smooth fiberglass, sand inside curves and other difficult places, and other sanding jobs. You replace the sanding bands on the drum as they become worn and lose their grit. Bands come in fine medium and coarse grades. Flapwheels grind and polish flat or contoured surfaces. They are used most effectively as a finishing sander after heavier surface sanding and material removal is completed. Flapwheels come in fine and coarse grades. Buffs are a great finishing accessory for cleaning and light sanding. They work effectively on metal, glass, wood, aluminum and plastics. Coarse and medium buffs are sold together. Fine buffs are sold individually. Do not exceed 15,000 RPM in speed. 1/8" shank.



Grinding Wheel

Use for deburring, removing rust, and general purpose grinding. Use with Mandrel #402.



EZ Lock™



Cutting Wheels

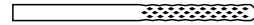
These thin discs of emery or fiberglass are

used for slicing, cutting off and similar operations. Use them for cutting off frozen bolt heads and nuts, or to reslot a screw head which has become so damaged that the screwdriver won't work in it. Fine for cutting BX cable, small rods, tubing, cable and cutting rectangular holes in sheet metal.



Drywall Cutting Bit

Gives you fast, clean cuts in drywall.



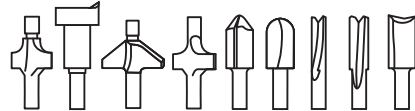
Tile Cutting Bit

Cuts ceramic wall tile, cement board, and plaster.



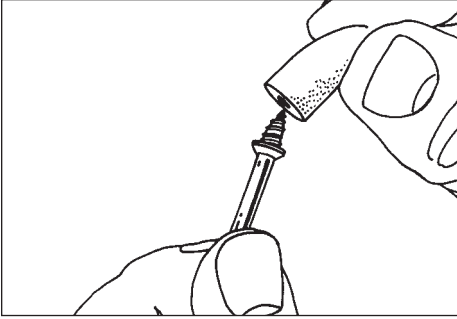
Spiral Cutting Bit

Cuts through all types of wood and wood composites.

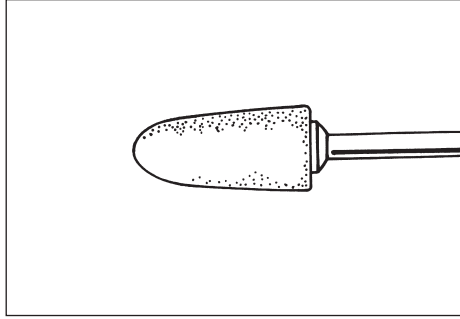


High Speed Router Bits

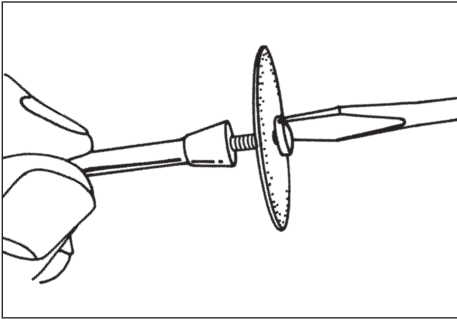
For routing, inlaying, and mortising in wood and other soft materials. Use with Dremel No. 335 Router attachment and No. 231 Shaper/Router table.



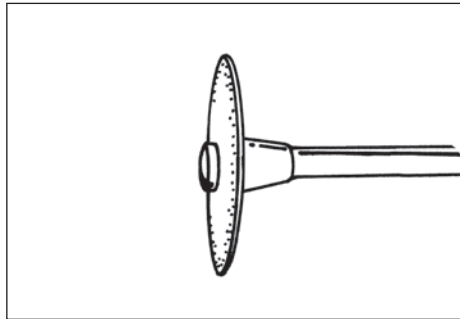
Mandrel No. 401 is used with the felt polishing tip and wheels. Thread the tip on to the screw carefully. The felt tip must thread



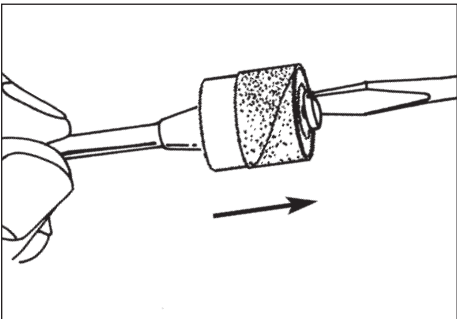
down straight on the screw Mandrel, and be turned all the way to the collar.



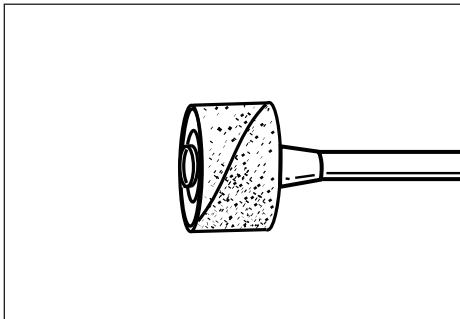
Mandrel N° 402 has a small screw at its tip, and is used with emery cutting wheels and sanding discs. Higher speeds, usually



maximum, are best for most work, including cutting steel. Which is shown here.



To replace a band on the **Drum Sander**, loosen the screw without removing it to contract the drum then slide the old band off. Slide the new sanding band on and then expand the drum by tightening the screw once again.



⚠ WARNING Before each use, check to make certain that all components are assembled to accessory shank and that the drum is sufficiently expanded to secure the band during use. If sanding band is loose on the drum during operation it may “fly” off and strike you or bystanders.

Speed Settings

- * Speed for light cuts; Caution - burning on deep grooves.
 • Depending on cutting direction relative to grain.

Note: Each number settings listed in the speed charts = 000 RPM's

High Speed Cutters

Catalog Number	Soft Wood	Hard Wood	Laminates /Plastic	Steel	Aluminum, Brass, etc.	Shell/ Stone	Ceramic	Glass
100, 121, 131	25-35	25-35	12-17	12-17	18-24	-	-	-
114, 124, 134, 144	25-35	12-17	9-11	12-17	12-17	-	-	-
190	25-35	25-35	9-11	12-17	25-35	-	-	-
118, 191, 192, 193, 194	25-35	25-35	9-11	12-17	25-35	-	-	-
116, 117, 125, 196	25-35	12-17	9-11	12-17	12-17	-	-	-
115	25-35	25-35	9-11	12-17	12-17	-	-	-
198	25-35	18-24	9-11	12-17	12-17	-	-	-
199	25-35	18-24	9-11	12-17	12-17	-	-	-

Engraving Cutters

Catalog Number	Soft Wood	Hard Wood	Laminates /Plastic	Steel	Aluminum, Brass, etc.	Shell/ Stone	Ceramic	Glass
105, 108	25-35	25-35	18-24	9-11	12-17	-	-	-
106, 109,	25-35	25-35	12-17	9-11	12-17	-	-	-
107, 110	25-35	25-35	12-17	9-11	12-17	-	-	-
111	25-35*	25-35*	18-24*	9-11	12-17	-	-	-
112	25-35*	25-35*	12-17*	9-11	12-17	-	-	-
113	25-35*	25-35*	12-17*	9-11	12-17	-	-	-

Diamond Wheel Points

Catalog Number	Soft Wood	Hard Wood	Laminates /Plastic	Steel	Aluminum, Brass, etc.	Shell/ Stone	Ceramic	Glass
7103, 7105, 7117, 7120, 7122, 7123, 7134, 7144	25-35	18-24	-	-	-	25-35	25-35	25-35

Structured Tooth Tungsten Carbide Cutters

Catalog Number	Soft Wood	Hard Wood	Laminates /Plastic	Steel	Aluminum, Brass, etc.	Shell/ Stone	Ceramic	Glass
9931, 9932, 9933, 9934, 9935, 9936	25-35	18-24	9-11	-	12-17	-	-	-

Speed Settings (Continued)

- * Speed for light cuts; Caution - burning on deep grooves.
 • Depending on cutting direction relative to grain.

Note: Each number settings listed in the speed charts = 000 RPM's

Tungsten Carbide Cutters

Catalog Number	Soft Wood	Hard Wood	Laminates /Plastic	Steel	Aluminum, Brass, etc.	Shell/ Stone	Ceramic	Glass
9901, 9902, 9903, 9904, 9905, 9906, 9909, 9910, 9911	25-35	18-24	9-11	25-35	12-17	18-24	18-35	18-35

High Speed Router Bits

Catalog Number	Soft Wood	Hard Wood	Laminates /Plastic	Steel	Aluminum, Brass, etc.	Shell/ Stone	Ceramic	Glass
612, 640	25-35*	18-24 •	-	-	-	-	-	-
615, 617, 618, 650, 652, 654	25-35* 25-35*	25-35 • 18-24 •	- -	- -	- -	- -	- -	- -

Silicon Carbide Grinding Stones (blue/green)

Catalog Number	Soft Wood	Hard Wood	Laminates /Plastic	Steel	Aluminum, Brass, etc.	Shell/ Stone	Ceramic	Glass
83142, 83322, 83702, 84922, 85422, 85602, 85622	-	-	12-17	25-35	9-11	12-17	25-35	25-35

Abrasive Wheels/Points

Catalog Number	Soft Wood	Hard Wood	Laminates /Plastic	Steel	Aluminum, Brass, etc.	Shell/ Stone	Ceramic	Glass
516	9-17	9-17	-	18-24	12-17	-	-	-
500	9-17	9-17	-	18-24	9-17	-	-	-
EZ541GR	-	-	-	12-24	9-17	-	-	-

Aluminum oxide grinding stones (orange/brown)

Catalog Number	Soft Wood	Hard Wood	Laminates /Plastic	Steel	Aluminum, Brass, etc.	Shell/ Stone	Ceramic	Glass
541,903, 911, 921, 932, 941, 945, 952, 953, 954, 971, 997, 8153, 8175, 8193, 8215	25-35	25-35	-	18-24	9-11	12-17	25-35	-

Speed Settings (Continued)

- * Speed for light cuts; Caution - burning on deep grooves.
 • Depending on cutting direction relative to grain.

Note: Each number settings listed in the speed charts = 000 RPM's

Chain Saw Sharpening Stones

Catalog Number	Soft Wood	Hard Wood	Laminates /Plastic	Steel	Aluminum, Brass, etc.	Shell/ Stone	Ceramic	Glass
453, 454, 455	-	-	-	25-35	-	-	-	-

Cutting Accessories

Catalog Number	Soft Wood	Hard Wood	Laminates /Plastic	Steel	Aluminum, Brass, etc.	Shell/ Stone	Ceramic	Glass
409, 420, 426 540, EZ409	-	-	5-11	25-35	25-35	25-35	25-35	-
543, EZ544	25-35	18-35	5-11	-	-	-	-	-
545, EZ545	18-35	18-24	-	-	-	12-24	12-24	-
560	For use on drywall. For best results, use at 30,000 rpm.							
561	12-35	12-35	5-11	-	25-35	-	-	-
562	-	-	-	-	-	-	25-35	-
EZ456	-	-	-	25-35	25-35	-	-	-
EZ476	-	-	5-11	-	-	-	-	-

Polishing Accessories

Catalog Number	Soft Wood	Hard Wood	Laminates /Plastic	Steel	Aluminum, Brass, etc.	Shell/ Stone	Ceramic	Glass
461, 462, 463	-	-	-	18-24	18-24	18-24	18-24	18-24
414, 422, 429	-	-	-	12-17	12-17	12-17	12-17	12-17
425, 427	-	-	-	18-24	18-24	-	-	-
423E	-	-	-	12-24	5-8	5-8	5-8	12-24

Wire Brushes

Catalog Number	Soft Wood	Hard Wood	Laminates /Plastic	Steel	Aluminum, Brass, etc.	Shell/ Stone	Ceramic	Glass
403, 404, 405	9-11	9-11	5-11	12-15	5-8	-	-	-
428, 442, 443	9-11	9-11	5-8	9-11	9-11	-	-	-
530, 531, 532	-	9-11	-	9-11	-	-	-	-
535, 536, 537	9-11	9-11	-	9-11	9-11	9-11	-	-

Sanding Bands and Discs

Catalog Number	Soft Wood	Hard Wood	Laminates /Plastic	Steel	Aluminum, Brass, etc.	Shell/ Stone	Ceramic	Glass
430, 431, 438	5-35	5-35	5-17	25-35	25-35	5-35	5-35	-
439, 440, 444	5-35	5-35	5-17	25-35	25-35	5-35	5-35	-
407, 408, 432	5-35	5-35	5-17	25-35	25-35	5-35	5-35	-
411, 412, 413	12-17	12-17	5-8	-	5-8	-	-	-

Speed Settings (Continued)

- * Speed for light cuts; Caution - burning on deep grooves.
 • Depending on cutting direction relative to grain.

Note: Each number settings listed in the speed charts = 000 RPM's

Flapwheels

Catalog Number	Soft Wood	Hard Wood	Laminates /Plastic	Steel	Aluminum, Brass, etc.	Shell/ Stone	Ceramic	Glass
502, 503, 504, 505	25-35	18-24	5-8	25-35	18-35	-	-	-

Finishing Abrasive Buffs

Catalog Number	Soft Wood	Hard Wood	Laminates /Plastic	Steel	Aluminum, Brass, etc.	Shell/ Stone	Ceramic	Glass
511E, 512E	12-15	12-15	9-11	12-15	12-15	-	-	-

Detail Abrasive Brushes

Catalog Number	Soft Wood	Hard Wood	Laminates /Plastic	Steel	Aluminum, Brass, etc.	Shell/ Stone	Ceramic	Glass
EZ471SA, EZ472SA, EZ473SA	5-17	5-17	5-11	5-17	5-17			

Drill Bit

Catalog Number	Soft Wood	Hard Wood	Laminates /Plastic	Steel	Aluminum, Brass, etc.	Shell/ Stone	Ceramic	Glass
150	25-35	18-35	5-11	-	12-17	-	-	-

Glass Drilling Bits

Catalog Number	Soft Wood	Hard Wood	Laminates /Plastic	Steel	Aluminum, Brass, etc.	Shell/ Stone	Ceramic	Glass
662DR, 663DR	-	-	-	-	-	5-17	5-17	5-17

Grout Removal Bits

Catalog Number	Soft Wood	Hard Wood	Laminates /Plastic	Steel	Aluminum, Brass, etc.	Shell/ Stone	Ceramic	Glass
569,570	For Use on Wall and Floor Grout						12-24	



Avertissements généraux concernant la sécurité des outils électroportatifs

⚠ AVERTISSEMENT Veuillez lire tous les avertissements et toutes les consignes de sécurité. Si l'on n'observe pas ces avertissements et ces consignes de sécurité, il existe un risque de choc électrique, d'incendie et/ou de blessures corporelles graves.

CONSERVEZ TOUS LES AVERTISSEMENTS ET TOUTES LES CONSIGNES DE SÉCURITÉ POUR RÉFÉRENCE FUTURE.

Dans les avertissements, le terme « outil électroportatif » se rapporte à votre outil branché sur le secteur (avec fil) ou à votre outil alimenté par piles (sans fil).

Sécurité du lieu de travail

Maintenez le lieu de travail propre et bien éclairé. Les risques d'accident sont plus élevés quand on travaille dans un endroit encombré ou sombre.

N'utilisez pas d'outils électroportatifs dans des atmosphères explosives, comme par exemple en présence de gaz, de poussières ou de liquides inflammables. Les outils électroportatifs produisent des étincelles qui risquent d'enflammer les poussières ou les vapeurs.

Éloignez les enfants et les visiteurs quand vous vous servez d'un outil électroportatif. Vous risquez une perte de contrôle si on vous distrait.

Sécurité électrique

Les fiches des outils électroportatifs doivent correspondre à la prise. Il ne faut absolument jamais modifier la fiche. N'utilisez pas d'adaptateur de prise avec des outils électroportatifs munis d'une fiche de terre. Le risque de choc électrique est moindre si on utilise une fiche non modifiée sur une prise qui lui correspond.

Évitez tout contact du corps avec des surfaces reliées à la terre tels que tuyaux, radiateurs, gazinières ou réfrigérateurs. Le risque de choc électrique augmente si votre corps est relié à la terre.

N'exposez pas les outils électroportatifs à la pluie ou à l'humidité. Si de l'eau pénètre dans un outil électroportatif, le risque de choc électrique augmente.

Ne maltraitez pas le cordon. Ne vous en servez jamais pour transporter l'outil électroportatif, pour le tirer ou pour le débrancher. Éloignez le cordon de la chaleur, des huiles, des arêtes coupantes ou des pièces mobiles. Les cordons abîmés ou emmêlés augmentent les risques de choc électrique.

Si vous utilisez un outil électroportatif à l'extérieur, employez une rallonge conçue pour l'extérieur. Ces rallonges sont faites pour l'extérieur et réduisent le risque de choc électrique.

S'il est absolument nécessaire d'utiliser l'outil électroportatif dans un endroit humide, utilisez une alimentation protégée par un disjoncteur de fuite de terre (GFCI). L'utilisation d'un disjoncteur GFCI réduit les risques de choc électrique.

Sécurité personnelle

Restez concentré, faites attention à ce que vous faites, et servez-vous de votre bon sens lorsque vous utilisez un outil électroportatif. N'employez pas d'outils électroportatifs quand vous êtes fatigué ou sous l'emprise de drogues, d'alcool ou de médicaments. Quand on utilise des outils électroportatifs, il suffit d'un moment d'inattention pour causer des blessures corporelles graves.

Utilisez des équipements de sécurité personnelle. Portez toujours une protection oculaire. Le port d'équipements de sécurité tels que des masques antipoussières, des chaussures de sécurité antidérapantes, des casques de chantier et des protecteurs d'oreilles dans des conditions appropriées réduira le risque de blessure corporelle.

Évitez les démarrages intempestifs. Assurez-vous que l'interrupteur est dans la position arrêt (Off) avant de brancher l'outil dans une prise de courant et/ou un bloc-piles, de le ramasser ou de le transporter. Le transport d'un outil électroportatif avec le doigt sur la gâchette ou le branchement de cet outil quand l'interrupteur est en position de marche (ON) est une invite aux accidents.

Enlevez toutes les clés de réglage avant de mettre l'outil électroportatif en marche. Si on laisse une clé sur une pièce tournante de l'outil électroportatif, il y a risque de blessure corporelle.

Ne vous penchez pas. Conservez toujours une bonne assise et un bon équilibre. Ceci vous permettra de mieux maîtriser l'outil électroportatif dans des situations inattendues.

Habillez-vous de manière appropriée. Ne portez pas de vêtements amples ou de bijoux. Attachez les cheveux longs. N'approchez pas les cheveux, les vêtements ou les gants des pièces en mouvement. Les vêtements amples, les bijoux ou les cheveux longs risquent d'être happés par les pièces en mouvement.

Si l'outil est muni de dispositifs permettant le raccordement d'un système d'aspiration et de collecte des poussières, assurez-vous que ces dispositifs sont raccordés et utilisés correctement. L'utilisation d'un dépoussiéreur peut réduire les dangers associés à l'accumulation de poussière.



Utilisation et entretien des outils électroportatifs

Ne forcez pas sur l'outil électroportatif. Utilisez l'outil électroportatif qui convient à la tâche à effectuer. L'outil qui convient à la tâche fait un meilleur travail et est plus sûr à la vitesse pour lequel il a été conçu.

Ne vous servez pas de l'outil électroportatif si son interrupteur ne parvient pas à le mettre en marche ou à l'arrêter. Tout outil électroportatif qui ne peut pas être commandé par son interrupteur est dangereux et doit être réparé.

Débranchez la fiche de la prise ou enlevez le bloc-pile de l'outil électroportatif avant tout réglage, changement d'accessoires ou avant de ranger l'outil électroportatif. De telles mesures de sécurité préventive réduisent le risque de démarrage intempestif de l'outil électroportatif.

Rangez les outils électroportatifs dont vous ne vous servez pas hors de portée des enfants et ne permettez pas à des personnes qui ne connaissent pas l'outil électroportatif ou qui ignorent ces consignes de s'en servir. Les outils électroportatifs sont dangereux dans les mains d'utilisateurs inexpérimentés.

Entretenez les outils électroportatifs. Vérifiez que les pièces mobiles sont alignées correctement et ne coincent pas. Vérifiez qu'il n'y a pas de pièces cassées ou d'autre circonstance qui risquent d'affecter le fonctionnement de l'outil électroportatif. Si l'outil est abîmé, faites-le réparer avant de l'utiliser. De nombreux accidents sont causés par des outils électroportatifs mal entretenus.

Maintenez les outils coupants affûtés et propres. Les outils coupants entretenus correctement et dotés de bords tranchants affûtés sont moins susceptibles de coincer et sont plus faciles à maîtriser.

Utilisez l'outil électroportatif, les accessoires et les embouts d'outil, etc. conformément à ces instructions, en tenant compte des conditions de travail et des travaux à réaliser. L'emploi d'outils électroportatifs pour des tâches différentes de celles pour lesquelles ils ont été prévus peut résulter en une situation dangereuse.

Entretien

Faites réparer votre outil électroportatif par un agent de service qualifié n'utilisant que des pièces de rechange identiques. Ceci assure que la sécurité de l'outil électroportatif est préservée.

Consignes de sécurité pour outils rotatifs

Tenez les outils électroportatifs par les surfaces de préhension isolées en exécutant une opération lorsque l'outil de coupe peut venir en contact avec des fils cachés ou son propre cordon. Le contact avec un fil sous tension rendra les parties métalliques exposées de l'outil sous tension et causera des secousses électriques à l'opérateur.

Utilisez des brides ou d'autres moyens pratiques de brider ou de supporter la pièce sur une plate-forme stable. Tenir la pièce à la main ou contre le corps est instable et risque de résulter en une perte de contrôle.

Les accessoires doivent être prévus pour au moins la vitesse recommandée sur l'étiquette d'avertissement de l'outil. Les meules et les autres accessoires utilisés à une vitesse supérieure à la vitesse nominale peuvent se détacher et provoquer des blessures.

Pour couper dans des murs existants ou autres endroits aveugles pouvant dissimuler des fils électriques, débranchez tous les fusibles ou les disjoncteurs alimentant ce lieu de travail.

Ne faites pas fonctionner l'arbre flexible avec une courbe prononcée. Lors du pliage, l'arbre peut produire une chaleur excessive sur la gaine ou la pièce manuelle. Le rayon minimum recommandé est de 127 mm.

Débranchez toujours le cordon de la prise de courant avant d'effectuer quelque réglage que ce soit ou de monter des accessoires. L'outil pourrait se mettre en marche par mégarde et causer des blessures graves.

Connaissez l'emplacement de l'interrupteur lorsque vous déposez l'outil ou lorsque vous le reprenez. Vous risquez d'actionner l'interrupteur par mégarde.

Maintenez toujours maintenez toujours fermement la pièce manuelle dans vos mains pendant le démarrage. Lors de son accélération pour atteindre le plein régime, le couple à réaction du moteur peut entraîner une torsion de l'arbre.

Portez toujours des lunettes de sécurité et un masque anti-poussières. N'utilisez l'outil qu'à un endroit bien aéré. L'utilisation de dispositifs de sécurité personnelle et le travail dans un environnement sûr réduisent les risques de blessures.

Après avoir changé les embouts ou effectué quelque réglage que ce soit, assurez-vous que l'écrou de la douille et le capuchon avant à clé intégrée EZ TWIST™ sont bien serrés tous les deux. Des dispositifs de réglage lâches peuvent bouger soudainement et causer ainsi une perte de contrôle entraînant une projection violente des composants en rotation.

Ne placez pas la main à proximité de l'embout qui tourne. Vous ne vous rendrez pas toujours compte de cette proximité.

Laissez les brosses tourner à la vitesse de fonctionnement pendant au moins une minute avant d'utiliser la meule. Durant cette période, personne ne doit se tenir devant la meule ou en ligne avec celle-ci.



Consignes de sécurité pour outils rotatifs - (suite)

Pendant la période de rodage, les poils ou fils de fer seront éjectés de la brosse.

Les brosses (de soies de porc ou métalliques) ne doivent jamais être utilisées au-dessus de 15 000 tr/mn. **Dirigez la décharge de la brosse métallique en rotation en sens opposé à vous.** Des petites particules et des petits fragments de fil peuvent être déchargés à grande vitesse durant l'action de « nettoyage » de ces brosses et peuvent se loger dans votre peau. À haute vitesse, les poils ou fils de fer mal attachés seront éjectés.

Portez des gants protecteurs et un masque de soudeur avec les brosses métalliques ou de soies de porc. Appliquez légèrement les brosses métalliques ou de soies de porc sur votre ouvrage, puisque seules les extrémités du fil métallique/des brosses font le travail. Une « lourde » pression sur les brosses entraînera une surcharge du fil métallique ou de la brosse, résultant en une action d'essuyage, et entraînera une décharge des brosses/du fil métallique.

Maniez soigneusement l'outil aussi bien que les meules individuelles pour éviter les éclats ou les fissurations. Posez une nouvelle meule si l'outil tombe pendant la rectification. N'utilisez pas une meule qui peut être endommagée. Les fragments d'une meule qui éclate durant le fonctionnement seront projetés à grande vitesse et pourraient frapper des personnes présentes ou vous-même.

N'utilisez jamais d'embouts émoussés ou abîmés. Les lames affilées doivent être maniées soigneusement. Les embouts abîmés peuvent se rompre brusquement durant l'usage. Les embouts émoussés nécessitent plus de force pour pousser l'outil, causant éventuellement un bris de l'embout.

Utilisez des pinces pour supporter l'ouvrage autant que possible. Ne tenez jamais un petit ouvrage d'une main et l'outil de l'autre main pendant que celui-ci est en usage. Prévoyez un espace suffisant, d'au moins 150 mm, entre votre main et l'embout qui tourne. Les pièces rondes, telles que tiges cylindriques, tuyaux ou tubes, ont tendance à rouler pendant qu'on les coupe et, de ce fait, l'embout peut « mordre » ou sauter vers vous. En fixant un petit ouvrage, vous pourrez utiliser vos deux mains pour contrôler l'outil.

Inspectez l'ouvrage avant de le couper. Avant de couper un ouvrage de forme irrégulière, planifiez votre travail de manière à ce que l'ouvrage ne glisse pas et ne vienne pas pincer l'embout qui sera arraché de votre main. Ainsi, si vous taillez du bois, assurez-vous de l'absence de clous ou de corps étrangers dans l'ouvrage. Sous l'effet du contact avec des clous ou corps étrangers, l'embout peut sauter.

Ne mettez jamais l'outil en marche alors que l'embout est enfoncé dans le matériau. Le tranchant

de l'embout peut se coincer dans le matériau et vous faire perdre le contrôle de l'outil.

Évitez de faire rebondir et de heurter la meule, surtout en travaillant des coins, des arêtes vives, etc. Ceci peut causer une perte de contrôle et un rebond.

Le sens d'avance de l'embout dans l'ouvrage lorsque vous taillez, détourez ou coupez est très important. Avancez toujours l'embout dans l'ouvrage dans le sens dans lequel le tranchant sort de l'ouvrage (ce qui correspond au sens d'éjection des copeaux). L'avance de l'outil dans le mauvais sens fait sortir le tranchant de l'embout de l'ouvrage et tire l'outil dans le sens de cette avance.

Si le matériau ou l'embout se grippe ou se bloque, mettez l'outil hors tension « OFF » par l'interrupteur. Attendez que toutes les pièces mobiles s'immobilisent et débranchez l'outil, et débloquent ensuite l'ouvrage bloqué. Si l'interrupteur de l'outil est laissé en position de marche « ON », l'outil pourrait se remettre en marche par mégarde et causer ainsi des blessures graves.

Ne laissez pas un outil en marche sans surveillance, mettez-le hors tension. L'outil peut être déposé en toute sécurité uniquement lorsqu'il s'est arrêté complètement.

Ne rectifiez et ne poncez pas à proximité de matières inflammables. Les étincelles provenant de la meule pourraient enflammer ces matières.

Ne touchez pas l'embout ou la douille après usage. Après usage, l'embout et la douille sont trop chauds pour être touchés à mains nues.

Nettoyez régulièrement les prises d'air de l'outil à l'aide d'air comprimé. Une accumulation excessive de métal en poudre à l'intérieur du carter du moteur peut causer des défaillances électriques.

Ne soyez pas dupé par la familiarité acquise par un usage fréquent de votre outil rotatif. N'oubliez pas qu'une fraction de seconde d'insouciance suffit à infliger des blessures graves.

Ne modifiez pas l'outil et n'en faites pas un usage erroné. Toute altération ou modification constitue un usage erroné et peut provoquer des blessures graves.

Ce produit n'est pas destiné à être utilisé comme fraise dentaire dans des applications médicales humaines ou vétérinaires. Des blessures graves peuvent s'ensuivre.

Lorsque vous utilisez les scies en acier, les disques de découpage, les couteaux à grande vitesse ou les couteaux au carbure de tungstène, assurez-vous que la pièce est toujours bien assujettie. Ne tentez jamais de tenir la pièce d'une seule main tout en utilisant l'un de ces accessoires. La raison en est que ces disques grippent lorsqu'ils sont même très légèrement





Consignes de sécurité pour outils rotatifs - (suite)

inclinés dans la rainure, et ils peuvent alors rebondir, vous faisant ainsi perdre le contrôle et causant des blessures graves. Votre autre main doit servir à stabiliser et guider la main qui tient l'outil. Lorsqu'un disque de découpage grippe, on peut généralement

s'attendre à ce qu'il se brise. Lorsque la scie en acier, les couteaux à grande vitesse ou le couteau au carbure de tungstène grippent, ils peuvent sauter hors de la rainure et vous pouvez perdre le contrôle de l'outil.

Avertissements supplémentaires concernant la sécurité

L'emploi d'un GFCI et de dispositifs de protection personnelle tels que gants et chaussures d'électricien en caoutchouc améliorent votre sécurité personnelle.

N'utilisez pas un outil conçu uniquement pour le C.A. sur une alimentation en C.C. Même si l'outil semble fonctionner, les composants électriques d'un outil prévu pour le C.A. tomberont probablement en panne et risquent de créer un danger pour l'utilisateur.

Maintenez les poignées sèches et exemptes d'huile et de graisse. On ne peut pas maîtriser un outil électroportatif en toute sécurité quand on a les mains glissantes.

Utilisez des brides ou d'autres moyens pratiques de brider ou de supporter la pièce sur une plate-forme stable. Tenir la pièce à la main ou contre le corps est instable et risque de résulter en une perte de contrôle.

Créez un agenda d'entretien périodique pour votre outil. Quand vous nettoyez un outil, faites attention de n'en démonter aucune pièce car il est toujours possible de mal remonter ou de pincer les fils internes ou de remonter incorrectement les ressorts de rappel des capots de protection. Certains agents de nettoyage tels que l'essence, le tétrachlorure de carbone, l'ammoniaque, etc. risquent d'abîmer les plastiques.

Risque de blessure pour l'utilisateur. Le cordon d'alimentation électrique ne doit être réparé que par un Centre de service usine de Dremel ou à un centre de service après-vente Dremel agréé.

▲ AVERTISSEMENT

Les travaux à la machine tel que ponçage, sciage, meulage, perçage et autres travaux du bâtiment peuvent créer des poussières contenant des produits chimiques qui sont des causes reconnues de cancer, de malformation congénitale ou d'autres problèmes reproductifs. Ces produits chimiques sont, par exemple :

- Le plomb provenant des peintures à base de plomb,
- Les cristaux de silices provenant des briques et du ciment et d'autres produits de maçonnerie, et
- L'arsenic et le chrome provenant des bois traités chimiquement.

Le niveau de risque dû à cette exposition varie avec la fréquence de ces types de travaux. Pour réduire l'exposition à ces produits chimiques, il faut travailler dans un lieu bien ventilé et porter un équipement de sécurité approprié tel que certains masques à poussière conçus spécialement pour filtrer les particules microscopiques.



Símbolos

IMPORTANTE: Es posible que algunos de los símbolos siguientes se usen en su herramienta. Por favor, estúdielos y aprenda su significado. La interpretación adecuada de estos símbolos le permitirá utilizar la herramienta mejor y con más seguridad.

Símbolo	Nombre	Designación/explicación
V	Volt	Tensión (potencial)
A	Ampere	Corriente
Hz	Hertz	Frecuencia (ciclos por segundo)
W	Watt	Potencia
kg	Kilogramo	Peso
min	Minuto	Tiempo
s	Segundo	Tiempo
∅	Diámetro	Tamaño de las brocas taladradoras, muelas, etc
n_0	Velocidad sin carga	Velocidad rotacional sin carga
n	Velocidad nominal	Máxima velocidad obtenible
.../min	Revoluciones o alternación por minuto	Revoluciones, golpes, velocidad de superficie, órbitas, etc., por minuto
0	Posición "off" (apagado)	Velocidad cero, par motor cero...
1, 2, 3, ... I, II, III,	Graduaciones del selector	Graduaciones de velocidad, par motor o posición. Un número más alto significa mayor velocidad
	Selector infinitamente variable con apagado	La velocidad aumenta desde la graduación de 0
	Flecha	Acción en la dirección de la flecha
	Corriente alterna	Tipo o una característica de corriente
	Corriente continua	Tipo o una característica de corriente
	Corriente alterna o continua	Tipo o una característica de corriente
	Construcción de clase II	Designa las herramientas de construcción con aislamiento doble.
	Terminal de toma de tierra	Terminal de conexión a tierra
	Símbolo de advertencia	Alerta al usuario sobre mensajes de advertencia
	Sello RBRC de Li-ion	Designa el programa de reciclaje de baterías de Li-ion
	Sello RBRC de Ni-Cd	Designa el programa de reciclaje de baterías de Ni-Cd
	Símbolo de lectura del manual	Alerta al usuario para que lea el manual
	Símbolo de uso de protección de los ojos	Alerta al usuario para que use protección de los ojos

Símbolos (continuación)

IMPORTANTE: Es posible que algunos de los símbolos siguientes se usen en su herramienta. Por favor, estúdielos y aprenda su significado. La interpretación adecuada de estos símbolos le permitirá utilizar la herramienta mejor y con más seguridad.



Este símbolo indica que esta herramienta está catalogada por Underwriters Laboratories.



Este símbolo indica que esta herramienta está reconocida por Underwriters Laboratories.



Este símbolo indica que Underwriters Laboratories ha catalogado esta herramienta indicando que cumple con las normas estadounidenses y canadienses.



Este símbolo indica que esta herramienta está catalogada por la Canadian Standards Association.



Este símbolo indica que la Canadian Standards Association ha catalogado esta herramienta indicando que cumple con las normas estadounidenses y canadienses.



Este símbolo indica que Intertek Testing Services ha catalogado esta herramienta indicando que cumple con las normas estadounidenses y canadienses.

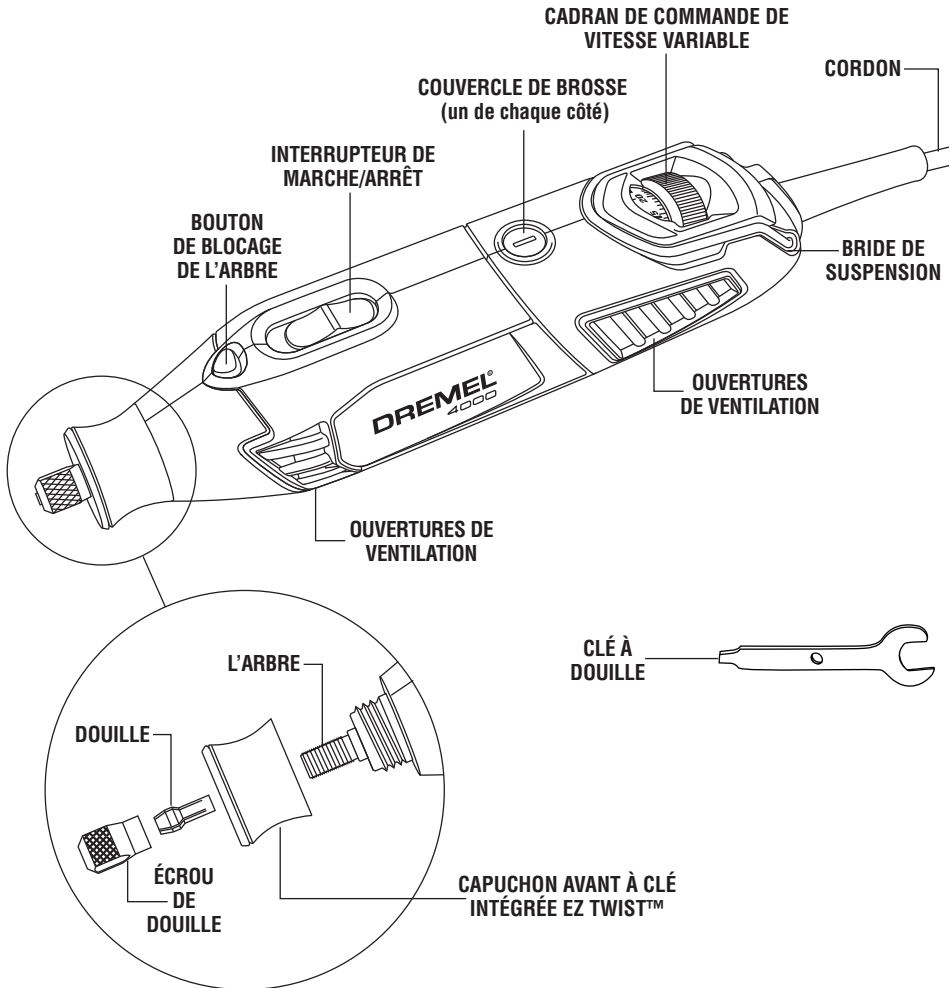


Este símbolo indica que esta herramienta cumple con la norma mexicana oficial (NOM).

Description fonctionnelle et spécifications

AVERTISSEMENT Débranchez la fiche de la prise de courant avant d'effectuer quelque assemblage ou réglage que ce soit ou de changer les accessoires. Ces mesures de sécurité préventive réduisent le risque d'une mise en marche accidentelle de l'outil.

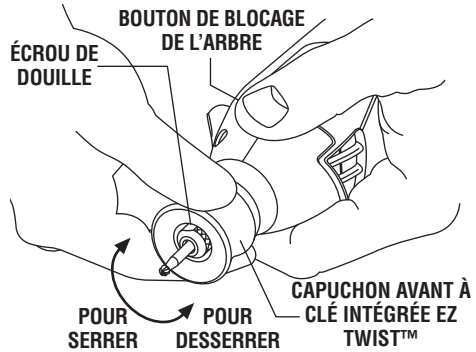
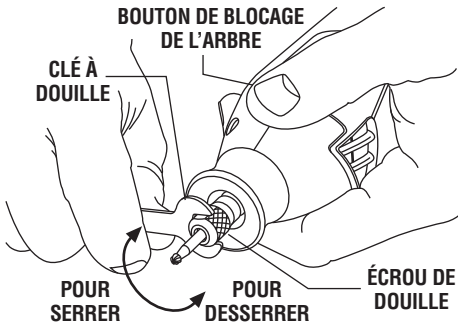
Outil rotatif à grande vitesse – Modèle 4000



Numéro de modèle	4000
Intensité nominale	120V ~ 50 - 60Hz
Ampérage nominal	1,6 A
Régime à vide	n_0 5 000-35 000/mn
Capacités de la douille	0,8 mm, 1,6 mm, 2,4 mm, 3,2 mm

Assemblage

⚠ AVERTISSEMENT Débranchez toujours l'outil rotatif avant de changer les accessoires ou les douilles, ou de faire l'entretien de votre outil rotatif.



ÉCROU DE DOUILLE — Pour desserrer, appuyez d'abord sur le bouton de blocage de l'arbre et tournez l'arbre à la main jusqu'à ce que le dispositif de blocage engage l'arbre, empêchant ainsi toute rotation ultérieure. Votre outil Dremel 4000 est fourni avec un mécanisme de blocage rapide de la douille. Ce mécanisme engage l'arbre de sortie à 8 endroits différents sur l'arbre pour faciliter le fonctionnement.

⚠ MISE EN GARDE N'appuyez pas sur le bouton de blocage de l'arbre pendant que l'outil rotatif est en marche.

L'arbre étant bloqué, utilisez la clé à douille pour desserrer l'écrou de douille, au besoin. L'écrou de douille doit être engagé sans serrer lors de l'insertion d'un accessoire. Changez les accessoires en insérant le nouvel accessoire le plus loin possible dans la douille de

serrage, réduisant ainsi les risques d'éjection ou de déséquilibre. L'arbre étant bloqué, serrez à la main l'écrou de douille jusqu'à ce que la tige de l'accessoire soit retenue solidement par la douille. **Évitez de serrer l'écrou de douille trop fort quand il n'y a pas d'embout.**

CAPUCHON AVANT À CLÉ INTÉGRÉE EZ TWIST™

Le capuchon avant de votre outil comporte une clé intégrée qui vous permet de serrer et de desserrer l'écrou de douille sans avoir besoin d'utiliser une clé à douille standard. Dévissez le capuchon avant de l'outil, alignez la pièce amovible en acier à l'intérieur du capuchon avec l'écrou de douille. Après avoir engagé le mécanisme de blocage de l'arbre, tournez le capuchon avant dans le sens des aiguilles d'une montre pour serrer ou dans le sens contraire des aiguilles d'une montre pour desserrer.

DOUILLES — Quatre tailles différentes de douilles (reportez-vous à l'illustration), adaptées à des tailles différentes de tiges, sont offertes pour votre outil rotatif. Pour le montage une autre douille, retirez l'écrou de la douille ainsi que la douille à remplacer. Insérez l'extrémité

non fendue de la douille dans l'ouverture à l'extrémité de l'arbre de l'outil. Remplacez l'écrou sur l'arbre.

⚠ MISE EN GARDE Utilisez toujours la douille de même grosseur que la tige de l'accessoire que vous désirez utiliser. Ne forcez jamais une tige trop grosse pour la douille.

Remarque : La plupart des kits d'outils rotatifs n'incluent pas tous les quatre formats de douilles.

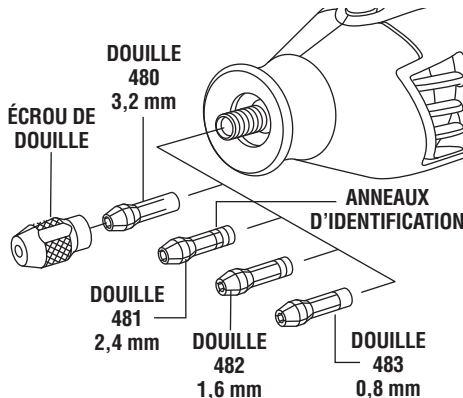


TABLEAU D'IDENTIFICATION DES DOUILLES DE SERRAGE — Les tailles des douilles de serrage peuvent être identifiées par les anneaux à l'extrémité arrière de la douille.

La douille de 0,8 mm possède un (1) anneau.
 La douille de 1,6 mm possède deux (2) anneaux.
 La douille de 2,4 mm possède trois (3) anneaux.
 La douille de 3,2 mm ne possède aucun anneau.
(Inclus dans la plupart des kits d'outils sur l'outil)

ÉQUILIBRAGE DES ACCESSOIRES — Pour le travail de précision, il est important que tous les accessoires



soient bien équilibrés (tout comme les pneus de votre voiture). Pour rectifier ou équilibrer un accessoire, desserrez légèrement l'écrou de la douille, et tournez l'accessoire ou la douille d'un quart de tour. Resserrez l'écrou de la douille et mettez l'outil rotatif en marche. Le son qui se fait entendre et le maniement de l'outil devraient vous indiquer si l'accessoire est bien équilibré. Continuez l'ajustement de cette façon jusqu'à ce que vous obteniez le meilleur équilibre. Pour maintenir l'équilibre des pointes de meule abrasive, avant chaque usage, alors que la pointe de meule est retenue

fermement dans la douille, mettez l'outil rotatif en marche et tenez la pierre à rectifier 415 légèrement appuyée sur la pointe de la meule en rotation. Ceci a pour effet d'éliminer les points élevés tout en rectifiant la pointe de meule pour un meilleur équilibre.

Vous pouvez suspendre votre outil au crochet de suspension pour le ranger ou lors de la pose de l'arbre flexible. Si vous n'utilisez pas le crochet de suspension, remettez-le en place d'un coup sec de façon qu'il ne gêne pas l'utilisation de l'outil.

Instructions

Dremel 4000

Merci d'avoir acheté l'outil rotatif Dremel 4000. Ce produit a été conçu par les nombreux utilisateurs des produits Dremel, qui utilisent leurs outils rotatifs avec passion chaque jour. Cet outil a été conçu pour vous permettre d'obtenir les meilleurs résultats possibles dans le cadre de vos divers projets.

L'outil Dremel 4000 est l'outil rotatif LE PLUS versatile sur le marché aujourd'hui. Il a une plage de vitesse très étendue, avec un moteur haute performance muni de contrôles électroniques qui permettent à cet outil de maintenir sa vitesse en charge. Cet outil a une conception symétrique, et il est pourvu d'un grand nombre de zones de préhension qui permettent à l'utilisateur de le tenir confortablement dans des positions variées. Le mécanisme de blocage rapide de la douille facilite le verrouillage de l'arbre de sortie pour permettre le changement des accessoires. Vous apprécierez les nombreuses applications sur lesquelles vous pourrez travailler avec l'outil rotatif Dremel 4000.

Introduction à l'outil rotatif

L'outil rotatif a un petit moteur électrique universel puissant, il se manie confortablement, et il a été conçu de manière à recevoir un vaste éventail d'accessoires, y compris roues abrasives, forets, brosses métalliques, polissoirs, fraises à graver, fers de toupie, disques de découpage et accessoires. Les accessoires sont offerts en différentes formes et ils vous permettent d'exécuter différentes tâches. À mesure que vous vous familiariserez avec l'éventail d'accessoires et leurs usages, vous constaterez la grande souplesse d'emploi de l'outil rotatif et découvrirez de nombreux usages auxquels vous n'aviez pas pensé auparavant.

Le véritable secret de l'outil rotatif tient à sa vitesse. Pour comprendre les avantages de sa grande vitesse, il vous faut savoir que la perceuse électrique portative standard fonctionne à des vitesses allant jusqu'à 2800 tours/minute. L'outil rotatif fonctionne à des vitesses allant jusqu'à 35 000 tours/minute. La perceuse électrique standard est un outil à basse vitesse mais à couple élevé ; l'outil rotatif est précisément l'inverse, un outil à grande vitesse mais à couple réduit. La différence principale du point de vue de l'utilisateur est que, sur les outils à grande vitesse, la vitesse alliée au fait que l'accessoire est monté dans la douille de serrage fait le

travail. Il ne vous est nullement nécessaire d'exercer une pression sur l'outil ; il vous suffit de tenir et de guider l'outil. Dans le cas des outils à basse vitesse, non seulement devez-vous guider l'outil, vous devez également exercer une pression sur celui-ci comme vous le faites, par exemple, en perçant un trou.

C'est cette grande vitesse, alliée à son format compact ainsi qu'au vaste éventail d'accessoires spéciaux, qui distingue l'outil rotatif des autres outils. Sa vitesse lui permet d'exécuter des tâches, telles que la coupe de l'acier trempé, la gravure du verre, etc., que des outils à basse vitesse ne peuvent accomplir.

Pour tirer le maximum de votre outil rotatif, il vous faut apprendre comment mettre cette vitesse à votre service. Pour en apprendre plus sur les utilisations et la polyvalence des accessoires Dremel, reportez-vous à ce manuel ou visitez notre site web à www.Dremel.com.

Utilisation de l'outil rotatif

Apprendre à utiliser l'outil rotatif, c'est d'abord en connaître le maniement. Tenez-le dans votre main pour en sentir le poids et l'équilibre. Habituez-vous à la forme conique de son boîtier qui permet d'empoigner l'outil rotatif comme s'il s'agissait d'un stylo ou d'un crayon (Figure A.)

Tenez toujours l'outil éloigné de votre visage. Certains accessoires peuvent avoir été endommagés durant la manutention et peuvent alors se séparer en morceaux lorsqu'ils atteignent une certaine vitesse. Ceci ne survient pas fréquemment, mais il vaut mieux prévenir.

Pratiquez d'abord sur des matériaux de rebut pour voir comment fonctionne l'action à haute vitesse de l'outil rotatif. N'oubliez pas que le travail est accompli par la vitesse de l'outil et par l'accessoire monté dans la douille. Vous ne devez pas appuyer sur l'outil ni pousser celui-ci pendant l'usage.

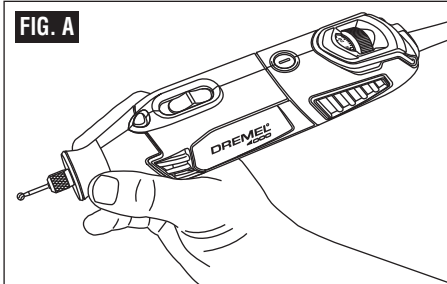
Abaissez plutôt l'accessoire en rotation, légèrement vers la pièce, en le laissant toucher l'endroit où vous voulez commencer la coupe (ou le ponçage ou la gravure, etc.). Ayez vos efforts sur le guidage de l'outil sur la pièce, en n'exerçant qu'une très faible pression de votre main. Laissez l'accessoire faire le travail.

Il est habituellement préférable de passer l'outil plusieurs fois plutôt que de tenter de faire tout le travail d'une seule fois. Ainsi, pour pratiquer une coupe, passez l'outil allant-venant sur la pièce, tout comme vous le feriez avec

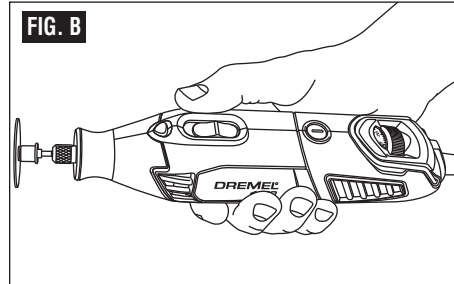


un petit pinceau. Coupez un peu de matériau à chaque passage jusqu'à ce que vous atteigniez la profondeur désirée. L'approche douce et adroite est celle qui convient le mieux à la plupart des tâches. Vous exercez

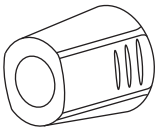
ainsi un meilleur contrôle, êtes moins susceptible de commettre des erreurs, et obtenez le meilleur rendement de l'accessoire.



Pour obtenir un meilleur contrôle dans le travail de précision, tenez l'outil rotatif comme un crayon, entre le pouce et l'index.



La méthode de maintien de l'outil dans la « paume de la main » s'utilise pour des opérations plus énergiques, comme le meulage de surfaces planes ou l'utilisation de disques de découpage.



Pour accomplir des travaux de précision, un embout avant séparé est disponible sur certains modèles. Cet embout a une forme conique qui permet à l'utilisateur de le pincer confortablement entre le pouce et l'index. Il assure une excellente ligne de visée pour effectuer des travaux détaillés tels que le gravage, la gravure et le marquage en relief.



MISE EN GARDE Chaque fois que vous prenez l'outil, veillez à ne pas couvrir les trous d'aération avec votre main, ce qui a pour effet d'empêcher l'air de circuler à l'intérieur et ainsi faire surchauffer le moteur.

Questions ou problèmes ? Composez le 1-800-437-3635 ou visitez notre site web à www.Dremel.com

Vitesses de fonctionnement

Utilisez une pièce d'essai afin de sélectionner la vitesse convenant à chaque tâche.

REMARQUE : Les changements de tension influent sur la vitesse. Une tension d'entrée réduite ralentira le régime de l'outil.

INTERRUPTEUR « MARCHÉ/ARRÊT » COULISSANT

L'outil est mis en marche en faisant glisser l'interrupteur coulissant, qui est situé sur le dessus du bâti du moteur, en position de marche.

POUR METTRE L'OUTIL EN MARCHÉ, faites glisser le bouton de l'interrupteur vers l'avant.

POUR ÉTEINDRE L'OUTIL, faites glisser le bouton de l'interrupteur vers l'arrière.

UN MOTEUR HAUTE PERFORMANCE

Votre outil est muni d'un moteur d'outil rotatif extrêmement performant. Ce moteur augmente la

versatilité de l'outil rotatif en permettant de connecter des accessoires additionnels tels que la raboteuse Dremel et la scie à usages multiples Dremel.

FEED-BACK ÉLECTRONIQUE

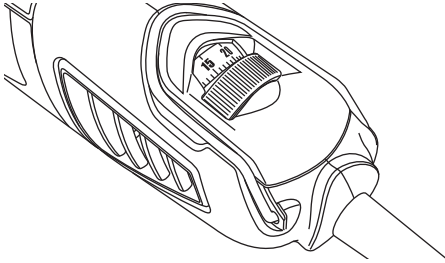
Votre outil est muni d'un système de feed-back électronique interne qui permet de réaliser des « démarrages en douceur » afin de réduire la fatigue qui résulte d'un démarrage à grande vitesse. Le système aide également à maintenir la vitesse sélectionnée virtuellement constante entre les conditions de fonctionnement à vide ou en charge.

CADRAN DE COMMANDE DE VITESSE VARIABLE

Votre outil est pourvu d'un cadran de commande de vitesse variable. La vitesse peut être contrôlée pendant le fonctionnement en réglant à l'avance le cadran sur l'une quelconque des positions ou entre deux positions quelconques.

Vous pouvez consulter les tableaux des pages 40, 41, 42 et 43 pour déterminer la vitesse appropriée en fonction des matériaux et du type d'accessoire utilisé. Ces tableaux vous permettent de sélectionner d'un coup d'œil tant l'accessoire correct que la vitesse optimale.

La vitesse de l'outil rotatif est contrôlée par le réglage de ce cadran sur le bâti.



Réglages pour les nombres approximatifs de révolutions suivants :

Réglage de l'interrupteur	Plage de vitesses
5	5 000-7 000 tr/mn
10	7 000-10 000 tr/mn
*15	13 000-17 000 tr/mn
20	18 000-23 000 tr/mn
25	23 000-27 000 tr/mn
30	28 000-32 000 tr/mn
35	33 000-35 000 tr/mn

* Réglage pour brosse métallique

Nécessité de vitesses plus lentes

Cependant, certains matériaux (certains plastiques et métaux précieux, par exemple) nécessitent une vitesse relativement lente parce que la friction de l'accessoire à haute vitesse produit de la chaleur et peut endommager le matériau.

Les basses vitesses (15 000 tours/minute ou moins) sont généralement préférables pour les opérations de polissage ayant recours à des accessoires de polissage en feutre. Elles peuvent également être préférables pour certains travaux délicats tels que la sculpture ou la gravure délicate dans le bois, et les pièces fragiles de modelage. Toutes les applications de brossage nécessitent une vitesse plus faible pour éviter que les fils de fer ne soient éjectés du moyeu de la brosse.

Les vitesses plus élevées sont préférables pour ciseler, couper, rainurer, façonner, couper des feuillures ou des moulures dans le bois.

Les bois durs, les métaux et le verre nécessitent une vitesse élevée, tout comme le perçage qui doit également être effectué à haute vitesse.

Le point à retenir est celui-ci : Un grand nombre d'applications et d'accessoires de notre gamme de produits donneront les meilleurs résultats à la vitesse maximum, mais pour certains matériaux, applications et accessoires, des vitesses inférieures peuvent s'avérer nécessaires, ce qui est la raison pour laquelle nos modèles à vitesse variable sont disponibles.

Pour vous aider à déterminer la vitesse de service optimale pour différents matériaux ou accessoires, nous avons préparé une série de tableaux qui apparaissent aux pages 40, 41, 42 et 43. En consultant ces tableaux, vous aurez tôt fait de découvrir les vitesses recommandées pour tous les genres d'accessoires. Examinez bien ces tableaux pour vous familiariser avec le contenu de chacun.

En dernière analyse, la meilleure façon de déterminer la bonne vitesse de travail sur un matériau donné est de procéder à des essais pendant quelques minutes sur une pièce de rebut, même après avoir consulté le tableau. Vous apprendrez vite qu'une vitesse plus lente ou plus rapide est plus efficace, par une simple observation de ce qui se produit lorsque vous passez l'outil une ou deux fois à des vitesses différentes. Ainsi, lorsque vous travaillez avec une matière plastique, commencez à basse vitesse et augmentez cette vitesse jusqu'à ce que vous constatiez que la matière plastique fond au point de contact. Diminuez la vitesse progressivement afin d'obtenir la vitesse de travail optimale.

Certaines règles concernant la vitesse :

1. Les matériaux plastiques et les autres matériaux qui fondent à basses températures doivent être coupés à basses vitesses.
2. Le polissage, l'émeulage et le nettoyage à l'aide d'un type quelconque de brosse métallique doivent se faire à des vitesses non supérieures à 15 000 tours/minute afin de prévenir les dommages à la brosse.
3. Le bois doit être coupé à haute vitesse.
4. Le fer ou l'acier doit être coupé à haute vitesse. Si un couteau à acier rapide commence à trembler, c'est généralement une indication qu'il tourne trop lentement.
5. L'aluminium, les alliages de cuivre, les alliages de plomb, les alliages de zinc, et l'étain peuvent être coupés à n'importe quelle vitesse, selon le genre de coupe que l'on effectue. Utilisez de la paraffine ou tout autre lubrifiant convenable sur le couteau pour éviter que le matériau coupé n'adhère aux dents de l'outil de coupe.

Il ne suffit pas d'accroître la pression sur l'outil lorsqu'il ne coupe pas à votre satisfaction. Peut-être devriez-vous utiliser un accessoire différent, et peut-être qu'un ajustement de vitesse solutionnerait le problème. Faire pression sur l'outil n'est d'aucune aide.

Laissez la vitesse faire le travail !

Utilisez uniquement des accessoires Dremel® ultra-performants.

Renseignements sur l'entretien

Entretien

⚠ AVERTISSEMENT L'entretien préventif effectué par des employés non autorisés peut entraîner un positionnement erroné des composants et des fils internes, et ainsi causer des dangers sévères. Il est recommandé que l'entretien et la réparation de nos outils soient confiés à un centre de service-usine Dremel ou à un centre de service après-vente Dremel agréé.

⚠ AVERTISSEMENT Pour écarter tout risque de blessures causées par le démarrage intempestif de l'outil ou une décharge électrique, débranchez toujours l'outil de la prise murale avant d'effectuer une maintenance ou un nettoyage.

BALAIS DE CHARBON

Les balais et le collecteur de votre outil ont été conçus pour donner plusieurs heures de fonctionnement sans aléas.

Afin de préparer les balais en vue de leur utilisation, faites fonctionner votre outil à pleine vitesse à vide pendant cinq minutes. Ceci permettra de positionner vos balais bien à leur place, ce qui prolongera la durée de vie des balais et de votre outil.

Pour assurer le rendement optimal du moteur, nous vous recommandons d'inspecter les balais toutes les 40 – 50 heures. Vous ne devriez utiliser que les balais de rechange d'origine Dremel qui conviennent spécialement à votre outil.

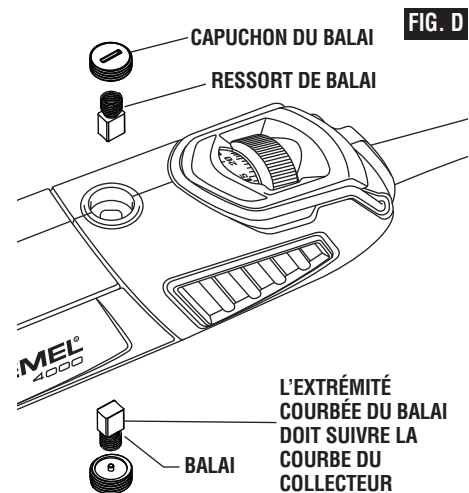
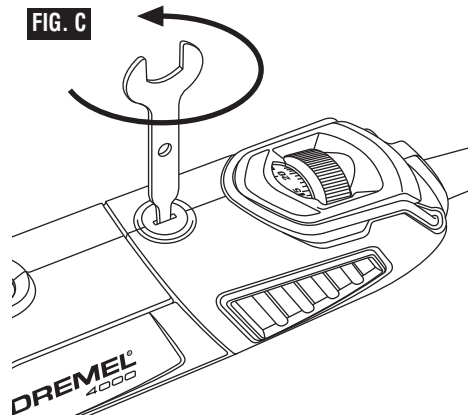
ENTRETIEN DES BALAIS REMPLAÇABLES

Modèle 4000

Les balais doivent être inspectés fréquemment lorsque les outils sont utilisés de façon continue. Si l'outil ne tourne que sporadiquement, perd de la puissance, produit des bruits inusités ou tourne à vitesse réduite, vérifiez les balais.

⚠ MISE EN GARDE Si vous continuez à utiliser l'outil dans cet état, vous pourriez l'abîmer de façon permanente.

1. Après avoir débranché le cordon d'alimentation, placez l'outil sur une surface propre. Utilisez l'extrémité tournevis de la clé fournie pour retirer les couvercles des balai en tournant dans le sens inverse des aiguilles d'une montre (Figure C).
2. Retirez les balais de l'outil en tirant sur les ressorts qui sont fixés aux balai en charbon. Si le balai a moins de 3,2 mm de long et que le bout du balai qui vient en contact avec le commutateur est rugueux et/ou piqué, le balai doit être remplacé. Vérifiez les deux balais (Figure D).



Habituellement, les balais ne s'usent pas simultanément mais, si l'un d'eux est usé, remplacez les deux. Assurez-vous que les balais sont posés de la manière illustrée. La surface courbée du balai doit suivre la courbe du commutateur. Assurez-vous également que les capuchons de balais reposent au ras du bâti de l'outil.

3. Après avoir remplacé les balais, on doit faire tourner l'outil sans charge ; placez-le sur une surface propre et laissez-le tourner librement pendant cinq minutes sans charger (ou utiliser) l'outil. Les balais pourront ainsi se « caler » adéquatement, et chaque jeu de balais durera plus longtemps. La vie totale de votre outil s'en trouvera également prolongée car la surface du commutateur durera plus longtemps.

ROUEMENTS

Le modèle 4000 est construit avec des roulements à billes. Aucune lubrification supplémentaire n'est requise dans des conditions normales d'utilisation.

Nettoyage

AVERTISSEMENT Pour éviter le risque d'accidents, débranchez toujours l'outil de la prise de courant avant de procéder au nettoyage ou à l'entretien. Vous pouvez très bien le nettoyer à l'air comprimé. Dans ce cas, portez toujours des lunettes de sécurité.

Gardez les prises d'air et les interrupteurs propres et libres de débris. N'essayez pas de les nettoyer en introduisant des objets pointus dans leurs ouvertures.

MISE EN GARDE Certains agents de nettoyage et certains dissolvants abîment les pièces en plastique. Citons parmi ceux-ci : l'essence, le tétrachlorure de carbone, les dissolvants de nettoyage chlorés, l'ammoniaque ainsi que les détergents domestiques qui en contiennent.

Rallonges

AVERTISSEMENT Si un cordon de rallonge s'avère nécessaire, vous devez utiliser un cordon avec conducteurs de dimension adéquate pouvant porter le courant nécessaire à votre outil. Ceci préviendra une chute excessive de tension, une perte de courant ou une surchauffe. Les outils mis à la terre doivent utiliser des cordons de rallonge trifilaires pourvus de fiches à trois broches ainsi que des prises à trois broches.

REMARQUE: Plus le calibre est petit, plus le fil est gros.

DIMENSIONS DE RALLONGES RECOMMANDÉES OUTILS 120 VOLTS COURANT ALTERNATIF

Intensité nominale de l'outil	Calibre A.W.G.				Calibre en mm ²			
	Longueur en pieds				Longueur en mètres			
	25	50	100	150	15	30	60	120
3-6	18	16	16	14	0,75	0,75	1,5	2,5
6-8	18	16	14	12	0,75	1,0	2,5	4,0
8-10	18	16	14	12	0,75	1,0	2,5	4,0
10-12	16	16	14	12	1,0	2,5	4,0	—
12-16	14	12	—	—	—	—	—	—

Accessoires Dremel

AVERTISSEMENT Utilisez uniquement des accessoires Dremel® ultra-performants. Aucun des autres accessoires n'a été conçu pour cet outil. Leur usage pourrait occasionner des blessures corporelles ou des dommages matériels.

Le nombre et l'assortiment d'accessoires pour l'outil rotatif sont pratiquement illimités. Il existe une catégorie convenant à presque toutes les tâches que vous avez à accomplir — ainsi qu'un éventail de tailles et de formes à l'intérieur de chaque catégorie vous permettant ainsi d'obtenir l'accessoire parfait qui satisfait tous les besoins.



Douilles

Si vous vous attendez à utiliser différents accessoires, nous vous recommandons d'acheter initialement un jeu complet de quatre douilles. Rangez-les de manière à avoir la douille de taille appropriée pour tout accessoire ou foret que vous désirez utiliser. **Les douilles de 3,2**

mm, 2,4 mm, 0,8 mm et 1,6 mm peuvent actuellement recevoir tous les accessoires Dremel offerts. Les douilles d'1/8 po sont comprises dans la plupart des kits d'outils rotatifs.

Mandrins

Un mandrin est une tige à embout fileté ou à vis qui est nécessaire pour l'utilisation d'accessoires de polissage, de disques de découpage, de disques de ponçage ou de meules de polissage. Les mandrins sont utilisés parce que les disques de ponçage, les disques de découpage et les accessoires similaires doivent être remplacés souvent. Le mandrin est une tige permanente, ce qui vous permet de ne remplacer que la tête usée quand cela est nécessaire et d'économiser les frais de remplacer l'arbre chaque fois.



Mandrin à vis N° 401

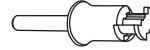
Il s'agit d'un mandrin à vis utilisé avec la pointe de polissage en feutre et les disques de polissage en feutre. Tiges de 3,2 mm.



Mandrin à petite vis N° 402

Il s'agit d'un mandrin avec une petite vis à son extrémité. Il s'utilise avec les disques de découpage en émeri et en fibre de verre, les disques de ponçage et les disques de polissage. Tiges de 3,2 mm.

EZ Lock™



Mandrin EZ Lock N° 402

Le mandrin Dremel EZ Lock rend les changements d'accessoires aussi faciles que TIRER - TOURNER - RELÂCHER. Le mandrin de conception monobloc simplifie le processus de changement des disques, des buffles et des brosses abrasives de finition. (Accessoires compatibles avec EZ Lock)



Couteaux à grande vitesse

Offerts en un grand nombre de formes, les couteaux à grande vitesse servent à ciseler, couper et mortaiser dans le bois, les matières plastiques et les métaux mous tels que l'aluminium, le cuivre et le laiton. Ce sont les accessoires à utiliser pour le détourage à main libre ou le ciselage dans le bois ou le plastique, ainsi que pour le coupage de précision. Faits d'acier de haute qualité. Tiges de 3,2 mm.



Couteaux au carbure de tungstène

Ces couteaux résistants et de longue durée sont destinés à être utilisés sur l'acier trempé, la céramique cuite et autres matériaux très durs. On peut s'en servir pour graver les outils et le matériel de jardinage. Tiges de 3,2 mm.



Couteaux à graver

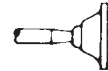
Ce groupe présente un vaste éventail de tailles et de formes, et ces couteaux sont conçus pour le travail délicat sur la céramique (à l'état vert), les sculptures en bois, les bijoux et la gravure sur coquillages, os, etc. On les utilise souvent dans le travail complexe de production des plaquettes à circuits imprimés. Ils ne doivent pas être utilisés sur l'acier et autres matériaux très durs, mais ils sont excellents sur le bois, les matières plastiques et les métaux mous. Ils nécessitent des tiges de 2,4 mm.



Couteaux au carbure de tungstène (aux dents nervurées)

Les dents très affilées, à coupe rapide, enlèvent une plus grande quantité de matériau tout en se chargeant le moins possible. S'emploient sur la fibre de verre, le

bois, les matières plastiques, l'époxyde et le caoutchouc. Tiges de 3,2 mm.



Meules en oxyde d'aluminium (rouge/brun)

Rondes, pointues, plates : elles sont offertes dans toutes les formes. Ces meules sont faites d'oxyde d'aluminium et elles couvrent pratiquement chaque application de meulage. Vous pouvez les utiliser pour aiguïser les lames de tondeuse à gazon, les pointes de tournevis, les couteaux, les ciseaux, les burins et autres outils de coupe. Utilisez-les pour enlever les bavures sur les pièces coulées en métal, ébarber tout métal après la coupe, lisser les joints soudés, meuler les rivets et enlever la rouille. Ces meules peuvent être ré-aiguïssées avec une pierre d'ébarbage. Dans les ateliers d'usinage, les forets et les couteaux pour usage à grande vitesse sont généralement meulés à l'aide de disques en oxyde d'aluminium. Tiges de 3,2 mm.



Meules au carbure de silicium (bleu/vert)

Plus robustes que les pointes en oxyde d'aluminium, ces meules sont conçues spécialement pour usage sur les matériaux durs tels que le verre et la céramique. On les utilise souvent pour enlever les marques et l'excès de glaçure sur la céramique, ainsi que la gravure sur le verre. Tiges de 3,2 mm.



Pointes de meule en diamant

Excellentes pour le travail de précision sur le bois, le jade, la céramique, le verre et autres matériaux durs. Les mèches sont recouvertes de particules de diamant. Tiges de 2,4 mm.

Accessoires Dremel - (suite)



Brosses métalliques

Trois formes différentes de brosses en fil métallique sont offertes. **Pour obtenir les meilleurs résultats, les brosses en fil métallique doivent être utilisées à des vitesses ne dépassant pas 15 000 tr/mn. Référez-vous au chapitre sur les vitesses d'utilisation pour déterminer le réglage approprié de l'outil.** Les trois formes sont offertes en trois matériaux différents : acier inoxydable, laiton et fil de carbone. L'acier inoxydable est efficace sur l'étain, l'aluminium, l'acier inoxydable et les autres métaux, sans laisser d'« après-rouille ». Les brosses en laiton ne forment pas d'étincelles et sont plus douces que l'acier, ce qui les rend adaptées pour usage sur les métaux mous tels que l'or, le cuivre et le laiton. Les brosses en fil de carbone sont bonnes pour le nettoyage à usage général.



Brosses de soies de porc

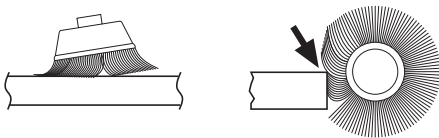
Ces brosses conviennent parfaitement bien au nettoyage de l'argenterie, des bijoux et des objets d'antiquité. Les trois formes permettent d'atteindre les angles étroits et autres endroits difficiles d'accès. Les brosses de soies de porc peuvent être utilisées avec la pâte à polir pour accélérer le nettoyage ou le polissage.

Pression de brossage

1. Souvenez-vous : ce sont les pointes d'une brosse métallique qui font le travail. N'appliquez qu'une pression très légère sur la brosse de sorte que seules les pointes des poils viennent en contact avec la pièce.
2. Si vous appliquez une pression trop importante, les poils seront surchargés, résultant en un balayage de la pièce. Si ceci se prolonge, la durée de vie de la brosse s'en trouvera écourtée à cause de la fatigue des poils.

INCORRECT :

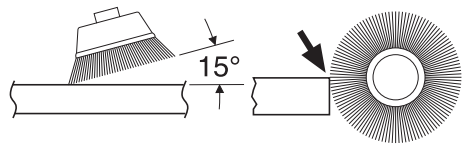
une pression excessive risquerait de casser les fils



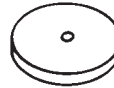
3. Appliquez la brosse sur la pièce de manière à ce que la plus grande partie possible de sa tranche soit en contact total avec la pièce. Appliquer le côté ou le bord de la brosse sur la pièce résulterait en une cassure des poils et écourterait sa durée de vie.

CORRECT :

les pointes de la brosse font le travail



EZ Lock™



Accessoires de polissage

Ceux-ci comprennent une pointe ainsi qu'un disque à polir, tous deux imbibés, pour lisser les surfaces métalliques ; une pointe et un disque en feutre ainsi qu'un disque en tissu servant tous à polir les matières plastiques, les métaux et les petites pièces de bijouterie. Ce groupe comprend également une pâte à polir (N° 421) pour usage avec les disques à polir en feutre et en tissu.

Les pointes de polissage produisent une surface très lisse, mais la surface est plus éclatante lorsque l'on utilise les disques en feutre ou en tissu et la pâte à polir. **Pour obtenir les meilleurs résultats, les accessoires de polissage doivent être utilisés à des vitesses non supérieures à 15 000 tr/mn.**

Aucune pâte à polir n'est nécessaire si on utilise le disque à polir N° 425.



Meules abrasives en oxyde d'aluminium

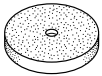
Servent à enlever la peinture, ébarber le métal et polir l'acier inoxydable ainsi que les autres métaux. Offertes en grain moyen. Tige de 3,2 mm.

Accessoires Dremel - (suite)



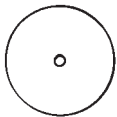
Accessoires de ponçage

Les disques de ponçage, à grains fin, moyen et gros, sont adaptés au mandrin N° 402. Ils peuvent être utilisés pour pratiquement toute petite tâche de ponçage à exécuter, allant de la fabrication de maquettes à la finition de beaux meubles. Ces accessoires comprennent également le tambour ponceur, petit tambour qui s'insère dans l'outil rotatif et permet de façonner le bois, de lisser la fibre de verre, de poncer l'intérieur des courbes et autres endroits difficiles, et d'accomplir d'autres tâches de ponçage. Vous remplacez les bandes de ponçage sur le tambour à mesure qu'elles s'usent et perdent leur grain. Les bandes sont offertes en grains fin, moyen et gros. Les disques lamellaires meulent et polissent les surfaces plates ou à contours. Ils peuvent être utilisés le plus efficacement possible en tant que ponceuses de finition après avoir procédé à un ponçage de surface et à une extraction de matériaux plus intensifs. On peut trouver des disques lamellaires à grain fin et à gros grain. Les buffles sont un excellent accessoire de finition pour le nettoyage et le ponçage léger. Ils sont d'un usage efficace sur le métal, le verre, le bois, l'aluminium et le plastique. Les buffles à gros grain et à grain moyen sont vendus ensemble. Les buffles à grain fin sont vendus individuellement. Ne dépassez pas une vitesse de 15 000 tr/mn. Tiges de 3,2 mm.



Meule

Utilisez pour ébavurer, enlever la rouille et la rectification à usage général. Utiliser avec le mandrin N° 402.



Disques de découpage

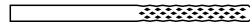
Ces disques minces en fibre de verre ou émeri servent à trancher, couper et autres opérations du genre. Utilisez-

les pour couper les têtes de boulon et écrous gelés, ou pour refaire la fente d'une tête de vis qui est si abîmée que le tournevis n'y a plus de prise. Très efficaces pour couper les câbles BX, les petites tiges, les tubes et les câbles, ainsi que pour pratiquer des trous rectangulaires dans la tôle.



Embout (mèche) pour coupe de cloisons sèches

Vous donne des coupes rapides et nettes dans les murs secs.



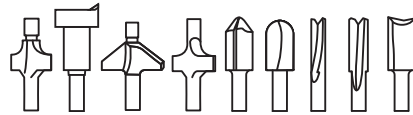
Embout (mèche) pour coupe de carrelage

Coupe le carrelage des murs en céramique, les plaques de ciment et le plâtre.



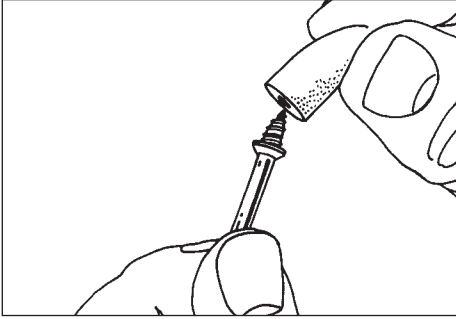
Embout (mèche) pour coupe en spirale

Coupe à travers tous les types de bois et bois composites.

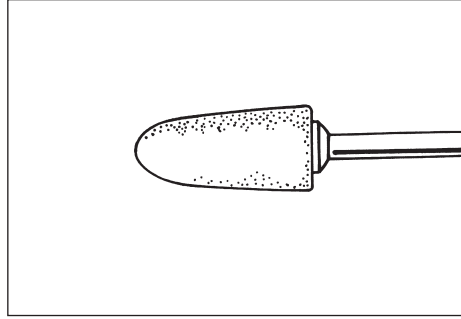


Embouts (fers) de toupie en acier rapide

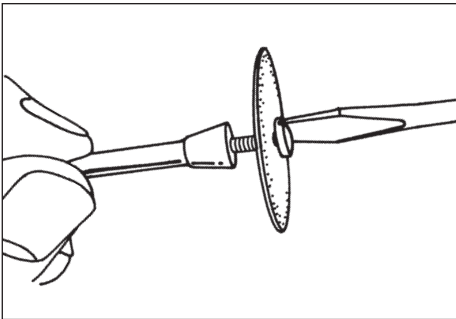
Pour le défonçage, la marqueterie et le mortaisage du bois et autres matériaux mous. Utilisez-les avec l'accessoire de défonçage Dremel No 335 et la table de toupillage Dremel N° 231.



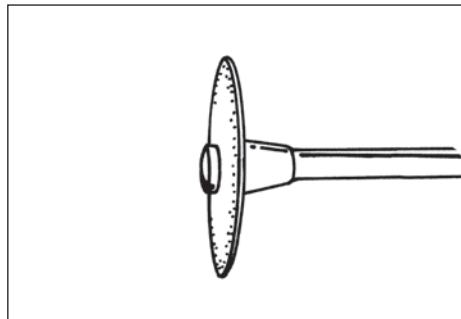
Le mandrin N° 401 s'emploie avec les meules et l'embout de polissage en feutre. Insérez l'embout sur la vis soigneusement. L'embout en feutre doit descendre



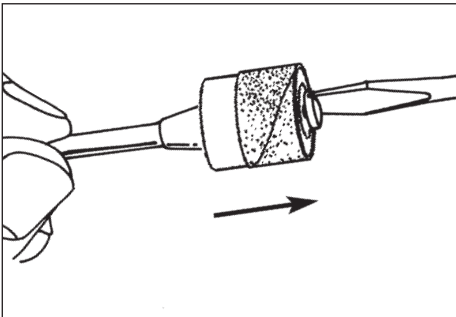
droit sur le mandrin de la vis, et il doit être tourné complètement jusqu'à la douille.



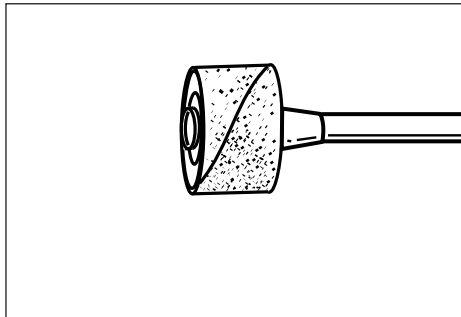
Le mandrin N° 402 possède une petite vis à son extrémité, et cette vis est utilisée avec les patins de ponçage et les meules de coupe à l'émeri. Les vitesses



élevées, habituellement les vitesses maximales, sont celles qui conviennent le mieux à la plupart des tâches, y compris la coupe de l'acier qui est illustrée ici.



Pour remplacer une bande sur la **ponceuse à tambour**, desserrez la vis sans la retirer pour contracter le tambour, puis faites glisser la vieille bande à l'extérieur. Faites glisser la nouvelle bande de ponçage sur la ponceuse, puis donnez de l'expansion au tambour en serrant à nouveau la vis.



⚠ AVERTISSEMENT Avant chaque usage, vérifiez pour vous assurer que tous les composants sont assemblés sur la tige de l'accessoire et que le tambour est suffisamment étendu pour fixer solidement la bande durant l'utilisation. Si la bande de ponçage est lâche sur le tambour durant le fonctionnement, elle peut être projetée et vous frapper ou frapper les personnes présentes.

Réglages de vitesse

- * Vitesse pour coupes légères, risque de brûlures sur rainures profondes.
 • Selon le sens de coupe par rapport au grain du bois.

Remarque : Dans les tableaux de vitesses, chaque nombre pour les réglages = milliers de tr/mn

Couteaux à coupe rapide

Numéro de catalogue	Bois tendre	Bois dur	Stratifiés / plastique	Acier	Aluminium, laiton, etc.	Coquille / pierre	Céramique	Verre
100, 121, 131	25-35	25-35	12-17	12-17	18-24	-	-	-
114, 124, 134, 144	25-35	12-17	9-11	12-17	12-17	-	-	-
190	25-35	25-35	9-11	12-17	25-35	-	-	-
118, 191, 192, 193, 194	25-35	25-35	9-11	12-17	25-35	-	-	-
116, 117, 125, 196	25-35	12-17	9-11	12-17	12-17	-	-	-
115	25-35	25-35	9-11	12-17	12-17	-	-	-
198	25-35	18-24	9-11	12-17	12-17	-	-	-
199	25-35	18-24	9-11	12-17	12-17	-	-	-

Couteaux à graver

Numéro de catalogue	Bois tendre	Bois dur	Stratifiés / plastique	Acier	Aluminium, laiton, etc.	Coquille / pierre	Céramique	Verre
105, 108	25-35	25-35	18-24	9-11	12-17	-	-	-
106, 109,	25-35	25-35	12-17	9-11	12-17	-	-	-
107, 110	25-35	25-35	12-17	9-11	12-17	-	-	-
111	25-35*	25-35*	18-24*	9-11	12-17	-	-	-
112	25-35*	25-35*	12-17*	9-11	12-17	-	-	-
113	25-35*	25-35*	12-17*	9-11	12-17	-	-	-

Pointes de meule en diamant

Numéro de catalogue	Bois tendre	Bois dur	Stratifiés / plastique	Acier	Aluminium, laiton, etc.	Coquille / pierre	Céramique	Verre
7103, 7105, 7117, 7120, 7122, 7123, 7134, 7144	25-35	18-24	-	-	-	25-35	25-35	25-35

Couteaux au carbure de tungstène à dent structurée

Numéro de catalogue	Bois tendre	Bois dur	Stratifiés / plastique	Acier	Aluminium, laiton, etc.	Coquille / pierre	Céramique	Verre
9931, 9932, 9933, 9934, 9935, 9936	25-35	18-24	9-11	-	12-17	-	-	-

Réglages de vitesse (suite)

- * Vitesse pour coupes légères, risque de brûlures sur rainures profondes.
 • Selon le sens de coupe par rapport au grain du bois.

Remarque : Dans les tableaux de vitesses, chaque nombre pour les réglages = milliers de tr/mn

Couteaux au carbure de tungstène

Numéro de catalogue	Bois tendre	Bois dur	Stratifiés / plastique	Acier	Aluminium, laiton, etc.	Coquille / pierre	Céramique	Verre
9901, 9902, 9903, 9904, 9905, 9906, 9909, 9910, 9911, 9912	25-35	18-24	9-11	25-35	12-17	18-24	18-35	18-35

Embouts (fers) de toupie à haute vitesse

Numéro de catalogue	Bois tendre	Bois dur	Stratifiés / plastique	Acier	Aluminium, laiton, etc.	Coquille / pierre	Céramique	Verre
612, 640	25-35*	18-24 •	-	-	-	-	-	-
615, 617, 618, 650, 652, 654	25-35* 25-35*	25-35 • 18-24 •	- -	- -	- -	- -	- -	- -

Meules au carbure de silicium (bleu/vert)

Numéro de catalogue	Bois tendre	Bois dur	Stratifiés / plastique	Acier	Aluminium, laiton, etc.	Coquille / pierre	Céramique	Verre
83142, 83322, 83702, 84922, 85422, 85602, 85622	-	-	12-17	25-35	9-11	12-17	25-35	25-35

Meules/pointes abrasives

Numéro de catalogue	Bois tendre	Bois dur	Stratifiés / plastique	Acier	Aluminium, laiton, etc.	Coquille / pierre	Céramique	Verre
516,	9-17	9-17	-	18-24	12-17	-	-	-
500	9-17	9-17	-	12-24	9-17	-	-	-
EZ541GR	-	-	-	12-24	9-17	-	-	-

Meules à l'oxyde d'aluminium (orange/brun)

Numéro de catalogue	Bois tendre	Bois dur	Stratifiés / plastique	Acier	Aluminium, laiton, etc.	Coquille / pierre	Céramique	Verre
541, 903, 911, 921, 932, 941, 945, 952, 953, 954, 971, 997, 8153, 8175, 8193, 8215	25-35	25-35	-	18-24	9-11	12-17	25-35	-

Réglages de vitesse (suite)

- * Vitesse pour coupes légères, risque de brûlures sur rainures profondes.
• Selon le sens de coupe par rapport au grain du bois.

Remarque : Dans les tableaux de vitesses, chaque nombre pour les réglages = milliers de tr/mn

Pierres à affûter pour tronçonneuse à chaîne

Numéro de catalogue	Bois tendre	Bois dur	Stratifiés / plastique	Acier	Aluminium, laiton, etc.	Coquille / pierre	Céramique	Verre
453, 454, 455	-	-	-	25-35	-	-	-	-

Accessoires de coupe

Numéro de catalogue	Bois tendre	Bois dur	Stratifiés / plastique	Acier	Aluminium, laiton, etc.	Coquille pierre	Céramique	Verre
409, 420, 426 540, EZ409	-	-	5-11	25-35	25-35	25-35	25-35	-
543, EZ544	25-35	18-35	5-11	-	-	-	-	-
545, EZ545	18-35	18-24	-	-	-	12-24	12-24	-
560	À utiliser sur du placoplâtre. pour un résultat optimal, utiliser à 30 000 tr/min.							
561	12-35	12-35	5-11	-	25-35	-	-	-
562	-	-	-	-	-	-	25-35	-
EZ456	-	-	-	25-35	25-35	-	-	-
EZ476	-	-	5-11	-	-	-	-	-

Accessoires de polissage

Numéro de catalogue	Bois tendre	Bois dur	Stratifiés / plastique	Acier	Aluminium, laiton, etc.	Coquille pierre	Céramique	Verre
461, 462, 463	-	-	-	18-24	18-24	18-24	18-24	18-24
414, 422, 429	-	-	-	12-17	12-17	12-17	12-17	12-17
425, 427	-	-	-	18-24	18-24	-	-	-
423E	-	-	-	12-24	12-24	12-24	12-24	12-24

Brosses métalliques

Numéro de catalogue	Bois tendre	Bois dur	Stratifiés / plastique	Acier	Aluminium, laiton, etc.	Coquille pierre	Céramique	Verre
403, 404, 405	9-11	9-11	5-11	12-15	12-17	-	-	-
428, 442, 443	9-11	9-11	5-8	9-11	9-11	-	-	-
530, 531, 532	-	9-11	-	9-11	-	-	-	-
535, 536, 537	9-11	9-11	-	9-11	9-11	9-11	-	-

Bandes et disques à poncer

Numéro de catalogue	Bois tendre	Bois dur	Stratifiés / plastique	Acier	Aluminium, laiton, etc.	Coquille pierre	Céramique	Verre
430, 431, 438	5-35	5-35	5-17	25-35	25-35	5-35	5-35	-
439, 440, 444	5-35	5-35	5-17	25-35	25-35	5-35	5-35	-
407, 408, 432	5-35	5-35	5-17	25-35	25-35	5-35	5-35	-
411, 412, 413	12-17	12-17	5-8	-	5-8	-	-	-

Réglages de vitesse

- * Vitesse pour coupes légères, risque de brûlures sur rainures profondes.
 • Selon le sens de coupe par rapport au grain du bois.

Remarque : Dans les tableaux de vitesses, chaque nombre pour les réglages = milliers de tr/mn

Meules à lamelles

Numéro de catalogue	Bois tendre	Bois dur	Stratifiés / plastique	Acier	Aluminium, laiton, etc.	Coquille pierre	Céramique	Verre
502, 503, 504, 505	25-35	18-24	5-8	25-35	18-35	-	-	-

Tampons abrasifs de finition

Numéro de catalogue	Bois tendre	Bois dur	Stratifiés / plastique	Acier	Aluminium, laiton, etc.	Coquille pierre	Céramique	Verre
511E, 512E	12-15	12-15	9-11	12-15	12-15	-	-	-

Brosses abrasifs de détail

Numéro de catalogue	Bois tendre	Bois dur	Stratifiés / plastique	Acier	Aluminium, laiton, etc.	Coquille pierre	Céramique	Verre
EZ471SA, EZ472SA, EZ473SA	5-17	5-17	5-11	5-17	5-17	-	-	-

Embout (foret)

Numéro de catalogue	Bois tendre	Bois dur	Stratifiés / plastique	Acier	Aluminium, laiton, etc.	Coquille pierre	Céramique	Verre
150	25-35	18-35	5-11	-	12-17	-	-	-

Embouts (forets) pour verre

Numéro de catalogue	Bois tendre	Bois dur	Stratifiés / plastique	Acier	Aluminium, laiton, etc.	Coquille pierre	Céramique	Verre
662DR 663DR	-	-	-	-	-	5-17	5-17	5-17

Embouts (forets) pour extraction de coulis

Numéro de catalogue	Bois tendre	Bois dur	Stratifiés / plastique	Acier	Aluminium, laiton, etc.	Coquille pierre	Céramique	Verre
569, 570	À utiliser sur coulis pour murs et plancher						12-24	

Garantie limitée de Dremel®

Votre produit Dremel est garanti contre les vices de matériau et de façon pendant un délai de cinq ans à compter de la date d'achat. Dans l'hypothèse où le produit ne se conformerait pas à cette garantie écrite, veuillez procéder de la façon suivante :

1. NE RAPPORTEZ PAS votre produit à l'endroit où vous l'avez acheté.
2. Emballez avec soin le produit seul, sans aucun autre article, et renvoyez-le, en port payé, accompagné :
 - A. d'une copie de votre justificatif d'achat daté (veuillez en garder une copie pour vous-même)
 - B. d'une déclaration écrite concernant la nature du problème
 - C. d'une indication de vos nom, adresse et numéro de téléphone, à l'adresse suivante :

ÉTATS-UNIS

Dremel Service Center
4915 21st Street
Racine, WI 53406

OU

Dremel Service Center
 4631 E. Sunny Dunes Road
 Palm Springs, CA 92264

CANADA

Giles Tool Agency
 47 Granger Av.
 Scarborough, Ont.
 Canada M1K 3K9
 1-416-287-3000

À L'EXTÉRIEUR DU TERRITOIRE CONTINENTAL DES ÉTATS-UNIS

Consultez votre distributeur local ou
 écrivez à Dremel : 4915 21st Street
 Racine, WI 53406

Nous vous recommandons d'assurer le paquet contre la perte ou les dommages en cours de route dont nous ne pouvons assumer la responsabilité.

Cette garantie n'est offerte qu'à l'acheteur enregistré d'origine. LES DOMMAGES AU PRODUIT RÉSULTANT DE MANIPULATIONS ABUSIVES, D'ACCIDENTS, D'USAGES ABUSIFS, DE NÉGLIGENCE, DE RÉPARATIONS OU D'ALTÉRATIONS NON AUTORISÉES, D'UTILISATION D'ACCESSOIRES NON APPROUVÉS OU D'AUTRES CAUSES NON LIÉES AU MATÉRIAU OU À LA FAÇON NE SONT PAS COUVERTS PAR CETTE GARANTIE.

Aucun employé, mandataire, vendeur ou autre n'est autorisé à accorder des garanties au nom de Dremel. Si l'inspection effectuée par Dremel révèle que le problème a été causé par un problème de matériau ou de façon dans les limites de la garantie, Dremel réparera ou remplacera le produit gratuitement et renverra le produit en port payé. Si elles peuvent être effectuées, les réparations rendues nécessaires par l'usure normale ou un usage abusif, ou les réparations du produit une fois la période de garantie expirée, seront facturées aux tarifs réguliers de l'usine.

DREMEL N'ACCORDE AUCUNE AUTRE GARANTIE DE QUELQUE NATURE QUE CE SOIT, EXPLICITE OU IMPLICITE, ET TOUTES LES GARANTIES IMPLICITES DE COMMERCIALISATION ET D'APTITUDE À UN USAGE PARTICULIER EN PLUS DE L'OBLIGATION SUSVISÉE SONT REJETÉES PAR LES PRÉSENTES PAR DREMEL ET EXCLUES DE CETTE GARANTIE LIMITÉE.

Cette garantie vous accorde certains droits précis, et vous pouvez également avoir d'autres droits qui varient d'un endroit à un autre. L'obligation du garant se limite à réparer ou remplacer le produit. Le garant n'est responsable d'aucun dommage accessoire ou indirect attribuable à de telles défaillances alléguées. Certaines juridictions ne permettent pas l'exclusion ou la limitation des dommages accessoires ou indirects ; il se peut donc que les limitations ou l'exclusion qui précède ne s'appliquent pas à vous.

En ce qui concerne les prix et la façon de vous prévaloir de la garantie sur le territoire continental des États-Unis, mettez-vous en contact avec votre distributeur Dremel local.

Exportado por: Robert Bosch Tool Corporation Mt. Prospect, IL 60056 -2230, E.U.A.

Importado a México por: Robert Bosch, S. de R.L. de C.V.
 Calle Robert Bosch No. 405 - 50071 Toluca, Edo. de Méx. - México
 Tel. 052 (722) 279 2300 ext 1160 / Fax. 052 (722) 216-6656



Advertencias generales de seguridad para herramientas mecánicas

ADVERTENCIA

Lea todas las advertencias de seguridad y todas las instrucciones. Si no se siguen las advertencias e instrucciones, el resultado podría ser sacudidas eléctricas, incendio y/o lesiones graves.

GUARDE TODAS LAS ADVERTENCIAS E INSTRUCCIONES PARA REFERENCIA FUTURA

La expresión “herramienta mecánica” en las advertencias se refiere a su herramienta mecánica alimentada por la red eléctrica (herramienta alámbrica) o su herramienta mecánica alimentada por baterías (herramienta inalámbrica).

Seguridad del área de trabajo

Mantenga el área de trabajo limpia y bien iluminada. Las áreas desordenadas u oscuras invitan a que se produzcan accidentes.

No utilice herramientas mecánicas en atmósferas explosivas, como por ejemplo en presencia de líquidos, gases o polvos inflamables. Las herramientas mecánicas generan chispas que pueden incendiar el polvo o los vapores.

Mantenga alejados a los niños y a las personas que estén presentes mientras esté utilizando una herramienta mecánica. Las distracciones pueden hacerle perder el control de la herramienta.

Seguridad eléctrica

Los enchufes de las herramientas mecánicas deben coincidir con el tomacorriente. No modifique nunca el enchufe de ningún modo. No use enchufes adaptadores con herramientas mecánicas conectadas a tierra (puestas a tierra). Los enchufes no modificados y los tomacorrientes coincidentes reducirán el riesgo de sacudidas eléctricas.

Evite el contacto del cuerpo con las superficies conectadas o puestas a tierra, tales como tuberías, radiadores, estufas y refrigeradores. Hay un aumento del riesgo de sacudidas eléctricas si el cuerpo del operador se conecta o pone a tierra.

No exponga las herramientas mecánicas a la lluvia o a condiciones mojadas. La entrada de agua en una herramienta mecánica aumentará el riesgo de que se produzcan sacudidas eléctricas.

No maltrate el cordón de energía. No use nunca el cordón para transportar la herramienta mecánica, tirar de ella o desenchufarla. Mantenga el cordón alejado del calor, el aceite, los bordes afilados o las piezas móviles. Los cordones dañados o enganchados aumentan el riesgo de que se produzcan sacudidas eléctricas.

Cuando utilice una herramienta mecánica en el exterior, use un cordón de extensión adecuado para uso a la intemperie. La utilización de un cordón adecuado para uso a la intemperie reduce el riesgo de que se produzcan sacudidas eléctricas.

Si es inevitable utilizar una herramienta mecánica en un lugar húmedo, utilice una fuente de energía

protegida por un interruptor de circuito accionado por corriente de pérdida a tierra (GFCI). El uso de un GFCI reduce el riesgo de sacudidas eléctricas.

Seguridad personal

Manténgase alerta, fíjese en lo que está haciendo y use el sentido común cuando esté utilizando una herramienta mecánica. No use una herramienta mecánica cuando esté cansado o bajo la influencia de drogas, alcohol o medicamentos. Un momento de distracción mientras esté utilizando herramientas mecánicas podría causar lesiones corporales graves.

Use equipo de protección personal. Use siempre protección de los ojos. El equipo de protección, como por ejemplo una máscara antipolvo, calzado de seguridad antideslizante, casco o protección de oídos, utilizado para las condiciones apropiadas, reducirá las lesiones corporales.

Evite el arranque accidental. Asegúrese de que el interruptor esté en la posición de apagado antes de conectar la herramienta a la fuente de energía y / o al paquete de batería, levantar la herramienta o transportarla. Transportar herramientas mecánicas con un dedo en el interruptor o encender herramientas mecánicas que tengan el interruptor en la posición de encendido invita a que se produzcan accidentes.

Quite todas las llaves de ajuste o de tuerca antes de encender la herramienta mecánica. Una llave de tuerca o de ajuste que se deje colocada en una pieza giratoria de la herramienta mecánica podría causar lesiones corporales.

No intente alcanzar demasiado lejos. Mantenga un apoyo de los pies y un equilibrio apropiados en todo momento. Esto permite controlar mejor la herramienta mecánica en situaciones inesperadas.

Vístase adecuadamente. No use ropa holgada ni alhajas holgadas. Mantenga el pelo, la ropa y los guantes alejados de las piezas móviles. La ropa holgada, las alhajas holgadas o el pelo largo pueden quedar atrapados en las piezas móviles.

Si se proporcionan dispositivos para la conexión de instalaciones de extracción y recolección de polvo, asegúrese de que dichas instalaciones estén conectadas y se usen correctamente. El uso de dispositivos de recolección de polvo puede reducir los peligros relacionados con el polvo.





Uso y cuidado de las herramientas mecánicas

No fuerce la herramienta mecánica. Use la herramienta mecánica correcta para la aplicación que desee realizar. La herramienta mecánica correcta hará el trabajo mejor y con más seguridad a la capacidad nominal para la que fue diseñada.

No use la herramienta mecánica si el interruptor no la enciende y apaga. Toda herramienta mecánica que no se pueda controlar con el interruptor es peligrosa y debe ser reparada.

Desconecte el enchufe de la fuente de energía y/o el paquete de batería de la herramienta mecánica antes de hacer cualquier ajuste, cambiar accesorios o almacenar herramientas mecánicas. Dichas medidas preventivas de seguridad reducen el riesgo de arrancar accidentalmente la herramienta mecánica.

Guarde las herramientas que no esté usando fuera del alcance de los niños y no deje que personas que no estén familiarizadas con la herramienta mecánica o con estas instrucciones utilicen la herramienta. Las herramientas mecánicas son peligrosas en manos de usuarios que no hayan recibido capacitación.

Mantenga las herramientas mecánicas. Compruebe si hay piezas móviles desalineadas o que se atoran, si

hay piezas rotas y si existe cualquier otra situación que podría afectar el funcionamiento de la herramienta mecánica. Si la herramienta mecánica está dañada, haga que la reparen antes de usarla. Muchos accidentes son causados por herramientas mecánicas mantenidas deficientemente.

Mantenga las herramientas de corte afiladas y limpias. Es menos probable que las herramientas de corte mantenidas apropiadamente, con bordes de corte afilados, se atoren, y dichas herramientas son más fáciles de controlar.

Utilice la herramienta mecánica, los accesorios, las brocas de la herramienta, etc., de acuerdo con estas instrucciones, teniendo en cuenta las condiciones de trabajo y el trabajo que se vaya a realizar. El uso de la herramienta mecánica para operaciones distintas a aquéllas para las que fue diseñada podría causar una situación peligrosa.

Servicio de ajustes y reparaciones

Haga que su herramienta mecánica reciba servicio de un técnico de reparaciones calificado, utilizando únicamente piezas de repuesto idénticas. Esto asegurará que se mantenga la seguridad de la herramienta mecánica.

Normas de seguridad para herramientas giratorias

Sujete siempre las herramientas eléctricas por las superficies de agarre aisladas al realizar una operación en la que la herramienta de corte pueda entrar en contacto con cables ocultos o con su propio cordón. El contacto con un cable con corriente transmitirá corriente a las piezas metálicas al descubierto y hará que el operador reciba sacudidas eléctricas.

Use abrazaderas u otro modo práctico de sujetar y soportar la pieza de trabajo en una plataforma estable. Si se sujeta la pieza de trabajo con la mano o contra el cuerpo, se crea una situación inestable que podría causar pérdida de control.

Los accesorios deben tener capacidad nominal para al menos la velocidad recomendada en la etiqueta de advertencia de la herramienta. Las muelas y otros accesorios que funcionen a velocidades superiores a la velocidad nominal pueden saltar en pedazos y causar lesiones.

Si el corte en paredes existentes u otras áreas ciegas donde puedan existir cables eléctricos es inevitable, desconecte todos los fusibles o cortacircuitos que alimentan el lugar de trabajo.

La siguiente advertencia está destinada a las herramientas y los accesorios de eje flexible. No utilice el eje flexible en una posición en la que el eje esté muy doblado. Doblar el eje excesivamente puede generar calor excesivo en la envoltura o en la

pieza de mano. El mínimo recomendado es un radio de 127 mm.

Desconecte siempre el cordón de energía de la fuente de energía antes de hacer cualquier ajuste o de colocar cualquier accesorio. Es posible que inesperadamente usted haga que la herramienta arranque, dando lugar a graves lesiones personales.

Sepa la ubicación del interruptor. Al dejar la herramienta o al recogerla, usted podría activar el interruptor accidentalmente.

Sostenga siempre firmemente la pieza de mano en las manos durante el arranque. El par de torsión de reacción del motor, a medida que éste acelera hasta alcanzar toda su velocidad, puede hacer que el eje se tuerza.

Use siempre gafas de seguridad y máscara antipolvo. Use la herramienta únicamente en un área bien ventilada. La utilización de dispositivos de seguridad personal y el trabajar en un entorno seguro reducen el riesgo de que se produzcan lesiones.

Después de cambiar las brocas o hacer cualquier ajuste, asegúrese de que tanto la tuerca del portaherramienta como la llave de tuerca integrada / tapa de punta EZ TWIST™ estén apretadas firmemente. Los dispositivos de ajuste flojos pueden desplazarse inesperadamente, causando pérdida de control, y los componentes giratorios flojos saldrán despedidos violentamente.





Normas de seguridad para herramientas giratorias - (cont.)

No ponga las manos en el área de la broca que gira. Es posible que la proximidad de la mano a la broca que gira no siempre sea obvia.

Deje que los cepillos estén en marcha a la velocidad de funcionamiento durante al menos un minuto antes de utilizar la rueda. Durante este tiempo nadie debe situarse delante del cepillo o en línea con éste. Las cerdas o los alambres sueltos se desprenderán durante el tiempo de rodaje.

Los cepillos de cerda nunca deben utilizarse a velocidades superiores a 15.000/min. Dirija la descarga de la escobilla de alambre que gira de manera que se aleje de usted. Durante la acción de "limpieza" con estas escobillas pueden descargarse pequeñas partículas y diminutos fragmentos de alambre a alta velocidad que pueden incrustarse en la piel. Las cerdas o los alambres se desprenderán del cepillo a altas velocidades.

Use guantes protectores y careta protectora con los cepillos de alambre o de cerdas. Aplique suavemente los cepillos de alambre o de cerdas a la pieza de trabajo, ya que solamente las puntas de los alambres o de las cerdas realizan el trabajo. Una presión "grande" sobre los alambres o las cerdas hará que estas partes resulten sometidas a una tensión excesiva, lo cual dará como resultado una acción de barrido y hará que las cerdas o los alambres se desprendan.

Maneje cuidadosamente la herramienta y las ruedas de amolar individuales para evitar que se mellen o se agrieten. Instale una muela nueva si la herramienta se cae al amolar. No use una muela que pueda estar dañada. Los fragmentos de una muela que salta en pedazos durante el funcionamiento saldrán despedidos a gran velocidad y posiblemente le golpearán a usted o golpearán a las personas que estén presentes.

Nunca use brocas desafiladas o dañadas. Las brocas afiladas se deben manejar con cuidado. Las brocas dañadas pueden romperse bruscamente durante el uso. Las brocas desafiladas requieren más fuerza para empujar la herramienta, con lo que es posible que la broca se rompa.

Use abrazaderas para soportar la pieza de trabajo siempre que resulte práctico. Nunca tenga una pieza de trabajo pequeña en una mano y la herramienta en la otra mano mientras esté utilizando la herramienta. Deje que haya suficiente espacio, al menos 150 mm, entre la mano y la broca que gira. El material redondo, tal como las varillas con espiga, las tuberías y los tubos, tiene tendencia a rodar cuando se corta y puede hacer que la broca "muerda" o salte hacia usted. El fijar con abrazaderas una pieza de trabajo pequeña le permite usar ambas manos para controlar la herramienta.

Inspeccione la pieza de trabajo antes de cortar. Al cortar piezas de trabajo que tengan forma irregular, planifique el trabajo para que la pieza de trabajo no

patine ni pellizque la broca y le sea arrancada de las manos. Por ejemplo, si talla madera, asegúrese de que no haya clavos ni objetos extraños en la pieza de trabajo. Los clavos o los objetos extraños pueden hacer que la broca salte.

Nunca arranque la herramienta cuando la broca esté acoplada en el material. El borde de corte de la broca puede engancharse en el material, causando pérdida de control del cortador.

Evite que la muela rebote y se atasque, especialmente al trabajar en esquinas, bordes afilados, etc. Esto puede causar pérdida de control y retroceso.

El sentido de avance con la broca en el interior del material al tallar, fresar o cortar es muy importante. Haga avanzar siempre la broca hacia el interior del material en el mismo sentido en que el borde de corte esté saliendo del material (que es el mismo sentido en que las virutas salen despedidas). El hacer avanzar la herramienta en sentido incorrecto hace que el borde de corte de la broca se salga de la pieza de trabajo y tire de la herramienta en el sentido de dicho avance.

Si la pieza de trabajo o la broca se atasca o se engancha, apague la herramienta utilizando el interruptor (posición "OFF"). Espere a que todas las piezas móviles se detengan, desenchufe la herramienta y luego libere el material atascado. Si el interruptor de la herramienta se deja encendido (posición "ON"), la herramienta podría volver a arrancar inesperadamente, causando graves lesiones personales.

No deje desatendida una herramienta en marcha. Apáguela. Solamente cuando la herramienta se detenga por completo es seguro dejarla.

No amuele ni lije cerca de materiales inflamables. Las chispas provenientes de la muela podrían inflamar estos materiales.

No toque la broca ni el portaherramienta después de la utilización. Después de la utilización, la broca y el portaherramienta están demasiado calientes para tocarlos con las manos desnudas.

Limpie regularmente con aire comprimido las aberturas de ventilación de la herramienta. La acumulación excesiva de metal en polvo dentro de la caja del motor puede causar averías eléctricas.

No deje que el trabajar de manera confiada debido a la familiarización adquirida con el uso frecuente de la herramienta giratoria se convierta en algo habitual. Recuerde siempre que un descuido de una fracción de segundo es suficiente para causar lesiones graves.

No altere ni utilice incorrectamente la herramienta. Cualquier alteración o modificación constituye uso incorrecto y puede tener como resultado graves lesiones personales.



Normas de seguridad para herramientas giratorias - (cont.)

Este producto no está diseñado para utilizarse como taladro dental en aplicaciones médicas en seres humanos ni en veterinaria. Pueden producirse lesiones personales graves.

Al utilizar sierras de acero, ruedas de recortar, cortadores de alta velocidad o cortadores de carburo de tungsteno, tenga siempre la pieza de trabajo fija con abrazaderas. Nunca intente sujetar la pieza de trabajo con una mano cuando esté utilizando cualquiera de estos accesorios. La razón es que estas ruedas se atascarán si se ladean

ligeramente en la ranura y pueden experimentar retroceso, causando una pérdida de control que tendrá como resultado lesiones graves. La otra mano se debe utilizar para afianzar y guiar la mano que sujeta la herramienta. Cuando una rueda de recortar se atasca, normalmente la propia rueda se rompe. Cuando la sierra de acero, los cortadores de alta velocidad o el cortador de carburo de tungsteno se atascan, es posible que salten y se salgan de la ranura, con lo que usted podría perder el control de la herramienta.

Advertencias de seguridad adicionales

Un GFCI y los dispositivos de protección personal, como guantes de goma y calzado de goma de electricista, mejorarán más su seguridad personal.

No use herramientas mecánicas con capacidad nominal solamente para CA con una fuente de energía de CC. Aunque pueda parecer que la herramienta funciona correctamente, es probable que los componentes eléctricos de la herramienta con capacidad nominal para CA fallen y creen un peligro para el operador.

Mantenga los mangos secos, limpios y libres de aceite y grasa. Las manos resbalosas no pueden controlar de modo seguro la herramienta mecánica.

Use abrazaderas u otro modo práctico de sujetar y soportar la pieza de trabajo en una plataforma estable. Si se sujeta la pieza de trabajo con la mano o contra el cuerpo, se crea una situación inestable que podría causar pérdida de control.

Desarrolle un programa de mantenimiento periódico de la herramienta. Cuando limpie una herramienta, tenga cuidado de no desmontar ninguna de sus partes, ya que los cables internos podrían reubicarse incorrectamente o pellizcarse, o los resortes de retorno de los protectores de seguridad podrían montarse incorrectamente. Ciertos agentes de

limpieza, tales como gasolina, tetracloruro de carbono, amoníaco, etc., podrían dañar las piezas de plástico.

Riesgo de lesiones para el usuario. El cordón de energía debe recibir servicio de ajustes y reparaciones solamente por un Centro de servicio de fábrica Dremel.

⚠ ADVERTENCIA Cierta polvos generados por el lijado, aserrado, amolado y taladrado mecánicos, y por otras actividades de construcción, contienen agentes químicos que se sabe que causan cáncer, defectos de nacimiento u otros daños sobre la reproducción. Algunos ejemplos de estos agentes químicos son:

- Plomo de pinturas a base de plomo,
- Sílice cristalina de ladrillos y cemento y otros productos de mampostería, y
- Arsénico y cromo de madera tratada químicamente.

Su riesgo por causa de estas exposiciones varía, dependiendo de con cuánta frecuencia realice este tipo de trabajo. Para reducir su exposición a estos agentes químicos: trabaje en un área bien ventilada y trabaje con equipo de seguridad aprobado, como por ejemplo máscaras antipolvo que estén diseñadas especialmente para impedir mediante filtración el paso de partículas microscópicas.

Símbolos

IMPORTANTE: Es posible que algunos de los símbolos siguientes se usen en su herramienta. Por favor, estúdielos y aprenda su significado. La interpretación adecuada de estos símbolos le permitirá utilizar la herramienta mejor y con más seguridad.

Símbolo	Nombre	Designación/explicación
V	Volt	Tensión (potencial)
A	Ampere	Corriente
Hz	Hertz	Frecuencia (ciclos por segundo)
W	Watt	Potencia
kg	Kilogramo	Peso
min	Minuto	Tiempo
s	Segundo	Tiempo
∅	Diámetro	Tamaño de las brocas taladradoras, muelas, etc
n_0	Velocidad sin carga	Velocidad rotacional sin carga
n	Velocidad nominal	Máxima velocidad obtenible
.../min	Revoluciones o alternación por minuto	Revoluciones, golpes, velocidad de superficie, órbitas, etc., por minuto
0	Posición "off" (apagado)	Velocidad cero, par motor cero...
1, 2, 3, ... I, II, III,	Graduaciones del selector	Graduaciones de velocidad, par motor o posición. Un número más alto significa mayor velocidad
	Selector infinitamente variable con apagado	La velocidad aumenta desde la graduación de 0
	Flecha	Acción en la dirección de la flecha
	Corriente alterna	Tipo o una característica de corriente
	Corriente continua	Tipo o una característica de corriente
	Corriente alterna o continua	Tipo o una característica de corriente
	Construcción de clase II	Designa las herramientas de construcción con aislamiento doble.
	Terminal de toma de tierra	Terminal de conexión a tierra
	Símbolo de advertencia	Alerta al usuario sobre mensajes de advertencia
	Sello RBRC de Li-ion	Designa el programa de reciclaje de baterías de Li-ion
	Sello RBRC de Ni-Cd	Designa el programa de reciclaje de baterías de Ni-Cd
	Símbolo de lectura del manual	Alerta al usuario para que lea el manual
	Símbolo de uso de protección de los ojos	Alerta al usuario para que use protección de los ojos

Símbolos (continuación)

IMPORTANTE: Es posible que algunos de los símbolos siguientes se usen en su herramienta. Por favor, estúdielos y aprenda su significado. La interpretación adecuada de estos símbolos le permitirá utilizar la herramienta mejor y con más seguridad.



Este símbolo indica que esta herramienta está catalogada por Underwriters Laboratories.



Este símbolo indica que esta herramienta está reconocida por Underwriters Laboratories.



Este símbolo indica que Underwriters Laboratories ha catalogado esta herramienta indicando que cumple con las normas estadounidenses y canadienses.



Este símbolo indica que esta herramienta está catalogada por la Canadian Standards Association.



Este símbolo indica que la Canadian Standards Association ha catalogado esta herramienta indicando que cumple con las normas estadounidenses y canadienses.



Intertek

Este símbolo indica que Intertek Testing Services ha catalogado esta herramienta indicando que cumple con las normas estadounidenses y canadienses.

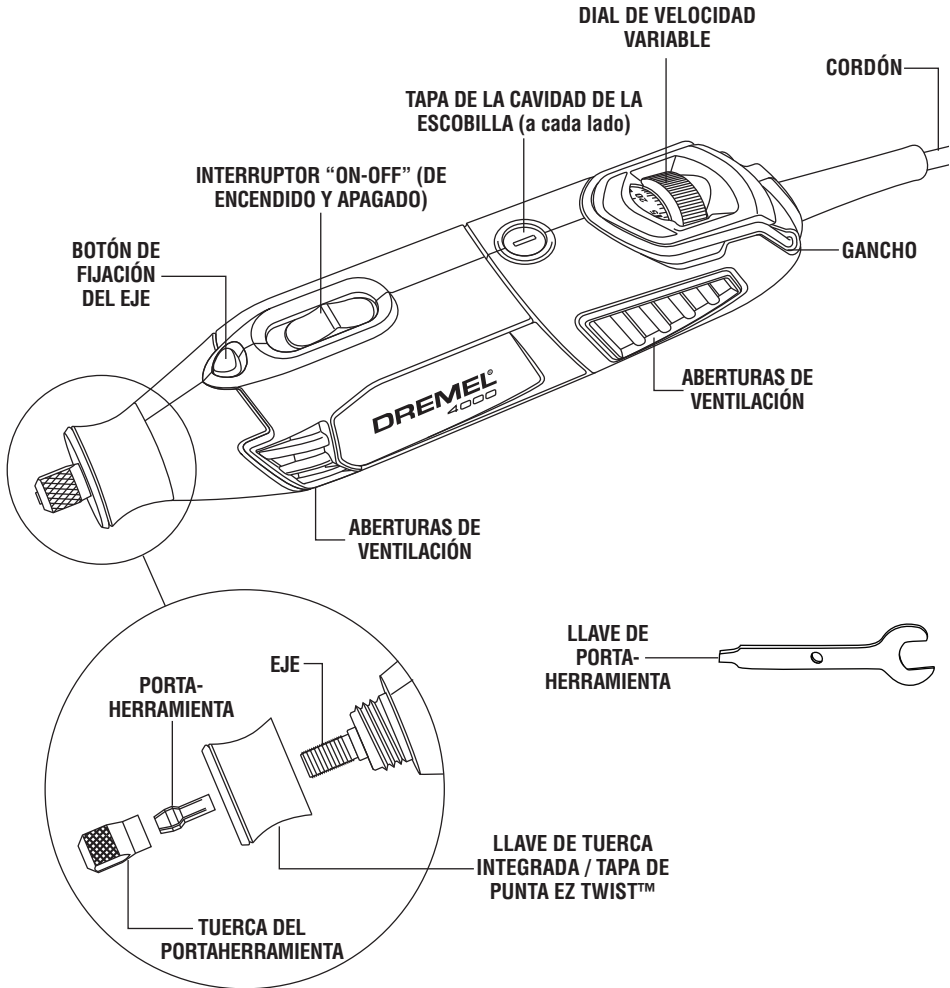


Este símbolo indica que esta herramienta cumple con la norma mexicana oficial (NOM).

Descripción funcional y especificaciones

ADVERTENCIA Desconecte el enchufe de la fuente de energía antes de realizar cualquier ensamblaje o ajuste, o cambiar accesorios. Estas medidas de seguridad preventivas reducen el riesgo de arrancar la herramienta accidentalmente.

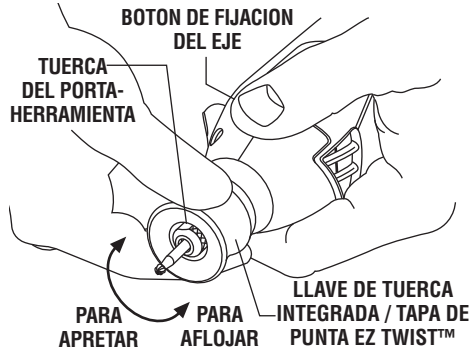
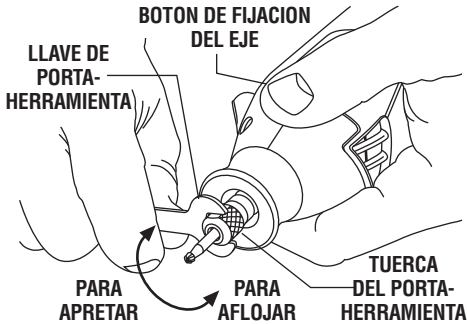
Herramienta giratoria de alta velocidad modelo 4000



Número de modelo	4000
Tensión nominal	120V ~ 50 - 60Hz
Amperaje nominal	1,6 A
Capacidad sin carga	n_0 5.000/35.000/min
Capacidad del portaherramienta	0,8 mm, 1,6 mm, 2,4 mm, 3,2 mm

Ensamblaje

ADVERTENCIA Desenchufe siempre la herramienta giratoria antes de cambiar accesorios, cambiar portaherramientas o realizar servicio de ajustes y reparaciones en la herramienta giratoria.



TUERCA DEL PORTAHERRAMIENTA — Para aflojar la tuerca, oprima primero el botón de fijación del eje y gire el eje a mano hasta que el cierre acople el eje, impidiendo así toda rotación posterior. La Dremel 4000 está equipada con un mecanismo de cierre rápido del portaherramienta. Este mecanismo acopla el eje de salida en 8 ubicaciones distintas del eje para facilitar la operación.

PRECAUCION No acople el cierre mientras la herramienta giratoria está en marcha.

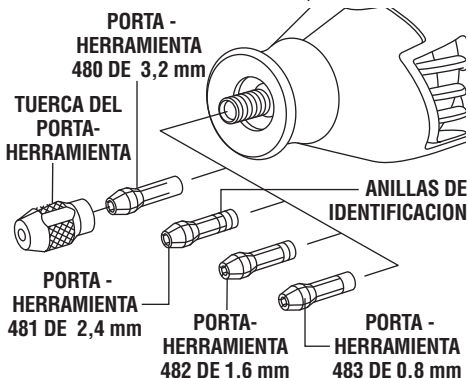
Con el cierre del eje acoplado, utilice la llave de portaherramienta para aflojar la tuerca del portaherramienta en caso de que sea necesario. La tuerca del portaherramienta debe estar enroscada flojamente cuando se introduzca un accesorio. Cambie accesorios introduciendo el nuevo accesorio en el portaherramienta hasta donde se pueda para minimizar el descentramiento y el desequilibrio. Con el

cierre del eje acoplado, apriete la tuerca del portaherramienta con los dedos hasta que el portaherramienta agarre el cuerpo del accesorio. **Evite apretar excesivamente la tuerca del portaherramienta cuando no haya una broca introducida.**

LLAVE DE TUERCA INTEGRADA / TAPA DE PUNTA EZ TWIST™

La tapa de punta de su herramienta tiene una llave de tuerca integrada que le permite aflojar y apretar la tuerca del portaherramienta sin utilizar la llave de tuerca para portaherramienta estándar. Desenrosque la tapa de punta de la herramienta y alinee el inserto de acero ubicado en el interior de la tapa con la tuerca del portaherramienta. Con el cierre del eje acoplado, gire la tapa de punta en el sentido de las agujas del reloj para apretar la tuerca del portaherramienta y en sentido contrario al de las agujas del reloj para aflojarla.

PORTAHERRAMIENTAS — Hay portaherramientas de cuatro tamaños distintos (vea la ilustración) disponibles para la herramienta giratoria con objeto de acomodar diferentes tamaños de cuerpo. Para instalar un portaherramienta distinto, saque la tuerca del portaherramienta y quite el portaherramienta viejo. Introduzca el extremo no ranurado del portaherramienta en



el agujero que se encuentra al final del eje de la herramienta. Vuelva a colocar la tuerca del portaherramienta en el eje.

PRECAUCION Utilice siempre el portaherramienta que corresponda al tamaño del cuerpo del accesorio que usted piensa utilizar. Nunca intente introducir a la fuerza en un portaherramienta un cuerpo de diámetro más grande que el que pueda aceptar dicho portaherramienta.

Nota: La mayoría de los juegos de herramienta giratoria no incluyen los cuatro tamaños de portaherramienta

CUADRO DE IDENTIFICACIÓN DE PORTAHERRAMIENTAS

Los tamaños de portaherramienta se pueden identificar por medio de las anillas que se encuentran en el extremo posterior del portaherramienta.

El portaherramienta de 0,8 mm tiene (1) anilla.

El portaherramienta de 1,6 mm tiene (2) anillas.

El portaherramienta de 2,4 mm tiene (3) anillas.

El portaherramienta de 3,2 mm no tiene anillas.

(incluido en la herramienta en la mayoría de los juegos de herramienta)



EQUILIBRADO DE ACCESORIOS — Para realizar trabajo de precisión es importante que todos los accesorios se encuentren bien equilibrados (de manera muy parecida a las gomas de su automóvil). Para nivelar o equilibrar un accesorio, afloje ligeramente la tuerca del portaherramienta y haga girar el accesorio o el portaherramienta 1/4 de vuelta. Vuelva a apretar la tuerca del portaherramienta y ponga en marcha la herramienta giratoria. El sonido y la sensación del accesorio deberán permitirle saber si éste está funcionando de manera equilibrada. Siga realizando ajustes de esta manera hasta lograr el mejor equilibrio. Para mantener

equilibradas las fresas abrasivas, antes de cada utilización, con la fresa fijada de manera segura en el portaherramienta, encienda la herramienta giratoria y haga funcionar la piedra de reacondicionamiento 415 apoyándola ligeramente contra la fresa que gira. Esto quita las partes que sobresalen y nivela la fresa para que ésta quede bien equilibrada.

El colgador se suministra con el fin de emplearlo para colgar la herramienta mientras se esté utilizando el eje flexible o para almacenamiento. Si no usa el colgador, acóplelo a presión de vuelta en su sitio para que esté fuera del paso mientras se esté utilizando la herramienta.

Instrucciones de utilización

Dremel 4000

Gracias por comprar la Dremel 4000. Este producto fue diseñado para los muchos usuarios de Dremel que utilizan apasionadamente a diario sus herramientas rotatorias. Esta herramienta fue diseñada para brindarle el máximo rendimiento cuando trabaje en sus proyectos.

La Dremel 4000 es la herramienta giratoria MÁS versátil disponible hoy en día. Tiene una amplia gama de velocidades, incluyendo un motor de alto rendimiento con retroalimentación electrónica que permite a la herramienta mantener su velocidad bajo carga. El diseño de la herramienta es simétrico y brinda una cantidad más que suficiente de agarre blando para que la herramienta se pueda agarrar cómodamente en muchas posiciones. El mecanismo de cierre rápido del portaherramienta hace que bloquear el eje de salida sea más fácil para cambiar accesorios. Usted apreciará las muchas aplicaciones que la Dremel 4000 puede completar fácilmente.

Introducción a la herramienta giratoria

La herramienta giratoria tiene un pequeño y potente motor eléctrico universal, es cómoda en la mano y está fabricada para aceptar una amplia variedad de accesorios, incluyendo ruedas abrasivas, brocas taladradoras, cepillos de alambre, pulidoras, cortadores de grabar, brocas de fresadora, ruedas de corte y aditamentos. Los accesorios vienen en formas diversas y le permiten a usted realizar varios trabajos diferentes. A medida que se vaya familiarizando con la gama de accesorios y sus usos, irá dándose cuenta de la gran versatilidad de la herramienta giratoria. Descubrirá docenas de usos en los que no había pensado hasta ahora.

El verdadero secreto de la herramienta giratoria es su velocidad. Para entender las ventajas que ofrece su alta velocidad, usted ha de saber que el taladro eléctrico portátil estándar funciona a velocidades de hasta 2.800 revoluciones por minuto. La herramienta giratoria funciona a velocidades de hasta 35.000 revoluciones por minuto. El taladro eléctrico típico es una herramienta de baja velocidad y par motor alto; la herramienta giratoria es justo lo contrario — una herramienta de alta velocidad y par motor bajo. La diferencia principal para el usuario es que en las herramientas de alta velocidad, la velocidad combinada con el accesorio montado en el portaherramienta realiza el trabajo. Usted no tiene que ejercer presión sobre la herramienta, sino simplemente sujetarla y guiarla. En las herramientas de baja velocidad, usted no sólo tiene que guiar la herramienta, sino que además

tiene que ejercer presión sobre ella, tal como lo hace, por ejemplo, al taladrar un agujero.

Es esta alta velocidad, junto con el tamaño compacto y la amplia variedad de accesorios y aditamentos especiales, lo que hace que la herramienta giratoria sea diferente a otras herramientas. La velocidad permite que la herramienta haga trabajos que las herramientas de baja velocidad no pueden hacer, tales como cortar acero templado, grabar vidrio, etc.

El sacar el mayor provecho a la herramienta giratoria es cuestión de aprender cómo dejar que la velocidad haga el trabajo para usted. Para obtener información sobre más usos y la versatilidad de los accesorios y aditamentos Dremel, consulte este manual del usuario o visite nuestro sitio Web en www.Dremel.com.

Utilización de la herramienta giratoria

El primer paso para aprender a utilizar la herramienta giratoria consiste en acostumbrarse a la herramienta. Téngala en la mano y experimente la sensación que producen su peso y equilibrio. Toque la parte cónica de la caja protectora. Esta parte cónica permite agarrar la herramienta giratoria de manera muy parecida a como se agarra una pluma o un lápiz (Figura A).

Sostenga siempre la herramienta alejada de la cara. Los accesorios pueden resultar dañados durante el manejo y pueden salir despedidos al ganar velocidad. Esto no es común, pero sí sucede.

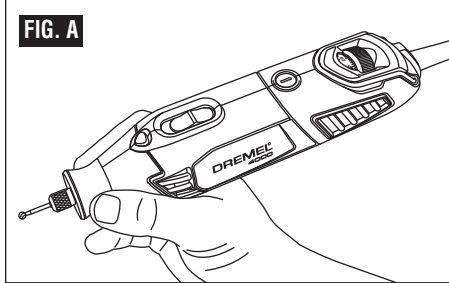
Practique primero en materiales de desecho para ver cómo funciona la acción de alta velocidad de la herramienta giratoria. Tenga presente que el trabajo es realizado por la velocidad de la herramienta y por el accesorio instalado en el portaherramienta. Usted no debe apoyarse en la herramienta ni empujarla durante el uso.

En vez de hacer esto, haga descender lentamente hasta la pieza de trabajo el accesorio mientras éste gira y deje que toque el punto en el cual usted quiere que comience el corte (o lijado o grabado, etc.). Concéntrese en guiar la herramienta sobre la pieza de trabajo ejerciendo muy poca presión con la mano. Deje que el accesorio realice el trabajo.

Normalmente, es mejor realizar una serie de pasadas con la herramienta en vez de intentar hacer todo el trabajo en una sola pasada. Por ejemplo, para realizar un corte, pase la herramienta hacia adelante y hacia

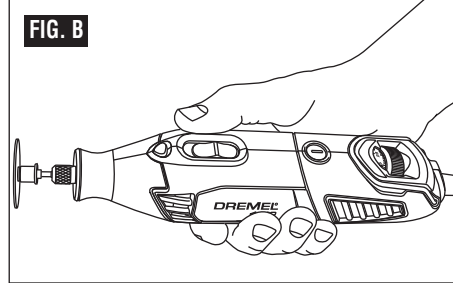


atrás sobre la pieza de trabajo de manera muy parecida a como lo haría con una brocha pequeña. Corte un poco de material en cada pasada hasta que llegue a la profundidad deseada. Para la mayoría de los trabajos,

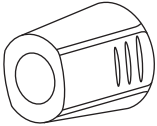


Para tener mejor control al realizar trabajo fino, agarre la herramienta giratoria como un lápiz entre el dedo pulgar y el dedo índice.

es mejor utilizar un toque hábil y suave. Con éste, usted logra el mejor control, reduce las posibilidades de cometer errores y logrará que el accesorio realice el trabajo de la manera más eficaz posible.



El método de "empuñadura de golf" para agarrar la herramienta se utiliza para realizar operaciones más agresivas, como amolar una superficie plana o utilizar ruedas de corte.



Para realizar tareas de precisión, en algunos juegos se incluye una pieza de punta separada. Dicha pieza tiene una forma cónica que permite al usuario comprimirla cómodamente entre los dedos pulgar e índice. Brinda una excelente línea de mira para realizar trabajo de decapado, tallado y grabado de detalles.



PRECAUCION Cuando agarre la herramienta, tenga cuidado de no cubrir las aberturas de ventilación con la mano. Esto bloquea el flujo de aire y hace que el motor se recaliente.

**¿Preguntas o problemas? Llame al 1-800-437-3635
o visite nuestro sitio Web en www.Dremel.com**

Velocidades de funcionamiento

Con objeto de seleccionar la velocidad correcta para cada trabajo, utilice una pieza de material de práctica.

NOTA: Los cambios de tensión afectan a la velocidad. Una tensión de entrada reducida hará bajar las revoluciones por minuto de la herramienta.

INTERRUPTOR DE "ENCENDIDO Y APAGADO" DESLIZANTE

La herramienta se ENCIENDE por medio del interruptor oscilante ubicado en el lado superior de la carcasa del motor.

PARA ENCENDER LA HERRAMIENTA, deslice el botón del interruptor hacia delante.

PARA APAGAR LA HERRAMIENTA, deslice el botón del interruptor hacia detrás.

MOTOR DE ALTO RENDIMIENTO

La herramienta está equipada con un motor de herramienta giratoria de alto rendimiento. Este motor

expande la versatilidad de la herramienta giratoria al propulsar aditamentos adicionales tales como la multisierra Dremel y la cepilladora Dremel.

RETROALIMENTACIÓN ELECTRÓNICA

La herramienta está equipada con un sistema interno de retroalimentación electrónica que proporciona un "arranque suave", lo cual reducirá los esfuerzos que ocurren como consecuencia de un arranque con alta fuerza de torsión. El sistema también ayuda a mantener la velocidad preseleccionada prácticamente constante entre las condiciones sin carga y con carga.

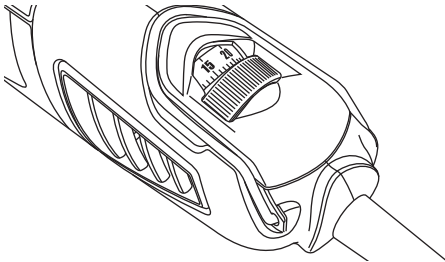
DIAL DE VELOCIDAD VARIABLE

La herramienta está equipada con un dial de velocidad variable. La velocidad se puede ajustar durante la utilización preajustando el dial en cualquiera de las posiciones o entre ellas.

Puede consultar los cuadros de las páginas 62, 63, 64 y 65 para determinar la velocidad adecuada basándose

en el material en el que se está trabajando y el tipo de cortador u otro accesorio que se está utilizando. Estos cuadros le permiten seleccionar de un vistazo tanto el accesorio correcto como la velocidad óptima.

La velocidad de la herramienta giratoria se controla ajustando este dial ubicado en la carcasa.



Posiciones para las revoluciones apropiadas.

Posición del interruptor	Intervalo de velocidad
5	5 000 – 7 000/min
*10	7 000 – 10 000/min
15	13 000 – 17 000/min
20	18 000 – 23 000/min
25	23 000 – 27 000/min
30	28 000 – 32 000/min
35	33 000 – 35 000/min

* Ajuste del cepillo de alambre.

Necesidades de velocidades más lentas

Sin embargo, determinados materiales (algunos plásticos y metales preciosos, por ejemplo) requieren una velocidad relativamente lenta debido a que a alta velocidad la fricción del accesorio genera calor y puede causar daños en el material.

Las velocidades lentas (15.000 RPM o menos) normalmente son mejores para operaciones de pulido utilizando los accesorios de pulir de fieltro. Puede que también sean mejores para trabajar en proyectos delicados tales como trabajo de tallado de "cáscaras de huevo", tallado de madera delicada y trabajo con piezas frágiles de modelos. Todas las aplicaciones de cepillado requieren velocidades más bajas para evitar que el alambre se desprenda del soporte.

Las velocidades más altas son mejores para tallar, cortar, fresar, dar forma y cortar ranuras o rebajos en madera.

Las maderas duras, los metales y el vidrio requieren un funcionamiento a alta velocidad, y el taladrado también deberá realizarse a altas velocidades.

El punto que hay que recordar es el siguiente: Muchas aplicaciones y accesorios de nuestra línea brindarán el

mejor rendimiento a la máxima velocidad, pero para ciertos materiales, aplicaciones y accesorios se necesitarán velocidades más lentas, lo cual es el motivo por el cual se encuentran disponibles nuestros modelos de velocidad variable.

Para ayudarle a determinar la velocidad de funcionamiento óptima para diferentes materiales y distintos accesorios, hemos preparado una serie de tablas que aparecen en las páginas 62, 63, 64 y 65. Consultando dichas tablas usted puede determinar las velocidades recomendadas para cada tipo de accesorio. Eche un vistazo a estas tablas y familiarícese con ellas.

En última instancia, la mejor manera de determinar la velocidad correcta para realizar trabajo en cualquier material es practicar durante unos minutos utilizando una pieza de desecho, incluso después de consultar el cuadro. Usted puede descubrir rápidamente que una velocidad más lenta o más rápida es mucho más eficaz simplemente observando qué pasa cuando usted realiza una o dos pasadas a diferentes velocidades. Por ejemplo, al trabajar con plástico comience utilizando un régimen bajo de velocidad y aumente la velocidad hasta que observe que el plástico se está fundiendo en el punto de contacto. Luego, reduzca la velocidad ligeramente para obtener la velocidad de trabajo óptima.

Algunas reglas prácticas en cuanto a velocidad:

1. El plástico y otros materiales que se derriten a bajas temperaturas deben cortarse a bajas velocidades.
2. El pulido, el bruñido y la limpieza con cualquier tipo de cepillo de cerdas deben realizarse a velocidades que no superen las 15,000 RPM para evitar dañar el cepillo.
3. La madera debe cortarse a alta velocidad.
4. El hierro o el acero debe cortarse a alta velocidad. Si un cortador de acero de alta velocidad comienza a chirriar, normalmente esto significa que está funcionando demasiado lentamente.
5. El aluminio, las aleaciones de cobre, las aleaciones de plomo, las aleaciones de cinc y el estaño se podrán cortar a cualquier velocidad, según el tipo de corte que se esté realizando. Aplique al cortador parafina u otro lubricante adecuado para evitar que el material cortado se adhiera a los dientes del cortador.

Aumentar la presión sobre la herramienta no es la respuesta cuando ésta no esté funcionando como usted cree que debe hacerlo. Quizás usted debería estar utilizando un accesorio distinto, y tal vez un ajuste de la velocidad resolvería el problema. Apoyarse sobre la herramienta no ayuda.

¡Deje que la velocidad haga el trabajo!

Utilice únicamente accesorios de alto rendimiento comprobados por Dremel®.

Información de mantenimiento

Servicio

ADVERTENCIA El mantenimiento preventivo realizado por personal no autorizado puede dar lugar a la colocación incorrecta de cables y componentes internos que podría constituir un peligro serio. Recomendamos que todo el servicio de las herramientas sea realizado por un Centro de servicio de fábrica Dremel.

ADVERTENCIA A fin de evitar lesiones debido al arranque inesperado de la herramienta o a descargas eléctricas, siempre desenchufe la herramienta del tomacorriente de la pared antes de proporcionarle servicio o limpiarla.

ESCOBILLAS DE CARBÓN

Las escobillas y el conmutador de la herramienta han sido diseñados para brindar muchas horas de servicio confiable.

Para preparar las escobillas para utilizarlas, haga funcionar la herramienta a velocidad completa durante 5 minutos sin carga. Eso "asentará apropiadamente las escobillas, lo cual prolonga la duración tanto de las escobillas como de la herramienta.

Para mantener un rendimiento óptimo del motor, recomendamos que cada 40 a 50 horas se examinen las escobillas. Sólo se deben usar escobillas de repuesto Dremel genuinas diseñadas especialmente para su herramienta.

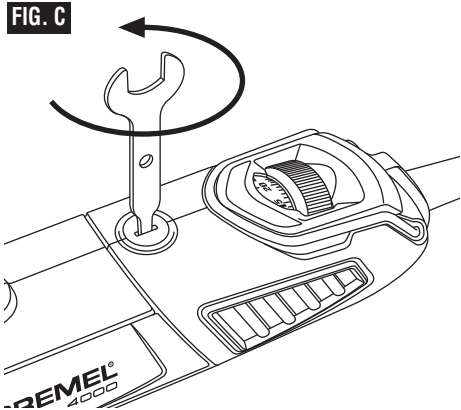
MANTENIMIENTO DE ESCOBILLAS REEMPLAZABLES EN EL MODELO 4000

Se deberán inspeccionar las escobillas frecuentemente cuando las herramientas se utilicen de manera continua. Si la herramienta es utilizada esporádicamente, pierde potencia, hace ruidos extraños o funciona a velocidad reducida, revise las escobillas.

PRECAUCIÓN El seguir utilizando la herramienta en este estado la dañará de manera permanente.

Siga estos pasos para revisar y cambiar las escobillas de la herramienta rotatoria.

1. Con el cordón de energía desenchufado, coloque la herramienta sobre una superficie limpia. Use la llave de tuerca de la herramienta como destornillador para quitar las tapas de las escobillas girando en sentido contrario al de las agujas del reloj (Figura C).
2. Quite las escobillas de la herramienta tirando del resorte que está sujeto a cada escobilla de carbón. Si la escobilla tiene una longitud inferior a 3,2 mm y la superficie del extremo de la escobilla que hace contacto con el conmutador está áspera y/o corroída, se deberá cambiar. Revise ambas escobillas (Figura D).



Normalmente, las escobillas no se desgastarán simultáneamente. Si una escobilla está desgastada, cambie ambas escobillas. Asegúrese de que las escobillas se instalan tal como se muestra en la ilustración. La superficie curva de la escobilla debe coincidir con la curvatura del conmutador. Asegúrese también de que las tapas de las escobillas estén asentadas al ras con la carcasa de la herramienta.

3. Después de cambiar las escobillas, se deberá hacer funcionar la herramienta sin carga; colóquela sobre una superficie limpia y hágala funcionar libremente durante 5 minutos antes de someter a carga (o utilizar) la herramienta. Esto permitirá que las escobillas se asienten adecuadamente y hará que cada juego de escobillas proporcione muchas más horas de servicio. Esto también prolongará la vida total de la herramienta, ya que la superficie del conmutador tardará más en desgastarse.

COJINETES

El modelo 4000 tiene una construcción a base de cojinetes de bolas. Con el uso normal no se requiere lubricación adicional.

Limpieza

ADVERTENCIA Para evitar accidentes desconecte siempre la herramienta de la fuente de energía antes de la limpieza o de la realización de cualquier mantenimiento. La herramienta se puede limpiar más eficazmente con aire

comprimido seco. **Use gafas de seguridad siempre que limpie herramientas con aire comprimido.**

Las aberturas de ventilación y las palancas de interruptor deben mantenerse limpias y libres de materias extrañas. No intente limpiar introduciendo objetos puntiagudos a través de las aberturas.

PRECAUCION Ciertos agentes de limpieza y disolventes dañan las piezas de plástico. Algunos de estos son: gasolina, tetracloruro de carbono, disolventes de limpieza clorados, amoníaco y detergentes domésticos que contienen amoníaco.

Cordones de extensión

ADVERTENCIA Si es necesario un cordón de extensión, se debe usar un cordón con conductores de tamaño adecuado que sea capaz de transportar la corriente necesaria para la herramienta. Esto evitará caídas de tensión excesivas, pérdida de potencia o recalentamiento. Las herramientas conectadas a tierra deben usar cordones de extensión de 3 hilos que tengan enchufes de 3 terminales y receptáculos para 3 terminales.

NOTA: Cuanto más pequeño es el número de calibre, más grueso es el cordón.

TAMAÑOS RECOMENDADOS DE CORDONES DE EXTENSION HERRAMIENTAS DE 120 V CORRIENTE ALTERNA

Capacidad nominal en amperes de la herramienta	Tamaño del cordón en A.W.G.				Tamaños del cable en mm ²			
	Longitud del cordón en pies				Longitud del cordón en metros			
	25	50	100	150	15	30	60	120
3-6	18	16	16	14	0,75	0,75	1,5	2,5
6-8	18	16	14	12	0,75	1,0	2,5	4,0
8-10	18	16	14	12	0,75	1,0	2,5	4,0
10-12	16	16	14	12	1,0	2,5	4,0	—
12-16	14	12	—	—	—	—	—	—

Accesorios para la Dremel

ADVERTENCIA Utilice únicamente accesorios de alto rendimiento comprobados por Dremel®. Otros accesorios no están diseñados para esta herramienta y pueden causar lesiones personales o daños materiales.

El número y la diversidad de accesorios para la Herramienta Giratoria son casi ilimitados. Hay una categoría adecuada para casi todos los trabajos que usted tenga que realizar — y una diversidad de tamaños y formas dentro de cada categoría que le permiten a usted obtener el accesorio perfecto para cada necesidad.

Consulte el FORMULARIO DE PEDIDO DE ACCESORIOS DREMEL para ver ilustraciones de los accesorios disponibles. Estos accesorios se pueden encontrar en los distribuidores locales de ferretería, pasatiempos o centros de artículos para el hogar.



Portaherramientas

Si usted piensa utilizar diversos accesorios, le recomendamos que inicialmente compre un juego

completo de cuatro portaherramientas. Guárdelos con objeto de tener el tamaño adecuado de portaherramienta para cualquier accesorio o broca taladradora que quiera usar. **En la actualidad los portaherramientas de 3,2 mm, 2,4 mm, 0,8 mm y 1,6 mm acomodan todos los accesorios Dremel disponibles. Los portaherramientas de 3,2 mm (1/8") se incluyen en la mayoría de juegos de herramienta giratoria.**

Vástagos

Un vástago es un cuerpo con una cabeza roscada o de tornillo, y es necesario cuando se utilicen accesorios de pulir, ruedas de corte, discos de lijar y puntas de pulir. La razón por la cual se utilizan vástagos es que los discos de lijar, las ruedas de corte y accesorios similares deben ser sustituidos frecuentemente. El vástago es una espiga permanente que permite que usted cambie únicamente la cabeza desgastada cuando sea necesario, por lo que se ahorra el costo de sustituir el eje cada vez.



Vástago de tornillo No. 401

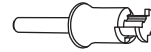
Este es un vástago de tornillo utilizado con la punta de pulir de fieltro y las ruedas de pulir de fieltro. Espiga de 3,2 mm.



Vástago de tornillo pequeño No. 402

Este es un vástago con un tornillo pequeño en la punta y se utiliza con ruedas de corte de esmeril y de fibra de vidrio, discos de lijar y ruedas de pulir. Espiga de 3,2 mm.

EZ Lock™



Vástago EZ Lock No. 402

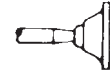
El EZ Lock de Dremel hace que los cambios de accesorio sean tan fáciles como JALAR, GIRAR Y SOLTAR. El diseño de mandril de una pieza simplifica el proceso de cambiar los discos cortadores, los discos de pulir y los cepillos abrasivos para detalles (accesorios compatibles con EZ Lock).



Cortadores de alta velocidad

Disponibles en muchas formas, los cortadores de alta velocidad se utilizan para tallar, cortar y ranurar madera, plásticos y metales blandos tales como aluminio, cobre y latón. Estos son los accesorios que se han de utilizar para realizar a pulso fresado o tallado de madera o plástico y para realizar cortes de precisión. Fabricados con acero de alta calidad. Espiga de 3,2 mm.

en fibra de vidrio, madera, plástico, epoxi y caucho. Espiga de 3,2 mm.



Piedras de amolar de óxido de aluminio (naranja/marrón)

Redondas, puntiagudas, planas — diga qué forma quiere y habrá alguna disponible en esta categoría. Estas piedras están hechas de óxido de aluminio y cubren prácticamente todos los tipos posibles de aplicaciones de amolado. Utilícelas para afilar hojas de cortadoras de césped, puntas de destornillador, cuchillos, tijeras, cinceles y otras herramientas de corte. Utilícelas para quitar rebabas de piezas metálicas fundidas, desbarbar cualquier metal después de cortarlo, alisar juntas soldadas, amolar remaches y quitar herrumbre. Estas piedras de amolar pueden reafilarse con una piedra de reacondicionamiento. En los talleres de maquinaria, normalmente las brocas y los cortadores de alta velocidad son amolados con muelas de óxido de aluminio. Espiga de 3,2 mm.



Cortadores de carburo de tungsteno

Estos son cortadores duros y de larga duración para utilización en acero templado, cerámica cocida en horno y otros materiales muy duros. Se pueden utilizar para grabar en herramientas y equipos de jardín. Espigas de 3,2 mm.



Cortadores para grabar

Este grupo de cortadores abarca una amplia gama de tamaños y formas, y los cortadores están hechos para realizar trabajo complicado en cerámica (del tipo no cocido en horno), tallados en madera, joyas y tallados en marfil, caparazones de moluscos o barbas de ballena. Se utilizan frecuentemente para hacer placas de circuitos impresos complicados. No se deben utilizar en acero ni en otros materiales muy duros, pero son excelentes en madera, plástico y metales blandos. Espiga de 2,4 mm.

Piedras de amolar de carburo de silicio (verde/gris)

Más duras que las puntas de óxido de aluminio, estas piedras están hechas especialmente para la utilización en materiales duros tales como vidrio y cerámica. Algunos usos típicos podrían ser la remoción de marcas que sobresalgan y el exceso de esmalte en cerámica, y el grabar en vidrio. Espiga de 3,2 mm.



Fresas con punta de diamante

Excelentes para trabajos que involucran detalles finos en madera, jade, cerámica, vidrio y otros materiales duros. Las brocas están cubiertas con partículas de diamante. Espigas de 2,4 mm. (No se recomiendan para taladrar.)



Cortadores de carburo de tungsteno de dientes estructurados

Dientes de corte rápido y afilados como una aguja para mayor remoción de material y mínima carga. Utilícelos

Accesorios Dremel - (cont.)



Escobillas de alambre

Hay disponibles escobillas de alambre de tres formas distintas. **Para obtener resultados óptimos, las escobillas de alambre deben utilizarse a velocidades que no sean superiores a 15.000 RPM. Consulte la sección Velocidades de funcionamiento para informarse sobre el ajuste adecuado de la velocidad de la herramienta.** Las tres formas de escobillas vienen en tres materiales distintos: alambre de acero inoxidable, de latón y de carbono. El acero inoxidable da buenos resultados en peltre, aluminio, acero inoxidable y otros metales, sin dejar "residuos de herrumbre". Las escobillas de latón no generan chispas y son más blandas que las de acero, por lo que dan buenos resultados cuando se usan en metales blandos como oro, cobre y latón. Las escobillas de alambre de carbono dan buenos resultados para limpieza de propósito general.



Cepillos de cerda

Estos cepillos constituyen excelentes herramientas para la limpieza de objetos de plata, joyas y antigüedades. Las tres formas hacen posible tener acceso a rincones estrechos y otros lugares difíciles. Los cepillos de cerda se pueden utilizar con compuesto para pulir con objeto de lograr una limpieza o pulido más rápido.

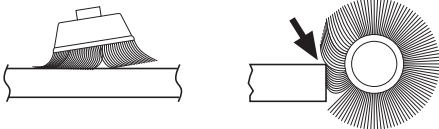
Presión de cepillado

1. Recuerde que las puntas de un cepillo de alambre hacen el trabajo. Utilice el cepillo con la presión más ligera para que solamente las puntas del alambre entren en contacto con la pieza de trabajo.

2. Si se utilizan presiones más grandes, se someterá a los alambres a una tensión excesiva, lo cual dará como resultado una acción de barrido, y si se continúa haciendo esto, podrá acortarse la duración del cepillo debido a la fatiga del alambre.

INCORRECTO:

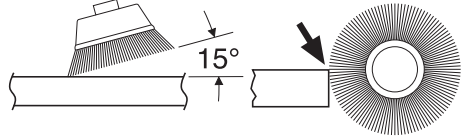
Una presión excesiva puede causar la rotura del alambre.



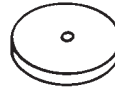
3. Aplique el cepillo a la pieza de trabajo de manera que tanta cara del cepillo como sea posible esté en contacto completo con la pieza de trabajo. La aplicación del lado o del borde del cepillo a la pieza de trabajo causará la rotura del alambre y acortará la duración del cepillo.

CORRECTO:

Las puntas de alambre hacen el trabajo.



EZ Lock™



Accesorios para pulir

Entre estos accesorios se encuentran una punta de pulir impregnada y una rueda de pulir impregnada para dar un acabado liso a las superficies metálicas; una punta de pulir de fieltro y una rueda de pulir de fieltro, y una rueda de pulir de tela. Todos estos accesorios se utilizan para pulir plásticos, metales, joyas y pequeñas piezas. También se encuentra en este grupo un compuesto para pulir (No. 421) para utilizarlo con los pulidores de fieltro y de tela.

Las puntas de pulir dejan una superficie muy lisa, pero se obtiene un brillo mayor utilizando ruedas de fieltro o de tela y compuesto para pulir. **Para obtener los mejores resultados, los accesorios de pulir deben utilizarse a velocidades que no superen las 15.000 RPM. Consulte la sección Velocidades de funcionamiento para informarse sobre el ajuste adecuado de la velocidad de la herramienta.**

No se necesita compuesto para pulir cuando se utiliza la rueda de pulir 425.



Ruedas abrasivas de óxido de aluminio

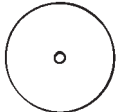
Se utilizan para quitar pintura, desbarbar metal y pulir acero inoxidable y otros metales. Disponibles en grano mediano. Vástago de 1/8 de pulgada.

Accesorios Dremel - (cont.)



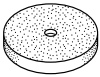
Accesorios para lijar

Los discos de lijar de grado fino, mediano y grueso están hechos para acoplarse en el vástago No. 402. Se pueden utilizar para casi todos los trabajos pequeños de lijado que usted tenga que realizar, desde la fabricación de modelos hasta el acabado de muebles finos. Además, está la lijadora de tambor, un diminuto tambor que encaja en la herramienta giratoria y que hace posible dar forma a madera, alisar fibra de vidrio, lijar en el interior de curvas y otros lugares difíciles y realizar otros trabajos de lijado. Cambie las bandas de lijar del tambor a medida que se vayan desgastando y pierdan el grano. Las bandas vienen en grados finos, mediano y gruesos. Las ruedas de aletas amuelan y pulen superficies planas o contorneadas. Se utilizan con la máxima eficacia como lijadora de acabado después de completar un lijado más pesado de la superficie y la remoción de material. Las ruedas de aletas vienen en calidades fina y gruesa. Los discos de pulir son un magnífico accesorio de acabado para limpieza y lijado ligero. Funcionan eficazmente en metal, vidrio, madera, aluminio y plásticos. Los discos de pulir gruesos y medianos se venden juntos. Los discos de pulir finos se venden por separado. No exceda 15,000 RPM de velocidad. Espiga de 3,2 mm.



Muela

Se utiliza para desbarbar, quitar herrumbre y amolado de propósito general. Utilícela con el vástago de tornillo No. 402.



EZ Lock™



Ruedas de corte

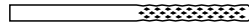
Estos delgados discos de esmeril o de fibra de vidrio se utilizan para rebanar, cortar y operaciones similares. Utilícelos para cortar cabezas de perno y tuercas

agarrotadas o para volver a ranurar una cabeza de tornillo que esté tan dañada que no permita usar un destornillador. Buenas para cortar cable BX, varillas pequeñas, tubería, cable, y para cortar agujeros rectangulares en chapa metálica.



Broca para cortar pared de tipo seco

Permite hacer cortes rápidos y limpios en pared de tipo seco.



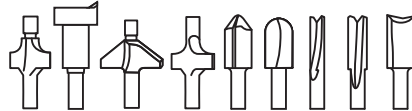
Broca para cortar loseta

Corta loseta de cerámica para pared, tablero de cemento y yeso.



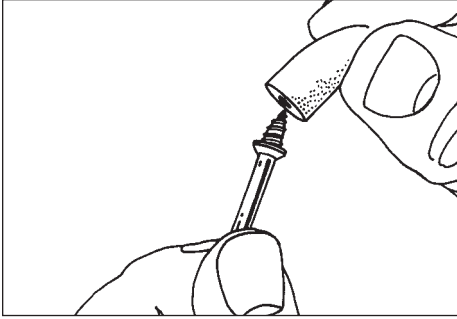
Broca de corte en espiral

Corta a través de todos los tipos de madera y materiales compuestos de madera.

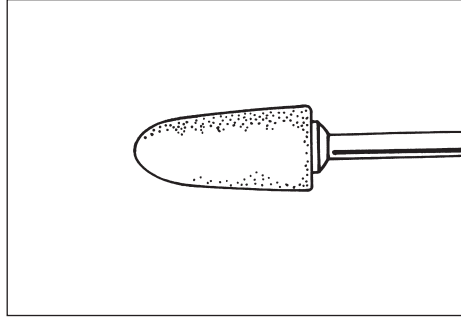


Brocas de fresadora de alta velocidad

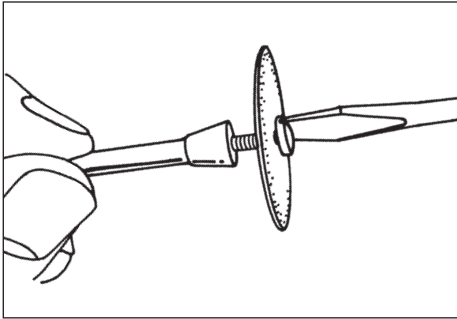
Para fresar, incrustar y mortajar en madera y otros materiales blandos. Utilícelas con el accesorio de fresadora No. 335 de Dremel y la mesa de perfiladora/fresadora No. 231 de Dremel.



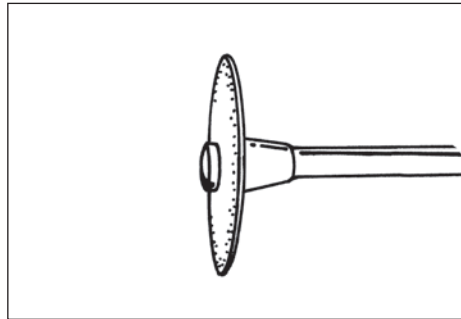
El vástago **No. 401** se utiliza con la punta de pulir de fieltro y las ruedas de pulir de fieltro. Enrosque la punta en el tornillo cuidadosamente. La punta de fieltro debe



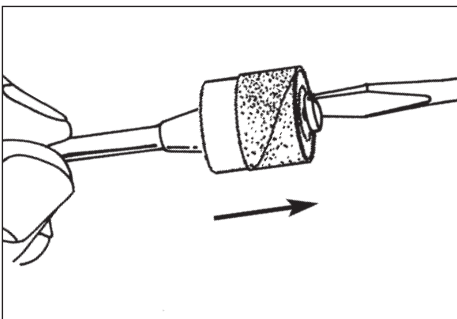
enroscarse hacia abajo en línea recta sobre el vástago de tornillo y se debe girar del todo hasta el collarín.



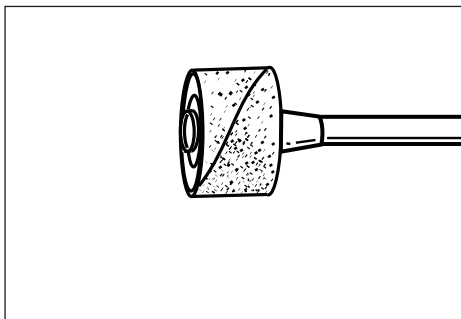
El vástago **No. 402** tiene un tornillo pequeño en la punta y se utiliza con ruedas de corte de esmeril y discos de lijar de esmeril. Las velocidades más altas,



normalmente las máximas, son mejores para la mayoría de los trabajos, incluyendo el corte de acero, que se muestra aquí.



Para cambiar una cinta de lijar en la **lijadora de tambor**, afloje el tornillo sin quitarlo para contraer el tambor y luego deslice la cinta vieja hasta sacarla. Deslice la cinta de lijar nueva sobre el tambor hasta que esté colocada y luego expanda el tambor apretando el tornillo una vez más.



⚠ ADVERTENCIA Antes de cada uso, asegúrese de que todos los componentes estén montados en el cuerpo del accesorio y de que el tambor esté suficientemente expandido para mantener fija la cinta de lijar durante el uso. Si dicha cinta está floja en el tambor durante la operación, podrá salir despedida y golpearles a usted o las personas que se encuentren presentes.

Posiciones de velocidad

- * Velocidad para cortes ligeros; precaución de no quemar en ranuras profundas.
• Según la dirección de corte respecto a la veta.

Nota: Las posiciones de cada número indicadas en los cuadros de velocidad = 000 RPM

Cortadores de alta velocidad

Número de catálogo	Madera blanda	Madera dura	Laminados/plásticos	Acero	Aluminio, latón, etc.	Caparazón/piedra	Cerámica	Vidrio
100, 121, 131	25-35	25-35	12-17	12-17	18-24	-	-	-
114, 124, 134, 144	25-35	12-17	9-11	12-17	12-17	-	-	-
190	25-35	25-35	9-11	18-24	25-35	-	-	-
118, 191, 192, 193, 194	25-35	25-35	9-11	12-17	25-35	-	-	-
116, 117, 125, 196	25-35	12-17	9-11	12-17	12-17	-	-	-
115	25-35	25-35	9-11	12-17	12-17	-	-	-
198	25-35	18-24	9-11	12-17	12-17	-	-	-
199	25-35	18-24	9-11	12-17	12-17	-	-	-

Cortadores para grabar

Número de catálogo	Madera blanda	Madera dura	Laminados/plásticos	Acero	Aluminio, latón, etc.	Caparazón/piedra	Cerámica	Vidrio
105, 108	25-35	25-35	18-24	9-11	12-17	-	-	-
106, 109,	25-35	25-35	12-17	9-11	12-17	-	-	-
107, 110	25-35	25-35	12-17	9-11	12-17	-	-	-
111	25-35*	25-35*	18-24*	9-11	12-17	-	-	-
112	25-35*	25-35*	12-17*	9-11	12-17	-	-	-
113	25-35*	25-35*	12-17*	9-11	12-17	-	-	-

Fresas con punta de diamante

Número de catálogo	Madera blanda	Madera dura	Laminados/plásticos	Acero	Aluminio, latón, etc.	Caparazón/piedra	Cerámica	Vidrio
7103, 7105, 7117, 7120, 7122, 7123, 7134, 7144	25-35	18-24	-	-	-	25-35	25-35	25-35

Cortadores de carburo de tungsteno con dientes estructurados

Número de catálogo	Madera blanda	Madera dura	Laminados/plásticos	Acero	Aluminio, latón, etc.	Caparazón/piedra	Cerámica	Vidrio
9931, 9932, 9933, 9934, 9935, 9936	25-35	18-24	9-11	-	12-17	-	-	-

Posiciones de velocidad

- * Velocidad para cortes ligeros; precaución de no quemar en ranuras profundas.
• Según la dirección de corte respecto a la veta.

Nota: Las posiciones de cada número indicadas en los cuadros de velocidad = 000 RPM

Cortadores de carburo de tungsteno

Número de catálogo	Madera blanda	Madera dura	Laminados/plásticos	Acero	Aluminio, latón, etc.	Caparazón/piedra	Cerámica	Vidrio
9901, 9902, 9903, 9904, 9905, 9906, 9909, 9910, 9911, 9912	25-35	18-24	9-11	25-35	12-17	18-24	18-35	18-35

Brocas de alta velocidad para fresar

Número de catálogo	Madera blanda	Madera dura	Laminados/plásticos	Acero	Aluminio, latón, etc.	Caparazón/piedra	Cerámica	Vidrio
612, 640	25-35*	18-24•	-	-	-	-	-	-
615, 617, 618, 650, 652, 654	25-35* 25-35*	25-35• 18-24•	- -	- -	- -	- -	- -	- -

Piedras de amolar de carburo de silicio (verde/gris)

Número de catálogo	Madera blanda	Madera dura	Laminados/plásticos	Acero	Aluminio, latón, etc.	Caparazón/piedra	Cerámica	Vidrio
83142, 83322, 83702, 84922, 85422, 85602, 85622	-	-	12-17	25-35	9-11	12-17	25-35	25-35

Ruedas abrasivas/pointes

Número de catálogo	Madera blanda	Madera dura	Laminados/plásticos	Acero	Aluminio, latón, etc.	Caparazón/piedra	Cerámica	Vidrio
516	9-17	9-17	-	18-24	12-17	-	-	-
500	9-17	9-17	-	12-24	9-17	-	-	-
EZ541GR	-	-	-	12-24	9-17	-	-	-

Piedras de amolar de óxido de aluminio (naranja/marrón)

Número de catálogo	Madera blanda	Madera dura	Laminados/plásticos	Acero	Aluminio, latón, etc.	Caparazón/piedra	Cerámica	Vidrio
541, 903, 911, 921, 932, 941, 945, 952, 953, 954, 971, 997, 8153, 8175, 8193, 8215	25-35	25-35	-	18-24	9-11	12-17	25-35	-

Posiciones de velocidad

- * Velocidad para cortes ligeros; precaución de no quemar en ranuras profundas.
• Según la dirección de corte respecto a la veta.

Nota: Las posiciones de cada número indicadas en los cuadros de velocidad = 000 RPM

Piedras de afilar para sierras de cadena

Número de catálogo	Madera blanda	Madera dura	Laminados/plásticos	Acero	Aluminio, latón, etc.	Caparazón/piedra	Cerámica	Vidrio
453, 454, 455	-	-	-	25-35	-	-	-	-

Accesorios de corte

Número de catálogo	Madera blanda	Madera dura	Laminados/plásticos	Acero	Aluminio, latón, etc.	Caparazón/piedra	Cerámica	Vidrio
409, 420, 426 540, EZ409	-	-	5-11	25-35	25-35	25-35	25-35	-
543, EZ544	25-35	18-35	5-11	-	-	-	-	-
545, EZ545	18-35	18-24	-	-	-	12-24	12-24	-
560	Para usar en paredes en seco. Para obtener mejores resultados utilícelos a 30.000 RPM.							
561	12-35	12-35	5-11	-	25-35	-	-	-
562	-	-	-	-	-	-	25-35	-
EZ456	-	-	-	25-35	25-35	-	-	-
EZ476	-	-	5-11	-	-	-	-	-

Accesorios para pulir

Número de catálogo	Madera blanda	Madera dura	Laminados/plásticos	Acero	Aluminio, latón, etc.	Caparazón/piedra	Cerámica	Vidrio
461, 462, 463	-	-	-	18-24	18-24	18-24	18-24	18-24
414, 422, 429	-	-	-	12-17	12-17	12-17	12-17	12-17
425, 427	-	-	-	18-24	18-24	-	-	-
423E	-	-	-	12-24	12-24	12-24	12-24	12-24

Escobillas de alambre

Número de catálogo	Madera blanda	Madera dura	Laminados/plásticos	Acero	Aluminio, latón, etc.	Caparazón/piedra	Cerámica	Vidrio
403, 404, 405	9-11	9-11	5-11	12-15	12-17	-	-	-
530, 531, 532	-	9-11	-	9-11	-	-	-	-
428, 442, 443	9-11	9-11	5-8	9-11	9-11	-	-	-
535, 536, 537	9-11	9-11	-	9-11	9-11	9-11	-	-

Cintas y discos de lijar

Número de catálogo	Madera blanda	Madera dura	Laminados/plásticos	Acero	Aluminio, latón, etc.	Caparazón/piedra	Cerámica	Vidrio
430, 431, 438	5-35	5-35	5-17	25-35	25-35	5-35	5-35	-
439, 440, 444	5-35	5-35	5-17	25-35	25-35	5-35	5-35	-
407, 408, 432	5-35	5-35	5-17	25-35	25-35	5-35	5-35	-
411, 412, 413	18-24	18-24	9-11	-	5-11	-	-	-

Posiciones de velocidad

* Velocidad para cortes ligeros; precaución de no quemar en ranuras profundas.

Nota: Las posiciones de cada número indicadas en los cuadros de velocidad = 000 RPM

Ruedas de aletas

Número de catálogo	Madera blanda	Madera dura	Laminados/plásticos	Acero	Aluminio, latón, etc.	Caparazón/piedra	Cerámica	Vidrio
502, 503, 504, 505	25-35	18-24	5-8	25-35	18-35	-	-	-

Discos de pulir abrasivos de acabado

Número de catálogo	Madera blanda	Madera dura	Laminados/plásticos	Acero	Aluminio, latón, etc.	Caparazón/piedra	Cerámica	Vidrio
511E, 512E	12-15	12-15	9-11	12-15	12-15	-	-	-

Cepillos abrasivos para detalles

Número de catálogo	Madera blanda	Madera dura	Laminados/plásticos	Acero	Aluminio, latón, etc.	Caparazón/piedra	Cerámica	Vidrio
EZ471SA, EZ472SA, EZ473SA	5-17	5-17	5-11	5-17	5-17	-	-	-

Broca taladradora

Número de catálogo	Madera blanda	Madera dura	Laminados/plásticos	Acero	Aluminio, latón, etc.	Caparazón/piedra	Cerámica	Vidrio
150	25-35	18-35	5-11	-	12-17	-	-	-

Brocas para taladrar vidrio

Número de catálogo	Madera blanda	Madera dura	Laminados/plásticos	Acero	Aluminio, latón, etc.	Caparazón/piedra	Cerámica	Vidrio
662DR, 663DR	-	-	-	-	-	5-17	5-17	5-17

Brocas para quitar lechada

Número de catálogo	Madera blanda	Madera dura	Laminados/plásticos	Acero	Aluminio, latón, etc.	Caparazón/piedra	Cerámica	Vidrio
569,570	Para usar en lechada de paredes y pisos						12-24	



Notes:

Remarques:

Notas:



Garantía limitada de Dremel®

Su producto Dremel está garantizado contra defectos de material o de fabricación durante un período de cinco años a partir de la fecha de compra. En caso de que un producto no se ajuste a esta garantía escrita, por favor, tome las medidas siguientes:

1. NO devuelva el producto al lugar de compra.
2. Empaque el producto cuidadosamente y solo, sin otros artículos, y envíelo con el porte pagado junto con:
 - A. Una copia de la prueba de compra fechada (por favor, conserve una copia para usted).
 - B. Una explicación por escrito de la naturaleza del problema.
 - C. Su nombre, dirección y número de teléfono a:

ESTADOS UNIDOS

Dremel Service Center
4915 21st Street
Racine, WI 53406

O

Dremel Service Center
 4631 E. Sunny Dunes Road
 Palm Springs, CA 92264

CANADÁ

Giles Tool Agency
 47 Granger Av.
 Scarborough, Ont
 Canada M1K 3K9
 1-416-287-3000

FUERA DE LOS TERRITORIOS CONTINENTALES DE LOS EE.UU.

Vea al distribuidor local o escriba a
 Dremel, 4915 21st Street
 Racine, WI 53406

Recomendamos que el paquete sea asegurado contra pérdida o daños durante el transporte por los cuales no podemos ser responsables.

Esta garantía tiene validez únicamente para el comprador original inscrito. LOS DAÑOS AL PRODUCTO PRODUCIDOS POR MANIPULACION INCORRECTA, ACCIDENTE, ABUSO, NEGLIGENCIA, REPARACIONES O ALTERACIONES NO AUTORIZADAS, ACCESORIOS NO APROBADOS U OTRAS CAUSAS NO RELACIONADAS CON PROBLEMAS DEL MATERIAL O LA FABRICACION NO ESTAN CUBIERTOS POR ESTA GARANTIA.

Ningún empleado, agente, distribuidor, ni ninguna otra persona está autorizado a dar ninguna garantía en nombre de Dremel. Si la inspección de Dremel demuestra que el problema fue causado por problemas con el material o la fabricación dentro de los límites de la garantía, Dremel reparará o reemplazará el producto gratuitamente y devolverá el producto con el porte pagado. Las reparaciones necesarias debido al desgaste normal o al abuso, o las reparaciones de productos que se encuentren fuera del período de garantía, en caso de que se puedan realizar, se cobrarán a precios de fábrica normales.

DREMEL NO DA NINGUNA OTRA GARANTIA DE NINGUN OTRO TIPO, EXPRESA O IMPLICITA, Y TODAS LAS GARANTIAS IMPLICITAS DE COMERCIABILIDAD E IDONEIDAD PARA UN PROPOSITO ESPECIFICO QUE EXCEDEN LA OBLIGACION MENCIONADA ANTERIORMENTE QUEDAN POR LA PRESENTE RECHAZADAS POR PARTE DE DREMEL Y ESTAN EXCLUIDAS DE ESTA GARANTIA LIMITADA.

Esta garantía le confiere a usted derechos legales específicos y es posible que usted también tenga otros derechos que varían de un estado a otro. La obligación del garante consiste únicamente en reparar o reemplazar el producto. El garante no es responsable de ningún daño incidental o emergente debido a cualquiera de dichos defectos alegados. Algunos estados no permiten la exclusión o limitación de los daños incidentales o emergentes, por lo que es posible que las limitaciones o la exclusión anteriores no sean aplicables en el caso de usted.

Para precios y cumplimiento de la garantía en los territorios continentales de los Estados Unidos, póngase en contacto con el distribuidor local Dremel.

Exportado por: Robert Bosch Tool Corporation Mt. Prospect, IL 60056 -2230, E.U.A.

Importado a México por: Robert Bosch, S. de R.L. de C.V.
 Calle Robert Bosch No. 405 - 50071 Toluca, Edo. de Méx. - México
 Tel. 052 (722) 279 2300 ext 1160 / Fax. 052 (722) 216-6656

Dremel® Limited Warranty

Your Dremel product is warranted against defective material or workmanship for a period of five years from date of purchase. In the event of a failure of a product to conform to this written warranty, please take the following action:

1. DO NOT return your product to the place of purchase.
2. Carefully package the product by itself, with no other items, and return it, freight prepaid, along with:
 - A. A copy of your dated proof of purchase (please keep a copy for yourself).
 - B. A written statement about the nature of the problem.
 - C. Your name, address and phone number to:

UNITED STATES

Dremel Service Center
4915 21st Street
Racine, WI 53406

OR

Dremel Service Center
 4631 E. Sunny Dunes Road
 Palm Springs, CA 92264

CANADA

Giles Tool Agency
 47 Granger Av.
 Scarborough, Ont
 Canada M1K 3K9
 1-416-287-3000

OUTSIDE

CONTINENTAL UNITED STATES

See your local distributor or write to
 Dremel, 4915 21st Street
 Racine, WI 53406

We recommend that the package be insured against loss or in transit damage for which we cannot be responsible.

This warranty applies only to the original registered purchaser. DAMAGE TO THE PRODUCT RESULTING FROM TAMPERING, ACCIDENT, ABUSE, NEGLIGENCE, UNAUTHORIZED REPAIRS OR ALTERATIONS, UNAPPROVED ATTACHMENTS OR OTHER CAUSES UNRELATED TO PROBLEMS WITH MATERIAL OR WORKMANSHIP ARE NOT COVERED BY THIS WARRANTY.

No employee, agent, dealer or other person is authorized to give any warranties on behalf of Dremel. If Dremel inspection shows that the problem was caused by problems with material or workmanship within the limitations of the warranty, Dremel will repair or replace the product free of charge and return product prepaid. Repairs made necessary by normal wear or abuse, or repair for product outside the warranty period, if they can be made, will be charged at regular factory prices.

DREMEL MAKES NO OTHER WARRANTY OF ANY KIND WHATEVER, EXPRESSED OR IMPLIED, AND ALL IMPLIED WARRANTIES OF MERCHANTABILITY AND FITNESS FOR A PARTICULAR PURPOSE WHICH EXCEED THE ABOVE MENTIONED OBLIGATION ARE HEREBY DISCLAIMED BY DREMEL AND EXCLUDED FROM THIS LIMITED WARRANTY.

This warranty gives you specific legal rights and you may also have other rights which vary from state to state. The obligation of the warrantor is solely to repair or replace the product. The warrantor is not liable for any incidental or consequential damages due to any such alleged defect. Some states do not allow the exclusion or limitation of incidental or consequential damages, so the above limitations or exclusion may not apply to you.

For prices and warranty fulfillment in the continental United States, contact your local Dremel distributor.

Exportado por: Robert Bosch Tool Corporation Mt. Prospect, IL 60056 -2230, E.U.A.

Importado a México por: Robert Bosch, S. de R.L. de C.V.
 Calle Robert Bosch No. 405 - 50071 Toluca, Edo. de Méx. - México
 Tel. 052 (722) 279 2300 ext 1160 / Fax. 052 (722) 216-6656



2 6 1 0 0 1 6 5 8 9