

HIGHLINE® CLASSIC

THE COMPLETE SOLUTION® DUAL FLUSH® TOILET K-45979

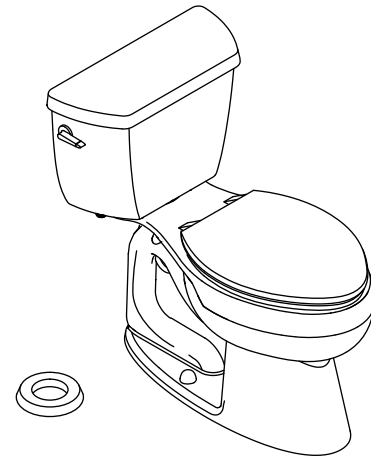
Features

- Vitreous china
- Elongated bowl
- Comfort Height®
- Class Five® dual flushing system
- Includes seat, cover, wax ring, polished chrome trip lever and floor hardware
- Less supply
- 12" (305 mm) rough-in
- High efficiency 1.6 gpf (6 lpf) or 1.1 gpf (4.2 lpf)
- 2-1/8" (54 mm) glazed trapway
- 11-3/8" (289 mm) x 8" (203 mm) water area
- 29-1/2" (749 mm) x 19-5/8" (498 mm) x 30-3/8" (772 mm)

ADA

CSA B651

OBC



Codes/Standards Applicable

Specified model meets or exceeds the following:

- ADA
- ICC/ANSI A117.1
- CSA B651
- OBC
- ASME A112.19.2/CSA B45.1
- EPA WaterSense®

Colors/Finishes

- 0: White
- Other: Refer to Price Book for additional colors/finishes

Accessories

- 0: White
- Other: Refer to Price Book for additional colors/finishes

Specified Model

Model	Description	Trip Lever	Colors/Finishes	
K-45979	The Complete Solution dual flush toilet	left-hand	<input type="checkbox"/> 0	<input type="checkbox"/> Other_____
Recommended Accessories				
K-4731	Stronghold™ elongated open-front toilet seat – for Accessibility compliance		<input type="checkbox"/> 0	<input type="checkbox"/> 96 <input type="checkbox"/> Other_____
K-7637	Angle supply with stop – 3/8" NPT		<input type="checkbox"/> CP	<input type="checkbox"/> Other_____

Product Specification

The Comfort Height elongated bowl toilet shall be made of vitreous china. Product shall be 29-1/2" (749 mm) in length, 19-5/8" (498 mm) in width, and 30-3/8" (772 mm) in height with a 11-3/8" (289 mm) x 8" (203 mm) water area water area. Product shall be for 12" (305 mm) rough-in and less supply. Product shall feature a high efficiency 1.6 gpf (6 lpf) or 1.1 gpf (4.2 lpf) and Class Five dual flushing system. Product shall include seat, cover, wax ring, polished chrome trip lever, and floor hardware. Product shall have a 2-1/8" (54 mm) glazed trapway. Toilet shall be Kohler Model K-45979-_____.

HIGHLINE® CLASSIC

Technical Information

Fixture:	
Configuration	two-piece, elongated
Water per flush	1.1 gal (4.2 L) or 1.6 gal (6 L)
Passageway	2-1/8" (54 mm)
Water area	11-3/8" (289 mm) x 8" (203 mm)
Water depth from rim	5-3/8" (137 mm)
Seat post hole centers	5-1/2" (140 mm)
Included components:	
Bowl	K-4199
Tank	K-4136
Tank cover	84591
Trip lever	K-9237
Toilet seat	K-4664
Wax ring and hardware installation kit	1023457
Bolt cap accessory pack	1013092

Installation Notes

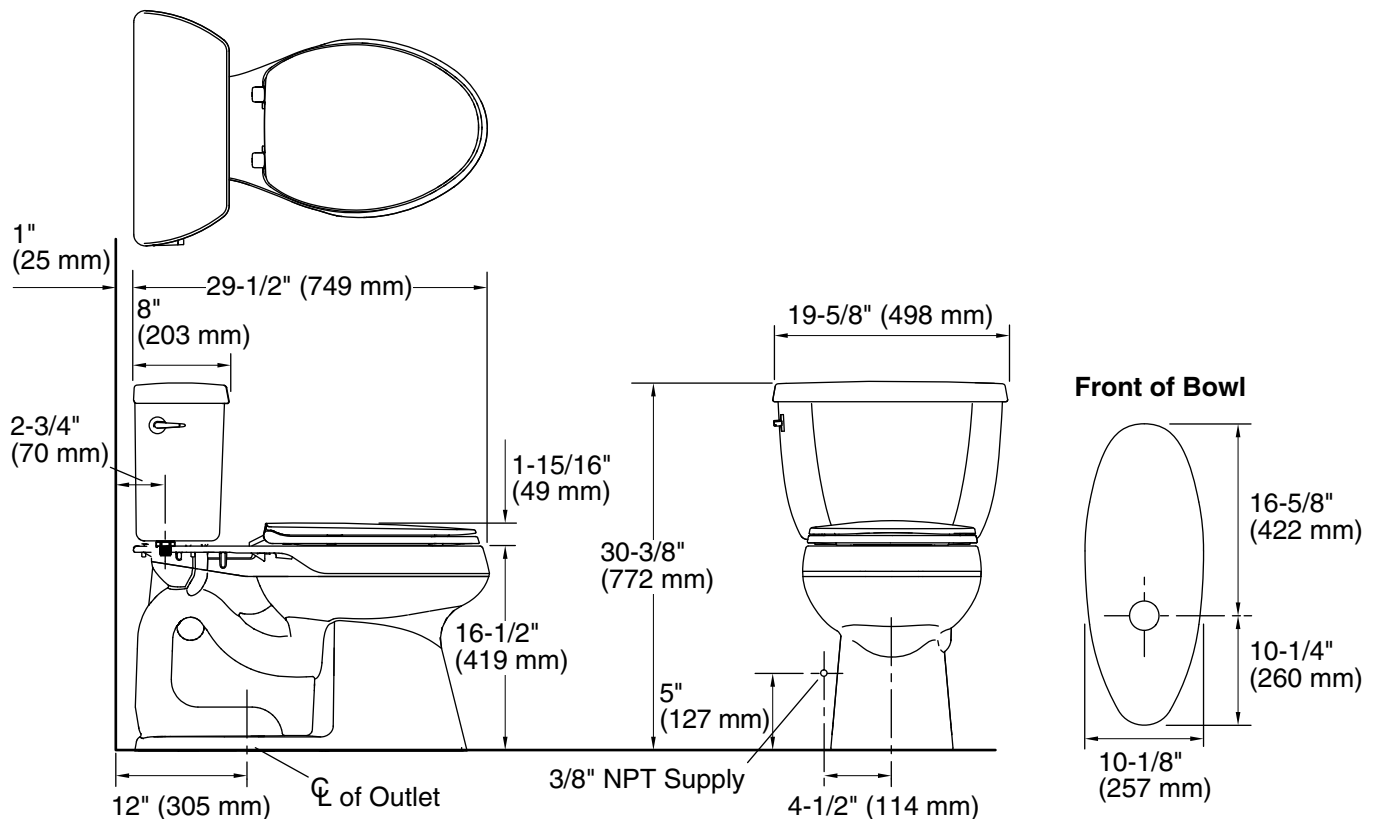
Install this product according to the installation guide.

Will comply with the American Disabilities Act (**ADA**) when installed per the requirements of the Accessibility Guidelines, Section 604 Water Closets, of the Act. The Model Plumbing Codes require the installation of elongated open-front toilet seats in public bathrooms.

Will comply with **CSA B651** when installed per Clause 4.3.6 of the standard.

Will comply with **OBC** Barrier Free requirements when installed per Clause 3.8.3.8 and 3.8.3.9.

For back-to-back installations, the toilet shall be connected to the vertical stack using one of the three following fittings: double fixture fitting, double combination wye and 1/8 bends, or double wye and 1/8 bends.



Product Diagram