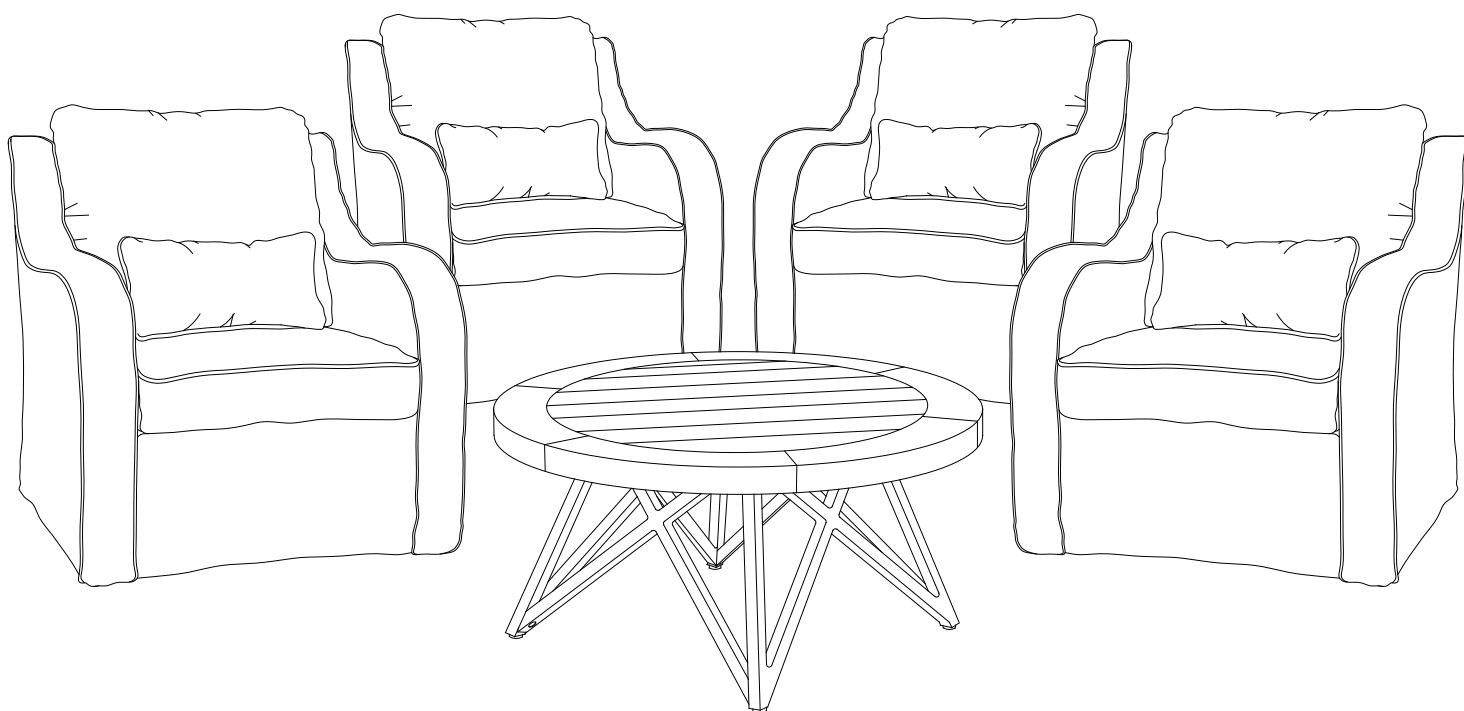


HOME
DECORATORS
COLLECTION

Item # 1002 563 388
Model # FG-ABV5PCDS

USE AND CARE GUIDE

GWENDOLYN 5PC DEEP SEATING SET



Questions, problems, missing parts? Before returning to the store,
call Home Decorators Collection Customer Service
8 a.m. – 7 p.m., EST, Monday – Friday, 9 a.m. – 6 p.m., EST, Saturday

1-800-986-3460

HOMEDEPOT.COM/HOMEDECORATORS

THANK YOU

We appreciate the trust and confidence you have placed in Home Decorators Collection through the purchase of this chat set. We strive to continually create quality products designed to enhance your home. Visit us online to see our full line of products available for your home improvement needs. Thank you for choosing Home Decorators Collection!

Table of Contents

Table of Contents	2	Table Package Contents	5
Safety Information	2	Chair Package Contents.....	6
Warranty	3	Assembly	7
What is Covered.....	3	Table Assembly.....	7
What is Not Covered	3	Chair Assembly	8
Pre-Assembly	4	Care and Cleaning	10
Planning Assembly.....	4		
Hardware Included	4		

Safety Information



DANGER: Please keep children out of the assembly area before assembly.



IMPORTANT: Please check the tightness of the bolts at least every 90 days.



WARNING: Do not put heavy objects on the table and chair.

Warranty

7 YEAR LIMITED WARRANTY

WHAT IS COVERED

Residential use of this furniture is warranted for a seven (7) year limited warranty period for the frame construction. The warranty is valid from the date of purchase and applies only to the original purchaser. If your Home Decorators Collection outdoor furniture fails structurally during normal use (other than damage as a result of dropping or breaking a cast part) within seven (7) years of purchase, the manufacturer will repair or replace the frame at its discretion with the same or similar product if the original product is discontinued, at no charge. Cushions are warranted for a one (1) year period against seams separating or tearing. Cushions are covered under the Sunbrella® 5 year limited warranty. The finish is warranted against peeling, cracking or blistering for a period of one (1) year provided the product has not been scratched or abraded. Scratches and chips resulting from normal wear and tear are not covered. Straps and/or wicker weave are warranted for a period of one (1) year against separation or tearing. Fading of the finish, straps and/or wicker weave resulting from exposure to elements is not covered. Stains as a result of chemical spills and certain food items are not covered.

WHAT IS NOT COVERED

The following are expressly excluded from warranty coverage: failure caused by unreasonable or abusive use; furniture that was sold as clearance items, display models, or items purchased in "as is" condition; freight damage; furniture damaged by acts of nature, vandalism, fire, abuse, lack of proper care and maintenance, or improper assembly; normal fading of straps and fabric; discoloration of frame or fabric from exposure to elements, oils, spills, fluids or chemicals; table top breakage; hardware corrosion or rusting; buckling or splitting of tubing resulting from exposure to water and freezing temperatures; glass table tops; purchased or replacement parts; and plastics. Also excluded from warranty coverage is lost time of use and/or money, inconvenience, travel, packaging, or any other consequential or incidental damages. In no event shall the manufacturer's responsibility exceed the value of the replacement product. Warranty is to the original purchaser when items are purchased from one of our authorized retailers, and is not transferable. All warranty claims must be submitted with a dated register receipt within the warranty period. Should replacement of the warranted item be unavailable, the manufacturer reserves the right to substitute items of its choice similar in style, color and quality. For quality control purposes and verification, we reserve the right to request photographs of the damaged item(s). The terms of this warranty are subject to change without notice. Shipping and handling charges are at all times the responsibility of the claimant. We do not ship outside of the North American continent.

Contact the Customer Service Team at 1-800-986-3460 or visit www.HomeDepot.com/HomeDecorators.

Pre-Assembly

PLANNING ASSEMBLY

It will take one or two people about 20 minutes to complete the assembly process.

PLEASE READ COMPLETE INSTRUCTION MANUAL PRIOR TO ASSEMBLY! Identify all parts packed in the carton against the parts list. Remove all protective materials and place the parts on a nonabrasive surface to avoid scratching.

HARDWARE INCLUDED



NOTE: Hardware not shown to actual size.



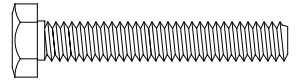
___ **AA**



___ **BB**



___ **CC**



___ **DD**



___ **EE**



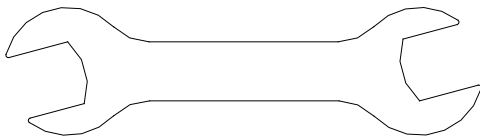
___ **FF**



___ **GG**



___ **HH**



___ **II**

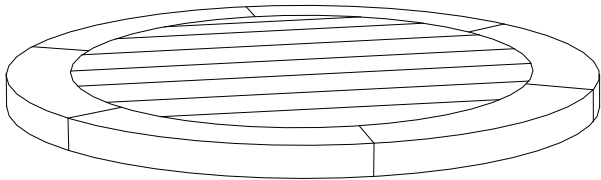


___ **JJ**

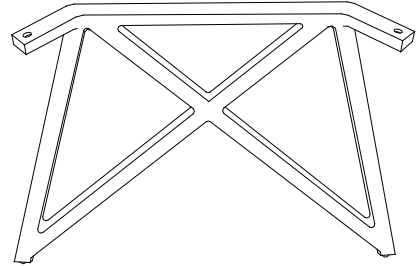
Part	Description	Quantity
AA	Bolt (1/4 in. x 20 mm)	8
BB	Bolt (1/4 in. x 30 mm)	16
CC	Bolt (1/4 in. x 40 mm)	32
DD	Bolt (5/16 in. x 45 mm)	4
EE	Metal Washer (1/4 in.)	40
FF	Metal Washer (5/16 in.)	4
GG	Lock Washer (1/4 in.)	40
HH	Lock Washer (5/16 in.)	4
II	Hex Wrench (5/16 in.)	1
JJ	Hex Screw Driver (1/4 in.)	5

Pre-Assembly (continued)

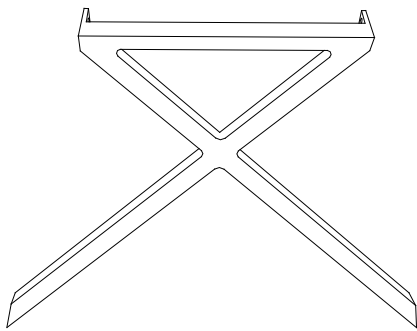
TABLE PACKAGE CONTENTS



_____ A



_____ C

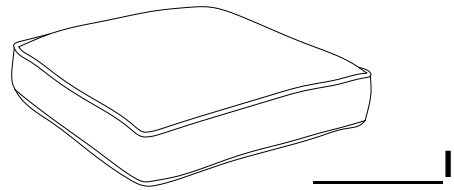
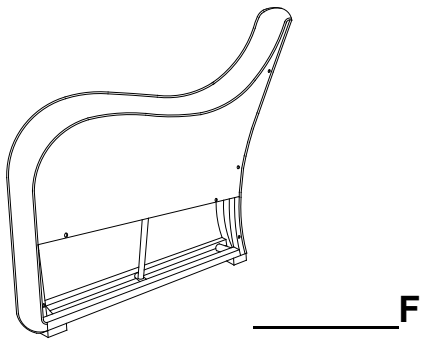
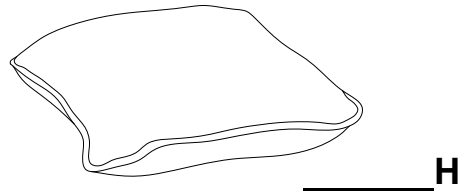
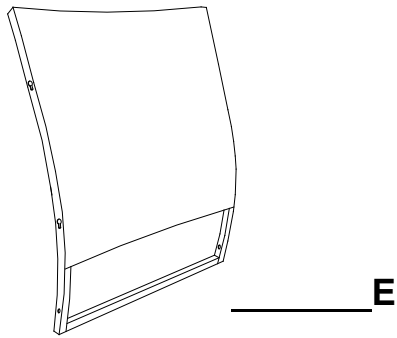
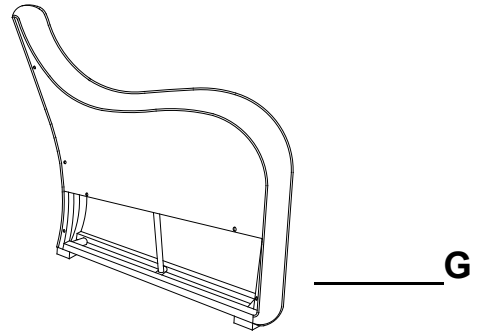
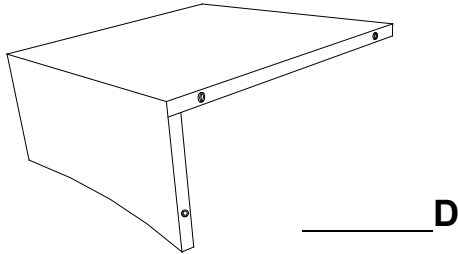


_____ B

Part	Description	Quantity
A	Table Top	1
B	Table Base-1	2
C	Table Base-2	2

Pre-Assembly (continued)

CHAIR PACKAGE CONTENTS



Part	Description	Quantity
D	Seat Panel	4
E	Back Panel	4
F	Right Arm Panel	4
G	Left Arm Panel	4
H	Back Cushion	4
I	Seat Cushion	4
J	Lumbar Pillow	4

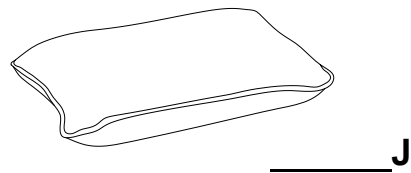


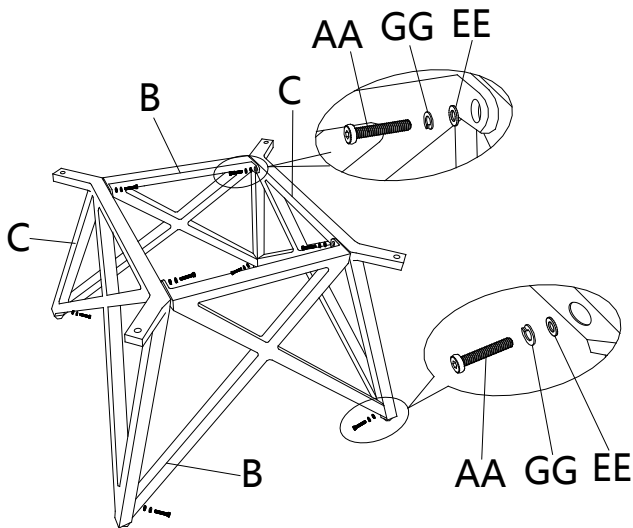
Table Assembly

1 ASSEMBLING THE BASE

- Remove all protective material carefully. Avoid cutting the surface of the furniture while removing the packaging material.
- Secure Table Base-1 (B) to Table Base-2 (C) using Bolts (AA) through Lock Washers (GG) and Flat Washers (EE) with the Hex Screw Driver (JJ). See the Figure.



NOTE: Do not tighten bolts completely until assembly is complete.

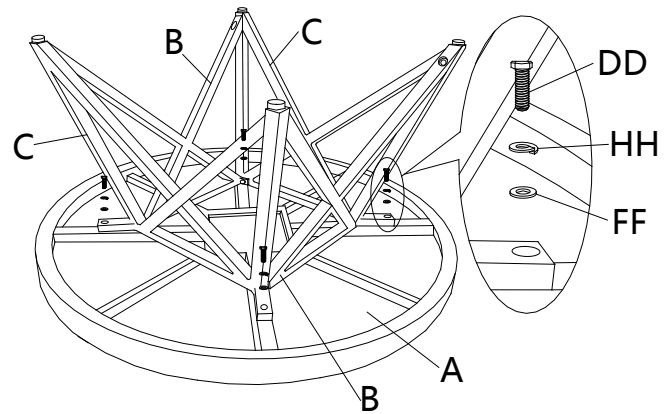


2 ATTACHING THE TABLE TOP TO THE BASE

- Place the Table Top (A) up-side down. Align the Base (B&C) to match the hole placements for the Table Top (A). Loosely secure the Base (B&C) with the Table Top (A) with Bolts (DD) through Lock Washers (HH) and Flat Washers (FF) with the Hex Wrench (II).

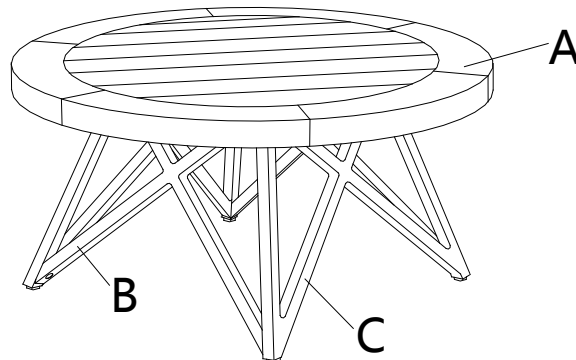


NOTE: Do not tighten bolts completely until assembly is complete.



3 ADJUSTING THE TABLE TOP AND FINISHING ASSEMBLY

- With the help of another person, carefully turn the table to the up-right position. Check the alignment of the table and adjust if necessary. Once the alignment is correct and all the bolts are in place, tighten all the bolts and finish the assembly.



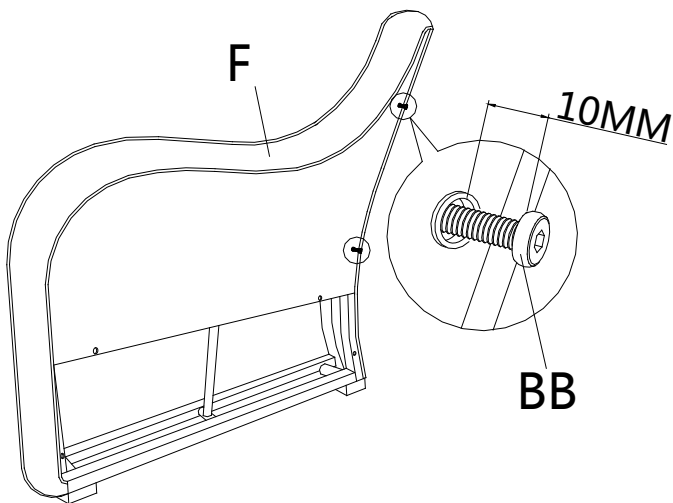
Chair Assembly

1 ADJUSTING THE LEFT AND RIGHT ARM PANEL

- Remove all protective material carefully. Avoid cutting the surface of the furniture while removing the packaging material.
- Identify the Right Arm Panel (F). Attach Bolts (BB) to the Right Arm Panel (F) with the Hex Screw Driver (JJ). Make sure that the bolt heads protrude about 10mm from the Right Arm Panel (F). See figure.
- Repeat the above process to adjust the Left Arm Panel (G).



NOTE: Make sure bolts protrude about 10mm the Arm Panel.

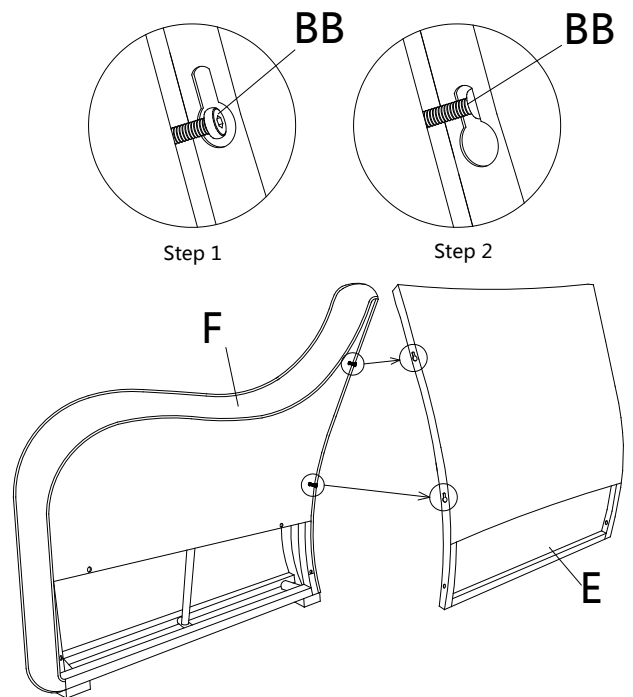


2 HOOKING THE LEFT & RIGHT ARM PANEL TO THE BACK PANEL

- Align the Right Arm Panel (F) with the hole placements from the Back Panel (E). Hook the bolts into the holes and press down to secure. See figure.
- Repeat the above process to hook the Left Arm Panel (G) to the Back Panel (E).



NOTE: Make sure bolts are inserted in the holes and hooked into the back panel at the same time.



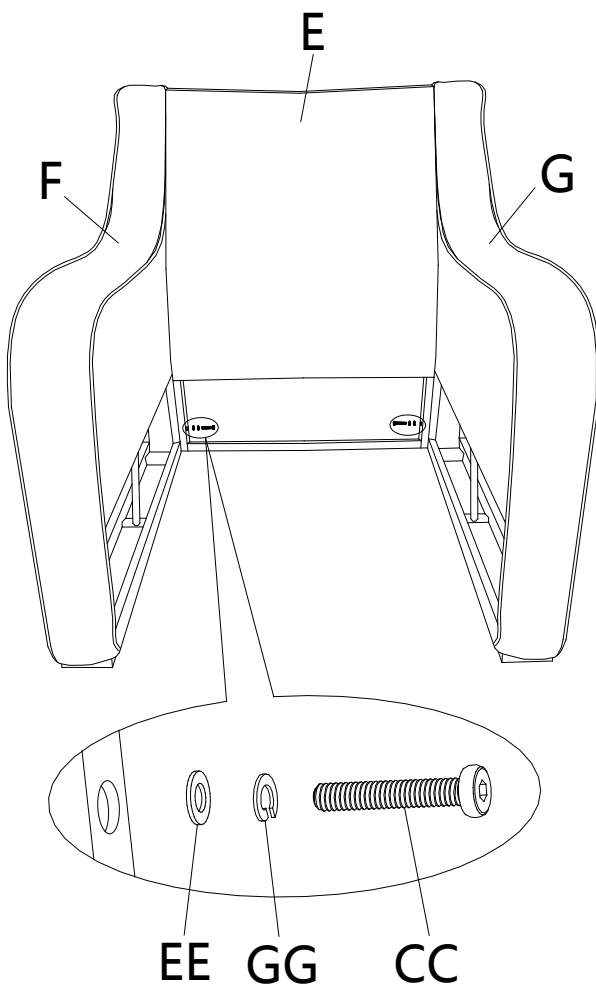
Chair Assembly (continued)

3 SECURING THE ARM PANEL TO THE BACK PANEL

- Secure the Arm Panels (F&G) to the Back Panel (E) using Bolts (CC), Lock Washers (GG), and Flat Washers (EE).



NOTE: Do not tighten bolts completely until assembly is complete.

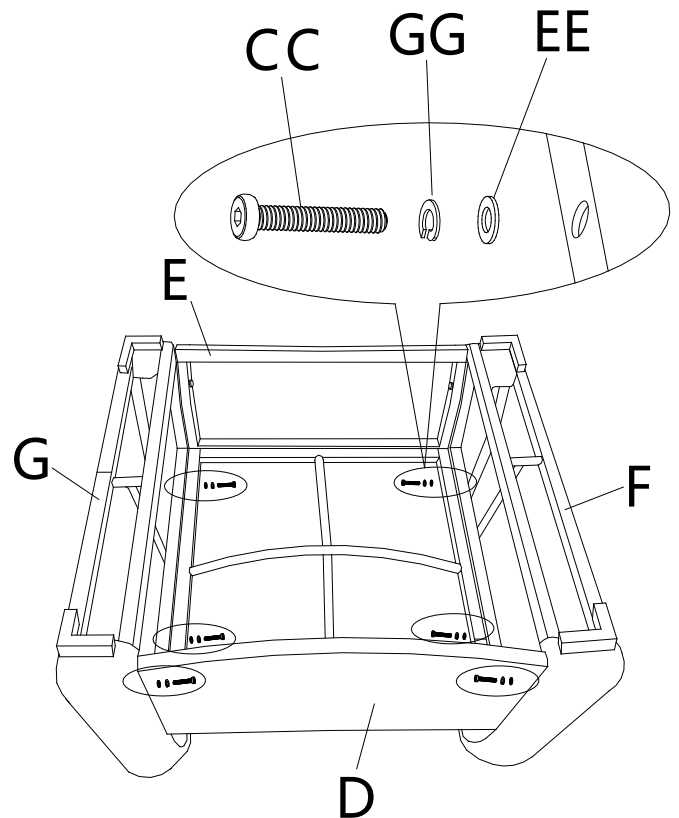


4 ATTACHING THE SEAT PANEL

- Align the Seat Panel (D) to the Arm Panels (F&G). Secure the Seat Panel (D) to the Arm Panels (F&G) with Bolts (CC), Lock Washers (GG), and Flat Washers (EE).



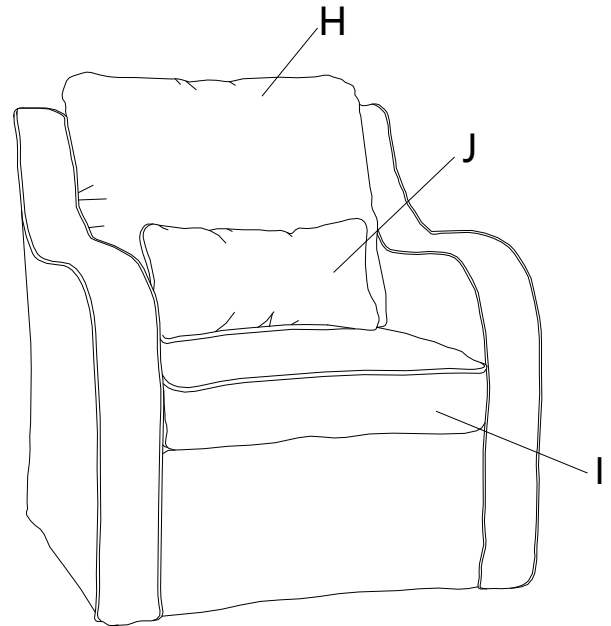
NOTE: Do not tighten bolts completely until assembly is complete.



Chair Assembly (continued)

5 ADJUSTMENT & FINISH ASSEMBLY

- With the help of another person, carefully turn the chair to the up-right position. Check the alignment of the chair and adjust if necessary. Once the alignment is correct and all bolts are in place, tighten all the bolts and finish the assembly.
- Place the Seat Cushion (I), Back Cushion (H) and Lumbar Pillow (J) on the Chair. The Chair is ready for your enjoyment.
- Repeat steps 1-5 to assemble the remaining chairs.



Care and Cleaning

Clean the furniture frame with a wet towel using a mild soap and water solution. Dry completely with a soft towel. Clean cushions and sling seat material with a mild solution of soap and water and hang cushions to drip dry completely. It is recommended that cushions be stored in a dry area during rain and if they are not in use and in direct sunlight. Do not machine wash or dry. Do not use bleach or strong solvents to clean any of your patio furniture. It will harm both fabrics and metal finishes. Caution should be used when using oils, lotions and other chemicals such as chlorine or repeated exposure to extreme weather conditions (including heat), which may cause permanent discoloration to the fabric. To maintain and protect the furniture, always cover it with an outdoor furniture cover or store in a safe dry area when not in use for long periods of time.

You may contact our customer service department with any questions by phone at 1-800-986-3460 or visit www.HomeDepot.com/HomeDecorators

HOME DECORATORS COLLECTION

Questions, problems, missing parts? Before returning to the store,
call Home Decorators Collection Customer Service
8 a.m. – 7 p.m., EST, Monday – Friday, 9 a.m. – 6 p.m., EST, Saturday

1-800-986-3460

[HOMEDEPOT.COM/HOMEDECORATORS](https://www.homedepot.com/homedecorators)

Retain this manual for future use.