








Examine all packaging material for small parts that may have come loose during shipment. Periodic checks are recommended to insure that all components are in proper position, tight and free from damage. Keep this assembly instruction for future reference. Adult assembly is required. The product of Hillsdale Furniture, LLC is designed for residential use only. Customer Service Phone Number: 502-562-0000

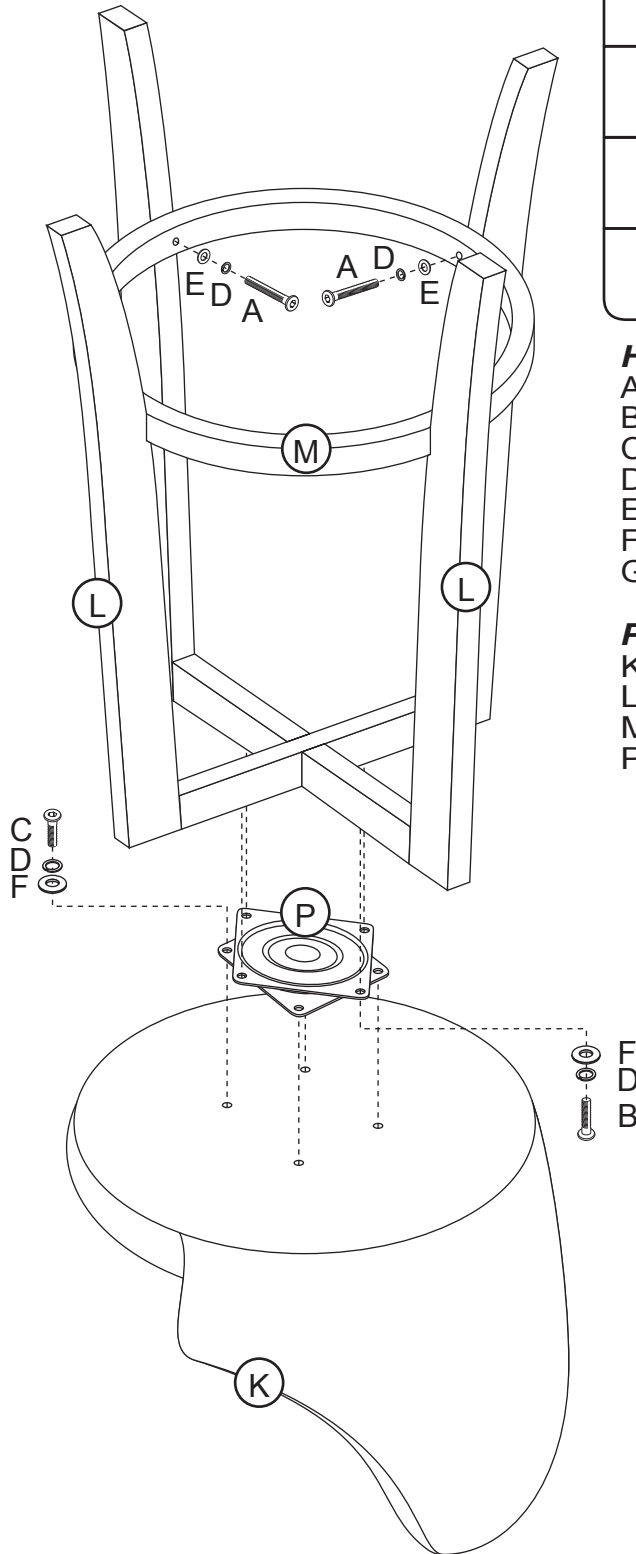
| PART | QTY | HARDWARE | PART | QTY | HARDWARE |
|------|-----|--|------|-----|---|
| A | 4 |  | B | 4 |  |
| C | 4 |  | D | 12 |  |
| E | 4 |  | F | 8 |  |
| G | 1 |  | | | |

HARDWARE LIST

- A (4) Allen Bolts M6 x 50mm
- B (4) Allen Bolts M6 x 25mm
- C (4) Allen Bolts M6 x 20mm
- D(12) Spring Washers
- E (4) Small Flat Washers
- F (8) Large Flat Washers
- G (1) Allen Wrench

PARTS LIST

- K (1) Seat Base
- L (2) Leg Panels
- M (1) Support Ring
- P (1) Swivel Metal Plate



STEP 1

Begin the assembly by attaching the Leg Panels (L) together by crossing in place. Once in place attach the Support Ring (M) to the inside of each leg by aligning holes and securing with 1 Allen Bolt (A), 1 Spring Washer (D) & 1 Flat Washer (E). Tighten all bolts using the Allen Wrench (G) that has been provided.

STEP 2

Next attach the Swivel Metal Plate (P) to the top of the Leg Panel (L) using 4 Allen Bolts (B), 4 Spring Washers (D) & 4 Flat Washers (F) to secure in place. Tighten all bolts.

STEP 3

Finally attach the Seat Base (K) to the Swivel Metal Plate (P) with 4 Allen Bolts (C), 4 Spring Washers (D) & 4 Flat Washers (F) to secure in place. Tighten all bolts. The assembly is now complete.