

HOME DECORATORS

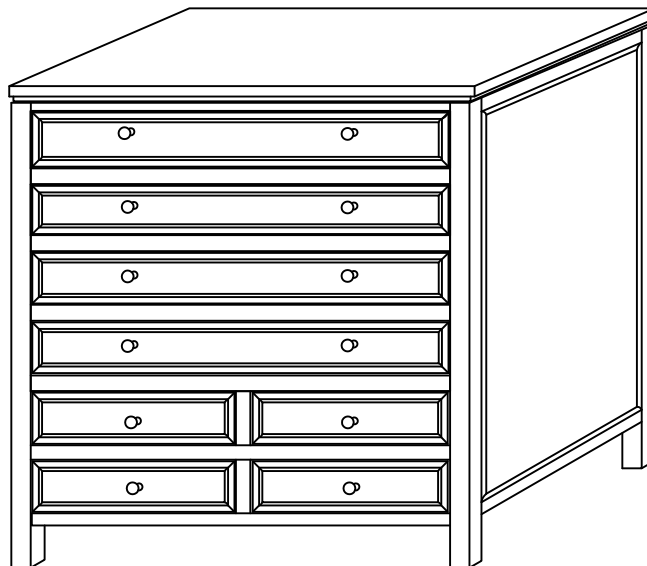
— *collection* —

BF-24672 MSL FLAT-FILE CABINET W/DRWRS 36"H×42"W

INV#04640

ASSEMBLY INSTRUCTIONS

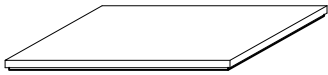
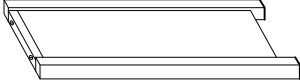
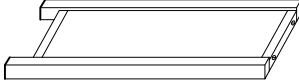
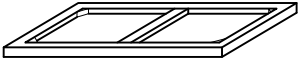
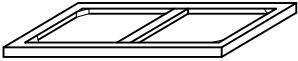
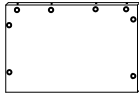
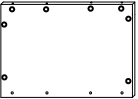
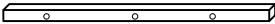
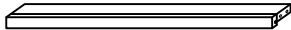
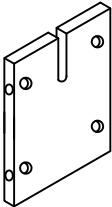
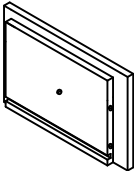
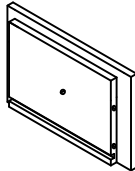
Made In China



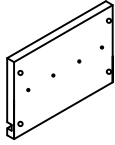
Thank you for purchasing this quality product. Be sure to check all packing material carefully for small parts, which may have come loose inside the carton during shipment. Count all parts and material hardware, then compare with parts list to be sure all parts are present. If any parts are missing or damaged, phone, fax, or e-mail to our Customer service Department for efficient and speedy service. Please indicate the model number and code letter of part(s) needed.

IMPORTANT NOTE: Follow instructions listed below in proper sequence as numbered to assure fast, easy and correct assembly.

PARTS LIST

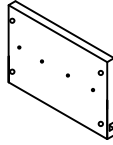
A	B	C
		
TOP PANEL-1PC	RIGHT SIDE PANEL-1PC	LEFT SIDE PANEL-1PC
D	E	F
		
LARGE ACROSS PANEL-1PC	BOTTOM PANEL-1PC	UP BACK PANEL-1PC
G	H	I
		
DOWN BACK PANEL-1PC	ADORNING PANEL-1PC	SMALL ACROSS PANEL-4PCS
J	K	L
		
STAND PANEL-1PC	UP RIGHT SMALL DRAWER PANEL FRONT-1PC	UP LEFT SMALL DRAWER PANEL FRONT-1PC

M



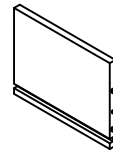
UP SMALL LEFT
DRAWER SIDE PANELS-2PCS

N



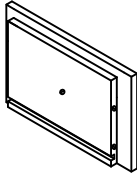
UP SMALL RIGHT
DRAWER SIDE PANELS-2PCS

O



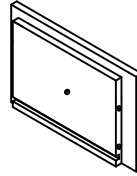
UP SMALL
DRAWER PANEL BACKS-2PCS

P



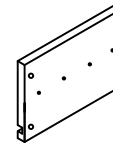
LEFT SMALL
DRAWER PANEL FRONT-1PC

Q



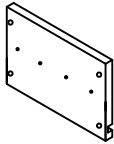
RIGHT SMALL
DRAWER PANEL FRONT-1PC

R



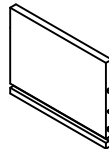
SMALL LEFT
DRAWER SIDE PANELS-2PCS

S



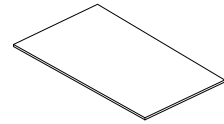
SMALL RIGHT
DRAWER SIDE PANELS-2PCS

T



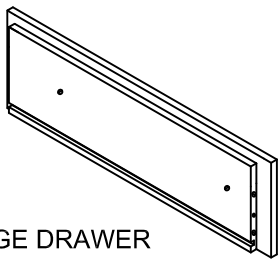
SMALL
DRAWER PANEL BACKS-2PCS

U



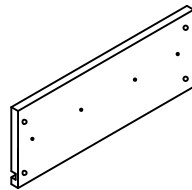
SMALL
DRAWER PANEL BOTTOMS-4PCS

V



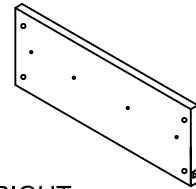
LARGE DRAWER
PANEL FRONTS-4PCS

W



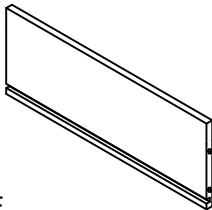
LARGE LEFT
DRAWER SIDE PANELS-4PCS

X



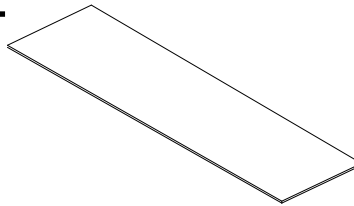
LARGE RIGHT
DRAWER SIDE PANELS-4PCS

Y



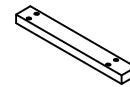
LARGE
DRAWER PANEL BACKS-4PCS

Z



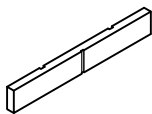
LARGE
DRAWER PANEL BOTTOMS-4PCS

A1



DRAWER SUPPORT PANELS-8PCS

B1



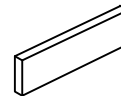
DRAWER STAND PANELS-4PCS

C1



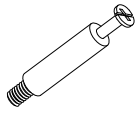
DRAWER
SMALL ACROSS PANELS-8PCS

D1



DRAWER
LARGE ACROSS PANELS-4PCS

E1



CAM-BOLTS-36PCS

F1



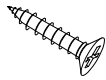
CAM-LOCKS-36PCS

G1



SCREWS-12PCS

H1



SCREWS-96PCS

I1



KNOBS-12PCS

J1



DOWELS-8PCS

K1



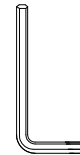
CAM-TOOL-1PC

L1



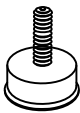
SCREWS-12PCS

M1



ALLEN WRENCH-1PC

N1



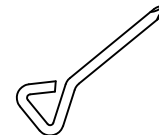
FEET-4PCS

O1



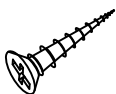
SCREWS-16PCS

P1



WRENCH-1PC

Q1



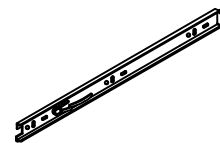
SCREWS-3PCS

R1



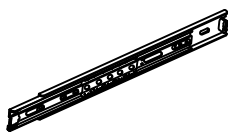
SCREWS-96PCS

S1



INNER SLIDES-16PCS

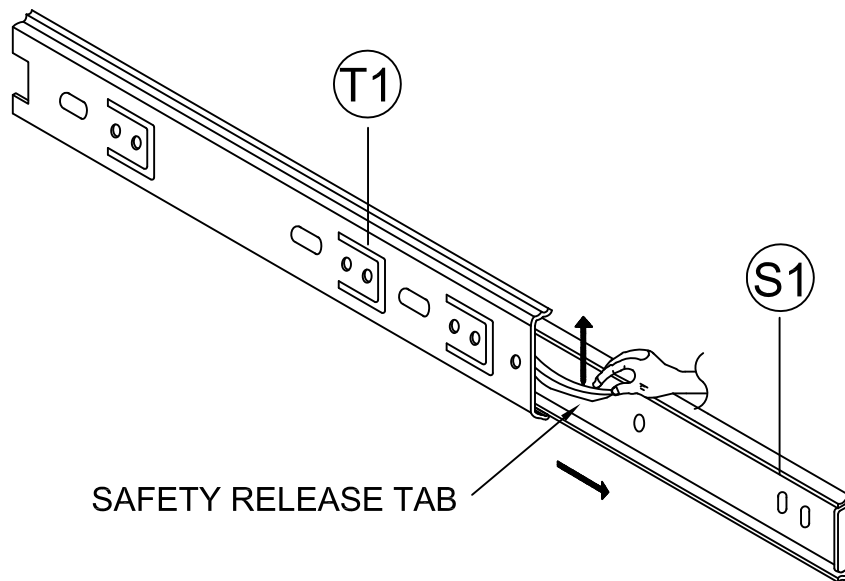
T1



OUTER SLIDES-16PCS

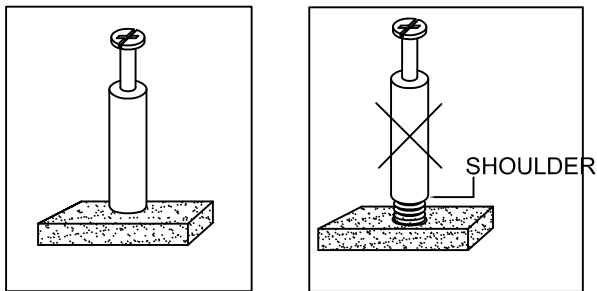
NOTE: THE SURFACE WITH THE STICKER IS THE BACK SIDE.

HOW TO SEPARATE GLIDES



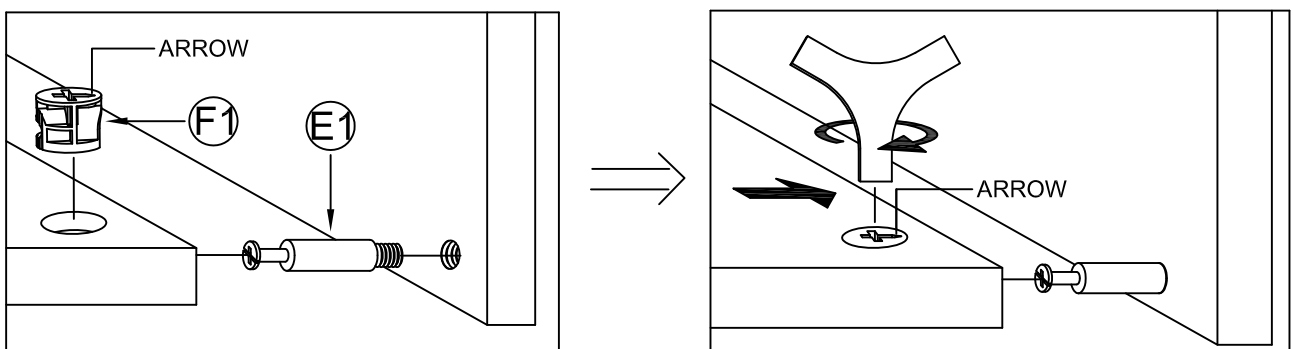
PRIOR TO ASSEMBLY, WE SUGGEST SEPARATING THE INNER GLIDES FROM THE OUTER-GLIDES, SIMPLY PULL THE LEFT/RIGHT INNER GLIDES FROM THE OUTER GLIDES EXPOSING A SMALL BLACK SAFELY RELEASE TAB, BY PUSHING THE SAFETY RELEASE TAB. YOU WILL BE ABLE TO SEPARATE THE GLIDE

NOTE: • UPON OPENING THOROUGHLY CLEAN ALL WOODS SURFACES TO REMOVE DUST AND DIRT THAT MAY HAVE SETTLED ONTO FINISH DURING SHIPMENT. IN ORDER TO PREVENT DAMAGE DURING ASSEMBLY, PLEASE ASSEMBLE THIS ITEM WITH AT LEAST TWO PEOPLE.

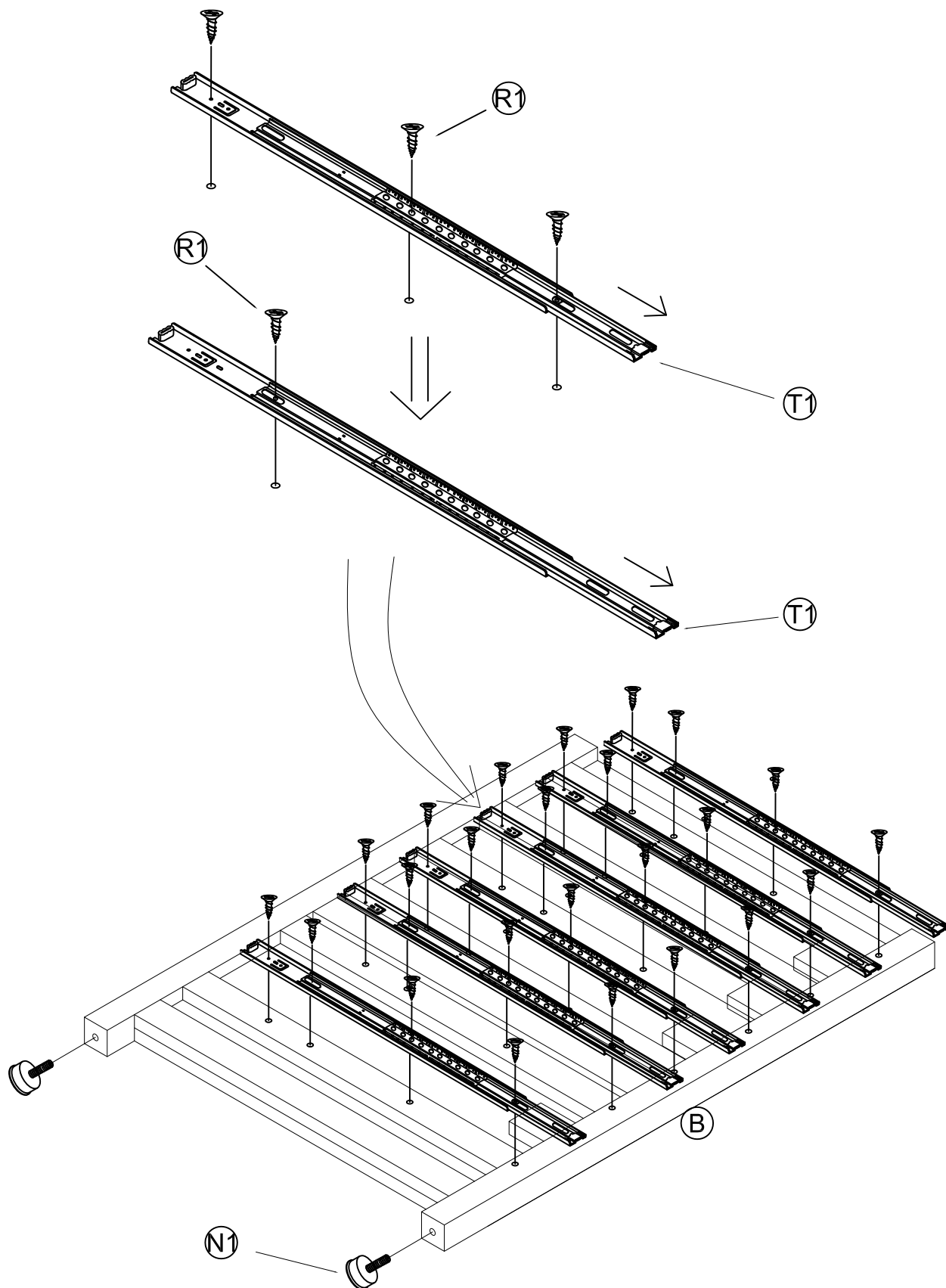


NOTE: TURN THE CAM-BOLT SCREWS UNTIL THEY ARE TIGHT, THE SHOULDER SHOULD BE AGAINST THE SURFACE OF THE PART.

HOW TO USE THE CAM-TOOL

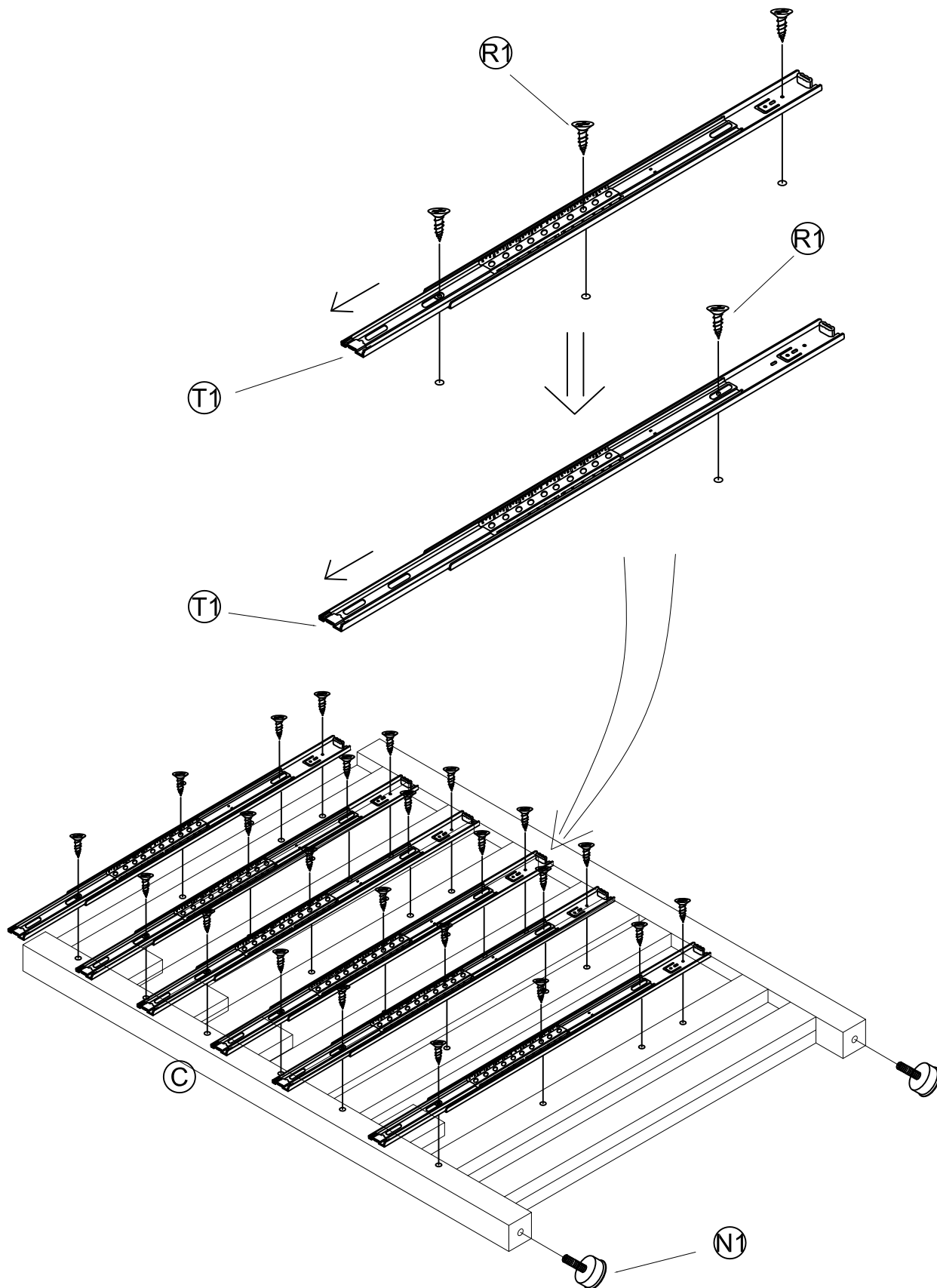


NOTE: • THE ARROWS ON THE HIDDEN CAM-LOCKS SHOULD POINT TO THE CAM-BOLTS



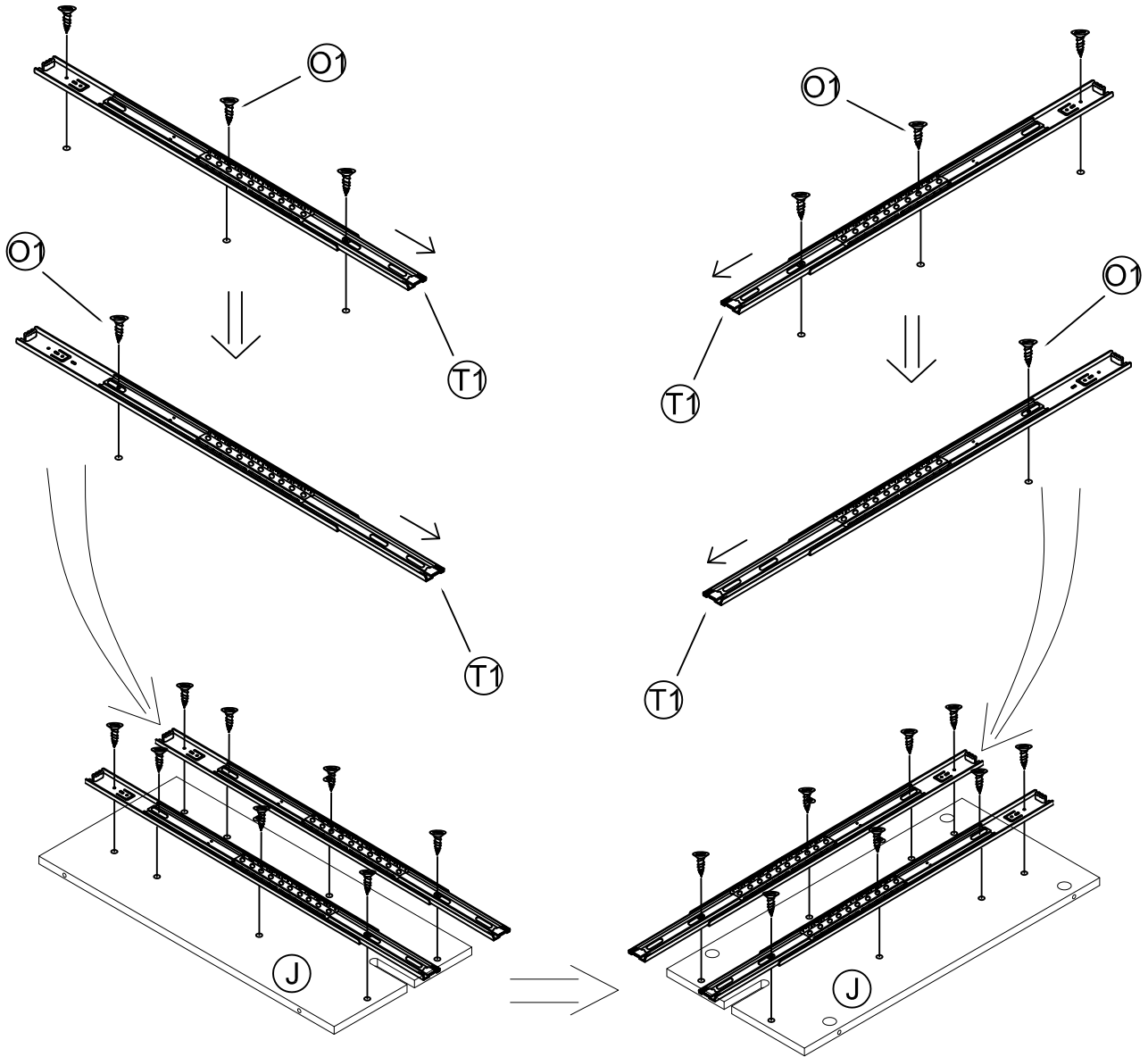
1). ASSEMBLE THE OUTER SLIDE(T1) AND FEET(N1).

- ATTACH 6 OUTER SLIDES(T1) TO SIDE PANEL(B) USING 24 SCREWS(R1).
- ROTATE THE 2 FEET(N1) INTO THE HOLES IN THE SIDE PANEL(B).



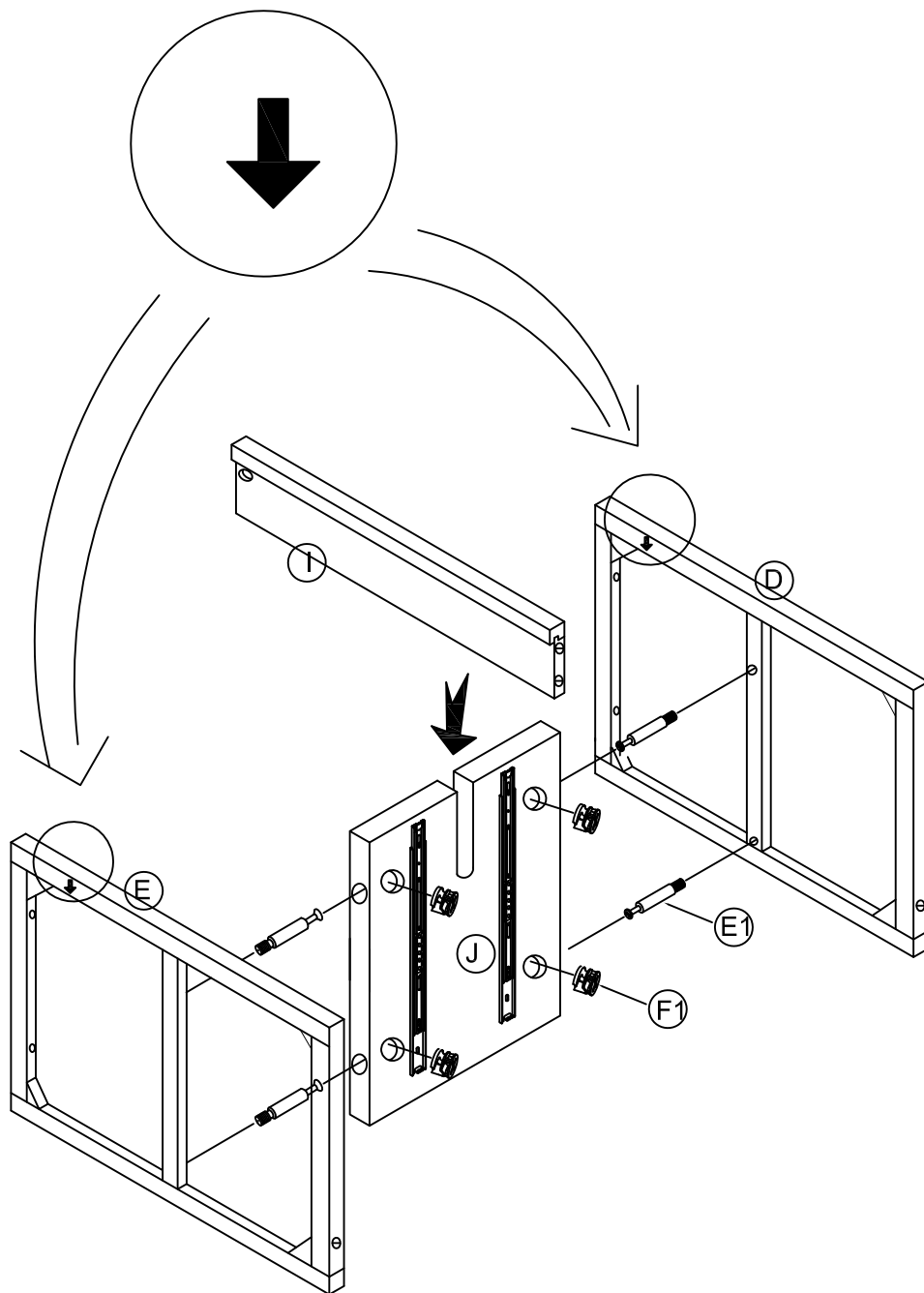
2). ASSEMBLE THE OUTER SLIDE(T1) AND FEET(N1).

- ATTACH 6 OUTER SLIDES(T1) TO SIDE PANEL(C) USING 24 SCREWS(R1).
- ROTATE THE 2 FEET(N1) INTO THE HOLES IN THE SIDE PANEL(C).



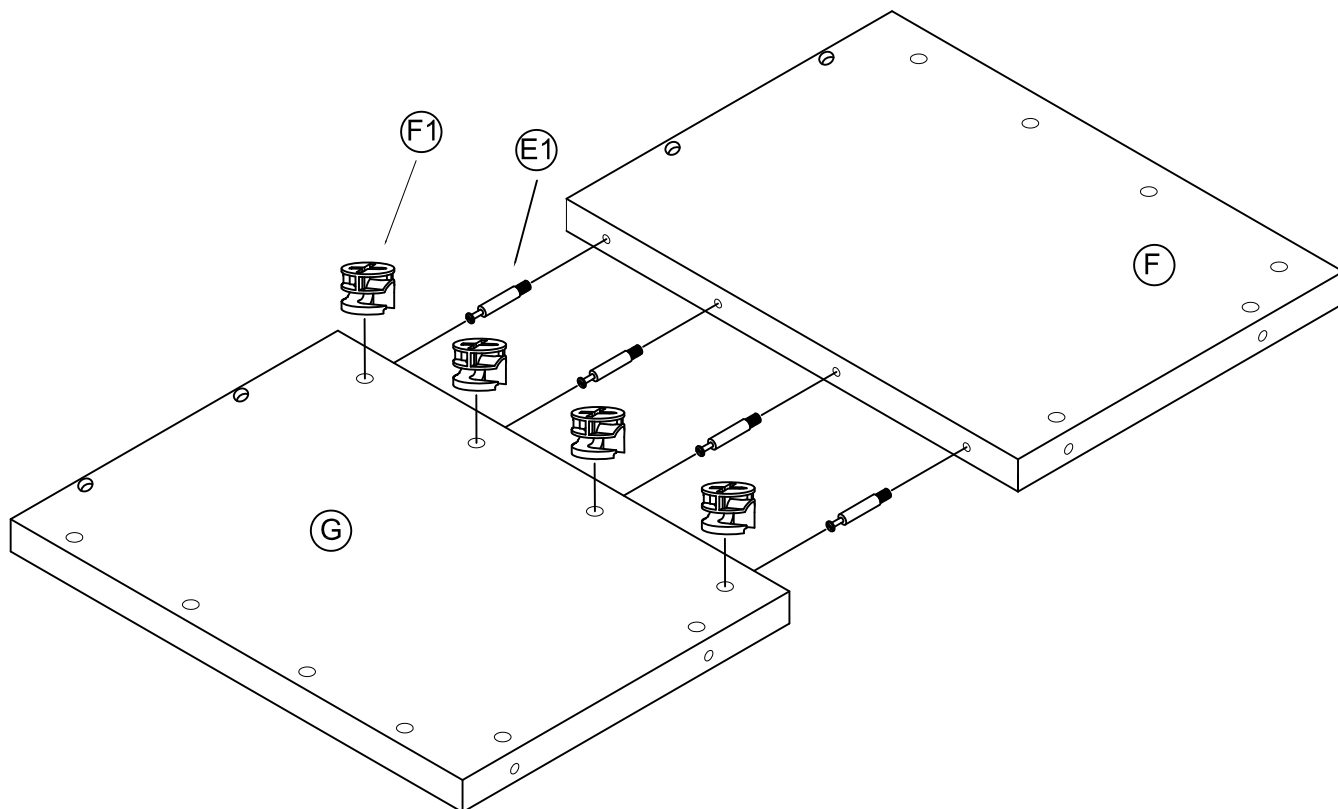
3). ASSEMBLE THE OUTER SLIDE(T1).

- ATTACH 4 OUTER SLIDES(T1) TO STAND PANEL(J) USING 16 SCREWS(O1).



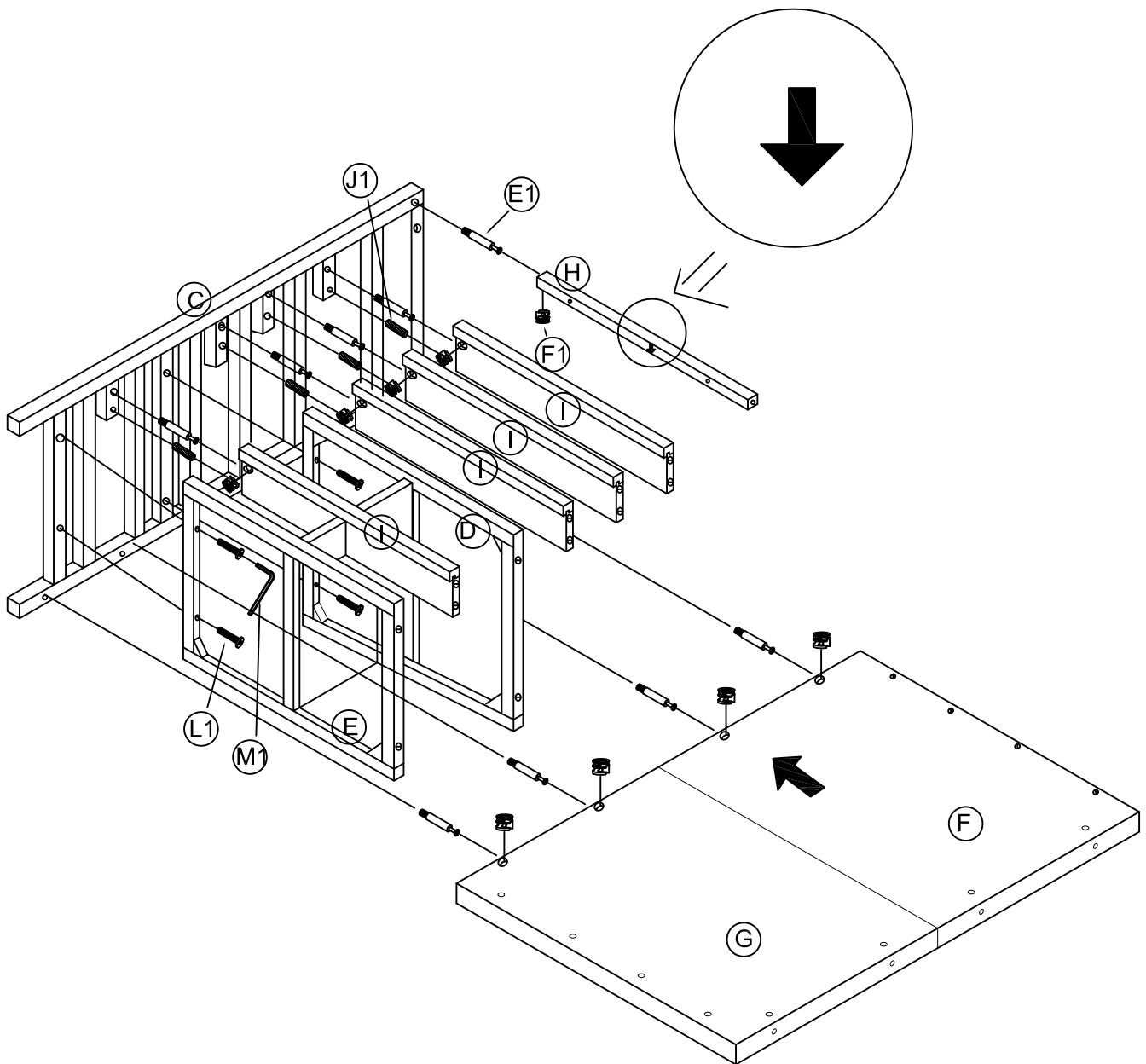
4). ASSEMBLE ACROSS/BOTTOM PANEL(D/E) AND PANEL(J).

- ROTATE THE 4 CAM-BOLTS(E1) INTO THE HOLES IN THE ACROSS/BOTTOM PANELS(D/E).
- PLACE CAM-BOLTS(E1) INTO THE HOLES IN THE PANEL(J) AND ATTACH USING 4 CAM-LOCKS(F1).
- FINALLY, INSERT ACROSS PANEL(I) INTO THE GROOVE IN THE STAND PANEL(J).



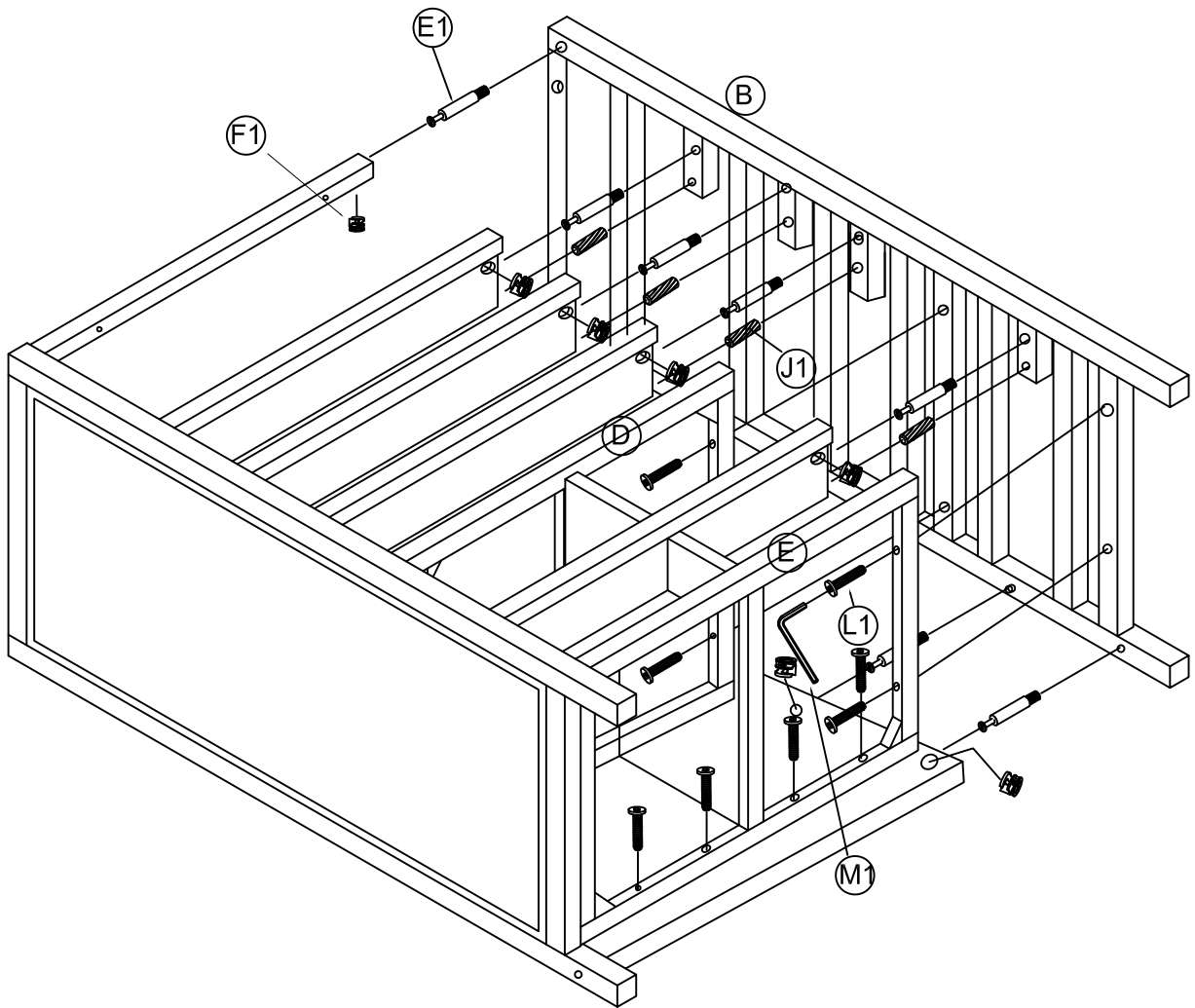
5). ASSEMBLE THE BACK PANEL(F/G).

- ROTATE THE 4 CAM-BOLTS(E1) INTO THE HOLES IN THE UP BACK PANEL(F).
- PLACE CAM-BOLTS(E1) INTO THE HOLES IN THE PANEL(G) AND ATTACH USING 4 CAM-LOCKS(F1).



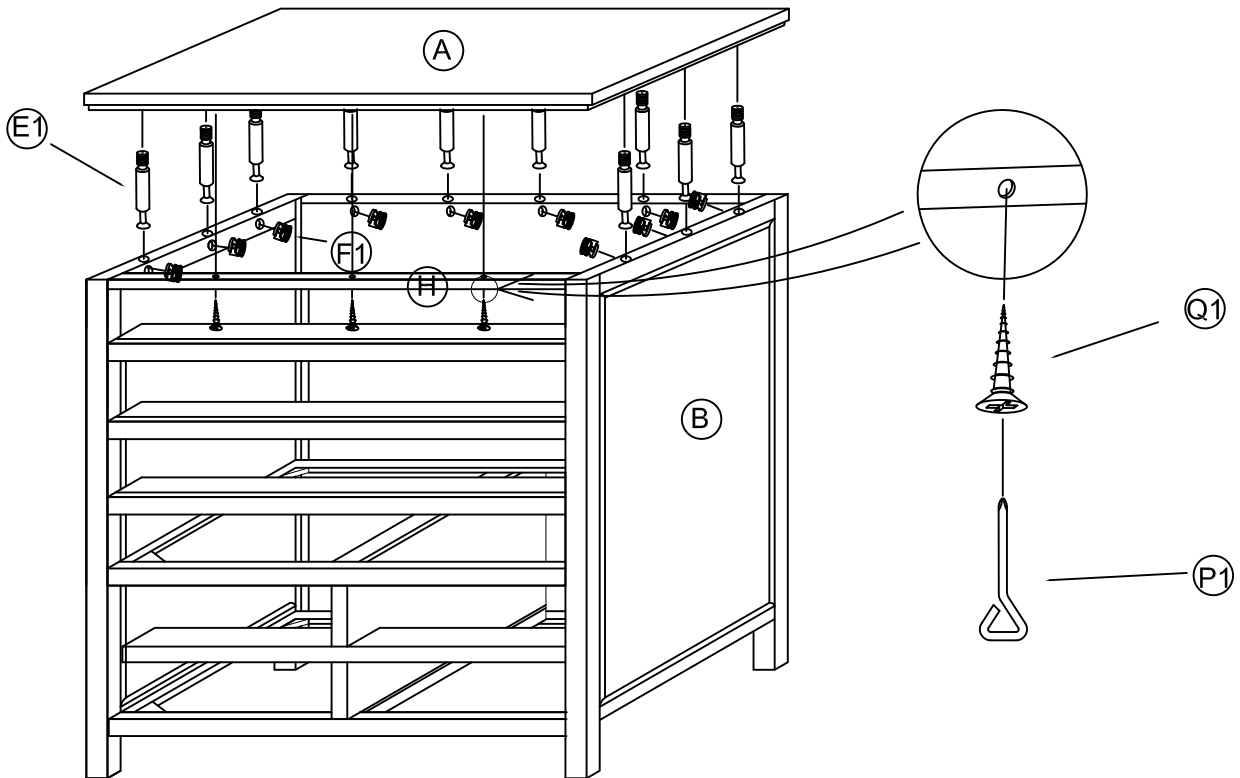
6). ASSEMBLE THE LEFT SIDE PANEL(C).

- INSERT 4 DOWELS(J1) INTO THE HOLES IN THE PANEL(C).
- ROTATE THE 9 CAM-BOLTS(E1) INTO THE HOLES IN THE LEFT SIDE PANEL(C).
- PLACE CAM-BOLTS(E1) INTO THE HOLES IN THE PANELS(H/I/F/G) AND ATTACH USING 9 CAM-LOCKS(F1).
- FINALLY, ATTACH PANELS(D/E) TO LEFT SIDE PANEL(C) USING 4 SCREWS(L1).



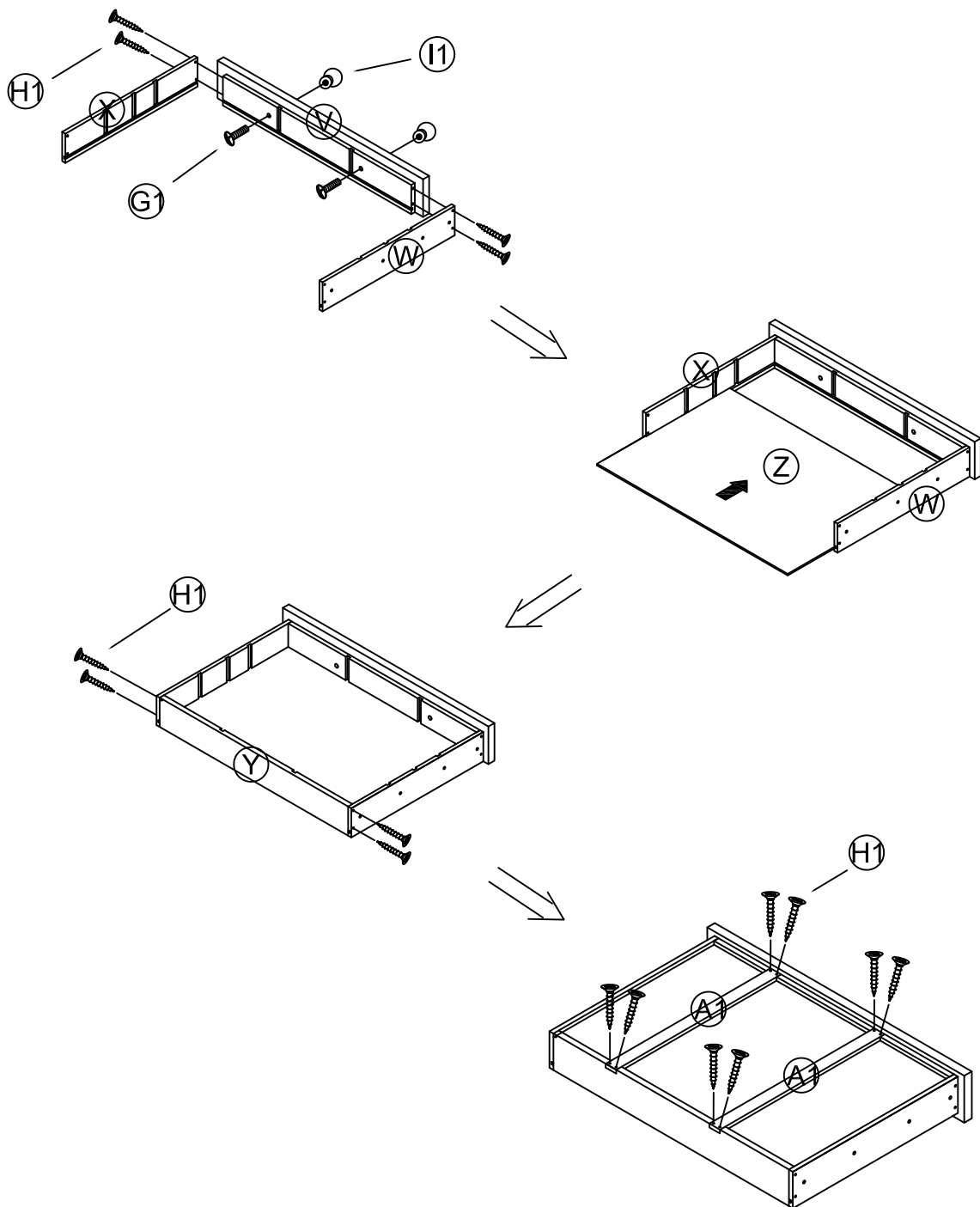
7). ASSEMBLE THE RIGHT SIDE PANEL(B).

- INSERT 4 DOWELS(J1) INTO THE HOLES IN PANEL(B).
- ROTATE THE 9 CAM-BOLTS(E1) INTO THE HOLES IN THE RIGHT SIDE PANEL(B).
- PLACE CAM-BOLTS(E1) INTO THE HOLES IN THE PANELS(H/I/F/G) AND ATTACH USING 9 CAM-LOCKS(F1).
- FINALLY, ATTACH PANELS(D/E) TO RIGHT SIDE PANEL(B) USING 8 SCREWS(L1).



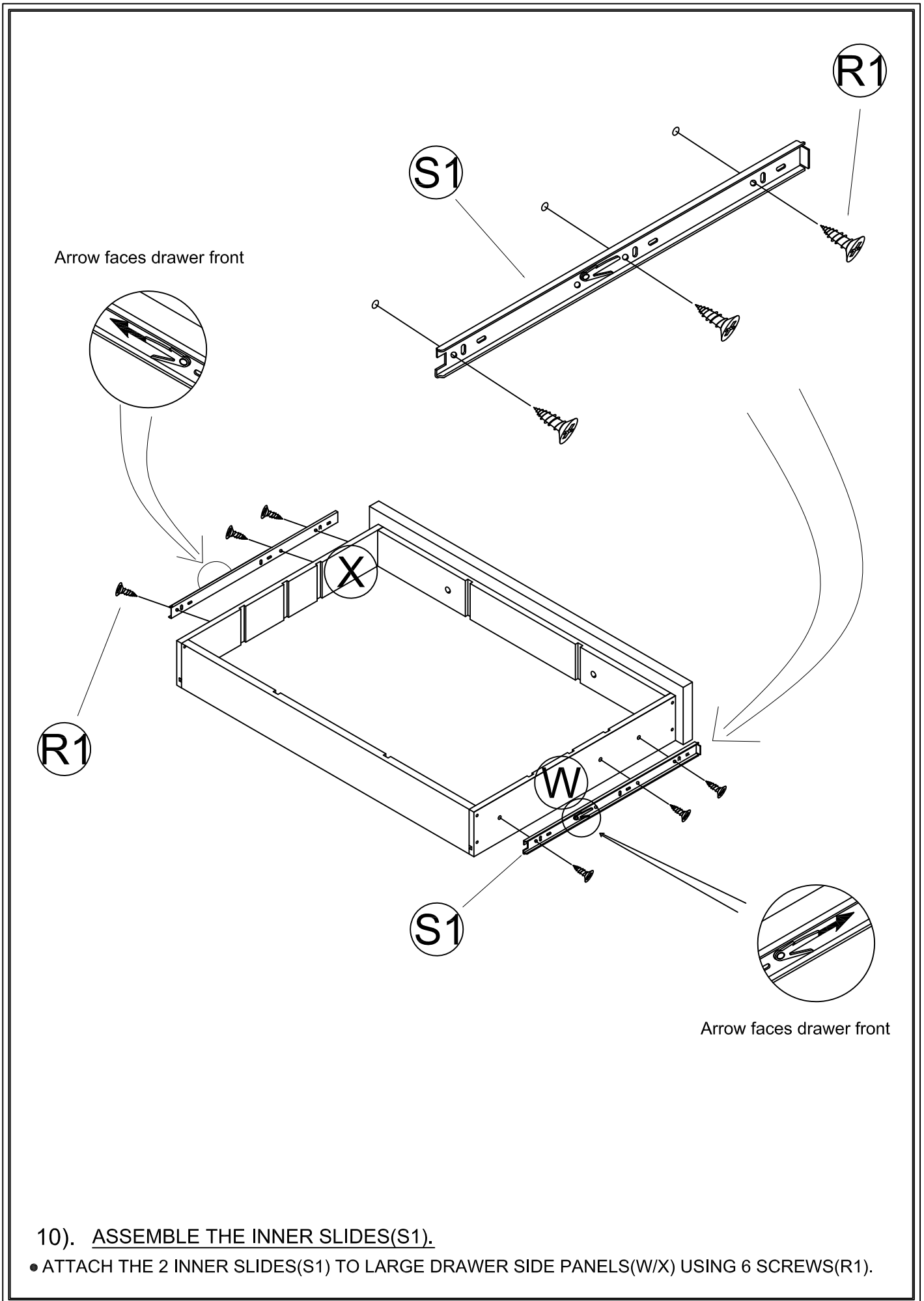
8). ASSEMBLE THE TOP PANEL(A).

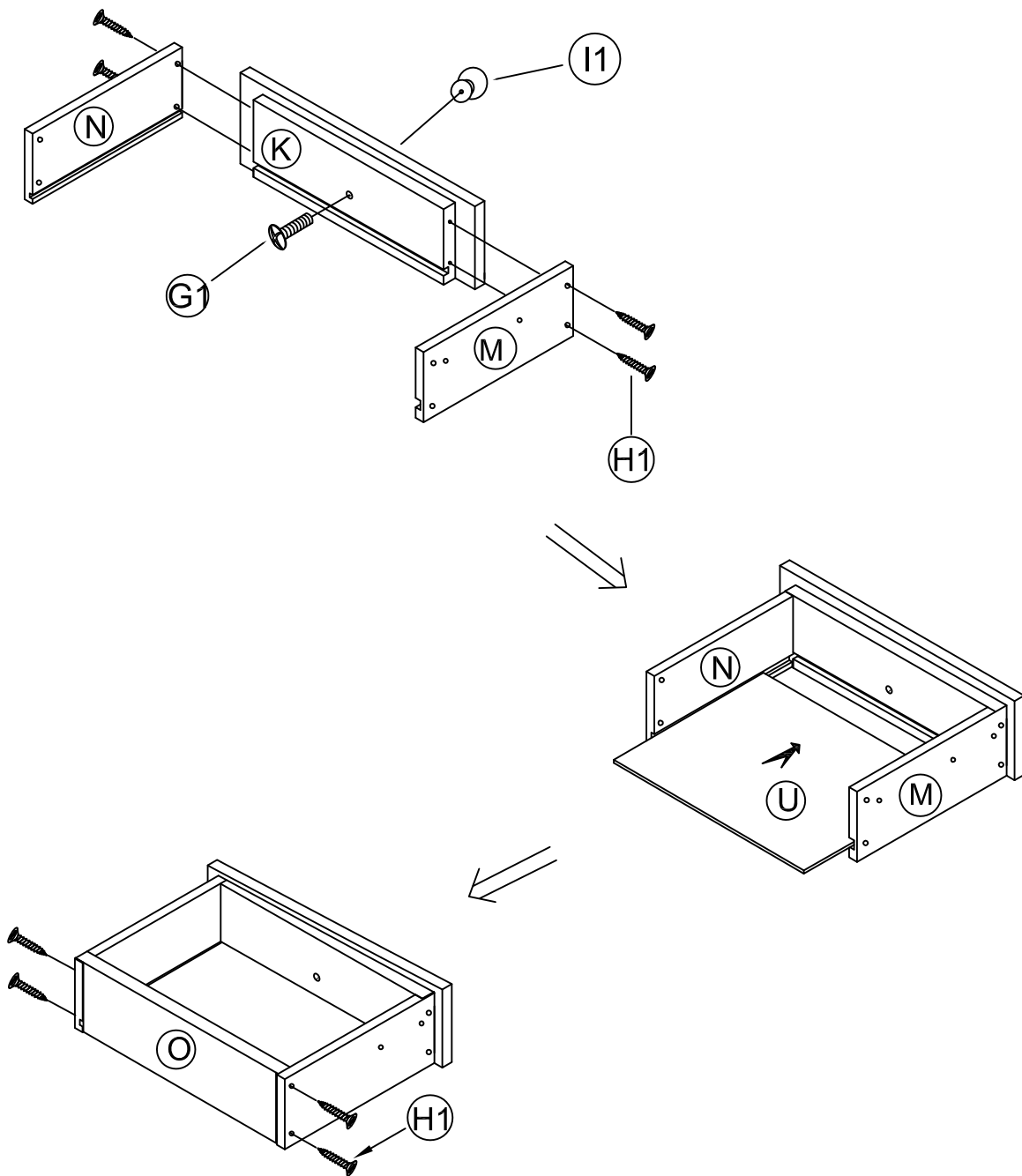
- ROTATE THE 10 CAM-BOLTS(E1) INTO THE HOLES IN THE TOP PANEL(A).
- PLACE THE CAM-BOLTS(E1) INTO THE HOLES IN THE PANELS(B/C/F) AND ATTACH USING 10 CAM-LOCKS(F1).
- FINALLY, ROTATE THE 3 SCREWS(Q1) INTO THE HOLES IN THE ADORNING PANEL(H).



9). ASSEMBLE THE LARGE DRAWER.

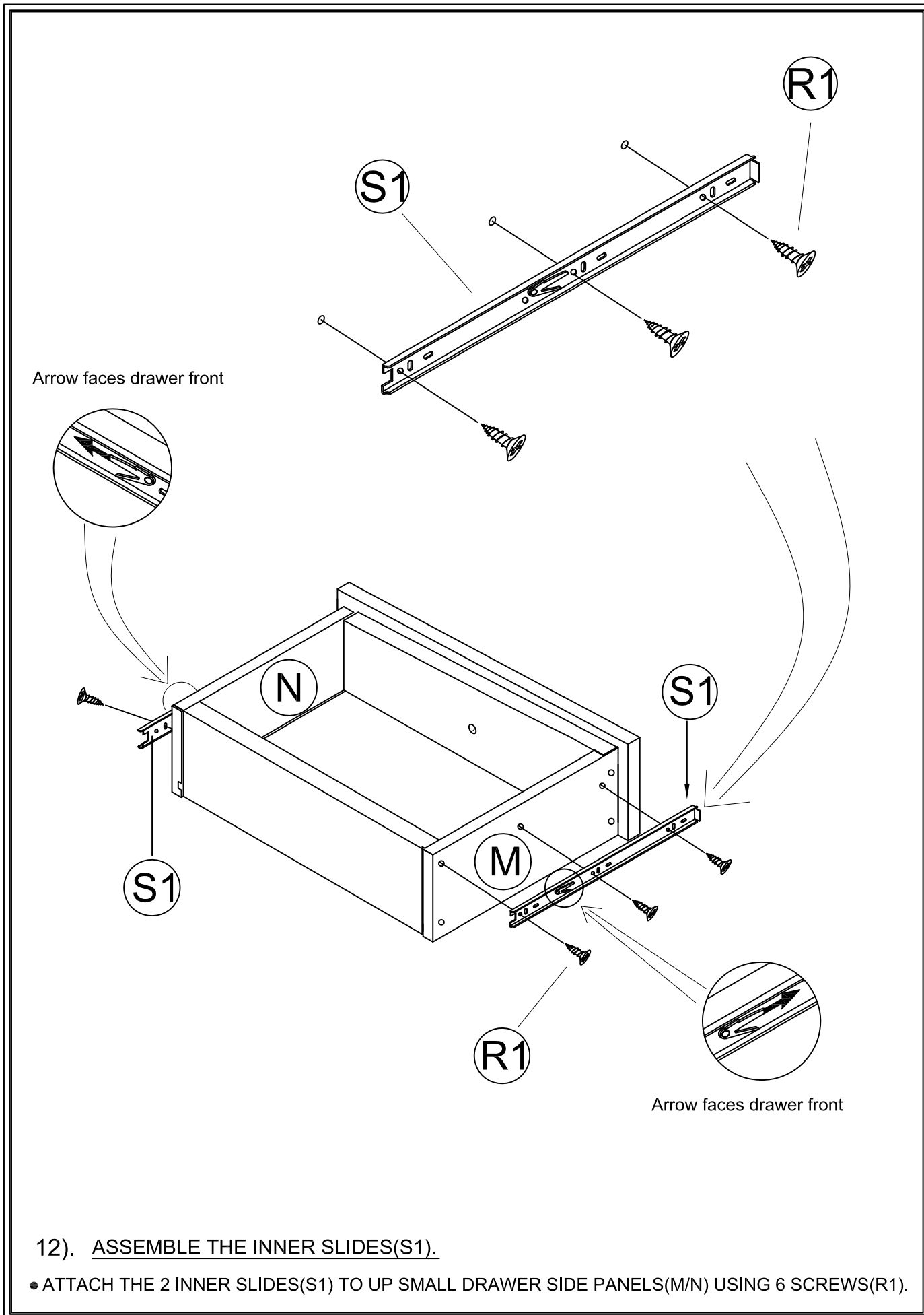
- ATTACH LARGE DRAWER SIDE PANELS(W/X) USING 4 SCREWS(H1).
- ATTACH THE 2 KNOBS(I1) TO LARGE DRAWER PANEL FRONT(V) USING 2 SCREWS(G1).
- INSERT THE DRAWER LARGE BOTTOM PANEL(Z) INTO THE SLOTS IN THE LARGE DRAWER SIDE PANELS(W/X).
- ATTACH LARGE DRAWER PANEL BACK(Y) BETWEEN LARGE SIDE DRAWER PANELS(W/X) USING 4 SCREWS(H1).
- ATTACH 2 DRAWER SUPPORT PANELS(A1) TO BOTTOM DRAWER(Z) USING 8 SCREWS(H1).

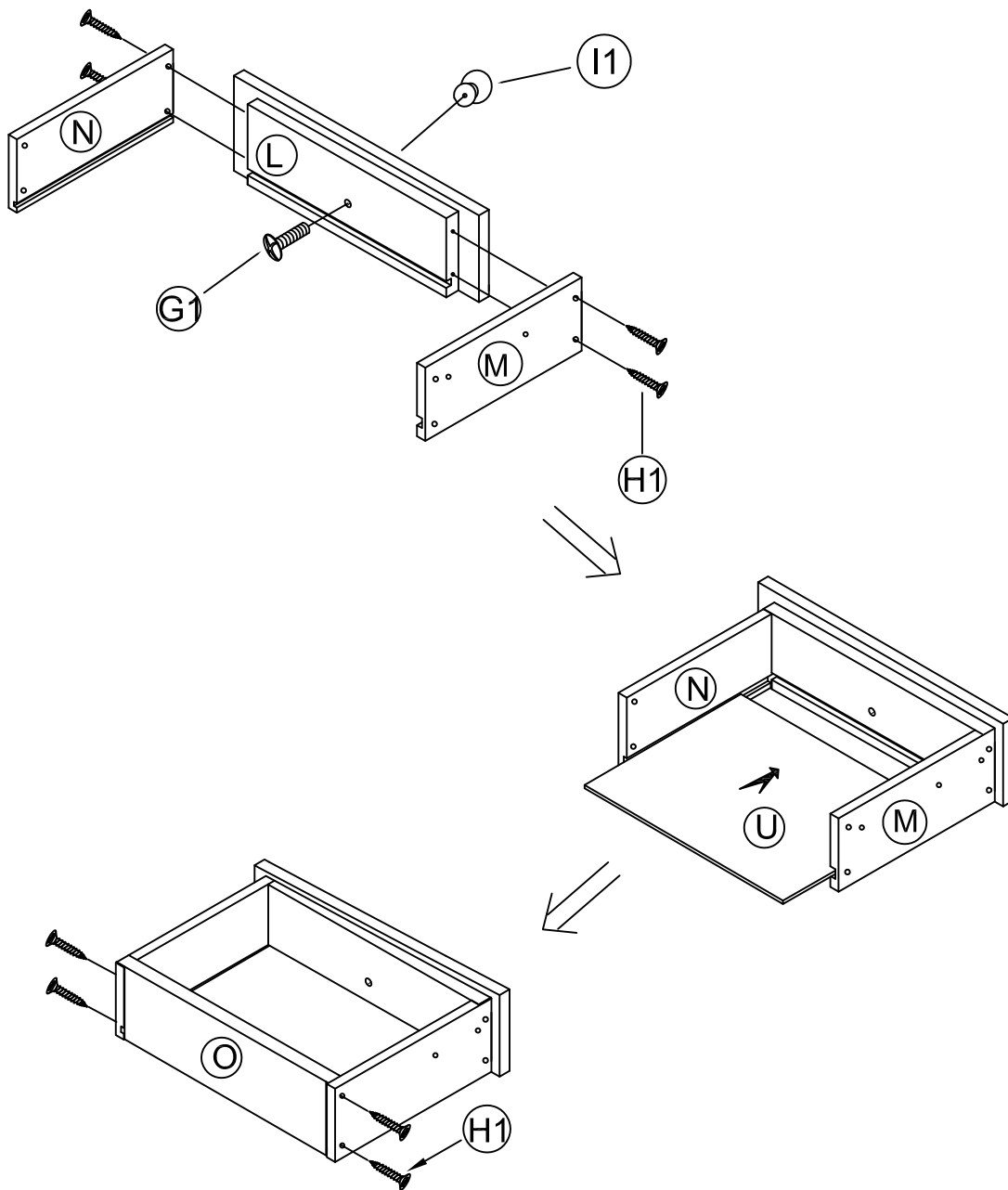




11). ASSEMBLE THE UP RIGHT SMALL DRAWER.

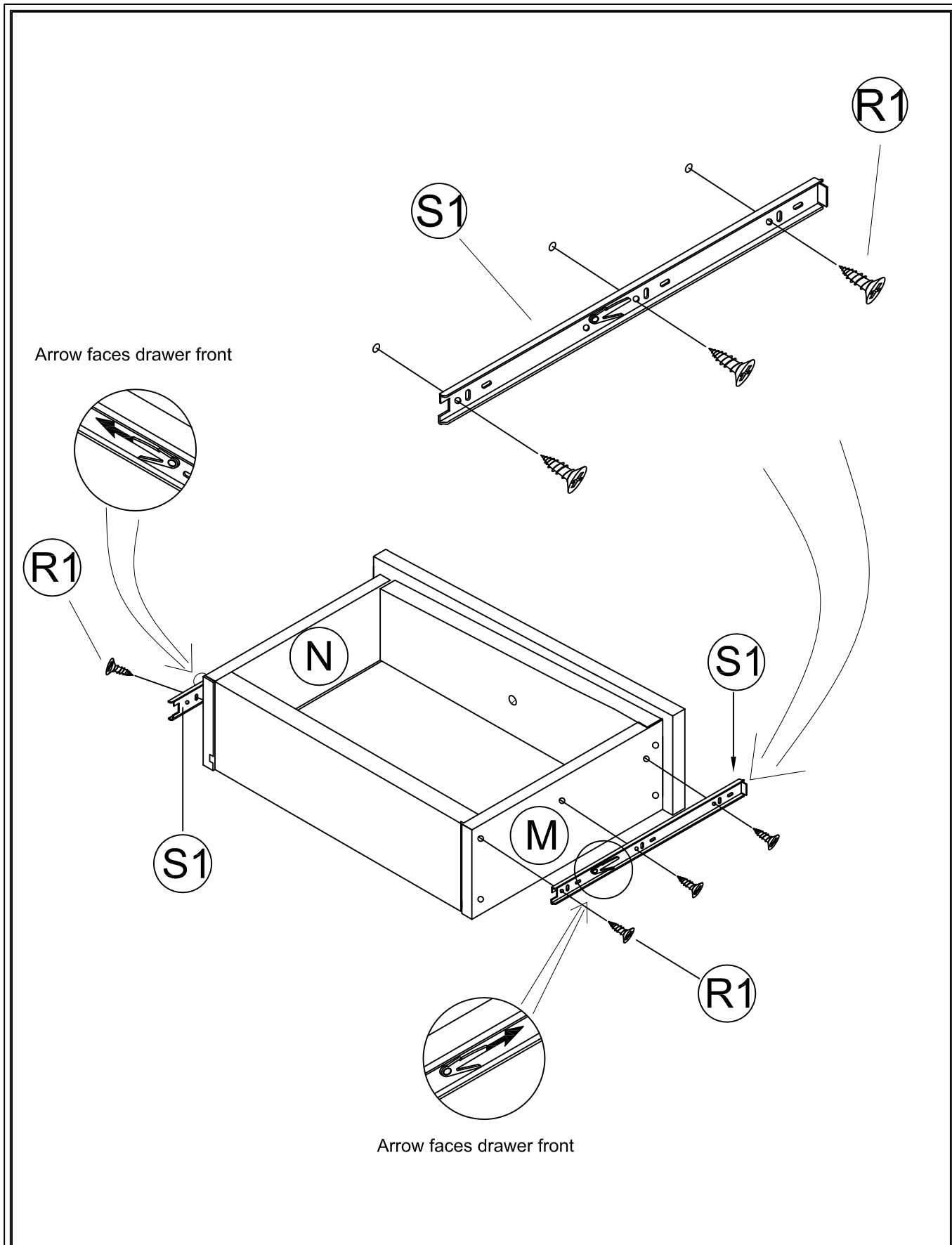
- ATTACH UP SMALL DRAWER SIDE PANELS(M/N) USING 4 SCREWS(H1).
- ATTACH THE KNOBS(I1) TO UP RIGHT SMALL DRAWER PANEL FRONT(K) USING SCREWS(G1).
- INSERT THE SMALL DRAWER BOTTOM PANEL(U) INTO THE SLOTS IN THE UP SMALL DRAWER SIDE PANELS(M/N).
- ATTACH UP SMALL DRAWER PANEL BACK(O) BETWEEN UP SMALL DRAWER SIDE PANEL(M/N) USING 4 SCREWS(H1).





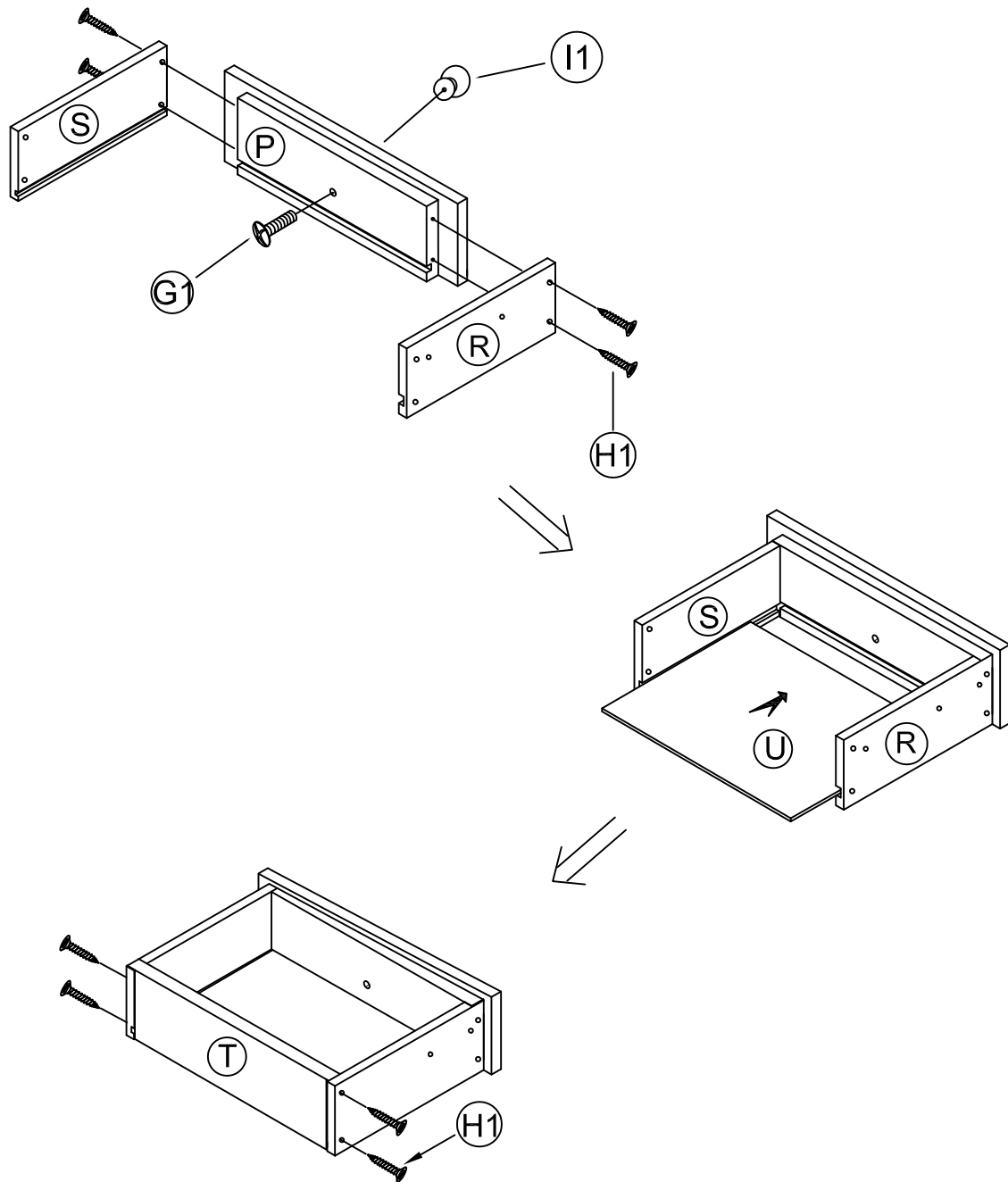
13). ASSEMBLE THE UP LEFT SMALL DRAWER.

- ATTACH UP SMALL DRAWER SIDE PANELS(M/N) USING 4 SCREWS(H1).
- ATTACH THE KNOBS(I1) TO UP LEFT SMALL DRAWER PANEL FRONT(L) USING SCREWS(G1).
- INSERT THE SMALL DRAWER BOTTOM PANEL(U) INTO THE SLOTS IN THE UP SMALL DRAWER SIDE PANELS(M/N).
- ATTACH UP SMALL DRAWER PANEL BACK(O) BETWEEN UP SMALL DRAWER SIDE PANEL(M/N) USING 4 SCREWS(H1).



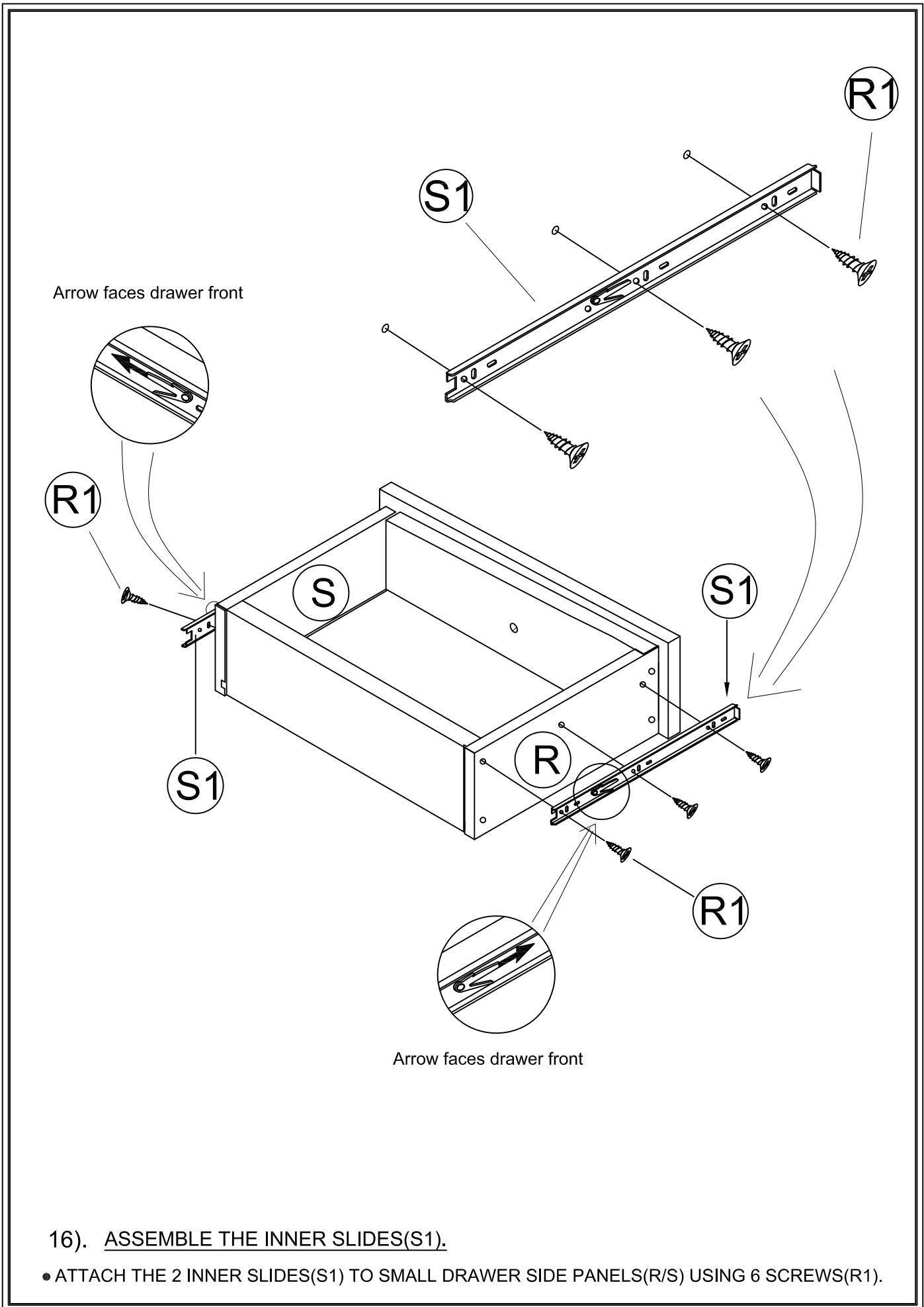
14). ASSEMBLE THE INNER SLIDES(S1).

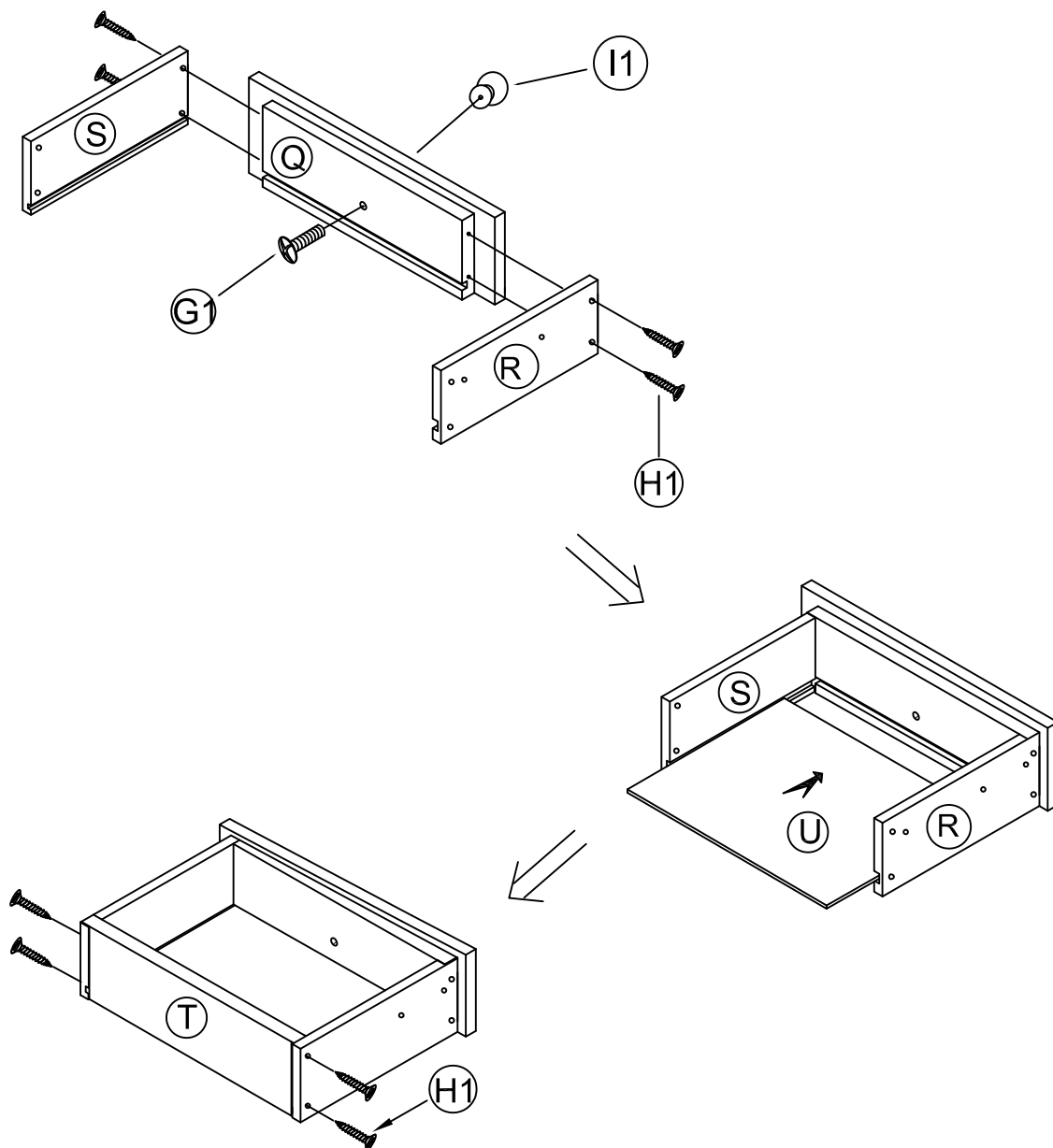
- ATTACH THE 2 INNER SLIDES(S1) TO UP SMALL DRAWER SIDE PANELS(M/N) USING 6 SCREWS(R1).



15). ASSEMBLE THE LEFT SMALL DRAWER.

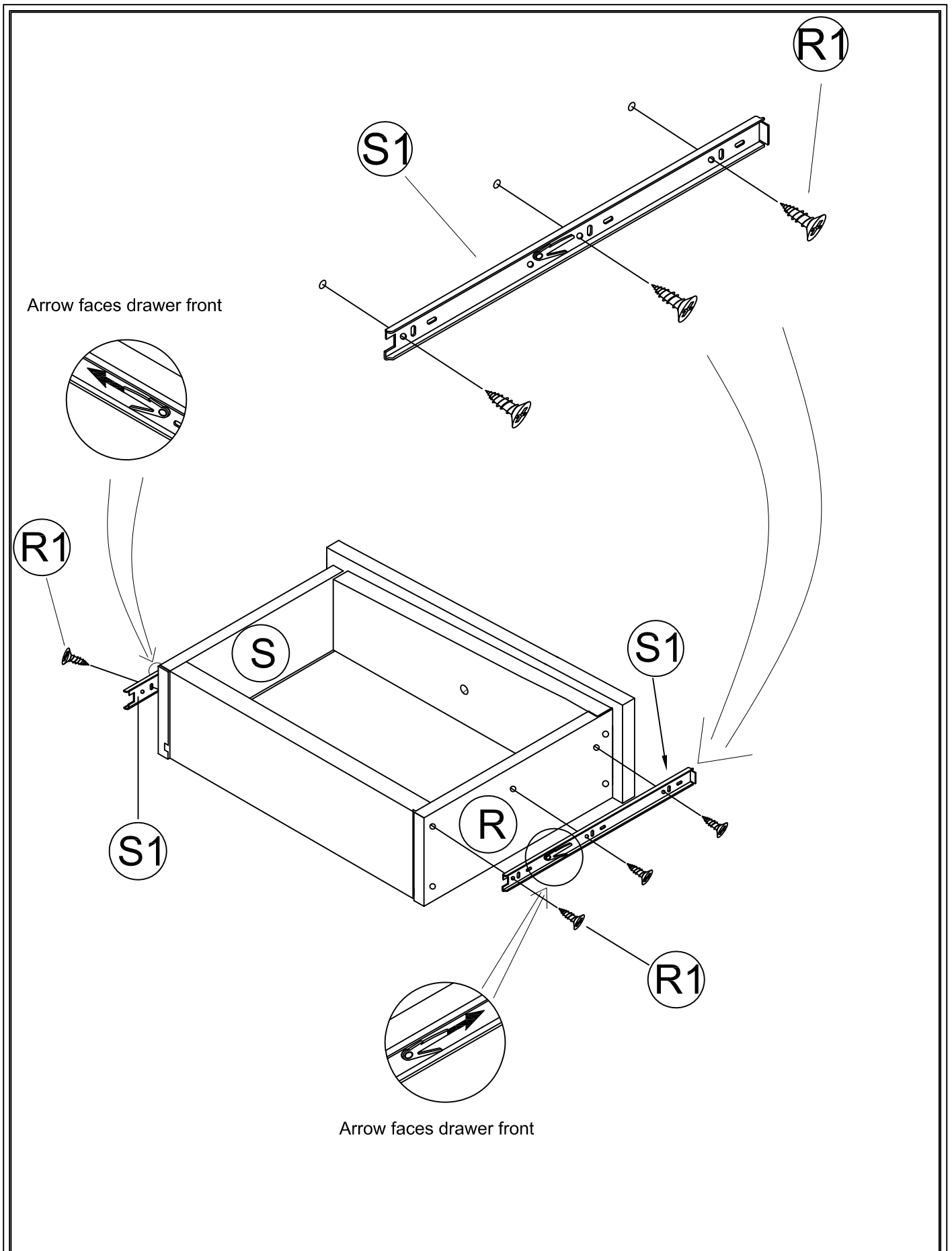
- ATTACH SMALL DRAWER SIDE PANELS(R/S) USING 4 SCREWS(H1).
- ATTACH THE KNOBS(I1) TO LEFT SMALL DRAWER PANEL FRONT(P) USING SCREWS(G1).
- INSERT THE SMALL DRAWER BOTTOM PANEL(U) INTO THE SLOTS IN THE SMALL DRAWER SIDE PANELS(R/S).
- ATTACH SMALL DRAWER PANEL BACK(T) BETWEEN SMALL DRAWER SIDE PANELS(R/S) USING 4 SCREWS(H1).





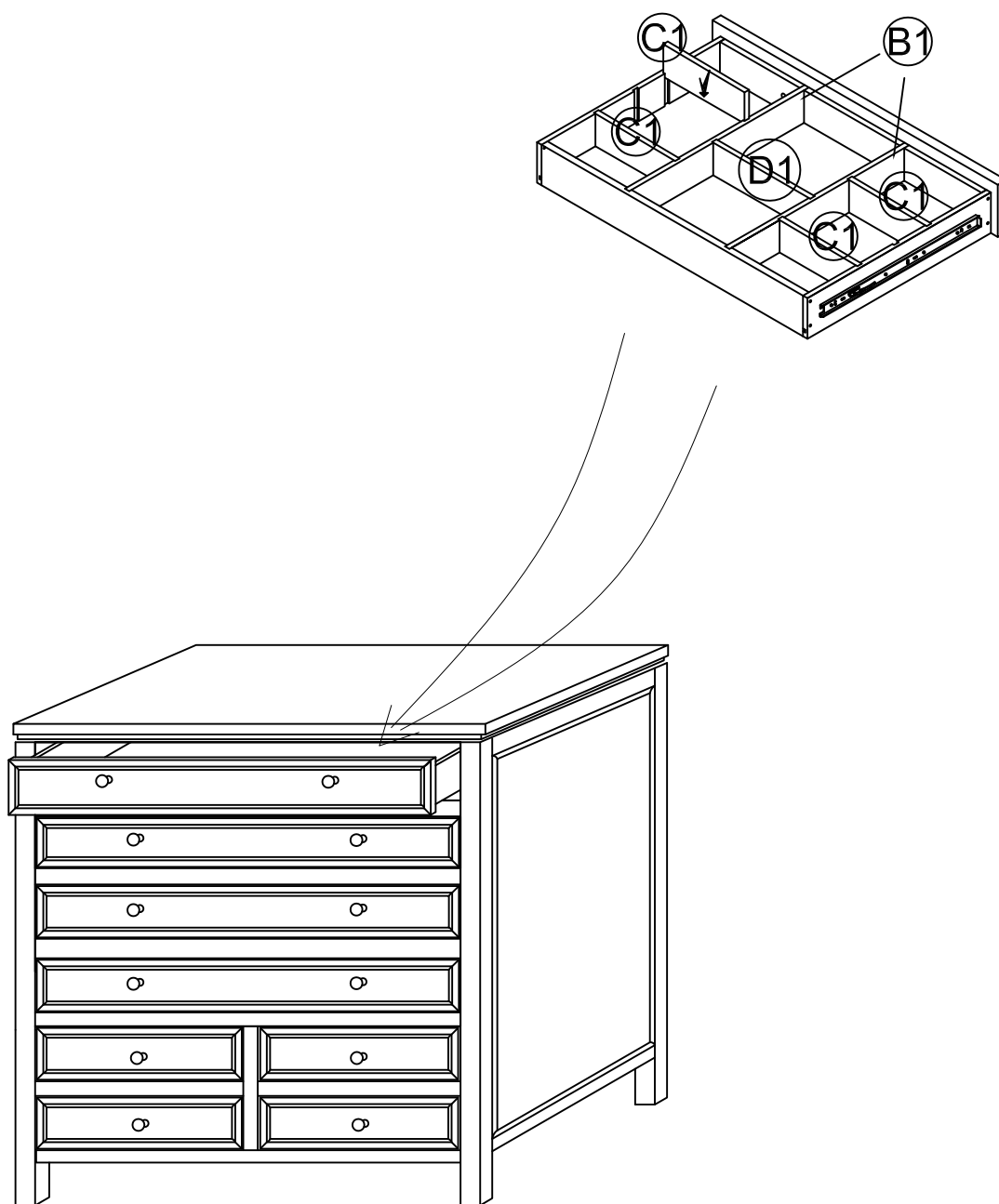
17). ASSEMBLE THE RIGHT SMALL DRAWER.

- ATTACH SMALL DRAWER SIDE PANELS(R/S) USING 4 SCREWS(H1).
- ATTACH THE KNOBS(I1) TO RIGHT SMALL DRAWER PANEL FRONT(Q) USING SCREWS(G1).
- INSERT THE SMALL DRAWER BOTTOM PANEL(U) INTO THE SLOTS IN THE SMALL DRAWER SIDE PANELS(R/S).
- ATTACH SMALL DRAWER PANEL BACK(T) BETWEEN SMALL DRAWER SIDE PANEL(R/S) USING 4 SCREWS(H1).



18). ASSEMBLE THE INNER SLIDES(S1).

- ATTACH THE 2 INNER SLIDES(S1) TO SMALL DRAWER SIDE PANELS(R/S) USING 6 SCREWS(R1).



19). ASSEMBLE THE DRAWER.

- INSERT ALL THE DRAWERS INTO THE SLIDERS.
- INSERT THE PANEL(B1/C1/D1) IN THE FIRST AND SECONDLY LARGE DRAWER.