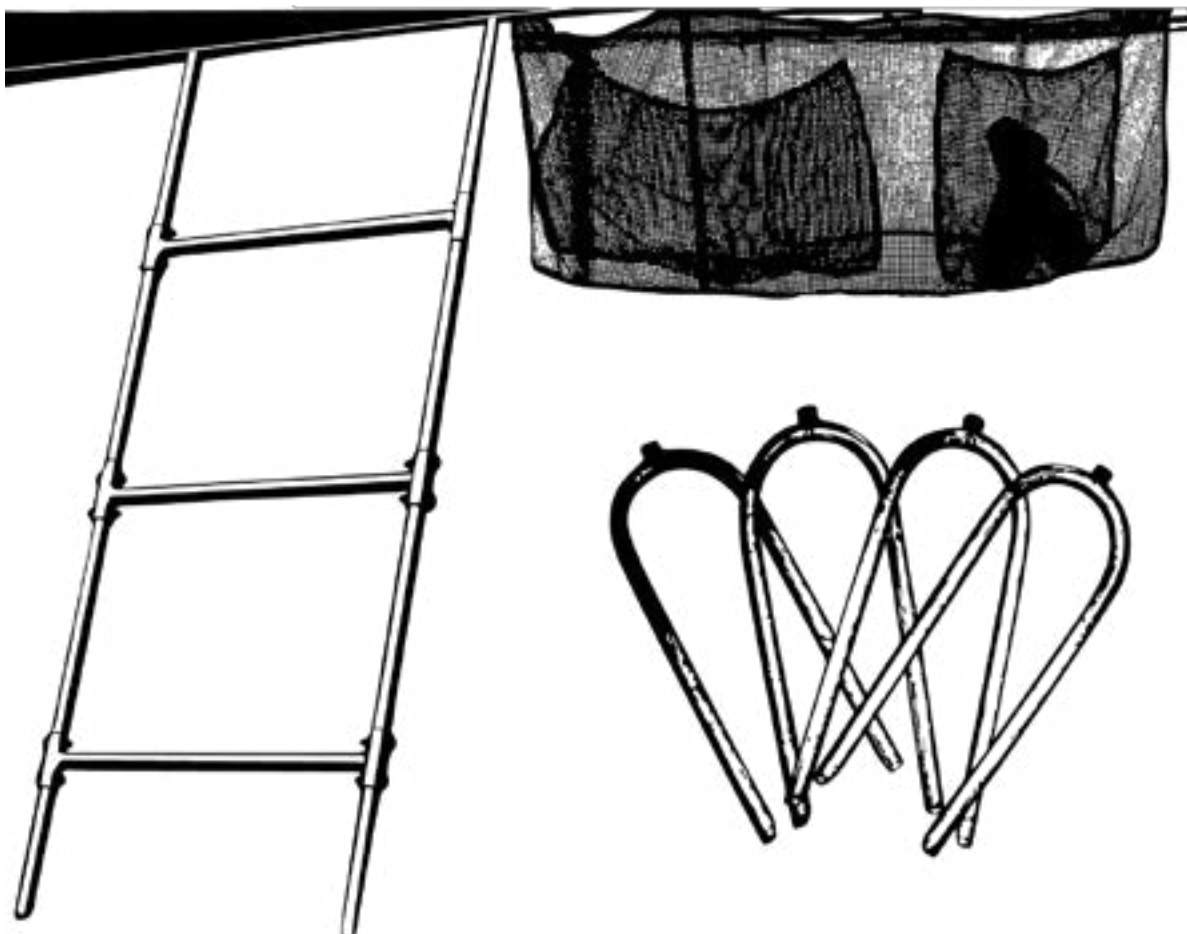


LADDER COMBO KIT TRAMPOLINE ACCESSORY

User Manual

Skywalker Trampolines Model # SAK100.1



WARNING

Read all precautions and instructions in this manual before using this equipment. Save this manual for future reference. User weight limit 200 lbs.



WARNING

Ladders allow young children to climb onto the trampoline. Trampolines are not for children under 6 years of age. Do not use ladder if children under 6 are nearby. Remove ladder when trampoline is not in use, to prevent unauthorized use.

SKYWALKER

TRAMPOLINES®

Skwalker Holdings LLC

PO Box 574, Brigham City, UT 84302

Model: SAK100.1

CONTENTS

Before you Begin3
Part Identification / List.....4
Assembly.....4-6
Limited Warranty7

REPLACEMENT PARTS or QUESTIONS

If you have questions after reading this manual, please call our toll-free Customer Care Hotline. Our trained technicians will provide immediate assistance. You can also visit us at www.skywalkertrampolines.com.

Customer Care Hotline: 1-866-603-5867
Monday - Friday, 8:00 a.m. - 5 p.m. Mountain Time

BEFORE YOU BEGIN

Thank you for selecting the Ladder Combo Kit. These accessories, when combined with a properly placed and maintained trampoline and enclosure, will provide many years of backyard fun. This information must be read by all supervisors and users before any person is allowed to use the game accessories.

If you have any questions after reading this manual, please call our toll-free Customer Care Hotline at 1-866-603-JUMP(5867) , Monday through Friday, 8 a.m. until 5 p.m. Mountain Time (excluding holidays). To help us assist you, please mention the model number of the product when calling.

www.skywalkertrampolines.com

CARE AND MAINTENANCE

If your ladder becomes dirty, spray with water to clean. Do not allow use of the ladder until it has dried completely. Check all hardware before each use. Tighten any bolts or nuts that have become loose before allowing use of the trampoline ladder. If you notice any broken parts, put your trampoline ladder away until it can be fixed.

When you are not using your trampoline ladder, please put it away to prevent unauthorized use of your trampoline. For your safety, windstakes should remain on the trampoline at all times.

This trampoline ladder has a user weight limit of 200 lbs.

WARNING

High Wind: The trampoline can be blown around by high winds. If you expect high winds, the trampoline should be moved to a sheltered location, taken apart, or tied down to the ground with ropes and stakes. At least four ropes and four stakes should be used. The top of the stakes should be at ground level so they will not create a tripping hazard. In addition, the top of the stakes should be covered, if necessary, so that users will not be injured by falling on the stakes. Even with the use of wind stakes, trampolines can become damaged. There is no warranty coverage or guarantee. The only sure method to protect your trampoline and the surrounding environment during high winds is to completely disassemble the unit and store indoors. The manufacturer's warranty does not cover any type of wind or weather damage.

Do not stand near the trampoline in windy or gusty conditions. A trampoline can become airborne when exposed to sustained wind or gusting wind conditions. This can result in serious injury, paralysis, or death, as well as property damage. To reduce these risks, disassemble the trampoline and enclosure and store them until weather conditions improve. Anchoring a trampoline frame may prevent the trampoline from moving as a result of the wind, but even anchored trampolines can become airborne or damaged. Consult a qualified contractor to determine what type of anchor works best in your location.

WARNING

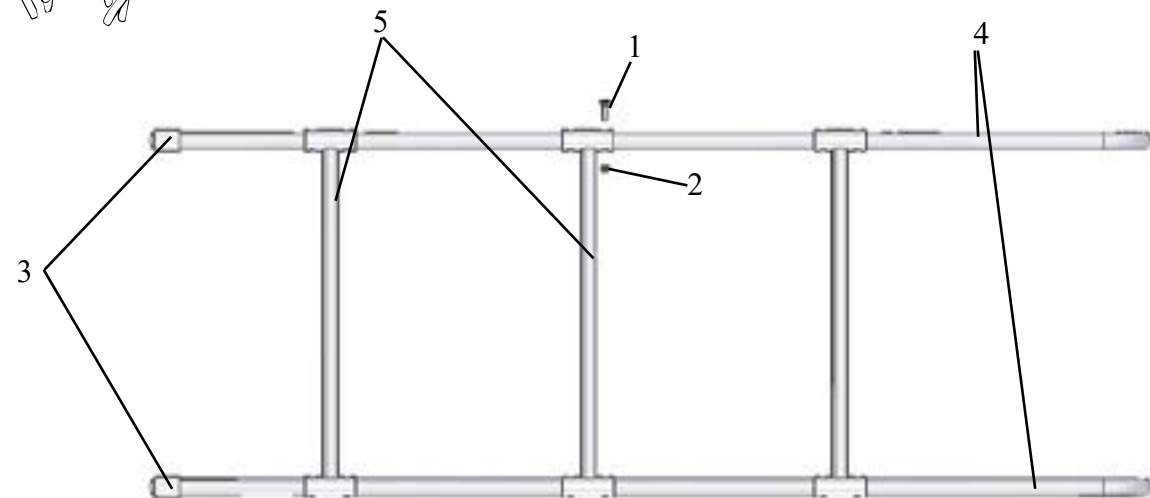
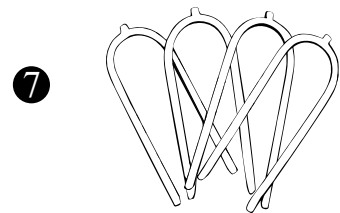
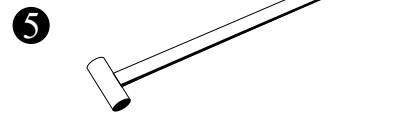
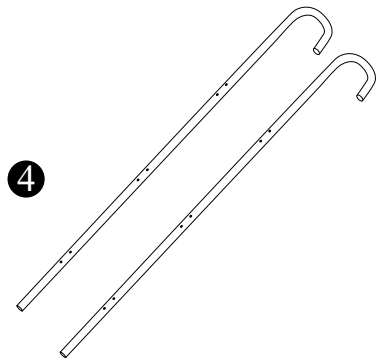
Read the assembly, installation, care, maintenance, and use instructions in this manual prior to assembling and using this equipment. Save this manual for future reference.

ASSEMBLY

PART IDENTIFICATION

Before beginning assembly, refer to the drawings below to identify all the parts used. The numbers in the circles to the left of each part will be used to help differentiate the parts in the instructions.

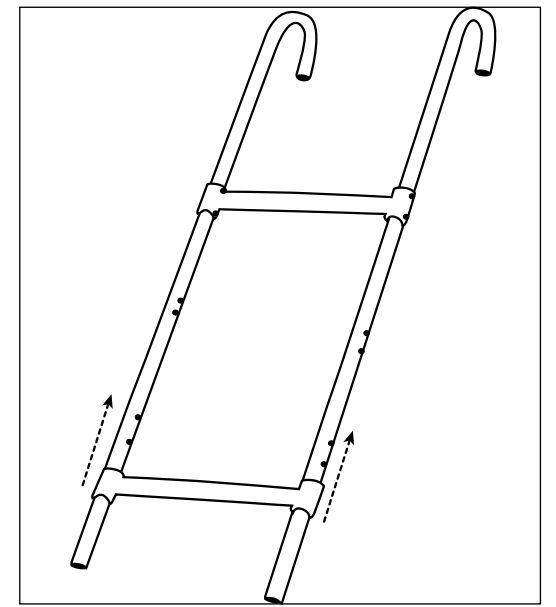
Key No.	Qty.	Description
1	12	M6x31 bolt
2	12	M6 cap locknut
3	2	End cap
4	2	Frame leg
5	3	Cross bar
6	1	Shoe bag
7	4	Wind stakes



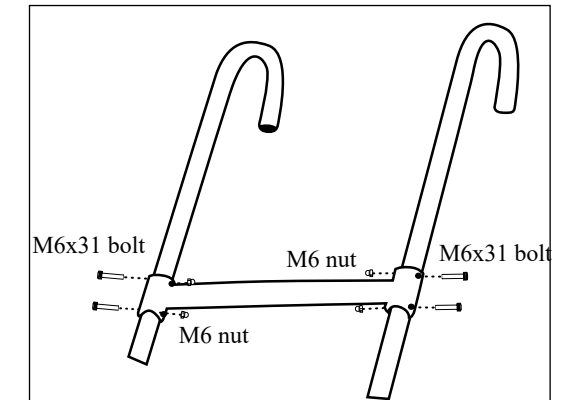
ASSEMBLY

Tools required: adjustable wrench
Use caution not to pinch your fingers.

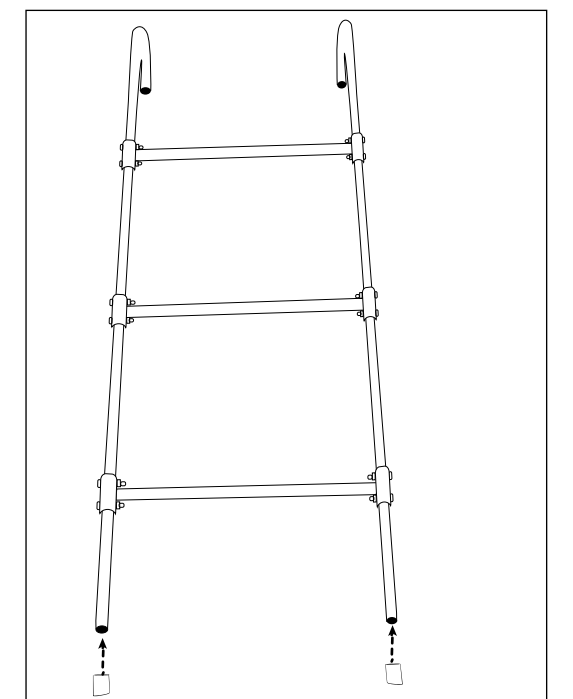
1. Lay the two curved frame legs (4) on a clear area.
2. Place a leg into each hole of a cross bar (5). Slide the cross bar up the legs until the cross bar bolt holes line up with the top leg bolt holes. Place the second and third cross bars in the same way, making sure all of the bolt holes line up.



3. Secure each cross bar to the legs with the M6x31 (1) bolts and M6 cap locknuts (2).



4. Place ladder so the handles are facing down and slide the end caps (3) onto the bottom of each leg. (Make sure the slanted side of the end cap is facing down.)

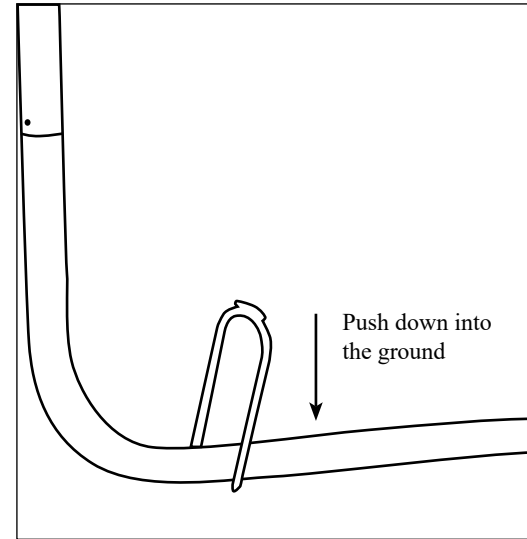


5. Assure that all bolts and end caps are tight and secure. To place the ladder on the trampoline, simply lift the spring pad and hook the top of the ladder to the trampoline frame.

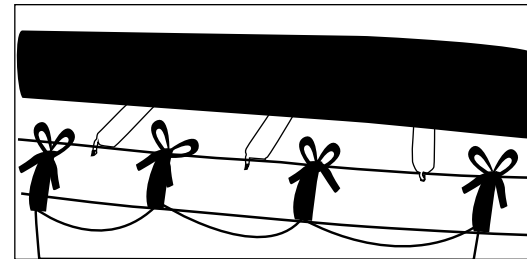
ASSEMBLY

6. To place the wind stakes (7), set them over the top of the trampoline legs where it sits on the ground. The wind stakes should straddle the trampoline legs with the points facing down. Push or pound the wind stakes firmly into the ground. Take care that they do not create a tripping hazard.

All four wind stakes should be used for best results.



7. To place the shoe bag (6), lift the spring pad at the location you want the shoe bag to hang and simply tie it to the trampoline frame with the attached straps. Use bows instead of knots, or removal could be difficult.



The assembly of your trampoline accessory kit is now complete. Enjoy!

LIMITED WARRANTY

Skywalker Holdings, LLC warrants its products to be free from defects in material and workmanship under normal use and service conditions. The steel frame is warranted for one (1) year after the date of purchase. All other parts are warranted for ninety (90) days after the date of purchase. Wind or weather damage is not warranted.

All warranty coverage extends only to the original retail purchaser from the date of purchase. Skywalker Holdings, LLC obligation under this Warranty is limited to replacing or repairing, at Skywalker Holdings, LLC option, the product at one of this authorized service centers. All products for which a warranty claim is made must be received by Skywalker Holdings, LLC at one of its authorized locations. Preauthorization may be obtained by calling Skywalker Holding, LLC Customer Care Hot Line at 1-866-603-Jump(5867). This Warranty does not extend to any product or damage to a product caused by or attributable to freight damage, abuse, misuse, improper or abnormal usage, or repair not provided by a Skywalker Holdings, LLC authorized service center, or to products used for commercial or rental purpose. No other Warranty beyond that specifically set forth above is authorized by Skywalker Holdings, LLC.

SKYWALKER HOLDINGS, LLC IS NOT RESPONSIBLE OR LIABLE FOR INDIRECT, SPECIAL OR CONSEQUENTIAL DAMAGES ARISING OUT OF OR IN CONNECTION WITH THE USE OR PERFORMANCE OF THE PRODUCT OR OTHER DAMAGES WITH RESPECT TO ANY ECONOMIC LOSS, LOSS OF PROPERTY, LOSS OF REVENUE OR PROFITS, LOSS OF ENJOYMENT OR USE, COST OF REMOVAL, INSTALLATION OR OTHER CONSEQUENTIAL DAMAGES. SOME STATES DO NOT ALLOW THE EXCLUSION OR LIMITATION OF INCIDENTAL OR CONSEQUENTIAL DAMAGES. ACCORDINGLY, THE ABOVE LIMITATION MAY NOT APPLY TO YOU.

THE WARRANTY EXTENDED HEREUNDER IS IN LIEU OF ALL OTHER WARRANTIES AND ANY IMPLIED WARRANTY OF MERCHANTABILITY OR FITNESS FOR A PARTICULAR PURPOSE IS LIMITED IN ITS SCOPE AND DURATION TO THE TERMS SET FORTH HEREIN. SOME STATES DO NOT ALLOW LIMITATIONS ON HOW LONG AN IMPLIED WARRANTY LASTS. ACCORDINGLY, THE ABOVE LIMITATION MAY NOT APPLY TO YOU. This Warranty gives you specific LEGAL RIGHTS. You may also have other rights which vary state to state.

THIS WARRANTY IS VALID ONLY IN THE UNITED STATES.

Skywalker Holdings, LLC, PO Box 574, Brigham City, UT 84302 USA.

Printed in China © 2016 Skywalker Holdings, LLC.