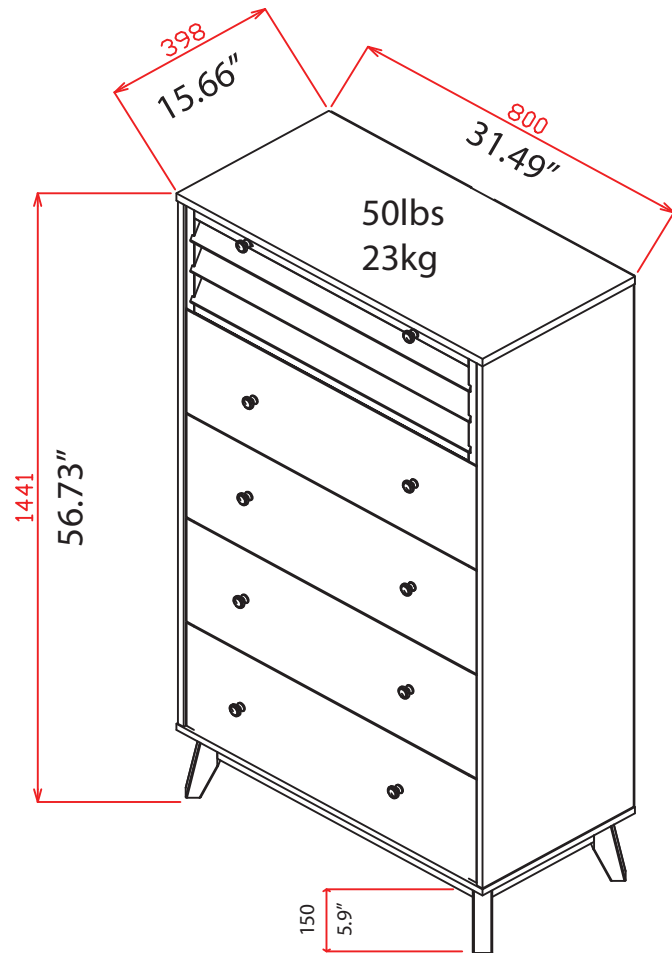


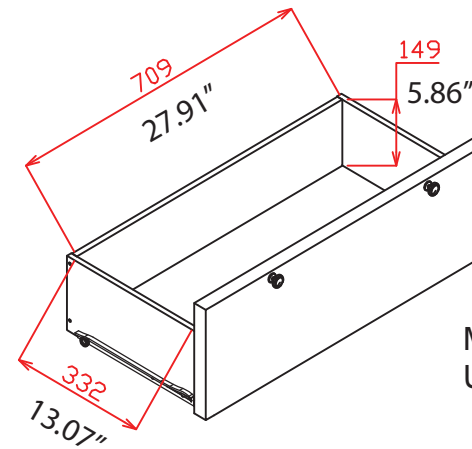
5994096COM / 5994196COM - 5 DRAWER DRESSER

FINISH : ENGLISH WALNUT / STONE OAK



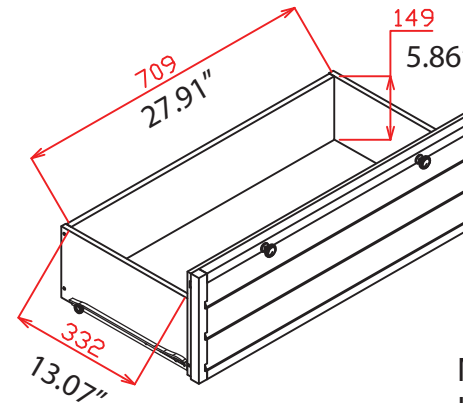
TOTAL STORAGE : 6.195 CUBIC FEET

Overall Product Size :
31.4900in (W) x 15.6600in (D) x 56.7300in (H)
80.00cm (W) x 39.8cm (D) x 144.1cm (H)



1.239 CUBIC FEET
EACH DRAWER

Maximum Weight Capacities
Unit Weight : 36 lbs (16 KGS)



1.239 CUBIC FEET
EACH DRAWER

Maximum Weight Capacities
Unit Weight : 36 lbs (16 KGS)