

60" x 32" PASSAGE™ SHOWER BASE

- A8011T-LHO PASSAGE SHOWER BASE**
Left Hand Drain
- A8011T-RHO PASSAGE SHOWER BASE**
Right Hand Drain

Features:

- Durable acrylic with fiberglass reinforced construction
- Low 2-1/4" threshold height
- Unique and pleasing geometric shape
- Deck platform creates distinct showering and storage spaces
- Integral three-sided, tiling/water retention flange
- End drain outlet
- Textured floor helps prevent slips and falls
- Shower drain not included
- Limited Lifetime warranty

Nominal Dimensions:

60" x 32" x 2-1/4"
(1524 x 813 x 57mm)

Compliance Certifications -

Meets or Exceeds the Following Specifications:

- CSA B45.5 / IAPMO Z124



A8011T-LHO SHOWER BASE
Left Hand Drain



A8011T-RHO SHOWER BASE
Right Hand Drain

SEE NEXT PAGE FOR ROUGHING-IN DIMENSIONS
AND PRODUCT SPECIFICATIONS

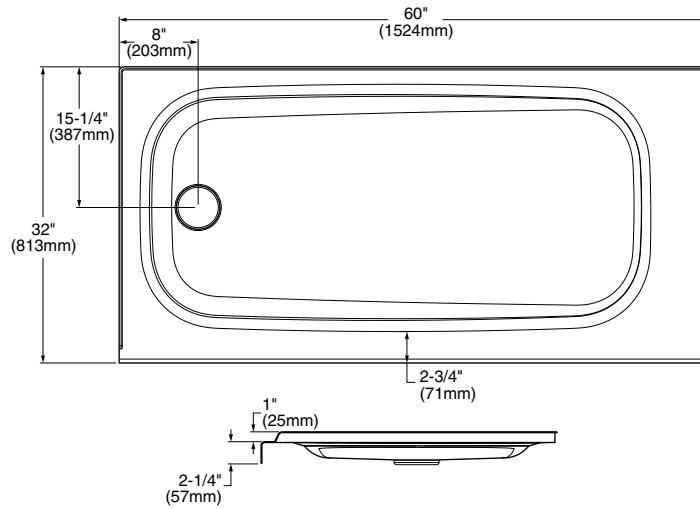
To Be Specified - Required:

- Drain: 751819-XXX (specify finish)
- Color: .020 White

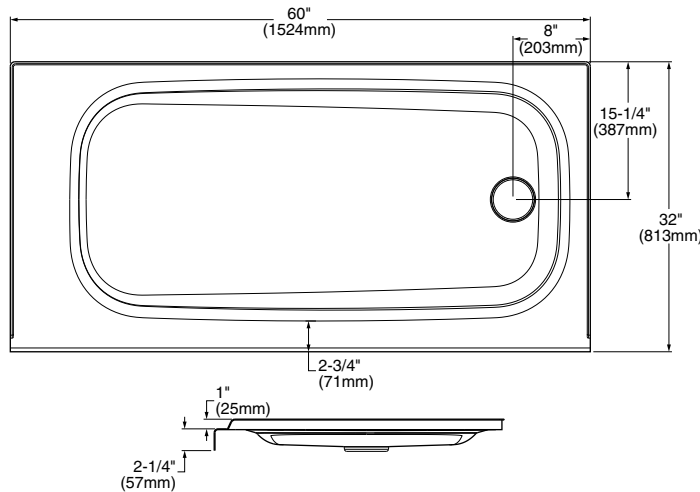
To Be Specified - Optional:

- Shower Walls: P2971SWT.XXX
- Shower Door: AM801703400.213 Frameless shower door with Easy-to-Clean clear glass

A8011T-LHO



A8011T-RHO



GENERAL SPECIFICATIONS FOR A8011T BASE

INSTALLED SIZE	60 x 32 x 2-1/4 In. (1524 x 813 x 57mm)
WEIGHT	47.5 Lbs. (21.5 Kg)
SHOWER WELL AT SUMP	46-13/16 x 21-1/4 In. (1190 x 539mm)
SHOWER WELL AT RIM	51-3/4 x 27-1/8 In. (1314 x 691mm)
PTS.	1.92
CUBE (FT ³)	5.27

NOTES:

REFER TO INSTALLATION INSTRUCTIONS SUPPLIED WITH PRODUCT FOR ADDITIONAL INFORMATION.

FITTINGS NOT INCLUDED AND MUST BE ORDERED SEPARATELY.

PROVIDE SUITABLE REINFORCEMENT FOR ALL SUPPORTS.

IMPORTANT: Dimensions of fixtures are nominal and may vary within the range of tolerances established by ANSI Standard Z124. These measurements are subject to change or cancellation. No responsibility is assumed for use of superseded or voided leaflet.

PASSAGE™ 60" x 72" FRAMELESS SHOWER DOOR

☐ **AM801703400.213 FRAMELESS SHOWER DOOR**

Product Features:

- Frameless shower with barn door-type sliding operation
- Coordinates with Passage 60" Custom Shower Walls and Passage 60" shower base
- Clear, 3/8" thick tempered glass for safety
- Easy-to-clean glass helps prevent streaking by sheeting the water to carry away dirt
- Reversible door opening installs with sliding door on left or right
- Aluminum components and stainless steel screws prevent rusting or corrosion
- 24" door opening width
- Out-of-plumb adjustability
- 15" chrome handle for ease of use



Door Panel Dimensions:

29-1/2" x 72"
(749 x 1829mm)

Fixed Panel Dimensions:

27-3/4" x 72"
(705 x 1829mm)

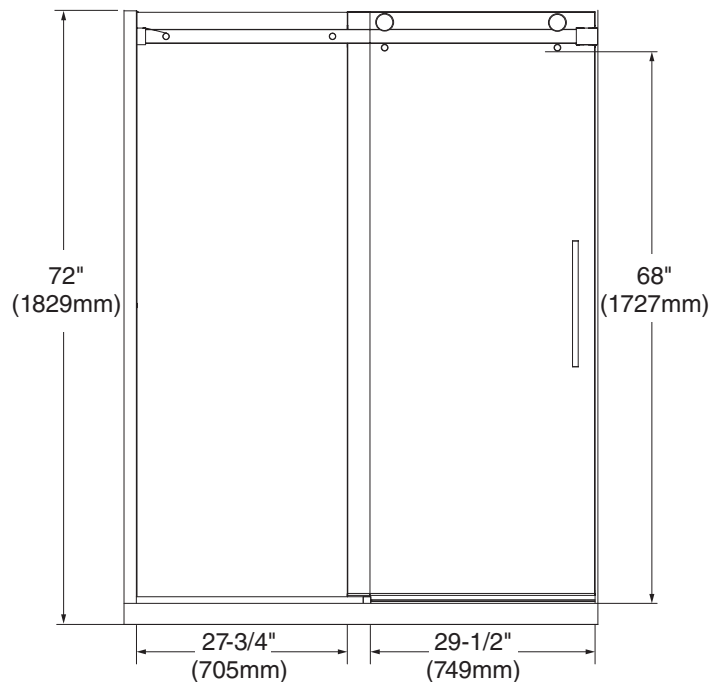
For use with:

- A8011T-RHO or A8011T-LHO Passage alcove shower base
- P2971SWT Passage Custom Shower Walls

Compliance Certifications -

Meets or Exceeds the Following Specifications:

- ANSI Z97.1



60" x 32" Passage™ Custom Shower Walls
Subway Tile Design

P2969SWT

Take your bathroom from basic to beautiful with the Passage Custom Bathing System. These stylish subway tile designs come in 2 finishes and provide the perfect alternative to actual tile and grout.

Product Features:

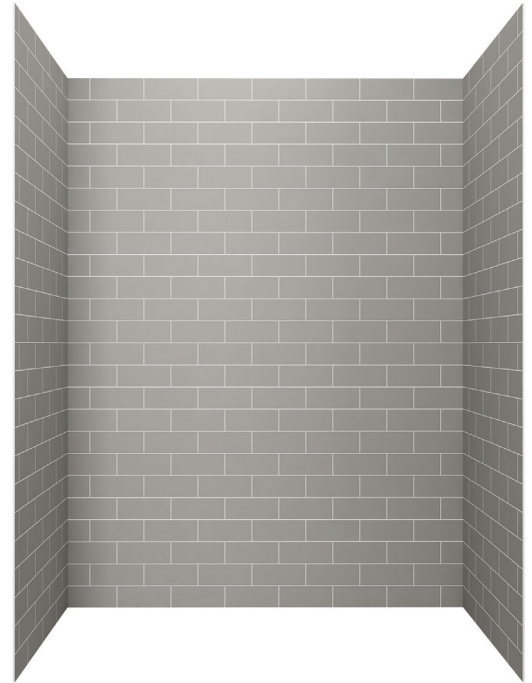
- High-quality, multi-layer acrylic adheres to water-resistant wall board or over existing wall
- Bull-nosed edges provide a finished look
- Custom etched grout lines for a realistic tile look
- Beautiful and stylish alternative to tile and grout
- Customize with coordinating Passage shower base, frameless shower door, shower shelves
- Easily wipes clean using mild soap and a damp cloth

Nominal Dimensions (Installed):

60" x 32" x 72"
(1524 x 813 x 1829mm)

Wall Set Includes:

- Two back wall panels (Top and Bottom):
59" w x 72" h (1499 x 1829mm)
- Two side wall panels (Left and Right):
31-7/16" w x 72" h (787 x 1829mm)



To Be Specified - Required:

Color pattern choice

- .376 Grey Subway Tile
- .375 White Subway Tile

To Be Specified - Optional:

- A8011T-RHO: 60" x 32" x 2-1/4" (1524 x 813 x 57mm)
Acrylic Shower Base Right Outlet
- A8011T-LHO: 60" x 32" x 2-1/4" (1524 x 813 x 57mm)
Acrylic Shower Base Left Outlet
- AM801703400.213: 60" x 72" (1524 x 1829mm)
Frameless Shower Door with Easy-to-Clean™ Clear Glass
- 1202-008.XXX: Corner Shower Shelf-Brushed Metal
9" x 9" x 3-1/2" (229 x 229 x 89 mm)
- 1202-012.XXX: Shower Shelf-Brushed Metal
12" x 5" x 3" (305 x 127 x 76 mm)

SEE NEXT PAGE FOR ROUGHING-IN DIMENSIONS
AND PRODUCT SPECIFICATIONS

