

THANK YOU for purchasing this high-quality product. Register your built-in oven at [www.kitchenaid.com](http://www.kitchenaid.com). In Canada, register your built-in oven at [www.kitchenaid.ca](http://www.kitchenaid.ca).

For future reference, please make a note of your product model and serial numbers. They can be found on the label located on the bottom edge of the control panel, right hand side.

Model Number \_\_\_\_\_ Serial Number \_\_\_\_\_

Para una versión de estas instrucciones en español, visite [www.kitchenaid.com](http://www.kitchenaid.com).

Deberá tener a mano el número de modelo y de serie, que están ubicados en el marco del horno, detrás del lado derecho superior de la puerta del horno.

## TABLE OF CONTENTS

<b>BUILT-IN OVEN SAFETY</b> .....	<b>2</b>	Oven Vent(s).....	11
<b>PARTS AND FEATURES</b> .....	<b>3</b>	Preheating and Oven Temperature .....	11
<b>FEATURE GUIDE</b> .....	<b>4</b>	Baking and Roasting .....	12
Electronic Oven Controls .....	6	Broiling .....	12
Display .....	6	Convection.....	12
Start .....	6	Convection Bake .....	12
Lower Cancel, Upper Cancel and Cancel .....	6	Convection Roast.....	13
Tones .....	7	Convection Broil .....	13
Fahrenheit and Celsius.....	7	Proofing Bread.....	13
Tools .....	7	Temperature Probe.....	13
Clock.....	7	Timed Cooking .....	14
Kitchen Timer .....	7	<b>OVEN CARE</b> .....	<b>14</b>
Control Lock .....	7	High Temp Self-Cleaning Cycle .....	14
Oven Temperature Control .....	8	General Cleaning .....	15
Sabbath Mode.....	8	Oven Lights.....	16
<b>OVEN USE</b> .....	<b>9</b>	Oven Door.....	16
Aluminum Foil.....	9	<b>TROUBLESHOOTING</b> .....	<b>17</b>
Oven Racks .....	9	<b>ASSISTANCE OR SERVICE</b> .....	<b>18</b>
Rack and Bakeware Positions .....	9	In the U.S.A.....	18
SatinGlide™ Roll-Out Extension Rack.....	10	In Canada.....	18
Bakeware.....	11	<b>ACCESSORIES</b> .....	<b>19</b>
Meat Thermometer.....	11	In Canada.....	19
		<b>WARRANTY</b> .....	<b>20</b>

# BUILT-IN OVEN SAFETY

## Your safety and the safety of others are very important.

We have provided many important safety messages in this manual and on your appliance. Always read and obey all safety messages.



This is the safety alert symbol.

This symbol alerts you to potential hazards that can kill or hurt you and others.

All safety messages will follow the safety alert symbol and either the word "DANGER" or "WARNING." These words mean:

**⚠ DANGER**

You can be killed or seriously injured if you don't **immediately** follow instructions.

**⚠ WARNING**

You can be killed or seriously injured if you don't follow instructions.

All safety messages will tell you what the potential hazard is, tell you how to reduce the chance of injury, and tell you what can happen if the instructions are not followed.

## IMPORTANT SAFETY INSTRUCTIONS

**WARNING:** To reduce the risk of fire, electrical shock, injury to persons, or damage when using the oven, follow basic precautions, including the following:

- Proper Installation – Be sure the oven is properly installed and grounded by a qualified technician.
- Never Use the Oven for Warming or Heating the Room.
- Do Not Leave Children Alone – Children should not be left alone or unattended in area where oven is in use. They should never be allowed to sit or stand on any part of the oven.
- Wear Proper Apparel – Loose-fitting or hanging garments should never be worn while using the oven.
- User Servicing – Do not repair or replace any part of the oven unless specifically recommended in the manual. All other servicing should be referred to a qualified technician.
- Storage in Oven – Flammable materials should not be stored in an oven.
- Do Not Use Water on Grease Fires – Smother fire or flame or use dry chemical or foam-type extinguisher.
- Use Only Dry Potholders – Moist or damp potholders on hot surfaces may result in burns from steam. Do not let potholder touch hot heating elements. Do not use a towel or other bulky cloth.
- Use Care When Opening Door – Let hot air or steam escape before removing or replacing food.
- Do Not Heat Unopened Food Containers – Build-up of pressure may cause container to burst and result in injury.

- Keep Oven Vent Ducts Unobstructed.
- Placement of Oven Racks – Always place oven racks in desired location while oven is cool. If rack must be moved while oven is hot, do not let potholder contact hot heating element in oven.
- DO NOT TOUCH HEATING ELEMENTS OR INTERIOR SURFACES OF OVEN – Heating elements may be hot even though they are dark in color. Interior surfaces of an oven become hot enough to cause burns. During and after use, do not touch, or let clothing or other flammable materials contact heating elements or interior surfaces of oven until they have had sufficient time to cool. Other surfaces of the oven may become hot enough to cause burns – among these surfaces are oven vent openings and surfaces near these openings, oven doors, and windows of oven doors.

### For self-cleaning ovens:

- Do Not Clean Door Gasket – The door gasket is essential for a good seal. Care should be taken not to rub, damage, or move the gasket.
- Do Not Use Oven Cleaners – No commercial oven cleaner or oven liner protective coating of any kind should be used in or around any part of the oven.
- Clean Only Parts Listed in Manual.
- Before Self-Cleaning the Oven – Remove broiler pan and other utensils.

## SAVE THESE INSTRUCTIONS

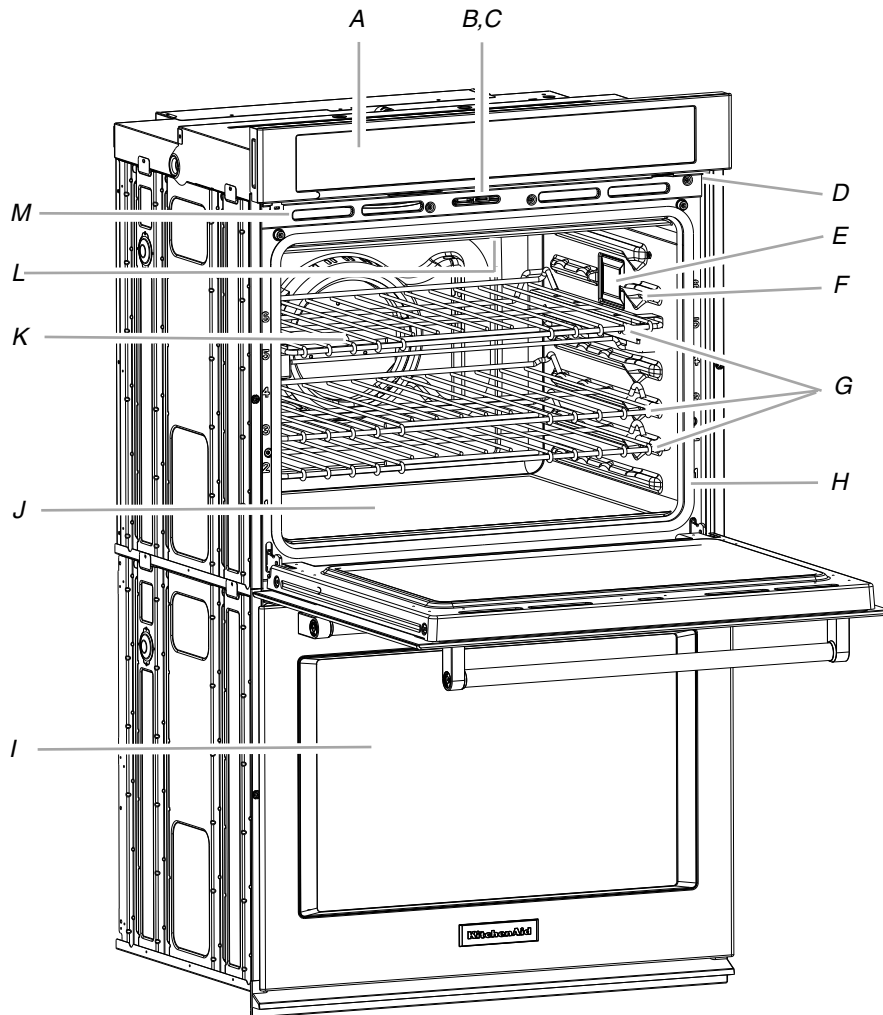
State of California Proposition 65 Warnings:

WARNING: This product contains one or more chemicals known to the State of California to cause cancer.

WARNING: This product contains one or more chemicals known to the State of California to cause birth defects or other reproductive harm.

# PARTS AND FEATURES

This manual covers different models. The oven you have purchased may have some or all of the items listed. The locations and appearances of the features shown here may not match those of your model.



- A. Electronic oven control
- B. Automatic oven light switch
- C. Oven door lock latch
- D. Model and serial number plate  
(on bottom edge of control panel,  
right hand side)
- E. Oven lights
- F. Temperature probe jack (oven with  
convection element and fan only)

- G. Oven racks (roll-out racks available  
on select models only)
- H. Gasket
- I. Lower oven (on double oven models)
- J. CleanBake™ bake element  
(hidden beneath floor panel)
- K. Convection element and fan  
(in back panel)
- L. Broil elements (not shown)
- M. Oven vent

**Parts and Features not shown**  
Temperature probe

# FEATURE GUIDE

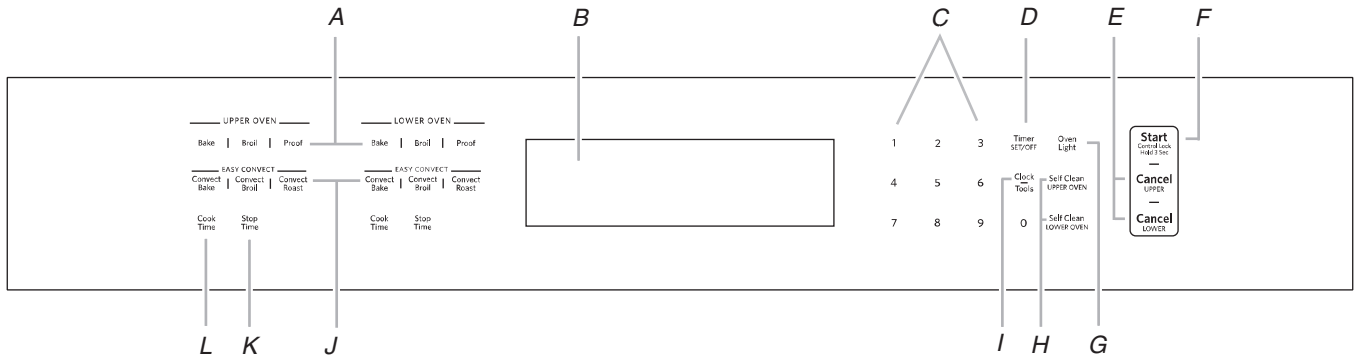
This manual covers several models. Your model may have some or all of the items listed. Refer to this manual or the Frequently Asked Questions (FAQs) section of our website at [www.kitchenaid.com](http://www.kitchenaid.com) for more detailed instructions. In Canada, refer to the Service and Support section at [www.kitchenaid.ca](http://www.kitchenaid.ca).

## ⚠ WARNING

### Food Poisoning Hazard

**Do not let food sit in oven more than one hour before or after cooking.**

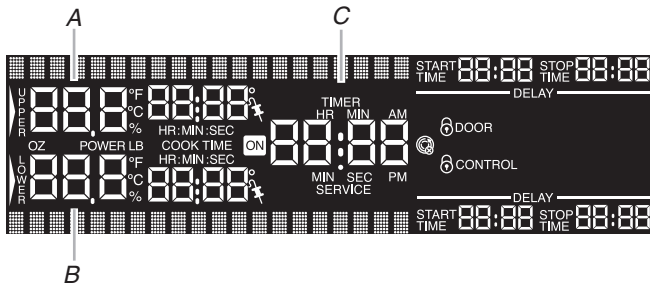
**Doing so can result in food poisoning or sickness.**



A. Oven settings  
B. Oven display  
C. Number keys  
D. Kitchen timer

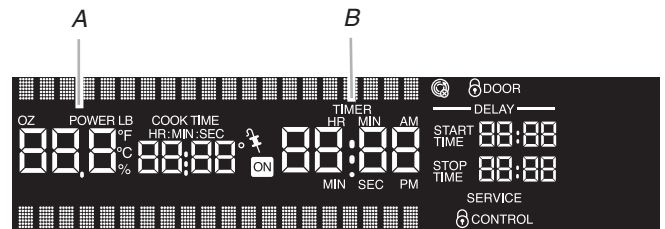
E. Upper and lower oven cancel (double oven models)  
Cancel (single oven models)  
F. Start/control lock  
G. Oven light  
H. Self clean

I. Clock/Tools  
J. Convection cooking settings  
K. Stop time  
L. Cook time



### Double Oven Display

A. Upper oven cavity display  
B. Lower oven cavity display  
C. Time of day, timer display



### Single Oven Display

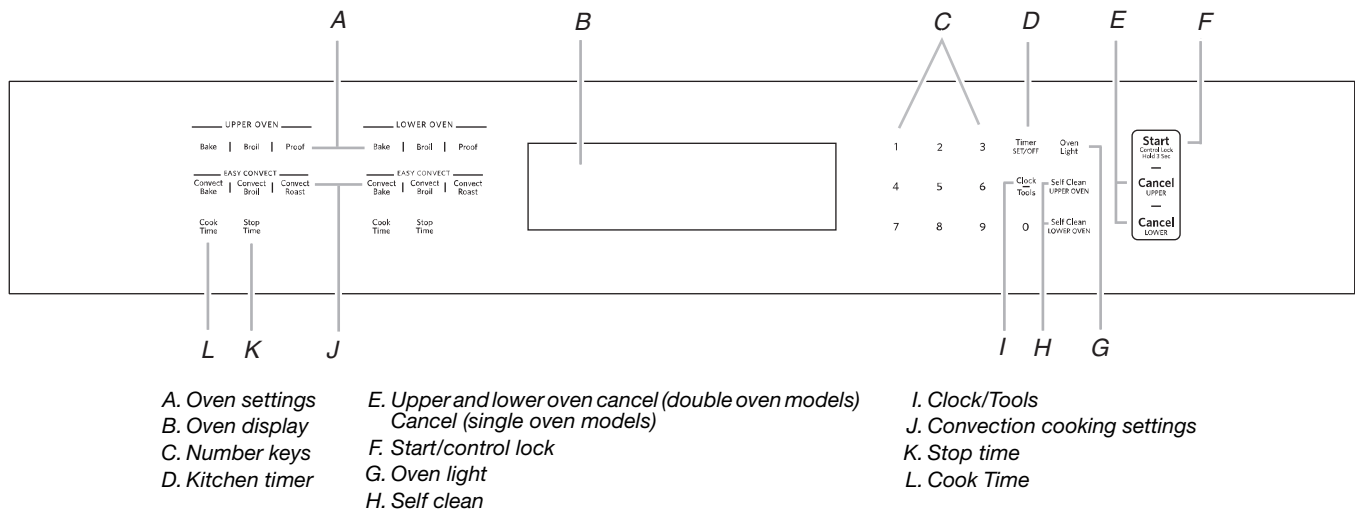
A. Oven cavity display  
B. Time of day, timer display

KEY	FEATURE	INSTRUCTIONS
<b>CLOCK/TOOLS</b>	<b>Clock</b>	The Clock uses a 12-hour cycle. See the “Electronic Oven Controls” section. 1. Touch CLOCK/TOOLS. 2. Touch the “1” key to select Clock. Then touch the number keys to set the time of day. 3. Touch START.
<b>CLOCK/TOOLS</b>	<b>Settings</b>	Enables you to personalize the audible tones and oven operation to suit your needs. See the “Electronic Oven Controls” section.
<b>OVEN LIGHT</b>	<b>Oven cavity light</b>	The oven light is controlled by a key on the oven control panel. While the oven door is closed, touch OVEN LIGHT to turn the light on and off. When the oven door is opened, the oven light will automatically come on.

KEY	FEATURE	INSTRUCTIONS
<b>TIMER (SET/OFF)</b>	<b>Oven timer</b>	<p>The Timer can be set in hours or minutes up to 23 hours and 59 minutes.</p> <ol style="list-style-type: none"> <li>1. Touch TIMER SET/OFF. Touch TIMER SET/OFF again to switch between MIN/SEC, HR/MIN, and OFF. If no action is taken, the control will continue to wait for a length of time to be entered.</li> <li>2. Touch the number keys to set the length of time.</li> <li>3. Touch TIMER SET/OFF. If the key is not touched, the control will continue to wait for SET/START to be touched. When the set time ends, 4 chimes will continuously repeat until the Timer Set/Off key is touched.</li> <li>4. Touch TIMER SET/OFF anytime to cancel the Kitchen Timer or stop the reminder tones. If CANCEL is touched, the respective oven will turn off. However, the kitchen timer can be turned off only by using TIMER SET/OFF.</li> </ol>
<b>START</b>	<b>Cooking start</b>	The Start key begins any oven function. If Start is not touched within 5 minutes after touching a key, the function is canceled and the time of day is displayed.
<b>CANCEL UPPER CANCEL LOWER</b>	<b>Range function</b>	The Cancel keys stop any function for the appropriate oven except the Clock and Timer.
<b>BAKE (Upper and Lower Oven)</b>	<b>Baking and roasting</b>	<ol style="list-style-type: none"> <li>1. Touch Upper Oven or Lower Oven BAKE. Touch the number keys to enter a temperature other than 350°F (177°C). The bake range can be set between 145°F and 550°F (63°C and 288°C).</li> <li>2. Touch START. “Lo” will appear on the oven display if the actual oven temperature is under 100°F (38°C), and “Preheating” will appear in the lower area of the display. When the actual oven temperature reaches 100°F (38°C), the oven display will begin displaying the temperature as it increases. When the set temperature is reached, if on, one tone will sound.</li> <li>3. Touch CANCEL for the selected oven when finished cooking.</li> </ol>
<b>BROIL</b>	<b>Broiling</b>	<p>Close the door.</p> <ol style="list-style-type: none"> <li>1. Touch Upper or Lower BROIL. Touch the number keys to enter a temperature other than 550°F (288°C). The broil range can be set between 450°F and 550°F (232°C and 288°C).</li> <li>2. Touch START. A long chime will sound. The set oven temperature will appear on the oven display until the oven is turned off.</li> <li>3. Touch CANCEL for the selected oven when finished cooking.</li> </ol>
<b>EASY CONVECT BAKE</b>	<b>Convect bake</b>	<p>Before convection baking, position racks according to the “Rack And Bakeware Positions” section.</p> <ol style="list-style-type: none"> <li>1. Touch Upper or Lower CONVECT BAKE.</li> <li>2. Touch the number keys to choose whether or not to convert the recipe.</li> <li>3. If “1: Yes” has been selected, you will see a screen with “easy convect bake.” Then touch the number keys to enter a temperature. The convection bake range can be set between 170°F and 550°F (77°C and 288°C). The oven temperature will automatically be reduced by 25°F (14°C) for EasyConvect™ Bake, and the adjusted temperature will show on the display, but the cook time will not be adjusted. Then touch the number keys to enter a cook time. <b>NOTE:</b> If a temperature between 170°F and 194°F (77°C and 90°C) is entered, the display will show only 170°F (77°C) and not the reduced temperature.</li> <li>4. If “2: No” has been selected, Convect Bake will continue without conversion. Touch the “1” number key to use Rapid Preheat or “2” to continue without Rapid Preheat. Then touch the number keys to enter a temperature. <b>NOTE:</b> Rapid Preheat Convect Bake should only be used for 1-rack baking.</li> <li>5. Touch START. “Lo” will appear on the oven display if the actual oven temperature is under 100°F (38°C), and “Preheating” will appear in the lower area of the display. When the actual oven temperature reaches 100°F (38°C), the oven display will show the oven temperature increasing. When the set temperature is reached, if on, 1 chime will sound.</li> <li>6. Touch CANCEL for the selected oven when finished cooking.</li> </ol>
<b>EASY CONVECT ROAST</b>	<b>Convect roast</b>	<ol style="list-style-type: none"> <li>1. Touch Upper or Lower CONVECT ROAST.</li> <li>2. Touch the number keys to choose whether or not to convert the recipe.</li> <li>3. If “1: Yes” has been selected, you will see a screen with “easy convect roast.” Touch the number keys to enter a temperature. The convection roast range can be set between 170°F and 550°F (77°C and 288°C). Touch the number keys to enter a cook time. The cook time will automatically be adjusted to 80% of the time entered, and the adjusted cook time will appear on the display, but temperature will not be adjusted.</li> <li>4. If “2: No” has been selected, Convect Roast will continue without conversion. Touch the number keys to enter a temperature.</li> <li>5. Touch START. A long chime will sound. The set oven temperature will appear on the oven display until the oven is turned off.</li> <li>6. Touch CANCEL for the selected oven when finished cooking.</li> </ol>

KEY	FEATURE	INSTRUCTIONS
<b>CONVECT MODE</b>	<b>Convect broil</b>	<p>Close the door.</p> <ol style="list-style-type: none"> <li>1. Touch Upper or Lower CONVECT BROIL. Touch the number keys to enter a temperature other than 550°F (288°C). The convection broil range can be set between 450°F and 550°F (232°C and 288°C).</li> <li>2. Touch START. The set oven temperature will appear on the oven display until oven is turned off.</li> <li>3. Touch CANCEL for the selected oven when finished cooking.</li> </ol>
<b>PROOF</b>	<b>Proofing bread</b>	<ol style="list-style-type: none"> <li>1. Touch Upper or Lower PROOF. Display will show 100°F (38°C).</li> <li>2. Touch START. Let dough rise until nearly doubled in size, and then check at 20 to 25 minutes. Proofing time may vary depending on dough type and quantity.</li> <li>3. Touch CANCEL for the selected oven when finished cooking.</li> </ol> <p>Refer to the “Proofing Bread” section for more information.</p>
<b>STOP TIME</b>	<b>Delayed start</b>	<p>The Stop Time key is used to enter the starting time for an oven function with a delayed start. Stop Time should not be used for foods such as breads and cakes because they may not bake properly.</p> <p>To set Cook Time or Stop Time, see the “Timed Cooking” section.</p>
<b>COOK TIME</b>	<b>Timed cooking</b>	<p>Cook Time allows the oven to cook for a set length of time, and/or shut off automatically.</p> <p>To set Cook Time or Stop Time, see the “Timed Cooking” section.</p>

## Electronic Oven Controls



## Display

When power is first supplied to the oven, the timer display will flash “12:00”, and “Clock-Enter Time” will appear on the display. Enter the time by touching the number keys. Touch START to allow operation. To allow operation without setting a time, touch START or CANCEL.

### Oven Display

When the oven(s) are in use, this display shows the oven temperature, heat source(s) and start time. On double oven models, this display will also show which oven is being set. The upper cavity symbol represents the upper oven; the lower cavity symbol represents the lower oven.

In addition, during Timed Cooking, this display shows a time countdown and the stop time (if entered).

### Time of Day, Timer Display

When the oven(s) are not in use, this display shows the time of day or Timer countdown.

## Start

The START key begins all oven functions except Sabbath Mode. If the Start key is not touched within 5 seconds after touching another key, “START?” will appear on the oven display as a reminder. If the Start key is not touched within 5 minutes after touching another key, the oven display will return to inactive mode and the programmed function will be canceled.

## Lower Cancel, Upper Cancel and Cancel

The Lower Cancel, Upper Cancel and Cancel keys stop their respective oven functions except for the Clock, Kitchen Timer, and Control Lock. The oven cooling fan(s) may continue to operate even after an oven function has been canceled or completed, depending on the oven temperature.

## Tones

Tones are audible signals, indicating the following:

One beep

- Valid key touch
- Function has been entered

One chime

- Preheat cycle has been completed

Three beeps

- Invalid key touch

Three chimes

- End of a cooking cycle

Four chimes

- When timer reaches zero  
Includes using the Kitchen Timer for functions other than cooking.

---

### Tone Volume

The volume is preset at low, but can be changed to high.

**To Change:** Touch TOOLS, and then “4” to toggle volume between high and low settings.

---

### All Tones

All tones are preset on, but can be turned off.

**To Turn Off/On:** Touch TOOLS, and then “3” to toggle tones between on/off settings.

---

### End-of-Cycle and Reminder Tones

The Timed Cooking end-of-cycle and reminder tones are preset on, but can be turned off. If all tones have been turned off, the end-of-cycle and reminder tones cannot be independently turned on.

**To Turn Tones Off/On:** Touch TOOLS, and then “5” to turn On. Touch TOOLS, and then “5” to turn Off.

**NOTE:** Turning off this reminder tone does not turn off the Kitchen Timer tone.

---

## Fahrenheit and Celsius

The temperature is preset in Fahrenheit; however it can be changed to Celsius.

**To Change:** Touch TOOLS, and then “2” to toggle temperature between Fahrenheit and Celsius settings.

When the temperature is in Fahrenheit, “°F” follows the oven temperature.

When the temperature is in Celsius, “°C” follows the oven temperature.

## Tools

The Tools selection key allows you access to 9 hidden functions within the Electronic Oven Control. These hidden functions allow you to set the clock, change the oven temperature between Fahrenheit and Celsius, turn the audible signals and prompts on and off, and adjust the oven calibration, change the language, and turn on the Demo Mode.

The Sabbath Mode is also set using the Tools selection key.

**To Use:** Touch CLOCK/TOOLS. The oven display will scroll through the various tools, starting at “1” and ending automatically at “9.” You can also touch the Tools key repeatedly to manually scroll through the list of tools.

TOOLS	HIDDEN FUNCTION
1	Clock
2	Fahrenheit and Celsius conversion
3	Sound On/Off
4	Sound High/Low
5	End tone On/Off
6	Calibration
7	Sabbath
8	Language
9	Demo Mode

---

## Clock

This is a 12-hour clock. Before setting, make sure the oven(s), Kitchen Timer, and Timed Cooking are off.

To Set:

1. Touch CLOCK/TOOLS.
2. Touch the “1” key.
3. Select Clock, and then touch the number keys to set the time of day.
4. Touch START.

---

## Kitchen Timer

The Kitchen Timer can be set in minutes and seconds or hours and minutes, and counts down the set time.

**NOTE:** The Kitchen Timer does not start or stop the oven.

---

## Control Lock

The Control Lock shuts down the control panel keys to avoid unintended use of the oven(s). The Control Lock will remain set after a power failure, if set before the power failure occurs. When the control is locked, only the Start, Timer Set/Off and Oven Light keys will function.

The Control Lock is preset unlocked, but can be locked.

**To Lock Control:** Touch and hold START for approximately 3 seconds, until “Control Locked” appears on the lower text line and a lock icon appears in the display.

**To Unlock Control:** Repeat to unlock. “Control Unlocked” appears on the lower text line and the lock icon will be removed.

## Oven Temperature Control

**IMPORTANT:** Do not use a thermometer to measure the oven temperature. Elements will cycle on and off as needed to maintain a consistent temperature but may run slightly hot or cool at any point in time due to this cycling. Opening the oven door will affect cycling of the elements and impact the temperature.

The oven provides accurate temperatures and has been thoroughly tested at the factory. However, it may cook faster or slower than your previous oven, causing baking or browning differences. If necessary, the temperature calibration can be adjusted in either Fahrenheit or Celsius.

On double ovens, the upper oven and the lower oven can each be calibrated independently.

A minus sign means the oven will be cooler by the displayed amount. The absence of a minus sign means the oven will be warmer by the displayed amount. Use the following chart as a guide.

**NOTE:** The oven display will continue to show the original set temperature and will not reflect the calibration offset. For example, if set to 350° (177°C) and calibrated to -20, the display will continue to show 350° (177°C).

ADJUSTMENT °F (AUTOMATIC °C CHANGE)	COOKS FOOD
10°F (6°C)	...a little more
20°F (12°C)	...moderately more
30°F (18°C)	...much more
0°F (0°C)	default setting
-10°F (-6°C)	...a little less
-20°F (-12°C)	...moderately less
-30°F (-18°C)	...much less

To Adjust Oven Temperature Calibration:

1. Touch TOOLS, and then “6” to set the calibration.
2. Touch the “1” key to select the upper oven or the “2” key to select the lower oven.  
Each oven calibration can be independently set.
3. Touch “3” to increase and “6” to decrease the temperature.
4. Touch START to end calibration.

## Sabbath Mode

The Sabbath Mode sets the oven(s) to remain on in a bake setting until turned off. A timed Sabbath Mode can also be set to keep the oven on for only part of the Sabbath.

When the Sabbath Mode is set, the allowed keys are: the number keys, Start, Tools (to disable only), and Cancel. The display will scroll information on selecting the desired oven temperature.

When the oven door is opened or closed, the oven light will not turn on or off, and the heating elements will not turn on or off immediately.

If a power failure occurs when the Sabbath Mode is set, the oven(s) will remain in Sabbath Mode but will no longer be actively cooking. The “ON” indicator will no longer be lit. Touch Upper or Lower CANCEL to return to normal operating mode (non-Sabbath Mode, not cooking).

To Enable:

Before the Sabbath Mode can be regularly set, the oven(s) must first be enabled with a one time only setup. On double oven models, the following step will enable both ovens.

1. Touch CLOCK/TOOLS, and then touch number key “7.” “SABBATH MODE ON” will appear on the oven display for approximately 5 seconds.

To Disable:

The oven(s) can be disabled of the ability to set the Sabbath Mode by repeating the previous steps. See the “To Enable” section. When the oven(s) is disabled, “SABBATH MODE OFF” will appear on the display and remain on for approximately 5 seconds.

The Sabbath Mode cannot be regularly set until re-enabled.

On double oven models, these steps will disable both ovens.

To Regularly Set, Untimed to Activate:

Sabbath Mode must be enabled before starting the Bake cycle. See the “To Enable” section.

1. Touch Upper or Lower BAKE.  
Touch the number keys to enter a temperature other than 350°F (177°C). The bake range can be set between 145°F and 550°F (63°C and 288°C).
2. Touch START.
3. Touch CLOCK/TOOLS, and then number key “7.” “SABBATH MODE” will appear on the oven display.

To Regularly Set, Timed:

## WARNING

### Food Poisoning Hazard

**Do not let food sit in oven more than one hour before or after cooking.**

**Doing so can result in food poisoning or sickness.**

Sabbath Mode must be enabled before starting the Bake cycle. See the “To Enable” section.

1. Touch Upper or Lower BAKE.  
Touch the number keys to enter a temperature other than 350°F (177°C). The bake range can be set between 145°F and 550°F (63°C and 288°C).
2. Touch COOK TIME.
3. Touch the number keys to enter the length of Sabbath Mode time, up to 11 hours 59 minutes.
4. Touch START. The oven will begin a timed bake cycle.
5. Touch CLOCK/TOOLS, and then touch number key “7.” “SABBATH MODE” will appear on the oven display.  
The start time and stop time will appear on the lower oven display.
6. When the stop time is reached, the oven will automatically turn off. The oven control will remain in Sabbath Mode until the Cancel button is touched.



### Temperature Change

The oven temperature can be changed when the oven(s) are in the Sabbath Mode. No tones will sound, and the display will not change. The heating elements will not turn on or off for a random time, anywhere from 16 to 24 seconds. It may take up to one-half hour for the oven to change temperature.

Number keys "1" through "0" represent temperatures. Use the following chart as a guide.

NUMBER KEY	OVEN TEMPERATURE
1	170°F (76°C)
2	200°F (93°C)
3	225°F (107°C)
4	250°F (121°C)
5	300°F (148°C)

NUMBER KEY	OVEN TEMPERATURE
6	325°F (162°C)
7	350°F (176°C)
8	375°F (190°C)
9	400°F (204°C)
0	450°F (232°C)

### To Change Temperature:

Initially, on double ovens, the cavities can be set for independent temperatures. However, once Sabbath Mode is running, if the temperature is changed, both cavities will use the new temperature.

1. Touch the number key from the chart.
2. Touch START.

## OVEN USE

Odors and smoke are normal when the oven is used the first few times, or when it is heavily soiled.

During oven use, the heating elements will not remain on, but will cycle on and off throughout oven operation.

**IMPORTANT:** The health of some birds is extremely sensitive to the fumes given off. Exposure to the fumes may result in death to certain birds. Always move birds to another closed and well-ventilated room.

### Aluminum Foil

**IMPORTANT:** To avoid permanent damage to the oven bottom finish, do not line the oven bottom with any type of foil or liner.

- For best cooking results, do not cover entire rack with foil because air must be able to move freely.
- To catch spills, place foil on rack below dish. Make sure foil is at least 1/2" (1.3 cm) larger than the dish and that it is turned up at the edges.

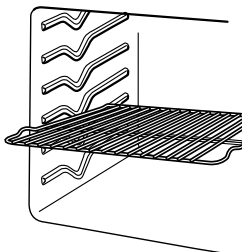
### Oven Racks

**IMPORTANT:** To avoid permanent damage to the porcelain finish, do not place food or bakeware directly on the oven door or bottom.

#### Racks

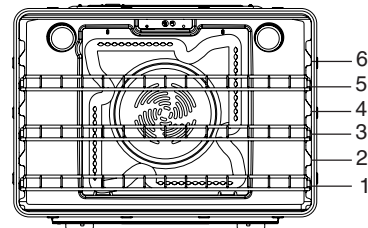
- Position racks before turning on the oven.
- Do not position racks with bakeware on them.
- Make sure racks are level.

To move a rack, pull it out to the stop position, raise the front edge, then lift out. Use the following illustration and charts as guides.



### Rack and Bakeware Positions

#### Rack Positions - Upper And Lower Oven



#### Broiling

FOOD	RACK POSITION
Most broiling	6

For hamburger patties to have a well-seared exterior and a rare interior, use a flat rack in position 6. Side 1 should cook for approximately 3 minutes. Side 2 should cook for approximately 3 to 4 minutes. Expect a moderate degree of smoke when broiling.

#### Traditional Cooking

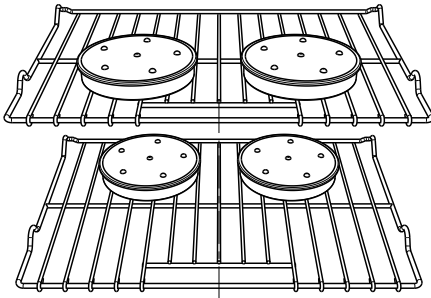
FOOD	RACK POSITION
Large roasts, turkeys, angel food, bundt cakes, quick breads, pies	1 or 2
Yeast breads, casseroles, meat and poultry	2
Cookies, biscuits, muffins, cakes	2 or 3 when single-rack baking; 2f and 5f when multi-rack baking

## Convection Cooking

OVEN SETTING	NUMBER OF RACKS USED	RACK POSITION(S)
Rapid Preheat Bake	1	3
Rapid Preheat Convection Bake	1	3
Convection Bake	1	1, 2 or 3
Convection Bake	2	2 and 5
Convection Bake	3	1, 3 and 5
Convection Roast	1	1 or 2
Convection Broil	1	4, 5 or 6

### Baking Cakes on 2 Racks

For best results when baking cakes on 2 racks, use the Bake function and flat racks in positions 2 and 5. Place the cakes on the racks as shown. Keep at least 2 inches of space between the front of the racks and the front of the cakes.



### Baking Cookies on 2 Racks

For best results when baking cookies on 2 racks, use the Convection Bake function and place flat racks in positions 2 and 5.

#### Bakeware

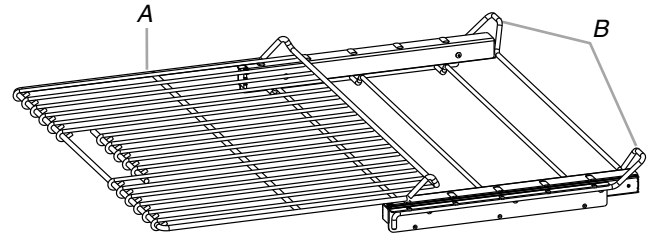
To cook food evenly, hot air must be able to circulate. For best results, allow 2" (5 cm) of space around bakeware and oven walls. Use the following chart as a guide.

NUMBER OF PAN(S)	POSITION ON RACK
1	Center of rack.
2	Side by side or slightly staggered.
3 or 4	See the rack position graphics in this section for pan placement recommendations.

## SatinGlide™ Roll-Out Extension Rack

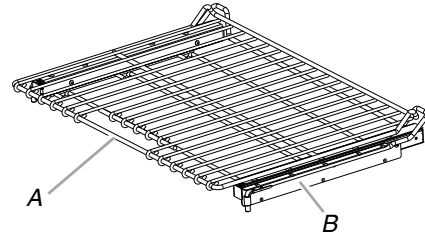
The SatinGlide™ roll-out extension rack allows easy access to position and remove food in the oven. It can be used in rack positions 1 through 6.

### Open Position



A. SatinGlide™ roll-out extension rack  
B. Sliding shelf

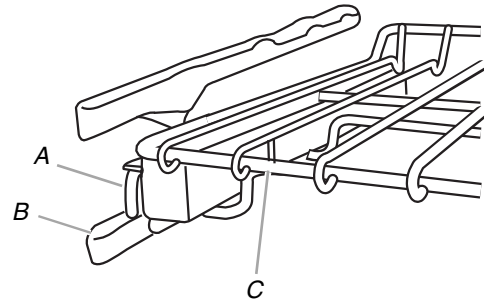
### Closed and Engaged Position



A. SatinGlide™ roll-out extension rack  
B. Sliding shelf

To Remove SatinGlide™ Roll-Out Extension Rack:

1. Slide the rack in completely so that it is closed and engaged with the sliding shelf.
2. Using 2 hands, lift up on the front edge of the rack and push the sliding shelf to the back wall of the oven so that the front edge of the sliding shelf sits on the rack guides. The front edge of the rack and the sliding shelf should be higher than the back edge.



A. Sliding shelf  
B. Rack guide  
C. SatinGlide™ roll-out extension rack

3. Pull the rack and the sliding shelf out.

## To Replace SatinGlide™ Roll-out Extension Rack

- Using 2 hands, grasp the front of the closed rack and the sliding shelf. Place the closed rack and the sliding shelf on the rack guide.
- Using 2 hands, lift up on the front edge of the rack and the sliding shelf together.
- Slowly push the rack and the sliding shelf to the back of the oven until the back edge of the rack pulls over the end of the rack guide.

To avoid damage to the sliding shelves, do not place more than 25 lbs (11.4 kg) on the rack.

Do not clean the SatinGlide™ roll-out extension rack in a dishwasher. It may remove the rack's lubricant and affect its ability to slide.

See the "General Cleaning" section for more information.

## Bakeware

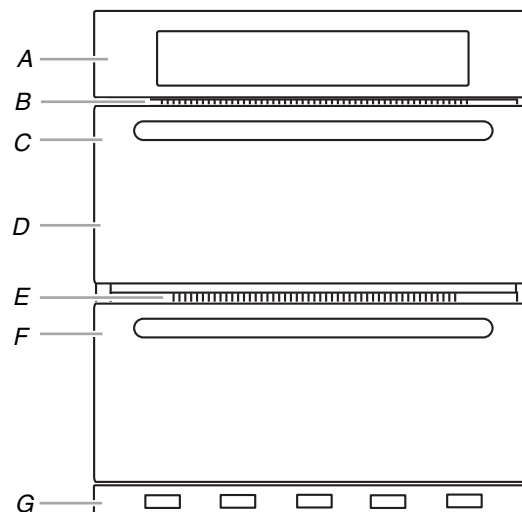
The bakeware material affects cooking results. Follow manufacturer's recommendations and use the bakeware size recommended in the recipe. Use the following chart as a guide.

BAKEWARE/ RESULTS	RECOMMENDATIONS
<b>Light colored aluminum</b> <ul style="list-style-type: none"> <li>Light golden crusts</li> <li>Even browning</li> </ul>	<ul style="list-style-type: none"> <li>Use temperature and time recommended in recipe.</li> </ul>
<b>Dark aluminum and other bakeware with dark, dull and/or nonstick finish</b> <ul style="list-style-type: none"> <li>Brown, crisp crusts</li> </ul>	<ul style="list-style-type: none"> <li>May need to reduce baking temperatures slightly.</li> <li>Use suggested baking time.</li> <li>For pies, breads and casseroles, use temperature recommended in recipe.</li> <li>Place rack in center of oven.</li> </ul>
<b>Insulated cookie sheets or baking pans</b> <ul style="list-style-type: none"> <li>Little or no bottom browning</li> </ul>	<ul style="list-style-type: none"> <li>Follow rack recommendations in the "Position Racks and Bakeware" section.</li> <li>May need to increase baking time.</li> </ul>
<b>Stainless steel</b> <ul style="list-style-type: none"> <li>Light, golden crusts</li> <li>Uneven browning</li> </ul>	<ul style="list-style-type: none"> <li>May need to increase baking time.</li> </ul>
<b>Stoneware/Baking stone</b> <ul style="list-style-type: none"> <li>Crisp crusts</li> </ul>	<ul style="list-style-type: none"> <li>Follow manufacturer's instructions.</li> </ul>
<b>Ovenproof glassware, ceramic glass or ceramic</b> <ul style="list-style-type: none"> <li>Brown, crisp crusts</li> </ul>	<ul style="list-style-type: none"> <li>May need to reduce baking temperatures slightly.</li> </ul>

## Meat Thermometer

Not all models have a temperature probe. On models without a temperature probe, use a meat thermometer to determine whether meat, poultry and fish are cooked to the desired degree of doneness. The internal temperature, not appearance, should be used to determine doneness.

## Oven Vent(s)



### Single and Double Oven

- A. Control panel
- B. Oven vent
- C. Single oven or upper double oven
- G. Bottom vent

### Double Oven

- D. Upper oven
- E. Oven vent
- F. Lower oven
- G. Bottom vent

The oven vent(s) should not be blocked or covered since they allow the inlet of fresh air into the cooling system. Also, the bottom vent should not be blocked or covered since it allows the inlet of fresh air into the cooling system and the outlet of hot air from the cooling system. Blocking or covering vents will cause poor air circulation, affecting cooking, cleaning and cooling results.

## Preheating and Oven Temperature

### Preheating

When beginning a Bake or Convection Bake cycle, the oven begins preheating after Start is touched. The oven will take approximately 12 to 17 minutes to reach 350°F (177°C) with all of the oven racks provided with your oven inside the oven cavity. Higher temperatures will take longer to preheat. The preheat cycle rapidly increases the oven temperature. The actual oven temperature will go above your set temperature to offset the heat lost when your oven door is opened to insert food. This ensures that when you place your food in the oven, the oven will begin at the proper temperature. Insert your food when the preheat tone sounds. Do not open the door during preheat until the tone sounds.

### Oven Temperature

While in use, the oven elements will cycle on and off as needed to maintain a consistent temperature. They may run slightly hot or cool at any point in time due to this cycling. Opening the oven door while in use will release the hot air and cool the oven which could impact the cooking time and performance. It is recommended to use the oven light to monitor cooking progress.

## Baking and Roasting

**IMPORTANT:** The convection fan and convection element may operate during the Bake function to enhance performance and heat distribution.

The oven will take approximately 12 to 17 minutes to reach 350°F with all oven racks inside the oven cavity. The preheat cycle rapidly increases the temperature inside the oven cavity. Higher temperatures will take longer to preheat. Factors that impact preheat times include room temperature, oven temperature, and the number of racks. Unused oven racks can be removed prior to preheating your oven to help reduce preheat time. The actual oven temperature will go above the set temperature to offset the heat lost when the oven door is opened to insert food. This ensures that the oven will begin at the proper temperature when you place food in the oven. Insert food when the preheat tone sounds. Do not open the door during preheat until the tone sounds.

During baking or roasting, the bake and broil elements will cycle on and off in intervals to maintain the oven temperature.

Depending on the model, if the oven door is opened during baking or roasting, the heating elements (bake and broil) will turn off approximately 30 seconds after the door is opened. They will turn on again approximately 30 seconds after the door is closed.

## Broiling

Broiling uses direct radiant heat to cook food.

The element cycles on and off in intervals to maintain the oven temperature.

**IMPORTANT:** Close the door to ensure proper broiling temperature.

If the oven door is opened during broiling, the broil element will turn off in approximately 30 seconds. When the oven door is closed, the element will come back on approximately 30 seconds later.

- For best results, use a broiler pan and grid. It is designed to drain juices and help avoid spatter and smoke.  
If you would like to purchase a Broiler Pan Kit, it may be ordered. See “Accessories” section to order.
- For proper draining, do not cover the grid with foil. The bottom of the broiler pan may be lined with aluminum foil for easier cleaning.
- Trim excess fat to reduce spattering. Slit the remaining fat on the edges to avoid curling.
- Pull out oven rack to stop position before turning or removing food. Use tongs to turn food to avoid the loss of juices. Very thin cuts of fish, poultry or meat may not need to be turned.
- After broiling, remove the pan from the oven when removing the food. Drippings will bake on the pan if left in the heated oven, making cleaning more difficult.

## Convection

In a convection oven, the fan-circulated hot air distributes heat more evenly. This movement of hot air helps maintain a consistent temperature throughout the oven, cooking foods more evenly, while sealing in moisture.

Most foods, using convection baking mode, can be cooked by lowering cooking temperatures 25°F (14°C). The cooking time, can be shortened significantly when using Convection Roast, especially for large turkeys and roasts.

- It is important not to cover foods with lids or aluminum foil so that surface areas remain exposed to the circulating air, allowing browning and crisping.
- Keep heat loss to a minimum by opening the oven door only when necessary. It is recommended to use the oven light to monitor progress.
- Choose cookie sheets without sides and roasting pans with lower sides to allow air to move freely around the food.
- Test baked goods for doneness a few minutes before the minimum cooking time using a method such as a toothpick.
- Use a meat thermometer or the temperature probe to determine the doneness of meats and poultry. Check the temperature of pork and poultry in 2 or 3 places.

## Convection Bake (on some models)

The convection element is hidden in the rear panel of the oven cavity, and assisted by the convection fan, provides balanced, efficient heating.

Convection baking can be used for baking delicate cakes and pastries, as well as foods on multiple racks. It is helpful to stagger items on the racks to allow a more even flow of heat. If the oven is full, extra cooking time may be needed.

When cooking an oven meal with several different types of foods, be sure to select recipes that require similar temperatures. Cookware should sit in the oven with at least 2" (5 cm) of space between the cookware and the sides of the oven.

During convection baking preheat, the convection element, broil element and the CleanBake™ element all heat the oven cavity. After preheat, the convection element, broil element and the CleanBake™ element will cycle on and off in intervals to maintain oven temperature, while the fan circulates the hot air.

If the oven door is opened during convection baking, the fan turns off immediately when the door is opened and turns on immediately when the door is closed. Convection, Bake and Broil elements will turn off approximately 30 seconds after the door is opened. They will turn on again approximately 30 seconds after the door is closed.

**NOTE:** it is normal for the convection fan to run during non-convection cycles as well as during preheat.

- Reduce recipe temperature 25°F (14°C). The cook time may need to be reduced also.

To Convection Bake:

Before convection baking, position racks according to the “Rack and Bakeware Positions” section.

## Convection Roast (on some models)

Convection roasting can be used for roasting meats and poultry. During convection roasting, the broil, convect, and CleanBake™ elements will cycle on and off in intervals to maintain oven temperature, while the fan circulates the hot air.

If the oven door is opened during convection roasting, the fan turns off immediately when the door is opened and turns on immediately when the door is closed. Bake, broil, and convect elements will turn off approximately 30 seconds after the door is opened. They will turn on again approximately 30 seconds after the door is closed.

**NOTE:** it is normal for the convection fan to run during non-convection cycles as well as during preheat.

### To Convection Roast

Before convection roasting, position racks according to the “Rack and Bakeware Positions” section. It is not necessary to wait for the oven to preheat before putting food in, unless recommended in the recipe.

## Convection Broil (on some models)

During convection broiling, the broil element will cycle on and off in intervals to maintain oven temperature, while the fan circulates the hot air.

The temperature is preset at 550°F (288°C), but can be changed to a different temperature. Cooking times will vary depending on the rack position and temperature and may need to be adjusted.

If the oven door is opened during convection broiling, fan turns off immediately when the door is opened and turns on again immediately when the door is closed. Broil elements will turn off approximately 30 seconds after the door is opened. They will turn on again approximately 30 seconds after the door is closed.

**NOTE:** It is normal for the convection fan to run during non-convection cycles as well as during preheat.

### To Convection Broil

Allow the oven to preheat for 5 minutes. Position food on the unheated grid on the broiler pan, and then place it in the center of the oven rack with the longest side parallel to the door.

## Proofing Bread

Proofing bread prepares dough for baking by activating the yeast. Proofing twice is recommended unless the recipe directs otherwise.

### To Proof

Before first proofing, place dough in a lightly greased bowl and cover loosely with waxed paper or plastic wrap coated with shortening. Place on rack guide 2. See “Rack and Bakeware Positions” for diagram. Close door.

1. Touch Upper or Lower PROOF. Display will show 100°F (38°C).

2. Touch START.

Let dough rise until nearly doubled in size, and then check at 20 to 25 minutes. Proofing time may vary depending on dough type and quantity.

3. Touch CANCEL for the selected oven when finished proofing.

Before second proofing, shape dough, place in baking pan(s) and cover loosely. Follow same placement, and control steps above.

Before baking, remove waxed paper or plastic wrap.

## Temperature Probe (single, upper and, on some models, lower oven)

The temperature probe accurately measures the internal temperature of meat, poultry and casseroles with liquid and should be used in determining the doneness of meat and poultry. The temperature probe should only be used with Bake, Convect Bake or Convect Roast.

Always unplug and remove the temperature probe from the oven when removing food.

### To Use

Before using, insert the probe into the food item. (For meats, the probe tip should be located in the center of the thickest part of the meat and not into the fat or touching a bone). Place food in oven and connect the temperature probe to the jack. Keep probe as far away from heat source as possible. Close oven door.

**NOTE:** The temperature probe must be inserted into the food item before the mode is selected.

1. Touch the number keys to enter a probe temperature. The probe temperature is the desired internal temperature of the food when it is done. The temperature can be set between 110°F and 200°F (43°C and 93°C).

2. Touch Upper or Lower BAKE, CONVECT BAKE or CONVECT ROAST.

Touch number keys to enter an oven temperature other than the one displayed. The oven temperature is the temperature given in the recipe.

3. Touch START.

The set oven temperature will appear on the oven display throughout cooking.

“Lo<sup>o</sup>” will appear as the probe temperature until the internal temperature of the food reaches 45°F (7°C). Then the display will show the temperature increasing.

When the set probe temperature is reached, the oven will shut off automatically and “Cooking Complete” will appear on the oven display.

If enabled, end-of-cycle tones will sound, then reminder tones will sound every minute.

4. Touch CANCEL for the selected oven, or open the oven door to clear the display and/or stop reminder tones.

5. Always unplug and remove the temperature probe from the oven when removing food. The probe symbol will remain lit in the display until the probe is unplugged.

### To Change Probe Temperature During a Cooking Cycle

1. Touch a probe enabled cooking mode (Bake, Convect Bake, or Convect Roast).

2. Follow steps 1 through 5 in the “To Use” section.

## Timed Cooking

### **⚠ WARNING**

#### **Food Poisoning Hazard**

**Do not let food sit in oven more than one hour before or after cooking.**

**Doing so can result in food poisoning or sickness.**

Timed Cooking allows the oven(s) to be set to turn on at a certain time of day, cook for a set length of time, and/or shut off automatically. Delay start should not be used for food such as breads and cakes because they may not bake properly.

To Set a Cook Time

1. Select a cooking function.

Touch the number keys to enter a temperature other than the one displayed.

Timed Cooking may also be used with the Bread Proof function, but the temperature is not adjustable.

2. Touch COOK TIME.
3. Touch number keys to enter the length of time to cook.
4. Touch START.

The minute time countdown will appear on the oven display. The start time and stop time are not displayed until the oven is finished preheating.

When the stop time is reached, the oven will shut off automatically, and "cooking complete" will appear on the oven display.

If enabled, end-of-cycle tones will sound, then reminder tones will sound every minute.

5. Touch CANCEL for the selected oven, or open and close the oven door to clear the display and/or stop reminder tones.

To Set a Cook Time and Stop Time

Before setting, make sure the clock is set to the correct time of day. See "Clock" section.

1. Select a cooking function.

Touch the number keys to enter a temperature other than the one displayed.

Timed Cooking may also be used with the Bread Proof function, but the temperature is not adjustable.

2. Touch COOK TIME.
3. Touch number keys to enter the length of time to cook.
4. Touch STOP TIME.
5. Touch the number keys to enter time of day to stop.
6. Touch START.

The start time is automatically calculated and displayed.

"DELAY" and the stop time will also appear on the oven display.

When the start time is reached, the oven will automatically turn on. The minute time countdown will appear on the oven display.

When the stop time is reached, the oven will shut off automatically, and "cooking complete" will appear on the oven display.

If enabled, end-of-cycle tones will sound, then reminder tones will sound every minute.

7. Touch CANCEL for the selected oven, or open and close the oven door to clear the display and/or stop reminder tones.

## OVEN CARE

### High Temp Self-Cleaning Cycle

### **⚠ WARNING**



#### **Burn Hazard**

**Do not touch the oven during the Self-Cleaning cycle.**

**Keep children away from oven during Self-Cleaning cycle.**

**Failure to follow these instructions can result in burns.**

**IMPORTANT:** The health of some birds is extremely sensitive to the fumes given off during the High Temp Self-Cleaning cycle. Exposure to the fumes may result in death to certain birds. Always move birds to another closed and well-ventilated room.

Self-clean the oven before it becomes heavily soiled. Heavy soil results in longer cleaning and more smoke.

Keep the kitchen well-ventilated during the High Temp Self-Cleaning cycle to help get rid of heat, odors, and smoke.

Do not block the oven vent(s) during the High Temp Self-Cleaning cycle. Air must be able to move freely. Depending on your model, see "Oven Vent" or "Oven Vents" section.

Do not clean, rub, damage or move the oven door gasket. The door gasket is essential for a good seal.

Prepare Oven:

- Remove the broiler pan, grid, cookware and bakeware and, on some models, the temperature probe from the oven.
- Remove oven racks to keep them shiny and easy to slide. See "General Cleaning" section for more information.
- Remove any foil from the oven because it may burn or melt, damaging the oven.
- Hand clean inside door edge and the 1½" (3.8 cm) area around the inside oven cavity frame, being certain not to move or bend the gasket. This area does not get hot enough during high temp self-cleaning to remove soil. Do not let water, cleaner, etc., enter slots on door frame. Use a damp cloth to clean this area.
- Wipe out any loose soil to reduce smoke and avoid damage. At high temperatures, foods react with porcelain. Staining, etching, pitting or faint white spots can result. This is normal and will not affect cooking performance.

## How the Cycle Works

**IMPORTANT:** The heating and cooling of porcelain on steel in the oven may result in discoloring, loss of gloss, hairline cracks and popping sounds.

The High Temp Self-Cleaning Cycle uses very high temperatures, burning soil to a powdery ash.

The oven is preset for a 4 hour 30 minute clean cycle; however, the time can be changed. Suggested clean times are 3 hours 30 minutes for light soil and between 4 hours 30 minutes and 5 hours 30 minutes for average to heavy soil.

Use the following chart as a guide to determine the desired cleaning level.

CLEANING LEVEL	TOTAL CLEANING TIME (includes a 30 minute cool down time)
1 (Quick)	3 hours 30 minutes
2 (Reg)	4 hours 30 minutes
3 (Maxi)	5 hours 30 minutes

Once the oven has completely cooled, remove ash with a damp cloth. To avoid breaking the glass, do not apply a cool damp cloth to the inner door glass before it has completely cooled.

The oven lights will not work during the High Temp Self-Cleaning cycle.

On double oven models, only one oven can self-clean at a time. If one oven is high temp self-cleaning, the other oven cannot be set or turned on.

**NOTE:** The oven has a 2 speed cooling fan motor. During self-clean, the fan(s) will operate at its highest speed to increase airflow to better exhaust the hotter air through the oven vent(s). An increase in noise may be noticeable during and after the self-clean cycle until the oven cools.

## To Start High-Temp Self-Cleaning

Before high temp self-cleaning, make sure the door is closed completely or it will not lock and the cycle will not begin.

1. Touch SELF CLEAN (Upper or Lower Oven). Touch SELF CLEAN repeatedly to set a clean time other than 4 hours and 30 minutes. The clean time can be set between 3 hours and 30 minutes and 5 hours and 30 minutes.

Number keys cannot be used to set a clean time.

2. Touch START.

The oven will start locking the door and display "Locking Door." Opening the door at this point will cancel the self-clean cycle. "Door Locked" will display once the door is locked. Then, the start time and stop time will appear in the oven display.

When the cycle is complete and the oven is cool, "self clean complete" will appear on the oven display and "DOOR LOCKED" will disappear. The door will not unlock until the oven is cool.

If enabled, end-of-cycle tones will sound, then reminder tones will sound every minute.

3. Touch CANCEL for the selected oven, or open and close the oven door to clear the oven display and/or stop reminder tones.

## To Delay the Start of High Temp Self-Cleaning

Before starting a delayed High Temp Self-Clean cycle, make sure the clock is set to the correct time of day. See "Clock" section. Also, make sure the door is closed completely or it will not lock and the cycle will not begin.

1. Touch SELF CLEAN (Upper or Lower Oven). Touch SELF CLEAN repeatedly to set a clean time other than 4 hours and 30 minutes. The clean time can be set between 3 hours and 30 minutes and 5 hours and 30 minutes.

Number keys cannot be used to set clean time.

2. Touch STOP TIME.

3. Touch the number keys to enter the time of day to stop.

4. Touch START.

The start time and stop time is automatically calculated and displayed.

The door will not lock until the start time is reached.

When the start time is reached, the oven will automatically turn on. The oven will start locking the door and will display "Locking Door." Opening the door at this point will cancel the self-clean cycle. "Door Locked" will display once the door is locked.

When the cycle is complete and the oven cools, "self clean complete" will appear on the oven display and "DOOR LOCKED" will disappear. The door will not unlock until the oven is cool.

5. Touch CANCEL for the selected oven, or open and close the oven door to clear the oven display.

## To Stop High Temp Self-Cleaning anytime:

Touch Upper or Lower CANCEL. If the oven temperature is too high, the door will remain locked. It will not unlock until the oven cools.

## General Cleaning

**IMPORTANT:** Before cleaning, make sure all controls are off and the oven is cool. Always follow label instructions on cleaning products.

Soap, water and a soft cloth or sponge are suggested first unless otherwise noted.

### STAINLESS STEEL (on some models)

To avoid damage to stainless steel surfaces, do not use soap-filled scouring pads, abrasive cleaners, Cooktop Cleaner, steel-wool pads, gritty washcloths or abrasive paper towels.

#### Cleaning Method:

Rub in direction of grain to avoid damaging.

- affresh® Stainless Steel Cleaner Part Number W10355016 (not included) or affresh® Stainless Steel Cleaning Wipes Part Number W10355049 (not included): See "Accessories" section to order.

---

## OVEN DOOR EXTERIOR

### Cleaning Method:

- Glass cleaner and a soft cloth or sponge:  
Apply glass cleaner to soft cloth or sponge, not directly on panel.
- affresh® Kitchen and Appliance Cleaner Part Number W10355010 (not included):  
See “Assistance or Service” section to order.

---

## OVEN DOOR INTERIOR

### Cleaning Method:

- Self-Cleaning cycle:  
For optimal door cleaning result, wipe away any deposits with a damp sponge before running cycle.

---

## CONTROL PANEL

To avoid damage to the control panel, do not use abrasive cleaners, steel-wool pads, gritty washcloths or abrasive paper towels.

### Cleaning Method:

- Glass cleaner and soft cloth or sponge:  
Apply glass cleaner to soft cloth or sponge, not directly on panel.
- affresh® Kitchen and Appliance Cleaner Part Number W10355010 (not included):  
See “Accessories” section to order.

---

## OVEN CAVITY

Do not use oven cleaners.

Food spills should be cleaned when oven cools. At high temperatures, foods react with porcelain and staining, etching, pitting or faint white spots can result.

### Cleaning Method:

- Self-Cleaning cycle:  
See “High Temp Self-Cleaning Cycle” first.

---

## OVEN RACKS

### Cleaning Method:

- Self-Cleaning cycle:  
See “High Temp Self-Cleaning Cycle” first. Remove racks or they will discolor and become harder to slide. If this happens, a light coating of vegetable oil applied to the rack guides will help them slide.
- Steel-wool pad

---

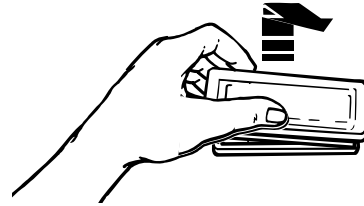
## Oven Lights

The oven lights are 120-volt, 40-watt maximum halogen bulbs. They will come on when the oven door is opened. On double oven models, both upper and lower lights will come on when either door is opened. The oven lights will not work during the Self-Cleaning cycle. When the oven door is closed, touch OVEN LIGHT to turn light on or off.

To Replace:

Before replacing the bulb, make sure the oven is off and cool.

1. Disconnect power.
2. Remove glass light cover by grasping the front edge and pulling away from oven.



3. Remove bulb from socket.
4. Replace bulb, using tissue or wearing cotton gloves to handle bulb. To avoid damage to or decreasing the life of the new bulb, do not touch bulb with bare fingers.
5. Replace bulb cover by snapping back into wall.
6. Reconnect power.

**IMPORTANT:** Do not use lamps rated higher than 40 watts.

---

## Oven Door

### IMPORTANT:

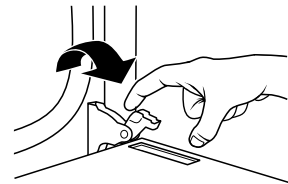
To avoid oven door glass breakage:

- Do not close the oven door if the racks are not fully inserted into the oven cavity or when bakeware extends past the front edge of an oven rack.
- Do not set objects on the glass surface of the oven door.
- Do not hit glass surfaces with bakeware or other objects.
- Do not wipe down glass surfaces until the oven has completely cooled.

For normal oven use, it is not suggested to remove the oven door. However, if removal is necessary, make sure the oven is off and cool. Then, follow these instructions. The oven door is heavy.

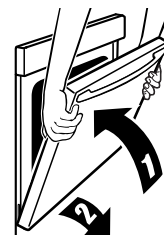
To Remove:

1. Open oven door all the way.
2. Flip up the hinge latch on each side.



3. Close the oven door as far as it will shut.
4. Lift the oven door while holding both sides.

Continue to push the oven door closed and pull it away from the oven door frame.





To Replace:

1. Insert both hanger arms into the door.



2. Open the oven door.  
You should hear a “click” as the door is set into place.
3. Move the hinge levers back to the locked position. Check that the door is free to open and close. If it is not, repeat the removal and installation procedures.

## TROUBLESHOOTING

Try the solutions suggested here first in order to avoid the cost of an unnecessary service call.

Nothing will operate

- **Has a household fuse blown, or has a circuit breaker tripped?**  
Replace the fuse or reset the circuit breaker. If the problem continues, call an electrician.
- **Is the appliance wired properly?**  
See Installation Instructions.

Oven will not operate

- **Is the electronic oven control set correctly?**  
See “Electronic Oven Control” section.
- **Has a delay start been set?**  
See “Timed Cooking” section.
- **Is the Control Lock set?**  
See “Control Lock” section.
- **Is the Sabbath Mode set?**  
See “Sabbath Mode” section.
- **On double oven models, is one oven self-cleaning?**  
When one oven is self-cleaning, the other oven cannot be set or turned on.

Oven temperature too high or too low

- **Does the oven temperature calibration need adjustment?**  
See “Oven Temperature Control” section.

Warm air coming from oven vent

- Warm air coming from the oven vent is normal. During a self-clean cycle, the air stream is increased.
- The cooling fan may operate both during an oven's cycle and after the cycle has ended, causing warm air to exit from the oven vent.

Display shows messages

- **Is the display showing a letter followed by a number?**  
Clear the display. See “Display(s)” section. If a letter followed by a number reappears, call for service. See “Warranty” section.

Fan runs during Bake function

- It is normal for the convection fan and element to operate during Bake mode to enhance performance and heat distribution.

Long preheat times

- Not all cycles require preheating. See cycle instructions for preheat recommendations. Most cycles preheat to 350°F (177°C) in 12 to 17 minutes. Higher temperatures will take more time. Removing unused oven racks prior to preheating can help reduce preheat time.

Self-Cleaning cycle will not operate

- **Is the oven door open?**  
Close the oven door all the way.
- **Has the function been entered?**  
See “Self-Cleaning Cycle” section.
- **On some models, has a delay start Self-Clean cycle been set?**  
See “Self-Cleaning Cycle” section.
- **Has a delay start been set?**  
See “Timed Cooking” section.
- **On double oven models, is one oven self-cleaning?**  
When one oven is self-cleaning, the other oven cannot be set to self-clean.

---

Oven cooking results not what expected

- **Is the proper temperature set?**  
Double-check the recipe in a reliable cookbook.
- **Is the proper oven temperature calibration set?**  
See "Oven Temperature Control" section.
- **Was the oven preheated?**  
See "Baking and Roasting" section.
- **Is the proper bakeware being used?**  
See "Bakeware" section.
- **Are the racks positioned properly?**  
See "Rack and Bakeware Positions" section.
- **Is there proper air circulation around bakeware?**  
See "Rack and Bakeware Positions" section.
- **Is the batter evenly distributed in the pan?**  
Check that batter is level in the pan.

- **Is the proper length of time being used?**  
Adjust cooking time.
- **Has the oven door been opened while cooking?**  
Oven peeking releases oven heat and can result in longer cooking times.
- **Are baked items too brown on the bottom?**  
Move rack to higher position in the oven.
- **Are pie crust edges browning early?**  
Use aluminum foil to cover the edge of the crust and/or reduce baking temperature.

---

Uneven browning of baked items

- See "Rack and Bakeware Positions" section.
- Center the baking pan(s) on the rack and allow a minimum of 2" (5 cm) of clearance around all sides of the pan(s).
- Allow a minimum of 2" (5 cm) of clearance between the oven door and the front edge of baking pans.

## ASSISTANCE OR SERVICE

If you need service

Please refer to the warranty page in this manual.

If you need replacement parts

If you need to order replacement parts, we recommend that you use only factory specified parts. These factory specified parts will fit right and work right because they are made with the same precision used to build every new KITCHENAID® appliance.

To locate factory specified parts in your area, call us or your nearest KitchenAid designated service center.

### In the U.S.A.

---

Call the KitchenAid Customer eXperience Center toll free: **1-800-422-1230** or visit our website at **www.kitchenaid.com**.

Our Consultants Provide Assistance With:

- Scheduling of service. KitchenAid designated service technicians are trained to fulfill the product warranty and provide after-warranty service, anywhere in the United States.
- Features and specifications on our full line of appliances.
- Referrals to local dealers.
- Installation information.
- Use and maintenance procedures.
- Accessory and repair parts sales.
- Specialized customer assistance (Spanish speaking, hearing impaired, limited vision, etc.).

For Further Assistance

If you need further assistance, you can write to KitchenAid with any questions or concerns at:

KitchenAid Brand Home Appliances  
Customer eXperience Center  
553 Benson Road  
Benton Harbor, MI 49022-2692

Please include a daytime phone number in your correspondence.

### In Canada

---

Call the Whirlpool Canada LP Customer eXperience Centre toll free: **1-800-807-6777** or visit our website at **www.kitchenaid.ca**.

Our Consultants Provide Assistance With:

- Scheduling of service. KitchenAid appliances designated service technicians are trained to fulfill the product warranty and provide after-warranty service, anywhere in Canada.
- Features and specifications on our full line of appliances.
- Referrals to local dealers.
- Use and maintenance procedures.
- Accessory and repair parts sales.

For Further Assistance

If you need further assistance, you can write to Whirlpool Canada LP with any questions or concerns at:

Customer eXperience Centre  
Whirlpool Canada LP  
200 - 6750 Century Ave.  
Mississauga, Ontario L5N 0B7

Please include a daytime phone number in your correspondence.

# ACCESSORIES

## Accessories U.S.A.

To order accessories, call the KitchenAid Customer eXperience Center toll free at **1-800-422-1230** and follow the menu prompts. Or visit our website at **www.kitchenaid.com**. Portable appliances, bakeware, cookware, gadgets and textiles are also available.

affresh® Stainless Steel Cleaner  
(stainless steel models)

Order Part Number W10355016

affresh® Stainless Steel Cleaning Wipes  
(stainless steel models)

Order Part Number W10355049

affresh® Kitchen and Appliance Cleaner  
Order Part Number W10355010

Porcelain Broiler Pan and Grid  
Order Part Number 4396923

Premium Broiler Pan and Roasting Rack  
Order Part Number W10123240

## In Canada

Call the Whirlpool Canada LP Customer eXperience Centre toll free: **1-800-807-6777** or visit our website at **www.kitchenaid.ca**.

Our Consultants Provide Assistance With:

- Scheduling of Service. KitchenAid appliances designated service technicians are trained to fulfill the product warranty and provide after-warranty service, anywhere in Canada.
- Features and specifications on our full line of appliances.
- Referrals to local dealers.
- Use and maintenance procedures.
- Accessory and repair parts sales.

For Further Assistance

If you need further assistance, you can write to Whirlpool Canada LP with any questions or concerns at:

Customer eXperience Centre  
Whirlpool Canada LP  
200 - 6750 Century Ave.  
Mississauga, Ontario L5N 0B7

Please include a daytime phone number in your correspondence.

# KITCHENAID® BUILT-IN OVEN & MICROWAVE LIMITED WARRANTY

ATTACH YOUR RECEIPT HERE. PROOF OF PURCHASE IS REQUIRED TO OBTAIN WARRANTY SERVICE.

Please have the following information available when you call the Customer eXperience Center:

- Name, address and telephone number
- Model number and serial number
- A clear, detailed description of the problem
- Proof of purchase including dealer or retailer name and address

## IF YOU NEED SERVICE:

1. Before contacting us to arrange service, please determine whether your product requires repair. Some questions can be addressed without service. Please take a few minutes to review the Troubleshooting or Problem Solver section of the Use and Care Guide, scan the QR code on the right to access additional resources, or visit <http://kitchenaid.custhelp.com>.
2. All warranty service is provided exclusively by our authorized KitchenAid Service Providers. In the U.S. and Canada, direct all requests for warranty service to:

**KitchenAid Customer eXperience Center**

**In the U.S.A., call 1-800-422-1230. In Canada, call 1-800-807-6777.**

If outside the 50 United States or Canada, contact your authorized KitchenAid dealer to determine whether another warranty applies.



<http://kitchenaid.custhelp.com>

## TEN YEAR LIMITED WARRANTY

### WHAT IS COVERED

#### FIRST YEAR LIMITED WARRANTY (PARTS & LABOR)

For one year from the date of purchase, when this major appliance is installed, operated and maintained according to instructions attached or furnished with the product, KitchenAid brand of Whirlpool Corporation or Whirlpool Canada LP (hereafter "KitchenAid") will pay for factory specified replacement parts and repair labor to correct defects in materials and workmanship that existed when this major appliance was purchased, or at its sole discretion replace the product. In the event of product replacement, your product will be warranted for the remaining term of the original unit's warranty period.

#### SECOND THROUGH FIFTH YEAR LIMITED WARRANTY (CERTAIN COMPONENTS PARTS ONLY – LABOR NOT INCLUDED)

In the second through fifth years from the date of original purchase, when this major appliance is installed, operated and maintained according to instructions attached to or furnished with the product, KitchenAid will pay for factory specified parts for the following components to correct non-cosmetic defects in materials or workmanship in these parts that prevent function of this major appliance and that existed when this major appliance was purchased. This is a limited 5-year warranty on the below named parts only and does not include repair labor.

- Electric element
- Solid state touch control system parts

#### SECOND THROUGH TENTH YEAR LIMITED WARRANTY (MICROWAVE OVENS ONLY)

In the second through tenth years from the date of original purchase, when this major appliance is installed, operated and maintained according to instructions attached to or furnished with the product, KitchenAid will pay for factory specified parts for the stainless steel oven cavity/inner door if the part rusts through due to defects in materials or workmanship.

**YOUR SOLE AND EXCLUSIVE REMEDY UNDER THIS LIMITED WARRANTY SHALL BE PRODUCT REPAIR AS PROVIDED HEREIN.** Service must be provided by a KitchenAid designated service company. This limited warranty is valid only in the United States or Canada and applies only when the major appliance is used in the country in which it was purchased. This limited warranty is effective from the date of original consumer purchase. Proof of original purchase date is required to obtain service under this limited warranty.

### WHAT IS NOT COVERED

1. Commercial, non-residential or multiple-family use, or use inconsistent with published user, operator or installation instructions.
2. In-home Instruction on how to use your product.
3. Service to correct improper product maintenance or installation, installation not in accordance with electrical or plumbing codes or correction of household electrical or plumbing (i.e. house wiring, fuses or water inlet hoses).
4. Consumable parts (i.e. light bulbs, batteries, air or water filters, etc.).
5. Defects or damage caused by the use of non-genuine KitchenAid parts or accessories.
6. Conversion of your product from natural gas or L.P. gas.
7. Damage from accident, misuse, abuse, fire, floods, acts of God or use with products not approved by KitchenAid.
8. Repairs to parts or systems to correct product damage or defects caused by unauthorized service, alteration or modification of the appliance.
9. Cosmetic damage including scratches, dents, chips, and other damage to appliance finishes unless such damage results from defects in materials and workmanship and is reported to KitchenAid within 30 days.
10. Discoloration, rust or oxidation of surfaces resulting from caustic or corrosive environments including but not limited to high salt concentrations, high moisture or humidity or exposure to chemicals.
11. Food loss due to product failure.
12. Pick-up or delivery. This product is intended for in-home repair.
13. Travel or transportation expenses for service in remote locations where an authorized KitchenAid servicer is not available.
14. Removal or reinstallation of inaccessible appliances or built-in fixtures (i.e. trim, decorative panels, flooring, cabinetry, islands, countertops, drywall, etc.) that interfere with servicing, removal or replacement of the product.
15. Service or parts for appliances with original model/serial numbers removed, altered or not easily determined.

**The cost of repair or replacement under these excluded circumstances shall be borne by the customer.**

### DISCLAIMER OF IMPLIED WARRANTIES

IMPLIED WARRANTIES, INCLUDING ANY IMPLIED WARRANTY OF MERCHANTABILITY OR IMPLIED WARRANTY OF FITNESS FOR A PARTICULAR PURPOSE, ARE LIMITED TO ONE YEAR OR THE SHORTEST PERIOD ALLOWED BY LAW. Some states and provinces do not allow limitations on the duration of implied warranties of merchantability or fitness, so this limitation may not apply to you. This warranty gives you specific legal rights, and you also may have other rights that vary from state to state or province to province.

### DISCLAIMER OF REPRESENTATIONS OUTSIDE OF WARRANTY

KitchenAid makes no representations about the quality, durability, or need for service or repair of this major appliance other than the representations contained in this warranty. If you want a longer or more comprehensive warranty than the limited warranty that comes with this major appliance, you should ask KitchenAid or your retailer about buying an extended warranty.

### LIMITATION OF REMEDIES; EXCLUSION OF INCIDENTAL AND CONSEQUENTIAL DAMAGES

**YOUR SOLE AND EXCLUSIVE REMEDY UNDER THIS LIMITED WARRANTY SHALL BE PRODUCT REPAIR AS PROVIDED HEREIN. KITCHENAID SHALL NOT BE LIABLE FOR INCIDENTAL OR CONSEQUENTIAL DAMAGES.** Some states and provinces do not allow the exclusion or limitation of incidental or consequential damages, so these limitations and exclusions may not apply to you. This warranty gives you specific legal rights, and you also may have other rights that vary from state to state or province to province.

Nous vous REMERCIONS d'avoir acheté ce produit de haute qualité. Enregistrer le four encastré sur [www.kitchenaid.com](http://www.kitchenaid.com). Au Canada, enregistrer le four encastré sur [www.kitchenaid.ca](http://www.kitchenaid.ca).

Pour référence ultérieure, consignez par écrit les numéros de modèle et de série de votre produit. Ces numéros se trouvent sur l'étiquette située sur le bord inférieur du tableau de commande, côté droit.

Numéro de modèle..... Numéro de série.....

Para una versión de estas instrucciones en español, visite [www.kitchenaid.com](http://www.kitchenaid.com).

Deberá tener a mano el número de modelo y de serie, que están ubicados en el marco del horno, detrás del lado derecho superior de la puerta del horno.

### Table des matières

<b>SÉCURITÉ DU FOUR ENCASTRÉ .....</b>	<b>22</b>	Évent(s) du four.....	32
<b>PIÈCES ET CARACTÉRISTIQUES .....</b>	<b>23</b>	Préchauffage et température du four.....	33
<b>GUIDE DES CARACTÉRISTIQUES .....</b>	<b>24</b>	Cuisson au four et rôtissage.....	33
Commandes électroniques du four .....	27	Cuisson au gril.....	33
Affichage.....	27	Convection.....	33
Start (mise en marche) .....	27	Cuisson au four par convection (sur certains modèles) .....	34
Annulation du four inférieur, Annulation du four supérieur et Annulation .....	27	Rôtissage par convection.....	34
Signaux sonores.....	27	Cuisson au gril par convection.....	34
Fahrenheit et Celsius.....	28	Levée du pain .....	34
Outils.....	28	Sonde thermométrique.....	34
Horloge .....	28	Cuisson minutée .....	35
Minuterie de cuisine .....	28	<b>ENTRETIEN DU FOUR .....</b>	<b>36</b>
Verrouillage des commandes.....	28	Programme d'autonettoyage à haute température .....	36
Commande de la température du four .....	28	Nettoyage général .....	37
Mode Sabbat.....	29	Lampes du four.....	38
<b>UTILISATION DU FOUR.....</b>	<b>30</b>	Porte du four .....	38
Papier d'aluminium.....	30	<b>DÉPANNAGE.....</b>	<b>39</b>
Grilles du four .....	30	<b>ASSISTANCE OU SERVICE .....</b>	<b>40</b>
Positionnement des grilles et des ustensiles de cuisson au four .....	30	Aux États-Unis.....	40
Grille déployante SatinGlide™ .....	31	Au Canada .....	40
Ustensiles de cuisson au four .....	32	<b>ACCESSOIRES.....</b>	<b>41</b>
Thermomètre à viande .....	32	Au Canada .....	41
		<b>GARANTIE .....</b>	<b>42</b>

# SÉCURITÉ DU FOUR ENCASTRÉ

## Votre sécurité et celle des autres est très importante.

Nous donnons de nombreux messages de sécurité importants dans ce manuel et sur votre appareil ménager. Assurez-vous de toujours lire tous les messages de sécurité et de vous y conformer.



Voici le symbole d'alerte de sécurité.

Ce symbole d'alerte de sécurité vous signale les dangers potentiels de décès et de blessures graves à vous et à d'autres.

Tous les messages de sécurité suivront le symbole d'alerte de sécurité et le mot "DANGER" ou "AVERTISSEMENT". Ces mots signifient :

**⚠ DANGER**

**Risque possible de décès ou de blessure grave si vous ne suivez pas immédiatement les instructions.**

**⚠ AVERTISSEMENT**

**Risque possible de décès ou de blessure grave si vous ne suivez pas les instructions.**

Tous les messages de sécurité vous diront quel est le danger potentiel et vous disent comment réduire le risque de blessure et ce qui peut se produire en cas de non-respect des instructions.

## IMPORTANTES INSTRUCTIONS DE SÉCURITÉ

**AVERTISSEMENT :** Pour réduire le risque d'incendie, de choc électrique, de blessures corporelles ou de dommages lors de l'utilisation du four, il convient d'observer certaines précautions élémentaires dont les suivantes :

- Installation appropriée – S'assurer que le four est convenablement installé et relié à la terre par un technicien qualifié.
- Ne jamais utiliser le four pour chauffer ou réchauffer une pièce.
- Ne pas laisser les enfants seuls – Les enfants ne doivent pas être laissés seuls ou sans surveillance dans la pièce où le four est en service. Ne jamais laisser les enfants s'asseoir ou se tenir sur une partie quelconque du four.
- Porter des vêtements appropriés – Les vêtements amples ou détachés ne doivent jamais être portés pendant l'utilisation du four.
- Entretien par l'utilisateur – Ne pas réparer ni remplacer toute pièce du four si ce n'est pas spécifiquement recommandé dans le manuel. Toute autre opération d'entretien ou de réparation doit être confiée à un technicien qualifié.
- Ne pas utiliser d'eau pour éteindre un feu de graisse – Étouffer le feu ou les flammes ou utiliser des extincteurs polyvalents à produits chimiques secs ou un extincteur à mousse.
- Utiliser seulement des mitaines sèches de four – Des mitaines de four mouillées ou humides sur des surfaces chaudes peuvent provoquer des brûlures provenant de la vapeur. Ne pas laisser les mitaines de four toucher les éléments chauffants. Ne pas utiliser une serviette ou un tissu épais.
- Exercer une grande prudence lors de l'ouverture de la porte. Laisser l'air chaud ou la vapeur s'échapper avant d'enlever ou de remplacer un plat.
- Ne pas faire chauffer des contenants fermés – L'accumulation de pression peut causer une explosion du contenant et des blessures.

- Ne jamais obstruer les ouvertures des événements.
- Placement des grilles du four – Toujours placer les grilles du four à l'endroit désiré, lorsque le four est froid. Si la grille doit être déplacée lorsque le four est chaud, ne pas laisser des mitaines de four toucher l'élément chauffant dans le four.
- Remisage dans le four – Des matériaux inflammables ne doivent pas être remisés dans un four.
- NE PAS TOUCHER LES ÉLÉMENTS CHAUFFANTS OU LES SURFACES INTÉRIEURES DU FOUR – les éléments chauffants peuvent être chauds même s'ils ont une teinte foncée. Les surfaces intérieures de four deviennent assez chaudes pour causer des brûlures. Pendant et après l'utilisation, ne pas toucher ou laisser des vêtements ou autres matériaux inflammables venir en contact avec les éléments chauds ou les surfaces intérieures chaudes du four avant qu'ils aient eu assez de temps pour refroidir. D'autres surfaces du four peuvent devenir assez chaudes pour causer des brûlures. Ces surfaces comprennent les ouvertures de l'évent du four et la surface près de ces ouvertures, les portes du four et les hublots des portes du four.

### Fours autonettoyants :

- Ne pas nettoyer le joint de la porte – Le joint de la porte est essentiel pour l'étanchéité. Veiller à ne pas froter, endommager ou déplacer le joint.
- Ne pas utiliser les produits commerciaux de nettoyage de four – On ne doit pas utiliser un produit commercial de nettoyage de four ou un enduit de protection des surfaces internes du four quel qu'en soit le type, sur les surfaces du four ou les surfaces voisines.
- Nettoyer uniquement les pièces indiquées dans le manuel.
- Avant d'exécuter le programme d'autonettoyage du four, enlever la lèchefrite et sa grille et les autres ustensiles.

**CONSERVEZ CES INSTRUCTIONS**

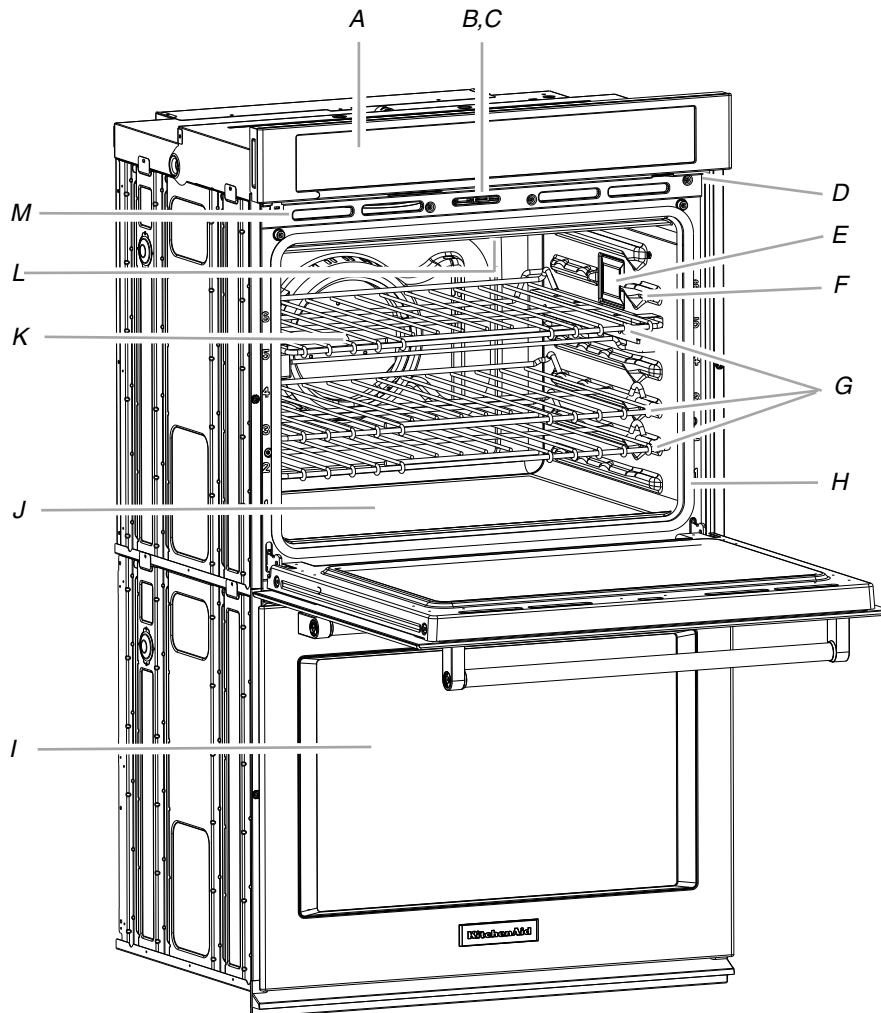
Avertissements de la proposition 65 de l'État de Californie :

AVERTISSEMENT : Ce produit contient au moins un produit chimique connu par l'État de Californie pour être à l'origine de cancers.

AVERTISSEMENT : Ce produit contient au moins un produit chimique connu par l'État de Californie pour être à l'origine de malformations et autres déficiences de naissance.

## PIÈCES ET CARACTÉRISTIQUES

Ce manuel couvre différents modèles. Le four que vous avez acheté peut comporter tous les articles énumérés ou seulement certains d'entre eux. L'emplacement et l'apparence des caractéristiques illustrées peuvent ne pas correspondre à ceux de votre modèle.



- A. Commande électronique du four
- B. Interrupteur automatique de la lampe du four
- C. Loquet de verrouillage de la porte du four
- D. Plaque signalétique (située sur le bord inférieur droit du tableau de commande)
- E. Lampes du four
- F. Prise de la sonde thermométrique (four avec élément de convection et ventilateur uniquement)

- G. Grilles de four (grilles déployantes disponibles sur certains modèles uniquement)
- H. Joint d'étanchéité
- I. Four inférieur (sur les modèles à double four)
- J. Élément de cuisson au four CleanBake™ (dissimulé sous le panneau du plancher)
- K. Ventilateur et élément de convection (dans le panneau arrière)
- L. Éléments de cuisson au gril (non illustrés)
- M. Événement du four

**Pièces et caractéristiques non illustrées**  
Sonde thermométrique

# GUIDE DES CARACTÉRISTIQUES

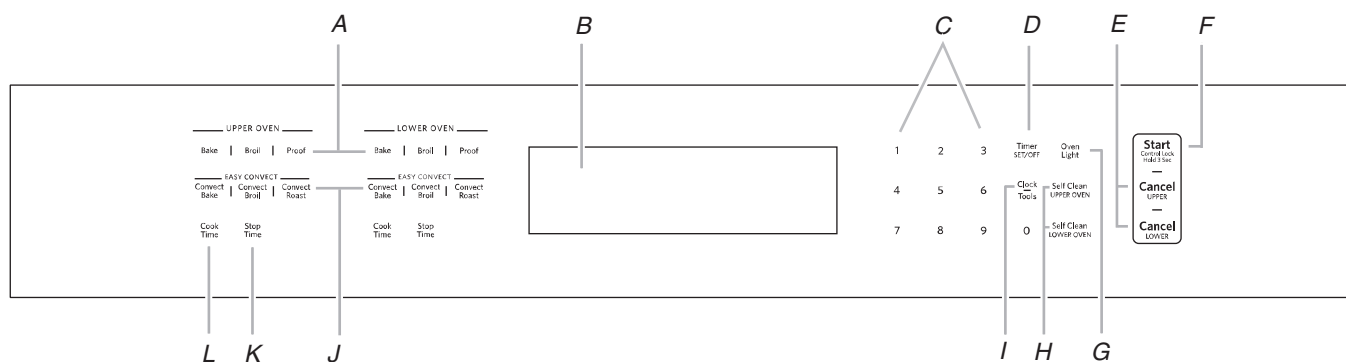
Ce manuel concerne plusieurs modèles. Le modèle que vous avez peut comporter toutes les caractéristiques énumérées ou seulement certaines d'entre elles. Se reporter à ce manuel ou à la section Foire Aux Questions (FAQ) de notre site Web sur [www.kitchenaid.com](http://www.kitchenaid.com) pour des instructions plus détaillées. Au Canada, consulter la section Service à la clientèle sur [www.kitchenaid.ca](http://www.kitchenaid.ca).

## ⚠ AVERTISSEMENT

### Risque d'empoisonnement alimentaire

**Ne pas laisser des aliments dans un four plus d'une heure avant ou après la cuisson.**

**Le non-respect de cette instruction peut causer un empoisonnement alimentaire ou une maladie.**



A. Réglages du four

B. Affichage du four

C. Touches numériques

D. Minuterie de cuisine

E. Annulation du four supérieur et inférieur (modèles à double four)

Annulation (modèles à four simple)

F. Mise en marche/verrouillage des commandes

G. Lampe du four

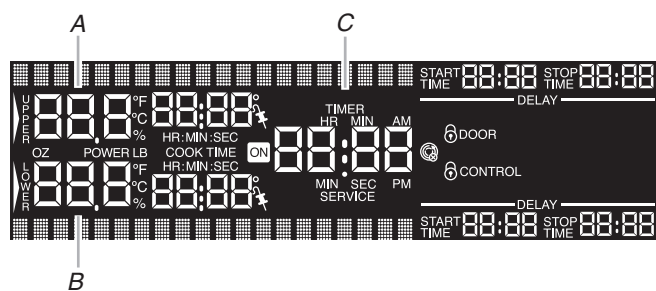
H. Autonettoyage

I. Horloge/Outils

J. Réglages de cuisson par convection

K. Heure d'arrêt

L. Durée de cuisson

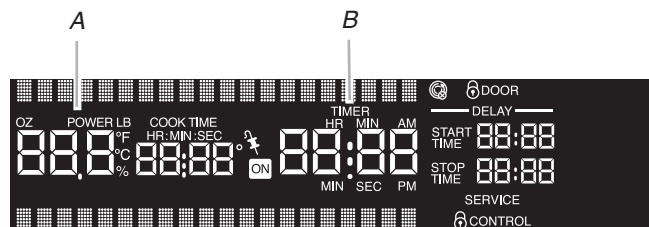


### Affichage de four double

A. Affichage de la cavité du four supérieur

B. Affichage de la cavité du four inférieur

C. Affichage de l'heure/minuterie



### Affichage de four simple

A. Affichage de la cavité du four

B. Affichage de l'heure/minuterie

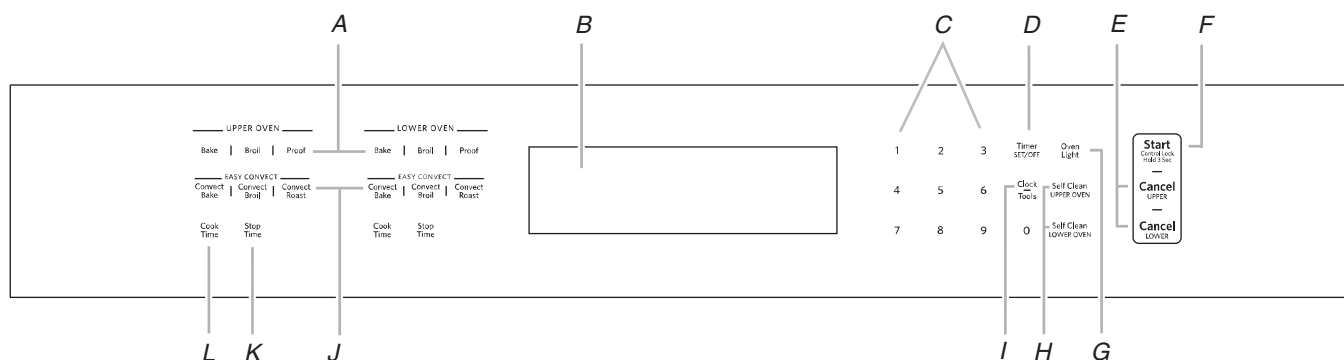
TOUCHE	FONCTION	INSTRUCTIONS
<b>CLOCK/TOOLS (horloge/outils)</b>	<b>Horloge</b>	L'horloge utilise un programme de 12 heures. Voir la section "Commandes électroniques du four". <ol style="list-style-type: none"> <li>Appuyer sur CLOCK/TOOLS (horloge/outils).</li> <li>Appuyer sur la touche "1" pour sélectionner l'horloge. Appuyer ensuite sur les touches numériques pour régler l'heure.</li> <li>Appuyer sur START (mise en marche).</li> </ol>
<b>CLOCK/TOOLS (horloge/outils)</b>	<b>Réglages</b>	Permet de personnaliser les signaux sonores et le fonctionnement du four selon les préférences de l'utilisateur. Voir la section "Commandes électroniques du four".



TOUCHE	FONCTION	INSTRUCTIONS
<b>OVEN LIGHT</b> (lampe du four)	<b>Lampe de la cavité du four</b>	L'éclairage du four est commandé par une touche située sur le tableau de commande du four. Alors que la porte du four est fermée, appuyer sur OVEN LIGHT (lampe du four) pour allumer ou éteindre la lampe. La lampe du four s'allume automatiquement à l'ouverture de la porte.
<b>TIMER SET/OFF</b> (réglage/arrêt de la minuterie)	<b>Minuterie du four</b>	La minuterie peut être réglée en heures ou en minutes jusqu'à concurrence de 23 heures et 59 minutes. <ol style="list-style-type: none"> <li>Appuyer sur TIMER SET/OFF (réglage/arrêt de la minuterie). Appuyer de nouveau sur TIMER SET/OFF (réglage/arrêt de la minuterie) pour passer des MIN/SEC aux HR/MIN et sur OFF (arrêt). Si aucune action n'est effectuée, le tableau de commande continue d'attendre l'entrée d'une durée de cuisson.</li> <li>Appuyer sur les touches numériques pour régler la durée.</li> <li>Appuyer sur TIMER SET/OFF (réglage/arrêt de la minuterie). Si l'on n'appuie pas sur la touche, le tableau de commande continue d'attendre qu'on appuie sur SET/START (réglage/mise en marche). Lorsque la durée de cuisson programmée est écoulée, 4 signaux sonores retentissent continuellement jusqu'à ce qu'on appuie sur la touche Timer Set/Off (réglage/arrêt de la minuterie).</li> <li>Appuyer sur TIMER SET/OFF (réglage/arrêt de la minuterie) à tout moment pour annuler la minuterie de cuisine ou arrêter les signaux de rappel. Si on appuie sur CANCEL (annulation), le four correspondant s'éteint. Toutefois, la minuterie de cuisine ne peut être éteinte que si l'on appuie sur TIMER SET/OFF (réglage/arrêt de la minuterie).</li> </ol>
<b>START</b> (mise en marche)	<b>Démarrage de la cuisson</b>	La touche Start (mise en marche) met en marche n'importe quelle fonction du four. Si, après avoir appuyé sur une touche, on n'appuie pas sur Start dans les 5 minutes qui suivent, la fonction est annulée et l'heure s'affiche.
<b>CANCEL UPPER</b> (annulation four supérieur) <b>CANCEL LOWER</b> (annulation four inférieur).	<b>Fonction de la cuisinière</b>	Les touches Cancel (annulation) désactivent toutes les fonctions du four correspondant à l'exception de l'horloge et de la minuterie.
<b>BAKE</b> (cuisson au four) (four supérieur et inférieur)	<b>Cuisson au four et rôtissage</b>	<ol style="list-style-type: none"> <li>Appuyer sur BAKE (cuisson au four) (four supérieur ou inférieur). Appuyer sur les touches numériques pour entrer une température autre que 350°F (177°C). La température de cuisson au four peut être réglée entre 145°F et 550°F (63°C et 288°C).</li> <li>Appuyer sur START (mise en marche). "Inf" apparaît sur l'affichage du four si la température réelle du four est inférieure à 100°F (38°C) et si "Préchauffage" apparaît dans la zone inférieure de l'affichage. Lorsque la température réelle du four atteint 100°F (38°C), l'affichage du four commence à indiquer la température alors qu'elle augmente. Lorsque la température réglée est atteinte, un signal sonore se fait entendre.</li> <li>Appuyer sur la touche CANCEL (annulation) du four sélectionné une fois la cuisson terminée.</li> </ol>
<b>BROIL</b> (cuisson au gril)	<b>Cuisson au gril</b>	Fermer la porte. <ol style="list-style-type: none"> <li>Appuyer sur BROIL (cuisson au gril) (four supérieur ou inférieur). Appuyer sur les touches numériques pour entrer une température autre que 550°F (288°C). La température de cuisson au gril peut être réglée entre 450°F et 550°F (232°C et 288°C).</li> <li>Appuyer sur START (mise en marche). Un signal sonore long est émis. La température du four réglée apparaît sur l'affichage du four jusqu'à ce que le four soit éteint.</li> <li>Appuyer sur la touche CANCEL (annulation) du four sélectionné une fois la cuisson terminée.</li> </ol>

TOUCHE	FONCTION	INSTRUCTIONS
<b>EASY CONVECT BAKE</b> (cuisson au four par convection facile)	<b>Cuisson au four par convection</b>	<p>Avant la cuisson au four par convection, placer les grilles tel qu'indiqué à la section "Positionnement des grilles et des ustensiles de cuisson".</p> <ol style="list-style-type: none"> <li>1. Appuyer sur CONVECT BAKE (cuisson au four par convection) (four supérieur ou inférieur).</li> <li>2. Appuyer sur les touches numériques pour choisir ou non de convertir la recette.</li> <li>3. Si on sélectionne "1 : Oui", "c.four-convect facile" apparaît sur l'affichage. Appuyer ensuite sur les touches numériques pour entrer une température. La température de cuisson au four par convection peut être réglée entre 170°F et 550°F (77°C et 288°C). La température du four est automatiquement réduite de 25°F (14°C) pour la cuisson au four EasyConvect™, et la température modifiée apparaît sur l'affichage mais la durée de cuisson n'est pas modifiée. Appuyer ensuite sur les touches numériques pour entrer une durée de cuisson. <b>REMARQUE :</b> Si on entre une température comprise entre 170°F (77°C) et 194°F (90°C), l'affichage indique uniquement 170°F (77°C) et non pas la réduction de température.</li> <li>4. Si on sélectionne "2 : Non", la cuisson au four par convection se poursuit sans conversion. Appuyer sur la touche numérique "1" pour utiliser la fonction de préchauffage rapide ou sur "2" pour poursuivre la cuisson sans préchauffage rapide. Appuyer ensuite sur les touches numériques pour entrer une température. <b>REMARQUE :</b> La fonction de cuisson au four avec préchauffage rapide convient uniquement à une cuisson au four sur 1 grille.</li> <li>5. Appuyer sur START (mise en marche). "Inf°" apparaît sur l'affichage du four si la température réelle du four est inférieure à 100°F (38°C) et si "Préchauffage" apparaît dans la zone inférieure de l'affichage. Lorsque la température réelle du four atteint 100°F (38°C), l'affichage du four indique les augmentations de température. Lorsque la température réglée est atteinte, une sonnerie se fait entendre.</li> <li>6. Appuyer sur la touche CANCEL (annulation) du four sélectionné une fois la cuisson terminée.</li> </ol>
<b>EASY CONVECT ROAST</b> (rôtissage par convection facile)	<b>Rôtissage par convection</b>	<ol style="list-style-type: none"> <li>1. Appuyer sur CONVECT ROAST (rôtissage par convection) (four supérieur ou inférieur).</li> <li>2. Appuyer sur les touches numériques pour choisir ou non de convertir la recette.</li> <li>3. Si on sélectionne "1 : Oui", "rôtissage convect facile" s'affiche. Appuyer sur les touches numériques pour entrer une température. La température de rôtissage par convection peut être réglée entre 170°F et 550°F (77°C et 288°C). Appuyer sur les touches numériques pour entrer une durée de cuisson. La durée de cuisson est automatiquement ajustée à 80 % de la durée entrée et la durée de cuisson modifiée s'affiche mais la température n'est pas modifiée.</li> <li>4. Si on sélectionne "2 : Non", le rôtissage par convection se poursuit sans conversion. Appuyer sur les touches numériques pour entrer une température.</li> <li>5. Appuyer sur START (mise en marche). Un signal sonore long est émis. La température du four réglée apparaît sur l'affichage du four jusqu'à ce que le four soit éteint.</li> <li>6. Appuyer sur la touche CANCEL (annulation) du four sélectionné une fois la cuisson terminée.</li> </ol>
<b>CONVECT MODE</b> (mode de convection)	<b>Cuisson au gril par convection</b>	<p>Fermer la porte.</p> <ol style="list-style-type: none"> <li>1. Appuyer sur CONVECT BROIL (cuisson au gril par convection) (four supérieur ou inférieur). Appuyer sur les touches numériques pour entrer une température autre que 550°F (288°C). La température de cuisson au gril par convection peut être réglée entre 450°F et 550°F (232°C et 288°C).</li> <li>2. Appuyer sur START (mise en marche). La température réglée du four apparaît sur l'affichage du four jusqu'à ce que le four soit éteint.</li> <li>3. Appuyer sur la touche CANCEL (annulation) du four sélectionné une fois la cuisson terminée.</li> </ol>
<b>PROOF</b> (levée)	<b>Levée du pain</b>	<ol style="list-style-type: none"> <li>1. Appuyer sur PROOF (levée du pain) (four supérieur ou inférieur). L'affichage indiquera 100°F (38°C).</li> <li>2. Appuyer sur START (mise en marche). Laisser la pâte lever jusqu'à ce qu'elle ait presque doublé de volume, en vérifiant au bout de 20 à 25 minutes. La durée de levée du pain peut varier en fonction du type de pâte et de la quantité.</li> <li>3. Appuyer sur la touche CANCEL (annulation) du four sélectionné une fois la cuisson terminée.</li> </ol> <p>Consulter la section "Levée du pain" pour plus d'informations.</p>
<b>STOP TIME</b> (heure d'arrêt)	<b>Mise en marche différée</b>	<p>La touche Stop Time (heure d'arrêt) sert à entrer l'heure de mise en marche pour un four équipé de mise en marche différée. La touche Stop Time (heure d'arrêt) ne doit pas être utilisée pour les aliments tels que pains et gâteaux, car ils risquent de ne pas bien cuire. Pour régler une durée de cuisson ou une heure d'arrêt, voir la section "Cuisson minutée".</p>
<b>COOK TIME</b> (durée de cuisson)	<b>Cuisson minutée</b>	<p>Cook Time (durée de cuisson) permet au four de réaliser une cuisson pendant une durée pré-réglée et/ou de s'éteindre automatiquement. Pour régler une durée de cuisson ou une heure d'arrêt, voir la section "Cuisson minutée".</p>

# Commandes électroniques du four



A. Réglages du four  
B. Affichage du four  
C. Touches numériques  
D. Minuterie de cuisine

E. Annulation du four supérieur et inférieur (modèles à double four)  
Annulation (modèles à four simple)  
F. Mise en marche/verrouillage des commandes  
G. Lampe du four  
H. Autonettoyage

I. Horloge/Outils  
J. Réglages de cuisson par convection  
K. Heure d'arrêt  
L. Durée de cuisson

## Affichage

Lors de la mise sous tension initiale du four, "12:00" clignote sur l'affichage de la minuterie et "Horl-Entr Heure" apparaît sur l'affichage. Entrer l'heure en appuyant sur les touches numériques. Appuyer sur START (mise en marche) pour l'activer. Pour permettre le fonctionnement du four sans régler l'heure, appuyer sur START (mise en marche) ou CANCEL (annulation).

### Affichage du four

Lorsqu'on utilise le(s) four(s), l'affichage indique la température du four, la(les) source(s) de chaleur et l'heure de début de cuisson. Sur les modèles de four double, cet affichage indiquera aussi lequel des deux fours est en cours de réglage. Le symbole de la cavité du four supérieur représente le four supérieur; le symbole de la cavité du four inférieur représente le four inférieur.

En outre, pendant la cuisson minutée, l'affichage de ce four indique aussi un compte à rebours et l'heure de fin de cuisson (si programmée).

### Affichage de l'heure/minuterie

Lorsque le(s) four(s) n'est/ne sont pas utilisé(s), cet affichage indique l'heure ou le compte à rebours de la minuterie.

## Start (mise en marche)

La touche START (mise en marche) met en marche toutes les fonctions du four excepté le mode Sabbat. Si on n'appuie pas sur la touche Start (mise en marche) 5 secondes maximum après avoir appuyé sur une autre touche, "START?" apparaît sur l'affichage à titre de rappel. Si l'on n'appuie pas sur la touche Start 5 minutes maximum après avoir appuyé sur une autre touche, l'affichage du four retourne au mode inactif et la fonction programmée est annulée.

## Annulation du four inférieur, Annulation du four supérieur et Annulation

Les touches Lower Cancel (annulation four inférieur), Upper Cancel (annulation four supérieur) et Cancel (annulation) arrêtent les fonctions des fours respectifs à l'exception de l'horloge, de la minuterie de cuisine et du verrouillage des commandes. Le ou les ventilateur(s) de refroidissement du four peuvent continuer à fonctionner même après l'annulation ou la fin d'une fonction, selon la température du four.

## Signaux sonores

Les signaux sonores avertissent l'utilisateur de divers événements :

### Un bip

- Touche valide
- Saisie d'une fonction

### Une sonnerie

- Programme de préchauffage terminé

### Trois bips

- Touche non valide

### Trois sonneries

- Fin d'un programme de cuisson

### Quatre sonneries

- Lorsque la minuterie est à zéro  
Comprend l'utilisation de la minuterie de cuisine pour des fonctions autres que la cuisson.

### Volume des signaux sonores

Le volume est pré-réglé à faible, mais il peut être changé à élevé.

**Modification :** Appuyer sur TOOLS (outils), puis sur "4" pour alterner entre un réglage de volume élevé ou faible.

---

Tous les signaux sonores

Tous les signaux sonores sont actifs par défaut, mais peuvent être désactivés.

**Désactivation/activation :** Appuyer sur TOOLS (outils), puis sur "3" pour activer/désactiver les signaux sonores.

---

Signaux de fin de programme et de rappel

Les signaux sonores de la minuterie et de fin de programme d'une cuisson minutée sont activés par défaut mais peuvent être désactivés. Si tous les signaux ont été éteints, les signaux sonores de fin de programme et de rappel ne peuvent être allumés seuls.

**Désactivation/activation des signaux sonores :** Appuyer sur TOOLS (outils), puis sur "5" pour activer. Appuyer sur TOOLS (outils), puis sur "5" pour désactiver.

**REMARQUE :** Si l'on désactive ce signal de rappel, le signal sonore de la minuterie de cuisine ne sera pas désactivé pour autant.

## Fahrenheit et Celsius

---

La température est pré-réglée en Fahrenheit, mais elle peut être modifiée et affichée en Celsius.

**Pour modifier :** Appuyer sur TOOLS (outils), puis sur "2" pour alterner entre réglages de température Fahrenheit et Celsius.

Lorsque la température est en mode Fahrenheit, "°F" apparaît après la température du four.

Lorsque la température est en mode Celsius, "°C" apparaît après la température du four.

## Outils

---

La touche de sélection Tools (outils) permet d'accéder à 9 fonctions cachées dans les commandes électroniques du four. Ces fonctions cachées permettent de régler l'horloge, d'alterner entre unités Fahrenheit et Celsius pour la température du four, d'activer ou de désactiver les signaux sonores et les messages, d'ajuster le calibrage du four, de choisir la langue et d'activer le mode de démonstration.

Le mode Sabbat peut également être programmé en utilisant la touche de sélection Tools (outils).

**Utilisation :** Appuyer sur CLOCK/TOOLS (horloge/outils). L'affichage du four fait défiler les différents outils, commençant par "1" et terminant automatiquement à "9". On peut aussi appuyer plusieurs fois sur la touche Outils pour faire défiler manuellement la liste d'outils.

OUTILS	FONCTION CACHÉE
1	Horloge
2	Conversion Fahrenheit et Celsius
3	Son activé/désactivé
4	Son Élevé/Bas
5	Signal de fin On/Off (activé/désactivé)
6	Calibrage
7	Sabbat
8	Langue
9	Mode de démonstration

---

## Horloge

---

Il s'agit d'une horloge de 12 heures. Avant d'effectuer le réglage, s'assurer que le(s) four(s), la minuterie de cuisine et la cuisson minutée sont désactivés.

Réglage :

1. Appuyer sur CLOCK/TOOLS (horloge/outils).
2. Appuyer sur "1".
3. Sélectionner Horloge, puis appuyer sur les touches numériques pour régler l'heure.
4. Appuyer sur START (mise en marche).

## Minuterie de cuisine

---

La minuterie de cuisine peut être réglée en minutes et secondes ou en heures et minutes et procède à un compte à rebours de la durée réglée.

**REMARQUE :** La minuterie de cuisine ne met pas en marche le four et ne l'éteint pas.

## Verrouillage des commandes

---

Le verrouillage des commandes désactive les touches du tableau de commande pour éviter l'utilisation involontaire du ou des fours. Si le verrouillage des commandes a été réglé avant une panne de courant, la fonction reste activée après cette panne de courant. Lorsque le tableau de commande est verrouillé, seules les touches Start (mise en marche), Timer Set/Off (réglage/arrêt de la minuterie) et Oven Light (lampe du four) fonctionnent.

Le verrouillage des commandes est pré-réglé désactivé, mais peut être activé.

**Verrouillage des commandes :** Appuyer sans relâcher sur START (mise en marche) pendant environ 3 secondes, jusqu'à ce que "Commandes verrouillées" apparaisse sur la ligne de texte inférieure et que l'icône de verrouillage apparaisse sur l'affichage.

**Pour déverrouiller les commandes :** Répéter pour déverrouiller. "Commandes déverrouillées" s'affiche sur la ligne de texte inférieure et l'icône de verrouillage disparaît.

## Commande de la température du four

---

**IMPORTANT :** Ne pas utiliser de thermomètre pour mesurer la température du four. Les éléments chauffants s'allument et s'éteignent en alternance pour maintenir une température constante, mais leur température peut varier légèrement dans un sens ou dans l'autre du fait de cette alternance. L'ouverture de la porte du four affecte la mise en marche alternée des éléments et influence la température.

Le four fournit des températures précises et a été testé avec soin à l'usine. Toutefois, il peut cuire plus rapidement ou plus lentement que votre four précédent, et entraîner des différences de cuisson ou de brunissage. Si nécessaire, le calibrage de la température peut se régler en degrés Fahrenheit ou Celsius.

Sur les modèles de fours doubles, le four supérieur et le four inférieur peuvent chacun être calibrés indépendamment.

Un signe moins signifie que le four sera plus froid du nombre de degrés affiché. L'absence de signe moins signifie que le four sera plus chaud du nombre de degrés affiché. Utiliser le tableau suivant comme guide.

**REMARQUE :** Cet affichage se poursuit pour indiquer la température du réglage d'origine, et n'indiquera pas le décalage de calibration. Par exemple, si la température a été réglée à 350°F (177°C) et calibrée à -20, la température affichée sera toujours 350°F (177°C).

RÉGLAGE EN °F (CHANGEMENT AUTOMATIQUE EN °C)	CUIT LES ALIMENTS
10°F (6°C)	...un peu plus
20°F (12°C)	...modérément plus
30°F (18°C)	...beaucoup plus
0°F (0°C)	réglage par défaut
-10°F (-6°C)	...un peu moins
-20°F (-12°C)	...modérément moins
-30°F (-18°C)	...beaucoup moins

Ajustement du calibrage de la température du four :

- Appuyer sur TOOLS (outils), puis sur "6" pour régler le calibrage.
- Appuyer sur la touche "1" pour sélectionner le four supérieur ou sur la touche "2" pour sélectionner le four inférieur.  
Chaque calibrage de four peut être indépendamment réglé.
- Appuyer sur "3" pour augmenter et "6" pour réduire la température.
- Appuyer sur START pour terminer le calibrage.

## Mode Sabbat

Le mode Sabbat permet au four de rester sur un réglage de cuisson au four jusqu'à ce qu'on l'éteigne. Un mode Sabbat minuté peut également être programmé pour garder le four allumé seulement pendant une partie du mode Sabbat.

Lorsque le mode Sabbat est programmé, les touches utilisables sont les suivantes : clavier numérique, Start (mise en marche), Outils (uniquement pour désactiver une fonction), et Cancel (annulation). L'affichage fait défiler les informations concernant la sélection de la température de four souhaitée.

Lorsque la porte du four est ouverte ou fermée, la lampe du four ne s'allume ou ne s'éteint pas et les éléments de chauffage ne s'allument ou ne s'éteignent pas immédiatement.

Si une panne de courant se présente lorsque le mode Sabbat est programmé, le(s) four(s) restera/resteront au mode Sabbat mais ne sera/seront plus en mode cuisson. Le témoin lumineux "ON" (mise en marche) ne sera plus allumé. Appuyer sur CANCEL (annulation) (four supérieur ou inférieur) pour revenir à un mode de fonctionnement normal (pas de mode Sabbat actif, pas de cuisson).

Activation :

Avant que le mode Sabbat puisse être régulièrement programmé, le(s) four(s) doit/doivent d'abord être programmé(s) une seule fois pour fonctionner au mode Sabbat. Sur les modèles à double four, l'étape suivante permettra d'activer les deux fours.

- Appuyer sur CLOCK/TOOLS (horloge/outils) puis sur la touche numérique "7". "SABBAT ACTIVE" apparaît sur l'affichage du four pendant environ 5 secondes.

Désactivation :

La fonction d'activation du mode Sabbat par le(s) four(s) peut être désactivée en répétant les étapes précédentes. Voir la section "Activation". Lorsque le(s) four(s) est/sont désactivé(s), "SABBAT DÉACTIVÉ" apparaît sur l'affichage pendant environ 5 secondes.

Le mode Sabbat ne peut être programmé régulièrement tant qu'il n'a pas été réactivé.

Sur les modèles à double four, les étapes suivantes permettront de désactiver les deux fours.

Pour programmer l'arrêt non minuté du mode Sabbat de façon régulière :

Le mode Sabbat doit être activé avant de lancer le programme de cuisson au four. Voir la section "Activation".

- Appuyer sur BAKE (cuisson au four) (four supérieur ou inférieur).  
Appuyer sur les touches numériques pour entrer une température autre que 350°F (177°C). La température de cuisson au four peut être réglée entre 145°F et 550°F (63°C et 288°C).
- Appuyer sur START (mise en marche).
- Appuyer sur CLOCK/TOOLS (horloge/outils) puis sur la touche numérique "7". "SABBATH MODE" (mode Sabbat) apparaît sur l'affichage du four.

Pour programmer l'arrêt minuté du mode Sabbat de façon régulière :

## AVERTISSEMENT

### Risque d'empoisonnement alimentaire

**Ne pas laisser des aliments dans un four plus d'une heure avant ou après la cuisson.**

**Le non-respect de cette instruction peut causer un empoisonnement alimentaire ou une maladie.**

Le mode Sabbat doit être activé avant de lancer le programme de cuisson au four. Voir la section "Activation".

- Appuyer sur BAKE (cuisson au four) (four supérieur ou inférieur).  
Appuyer sur les touches numériques pour entrer une température autre que 350°F (177°C). La température de cuisson au four peut être réglée entre 145°F et 550°F (63°C et 288°C).
- Appuyer sur COOK TIME (durée de cuisson).
- Appuyer sur les touches numériques pour entrer la durée du mode Sabbat, jusqu'à 11 heures 59 minutes.
- Appuyer sur START (mise en marche). Le four commence un programme de cuisson minuté.
- Appuyer sur CLOCK/TOOLS (horloge/outils) puis sur la touche numérique "7". "SABBATH MODE" (mode Sabbat) apparaît sur l'affichage du four.  
L'heure de mise en marche et d'arrêt apparaissent sur l'affichage du four inférieur.
- Lorsque l'heure d'arrêt est atteinte, le four s'éteint automatiquement. Le module de commande du four reste en mode Sabbat jusqu'à ce qu'on appuie sur le bouton Cancel (annulation).

### Changement de température

La température du four peut être modifiée lorsque le(s) four(s) est/sont en mode Sabbat. Aucun signal sonore ne retentira et l'affichage ne changera pas. Les éléments chauffants ne s'allumeront ou ne s'éteindront pas pendant un certain temps, entre 16 et 24 secondes. Le changement de température du four peut prendre jusqu'à une demi-heure.

Les touches numériques de "1" à "0" représentent les températures.

Utiliser le tableau suivant comme guide.

TOUCHE NUMÉRIQUE	TEMPÉRATURE DU FOUR
1	170°F (76°C)
2	200°F (93°C)
3	225°F (107°C)
4	250°F (121°C)

TOUCHE NUMÉRIQUE	TEMPÉRATURE DU FOUR
5	300°F (148°C)
6	325°F (162°C)
7	350°F (176°C)
8	375°F (190°C)
9	400°F (204°C)
0	450°F (232°C)

Pour changer la température :

Initialement sur les fours doubles, les cavités peuvent être programmées à des températures différentes. Cependant, une fois que le mode Sabbat fonctionne, si la température est modifiée, les deux cavités utiliseront la même température.

1. Appuyer sur la touche numérique indiquée dans le tableau.
2. Appuyer sur START (mise en marche)

## UTILISATION DU FOUR

Des odeurs et de la fumée sont normales lorsque le four est utilisé les premières fois, ou lorsqu'il est très sale.

Lors de l'utilisation du four, les éléments de chauffage ne sont pas actifs mais fonctionnent par intermittence lors du fonctionnement du four.

**IMPORTANT :** Les émanations de fumée peuvent mettre en danger la santé de certains oiseaux qui y sont extrêmement sensibles. L'exposition aux émanations peut entraîner la mort de certains oiseaux. Toujours déplacer les oiseaux dans une autre pièce fermée et bien aérée.

### Papier d'aluminium

**IMPORTANT :** Pour éviter des dommages permanents au fini du fond du four, ne pas recouvrir le fond du four avec du papier d'aluminium ou un revêtement quelconque.

- Pour assurer une bonne circulation de l'air et des résultats de cuisson optimaux, ne pas recouvrir la grille entière de papier d'aluminium.
- Pour récupérer les renversements, placer une feuille de papier d'aluminium sur la grille sur laquelle le plat est placé. Veiller à ce que la feuille d'aluminium dépasse d'au moins 1/2" (1,3 cm) tout autour du plat et à ce que les bords soient relevés.

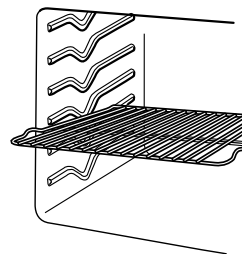
### Grilles du four

**IMPORTANT :** Afin d'éviter d'endommager irrémédiablement la finition en émail, ne pas placer d'aliments ou d'ustensiles de cuisson au four directement sur la porte ou sur le fond du four.

#### Grilles

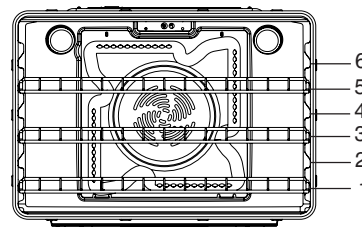
- Placer les grilles avant d'allumer le four.
- Ne pas installer les grilles lorsque des ustensiles de cuisson au four se trouvent dessus.
- S'assurer que les grilles sont horizontales.

Pour déplacer une grille, la tirer jusqu'à la butée d'arrêt, soulever le rebord avant et la tirer pour la sortir du four. Se servir de l'illustration et du tableau suivants comme guide.



### Positionnement des grilles et des ustensiles de cuisson au four

Positions de grille - Four supérieur/inferieur



Cuisson au gril

ALIMENT	POSITION DE LA GRILLE
Pour la plupart des cuissons au gril	6

Pour qu'une galette à hamburger soit bien saisie à l'extérieur tout en restant bien souple à l'intérieur, utiliser une grille plate en position 6. Cuire le 1er côté pendant environ 3 minutes. On doit cuire le 2e côté pendant environ 3 à 4 minutes. Une légère fumée peut se dégager durant la cuisson au gril.

## Cuisson traditionnelle

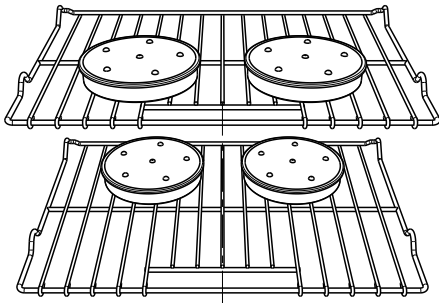
ALIMENT	POSITION DE LA GRILLE
Gros rôtis, dindes, gâteaux des anges, gâteaux Bundt, pains éclairs, tartes	1 ou 2
Pains à la levure, mets en sauce, viande et volaille	2
Biscuits, muffins et gâteaux	2 ou 3 pour une cuisson au four sur une seule grille; 2f et 5f pour une cuisson au four sur plusieurs grilles

## Cuisson par convection

RÉGLAGE DU FOUR	NOMBRE DE GRILLES UTILISÉES	POSITION(S) DE LA GRILLE
Cuisson au four avec préchauffage rapide	1	3
Cuisson au four par convection avec préchauffage rapide	1	3
Cuisson au four par convection	1	1, 2 ou 3
Cuisson au four par convection	2	2 et 5
Cuisson au four par convection	3	1, 3 et 5
Rôtissage par convection	1	1 ou 2
Cuisson au gril par convection	1	4, 5 ou 6

## Cuisson au four de gâteaux sur 2 grilles

Pour des résultats optimaux lors de cuisson au four de gâteaux sur 2 grilles, utiliser la fonction Bake (cuisson au four) et les grilles plates en positions 2 et 5. Placer les gâteaux sur les grilles, tel qu'illustré. Prévoir un espace d'au moins 2 pouces entre le bord avant des grilles et le bord avant des gâteaux.



## Cuisson au four de biscuits sur 2 grilles

Pour des résultats optimaux lors de la cuisson au four de biscuits sur 2 grilles, utiliser la fonction Convection Bake (cuisson au four par convection) et placer les grilles plates en positions 2 et 5.

### Ustensiles de cuisson

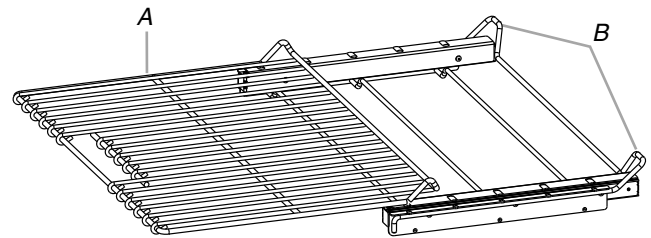
L'air chaud doit pouvoir circuler autour de l'aliment pour le cuire uniformément. Pour de meilleurs résultats, laisser un espace de 2" (5 cm) entre les ustensiles de cuisson et les parois du four. Utiliser le tableau suivant comme guide.

NOMBRE D'USTENSILE(S)	POSITION SUR LA GRILLE
1	Centre de la grille.
2	Côte à côte ou légèrement décalés.
3 ou 4	Voir les illustrations de position de grille dans cette section pour connaître le positionnement recommandé pour les plats.

## Grille déployante SatinGlide™

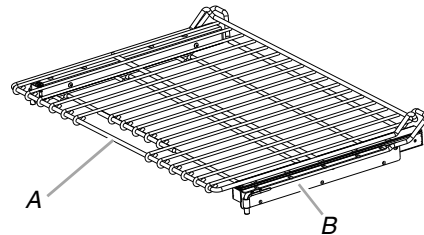
La grille déployante SatinGlide™ offre un accès facile à l'utilisateur pour le positionnement et le retrait des aliments. Elle peut être utilisée sur les positions de grille 1 à 6.

### Position déployée



A. Grille déployante SatinGlide™  
B. Support coulissant

### Position rétractée et emboîtée

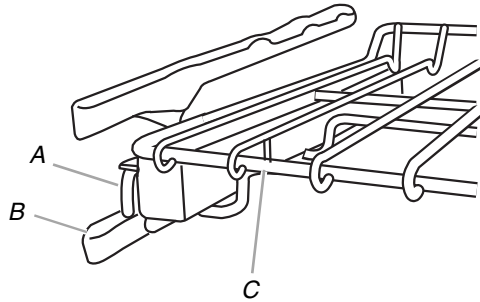


A. Grille déployante SatinGlide™  
B. Support coulissant

Retrait de la grille déployante SatinGlide™ :

1. Enfoncer la grille complètement en la faisant glisser jusqu'à ce qu'elle soit rétractée et emboîtée sur le support coulissant.

- À 2 mains, soulever l'avant de la grille et pousser le support coulissant vers la paroi arrière du four jusqu'à ce qu'il repose sur les rails pour grille. L'avant de la grille et du support coulissant doivent se trouver plus haut que l'arrière.



A. Support coulissant  
B. Rail pour grille  
C. Grille déployante SatinGlide™

- Retirer la grille et le support coulissant.

Réinstallation de la grille déployante SatinGlide™

- À 2 mains, saisir l'avant de la grille rétractée et du support coulissant. Placer la grille rétractée et le support coulissant sur le rail pour grille.
- À 2 mains, soulever l'avant de la grille et du support coulissant en même temps.
- Pousser lentement la grille et le support coulissant vers l'arrière du four jusqu'à ce que l'arrière de la grille chevauche l'extrémité du rail pour grille.

Afin d'éviter d'endommager les supports coulissants, ne pas placer plus de 25 lb (11,4 kg) sur la grille.

Ne pas laver la grille déployante SatinGlide™ au lave-vaisselle. Ceci pourrait enlever le lubrifiant de la grille et affecter la capacité de celle-ci à glisser.

Voir la section "Nettoyage général" pour plus de renseignements.

## Ustensiles de cuisson au four

Le matériau des ustensiles de cuisson au four affecte les résultats de cuisson. Suivre les recommandations du fabricant et utiliser le format d'ustensiles recommandé dans la recette. Se servir du tableau suivant comme guide.

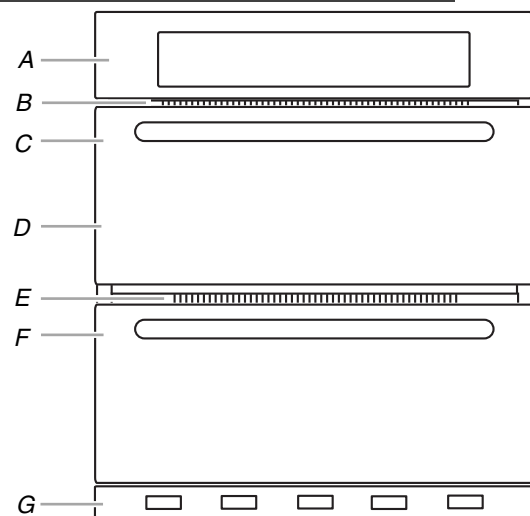
USTENSILES DE CUISSON AU FOUR/ RÉSULTATS	RECOMMANDATIONS
<b>Aluminium légèrement coloré</b>	■ Utiliser la température et la durée recommandées dans la recette.
■ Croûtes dorées, légères	
■ Brunissage uniforme	
<b>Aluminium foncé et autres ustensiles de cuisson au four avec fini foncé, terne et/ou antiadhésif</b>	■ Peut nécessiter de réduire légèrement les températures de cuisson.
■ Croûtes brunes, croustillantes	■ Utiliser la durée de cuisson suggérée.
	■ Pour les tartes, pains et mets en sauce, utiliser la température recommandée dans la recette.
	■ Placer la grille au centre du four.

USTENSILES DE CUISSON AU FOUR/ RÉSULTATS	RECOMMANDATIONS
<b>Tôles à biscuits ou moules à cuisson à isolation thermique</b>	■ Suivre les recommandations de positionnement de grille dans la section "Positionnement des grilles et ustensiles de cuisson au four".
■ Brunissage faible ou non existant à la base	■ Peut nécessiter d'augmenter le temps de cuisson.
<b>Acier inoxydable</b>	■ Peut nécessiter d'augmenter le temps de cuisson.
■ Croûtes dorées, légères	
■ Brunissage inégal	
<b>Plats en grès/Pierre de cuisson</b>	■ Suivre les instructions du fabricant.
■ Croûtes croustillantes	
<b>Plats en verre, vitrocéramique ou céramique allant au four</b>	■ Peut nécessiter de réduire légèrement la température de cuisson.
■ Croûtes brunes, croustillantes	

## Thermomètre à viande

Tous les modèles ne sont pas équipés d'une sonde thermométrique. Sur les modèles dépourvus d'une sonde thermométrique, utiliser un thermomètre à viande pour déterminer si la cuisson de la viande, de la volaille ou du poisson correspond au degré de cuisson souhaité. C'est la température interne et non l'apparence qui permet de déterminer le degré de cuisson.

## Évent(s) du four



### Four simple et double

- A. Tableau de commande  
B. Évent du four  
C. Four simple ou four double supérieur  
G. Évent inférieur

### Four double

- D. Four supérieur  
E. Évent du four  
F. Four inférieur  
G. Évent inférieur

L'évent/les événements du four ne doit/doivent être ni obstrué(s) ni couvert(s), car il(s) permet(tent) l'introduction de l'air frais dans le système de refroidissement. D'autre part, l'évent inférieur ne doit pas être obstrué ni recouvert car il permet l'introduction d'air frais dans le système de refroidissement et l'évacuation de l'air chaud en provenance du système de refroidissement. Le fait d'obstruer ou de couvrir les événements nuit à la circulation adéquate de l'air et affecte la cuisson, le nettoyage et le processus de refroidissement.



## Préchauffage et température du four

### Préchauffage

Au début d'un programme de cuisson au four (Bake) ou de cuisson au four avec convection (Convect Bake), le four commence par un préchauffage une fois la touche Start (mise en marche) enfoncée. Le four atteint 350°F (177°C) en 12 à 17 minutes environ lorsque toutes les grilles fournies avec le four sont à l'intérieur de la cavité du four. Pour atteindre une température plus élevée, le préchauffage est plus long. Le programme de préchauffage augmente rapidement la température du four. La température réelle du four dépasse alors la température programmée, pour compenser la chaleur perdue à l'ouverture du four pour y introduire le plat à cuire. Ainsi, le four entame la cuisson à la température correcte après y avoir placé le plat. Placer les aliments au four lorsque le signal sonore de préchauffage retentit. Ne pas ouvrir la porte du four pendant le préchauffage tant que le signal sonore n'a pas retenti.

### Température du four

En cours d'utilisation, les éléments chauffants du four s'allument et s'éteignent par intermittence pour maintenir une température constante. Ils peuvent chauffer ou refroidir légèrement à tout moment du fait de ce fonctionnement intermittent. L'ouverture de la porte du four en cours d'utilisation laisse échapper l'air chaud et refroidit le four, ce qui peut modifier la durée nécessaire et le résultat de la cuisson. Pour suivre l'avancement de la cuisson, il est conseillé d'utiliser l'éclairage du four.

## Cuisson au four et rôtissage

**IMPORTANT** : Le ventilateur de convection et l'élément de convection peuvent se mettre en marche durant la fonction de cuisson au four pour améliorer la performance et la distribution de chaleur.

Le four atteint 350°F en 12 à 17 minutes environ lorsque toutes les grilles du four sont à l'intérieur de la cavité. Le programme de préchauffage augmente rapidement la température à l'intérieur de la cavité du four. Pour atteindre une température plus élevée, le préchauffage est plus long. Les facteurs qui peuvent influencer la durée de préchauffage incluent la température ambiante, la température du four et le nombre de grilles installées. Pour réduire la durée de préchauffage, on peut retirer les grilles inutilisées avant de préchauffer le four. La température réelle du four dépasse alors la température programmée, pour compenser la chaleur perdue à l'ouverture du four pour y introduire le plat à cuire. Ainsi, le four entame la cuisson à la température correcte après y avoir placé le plat. Placer les aliments au four lorsque le signal sonore de préchauffage retentit. Ne pas ouvrir la porte du four pendant le préchauffage tant que le signal sonore n'a pas retenti.

Durant la cuisson au four ou le rôtissage, les éléments de cuisson au four et de cuisson au gril s'allument et s'éteignent par intermittence afin de maintenir la température du four.

Selon le modèle, si la porte du four est ouverte pendant la cuisson au four ou le rôtissage, les éléments chauffants (cuisson au four et au gril) s'éteignent environ 30 secondes après l'ouverture de la porte. Ils se mettent de nouveau en marche environ 30 secondes après la fermeture de la porte.

## Cuisson au gril

La cuisson au gril utilise la chaleur radiante directe pour cuire les aliments.

L'élément s'allume et s'éteint par intermittence pour maintenir la température du four.

**IMPORTANT** : Fermer la porte pour une température de cuisson au gril adéquate.

Si la porte du four est ouverte pendant la cuisson au gril, l'élément de cuisson au gril s'éteint au bout d'environ 30 secondes. Lorsque la porte du four est fermée, l'élément est réactivé environ 30 secondes plus tard.

- Pour de meilleurs résultats, utiliser une lèchefrite et une grille. La grille est conçue pour laisser s'écouler les jus et aider à éviter les éclaboussures et la fumée.

Il est possible de commander un ensemble de lèchefrite. Voir la section "Accessoires" pour commander.

- Pour que l'écoulement puisse se faire correctement, ne pas recouvrir la grille de papier d'aluminium. Le fond de la lèchefrite peut être garni de papier d'aluminium pour en faciliter le nettoyage.
- Enlever l'excès de graisse pour réduire les éclaboussures. Entailler le gras résiduel sur les côtés pour éviter que la viande ne se recroqueville.
- Sortir la grille jusqu'à la butée d'arrêt avant de tourner ou d'enlever les aliments. Utiliser une pince pour tourner les aliments et éviter la perte de jus. Il est possible qu'il ne soit pas nécessaire de tourner les coupes très minces de poisson, de volaille ou de viande.
- Après la cuisson au gril, sortir la lèchefrite du four en même temps que l'aliment. Les jus de cuisson cuiront sur la lèchefrite si on la laisse dans le four encore chaud, ce qui rendra le nettoyage plus difficile.

## Convection

Dans un four à convection, l'air chaud déplacé par ventilateur distribue la chaleur d'une manière plus uniforme. Ce déplacement de l'air chaud aide à maintenir une température uniforme dans tout le four, permettant ainsi de cuire les aliments plus uniformément tout en conservant leur humidité naturelle à l'intérieur.

On peut cuire la plupart des aliments au mode de cuisson au four par convection en baissant la température de cuisson de 25°F (14°C). La durée de cuisson peut être considérablement réduite lorsqu'on utilise le rôtissage par convection, surtout pour les grosses dindes et les rôtis.

- Il est important de ne pas couvrir les aliments avec des couvercles ou du papier d'aluminium de telle sorte que la surface reste exposée au déplacement de l'air, permettant ainsi le brunissage et le croustillant.
- Éviter au maximum la perte de chaleur en ouvrant la porte du four seulement lorsque c'est nécessaire. Pour suivre l'avancement de la cuisson, il est conseillé d'utiliser l'éclairage du four.
- Choisir des tôles à biscuits sans bords et des plats de rôtissage à côtés plus bas pour permettre à l'air de circuler librement autour de l'aliment.
- Vérifier la cuisson des produits de boulangerie quelques minutes avant le temps de cuisson minimal, avec un cure-dents par exemple.
- Utiliser un thermomètre à viande ou la sonde thermométrique pour déterminer le degré de cuisson des viandes et de la volaille. Vérifier la température du porc et de la volaille à 2 ou 3 endroits.

## Cuisson au four par convection (sur certains modèles)

L'élément de convection est dissimulé dans le panneau arrière de la cavité du four et assisté par le ventilateur de convection pour assurer un chauffage efficace et équilibré.

La cuisson au four par convection peut être utilisée pour cuire des gâteaux délicats et des pâtisseries ainsi que des aliments sur plusieurs grilles. Il est utile de décaler les articles sur les grilles pour permettre une circulation plus uniforme de la chaleur. Si le four est plein, il faudra peut-être allonger la durée de cuisson.

Lors de la cuisson au four d'un repas comportant plusieurs types différents d'aliments, veiller à choisir des recettes nécessitant des températures semblables. Prévoir un espace d'au moins 2" (5 cm) entre l'ustensile de cuisson et les parois du four.

Lors du préchauffage pour la cuisson au four par convection, les éléments de convection, cuisson au four et au gril et CleanBake™ chauffent la cavité du four. Après le préchauffage, ces éléments s'allument et s'éteignent par intermittence pour maintenir la température du four, tandis que le ventilateur fait circuler l'air chaud.

Si on ouvre la porte du four pendant la cuisson au four par convection, le ventilateur s'éteint immédiatement, et il se met en marche dès que l'on referme la porte. Les éléments de cuisson par convection, de cuisson au four et de cuisson au gril s'éteignent environ 30 secondes après l'ouverture de la porte. Ils se mettront de nouveau en marche environ 30 secondes après la fermeture de la porte.

**REMARQUE :** Il est normal que le ventilateur de convection fonctionne durant les programmes sans cuisson par convection, et durant le préchauffage.

- Réduire la température de la recette de 25°F (14°C). Le temps de cuisson devra peut-être aussi être réduit.

### Cuisson au four par convection

Avant la cuisson au four par convection, placer les grilles tel qu'indiqué à la section "Positionnement des grilles et des ustensiles de cuisson".

## Rôtissage par convection (sur certains modèles)

Le rôtissage par convection est utilisé pour le rôtissage des viandes et de la volaille. Durant le rôtissage par convection, les éléments de cuisson au gril, de cuisson par convection et CleanBake™ s'allument et s'éteignent par intermittence pour maintenir le four à température constante, tandis que le ventilateur fait circuler l'air chaud.

Si on ouvre la porte du four pendant le rôtissage par convection, le ventilateur s'éteint immédiatement, et il se met en marche dès que l'on referme la porte. Les éléments de cuisson au four, de cuisson au gril et de cuisson par convection s'éteignent environ 30 secondes après l'ouverture de la porte. Ils se mettront de nouveau en marche environ 30 secondes après la fermeture de la porte.

**REMARQUE :** Il est normal que le ventilateur de convection fonctionne durant les programmes sans cuisson par convection, et durant le préchauffage.

### Rôtissage par convection

Avant le rôtissage par convection, placer les grilles tel qu'indiqué à la section "Positionnement des grilles et des ustensiles de cuisson". Il n'est pas nécessaire de préchauffer le four avant d'y placer l'aliment, sauf si la recette le recommande.

## Cuisson au gril par convection (sur certains modèles)

Durant la cuisson au gril par convection, l'élément de cuisson au gril s'allume et s'éteint par intermittence pour maintenir le four à température constante tandis que le ventilateur fait circuler l'air chaud.

La température est préréglée à 550°F (288°C), mais elle peut être modifiée. Les durées de cuisson varient en fonction de la position de la grille et de la température et il peut être nécessaire de les ajuster.

Si on ouvre la porte du four pendant la cuisson au gril par convection, le ventilateur s'éteint immédiatement, et il se met en marche dès que l'on referme la porte. Les éléments de cuisson au gril s'éteignent environ 30 secondes après l'ouverture de la porte. Ils se mettront de nouveau en marche environ 30 secondes après la fermeture de la porte.

**REMARQUE :** Il est normal que le ventilateur de convection fonctionne durant les programmes sans cuisson par convection, et durant le préchauffage.

### Cuisson au gril par convection

Laisser le four préchauffer pendant 5 minutes. Placer l'aliment sur la grille non chauffée de la lèchefrite, puis placer celle-ci au centre de la grille du four, avec le côté le plus long de la lèchefrite parallèle à la porte du four.

## Levée du pain

La levée du pain prépare la pâte pour la cuisson en activant la levure. Sauf indication contraire de la recette, il est recommandé de procéder à une double levée.

### Pour faire lever la pâte

Avant la première levée de pain, placer la pâte dans un saladier légèrement graissé et couvrir sans serrer avec du papier ciré ou de la pellicule plastique recouverts de graisse végétale. Placer sur le guide de grille n° 2. Voir "Positionnement des grilles et ustensiles de cuisson" pour le dessin. Fermer la porte.

1. Appuyer sur PROOF (levée du pain) (four supérieur ou inférieur). L'affichage indiquera 100°F (38°C).
2. Appuyer sur START (mise en marche).

Laisser la pâte lever jusqu'à ce qu'elle ait presque doublé de volume. Vérifier après 20 à 25 minutes. La durée de levée du pain peut varier en fonction du type de pâte et de la quantité.

3. Appuyer sur la touche CANCEL (annulation) du four sélectionné une fois la levée du pain terminée.

Avant la seconde levée, mettre la pâte en forme, la placer sur la ou les plaque(s) de cuisson et couvrir partiellement. Reprendre le même placement et suivre les étapes de commande mentionnées ci-dessus. Avant la cuisson au four, retirer le papier ciré ou la pellicule plastique.

## Sonde thermométrique (four simple et supérieur et, sur certains modèles, four inférieur)

La sonde thermométrique mesure précisément la température interne de la viande, de la volaille et des mets en sauce liquides et doit être utilisée pour déterminer le degré de cuisson de la viande et de la volaille. La sonde thermométrique doit être utilisée uniquement avec les fonctions Bake (cuisson au four), Convection Bake (cuisson au four par convection) ou Convection Roast (rôtissage par convection).

Toujours débrancher et retirer la sonde thermométrique du four lorsqu'on retire les aliments.

## Utilisation

Avant de l'utiliser, insérer la sonde à l'intérieur de l'aliment. (Pour les viandes, l'extrémité de la sonde doit se trouver au centre de la partie la plus épaisse de la viande et non dans le gras ou au contact d'un os). Placer les aliments dans le four et connecter la sonde thermométrique à la prise. Maintenir la sonde aussi loin que possible de la source de chaleur. Fermer la porte du four.

**REMARQUE :** On doit insérer la sonde thermométrique dans l'aliment avant de sélectionner le mode souhaité.

1. Appuyer sur les touches numériques pour programmer une température pour la sonde. La température de la sonde correspond à la température interne désirée une fois que l'aliment est cuit. La température peut être réglée entre 110°F et 200°F (43°C et 93°C).

2. Appuyer sur BAKE (cuisson au four), CONVECT BAKE (cuisson au four par convection) ou CONVECT ROAST (rôtissage par convection) pour le four supérieur ou inférieur.

Appuyer sur les touches numériques pour entrer une température du four autre que celle qui est affichée. La température du four correspond à la température indiquée par la recette.

3. Appuyer sur START (mise en marche).

La température de four réglée apparaîtra sur l'affichage du four pendant la cuisson.

"Inf" apparaît pour indiquer la température de la sonde jusqu'à ce que la température interne des aliments atteigne 45°F (7°C). L'affichage indique ensuite les augmentations de température.

Lorsque la température de sonde programmée est atteinte, le four s'arrête automatiquement et "Cuisson Terminée" apparaît sur l'affichage du four.

Les signaux sonores de fin de programme se font entendre (si activés), suivis des signaux de rappel à intervalles d'une minute.

4. Appuyer sur la touche CANCEL (annulation) du four sélectionné ou ouvrir la porte pour effacer l'affichage et/ou arrêter les signaux sonores de rappel.

5. Toujours débrancher et retirer la sonde thermométrique du four lorsqu'on retire les aliments. Le symbole de la sonde restera allumé jusqu'à ce que la sonde soit débranchée.

Pour modifier la température de la sonde durant un programme de cuisson

1. Sélectionner un mode de cuisson permettant d'utiliser la sonde (Bake [cuisson au four], Convect Bake [cuisson au four par convection] ou Convect Roast [rôtissage par convection]).

2. Suivre les étapes 1 à 5 dans la section "Utilisation".

## Cuisson minutée

### AVERTISSEMENT

#### Risque d'empoisonnement alimentaire

**Ne pas laisser des aliments dans un four plus d'une heure avant ou après la cuisson.**

**Le non-respect de cette instruction peut causer un empoisonnement alimentaire ou une maladie.**

La cuisson minutée permet d'allumer le(s) four(s) à une certaine heure de la journée, de faire cuire pendant une durée réglée et/ou d'éteindre le(s) four(s) automatiquement. La mise en marche différée ne doit pas être utilisée pour les aliments tels que pains et gâteaux car ils risquent de ne pas bien cuire.

## Réglage d'une durée de cuisson

1. Sélectionner une fonction de cuisson.

Appuyer sur les touches numériques pour entrer une température autre que celle qui est affichée.

La cuisson minutée peut également être utilisée avec la fonction Levée du pain, mais la température n'est pas modifiable.

2. Appuyer sur COOK TIME (durée de cuisson).

3. Appuyer sur les touches numériques pour entrer la durée de cuisson.

4. Appuyer sur START (mise en marche).

Le compte à rebours en minutes apparaît sur l'affichage du four. L'heure de début et de fin ne s'affiche pas avant la fin du préchauffage du four.

Lorsque l'heure d'arrêt est atteinte, le four s'arrête automatiquement et "Cuisson Terminée" apparaît sur l'affichage du four.

Les signaux sonores de fin de programme se font entendre (si activés), suivis des signaux de rappel à intervalles d'une minute.

5. Appuyer sur la touche CANCEL (annulation) du four sélectionné ou ouvrir la porte et refermer pour effacer l'affichage et/ou arrêter les signaux sonores de rappel.

Réglage de la durée de cuisson et de l'heure d'arrêt  
Avant le réglage, s'assurer que l'horloge est réglée à l'heure exacte. Voir la section "Horloge".

1. Sélectionner une fonction de cuisson.

Appuyer sur les touches numériques pour entrer une température autre que celle qui est affichée.

La cuisson minutée peut également être utilisée avec la fonction Levée du pain, mais la température n'est pas modifiable.

2. Appuyer sur COOK TIME (durée de cuisson).

3. Appuyer sur les touches numériques pour entrer la durée de cuisson.

4. Appuyer sur STOP TIME (heure d'arrêt).

5. Appuyer sur les touches numériques pour entrer l'heure d'arrêt.

6. Appuyer sur START (mise en marche).

L'heure de mise en marche est calculée et affichée automatiquement.

"DIFFÉRER" et l'heure d'arrêt apparaissent aussi sur l'affichage du four.

Lorsque l'heure de mise en marche est atteinte, le four s'allume automatiquement. Le compte à rebours en minutes apparaît sur l'affichage du four.

Lorsque l'heure d'arrêt est atteinte, le four s'arrête automatiquement et "Cuisson Terminée" apparaît sur l'affichage du four.

Les signaux sonores de fin de programme se font entendre (si activés), suivis des signaux de rappel à intervalles d'une minute.

7. Appuyer sur la touche CANCEL (annulation) du four sélectionné ou ouvrir la porte et refermer pour effacer l'affichage et/ou arrêter les signaux sonores de rappel.

# ENTRETIEN DU FOUR

## Programme d'autonettoyage à haute température

### **AVERTISSEMENT**



#### Risque de brûlures

**Ne pas toucher le four au cours du programme d'autonettoyage.**

**Garder les enfants loin du four au cours du programme d'autonettoyage.**

**Le non-respect de ces instructions peut causer des brûlures.**

**IMPORTANT :** Les émanations produites au cours du programme d'autonettoyage à haute température peuvent mettre en danger la santé de certains oiseaux. L'exposition aux émanations peut entraîner la mort de certains oiseaux. Toujours déplacer les oiseaux dans une autre pièce fermée et bien aérée.

Procéder à l'autonettoyage du four avant qu'il ne devienne très sale. Les saletés intenses nécessitent un nettoyage plus long et dégagent plus de fumée.

Veiller à ce que la cuisine soit bien aérée pendant le programme d'autonettoyage à haute température afin d'aider à éliminer la chaleur, les odeurs et la fumée.

Ne pas obstruer le ou le(s) évent(s) du four durant le programme d'autonettoyage à haute température. L'air doit pouvoir circuler librement. Selon votre modèle, voir la section "Évent du four" ou "Événements du four".

Ne pas nettoyer, frotter, endommager ou déplacer le joint d'étanchéité de la porte du four. Le joint de la porte est essentiel pour une bonne étanchéité.

Préparation du four :

- Sortir du four la lèchefrite, la grille et les ustensiles de cuisson au four et, sur certains modèles, la sonde thermométrique.
- Sortir les grilles du four pour les garder brillantes et pour qu'elles glissent facilement. Voir la section "Nettoyage général" pour plus de renseignements.
- Enlever tout papier d'aluminium du four; celui-ci risquerait de brûler ou de fondre et d'endommager le four.
- Nettoyer manuellement l'intérieur de la porte et une zone de 1½" (3,8 cm) sur le pourtour du cadre de la cavité du four, en prenant soin de ne pas déplacer ni plier le joint d'étanchéité. Cette zone ne chauffe pas assez au cours du programme d'autonettoyage à haute température pour pouvoir éliminer la saleté. Ne pas laisser de l'eau, un nettoyant, etc. pénétrer dans les fentes du cadre de la porte. Nettoyer avec un chiffon humide.

- Essuyer toute saleté décollée afin de réduire la fumée et d'éviter les dommages. À des températures élevées, les aliments réagissent avec la porcelaine. Cette réaction peut causer des taches, des attaques, des piqûres ou de légères taches blanches. Ceci est normal et n'affecte pas la performance de cuisson.

Comment fonctionne le programme

**IMPORTANT :** Le chauffage et le refroidissement de la porcelaine sur l'acier dans le four peuvent causer une décoloration, une perte de lustre, des fissures minuscules et des craquements.

Le programme d'autonettoyage à haute température utilise des températures très élevées, brûlant les saletés pour les réduire en cendre.

Le four est pré-réglé pour un programme de nettoyage de 4 heures et 30 minutes, mais la durée peut être modifiée. Les durées de nettoyage suggérées sont de 3 heures et 30 minutes pour des saletés légères et entre 4 heures et 30 minutes et 5 heures et 30 minutes pour des saletés moyennes à abondantes.

Utiliser le tableau ci-dessous comme guide pour déterminer le niveau de nettoyage désiré.

NIVEAU DE NETTOYAGE	DURÉE DE NETTOYAGE TOTALE (comprend 30 minutes de temps de refroidissement)
1 (Rapide)	3 heures 30 minutes
2 (Normal)	4 heures 30 minutes
3 (Maximum)	5 heures 30 minutes

Lorsque le four a complètement refroidi, retirer la cendre avec un chiffon humide. Afin d'éviter de briser le verre, ne pas appliquer de chiffon humide et froid sur la partie interne du hublot de la porte avant qu'il n'ait complètement refroidi.

Les lampes du four ne fonctionnent pas durant le programme d'autonettoyage à haute température. Sur les modèles à double four, seul un four à la fois peut effectuer un autonettoyage. Lorsqu'un four effectue un programme d'autonettoyage à haute température, l'autre four ne peut être ni programmé, ni allumé.

**REMARQUE :** Le four possède un moteur de ventilateur de refroidissement à 2 vitesses. Pendant l'autonettoyage, le(s) ventilateur(s) fonctionnera(ont) à la vitesse la plus élevée pour augmenter le flux d'air et faciliter l'évacuation de l'air chaud à travers les événements du four. Une augmentation du bruit peut être constatée pendant et après le programme d'autonettoyage jusqu'au refroidissement du four.

Pour démarrer l'autonettoyage à haute température : Avant de démarrer l'autonettoyage à haute température, s'assurer que la porte est complètement fermée sinon elle ne se verrouillera pas et le programme ne commencera pas.

1. Appuyer sur SELF CLEAN (autonettoyage) (four supérieur ou inférieur). Appuyer sur SELF CLEAN (autonettoyage) de façon répétée pour régler une durée de nettoyage autre que 4 heures et 30 minutes. La durée de nettoyage peut être réglée entre 3 heures et 30 minutes et 5 heures et 30 minutes. Les touches numériques ne peuvent être utilisées pour régler une durée de nettoyage.

## 2. Appuyer sur START (mise en marche).

La porte du four se verrouille et “Verrouillage porte” apparaît sur l’affichage du four. Si l’on ouvre la porte à ce moment-là, le programme d’autonettoyage sera annulé. “Porte verrouillée” apparaît sur l’affichage du four une fois la porte verrouillée. L’heure de mise en marche et d’arrêt apparaissent ensuite sur l’affichage du four.

Lorsque le programme est terminé et que le four est froid, “Fin Autonettoyage” apparaît sur l’affichage du four et “PORTE VERROUILLÉE” disparaît. La porte ne se déverrouille pas tant que le four n’a pas refroidi.

Les signaux sonores de fin de programme se font entendre (si activés), suivis des signaux de rappel à intervalles d’une minute.

## 3. Appuyer sur la touche CANCEL (annulation) du four sélectionné ou ouvrir la porte et refermer pour effacer l’affichage et/ou arrêter les signaux sonores de rappel.

Pour différer l’heure de démarrage de l’autonettoyage à haute température :

Avant de lancer un programme d’autonettoyage à haute température différé, s’assurer que l’horloge est réglée à l’heure exacte. Voir la section “Horloge”. S’assurer également que la porte est complètement fermée, sinon elle ne se verrouillera pas et le programme ne commencera pas.

## 1. Appuyer sur SELF CLEAN (autonettoyage) (four supérieur ou inférieur). Appuyer sur SELF CLEAN (autonettoyage) de façon répétée pour régler une durée de nettoyage autre que 4 heures et 30 minutes. La durée de nettoyage peut être réglée entre 3 heures et 30 minutes et 5 heures et 30 minutes.

Les touches numériques ne peuvent pas être utilisées pour régler la durée de nettoyage.

## 2. Appuyer sur STOP TIME (heure d’arrêt).

## 3. Appuyer sur les touches numériques pour entrer l’heure d’arrêt.

## 4. Appuyer sur START (mise en marche).

L’heure de mise en marche et d’arrêt est calculée et affichée automatiquement.

La porte ne se verrouille pas tant que l’heure de mise en marche n’a pas été atteinte.

Lorsque l’heure de mise en marche est atteinte, le four s’allume automatiquement. La porte du four se verrouille et “Verrouillage porte” apparaît sur l’affichage du four. Si l’on ouvre la porte à ce moment-là, le programme d’autonettoyage sera annulé. “Porte verrouillée” apparaît sur l’affichage du four une fois la porte verrouillée.

Lorsque le programme est terminé et que le four est froid, “Fin Autonettoyage” apparaît sur l’affichage du four et “PORTE VERROUILLÉE” s’efface. La porte ne se déverrouille pas tant que le four n’a pas refroidi.

## 5. Appuyer sur CANCEL (annulation) pour le four sélectionné ou ouvrir et refermer la porte du four pour effacer l’affichage du four.

Pour arrêter l’autonettoyage à haute température à tout moment :

Appuyer sur CANCEL (annulation) (four supérieur ou inférieur). Si la température du four est trop élevée, la porte reste verrouillée. Elle ne se déverrouille pas tant que le four n’a pas refroidi.

## Nettoyage général

**IMPORTANT** : Avant le nettoyage, s’assurer que toutes les commandes sont désactivées et que le four a refroidi. Toujours suivre les instructions sur les étiquettes des produits de nettoyage.

Du savon, de l’eau et un chiffon doux ou une éponge sont recommandés à moins d’indication contraire.

### ACIER INOXYDABLE (sur certains modèles)

Pour éviter d’endommager les surfaces en acier inoxydable, ne pas utiliser de tampons à récurer savonneux, de nettoyants abrasifs, de crème à polir pour table de cuisson, de tampons en laine d’acier, de chiffons de lavage rudes ou certains essuie-tout abrasifs.

#### Méthode de nettoyage :

Frotter dans la direction du grain pour éviter les dommages.

- Nettoyant pour acier inoxydable affresh® - Pièce n° W10355016 (non fournie) ou chiffons pour acier inoxydable affresh® - Pièce n° W10355049 (non fournie) : Voir la section “Accessoires” pour placer une commande.

### EXTÉRIEUR DE LA PORTE DU FOUR

#### Méthode de nettoyage :

- Nettoyant à vitre et chiffon doux ou éponge : Appliquer le nettoyant à vitre sur un chiffon doux ou une éponge, et non pas directement sur le tableau.
- Nettoyant pour cuisine et appareils ménagers affresh® Pièce numéro W10355010 (non fournie) : Voir la section “Assistance ou service” pour placer une commande.

### INTÉRIEUR DE LA PORTE DU FOUR

#### Méthode de nettoyage :

- Programme d’autonettoyage : Pour un nettoyage optimal de la porte, essuyer tout dépôt avec une éponge humide avant de lancer le programme.

### TABLEAU DE COMMANDE

Pour éviter d’endommager le tableau de commande, ne pas utiliser de nettoyants abrasifs, de tampons en laine d’acier, de chiffons de lavage rudes ou certains essuie-tout abrasifs.

#### Méthode de nettoyage :

- Nettoyant à vitre et chiffon doux ou éponge : Appliquer le nettoyant à vitre sur un chiffon doux ou une éponge, et non pas directement sur le tableau.
- Nettoyant pour cuisine et appareils ménagers affresh® Pièce numéro W10355010 (non fournie) : Voir la section “Accessoires” pour placer une commande.

### CAVITÉ DU FOUR

Ne pas utiliser de nettoyants à four.

Les renversements d’aliments doivent être nettoyés lorsque le four a refroidi. À des températures élevées, les aliments réagissent avec la porcelaine et cette réaction peut causer de légères taches blanches, des taches intenses ou des piqûres.

#### Méthode de nettoyage :

- Programme d’autonettoyage : Voir d’abord “Programme d’autonettoyage à haute température”.

## GRILLES DE FOUR

### Méthode de nettoyage :

- Programme d'autonettoyage : Voir d'abord "Programme d'autonettoyage à haute température". Sortir les grilles sinon elles se décoloreront et glisseront plus difficilement. Le cas échéant, une légère couche d'huile végétale appliquée sur les glissières facilitera le glissement des grilles.
- Tampon en laine d'acier

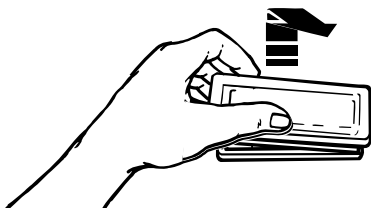
## Lampes du four

Les lampes du four sont des ampoules à halogène de 120 volts, 40 watts maximum. Elles s'allument à l'ouverture de la porte du four. Sur les modèles à double four, les lampes supérieure et inférieure s'allument lorsque l'une des deux portes est ouverte. Les lampes du four ne fonctionnent pas durant le programme d'autonettoyage. Lorsque la porte du four est fermée, appuyer sur OVEN LIGHT (lampe du four) pour allumer ou éteindre les lampes.

### Remplacement :

Avant de procéder au remplacement, s'assurer que le four est éteint et froid.

1. Déconnecter la source de courant électrique.
2. Ôter le couvercle en verre de la lampe en saisissant le bord avant et en tirant pour l'écarter du four.



3. Ôter l'ampoule de la douille.
4. Remplacer l'ampoule en la manipulant avec un mouchoir de papier ou des gants de coton. Pour éviter d'endommager ou de réduire la longévité de l'ampoule neuve, ne pas toucher l'ampoule avec les doigts nus.
5. Réinstaller le couvercle de l'ampoule en l'emboîtant dans la paroi.
6. Reconnecter la source de courant électrique.

**IMPORTANT :** Ne pas utiliser d'ampoule d'une puissance supérieure à 40 watts.

## Porte du four

### IMPORTANT :

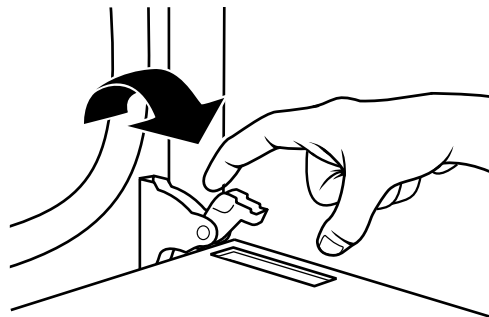
Pour éviter de briser la vitre de la porte du four :

- Ne pas fermer la porte du four si les grilles ne sont pas complètement insérées dans la cavité du four ou lorsque les ustensiles de cuisson dépassent à l'avant d'une grille du four.
- Ne pas entreposer d'objets sur la vitre de la porte du four.
- Ne pas heurter la vitre avec des ustensiles de cuisson ou d'autres objets.
- Ne pas essuyer les vitres avant que le four n'ait complètement refroidi.

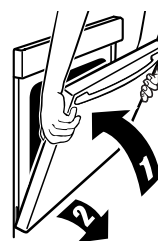
Il n'est pas recommandé d'enlever la porte du four pour une utilisation normale. Toutefois, s'il est nécessaire de l'enlever, s'assurer que le four est éteint et froid. Puis suivre ces instructions. La porte du four est lourde.

### Dépose :

1. Ouvrir la porte du four complètement.
2. Relever le verrou de charnière de chaque côté.



3. Fermer la porte du four le plus complètement possible.
4. Soulever la porte du four tout en la retenant de chaque côté. Continuer de maintenir la porte du four fermée et l'éloigner du châssis de la porte du four.



### Réinstallation :

1. Insérer les deux bras de suspension dans la porte.



2. Ouvrir la porte du four. Vous devriez entendre un déclic alors que la porte est mise en place.
3. Remettre les leviers des charnières à la position verrouillée. S'assurer que la porte peut s'ouvrir et se fermer. Sinon, répéter les procédures de dépose et d'installation.

# DÉPANNAGE

Essayer d'abord les solutions suggérées ici afin d'éviter le coût d'une intervention de dépannage inutile.

Rien ne fonctionne

- **Un fusible du domicile est-il grillé ou le disjoncteur s'est-il déclenché?**  
Remplacer le fusible ou réenclencher le disjoncteur. Si le problème persiste, appeler un électricien.
- **Le raccordement de l'appareil est-il adapté?**  
Voir les instructions d'installation.

Le four ne fonctionne pas

- **La commande électronique du four est-elle bien réglée?**  
Voir la section "Commande électronique du four".
- **Une mise en marche différée a-t-elle été réglée?**  
Voir la section "Cuisson minutée".
- **Le verrouillage de la commande a-t-il été réglé?**  
Voir la section "Verrouillage des commandes".
- **Le mode Sabbat a-t-il été programmé?**  
Voir la section "Mode Sabbat".
- **Sur les modèles à double four, l'un des fours est-il en cours d'autonettoyage?**  
Lorsqu'un four effectue un programme d'autonettoyage, l'autre four ne peut être ni réglé, ni allumé.

La température du four est trop élevée ou trop basse

- **Le calibrage de la température du four a-t-il besoin d'être ajusté?**  
Voir la section "Commande de la température du four".

De l'air chaud sort de l'évent du four

- Il est normal que de l'air chaud sorte de l'évent du four. Durant un programme d'autonettoyage, le débit d'air augmente.
- Le ventilateur de refroidissement peut fonctionner aussi bien durant un programme du four qu'après la fin du programme, ce qui évacue l'air chaud par l'évent du four.

Des messages s'affichent

- **L'affichage indique-t-il une lettre suivie d'un chiffre?**  
Effacer l'affichage. Voir la section "Affichage(s)". Si une lettre suivie d'un chiffre réapparaît, faire un appel de service. Voir la section "Garantie".

Le ventilateur fonctionne pendant la fonction de cuisson au four

- Il est normal que le ventilateur de convection et l'élément de convection se mettent en marche durant la fonction de cuisson au four pour améliorer la performance et la distribution de chaleur.

Longues durées de préchauffage

- Certains programmes ne nécessitent pas de préchauffage. Voir les instructions de programme pour connaître les recommandations en ce qui concerne le préchauffage. La plupart des programmes préchauffent à 350°F (177°C) en 12 à 17 minutes. Cette durée augmente pour des températures plus élevées. Pour réduire la durée de préchauffage, on peut retirer les grilles inutilisées avant de préchauffer le four.

Le programme d'autonettoyage ne fonctionne pas

- **La porte du four est-elle ouverte?**  
Fermer la porte du four complètement.
- **Une fonction a-t-elle été entrée?**  
Voir la section "Programme d'autonettoyage".
- **Sur certains modèles, un programme d'autonettoyage à mise en marche différée a-t-il été réglé?**  
Voir la section "Programme d'autonettoyage".
- **Une mise en marche différée a-t-elle été réglée?**  
Voir la section "Cuisson minutée".
- **Sur les modèles à double four, l'un des fours est-il en cours d'autonettoyage?**  
Lorsqu'un four effectue un programme d'autonettoyage, l'autre four ne peut pas être réglé pour un programme d'autonettoyage.

La cuisson au four ne produit pas les résultats prévus

- **La température correcte est-elle réglée?**  
Contre-vérifier la recette dans un livre de recettes fiable.
- **Le calibrage de la température du four est-il réglé correctement?**  
Voir la section "Commande de la température du four".
- **Le four a-t-il été préchauffé?**  
Voir la section "Cuisson au four et rôtissage".
- **Utilise-t-on un ustensile de cuisson au four approprié?**  
Voir la section "Ustensiles de cuisson au four".
- **Les grilles sont-elles installées correctement?**  
Voir la section "Positionnement des grilles et ustensiles de cuisson".
- **Existe-t-il une circulation d'air appropriée autour des ustensiles de cuisson?**  
Voir la section "Positionnement des grilles et ustensiles de cuisson".
- **La pâte est-elle distribuée uniformément dans le plat?**  
Vérifier que la pâte est répartie uniformément dans le plat.
- **Utilise-t-on une durée de cuisson appropriée?**  
Ajuster la durée de cuisson.
- **La porte du four a-t-elle été ouverte pendant la cuisson?**  
L'ouverture de la porte pour vérifier la cuisson laisse la chaleur du four s'échapper et peut nécessiter des durées de cuisson plus longues.
- **Les articles cuits au four sont-ils trop bruns à la base?**  
Déplacer la grille à une position plus élevée dans le four.
- **Les bords des croûtes de tarte ont-ils doré trop tôt?**  
Utiliser du papier d'aluminium pour couvrir le bord de la croûte et/ou réduire la température de cuisson au four.

Brunissage inégal des articles cuits au four

- Voir la section "Positionnement des grilles et ustensiles de cuisson au four".
- Centrer le(s) ustensile(s) de cuisson au four sur la grille et laisser un espace d'au moins 2" (5 cm) de chaque côté de ou des ustensile(s).
- Laisser un espace d'au moins 2" (5 cm) entre la porte du four et le bord avant des ustensiles de cuisson.

# ASSISTANCE OU SERVICE

Si vous avez besoin de service

Consulter la page de garantie du présent manuel.

Si vous avez besoin de pièces de rechange

Si vous avez besoin de commander des pièces de rechange, nous vous recommandons d'utiliser seulement des pièces spécifiées par l'usine. Ces pièces spécifiées par l'usine conviendront et fonctionneront bien parce qu'elles sont fabriquées selon les mêmes spécifications précises utilisées pour fabriquer chaque nouvel appareil KITCHENAID®.

Pour savoir où trouver des pièces spécifiées par l'usine dans votre région, nous appelons ou contactons le centre de service désigné par KitchenAid le plus proche.

## Aux États-Unis

Veillez appeler sans frais le Centre pour l'eXpérience de la clientèle de KitchenAid au : **1-800-422-1230** ou visitez notre site web à **www.kitchenaid.com**.

Nos consultants sont prêts à vous aider pour les questions suivantes :

- Programmation d'une intervention de dépannage. Les techniciens de service désignés par KitchenAid sont formés pour remplir la garantie des produits et fournir un service après garantie partout aux États-Unis.
- Caractéristiques et spécifications sur toute notre gamme d'appareils électroménagers.
- Références aux concessionnaires locaux.
- Renseignements d'installation.
- Procédés d'utilisation et d'entretien.
- Vente de pièces de rechange et d'accessoires.
- Assistance spécialisée aux consommateurs (langue espagnole, malentendants, malvoyants, etc.).

Pour plus d'assistance

Si vous avez besoin de plus d'assistance, vous pouvez soumettre par écrit toute question ou préoccupation à KitchenAid à l'adresse suivante :

KitchenAid Brand Home Appliances  
Customer eXperience Center  
553 Benson Road  
Benton Harbor, MI 49022-2692

Veillez inclure dans votre correspondance un numéro de téléphone où l'on peut vous joindre dans la journée.

## Au Canada

Veillez appeler sans frais le Centre pour l'eXpérience de la clientèle de Whirlpool Canada LP au : **1-800-807-6777** ou visitez notre site Web à **www.kitchenaid.ca**.

Nos consultants vous renseigneront sur les sujets suivants :

- Programmation d'une intervention de dépannage. Les techniciens de service désignés par KitchenAid sont formés pour remplir la garantie des produits et fournir un service après garantie partout au Canada.
- Caractéristiques et spécifications sur toute notre gamme d'appareils électroménagers.
- Références aux marchands locaux.
- Consignes d'utilisation et d'entretien.
- Vente d'accessoires et de pièces de rechange.

Pour plus d'assistance

Si vous avez besoin de plus d'assistance, vous pouvez soumettre par écrit toute question ou préoccupation à Whirlpool Canada LP à l'adresse suivante :

Centre pour l'eXpérience de la clientèle  
Whirlpool Canada LP  
200 - 6750 Century Ave.  
Mississauga, Ontario L5N 0B7

Veillez inclure dans votre correspondance un numéro de téléphone où l'on peut vous joindre dans la journée.



# ACCESSOIRES

## Accessoires É.-U.

Pour commander des accessoires, contacter le service de l'eXpérience à la clientèle KitchenAid en composant le numéro sans frais **1-800-422-1230** et suivre les instructions du menu. Ou visiter notre site internet sur **www.kitchenaid.com**. Des appareils portatifs, ustensiles de cuisson et cuisine, gadgets et textiles sont également proposés.

Nettoyant pour acier inoxydable affresh®  
(modèles en acier inoxydable)

Commander la pièce numéro W10355016

Lingettes nettoyantes pour acier inoxydable affresh®  
(modèles en acier inoxydable)

Commander la pièce numéro W10355049

Nettoyant pour cuisine et appareils ménagers affresh®  
Commander la pièce numéro W10355010

Lèchefrite et grille en porcelaine  
Commander la pièce numéro 4396923

Lèchefrite et grille de rôtissage de qualité supérieure  
Commander la pièce numéro W10123240

## Au Canada

Veillez appeler sans frais le Centre pour l'eXpérience de la clientèle de Whirlpool Canada LP au : **1-800-807-6777** ou visitez notre site Web à **www.kitchenaid.ca**.

Nos consultants vous renseigneront sur les sujets suivants :

- Programmation d'une intervention de dépannage. Les techniciens de service désignés par KitchenAid sont formés pour remplir la garantie des produits et fournir un service après garantie partout au Canada.
- Caractéristiques et spécifications sur toute notre gamme d'appareils électroménagers.
- Références aux marchands locaux.
- Consignes d'utilisation et d'entretien.
- Vente d'accessoires et de pièces de rechange.

Pour plus d'assistance

Si vous avez besoin de plus d'assistance, vous pouvez soumettre par écrit toute question ou préoccupation à Whirlpool Canada LP à l'adresse suivante :

Centre pour l'eXpérience de la clientèle  
Whirlpool Canada LP  
200 - 6750 Century Ave.  
Mississauga, Ontario L5N 0B7

Veillez inclure dans votre correspondance un numéro de téléphone où l'on peut vous joindre dans la journée.

# GARANTIE LIMITÉE DU FOUR/FOUR À MICRO-ONDES ENCASTRÉ KITCHENAID®

ATTACHEZ ICI VOTRE REÇU DE VENTE. UNE PREUVE D'ACHAT EST OBLIGATOIRE POUR OBTENIR L'APPLICATION DE LA GARANTIE.

Lorsque vous appelez le centre d'eXpérience de la clientèle, veuillez garder à disposition les renseignements suivants :

- Nom, adresse et numéro de téléphone
- Numéros de modèle et de série
- Une description claire et détaillée du problème rencontré
- Une preuve d'achat incluant le nom et l'adresse du marchand ou du détaillant

## SI VOUS AVEZ BESOIN DE SERVICE :

1. Avant de nous contacter pour obtenir un dépannage, veuillez déterminer si des réparations sont nécessaires pour votre produit. Certains problèmes peuvent être résolus sans intervention de dépannage. Prenez quelques minutes pour parcourir la section Dépannage ou Résolution de problèmes du guide d'utilisation et d'entretien, scannez le code QR ci-contre avec votre téléphone intelligent pour accéder à des ressources supplémentaires, ou rendez-vous sur le site <http://www.kitchenaid.ca>.
2. Tout service sous garantie doit être effectué exclusivement par nos fournisseurs de dépannage autorisés KitchenAid. Aux É.-U. et au Canada, dirigez toutes vos demandes de service sous garantie au

**Centre d'eXpérience de la clientèle KitchenAid**

**Aux É.-U., composer le 1-800-422-1230. Au Canada, composer le 1-800-807-6777.**

Si vous résidez à l'extérieur du Canada et des 50 États des États-Unis, contactez votre marchand KitchenAid autorisé pour déterminer si une autre garantie s'applique.



<http://www.kitchenaid.ca>

## GARANTIE LIMITÉE DE DIX ANS

### CE QUI EST COUVERT

#### GARANTIE LIMITÉE DURANT LA PREMIÈRE ANNÉE (PIÈCES ET MAIN-D'ŒUVRE)

Pendant un an à compter de la date d'achat, lorsque ce gros appareil ménager est installé, utilisé et entretenu conformément aux instructions jointes au produit ou fournies avec, la marque KitchenAid de Whirlpool Corporation ou Whirlpool Canada, LP (ci-après désignées "KitchenAid") paiera pour les pièces de rechange spécifiées par l'usine et pour la main-d'œuvre pour corriger les vices de matériaux ou de fabrication qui existaient déjà lorsque ce gros appareil ménager a été acheté. S'il est remplacé, l'appareil sera couvert pour la période restant à courir de la garantie limitée d'un an du produit d'origine.

#### GARANTIE LIMITÉE DE LA DEUXIÈME À LA CINQUIÈME ANNÉE (CERTAINS COMPOSANTS UNIQUEMENT - MAIN-D'ŒUVRE NON COMPRISE)

De la deuxième à la cinquième année inclusivement à compter de la date d'achat initiale, lorsque ce gros appareil ménager est installé, utilisé et entretenu conformément aux instructions jointes au produit ou fournies avec, KitchenAid paiera pour les pièces de rechange spécifiées par l'usine concernant les composants suivants pour corriger les défauts non esthétiques de matériau ou de fabrication desdites pièces qui empêchent le gros appareil de fonctionner et qui étaient déjà présentes lorsque ce gros appareil ménager a été acheté. La présente garantie est une garantie limitée de 5 ans sur les pièces énumérées ci-dessous et elle ne comprend pas la main-d'œuvre de réparation.

- Éléments électriques
- Pièces du système de commande à semi-conducteurs

#### GARANTIE LIMITÉE DE LA DEUXIÈME À LA DIXIÈME ANNÉE (FOURS À MICRO-ONDES UNIQUEMENT)

De la deuxième à la dixième année inclusivement à compter de la date d'achat, lorsque ce gros appareil ménager est utilisé et entretenu conformément aux instructions jointes à ou fournies avec le produit, KitchenAid paiera les pièces spécifiées par le fabricant pour la cavité du four et la porte intérieure en acier inoxydable si la pièce rouille de part en part du fait de vices de matériaux et de fabrication.

LE SEUL ET EXCLUSIF RECOURS DU CLIENT DANS LE CADRE DE LA PRÉSENTE GARANTIE LIMITÉE CONSISTE EN LA RÉPARATION PRÉVUE PAR LA PRÉSENTE. Le service doit être fourni par une compagnie de service désignée par KitchenAid. Cette garantie limitée est valide uniquement aux États-Unis ou au Canada et s'applique exclusivement lorsque le gros appareil ménager est utilisé dans le pays où il a été acheté. La présente garantie limitée est valable à compter de la date d'achat initial par le consommateur. Une preuve de la date d'achat initial est exigée pour obtenir un dépannage dans le cadre de la présente garantie limitée.

### CE QUI N'EST PAS COUVERT

1. Usage commercial, non résidentiel ou par plusieurs familles, ou non-respect des instructions de l'utilisateur, de l'opérateur ou des instructions d'installation.
2. Visite d'instruction à domicile pour montrer à l'utilisateur comment utiliser l'appareil.
3. Visites de service pour rectifier une installation ou un entretien fautifs du produit, une installation non conforme aux codes d'électricité ou de plomberie, ou la rectification de l'installation électrique ou de la plomberie du domicile (ex : câblage électrique, fusibles ou tuyaux d'arrivée d'eau du domicile).
4. Pièces consommables (ex : ampoules, batteries, filtres à air ou à eau, etc.).
5. Défauts ou dommage résultant de l'utilisation de pièces ou accessoires Whirlpool non authentiques.
6. Conversion de votre produit du gaz naturel ou du gaz de pétrole liquéfié.
7. Dommages causés par : accident, mésusage, abus, incendie, inondations, catastrophe naturelle ou l'utilisation de produits non approuvés par KitchenAid.
8. Réparations aux pièces ou systèmes dans le but de rectifier un dommage ou des défauts résultant d'une réparation, altération ou modification non autorisée faite à l'appareil.
9. Défauts d'apparence, notamment les éraflures, traces de choc, fissures ou tout autre dommage subi par le fini de l'appareil ménager, à moins que ces dommages ne résultent de vices de matériaux ou de fabrication et ne soient signalés à KitchenAid dans les 30 jours suivant la date d'achat.
10. Décoloration, rouille ou oxydation des surfaces résultant d'environnements caustiques ou corrosifs incluant des concentrations élevées de sel, un haut degré d'humidité ou une exposition à des produits chimiques (exemples non exhaustifs).
11. Perte d'aliments due à la défaillance du produit.
12. Enlèvement ou livraison. Ce produit est conçu pour être réparé à l'intérieur du domicile.
13. Frais de déplacement et de transport pour le dépannage/la réparation dans une région éloignée où une compagnie de service KitchenAid autorisée n'est pas disponible.
14. Retrait ou réinstallation d'appareils inaccessibles ou de dispositifs préinstallés (ex : garnitures, panneaux décoratifs, plancher, meubles, îlots de cuisine, plans de travail, panneaux de gypse, etc.) qui entravent le dépannage, le retrait ou le remplacement du produit.
15. Service et pièces pour des appareils dont les numéros de série et de modèle originaux ont été enlevés, modifiés ou ne peuvent pas être facilement identifiés.

**Le coût d'une réparation ou d'un remplacement dans le cadre de ces circonstances exclues est à la charge du client.**

---

**CLAUSE D'EXONÉRATION DE RESPONSABILITÉ AU TITRE DES GARANTIES IMPLICITES**

LES GARANTIES IMPLICITES, Y COMPRIS LES GARANTIES APPLICABLES DE QUALITÉ MARCHANDE OU D'APTITUDE À UN USAGE PARTICULIER, SONT LIMITÉES À UN AN OU À LA PLUS COURTE PÉRIODE AUTORISÉE PAR LA LOI. Certains États et provinces ne permettent pas de limitation sur la durée des garanties implicites de qualité marchande ou d'aptitude à un usage particulier, de sorte que la limitation ci-dessus peut ne pas être applicable dans votre cas. Cette garantie vous confère des droits juridiques spécifiques et vous pouvez également jouir d'autres droits qui peuvent varier d'une juridiction à l'autre.

---

**EXONÉRATION DE RESPONSABILITÉ DANS LES DOMAINES NON COUVERTS PAR LA GARANTIE**

KitchenAid décline toute responsabilité au titre de la qualité, de la durabilité ou en cas de dépannage ou de réparation nécessaire sur ce gros appareil ménager autre que les responsabilités énoncées dans la présente garantie. Si vous souhaitez une garantie plus étendue ou plus complète que la garantie limitée fournie avec ce gros appareil ménager, adressez-vous à KitchenAid ou à votre détaillant pour obtenir les modalités d'achat d'une garantie étendue.

---

**LIMITATION DES RECOURS; EXCLUSION DES DOMMAGES FORTUITS OU INDIRECTS**

LE SEUL ET EXCLUSIF RECOURS DU CLIENT DANS LE CADRE DE LA PRÉSENTE GARANTIE LIMITÉE CONSISTE EN LA RÉPARATION PRÉVUE PAR LA PRÉSENTE. KITCHENAID N'ASSUME AUCUNE RESPONSABILITÉ POUR LES DOMMAGES FORTUITS OU INDIRECTS. Certains États et certaines provinces ne permettent pas l'exclusion ou la limitation des dommages fortuits ou indirects de sorte que ces limitations et exclusions peuvent ne pas être applicables dans votre cas. Cette garantie vous confère des droits juridiques spécifiques et vous pouvez également jouir d'autres droits qui peuvent varier d'une juridiction à l'autre.

---

