

UP167F CAPTAINS CHAIR (FOOTING) UP167I CAPTAINS CHAIR (IN GROUND) UP167S CAPTAINS CHAIR (SURFACE)

Parts List				
DESCRIPTION	UP167F (FOOTING)	UP167I (IN-GROUND)	UP167S (SURFACE)	PART NUMBER
CAPTAINS CHAIR	1	1	1	206523
BASE COVER	1	1	1	206699
FOOTBUCK WELD ASS'Y	0	1	0	206467
HARDWARE COMPLETE	0	0	1	206517
HARDWARE COMPLETE	1	0	0	206518
HARDWARE COMPLETE	0	1	0	206519
1/2" ANCHOR ROD	0	2	0	135038*
3/4" x 2" HEX HEAD CAP SCREW	0	4	0	801533*
3/4" WEDGE ANCHOR	0	0	4	206358*
3/4" ANCHOR BOLT	4	0	0	800001*
3/4" HEX NUT	8	4	0	804058*
3/4" FLATWASHER (2" O.D.)	8	4	0	817420*
3/4" LOCKWASHER	4	4	4	817354*

Unless Otherwise Specified, All Units of Measure are Each

Items listed below Hardware Complete line are included with Hardware Complete Number

Warning: During Installation, Hardware And Small Parts Are Choking Hazards For Young Children. Store Unused Parts Appropriately Until Assembly Is Completed. Once Assembly Is Completed, Remove Any Unused Parts From The Play Environment And Dispose/Save Them In A Secure Location. Any bolt end protruding more than two full threads beyond the face of the nut causes risk of clothing entanglement.

Promptly cut-off flush, file smooth, and treat to prevent corrosion.

Note: Peen Tee-Nuts and Flatwashers to match radius of pipe after assembly is complete.

Note: Loctite (supplied by others) should be used on any non-patch hardware.

SPECIFICATIONS:

BASE COVER: The Base Cover shall be constructed from aluminum and powder coated.

CUSHION: The Cushion shall be injection molded polyurethane.

HANDLE GRIP: The Handle Grip shall be constructed from injection molded PVC.

INSTRUCTIONS: The Instructions shall be constructed from aluminum produced by silk-screen printing.

MAIN PIPE: The main frame shall be an all welded assembly fabricated from SPP (carbon steel pipe) and dual phase steel plate. The frame shall be powder coated.

POST CAP: The Post Cap shall be constructed from injection molded Polyethylene.

HARDWARE: All nuts, bolts, screws, and lock washers used in the assembly shall be stainless steel, yellow dichromate plated steel, blue-coat plated steel, mechanically galvanized or powder coated/yellow dichromate plated steel. All primary fasteners shall be 304 alloy stainless steel. Fasteners with yellow dichromate treatment have an electro-deposited, 99.9% pure zinc substrate applied from a specially formulated solution sealed with a yellow dichromate top coat designed to work in conjunction with the zinc plating.

UP167F CAPTAINS CHAIR (FOOTING) UP167I CAPTAINS CHAIR (IN GROUND) UP167S CAPTAINS CHAIR (SURFACE)

NOTE: Do not overtighten bolts. To overtighten may cause buckling or dimpling of some parts.

NOTE: Read installation instructions thoroughly before starting assembly. Pour concrete only after final assembly is completed. Bracing material is required during assembly.

NOTE: Assembly and leveling times will be greatly reduced if a transit is used to set location and depth of ground holes.

INSTALLATION INSTRUCTIONS FOR UP167F (FOOTING):

1. Dig holes or drill holes according to Plan View and Elevation View. **NOTE:** Due to extremes in weather and soil conditions, hole size may have to be increased to meet local conditions.
2. Fill hole with concrete. While the concrete is still soft, yet firm enough to support the Captains Chair, Place (4) Anchor Bolts of the Captains Chair in position. See Footing Detail. **NOTE:** Use Captains Chair as a template for Anchor Bolt location, then remove Captains Chair.

IMPORTANT: DO NOT MOUNT THE CAPTAINS CHAIR TO THE ANCHOR BOLTS FOR AT LEAST 7 DAYS.

3. After concrete has cured and set for a minimum of 7 days, attach Captains Chair to 3/4" Anchor Bolt using 3/4" Flat Washer (2" O.D.), 3/4" Lock Washer, and 3/4" Hex Nut. See Footing Assembly Detail.
4. Attach Base Cover to Equipment Post using Base Cover Nut and Base Cover Bolt included with Base Cover. See Base Cover Detail.

INSTALLATION INSTRUCTIONS FOR UP167I (IN-GROUND):

1. Dig holes or drill holes according to Plan View and Elevation View. **NOTE:** Due to extremes in weather and soil conditions, hole size may have to be increased to meet local conditions.
2. Attach the Footbuck Weld Assembly to the Captains Chair using 3/4" Hex Nut, 3/4" Lock Washer, 3/4" Flat Washer (2" O.D.), 3/4" x 2" Hex Head Cap Screw. See In-Ground Assembly Detail.
3. Place Captains Chair into holes making sure it rests on the brick. See In-Ground Detail.
4. Level Captains Chair using sway bracing.
5. Pour concrete according to the Plan View and Elevation View. Allow concrete to cure for a minimum of 7 days.
6. Attach Base Cover to Equipment Post using Base Cover Detail.

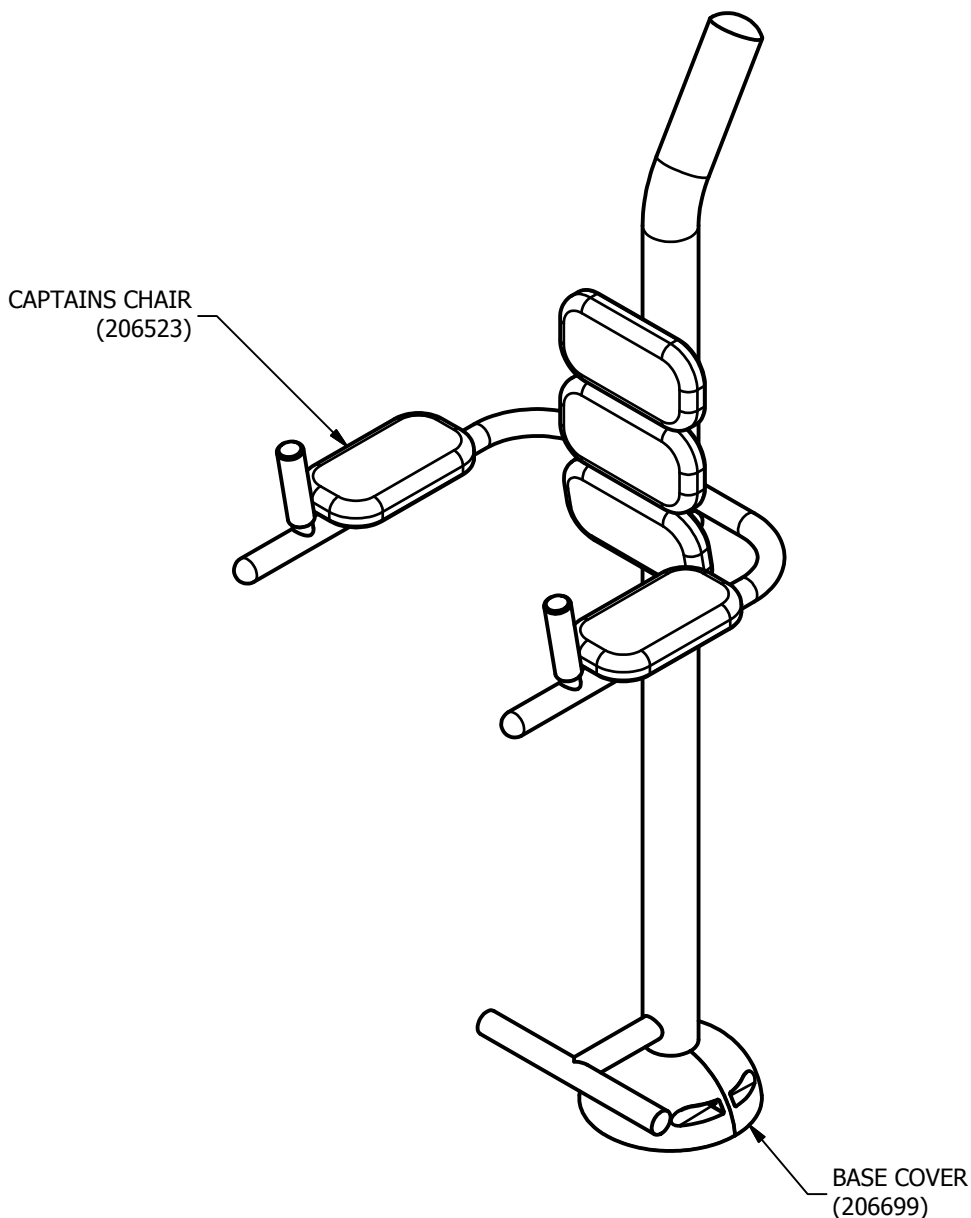
INSTALLATION INSTRUCTIONS FOR UP167S (SURFACING):

1. Mark correct location of holes for Wedge Anchors using the Base Plate as a guide.
2. Drill 3/4" x 2 1/2" hole in concrete for Wedge Anchor. See Surface Assembly Detail.
3. Insert Wedge Anchors and secure with 3/4" Flat Washers (2" O.D.), 3/4" Lock Washer, and 3/4" Hex Nut. See Surface Assembly Detail.
4. Attach Base Cover to Equipment Post using Base Cover Detail.

UP167F CAPTAINS CHAIR (FOOTING) UP167I CAPTAINS CHAIR (IN GROUND) UP167S CAPTAINS CHAIR (SURFACE)

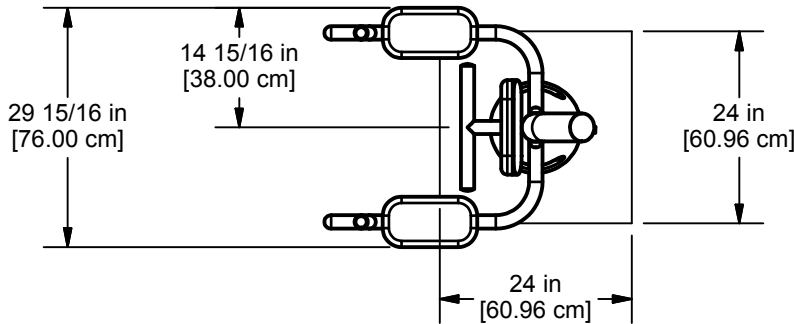
MAINTENANCE PROCEDURE:

Periodically check hardware for tightness, and tighten as necessary. Always check all parts for breakage or wear, and immediately put equipment out of service until any faulty parts found are repaired or replaced. Also Check all metal parts for rust, paint loss and touch-up if necessary with paint. Check for welded areas and verify integrity. Check periodically resilient surfacing for appropriate depth and remove extraneous materials that could cause injury, infection, or disease. Maintain detailed installation, inspection, maintenance, and repair records for each public-use playground equipment.



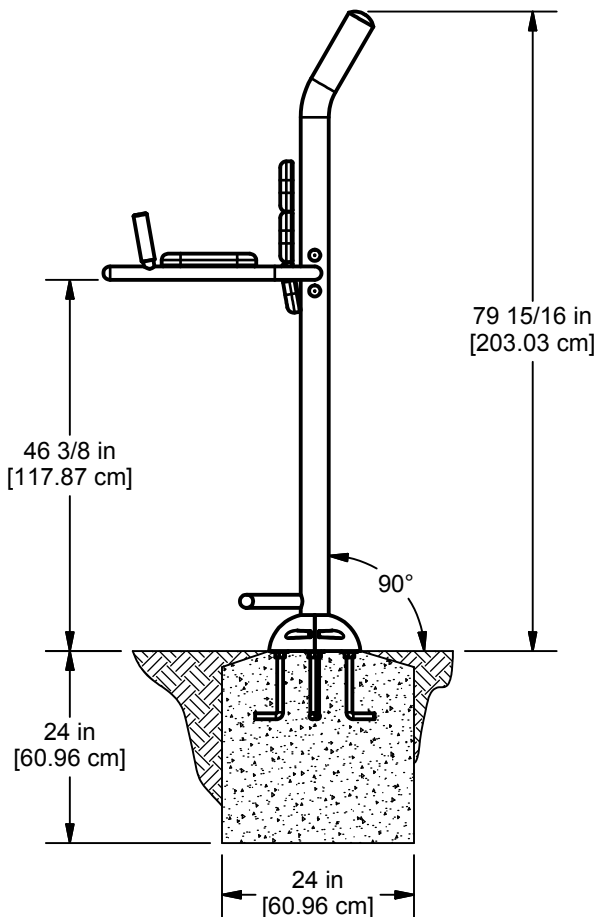
FINISHED ASSEMBLY

**UP167F CAPTAINS CHAIR (FOOTING)
UP167I CAPTAINS CHAIR (IN GROUND)
UP167S CAPTAINS CHAIR (SURFACE)**



PLAN VIEW

UP167F (FOOTING)



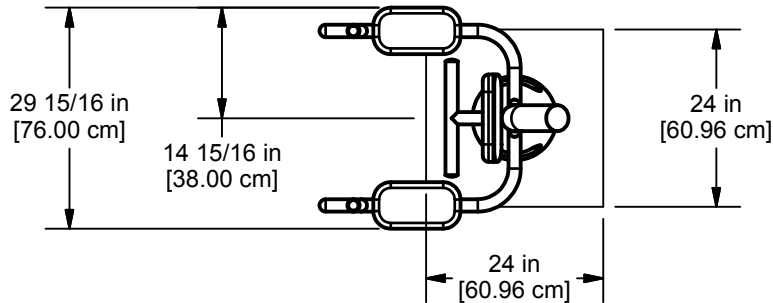
ELEVATION VIEW

UP167F (FOOTING)

Issued/Revised: 08/29/13

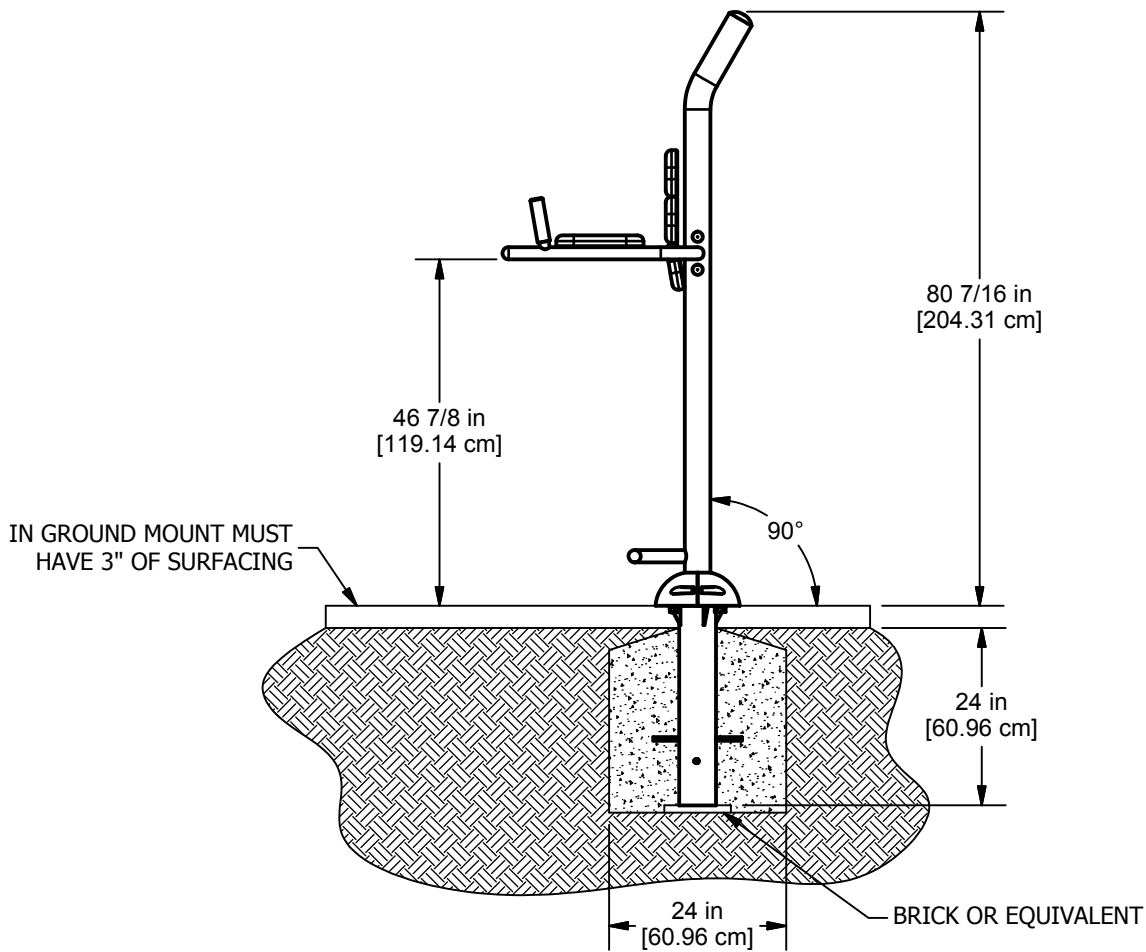


UP167F CAPTAINS CHAIR (FOOTING)
UP167I CAPTAINS CHAIR (IN GROUND)
UP167S CAPTAINS CHAIR (SURFACE)



PLAN VIEW

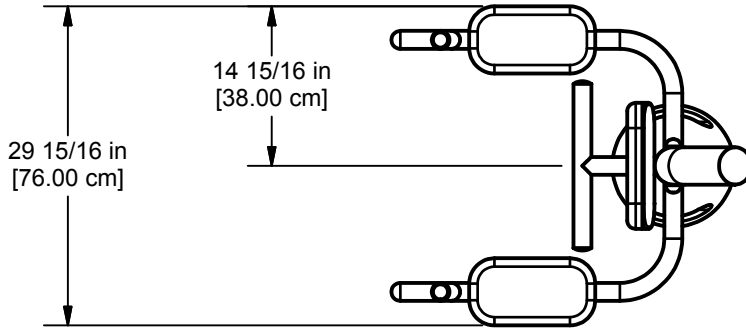
UP167I (IN GROUND)



ELEVATION VIEW

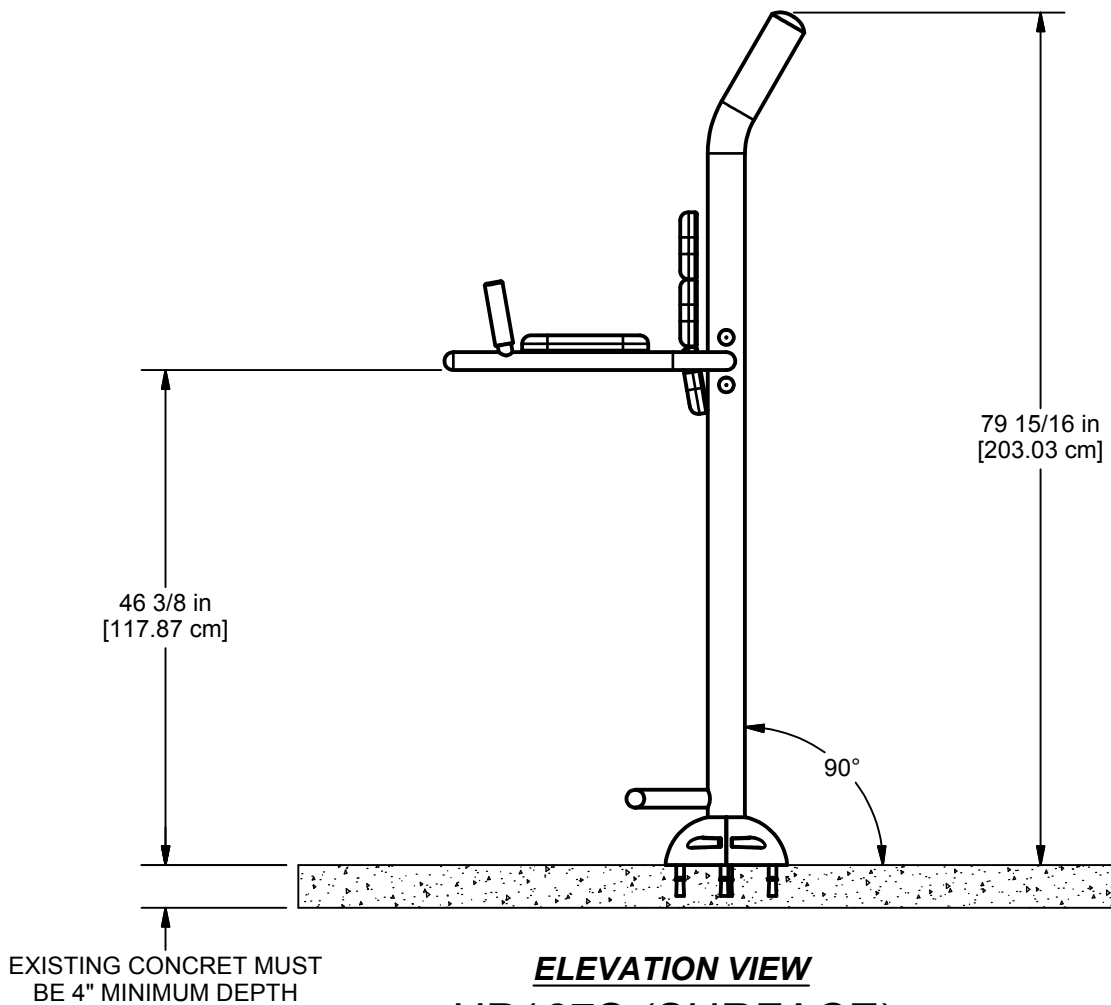
UP167I (IN GROUND)

**UP167F CAPTAINS CHAIR (FOOTING)
UP167I CAPTAINS CHAIR (IN GROUND)
UP167S CAPTAINS CHAIR (SURFACE)**



PLAN VIEW

UP167S (SURFACE)

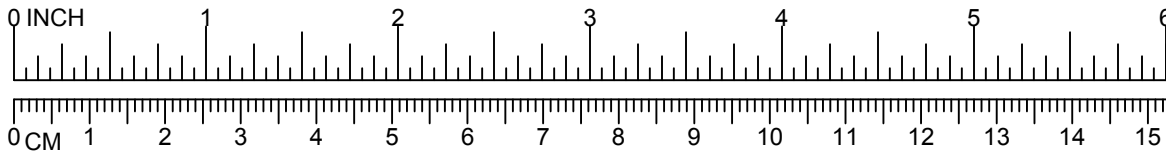


ELEVATION VIEW

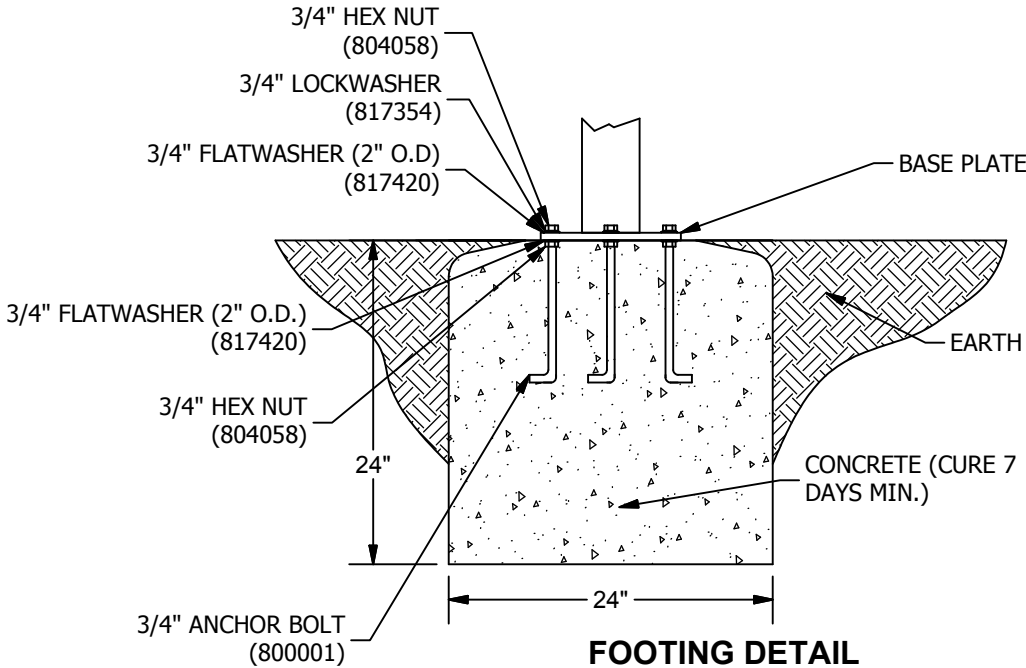
UP167S (SURFACE)

Issued/Revised: 08/29/13





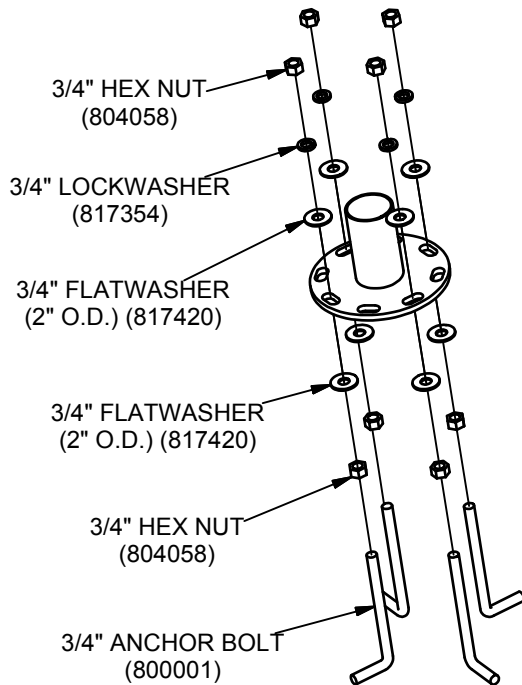
**UP167F CAPTAINS CHAIR (FOOTING)
 UP167I CAPTAINS CHAIR (IN GROUND)
 UP167S CAPTAINS CHAIR (SURFACE)**



CONCRETE REQUIRED:
 .23 CUBIC YARDS
 .18 CUBIC METERS

NOTE:
 -SLOPED FOOTING IS A REQUIREMENT OF EUROPEAN STANDARD EN1176-1 ONLY.
 -SUGGESTED MINIMUM CONCRETE RATING 3000 PSI

**FOOTING DETAIL
 UP167F (FOOTING)**

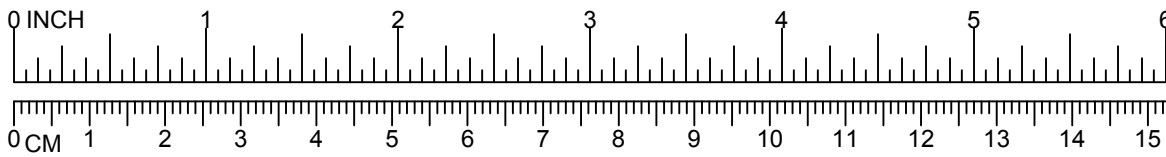


**FOOTING ASSEMBLY DETAIL
 UP167F (FOOTING)**

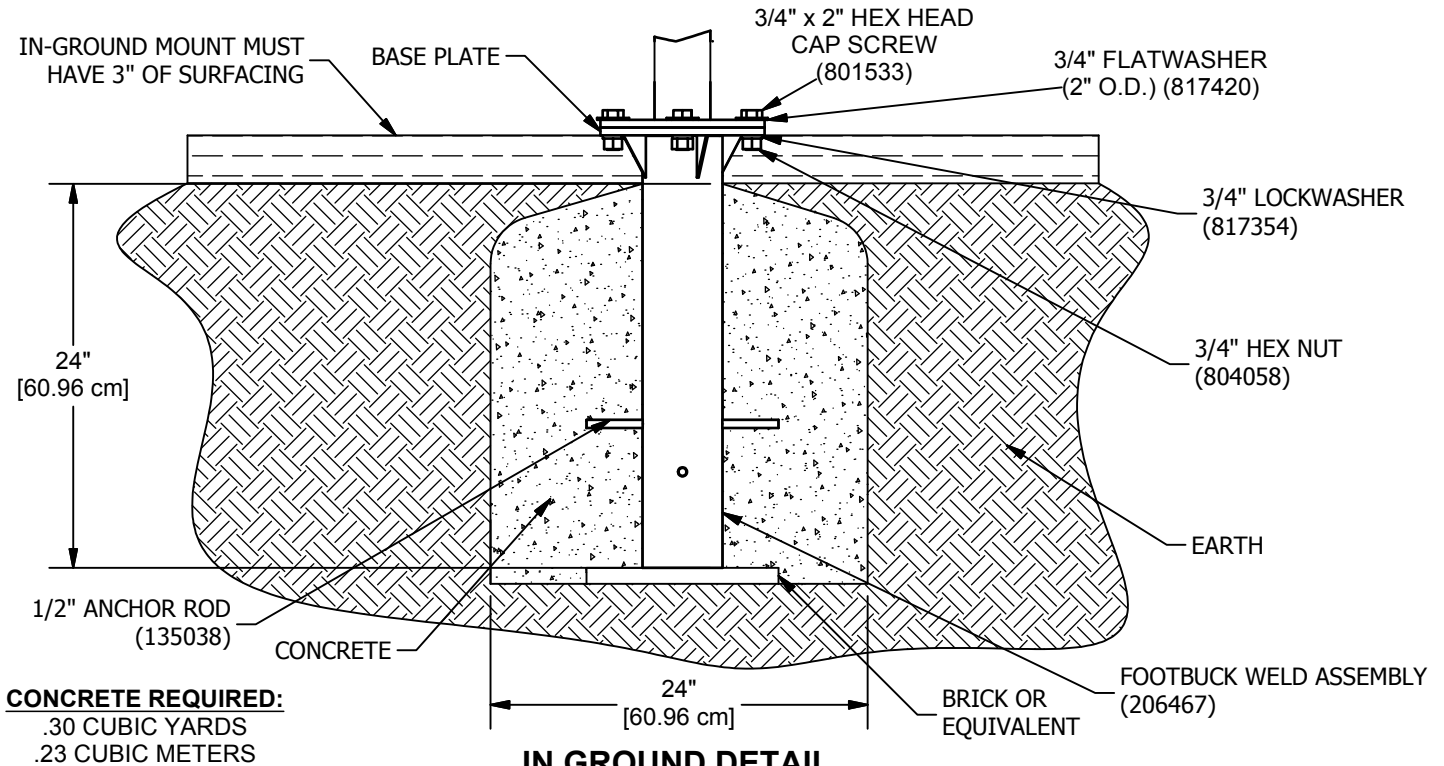
Issued/Revised: 08/29/13



A PLAYCORE Company

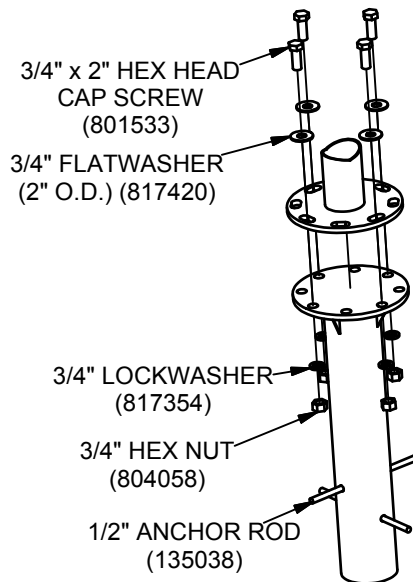


**UP167F CAPTAINS CHAIR (FOOTING)
 UP167I CAPTAINS CHAIR (IN GROUND)
 UP167S CAPTAINS CHAIR (SURFACE)**



**IN GROUND DETAIL
 UP167I (IN GROUND)**

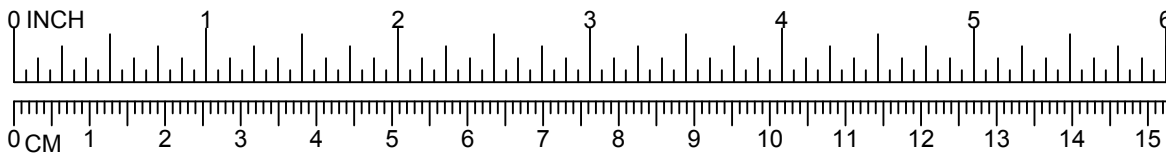
NOTE:
 -SLOPED FOOTING IS A REQUIREMENT OF EUROPEAN STANDARD EN1176-1 ONLY.
 -SUGGESTED MINIMUM CONCRETE RATING 3000 PSI.



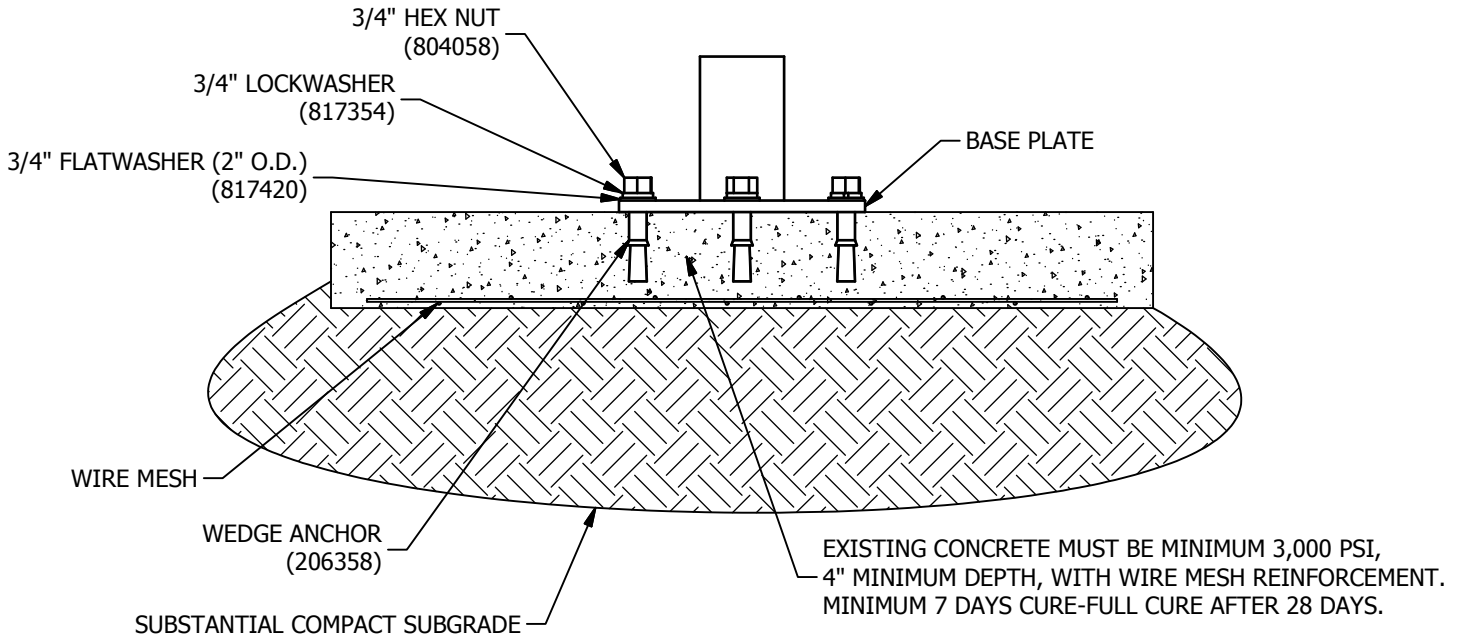
**IN GROUND ASSEMBLY DETAIL
 UP167I (IN GROUND)**

Issued/Revised: 08/29/13

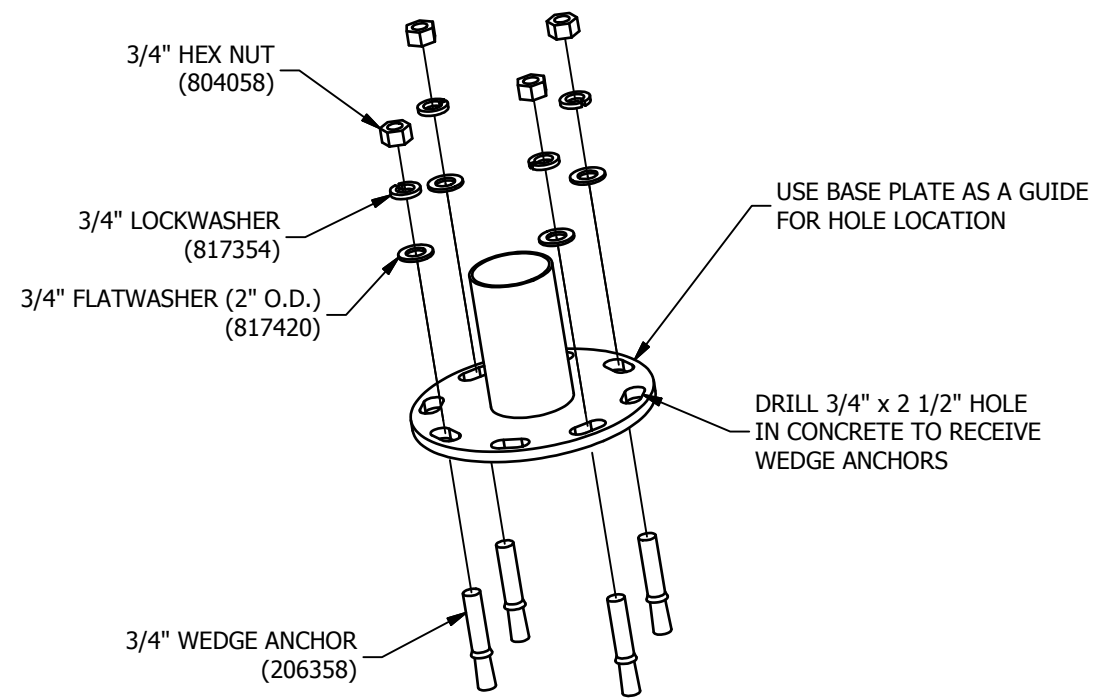




**UP167F CAPTAINS CHAIR (FOOTING)
 UP167I CAPTAINS CHAIR (IN GROUND)
 UP167S CAPTAINS CHAIR (SURFACE)**



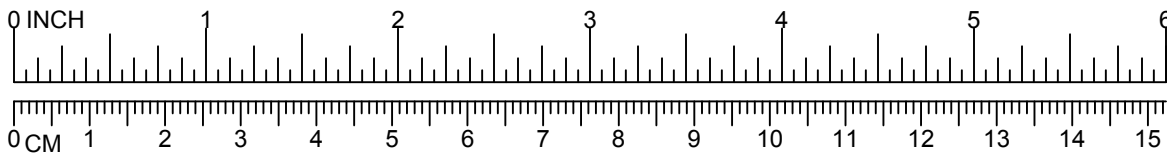
**SURFACE DETAIL
 UP167S (SURFACE)**



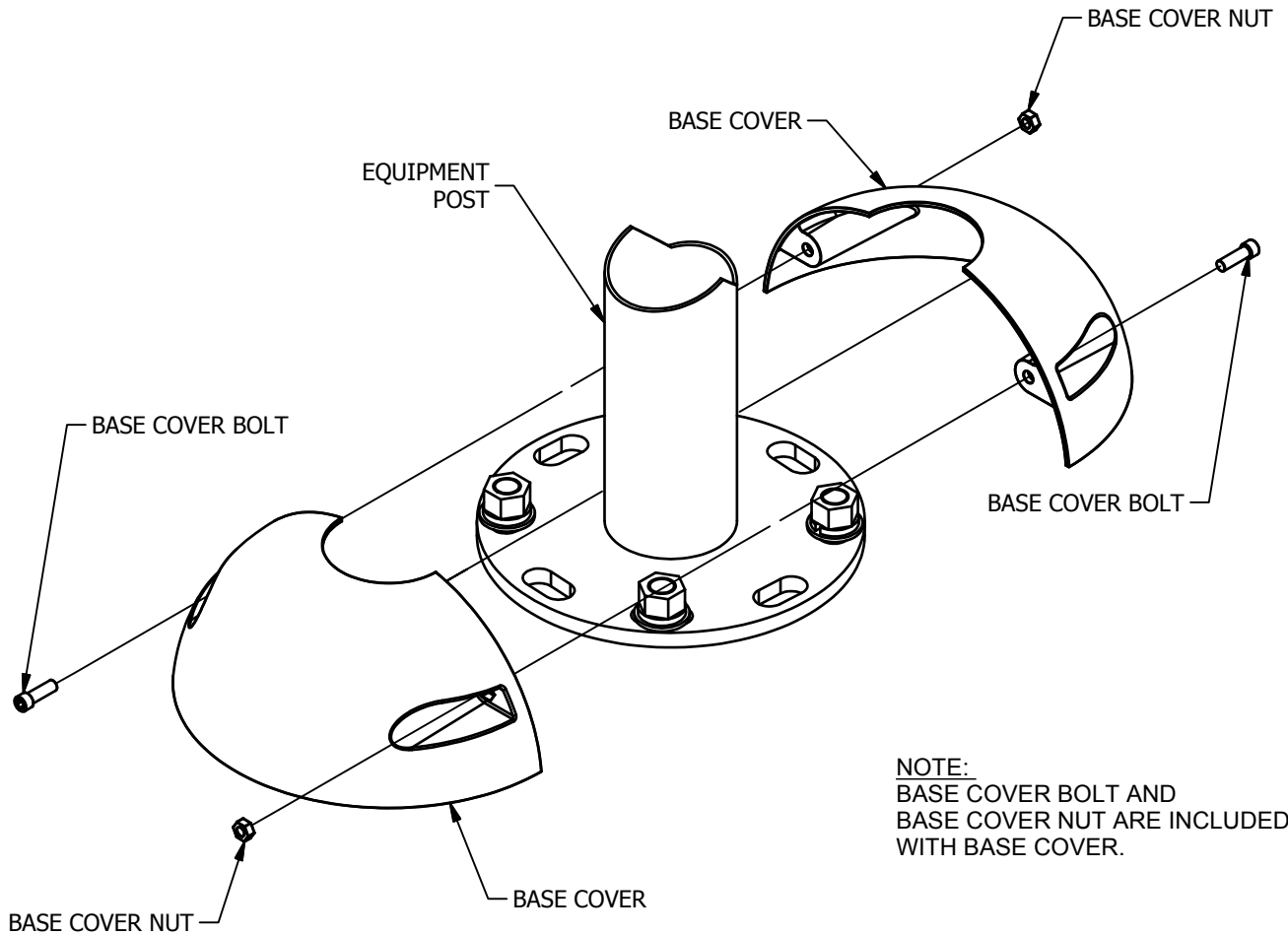
**SURFACE ASSEMBLY DETAIL
 UP167S (SURFACE)**

Issued/Revised: 08/29/13





**UP167F CAPTAINS CHAIR (FOOTING)
UP167I CAPTAINS CHAIR (IN GROUND)
UP167S CAPTAINS CHAIR (SURFACE)**



NOTE:
BASE COVER BOLT AND
BASE COVER NUT ARE INCLUDED
WITH BASE COVER.

BASE COVER DETAIL