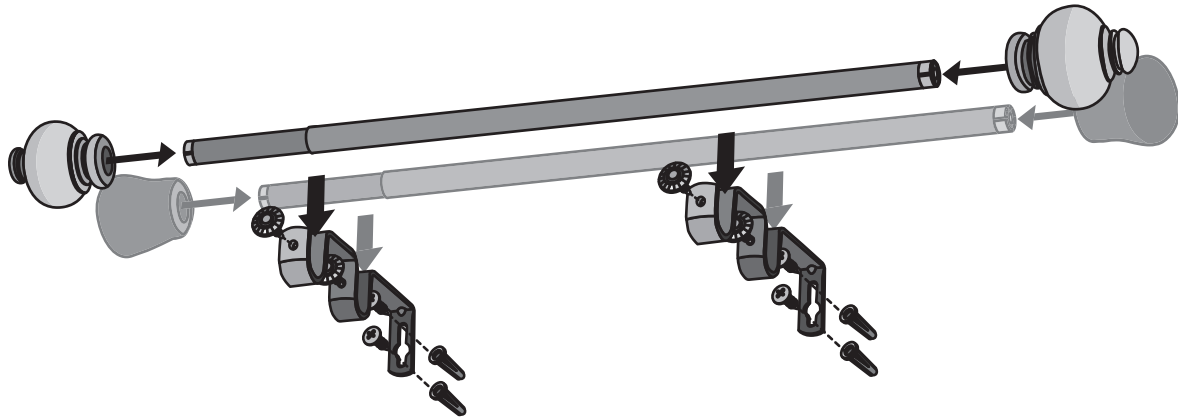
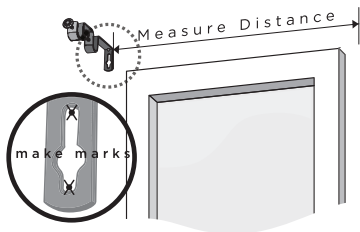


INSTALLATION INSTRUCTIONS FOR ROD SET

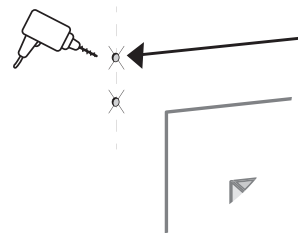
NOTE: Finial shown is for illustration purpose only. It may not represent the style of finial purchased.



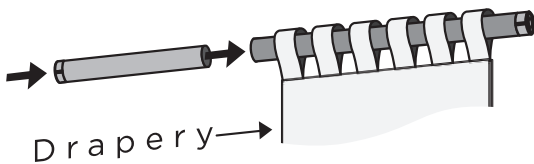
- 1** Place brackets against wall at desired locations. Mark screw holes with pencil. Be sure marks are level across opening.



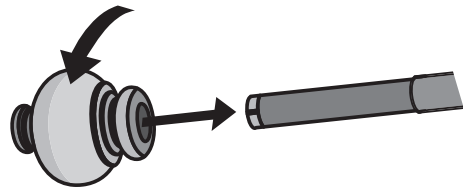
- 2** If screws are going directly into wood trim or wall studs, drill a 1/8" pilot hole at pencil marks. If screwing into drywall, follow drywall anchor instruction in the bottom of the page.



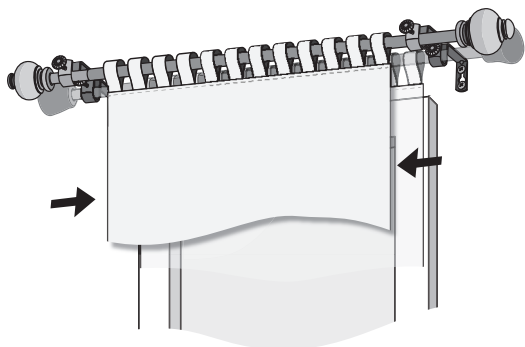
- 3** Assemble rod and sheer drapery treatment onto rod.



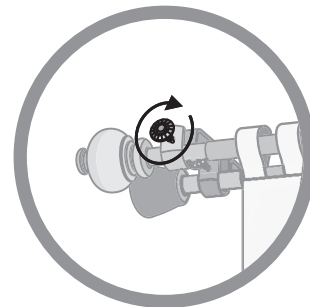
- 4** Screw finials onto rod. Rotate finial on rod for proper alignment if required.



- 5** Extend rod to desired width. Lift rod with drapery and drop into brackets. Adjust draperies to desired position.



- 6** Lock rods into position by tightening leveling screw by hand until finger tight. This will prevent the rod from moving.



DRYWALL ANCHOR INSTALLATION



If screws are going directly into wood trim or wall studs - drill 1/8" (3mm) holes and install screws through bracket. If screws are going into hollow wall - drill 3/16" (5mm) holes and push or lightly hammer plastic anchors into holes. Then install screws through brackets. Do not tighten screws too much - just snug is best.