

10x10 Round Post Louvered Pergola



ASSEMBLY GUIDE

Model:
Preston

New England
Arbors
Leadership by Design

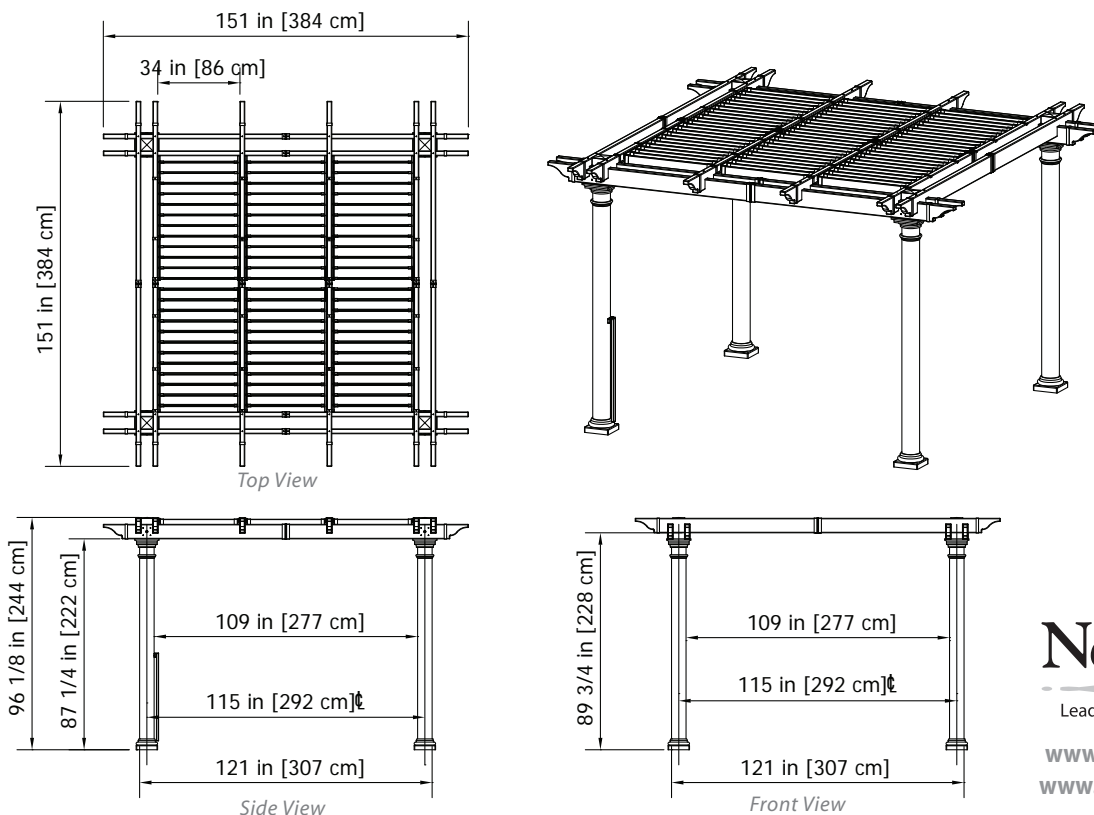
www.newenglandarbors.com
www.newenglandarbors.co.uk

Table of Contents

10 x 10 Round Post Louvered Pergola

PAGE

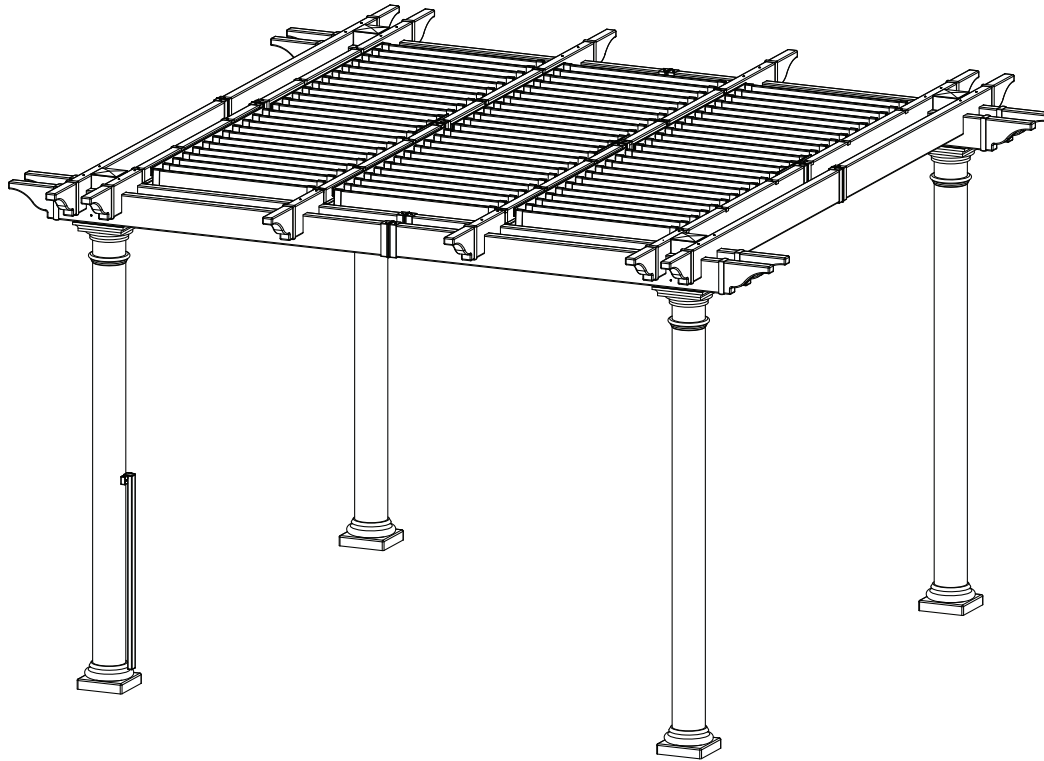
Introduction & Overview.....	3
Pergola Materials Overview.....	4
Pergola Materials Breakdown.....	5
Pergola Additional Materials List.....	6
Wood Post Layout & Installation for In-Ground Application.....	7
Wood Post Layout & Installation using Round Post Brackets for Concrete or Wood Surface	8
Wood Post Installation using Round Post Brackets onto a wood deck with an accessible underside	10
Vinyl Column Assembly and Installation Over Wood Posts.....	12
Main Support Beam Assembly.....	13
Rafter Assembly.....	14
Main Support Beams & Rafter Placement.....	16
Louver Assembly	18
Turn Bar Holder Installation	23
Operations	24
Modification	25



New England Arbors
Leadership by Design

www.newenglandarbors.com
www.newenglandarbors.co.uk

Introduction & Overview



Getting Started

First off, allow us to say thank you for the investment you have made in one of our fine pergola kits. This kit is designed to be assembled and installed ideally by two people with basic carpentry knowledge and tools. Do not attempt alone, especially during the installation stage. Should you decide to moderately modify the dimensions of your pergola from the standard kit size, a circular saw with a sharp fine-tooth blade is all that is needed to cut, shorten or modify the vinyl components. When assembling components place on a non-abrasive surface (ie: shipping box) to avoid scratching. We recommend a 15' x 15' area for unobstructed assembling. You should not need to use excessive force when assembling any components.

Planning & Preparing

The Preston Pergola is made to stand independent of your home and you can either locate it near your house or let it stand alone in the garden. By keeping it unattached from your home you will not have to deal with moving existing gutters or matching eave heights. If you plan to build your pergola close to the house, please keep the outer extremities of the pergola a minimum of 4 inches back from your eaves.

What looks like the toughest part of this project is actually the easiest, the graceful, solid-looking columns. We've designed these columns to simply be slipped over treated 4x4 wood posts that are either embedded in concrete or directly mounted to a concrete or wood surface using our mounting bracket kit. See pages 7, 8 and 9 for more details.

It is critical before you start that you consider the current slope of elevation where the pergola is planned - if there is any. Also utility or sprinkler line location is important to identify prior to excavating holes if necessary. You should also check to verify local building codes, ordinances, neighbourhood covenants, or height restrictions regarding this type of structure.

Restriction of Use

*This product **is not** designed to carry additional weight loads such as swings, people or other objects.*

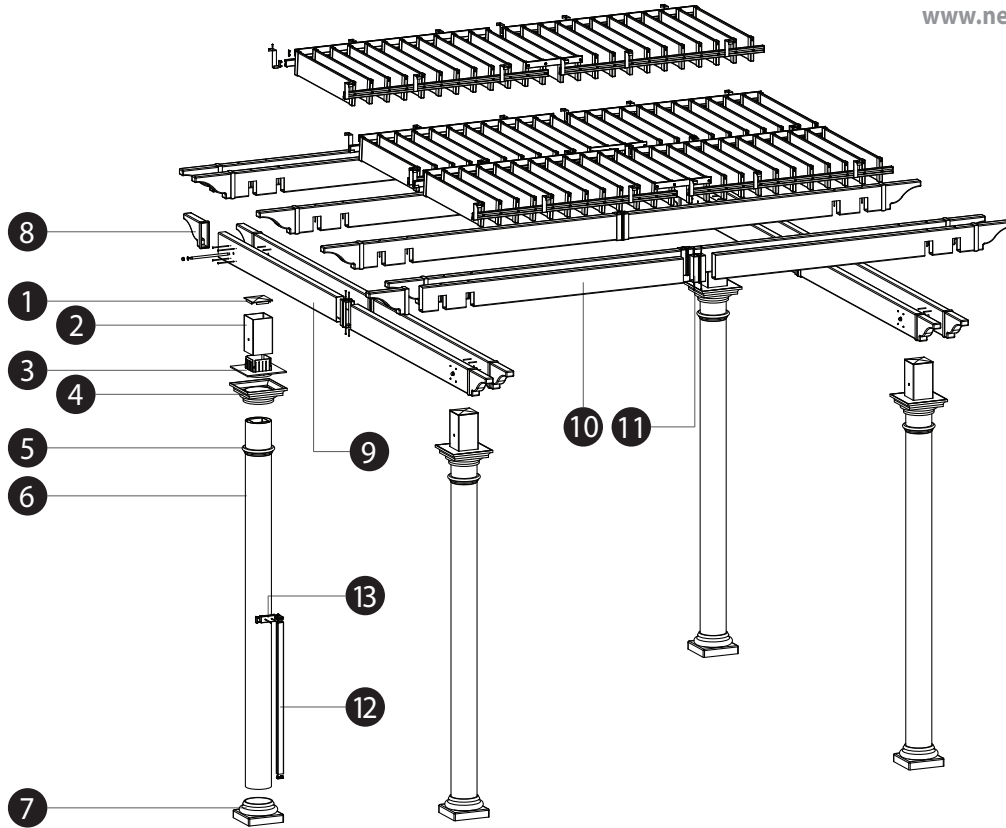
Please take the time to read this instruction guide thoroughly prior to the construction of your pergola. If you have any questions, feel free to contact our technical dept by calling 1 800 282 9346, (Mon to Fri 8:00 A.M to 4:00 P.M. EST).

UK Tel:(44) 2038 687160 - (Mon. to Fri. 1:00 PM to 10:00 PM GMT).

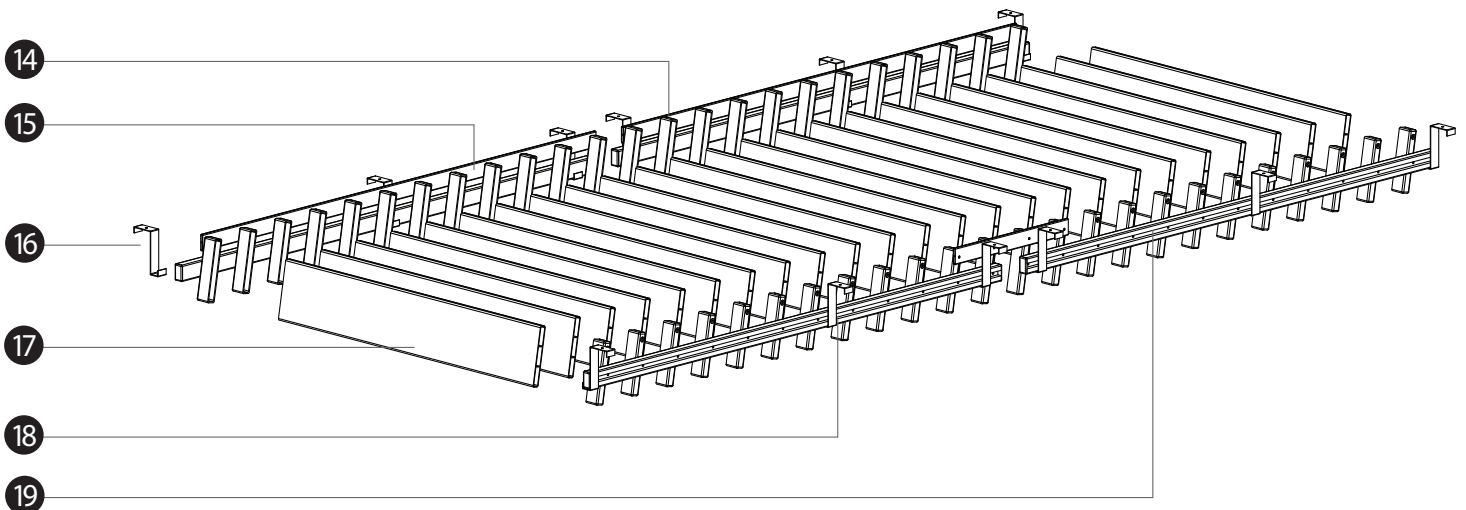
New England
Arbors
Leadership by Design

www.newenglandarbors.com
www.newenglandarbors.co.uk

Pergola Materials Overview



- | | |
|---|---|
| <ul style="list-style-type: none"> 1. Post Caps (4) - 10095 2. Main Column Tops (4) - 11142 3. Round Post Adapter (4) - 11143 4. Round Post Top Trim (4) - 11136 5. Round Post Trim (4) - 11138 6. Main Column Bottoms (4) - 11144 7. Round Post Base Trim (4) - 11139 8. Rafter & Beam Decorative End Caps (20) - 10829 9. Main Support Beams (8) - 10931 10. Rafters (12) - 10934 | <ul style="list-style-type: none"> 11. Beam & Rafter Joiners (10) - 10820 12. Louver Turn Bar (1) - 10935 13. Round Post Louver Turn Bar Holder (1) - 60081 - Found in Box 8 14. Pre-assembled Louver Bars (Right) - With Long Louver Bar (3) - 10936 15. Pre-assembled Louver Bars (Left) - With Long Louver Bar (3) - 10945 16. Steel Holder Brackets (36) - 10937 17. Louver Boards (72) - 10938 18. Pre-assembled Louver Bars - With Short Louver Bar (3) - 10939 19. Pre-assembled Louver Bars - With No Louver Bar (3) - 10940 |
|---|---|

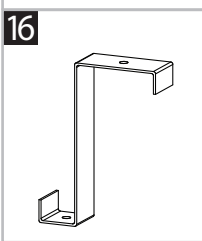
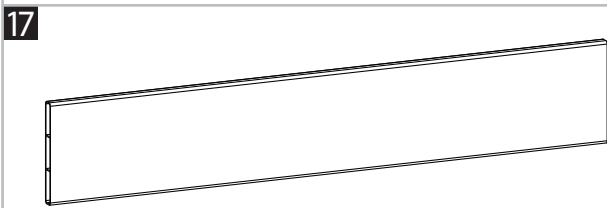
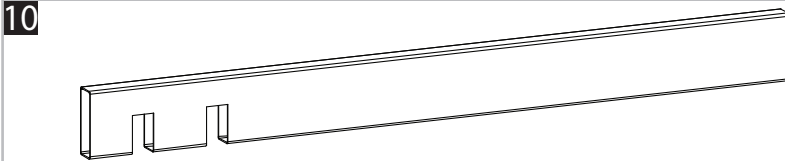
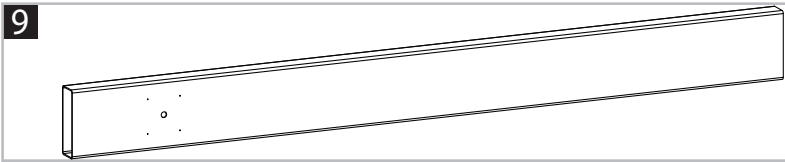
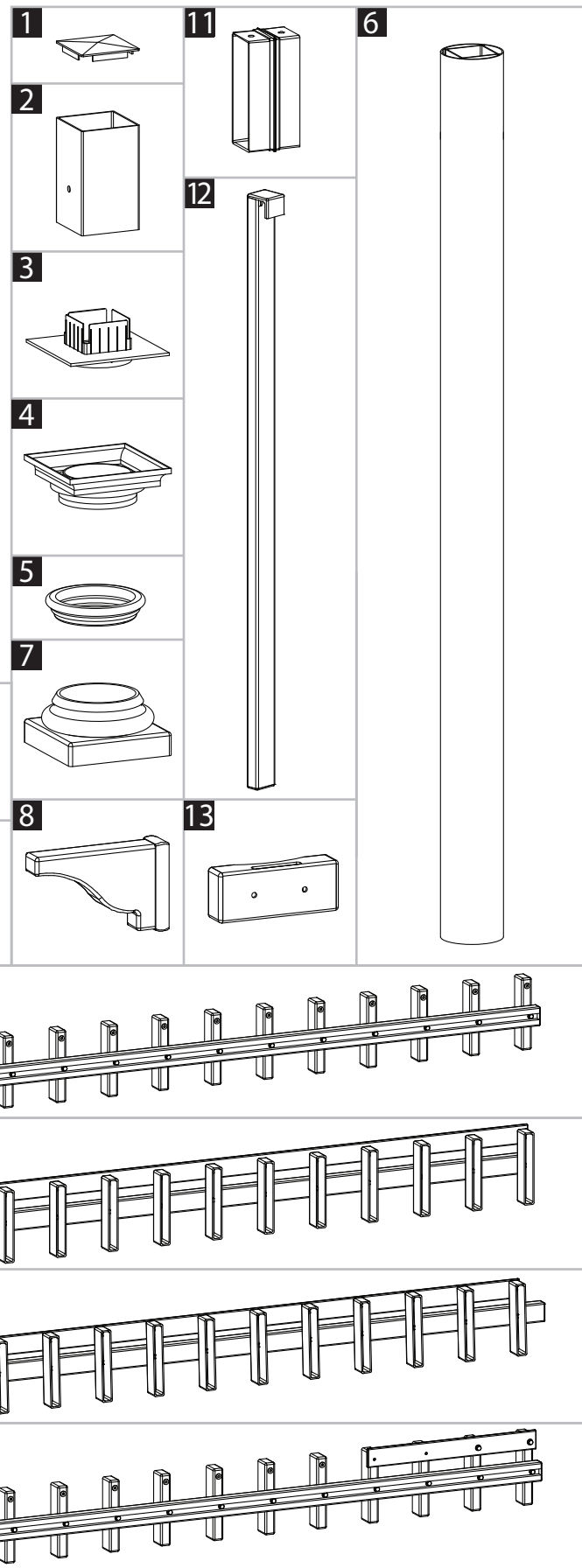


Pergola Materials Breakdown

Check Boxes (Total of 8) for These Contents

In the event of missing or defective parts please call our customer service dept. at **1 800 282 9346** (Mon. to Fri. 8:00 AM to 4:00 PM EST)
(UK Tel: **(44) 2038 687160** - Mon to Fri. 1:00 PM to 10:00 PM GMT).

1. Post Caps (4) - 10095
2. Main Column Tops (4) - 11142
3. Round Post Adapter (4) - 11143
4. Round Post Top Trim (4) - 11136
5. Round Post Trim (4) - 11138
6. Main Column Bottoms (4) - 11144
7. Round Post Base Trim (4) - 11139
8. Rafter & Beam Decorative End Caps (20) - 10829
9. Main Support Beams (8) - 10931
10. Rafters (12) - 10934
11. Beam & Rafter Joiners (10) - 10820
12. Louver Turn Bar (1) - 10935
13. Round Post Louver Turn Bar Holder (1) - 60081- Found in Box 8
14. Pre-assembled Louver Bars (Right) - With Long Louver Bar (3) - 10936
15. Pre-assembled Louver Bars (Left) - With Long Louver Bar (3) - 10945
16. Steel Holder Brackets (36) - 10937
17. Louver Boards (72) - 10938
18. Pre-assembled Louver Bars - With Short Louver Bar (3) - 10939
19. Pre-assembled Louver Bars - With No Louver Bar (3) - 10940



Note the distance to the first louver bracket

Not to Scale

Tools You Will Need

- Level
 - Hammer
 - Tape Measure
 - String Line & Wood Stakes (4)
 - Step Ladders (2)
 - Jigsaw & Radial Arm Saw
 - Cordless Drill with #2 Phillips Bit & 1/2" (13mm) Drill Bit
- If Surface-Mounting Pergola To Concrete or Deck using Mounting Brackets:
- Ratchet & 1/2" (13mm) Socket
 - 1/16" (2mm) Drill Bit
 - 3/16" (5mm) Drill Bit

Pergola Additional Materials List

Hardware *(in plastic bag)*

All Screws Included with this Kit are Self-Auguring.

- A. Tube of Vinyl Weld Glue (2) - 20000
- B. 5/8" (16mm) Stainless Steel Screws (72) - 20016 (to lock Louver Assembly to Steel Holder Brackets)
- C. 5/8" (16mm) Stainless Steel Screws (16) - 20016 (to lock the Round Post Adapter to the Posts)
- D. 1 1/2" (38mm) Stainless Steel Screws (40) - 20005 - (for Beam and Rafter Joiners)
- E. 2 1/2" (64mm) Stainless Steel Screws (2) - 20009-1 - (to fasten Turn Bar Holder to post)
- F. 2 1/2" (64mm) Stainless Steel Screws (16) - 20006 - (to lock Columns to Wood Posts)
- G. 4" (102mm) Stainless Steel Screws (72) - 20006 - (to lock Rafters, Beams, & Columns)
- H. 9" (229mm) Stainless Steel Bolt Assembly with Nuts and Washers (4) - 20035 - (to lock the Column Tops and Beams together)

Extra Materials You will Need

(Purchase separately from www.newenglandarbors.com or retailer of our products)

If Mounting Pergola on Concrete or Wood Deck

- I. 4x4x8 (10x10x250cm) Pressure-Treated Wood Posts, cut down to 94" (239cm) (4) *(purchase at local building center)*

IMPORTANT NOTE

Most commercially available pressure treated 4x4 posts are milled to 3 1/2" x 3 1/2" (8.9x8.9cm).

The wood posts cannot exceed 3 5/8" x 3 5/8" (9.2x9.2cm) square in order to fit inside the round post inner channels.

- J. Round Post Bracket Kit *(purchase from www.newenglandarbors.com or a retailer of our products)*

Included in the Round Post Bracket Kit:

- Galvanized Steel Brackets (4)
- #8 x 1 1/2" (4x38mm) Wood Screws (4)
- 5/16 x 3" (8x76.2mm) Lag Screws (12)

Refer to the Bracket Kit instructions for hardware requirements, as they pertain to your application:

If mounting pergola onto an existing concrete surface:

- 3/8" x 3" (6x76.2mm) Concrete Sleeve Anchors - (16)
- 5/16" (8mm) Concrete drill bit. Minimum 3" (76mm) long (1)

If mounting pergola onto a wooden/composite deck:

- 5/16" x 7" (8x76.2mm) Lag Bolts (16) (Bolt length depends on thickness of deck)
- 5/16" (8mm) Washers (32)
- 9/64" (3.5mm) Wood drill bit. Minimum 3" (76mm) long (1)

If mounting pergola onto a wooden/composite deck with AN ACCESSIBLE UNDERSIDE:

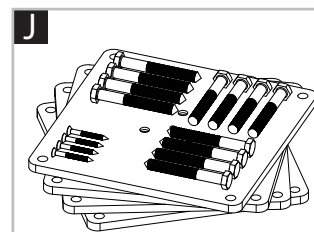
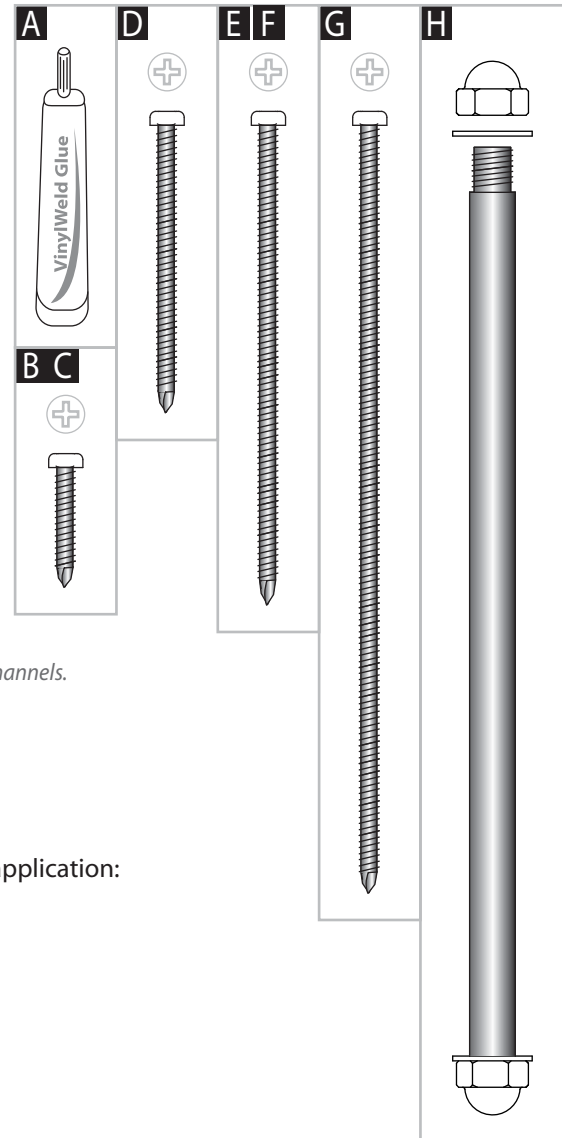
- 5/16" x 7" (8x76.2mm) Bolts and Nylon-Insert Lock Nuts (16) (Bolt length depends on blocking material)
- 5/16" (8mm) Washers (32)
- 5/16" (8mm) Wood drill bit. Minimum 3" (76mm) long (1)
- 2x10" (5.1x25cm) Wood Blocks (4) to be secured between the deck joists, to provide adequate support for the pergola posts.

If Mounting Pergola in Ground

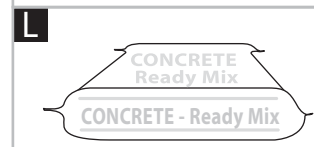
- K. 4x4x12 (10x10x365cm) Pressure-Treated Wood Posts (4) *(purchase at local building center)*
- L. Concrete Ready Mix (4) *(purchase at local building center)*

Rafter/ Beam Support (Required)

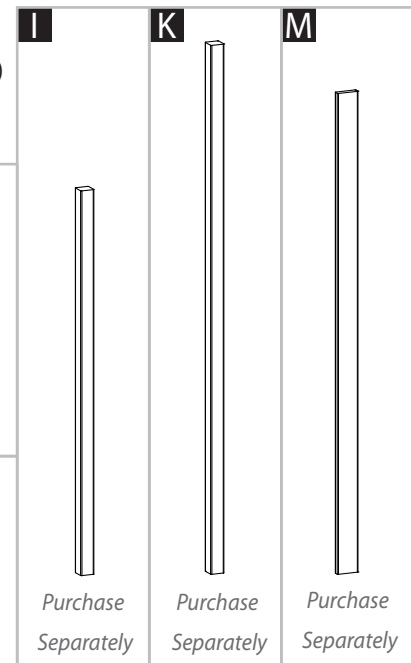
- M. 2x6x10 (5x15x305cm) Pressure-Treated Boards for Beams and Rafters (10) *(purchase at local building center)*



Purchase Separately



Purchase Separately



Purchase Separately

Purchase Separately

Purchase Separately

Not to Scale

Wood Post Layout & Installation for In-Ground Application

This pergola can also be installed on a pre-existing wood or concrete surface using our Round Post Ground Bracket Kit with a 4x4 wood post (sold separately). See page eight for more details.

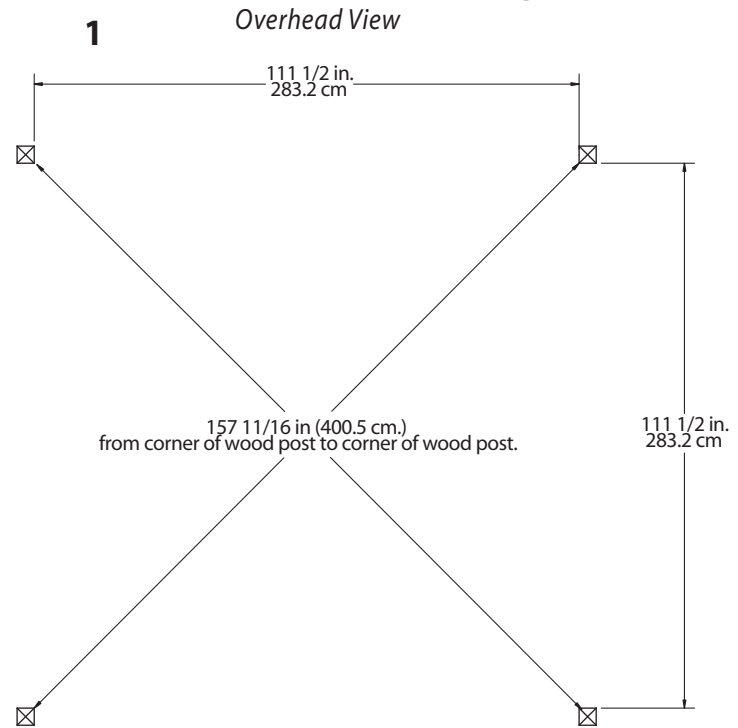
Post location and placement is the most critical step in the overall installation process. Please double check for the possibility of any underground utilities such as sprinkler, gas or telephone lines.

STEP ONE

Measure and mark out the location of the pergola posts using string line and temporary wood stakes. Diagonal distances must be the same to ensure a square installation. Adjust string lines accordingly. The inside corner of the string lines will be the post location.

Please Note:

Should you decide to moderately modify the dimensions of your pergola from the standard kit size, a circular saw with a sharp fine-tooth blade is all that you need to cut, shorten or modify the vinyl components.



STEP TWO

Install Wood Supporting Posts Directly into the Ground

1

After you have determined where the posts will be located, excavate 10" (25.4cm) diameter x 36" (91.4cm) deep post holes.

2

After holes are dug and cleaned, place the 4x4 (9x9cm) wood post into a hole ensuring it's level and square to string lines. The final post height should be 94" (239 cm) out of the ground.

3

Fill the vacant hole with pre-mixed concrete all the way to within 3" (7.6cm) of the top of the hole.

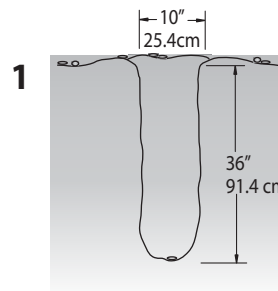
Once concrete has set, backfill 3" (7.6cm) space with soil.

4

Repeat for all four posts.

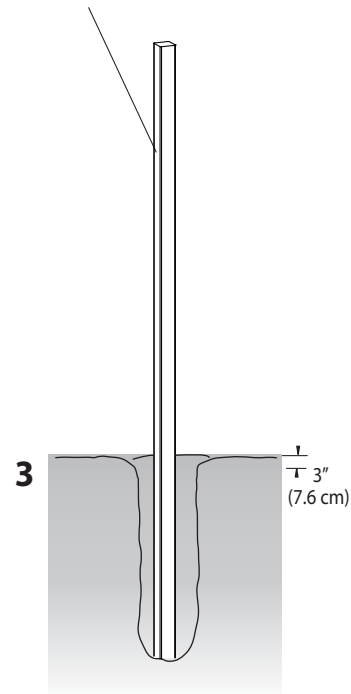
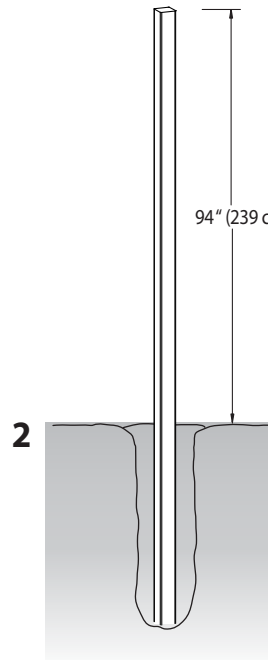
Please Note:

Some 4x4 pressure treated posts can be larger than 3 1/2 x 3 1/2 square due to twisting or cracking. We have allowed a tolerance for this in the round post, however, in extreme cases you may need to shave down the top of the 4x4 wood post slightly to get the vinyl post started over the wood post. Before installing your wood posts in the ground, please check to confirm this and correct at this stage if necessary.



Note:

Shown is a 11'-6" (350cm) length of wood, and since the 4x4 (9x9cm) Pressure Treated wood comes in 12' (365 cm) lengths, do one of the following:
a. Cut the wood down to 11'-6" (350 cm)
b. Dig 42" (107 cm) deep holes instead of 36" (91.4cm)



OPTIONAL STEP

Wood Post Layout & Installation Using Round Post Bracket Kit for Concrete or Wood Surface

Note: for additional information on the Round Post Bracket Kit installation, refer to the Round Post Bracket Kit instructions.

1

Measure and locate the centre of the wood post. Pre-drill a 1/16" [2mm] hole, about 1 1/2" (38mm) deep as shown.

2

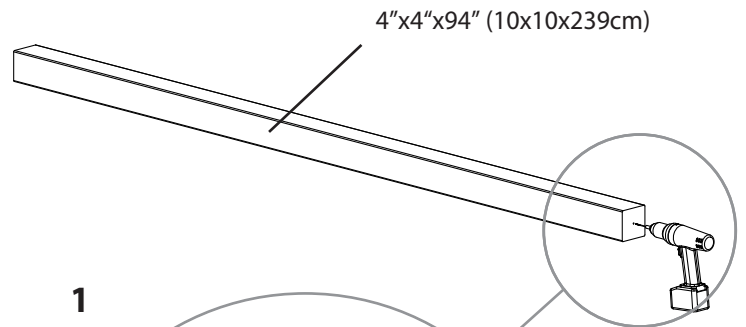
Using the small screw provided with the ground bracket kit, fasten the bracket to the bottom of the post as shown.

3

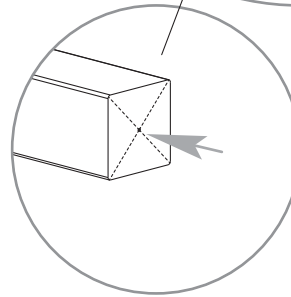
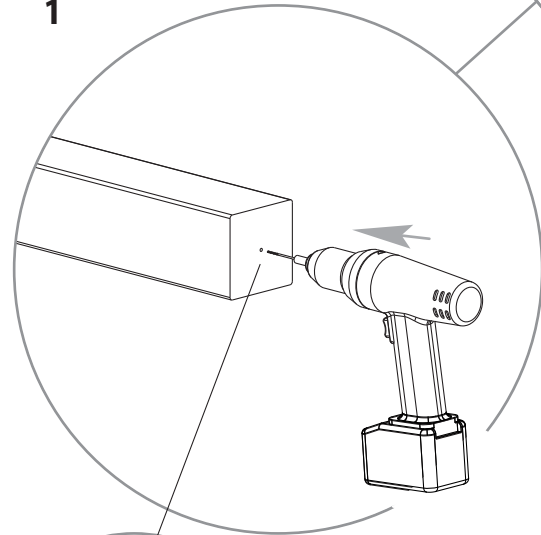
Position the ground bracket so that it is square to the wood post and pre-drill three, 3/16" [5mm] holes for the lag bolts as shown. The holes should be approximately 3" [75mm] deep.

4

Using a socket wrench, fasten the 3 lag bolts supplied with the kit as shown.

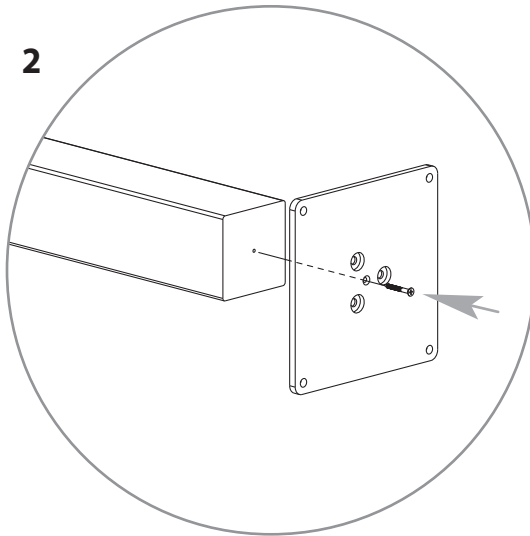


1



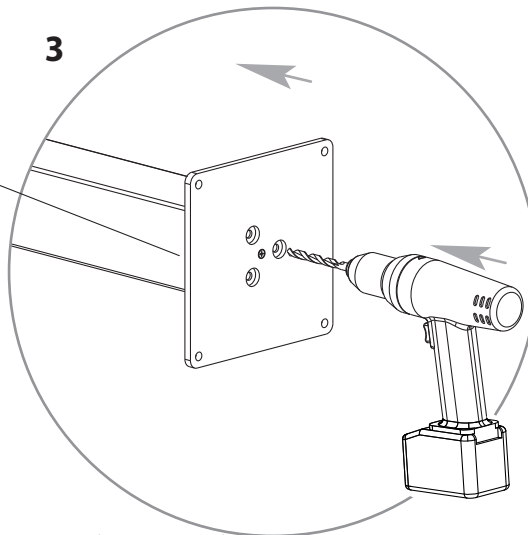
Note: Easiest way to measure and mark the center of the post is to draw an 'x' through the diagonals as shown.

2

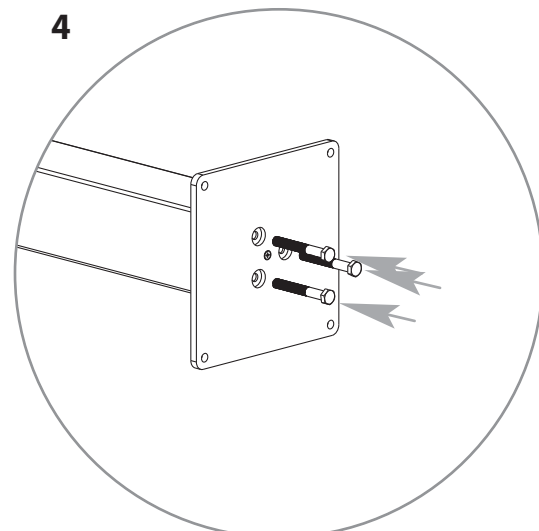


Make sure wood post is square to bracket.

3



4



OPTIONAL STEP

5

Measure and mark out the location of the ground brackets plate using string or chalk line. Diagonal distances must be equal to ensure a square installation. Adjust string lines accordingly. The inside corner of the string lines will be the corner of the plate.

6

Mark out the location of brackets using the base plate of the bracket accordingly.

7

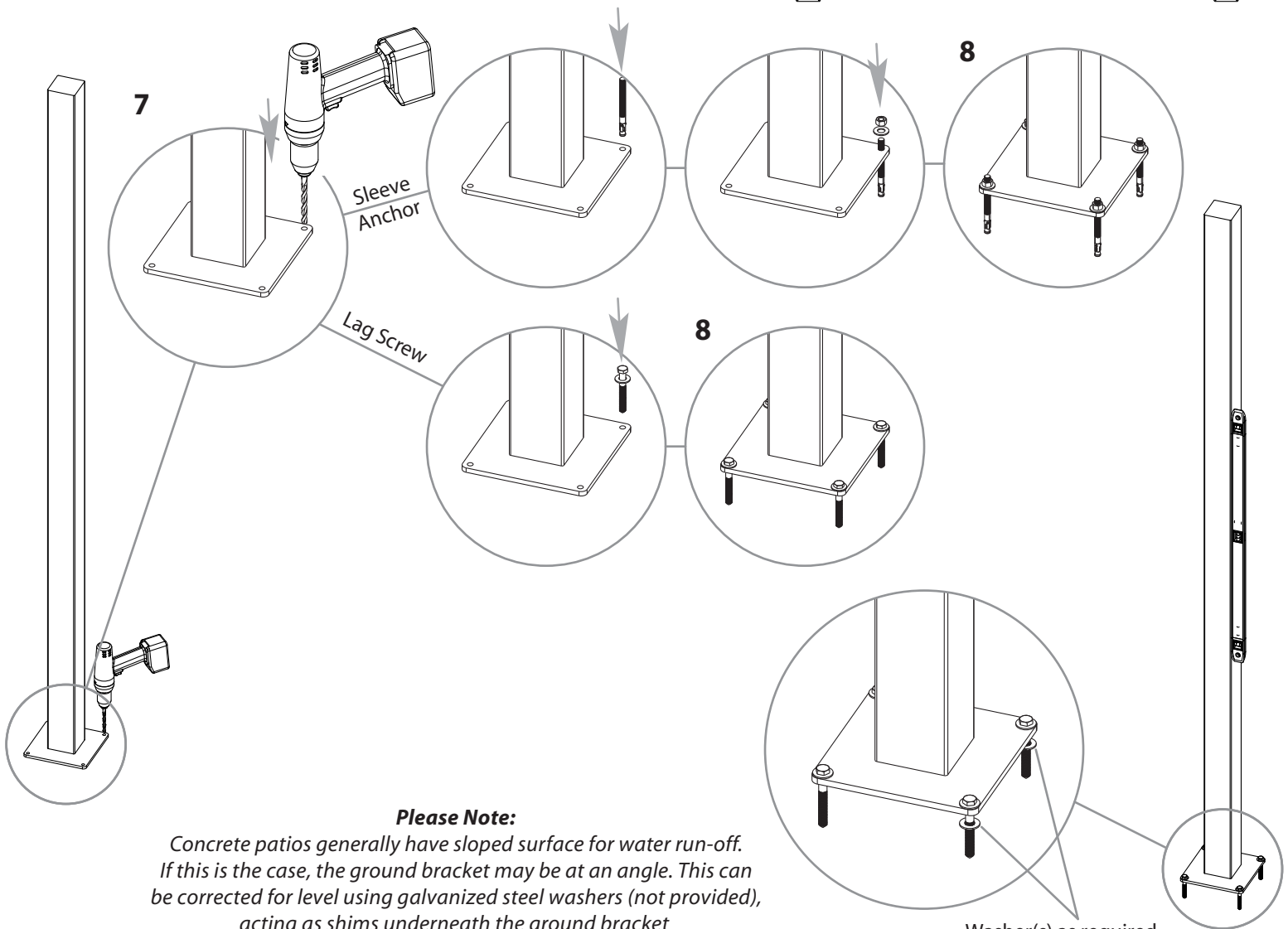
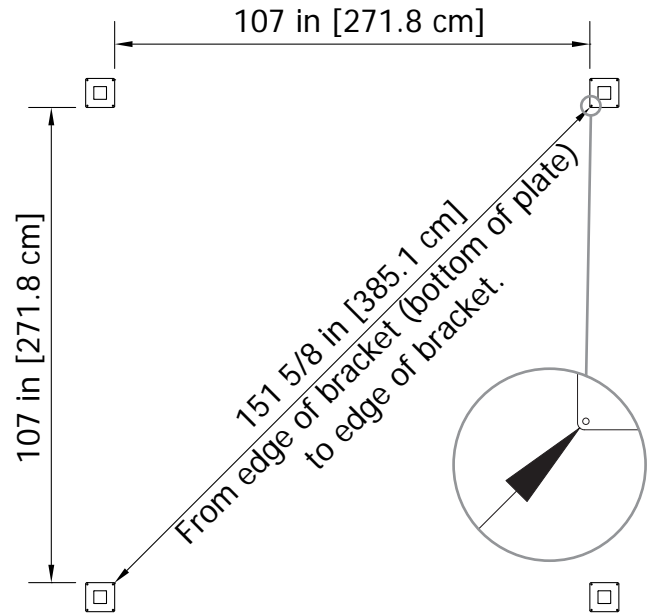
Depending on where the pergola will be installed, you may need sleeve anchors if installing on a concrete surface, or lag screws if installing on a wood platform (deck). Refer to page 6 for hardware recommendations.

Mounting hardware is not included in the Round Post Bracket Kit.

8

Following the instructions supplied with the hardware, proceed to install four fasteners into each the base plate of the bracket.

5



Please Note:

Concrete patios generally have sloped surface for water run-off. If this is the case, the ground bracket may be at an angle. This can be corrected for level using galvanized steel washers (not provided), acting as shims underneath the ground bracket

VERY IMPORTANT OR PERGOLA BEAMS AND RAFTERS WILL NOT BE LEVEL.

OPTIONAL STEP

Wood Post Installation using Round Post Bracket Kit onto a wood/composite deck with an accessible underside

1

Locate the position of your bracket and mark the four corner holes.

2

Measure the distance between your joists and fasten a 2x10 (5.1x25cm) wood support directly below where the bracket is to be installed. This will give the surface mount additional strength.

3

Drill four 5/16" (8mm) diameter holes through the deck and support.

4

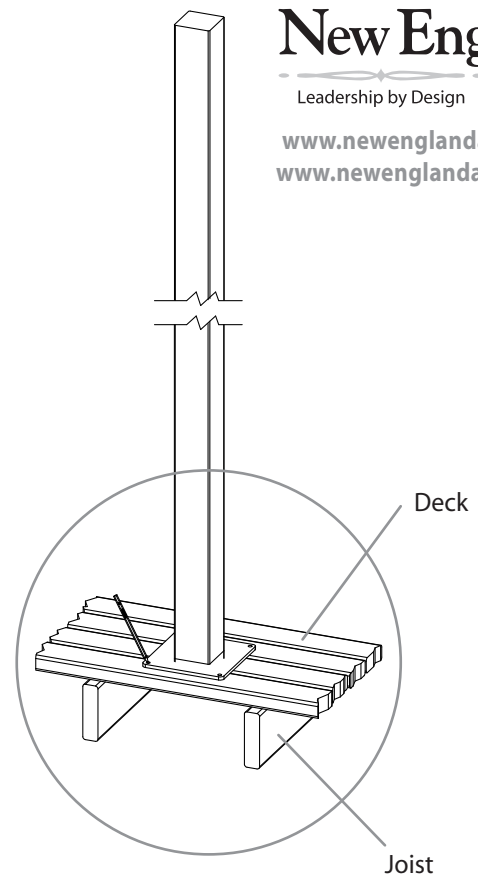
Fasten the bracket as shown using the hardware listed on page 6.

New England
Arbors

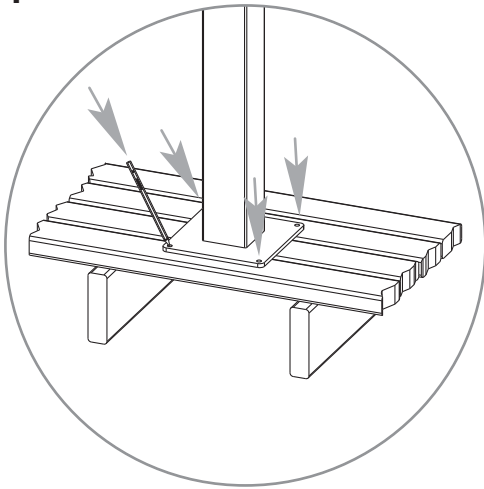
Leadership by Design

www.newenglandarbors.com

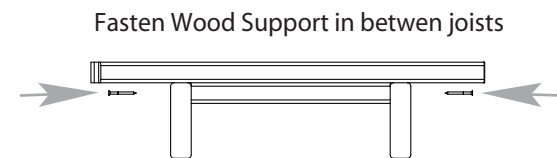
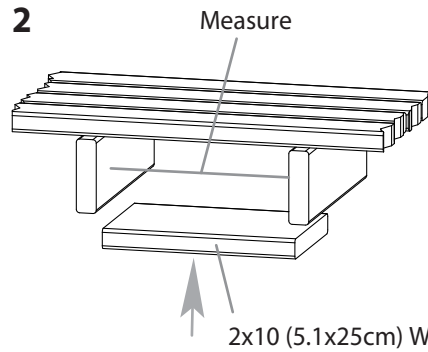
www.newenglandarbors.co.uk



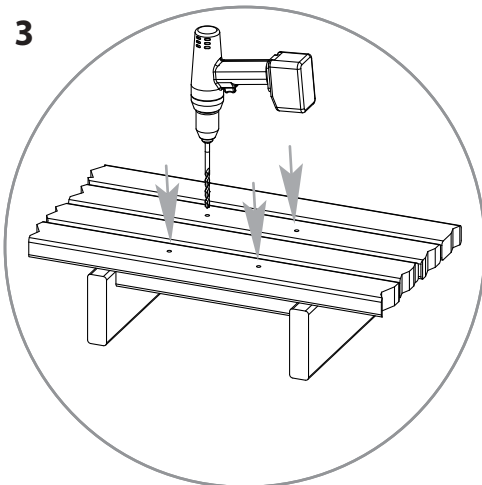
1



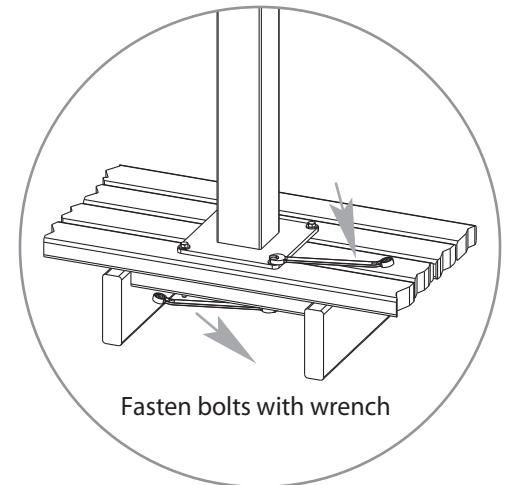
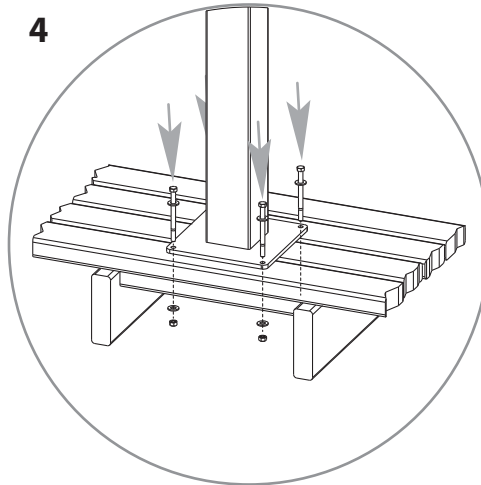
2



3



4



STEP THREE

Vinyl Column Assembly & Installation Over Wood Posts

1

With a helper and a ladder, place the round post over the wood post as shown.

2

Apply a small bead of glue around the base as shown, approximately 4" (10cm) from the ground.

3

Slide the Round Post Base Trim over and down the post as shown. Hold the base trim in place for about 20 seconds to allow the vinyl glue to set.

NOTE: the Base Trim and ground bracket /wood post should be square to each other.

4

Slide the Round Post Trim followed by the Round Post Top Trim as shown. Let the two parts slide down for now as they will be glued in place in later steps.

5

Attach the Round Post Adapter onto the top of the post and fasten in place with 4, 5/8" (16mm) screws as shown.

6

Apply a small amount of glue to the inside of the Post Top Trim where it would come in contact with the Post Adapter as shown.

7

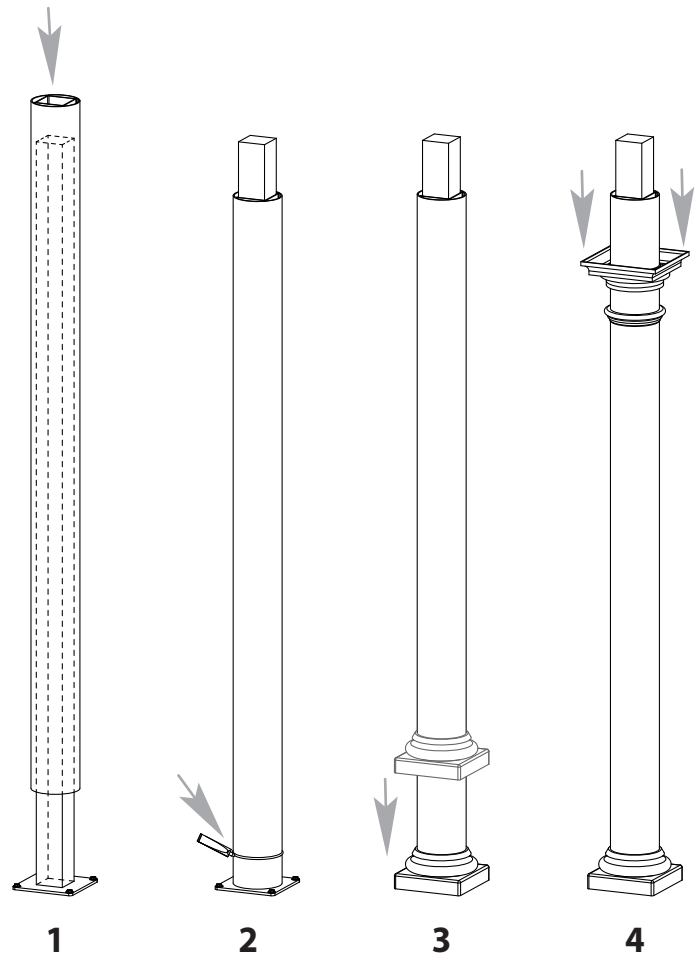
Slide the Post Top Trim in place and hold for 20 seconds, allowing the glue to set.

8

Apply a small amount of glue to the outside of the post where you would like the Round Post Trim to be located (shown is 3" - 7.6cm)

9

Slide the Post Trim in place and hold for 20 seconds.



1

2

3

4

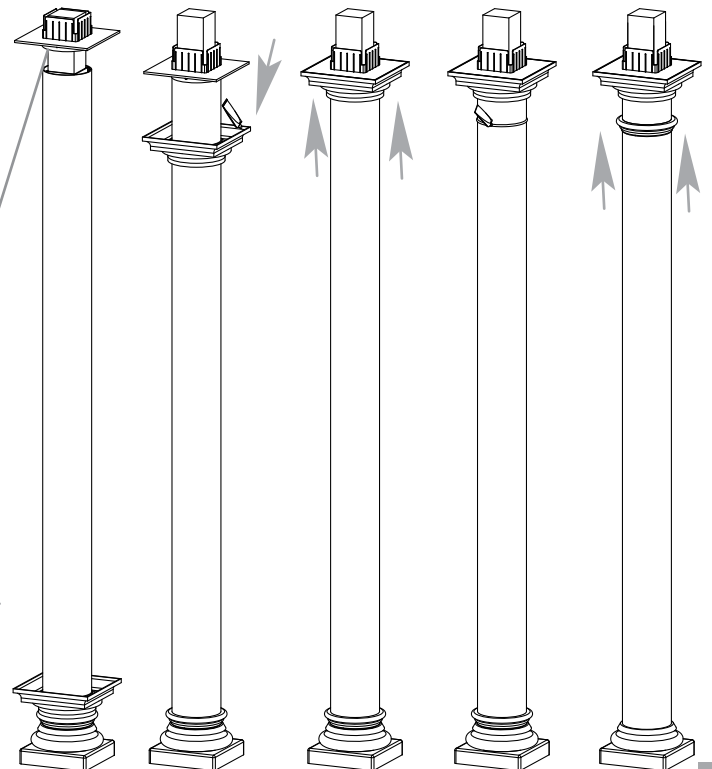
5

6

7

8

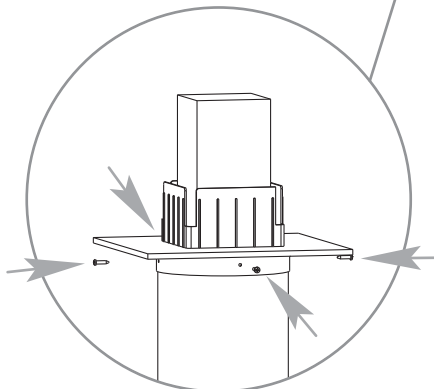
9



New England
Arbors

Leadership by Design

www.newenglandarbors.com
www.newenglandarbors.co.uk



STEP THREE

Vinyl Column Assembly & Installation Over Wood Posts

1

Slide the Main Column Top over the Post Adapter as shown.
NOTE: Do not glue the Column Top at this point.

Note the location of the hole(s) on the Column Top and compare it to the overall layout of your pergola. The direction in which the holes face will determine the placement of the beams, rafters, and louvers.

2

With a pencil, make a centre mark through the hole onto the wood post.

3

Remove the Column Top and drill a 1/2" (13mm) hole through the wood post as shown.

4

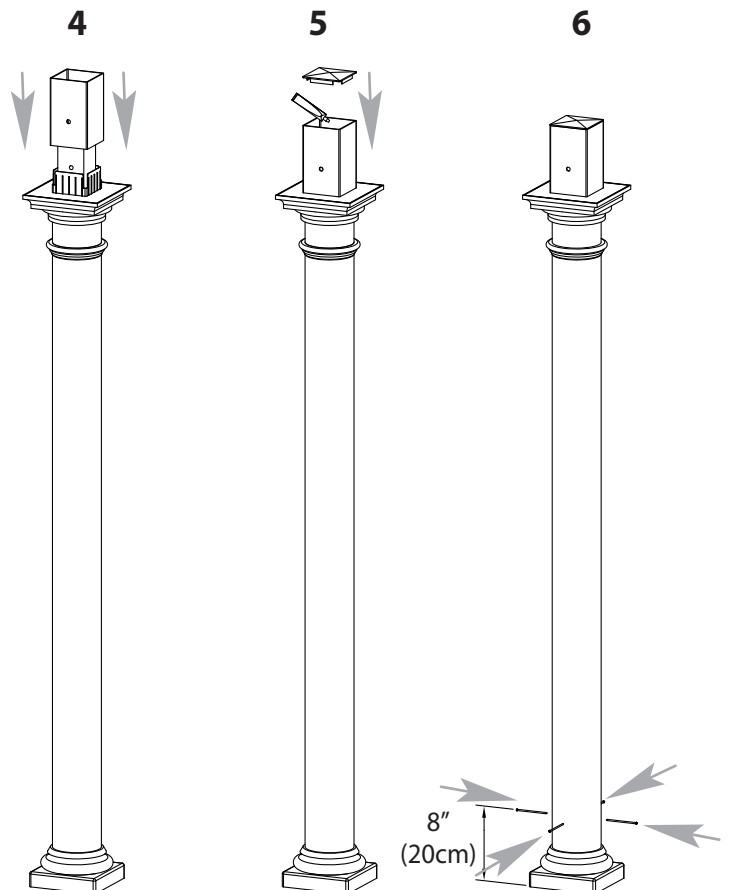
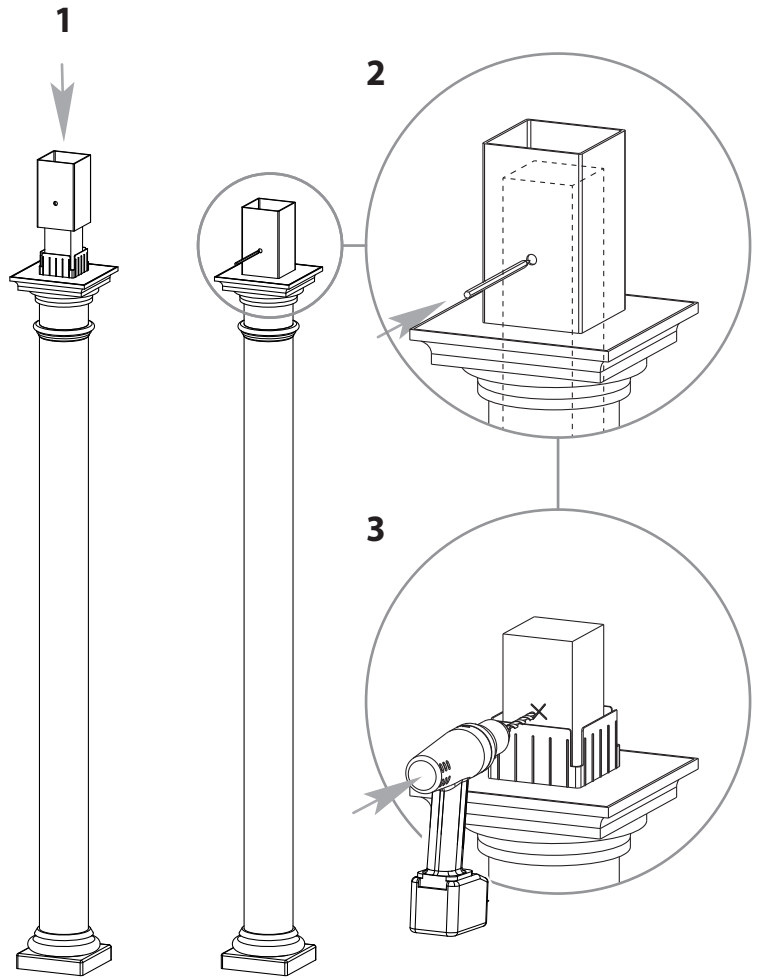
Replace the Column top and visually check that the hole is completely drilled through.

5

Apply a small amount of glue to the inside of the Column Top as shown and place the Post Cap as shown.

6

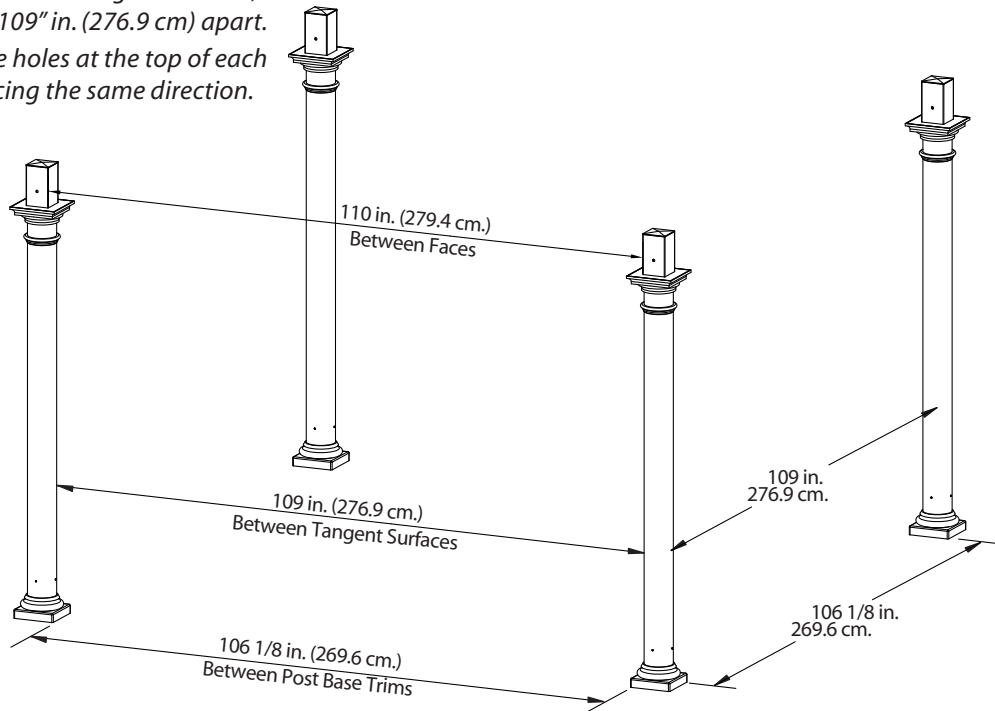
To secure the Column to the wood post, fasten 4, 2 1/2" (64mm) screws through the column into the wood post approximately 8" (20cm) from the ground as shown.



New England
Arbors
Leadership by Design

www.newenglandarbors.com
www.newenglandarbors.co.uk

At this stage, the columns should be properly installed as per the following illustration, with the columns 109" in. (276.9 cm) apart. Also, notice that the holes at the top of each post should be facing the same direction.



STEP FOUR

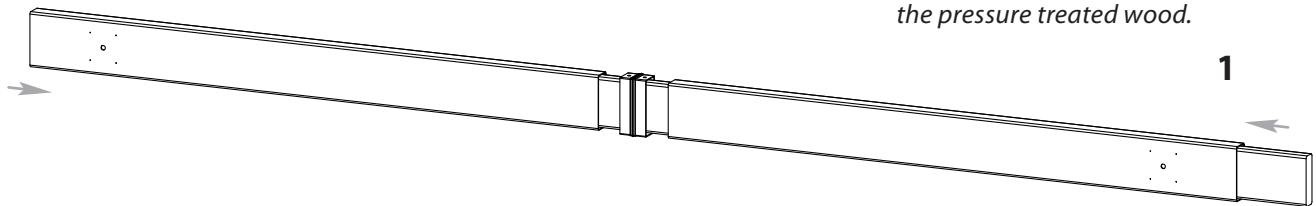
Main Support Beam Assembly

1

Insert one 2x6x10' pressure treated wood into a main support beam section followed by the joiner and another beam section.

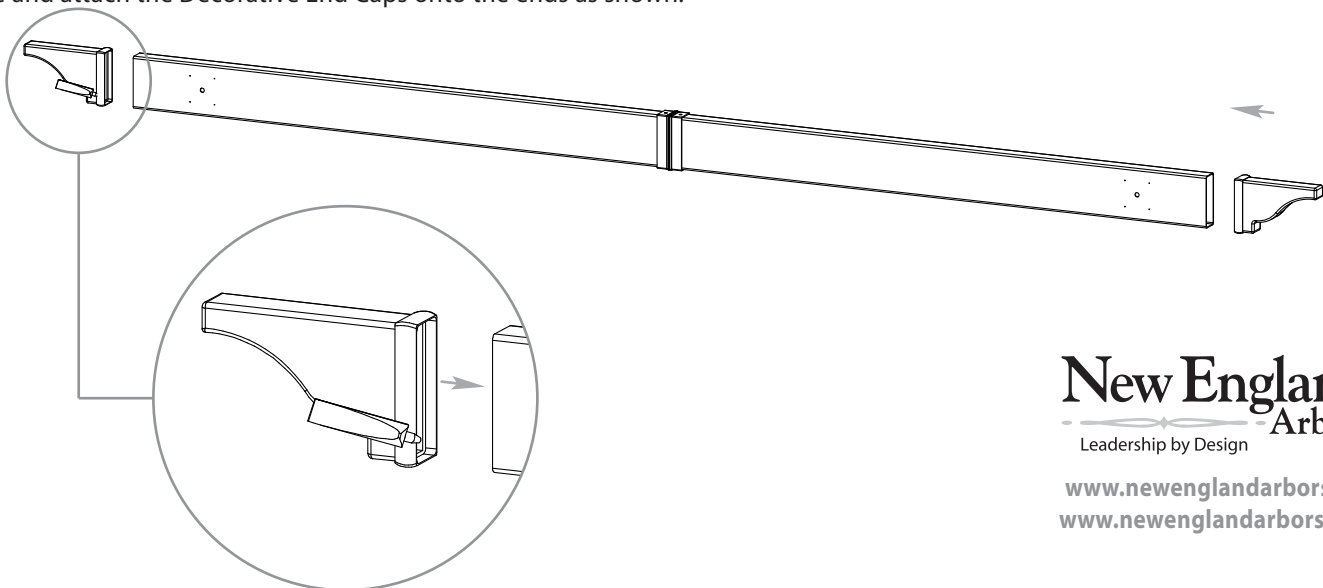
Critical Note:

Note the location of the pre-drilled hole on beams as pictured aside. These holes will align with the hole on the posts. Both ends of beam section should extend approximately 6" over the pressure treated wood.



2

Glue and attach the Decorative End Caps onto the ends as shown.



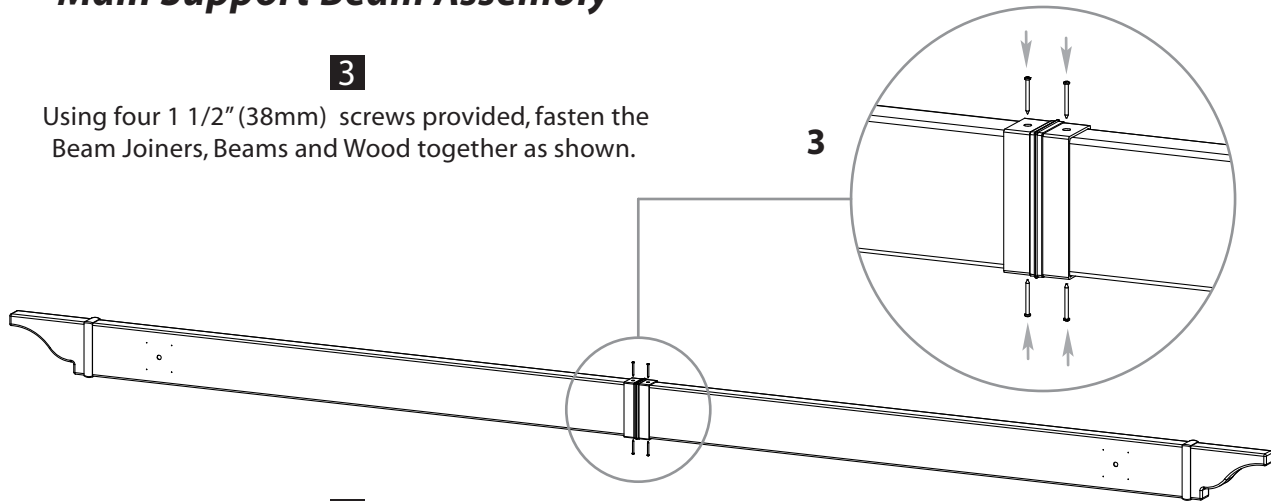
New England
Arbors
Leadership by Design

www.newenglandarbors.com
www.newenglandarbors.co.uk

Main Support Beam Assembly

3

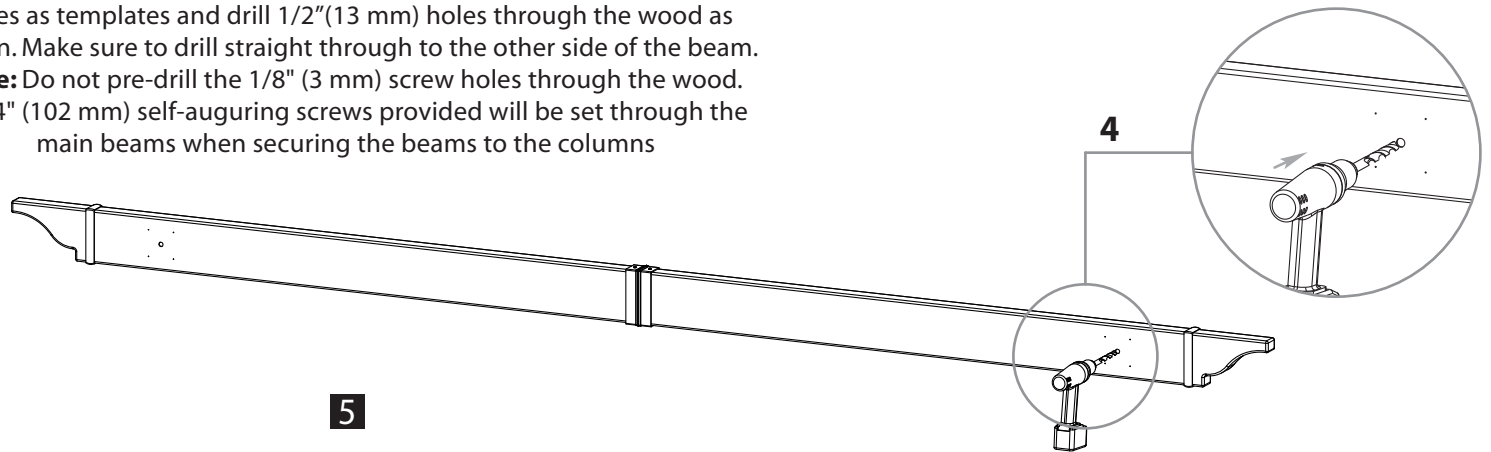
Using four 1 1/2" (38mm) screws provided, fasten the Beam Joiners, Beams and Wood together as shown.



4

Now that the wood is secured in place, use the 1/2" (13 mm) pre-drilled holes as templates and drill 1/2" (13 mm) holes through the wood as shown. Make sure to drill straight through to the other side of the beam.

Note: Do not pre-drill the 1/8" (3 mm) screw holes through the wood. The 4" (102 mm) self-auguring screws provided will be set through the main beams when securing the beams to the columns



5

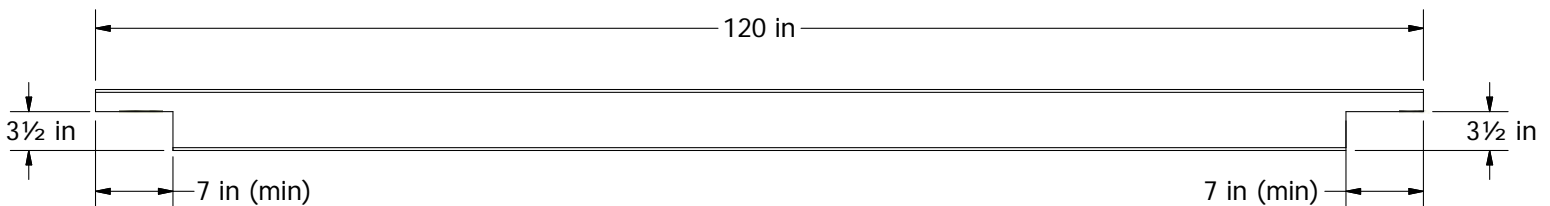
Repeat for all four beams.

STEP FIVE

Rafter Assembly

1

To accommodate the notches on the rafters, first the wood inserts must be be notched out as shown below:



Six will be needed.

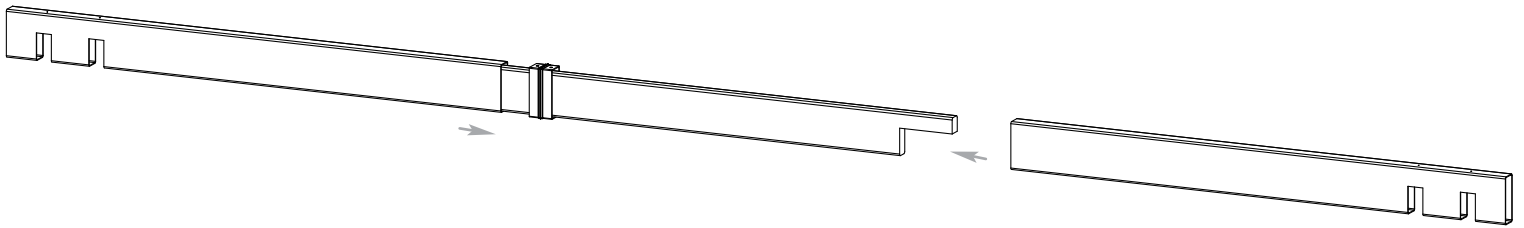
New England
Arbors
Leadership by Design

www.newenglandarbors.com
www.newenglandarbors.co.uk

Rafter Assembly

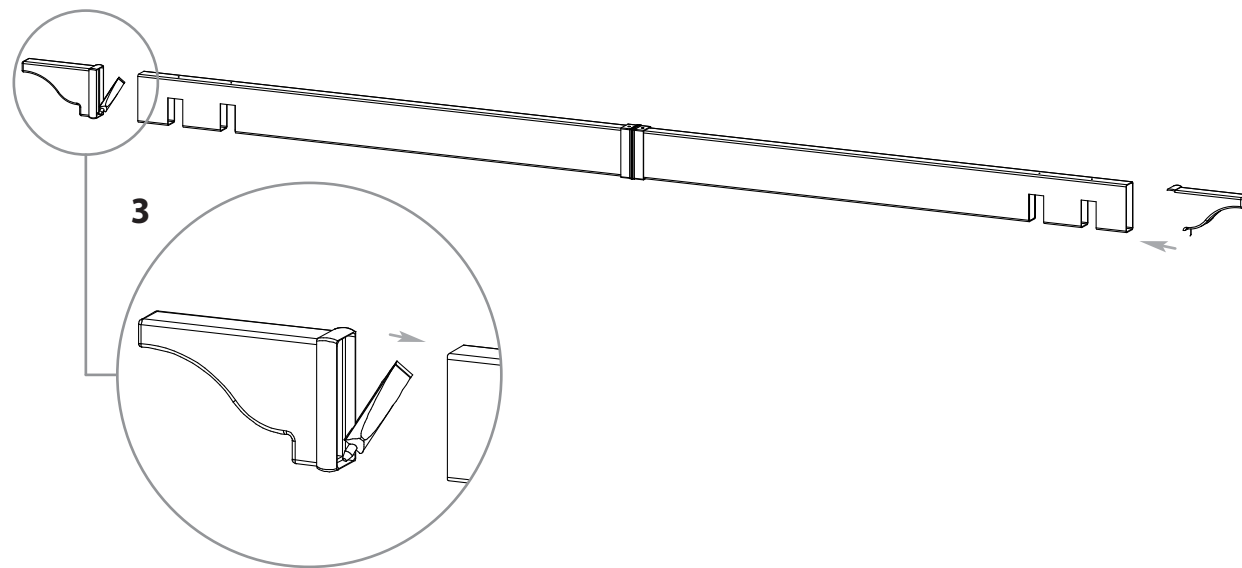
2

Insert one of the notched 2x6x10 (5 cm x15 cm x 305 cm) pressure treated wood into a beam section follow by the joiner and another beam section. Make sure the notch is at the bottom as shown.



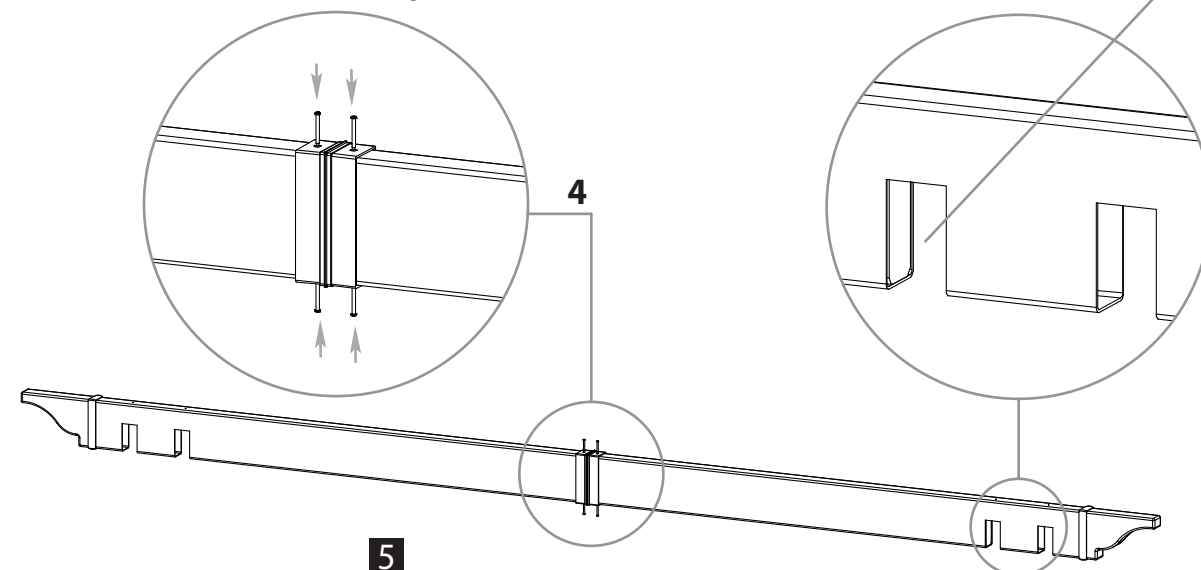
3

Glue and attach the Decorative End Caps onto the ends as shown.



4

Using four 1 1/2" (38mm) screws provided, fasten the Rafter Joiners, Rafters, and Wood together as shown.



Note:
Ensure the wood insert is not protruding into the notched area of the Rafter.

5

Repeat for all six rafters.

STEP SIX

Main Support Beams & Rafter Placement 1

Using a helper and two ladders proceed to complete the following steps:

1

Raise one Main Support Beam Assembly at a time and insert the 9" Bolt Assembly into the holes to hold into place as shown.

Some force may be required to get the bolt through.

Do not tighten the nuts until all four beams are in place, instead, simply hand-tighten them.

Note: The 9" Bolt Assembly is used to properly position the main beams on the columns.

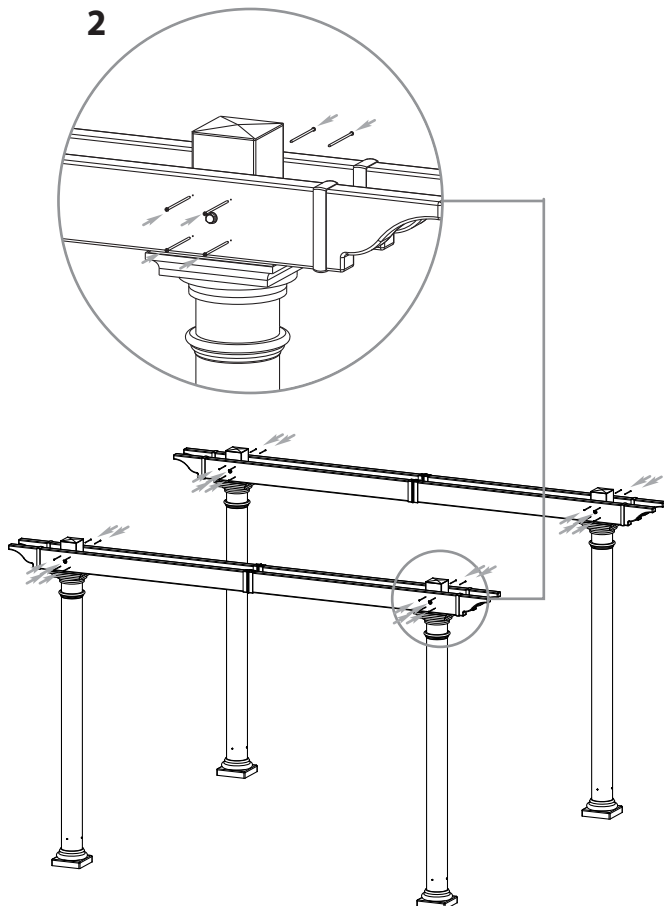
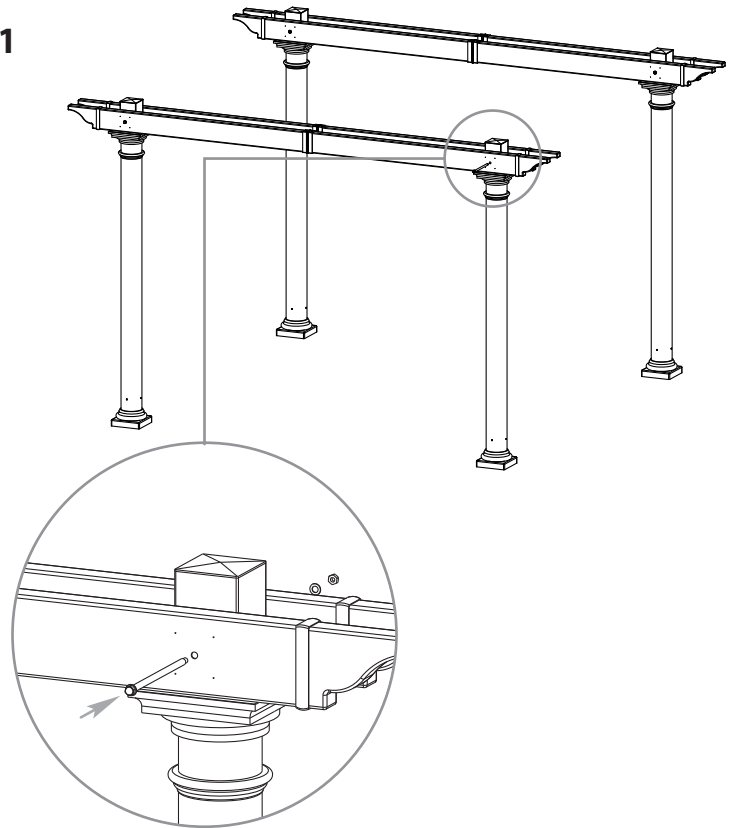
Once all four main support beams are in position, use two wrenches to tighten the nuts. Stop once the bolts bottom out inside the nuts. Over-tightening the nuts could cause damage to the bolts.

2

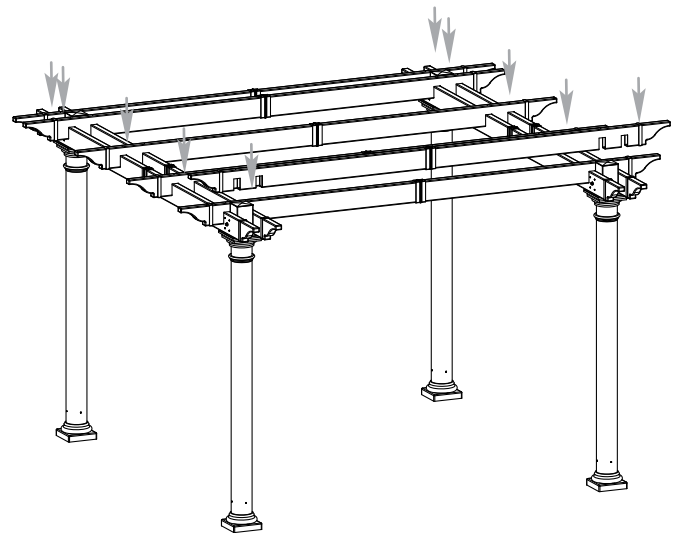
Fasten the main support beams onto the Posts using the 4" (102mm) screws provided (8 screws per post) through the pre-drilled holes.

3

Place the rafters onto the main support beams as shown. Space the middle two rafters 34" (86.4 cm) apart (Critical for louver placement)



3



New England
Arbors
Leadership by Design

www.newenglandarbors.com
www.newenglandarbors.co.uk

Main Support Beams & Rafter Placement

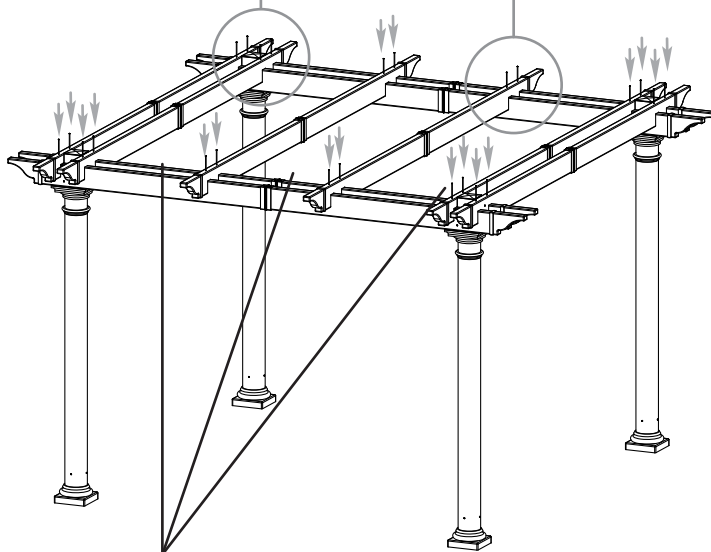
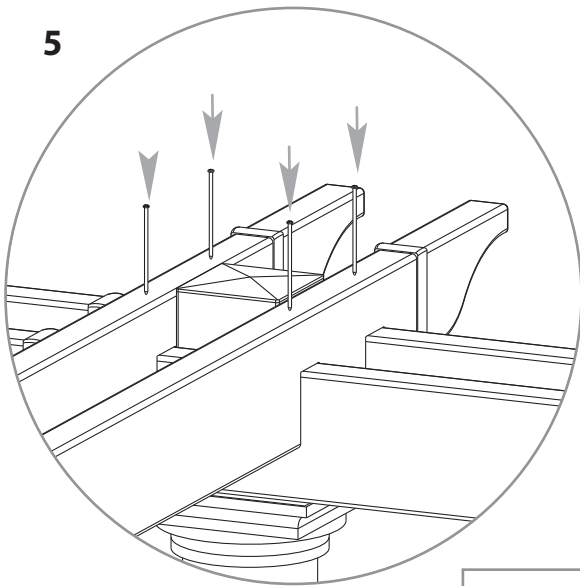
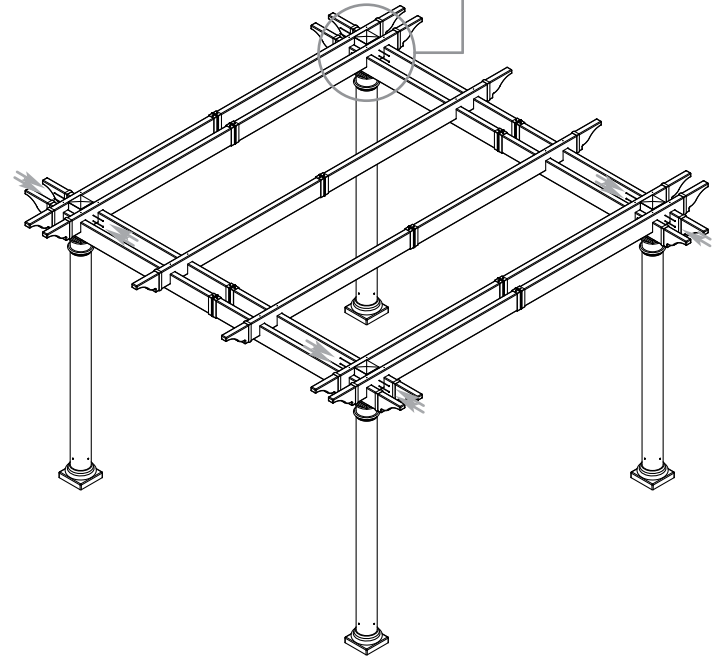
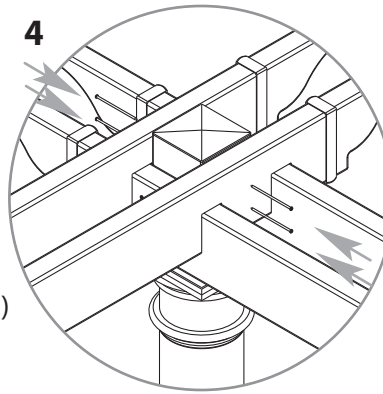
4

Fasten the Rafters to the Posts using the 4" (102 mm) screws provided (4 per post).

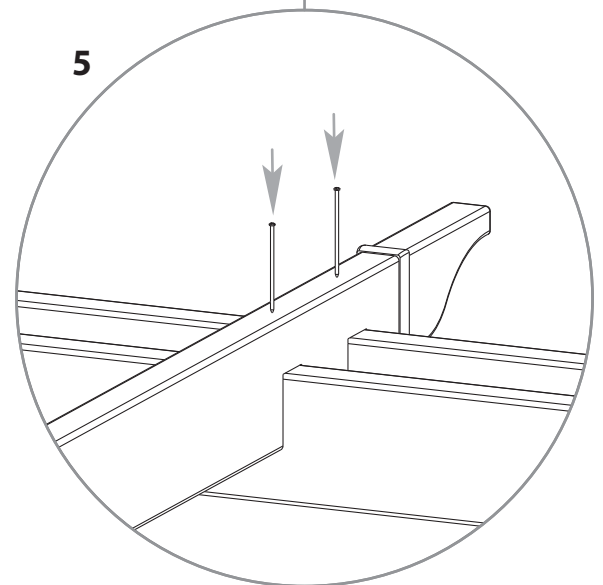
5

Note: The spacing between the rafters should be 34" (86.4 cm) as shown below.

Fasten a 4" (102 mm) screw at each intersection where the Beams and Rafters intersect as shown. 24 screws will be needed.



5



***Important: Make sure the distances between rafters are 34" (86.4 cm).**

STEP SEVEN

Louver Assembly

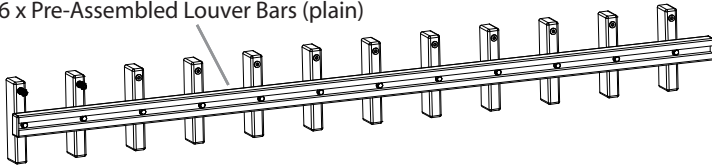
1

This kit contains four different pre-assembled Louver Bars as shown below and aside:

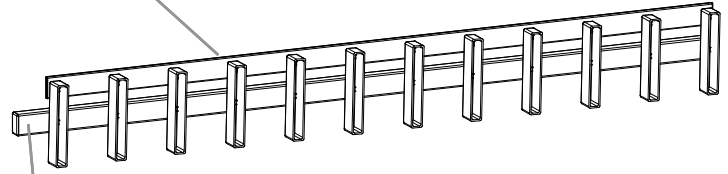
- 3 x Pre-Assembled Louver Bars (plain)
- 6 x Pre-Assembled Louver Bars with Long Louver Bar*
- 3 x Pre-Assembled Louver Bars with Short Louver Bar

**) There are two variations of Louver Bar Assemblies with Long Louver Bar.*

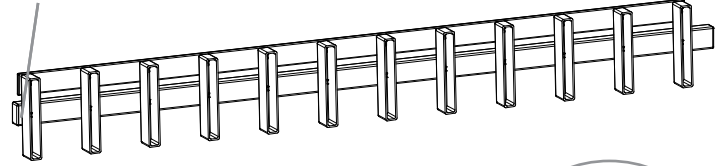
6 x Pre-Assembled Louver Bars (plain)



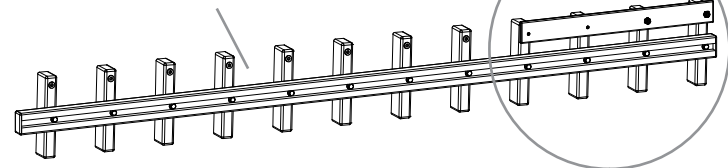
Pre-Assembled Louver Bars with Long Louver Bar



Note the difference in distance to the first Louver Bracket

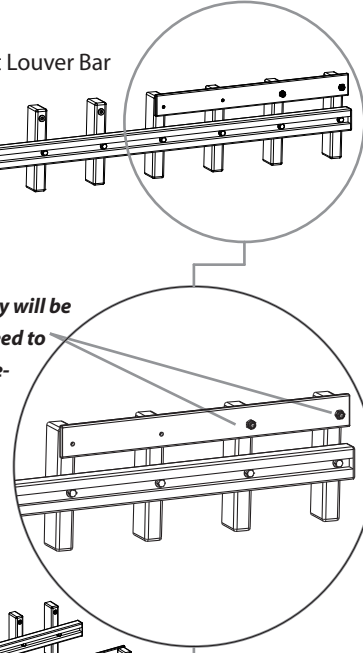


Pre-Assembled Louver Bars with Short Louver Bar

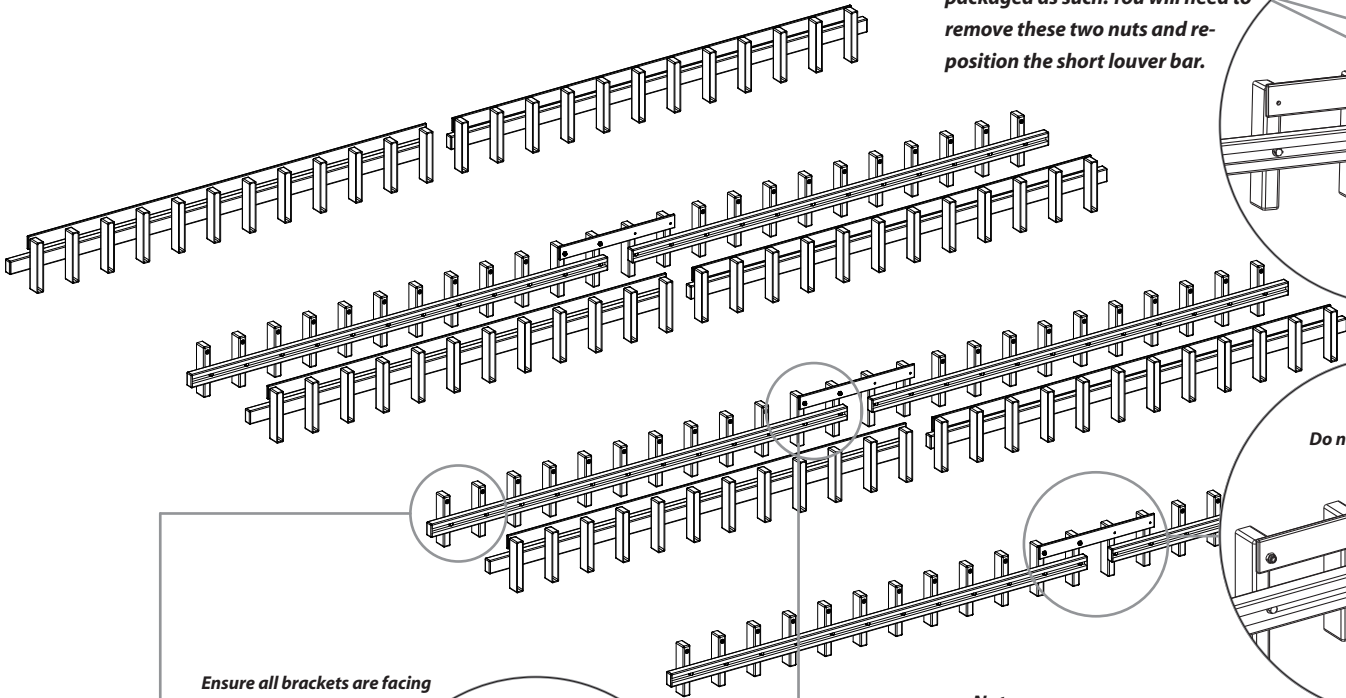


Note:

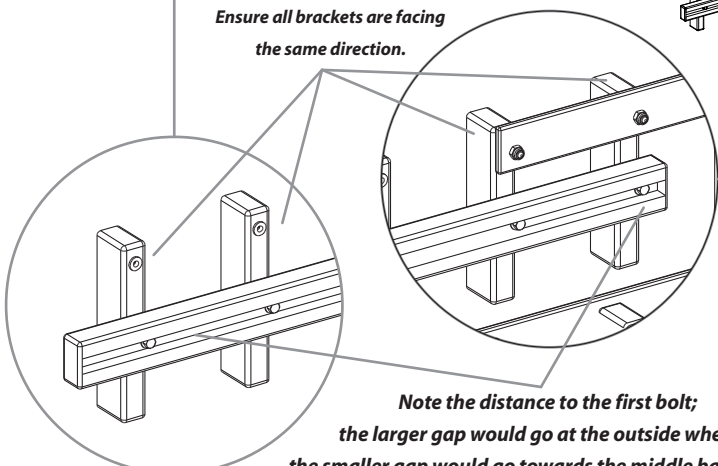
The short louver bar assembly will be packaged as such. You will need to remove these two nuts and re-position the short louver bar.



Identify and layout the twelve louver bars assembly as shown below:

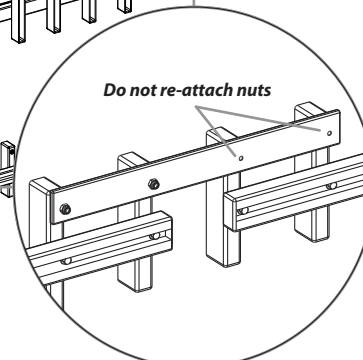


Ensure all brackets are facing the same direction.



Note the distance to the first bolt; the larger gap would go at the outside whereas the smaller gap would go towards the middle bar assembly.

Do not re-attach nuts



Note:

Reposition the short louver bar as shown but do not bolt to the adjacent louver assembly at this point. Important ! : the holes on the louver bars are offset. ensure the holes are at the bottom as shown.

New England
Arbors
Leadership by Design

www.newenglandarbors.com
www.newenglandarbors.co.uk

Louver Assembly

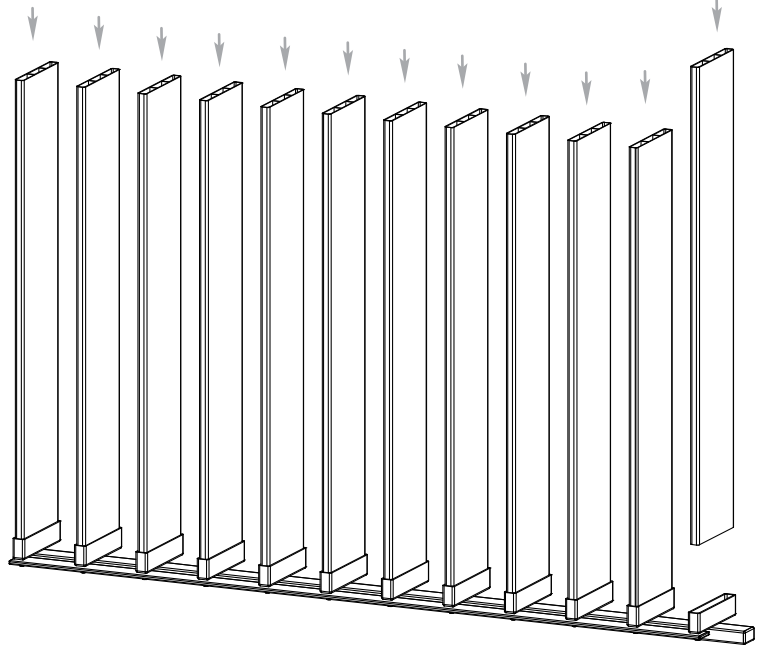
2

Insert the Louver Boards one by one. Make sure each board is inserted completely into the brackets.

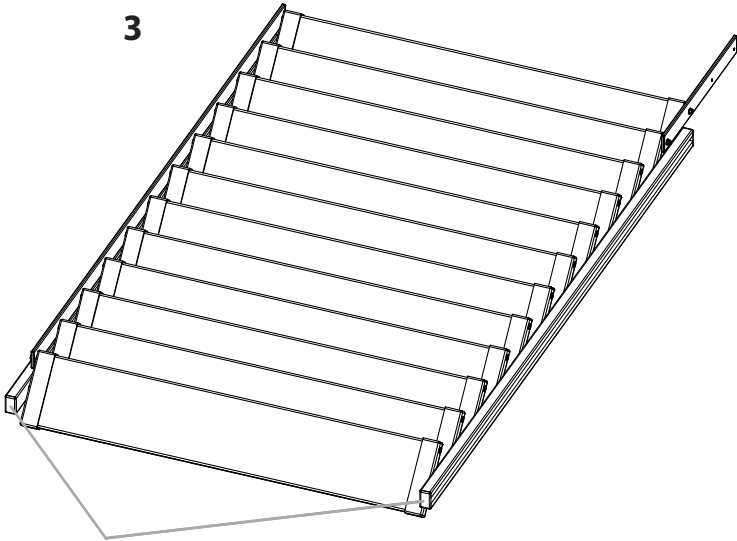
3

Attach the matching Pre-assembled Louver Bar. Pressure fit the boards one by one.

2



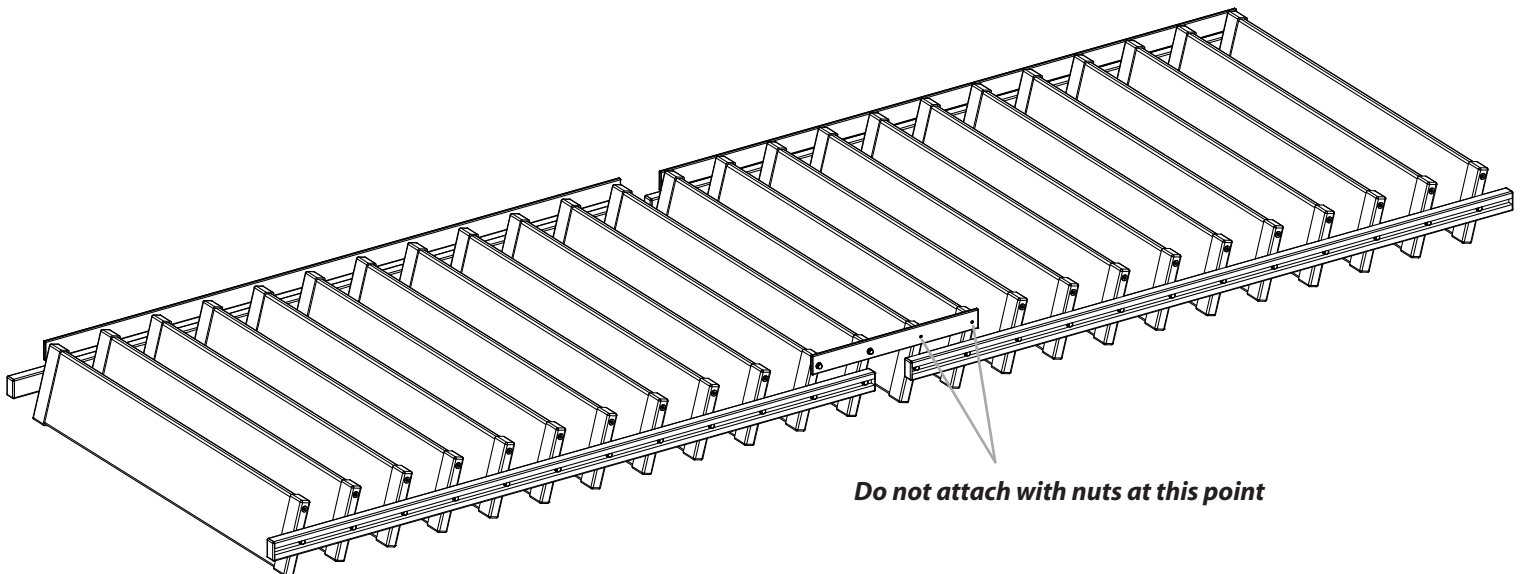
3



The ends of the louver bars with large space should be at the same end.

4

Repeat for all six sub-sections. At this point, you should have three full sections of Louvers as shown below:

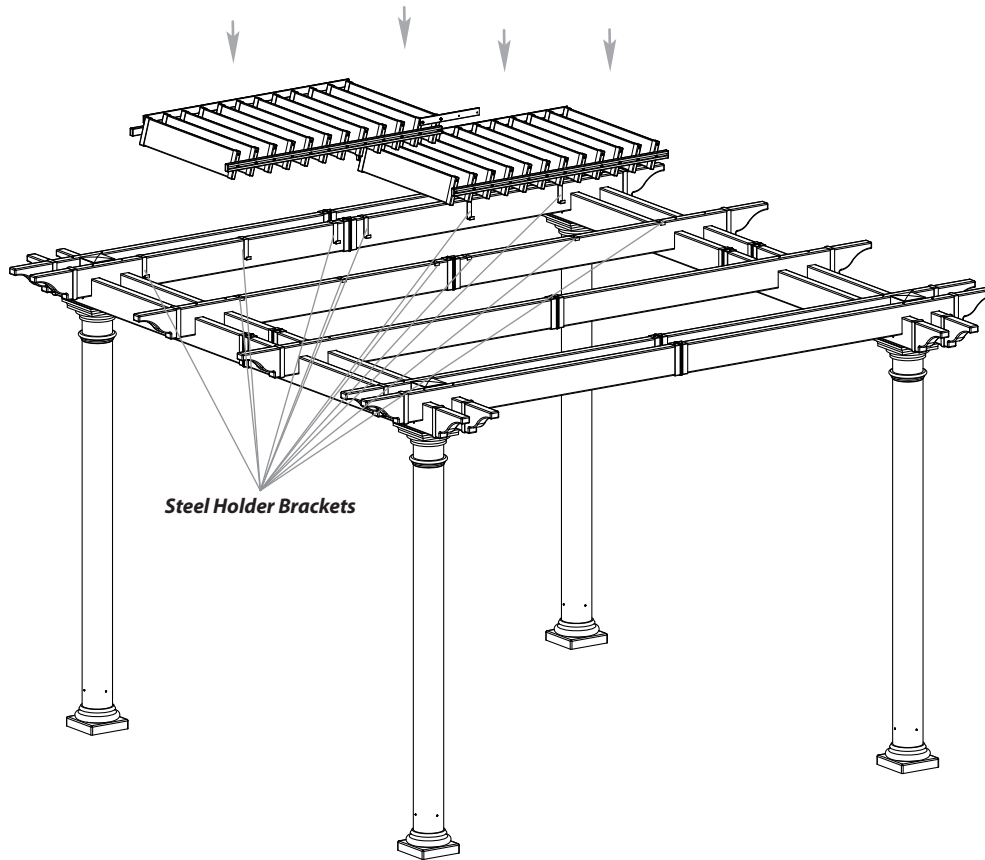


Do not attach with nuts at this point

Louver Assembly

5

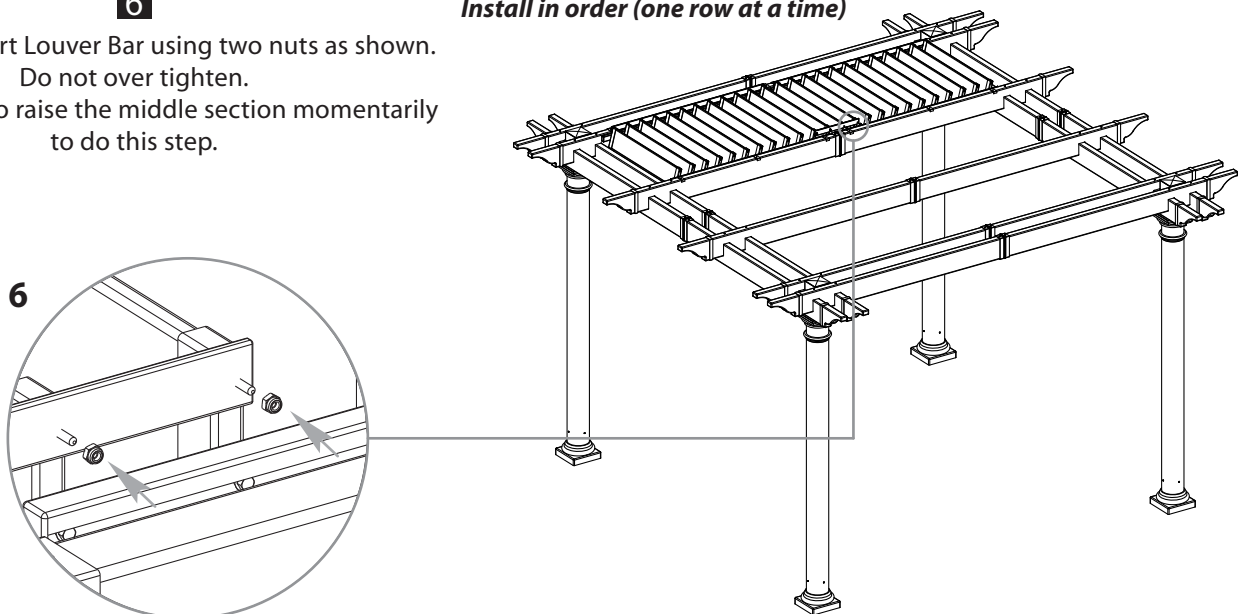
Place twelve Steel Holder Brackets as shown below and carefully lower the Louver assembly onto the steel brackets. Do not screw the Steel Holder Brackets in place at this point.



6

Fasten the Short Louver Bar using two nuts as shown. Do not over tighten. You will need to raise the middle section momentarily to do this step.

Install in order (one row at a time)



Note: check that the holes are closer to the bottom as shown.

Louver Assembly

7

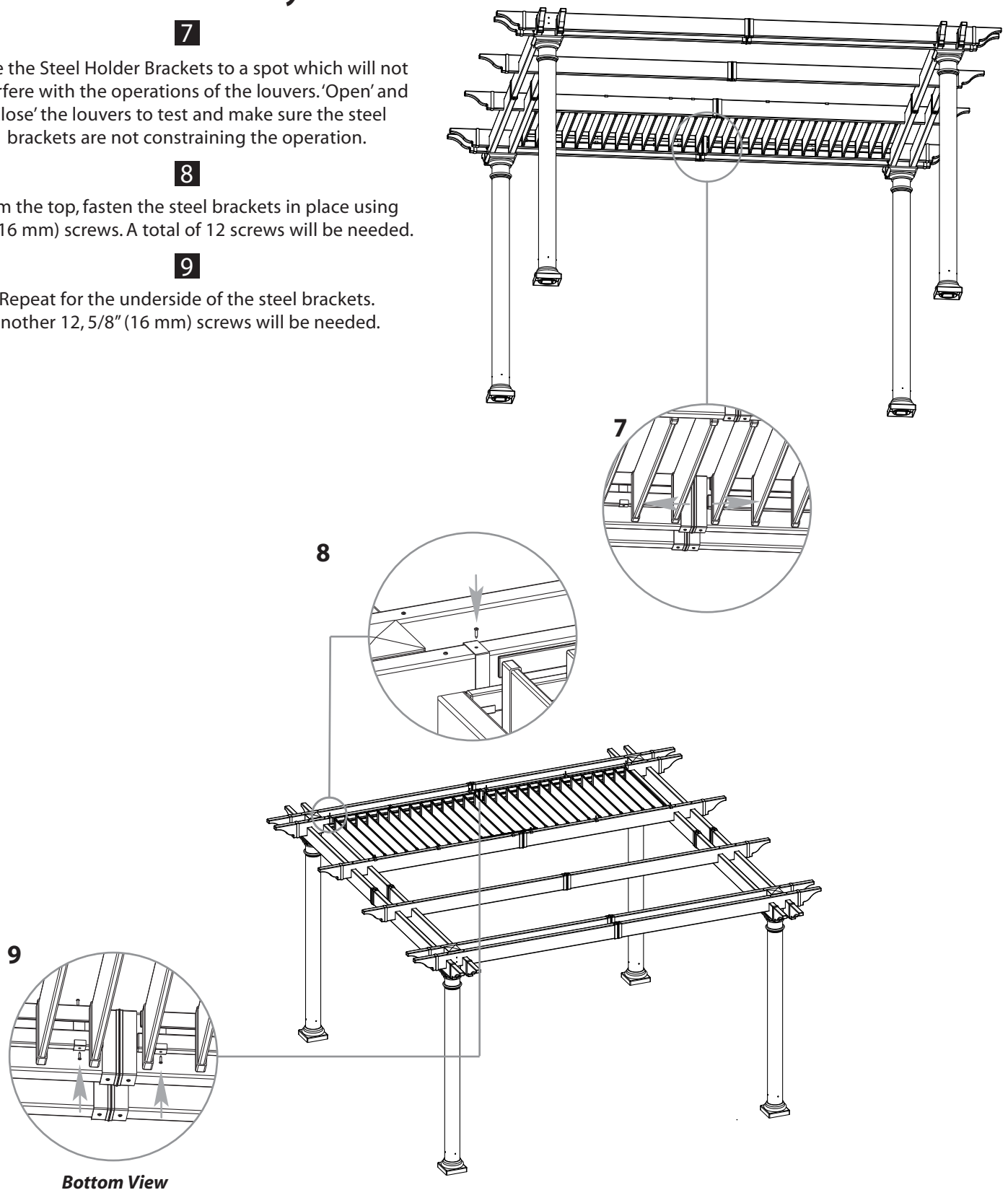
Slide the Steel Holder Brackets to a spot which will not interfere with the operations of the louvers. 'Open' and 'Close' the louvers to test and make sure the steel brackets are not constraining the operation.

8

From the top, fasten the steel brackets in place using 5/8" (16 mm) screws. A total of 12 screws will be needed.

9

Repeat for the underside of the steel brackets. Another 12, 5/8" (16 mm) screws will be needed.



Bottom View

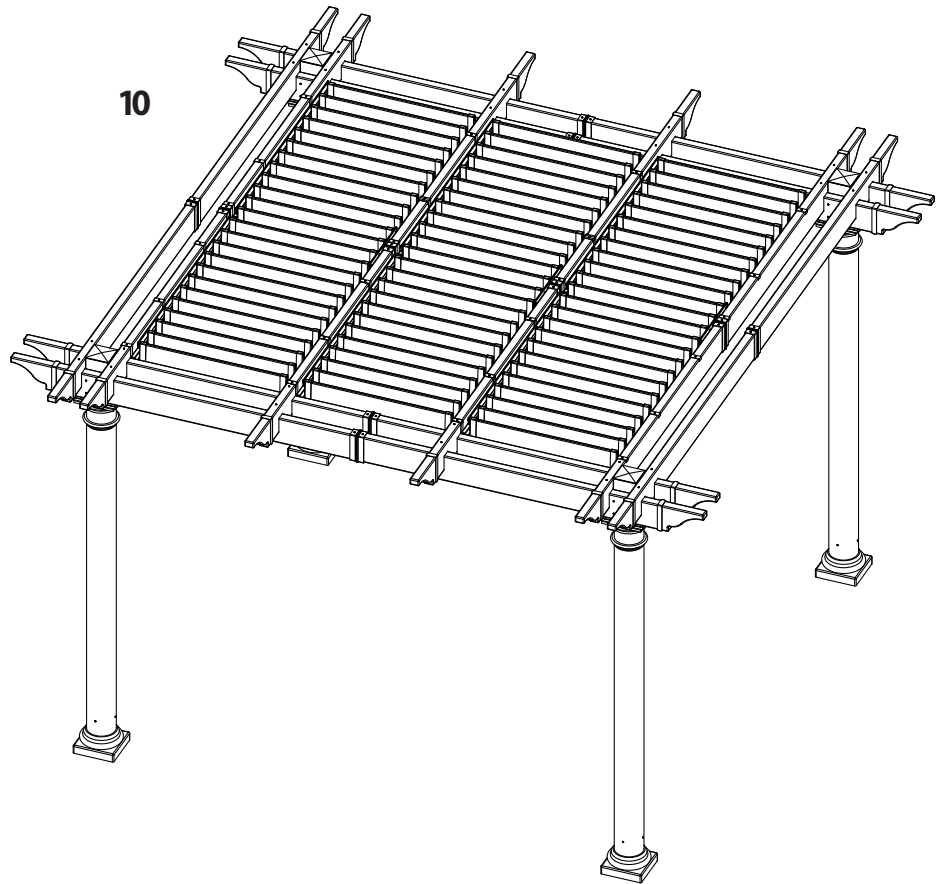
New England
Arbors
Leadership by Design

www.newenglandarbors.com
www.newenglandarbors.co.uk

Louver Assembly

10

Repeat for other two rows.



New England
Arbors
Leadership by Design

www.newenglandarbors.com
www.newenglandarbors.co.uk

STEP EIGHT

Turn Bar Holder Installation

The Turn Bar Holder is packaged in Box 8 of the kit and is designed to provide a place to keep the Turn Bar when not in use.

1

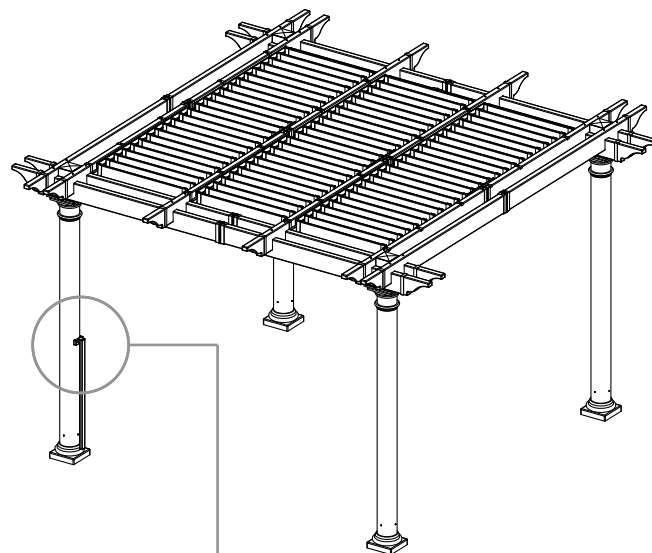
Pick a location that is easily accessible and out of the way of the louvers operation. The post is recommended as the 2 1/2" (64 mm) screws are used to protrude into the wooden post, providing a secure mounting support.

2

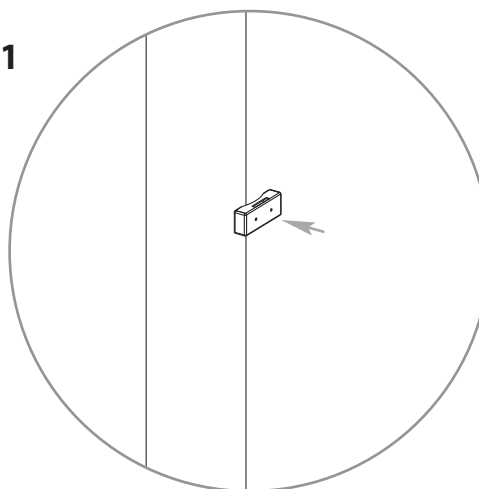
Mount with the slot on the top and closer to the post as shown. Fasten with two 2 1/2" (64 mm) screws provided.

3

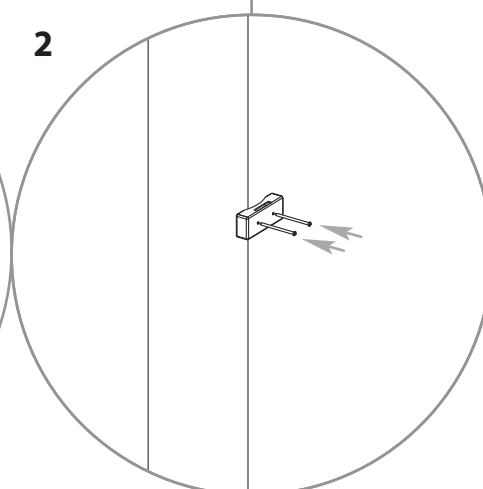
Hang the Turn Bar as shown.



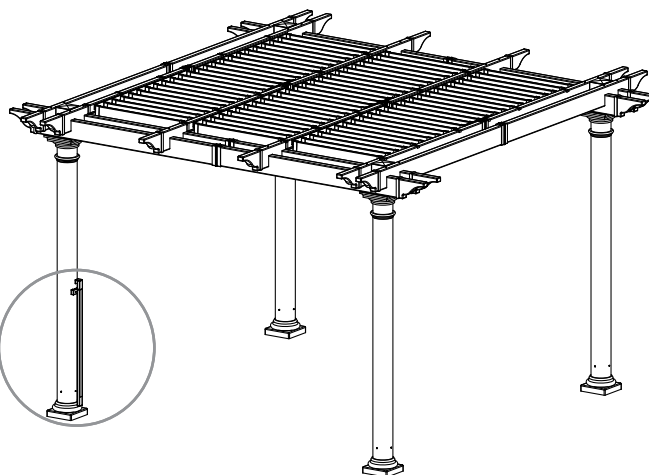
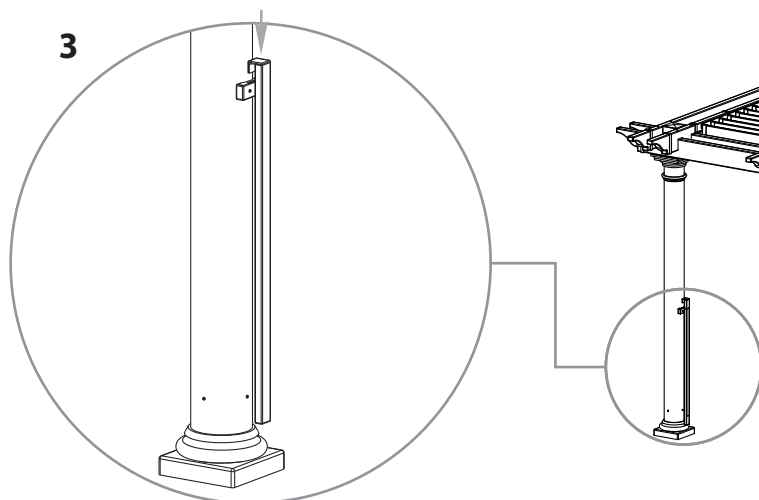
1



2



3



OPERATIONS

1

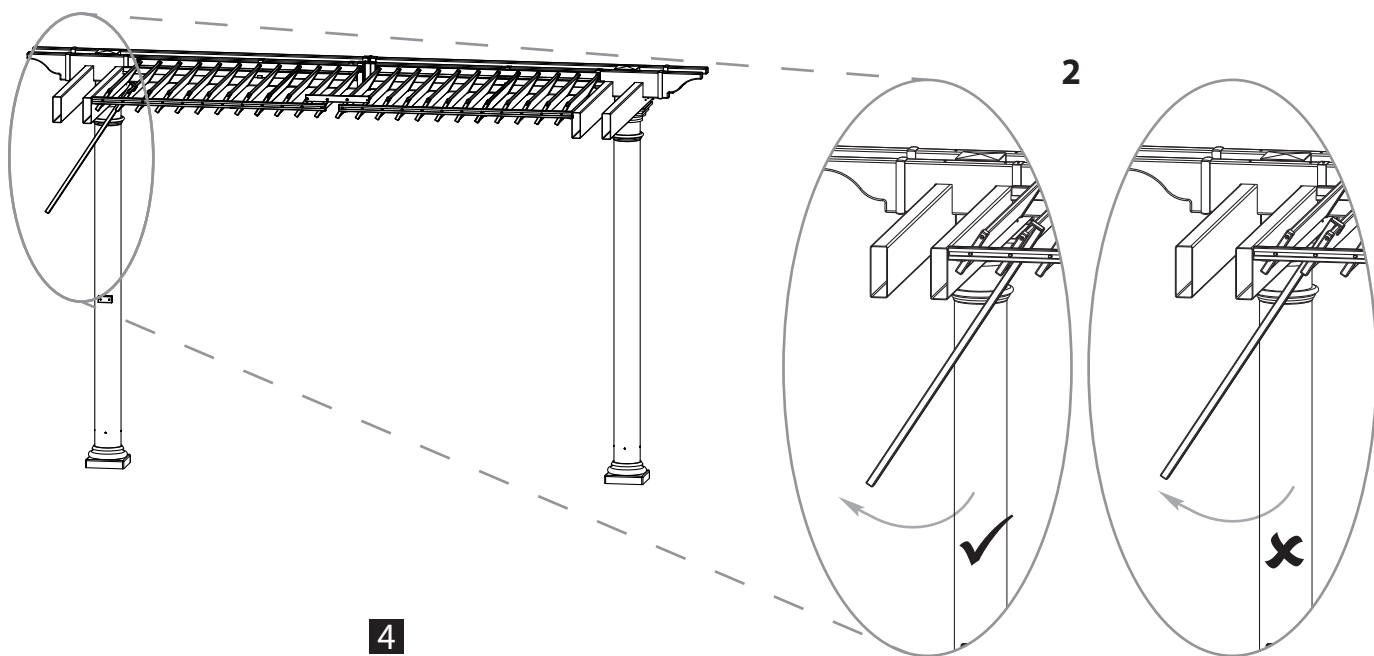
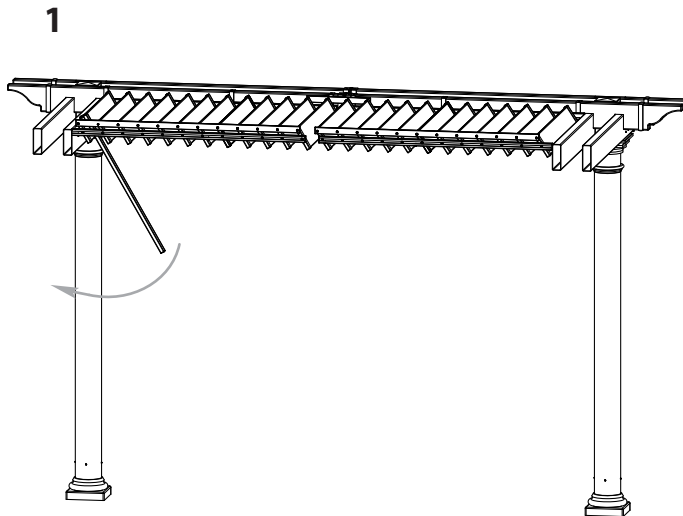
To adjust the positions of the louvers, slide the Turn Bar in between two louver boards and turn in a circular motion to the desired position. Excessive force should not be required.

2

For best leverage, push with the arm of the Turn Bar as opposed to 'prying' with the Turn Bar Cap(see illustrations).

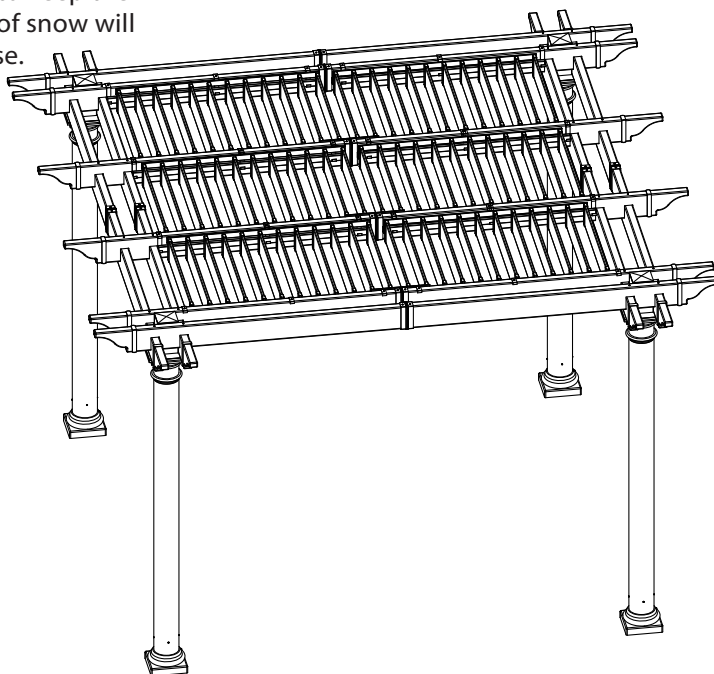
3

If operation proves to be difficult, this may be caused by nut(s) that are too tight. Troubleshoot which nut is too tight by turning them one by one, check for resistance, and loosen the nut slightly. Only loosen the nut a quarter of a turn at a time as it may come off.



4

If your area experiences heavy snow, make sure to keep the louvers in the **OPEN** position. The accumulation of snow will cause the louvers to buckle and collapse.



New England
Arbors

Leadership by Design

www.newenglandarbors.com
www.newenglandarbors.co.uk

MODIFICATION

The footprint of the pergola is 115" x 115" measured to the centre of the posts. If a smaller dimension is required, a few guidelines should be considered:

1

It is easier to shorten the pergola by the way shown - by shortening the lengths of the louver boards and the beams versus shortening the lengths of the pre-assembled louver bars.

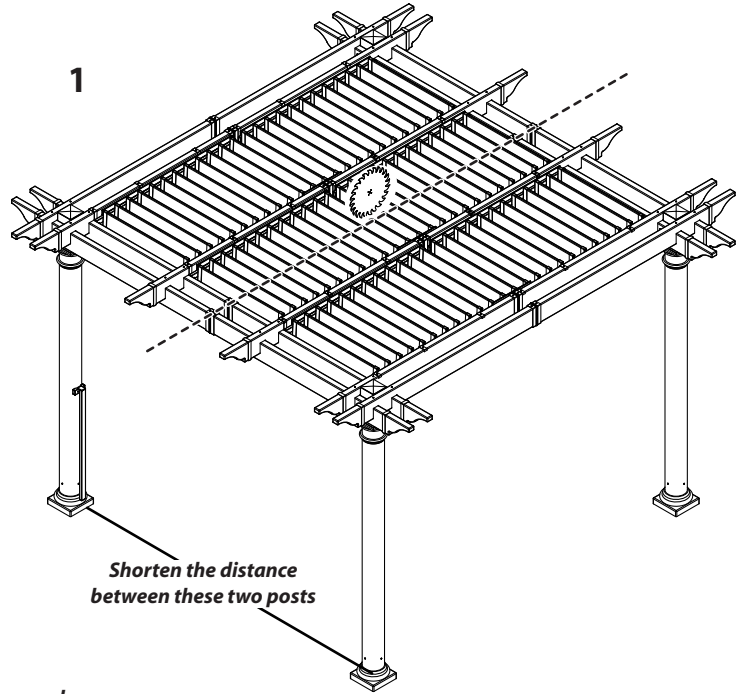
2

Asthetically, it is best to cut all 84 boards equally so that they are even across the three rows. However, cutting only one or two rows will involve less labor.

3

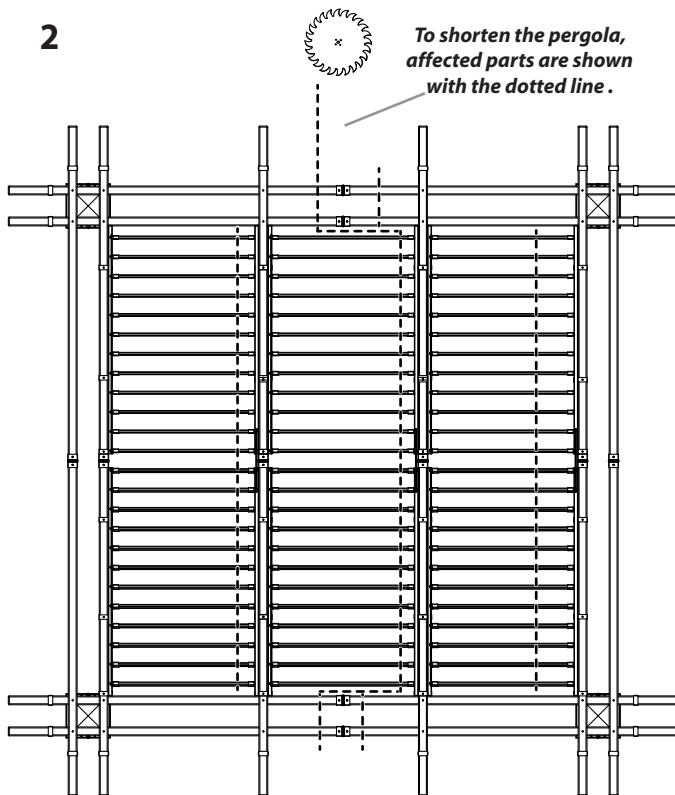
The beams shall be cut at the middle (away from the pre-drilled hole), and equally on both halves to ensure the symmetry of the pergola.

See example on next page.



Shorten the distance between these two posts

2



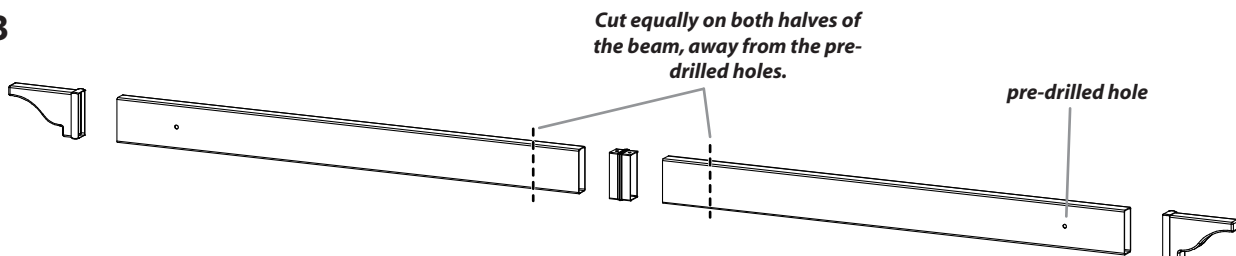
To shorten the pergola, affected parts are shown with the dotted line.

Note: These images are for informational purposes only and are not to scale

New England
Arbors
Leadership by Design

www.newenglandarbors.com
www.newenglandarbors.co.uk

3



Cut equally on both halves of the beam, away from the pre-drilled holes.

pre-drilled hole

MODIFICATIONS

Below is an example of resizing the pergola:
[In this example, the new dimensions are 139" x 121"]

All 72 louver boards are cut down by 6" (15.2 cm)
All 8 Beams are cut down by 9" (22.9 cm)

