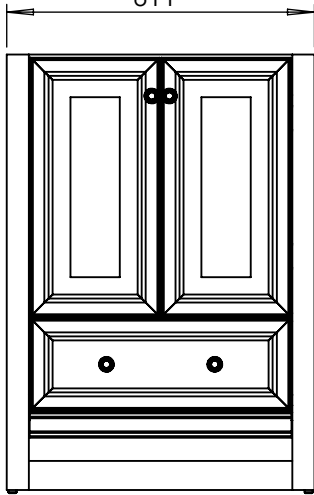


Top view

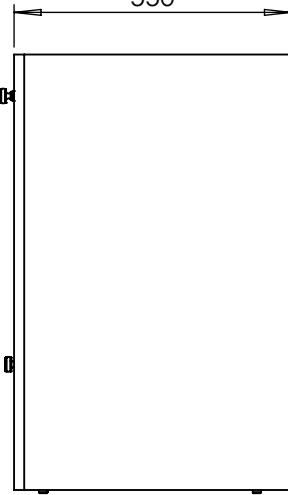
[24.06]
611



Front view

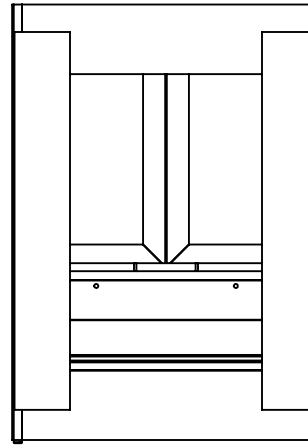
[34.02]
864

[21.65]
550

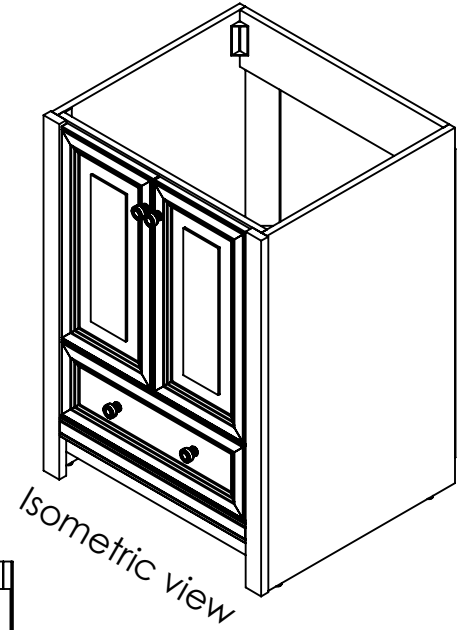


Side view

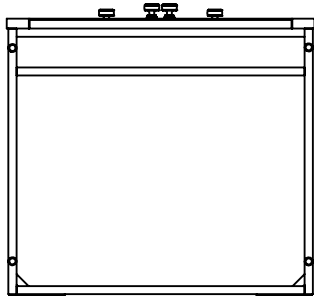
[34.02]
864



Back view



Isometric view



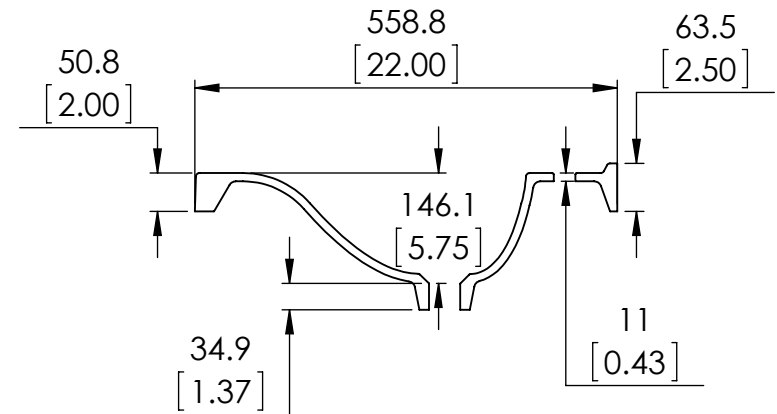
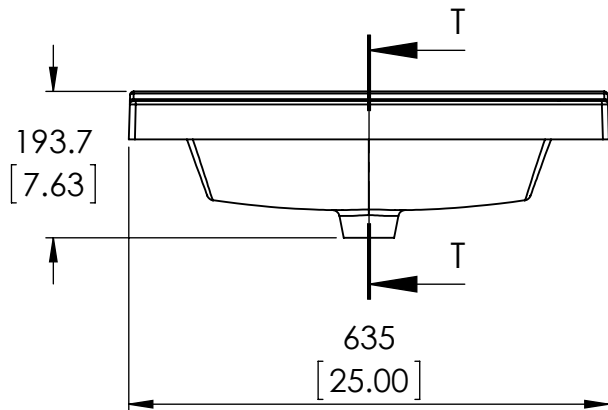
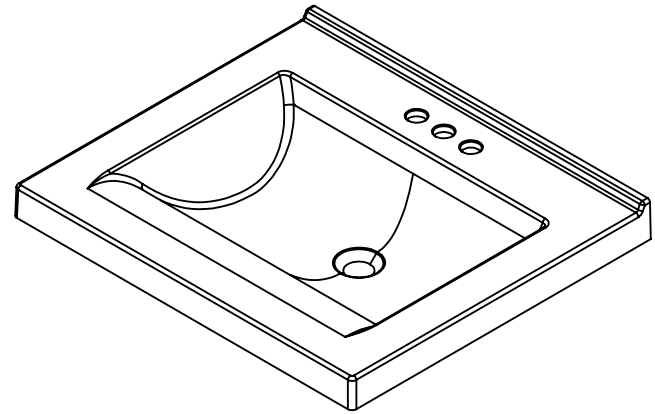
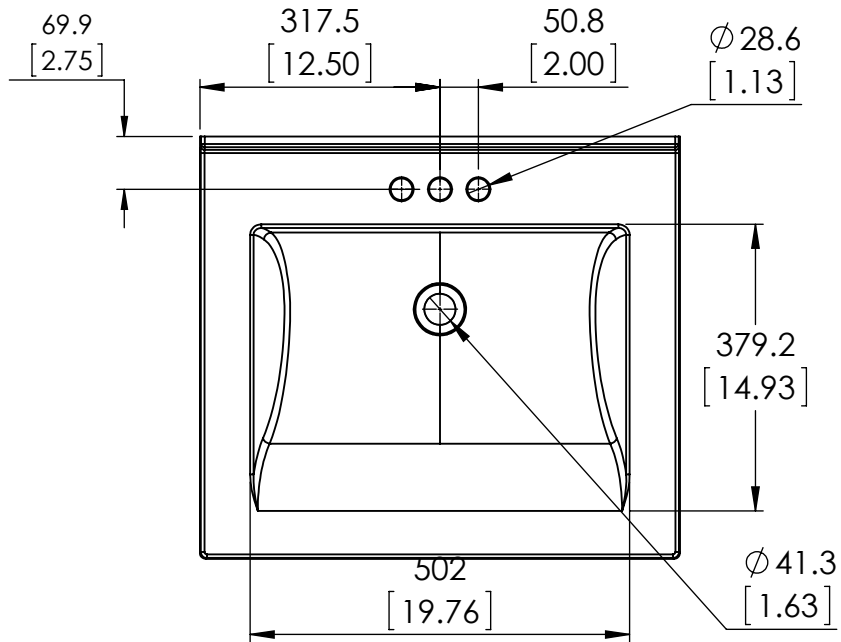
Bottom view

DWR	AEP	10/21/19
REV	ING	10/21/19
APR	R&D	10/21/19

PROJECT:		Shark tank 24in
ITEM:	-	REV A
NAME:		Brinkhill 24in
MATERIAL:		German beech 4/4 Particle board

ITEM TYPE	ITEM ID	ITEM DESCRIPTION	DRAWING STATUS
FG	HU25R-WH	Vtop Wave 25 x 22 V2 - FG	Approved for production

REV	CHANGE	DATE	APPROVAL
0	Released	11/25/19	E. SANDOVAL



PROPRIETARY AND CONFIDENTIAL
 THE INFORMATION CONTAINED IN THIS DRAWING IS THE SOLE PROPERTY OF WOODCRAFTERS. ANY REPRODUCTION IN PART OR AS A WHOLE WITHOUT THE WRITTEN PERMISSION OF WOODCRAFTERS IS PROHIBITED.

UNLESS OTHERWISE SPECIFIED
 DIMENSIONS ARE IN MM. AND [INCHES]
 TOLERANCES ARE
 + 3.175 [0.125] - 3.175 [0.125]
 SCALE:1:10

	NAME	DATE
DRAWN	O. Razo	11/25/2019
CHECKED	E. SANDOVAL	11/25/2019
ENG APPR.	W. Amaya	11/25/2019
MFG APPR.	A. Casiano	11/25/2019

Wood Crafters

SIZE DWG. NO. **A** FG SHEET 1 OF 1