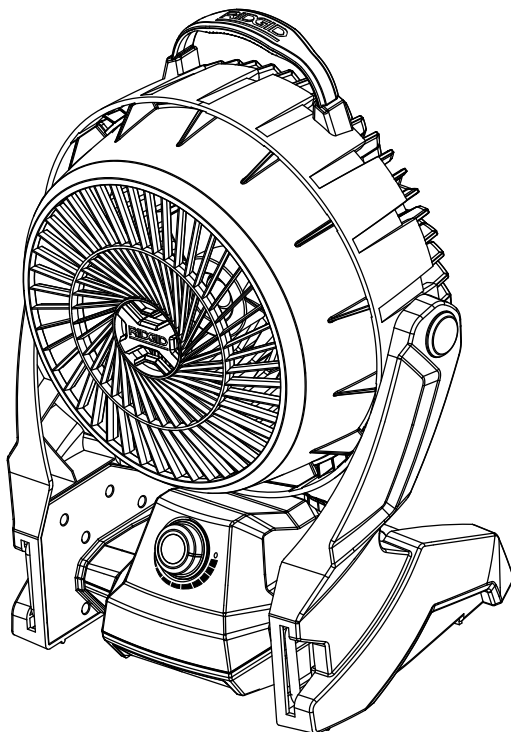




OPERATOR'S MANUAL
MANUEL D'UTILISATION
MANUAL DEL OPERADOR
18 V HYBRID PORTABLE FAN
VENTILATEUR PORTATIF
HYBRIDE DE 18 V
VENTILADOR PORTÁTIL DE
HÍBRIDA DE 18 V

R860720



To register your RIDGID product, please visit:
<http://register.RIDGID.com>

Pour enregistrer votre produit de RIDGID, s'il vous plaît la visite :
<http://register.RIDGID.com>

Para registrar su producto de RIDGID, por favor visita:
<http://register.RIDGID.com>

TABLE OF CONTENTS

- Important Safety Instructions.....2
- Portable Fan Safety Warnings3
- Electrical4
- Symbols5
- Assembly6
- Operation6-7
- Maintenance7
- Illustrations.....8-9
- Parts Ordering and ServiceBack page

TABLE DES MATIÈRES

- Instructions importantes concernant la sécurité 2
- Avertissements de sécurité relatifs ventilateur portatif 3
- Caractéristiques électriques 4
- Symboles 5
- Assemblage 6
- Utilisation6-7
- Entretien 7
- Illustrations.....8-9
- Commande de pièces et dépannagePage arrière

ÍNDICE DE CONTENIDO

- Instrucciones de seguridad importantes.....2
- Advertencias de seguridad ventilador portátil.....3
- Aspectos eléctricos4
- Símbolos.....5
- Armado6
- Funcionamiento 6-7
- Mantenimiento7
- Ilustraciones 8-9
- Pedidos de piezas y servicioPág. posterior

⚠ WARNING:

To reduce the risk of injury, the user must read and understand the operator's manual before using this product.

⚠ AVERTISSEMENT :

Pour réduire les risques de blessures, l'utilisateur doit lire et veiller à bien comprendre le manuel d'utilisation avant d'utiliser ce produit.

⚠ ADVERTENCIA:

Para reducir el riesgo de lesiones, el usuario debe leer y comprender el manual del operador antes de usar este producto.

SAVE THIS MANUAL FOR FUTURE REFERENCE

CONSERVER CE MANUEL POUR FUTURE RÉFÉRENCE

GUARDE ESTE MANUAL PARA FUTURAS CONSULTAS

IMPORTANT SAFETY INSTRUCTIONS

WARNING

Read and save these instructions. Failure to follow all instructions listed below, may result in electric shock, fire and/or serious personal injury.

SAVE THESE INSTRUCTIONS

WORK AREA

- **Keep your work area clean and well lit.** Cluttered benches and dark areas invite accidents.
- **Do not operate portable fans in explosive atmospheres, such as in the presence of flammable liquids, gases, or dust.** Portable fans create sparks which may ignite the dust or fumes.

ELECTRICAL SAFETY

- **A battery operated portable fan with integral batteries or a separate battery pack must be recharged only with the specified charger for the battery.** A charger that may be suitable for one type of battery may create a risk of fire when used with another battery.
- **Use battery operated portable fan only with specifically designated battery pack.** Use of any other batteries may create a risk of fire.
- **Use battery only with charger listed.** For use with 18V nickel-cadmium and 18V lithium-ion battery packs, see tool/appliance/battery pack/charger correlation supplement 988000-302.
- **Do not defeat the safety purpose of the polarized or grounding-type plug.** A polarized plug has two blades with one wider than the other. A grounding type plug has two blades and a third grounding prong. The wide blade or the third prong are provided for your safety. If the provided plug does not fit into your outlet, consult an electrician for replacement of the obsolete outlet.
- **Protect the power cord from being walked on or pinched particularly at plugs, convenience receptacles, and the point where they exit from the product.**
- **Unplug this product during lightning storms or when not in use.**

PERSONAL SAFETY

- **Dress properly. Do not wear loose clothing or jewelry. Contain long hair. Keep your hair, clothing, and gloves away from moving parts.** Loose clothes, jewelry, or long hair can be caught in moving parts.
- **Avoid accidental starting. Be sure switch is in the locked or off position before inserting battery pack or extension cord.** Carrying portable fans with your finger on the switch or inserting the battery pack or

extension cord into a portable fan with the switch on invites accidents.

- **Do not overreach. Keep proper footing and balance at all times.** Proper footing and balance enable better control of the portable fan in unexpected situations.
- **Do not wear loose clothing or jewelry. Contain long hair.** Loose clothes, jewelry, or long hair can be drawn into air vents.
- **Do not use on a ladder or unstable support.** Stable footing on a solid surface enables better control of the portable fan in unexpected situations.

PORTABLE FAN USE AND CARE

- **Do not use portable fan if switch does not turn it on or off.** A portable fan that cannot be controlled with the switch is dangerous and must be repaired.
- **Disconnect battery pack or extension cord from portable fan or place the switch in the locked or off position before making any adjustments, changing accessories, or storing the portable fan.** Such preventive safety measures reduce the risk of starting the portable fan accidentally.
- **When battery pack is not in use, keep it away from other metal objects like: paper clips, coins, keys, nails, screws, or other small metal objects that can make a connection from one terminal to another.** Shorting the battery terminals together may cause sparks, burns, or a fire.
- **Keep the portable fan and its handle dry, clean and free from oil and grease.** Always use a clean cloth when cleaning. Never use brake fluids, gasoline, petroleum-based products, or any strong solvents to clean your portable fan. Following this rule will reduce the risk of loss of control and deterioration of the enclosure plastic.
- **To reduce the risk of electric shock, do not use this fan near water, especially when it is powered by the power cord.**
- **Clean only with dry cloth.**
- **Do not operate near any heat sources such as radiators, heat registers, stoves, or other apparatus (including amplifiers) that produce heat.**

SERVICE

- **Portable fan service must be performed only by qualified repair personnel.** Service or maintenance performed by unqualified personnel may result in a risk of injury.
- **When servicing a portable fan, use only identical replacement parts. Follow instructions in the Maintenance section of this manual.** Use of unauthorized parts or failure to follow Maintenance Instructions may create a risk of shock or injury.

PORTABLE FAN SAFETY WARNINGS

- **Know your portable fan. Read operator's manual carefully. Learn its applications and limitations, as well as the specific potential hazards related to this portable fan.** Following this rule will reduce the risk of electric shock, fire, or serious injury.
- **Battery tools do not have to be plugged into an electrical outlet; therefore, they are always in operating condition.** Be aware of possible hazards when not using your battery tool or when changing accessories. Following this rule will reduce the risk of electric shock, fire, or serious personal injury.
- **Do not place portable fans or their batteries near fire or heat.** This will reduce the risk of explosion and possibly injury.
- **Do not crush, drop or damage battery pack. Do not use a battery pack or charger that has been dropped or received a sharp blow.** A damaged battery is subject to explosion. Properly dispose of a dropped or damaged battery immediately.
- **Batteries can explode in the presence of a source of ignition, such as a pilot light.** To reduce the risk of serious personal injury, never use any cordless product in the presence of open flame. An exploded battery can propel debris and chemicals. If exposed, flush with water immediately.
- **Do not charge portable fan battery in a damp or wet location.** Following this rule will reduce the risk of electric shock.
- **For best results, your battery should be charged in a location where the temperature is more than 50°F but less than 100°F. Do not store outside or in vehicles.**
- **Under extreme usage or temperature conditions, battery leakage may occur. If liquid comes in contact with your skin, wash immediately with soap and water, then neutralize with lemon juice or vinegar. If liquid gets into your eyes, flush them with clean water for at least 10 minutes, then seek immediate medical attention.** Following this rule will reduce the risk of serious personal injury.
- **Do not incinerate the battery even if it is severely damaged.** The batteries can explode in a fire.
- **To reduce the risk of fire or electric shock, do not use this portable fan with any solid-state speed control device.**
- **Not for use in kitchens, bathrooms or other places where water may be present.**
- **For general ventilating use only.** Do not use to exhaust hazardous or explosive materials and vapors.
- **Make sure your extension cord is in good condition. When using an extension cord, be sure to use one heavy enough to carry the current your product will draw. A wire gauge size (A.W.G.) of at least 16 is recommended for an extension cord 100 feet or less in length. A cord exceeding 100 feet is not recommended. If in doubt, use the next heavier gauge. The smaller the gauge number, the heavier the cord.** An undersized cord will cause a drop in line voltage resulting in loss of power and overheating.
- **To reduce the risk of personal injury and electric shock, the portable fan should not be played with or placed where small children can reach it.**
- **To reduce the risk of electric shock, do not expose to water or rain.**
- **Never attempt to power the device with a battery pack and extension cord at the same time.**
- **Save these instructions.** Refer to them frequently and use them to instruct others who may use this tool. If you loan someone this tool, loan them these instructions also.

CALIFORNIA PROPOSITION 65

WARNING

This product may contain chemicals, including lead, known to the State of California to cause cancer, birth defects or other reproductive harm. ***Wash hands after handling.***

ELECTRICAL

DOUBLE INSULATION

Double insulation is a concept in safety in electric products, which eliminates the need for the usual three-wire grounded power cord. All exposed metal parts are isolated from the internal metal motor components with protecting insulation. Double insulated products do not need to be grounded.

WARNING:

The double insulated system is intended to protect the user from shock resulting from a break in the product's internal wiring. Observe all normal safety precautions to avoid electrical shock.

NOTE: Servicing of a product with double insulation requires extreme care and knowledge of the system and should be performed only by a qualified service technician. For service, we suggest you return the product to your nearest authorized service center for repair. Always use original factory replacement parts when servicing.

ELECTRICAL CONNECTION

This product should be connected to a **power supply that is 120 volts, AC only (normal household current), 60 Hz.** Do not operate this product on direct current (DC) through the power cord. A substantial voltage drop will cause a loss of power and the motor will overheat. If the product does not operate when plugged into an outlet, double-check the power supply.

EXTENSION CORDS

When using a product at a considerable distance from a power source, be sure to use an extension cord that has the capacity to handle the current the product will draw. An undersized cord will cause a drop in line voltage, resulting in overheating and loss of power. Use the chart to determine

the minimum wire size required in an extension cord. Only round jacketed cords listed by Underwriter's Laboratories (UL) should be used.

When using this product outdoors, use an extension cord that is designed for outside use. This type of cord is designated with "WA" or "W" on the cord's jacket.

Before using any extension cord, inspect it for loose or exposed wires and cut or worn insulation.

**Ampere rating (on product data plate)

Cord Length	Wire Size (A.W.G.)					
	0-2.0	2.1-3.4	3.5-5.0	5.1-7.0	7.1-12.0	12.1-16.0
25'	16	16	16	16	14	14
50'	16	16	16	14	14	12
100'	16	16	14	12	10	—

**Used on 12 gauge - 20 amp circuit

NOTE: AWG = American Wire Gauge

WARNING:




Keep the extension cord clear of the working area. Position the cord so that it will not get caught on lumber, tools, or other obstructions while you are working with this product. Failure to do so can result in serious personal injury.

WARNING:








Check extension cords before each use. If damaged replace immediately. Never use a product with a damaged cord since touching the damaged area could cause electrical shock resulting in serious injury.

SYMBOLS

The following signal words and meanings are intended to explain the levels of risk associated with this product.

SYMBOL	SIGNAL	MEANING
	DANGER:	Indicates an imminently hazardous situation, which, if not avoided, will result in death or serious injury.
	WARNING:	Indicates a potentially hazardous situation, which, if not avoided, could result in death or serious injury.
	CAUTION:	Indicates a potentially hazardous situation, which, if not avoided, may result in minor or moderate injury.
	NOTICE:	(Without Safety Alert Symbol) Indicates important information not related to an injury hazard, such as a situation that may result in property damage.

Some of the following symbols may be used on this product. Please study them and learn their meaning. Proper interpretation of these symbols will allow you to operate the product better and safer.

SYMBOL	NAME	DESIGNATION/EXPLANATION
	Safety Alert	Indicates a potential personal injury hazard.
	Read Operator's Manual	To reduce the risk of injury, user must read and understand operator's manual before using this product.
	Wet Conditions Alert	Do not expose to rain or use in damp locations.
	Recycle Symbols	This product uses nickel-cadmium (Ni-Cd) and lithium-ion (Li-ion) batteries. Local, state or federal laws may prohibit disposal of batteries in ordinary trash. Consult your local waste authority for information regarding available recycling and/or disposal options.
V	Volts	Voltage
A	Amperes	Current
Hz	Hertz	Frequency (cycles per second)
W	Watt	Power
min	Minutes	Time
	Direct Current	Type or a characteristic of current
	Alternating Current	Type of current
	Class II Tool	Double-insulated construction

ASSEMBLY

WARNING:

Do not use this product if it is not completely assembled or if any parts appear to be missing or damaged. Use of a product that is not properly and completely assembled or with damaged or missing parts could result in serious personal injury.

WARNING:

Do not attempt to modify this product or create accessories or attachments not recommended for use with this product. Any such alteration or modification is misuse and could result in a hazardous condition leading to possible serious personal injury.

If any parts are damaged or missing, please call 1-866-539-1710 for assistance.

OPERATION

WARNING:

Do not allow familiarity with tools to make you careless. Remember that a careless fraction of a second is sufficient to inflict serious injury.

WARNING:

Do not use any attachments or accessories not recommended by the manufacturer of this tool. The use of attachments or accessories not recommended can result in serious personal injury.

WARNING:

Always remove battery pack or unplug extension cord from your product when you are assembling parts, making adjustments, cleaning, or when not in use. Removing battery pack or unplugging extension cord will prevent accidental starting that could cause serious personal injury.

NOTE: The battery pack should be recharged after approximately 5 hours of use to reduce the possibility of damage. Repeated deep discharge of the battery may decrease storage capacity and battery life.

APPLICATIONS

You may use this tool for the purpose listed below:

- General ventilation of most household and outdoor spaces
-

NOTICE:

This product is designed to be powered by either a RIDGID 18V battery pack (DC mode) or by electric power (AC mode). Either power source can be used by installing an approved battery pack or power cord into the product as described in this manual.

INSTALLING/REMOVING BATTERY PACK

See Figure 1, page 8.

- Turn the control knob to the **OFF (O)** position.
 - Open the battery cover.
 - Insert the battery pack into the product as shown.
 - Make sure the latches on each side of the battery pack snap into place and the battery pack is secured before beginning operation.
 - Depress the latches to remove the battery pack.
 - Close the battery cover.
-

INSTALLING/REMOVING POWER CORD

See Figure 2, page 8.

- Turn the control knob to the **OFF (O)** position.
 - Open the battery cover.
 - Insert the female end of the power cord into the product as shown.
 - Connect the male end of the power cord to the power source.
 - Make sure the power cord is secured before beginning operation.
-

STARTING/STOPPING THE PORTABLE FAN

See Figure 3, page 8.

- Connect the portable fan to a power cord or approved battery pack.
 - Turn the control knob clockwise to turn the portable fan **ON** and to adjust fan speed.
 - To stop the portable fan, turn the control knob counterclockwise to the **OFF (O)** position.
-

WARNING:

Hybrid tools are always in operating condition. Therefore, the control knob should always be in the **OFF (O)** position when not in use and the power source is removed.

OPERATION

CHANGING PORTABLE FAN SPEED

See Figure 3, page 8.

- For low speeds, rotate the control knob clockwise.
- For high speeds, rotate the control knob counterclockwise.

HANGING/MOUNTING PORTABLE FAN

See Figures 4 - 11, page 9.

Your portable fan has a variety of hanging options. Choose the option that is best suited for your location.

NOTE: The portable fan can be hung in a vertical or horizontal position. Be careful not to hang the fan in such a way that it prevents normal fan operation or damages the cord.

Hanging the fan using the key hole:

- Place the wide portion of the key hole over the head of a screw.
- Slide the portable fan down until the screw is inside the narrow portion of the key hole and the fan is secure.

Hanging the fan using the hooks:

- Pull the hooks completely out of their slots and rotate them as needed.

NOTE: Hooks will not rotate until they are fully extended.

- Hang the fan from a sturdy location.

Mounting the fan to 2x wood material using the hooks:

- Pull the hooks completely out of their slots and rotate them upward 180 degrees.

NOTE: Hooks will not rotate until they are fully extended.

- Put the wider side of the 2x wood material on the clamping surface of the fan legs. The edge of the wood should rest against the front surface of the legs.
- Rotate the hooks down 180 degrees to clamp the fan to the 2x wood material.
- To remove the fan from the 2x wood material, rotate the hooks 180 degrees to the upward position.

Mounting the fan to rods using the rod pockets:

- The fan can be mounted to rods, tubes, or rebar using the pockets on the base of the fan.

NOTE: The mounting posts must have a diameter between 0.5 and 0.9 inches.

Mounting the fan to a tripod using the tripod mounting hole:

- Place the fan on the tripod mounting screw. Make sure the mounting hole, on the base of the fan, seats completely on the mounting screw.
- Turn the fan clockwise to secure.

Mounting the fan to a 2x4 using the 2x4 recess:

- Place the fan onto a 2x4. Make sure the wood is seated completely inside the 2x4 recess.
- Secure the fan to the wood using bungee cords or tie downs.

ADJUSTING THE HEAD

See Figure 4, page 9.

The portable fan head can be rotated 240 degrees. To switch head positions, adjust head to desired position.

MAINTENANCE

WARNING:

When servicing, use only identical replacement parts. Use of any other parts can create a hazard or cause product damage.

WARNING:

To avoid serious personal injury, always remove the battery pack or extension cords from the product when cleaning or performing any maintenance.

GENERAL MAINTENANCE

Avoid using solvents when cleaning plastic parts. Most plastics are susceptible to damage from various types of commercial solvents and may be damaged by their use. Use clean cloths to remove dirt, dust, oil, grease, etc.

WARNING:

Do not at any time let brake fluids, gasoline, petroleum-based products, penetrating oils, etc., come in contact with plastic parts. Chemicals can damage, weaken or destroy plastic which can result in serious personal injury.

NOTE: ILLUSTRATIONS START ON PAGE 8 AFTER FRENCH AND SPANISH LANGUAGE SECTIONS.

These products have a 90-Day Satisfaction Guarantee Policy, as well as a Three-year Limited Warranty.

For Warranty and Policy details, please go to www.RIDGID.com or call (toll free) 1-866-539-1710.

INSTRUCTIONS IMPORTANTES CONCERNANT LA SÉCURITÉ

AVERTISSEMENT

LIRE ET CONSERVER CES INSTRUCTIONS. Le non respect de toutes les instructions ci-dessous peut entraîner un choc électrique, un incendie et / ou des blessures graves.

CONSERVER CES INSTRUCTIONS

LIEU DE TRAVAIL

- **Garder le lieu de travail propre et bien éclairé.** Les établis encombrés et les endroits sombres sont propices aux accidents.
- **Ne pas utiliser d' ventilateur portatifs électriques dans des atmosphères explosives, par exemple en présence de liquides, gaz ou poussières inflammables.** Les ventilateurs électriques produisent des étincelles risquant d'enflammer les poussières ou vapeurs.

SÉCURITÉ ÉLECTRIQUE

- **Les piles des ventilateurs électriques, qu'elles soient intégrées ou amovibles, ne doivent être rechargées qu'avec l'appareil spécifié.** Un chargeur approprié pour un type de pile peut créer un risque d'incendie s'il est utilisé avec un autre type de pile.
- **Utiliser exclusivement le blocs-piles spécifiquement indiqué pour le ventilateur.** L'usage de tout autre bloc peut créer un risque d'incendie.
- **Ne recharger les piles qu'avec l'appareil indiqué.** Pour utiliser l'appareil avec des piles au nickel-cadmium et au lithium-ion de 18 V, consulter le supplément de raccordement pour chargeur/ outils/piles/appareil n° 988000-302.
- **Ne pas neutraliser la fonction de sécurité de la fiche polarisée ou du type mise à la terre.** Une fiche polarisée a deux lames, dont l'une est plus large que l'autre. Une fiche du type mise à la terre a elle aussi deux lames, en plus d'une broche de mise à la terre. La lame la plus large et la broche ont pour but d'assurer la sécurité. Si la fiche fournie ne se branche pas dans la prise, demander à un électricien de remplacer la prise désuète.
- **Protéger le cordon d'alimentation pour que personne ne marche dessus ou ne le pince, en particulier au niveau des fiches, des prises de courant et des points où il sort de l'appareil.**
- **Débrancher cet appareil pendant les orages électriques ou lorsque l'outil n'est pas utilisé.**

SÉCURITÉ PERSONNELLE

- **Porter une tenue appropriée. Ne porter ni vêtements amples, ni bijoux. Attacher ou couvrir les cheveux longs. Garder les cheveux, les vêtements et les gants à l'écart des pièces en mouvement.** Les vêtements amples, bijoux et cheveux longs peuvent se prendre dans les pièces en mouvement.
- **Éviter les démarrages accidentels. S'assurer que la gâchette est verrouillée en position d'arrêt avant d'insérer le blocs-piles o cordon prolongateur.** Le transport du ventilateur avec le

doigt sur le commutateur ou l'insertion du blocs-piles o cordon prolongateur avec le commutateur en position de marche est une invite aux accidents.

- **Ne pas travailler hors de portée. Toujours se tenir bien campé et en équilibre.** Une bonne tenue et un bon équilibre permettent de mieux contrôler le ventilateur en cas de situation imprévue.
- **Ne porter ni vêtements amples, ni bijoux. Attacher ou couvrir les cheveux longs.** Les vêtements amples, bijoux et cheveux longs peuvent se prendre dans les ouïes d'aération.
- **Ne pas utiliser le ventilateur sur une échelle ou un support instable.** Une bonne tenue et un bon équilibre permettent de mieux contrôler le ventilateur en cas de situation imprévue.

UTILISATION ET ENTRETIEN DE L'VENTILATEUR PORTATIF

- **Ne pas utiliser le ventilateur si le commutateur ne permet pas de le mettre en marche ou de l'arrêter.** Un ventilateur qui ne peut pas être contrôlé par son commutateur est dangereux et doit être réparé.
- **Déconnecter le blocs-piles o cordon prolongateur et mettre le commutateur en position d'arrêt ou de verrouillage avant d'effectuer des réglages, de changer d'accessoire ou de remiser le ventilateur.** Ces mesures de sécurité réduisent les risques de démarrage accidentel du ventilateur.
- **Lorsque le blocs-piles n'est pas en usage, le tenir à l'écart d'articles métalliques tels que : les attaches trombones, pièces de monnaie, clous, vis et autres petits objets métalliques risquant d'établir le contact entre les deux bornes.** La mise en court-circuit des bornes de piles peut causer des étincelles, des brûlures ou un incendie.
- **Garder le ventilateur et sa poignée secs, propres et exempts d'huile ou de graisse.** Toujours utiliser un chiffon propre pour le nettoyage. Ne jamais utiliser de liquide de freins, d'essence, de produits à base de pétrole ou de solvants forts pour nettoyer l' ventilateur. Le respect de ces règles réduira les risques de perte de contrôle et d'endommagement du boîtier en plastique.
- **Pour réduire le risque de décharge électrique, ne pas utiliser le ventilateur près de l'eau surtout s'il est alimenté par le cordon d'alimentation.**
- **Ne nettoyer l'appareil qu'avec un chiffon sec.**
- **Ne pas installer l'appareil près de sources de chaleur telles que radiateurs, bouches de chaleurs, poêles ni d'autres appareils (y compris les amplificateurs) qui produisent de la chaleur.**

DÉPANNAGE

- **Le dépannage des ventilateurs doit être confié exclusivement à un personnel qualifié.** Les réparations ou entretiens effectués par des personnes non qualifiées présentent des risques de blessures.
- **Utiliser exclusivement des pièces identiques à celles d'origine pour les réparations. Se conformer aux instructions de la section Entretien de ce manuel.** L'usage de pièces non autorisées ou le non-respect des instructions peut présenter des risques de choc électrique ou de blessures.

AVERTISSEMENTS DE SÉCURITÉ RELATIFS VENTILATEUR PORTATIF

- **Apprendre à connaître le ventilateur. Lire attentivement le manuel d'utilisation. Apprendre les applications et les limites du ventilateur, ainsi que les risques spécifiques relatifs à son utilisation.** Le respect de cette consigne réduira les risques d'incendie, de choc électrique et de blessures graves.
- **Les outils fonctionnant sur piles n'ayant pas besoin d'être branchés sur une prise de courant, ils sont toujours en état de fonctionnement.** Tenir compte des dangers possibles lorsque l'produit n'est pas en usage et lors du remplacement des piles. Le respect de cette consigne réduira les risques d'incendie, de choc électrique et de blessures graves.
- **Ne pas placer les ventilateurs sans fil ou leurs piles à proximité de flammes ou d'une source de chaleur.** Ceci réduira les risques d'explosion et de blessures.
- **Ne pas écraser, faire tomber ou endommager le bloc de piles. Ne pas utiliser un bloc de piles ou un chargeur endommagé ou soumis à un choc violent.** Une pile endommagée risque d'exploser. Éliminer immédiatement toute pile endommagée, selon une méthode appropriée.
- **Les piles peuvent exploser en présence d'une source d'allumage, telle qu'une veilleuse.** Pour réduire les risques de blessures graves, ne jamais utiliser un appareil sans fil, quel qu'il soit, en présence d'une flamme vive. En explosant, une pile peut projeter des débris et des produits chimiques. En cas d'exposition, rincer immédiatement les parties atteintes avec de l'eau.
- **Ne pas recharger un ventilateur fonctionnant sur piles dans un endroit humide ou mouillé.** Le respect de cette règle réduira les risques de choc électrique.
- **Pour un résultat optimal, les piles doivent être rechargées dans un local où la température est de 10 à 38 °C (50 à 100° F). Ne pas ranger le ventilateur à l'extérieur ou dans un véhicule.**
- **Si le ventilateur est utilisé de façon intensive ou sous des températures extrêmes, des fuites de pile peuvent se produire. En cas de contact du liquide avec la peau, rincer immédiatement la partie atteinte avec de l'eau savonneuse, puis neutraliser avec du jus de citron ou du vinaigre. En cas d'éclaboussure dans les yeux, les rincer à l'eau fraîche pendant au moins 10 minutes, puis contacter immédiatement un médecin.** Le respect de cette consigne réduira les risques de blessures graves.
- **Ne pas incinérer le piles même s'il est très endommagé.** Les piles peuvent exploser dans le feu.
- **Pour réduire les risques d'incendie et de choc électrique, ne pas utiliser de ventilateur avec un dispositif de contrôle de vitesse à circuit solide.**
- **Ne pas utiliser dans les cuisines, salles de bain ou autres endroits où il y a présence d'eau.**
- **Pour une utilisation générale uniquement.** Ne pas utiliser pour évacuer des vapeurs et des matériaux dangereux ou explosifs.
- **S'assurer que le cordon prolongateur est en bon état. Si un cordon prolongateur est utilisé, s'assurer que sa capacité est suffisante pour supporter le courant de fonctionnement de l'outil. Un calibre de fil (A.W.G) d'au minimum 16 est recommandé pour un cordon prolongateur de 30 m (100 pi) maximum. L'usage d'un cordon de plus de 30 m (100 pi) est déconseillé. En cas de doute, utiliser un cordon du calibre immédiatement supérieur. Moins le numéro de calibre est élevé, plus la capacité du fil est grande.** Un cordon de capacité insuffisante causerait une baisse de la tension de ligne, entraînant une perte de puissance et une surchauffe.
- **Pour réduire le risque de blessure et de chocs électriques, le ventilateur ne doit pas être utilisé comme un jouet ou placé à portée des enfants.**
- **Pour réduire le risque de chocs électriques, ne pas exposer à l'eau ou à la pluie.**
- **Ne jamais tenter de mettre simultanément le dispositif sous tension par le bloc-piles et le cordon d'alimentation.**
- **Conserver ces instructions.** Les consulter fréquemment et les utiliser pour instruire les autres utilisateurs éventuels. Si cet outil est prêté, il doit être accompagné de ces instructions.

PROPOSITION 65 DE L'ÉTAT DE CALIFORNIE

AVERTISSEMENT

Ce produit peut contenir des produits chimiques, notamment du plomb qui, selon l'État de la Californie, peuvent causer le cancer, des anomalies congénitales et d'autres dommages au système reproducteur. ***Bien se laver les mains après toute manipulation.***

CARACTÉRISTIQUES ÉLECTRIQUES

DOUBLE ISOLATION

La double isolation est un dispositif de sécurité utilisé sur les produits à moteur électriques, éliminant le besoin de cordon d'alimentation habituel à trois fils avec terre. Toutes les pièces métalliques exposées sont isolées des composants internes du moteur par l'isolation protectrice. Les produits à double isolation ne nécessitent pas de mise à la terre.

AVERTISSEMENT :

Le système à double isolation est conçu pour protéger l'utilisateur contre les chocs électriques causés par une rupture du câblage interne de l'produit. Prendre toutes les précautions de sécurité normales pour éviter les chocs électriques.

NOTE : La réparation d'un produit à double isolation exigeant des précautions extrêmes ainsi que la connaissance du système, elle ne doit être confiée qu'à un réparateur qualifié. En ce qui concerne les réparations, nous recommandons de confier l'produit au centre de réparation le plus proche. Utiliser exclusivement des pièces d'origine pour les réparations.

CONNEXIONS ÉLECTRIQUES

Il doit être branché uniquement sur **une alimentation 120 V, 60 Hz, c.a. (courant résidentiel standard)**. Ne pas l'utiliser sur une source de courant continu (c.c.) en le reliant par le cordon d'alimentation. Une chute de tension importante causerait une perte de puissance et une surchauffe du moteur. Si l'produit ne fonctionne pas une fois branché, vérifier l'alimentation électrique.

CORDONS PROLONGATEURS

Lors de l'utilisation d'un outil électrique à grande distance d'une prise secteur, veiller à utiliser un cordon prolongateur d'une capacité suffisante pour supporter l'appel de courant de l'produit. Un cordon de capacité insuffisante causerait une baisse de la tension de ligne, entraînant une perte de

puissance et une surchauffe. Se reporter au tableau ci-dessous pour déterminer le calibre minimum de fil requis pour un cordon donné. Utiliser exclusivement des cordons à gaine cylindrique homologués par Underwriter's Laboratories (UL).

Pour le travail à l'extérieur, utiliser un cordon prolongateur spécialement conçu à cet effet. Ce type de cordon porte l'inscription « WA » ou « W » sur sa gaine.

Avant d'utiliser un cordon prolongateur, vérifier que ses fils ne sont ni détachés ni exposés et que son isolation n'est ni coupée, ni usée.

**Intensité nominale (sur la plaquette signalétique de l'produit)

0-2,0 2,1-3,4 3,5-5,0 5,1-7,0 7,1-12,0 12,1-16,0

Longueur du cordon	Calibre de fil (A.W.G.)					
	0-2,0	2,1-3,4	3,5-5,0	5,1-7,0	7,1-12,0	12,1-16,0
25'	16	16	16	16	14	14
50'	16	16	16	14	14	12
100'	16	16	14	12	10	—

**Utilisé sur circuit de calibre 12 – 20 A

NOTE : AWG = American Wire Gauge

AVERTISSEMENT :




Maintenir le cordon prolongateur à l'écart de la zone de travail. Lors du travail avec un cordon électrique, placer le cordon de manière à ce qu'il ne risque pas de se prendre dans les pièces de bois, produits et autres obstacles. Ne pas prendre cette précaution peut entraîner des blessures graves.

AVERTISSEMENT :








Vérifier l'état des cordons prolongateurs avant chaque utilisation. Remplacer immédiatement tout cordon endommagé. Ne jamais utiliser un produit dont le cordon d'alimentation est endommagé, car tout contact avec la partie endommagée pourrait causer un choc électrique et des blessures graves.

SYMBOLES

Les termes de mise en garde suivants et leur signification ont pour but d'expliquer le degré de risques associé à l'utilisation de ce produit.

SYMBOLE	SIGNAL	SIGNIFICATION
	DANGER :	Indique une situation extrêmement dangereuse qui, si elle n'est pas évitée, aura pour conséquences des blessures graves ou mortelles.
	AVERTISSEMENT :	Indique une situation potentiellement dangereuse qui, si elle n'est pas évitée, pourrait entraîner des blessures graves ou mortelles.
	ATTENTION :	Indique une situation potentiellement dangereuse qui, si elle n'est pas évitée, pourrait entraîner des blessures légères ou de gravité modérée.
	AVIS :	(Sans symbole d'alerte de sécurité) Indica información importante no relacionada con ningún peligro de lesiones, como una situación que puede ocasionar daños físicos.

Certains des symboles ci-dessous peuvent être utilisés sur produit. Veiller à les étudier et à apprendre leur signification. Une interprétation correcte de ces symboles permettra d'utiliser produit plus efficacement et de réduire les risques.

SYMBOLE	NOM	DÉSIGNATION / EXPLICATION
	Symbole d'alerte de sécurité	Indique un risque de blessure potentiel.
	Lire le manuel d'utilisation	Pour réduire les risques de blessures, l'utilisateur doit lire et veiller à bien comprendre le manuel d'utilisation avant d'utiliser ce produit.
	Avertissement concernant l'humidité	Ne pas exposer à la pluie ou l'humidité.
	Symboles de recyclage	Ce produit utilise les piles de nickel-cadmium (Ni-Cd) ou lithium-ion (Li-ion). Les réglementations locales ou gouvernementales peuvent interdire de jeter les piles dans les ordures ménagères. Consulter les autorités locales compétentes pour les options de recyclage et/ou l'élimination.
V	Volts	Tension
A	Ampères	Intensité
Hz	Hertz	Fréquence (cycles par seconde)
W	Watt	Alimentation
min	Minutes	Temps
	Courant continu	Type ou caractéristique du courant
	Courant alternatif	Type de courant
	Outil de la classe II	Construction à double isolation

ASSEMBLAGE

AVERTISSEMENT :

Ne pas utiliser le produit s'il n'est pas complètement assemblé ou si des pièces semblent manquantes ou endommagées. Le fait d'utiliser un produit assemblé de façon inadéquate ou incomplète peut entraîner des blessures graves.

AVERTISSEMENT :

Ne pas essayer de modifier cet outil ou de créer des accessoires non recommandés pour l'outil. De telles altérations ou modifications sont considérées comme un usage abusif et peuvent créer des conditions dangereuses, risquant d'entraîner des blessures graves.

Si des pièces sont manquantes ou endommagées, appeler le 1-866-539-1710.

UTILISATION

AVERTISSEMENT :

Ne pas laisser la familiarité avec l'outil faire oublier la prudence. Ne pas oublier qu'une fraction de seconde d'inattention peut entraîner des blessures graves.

AVERTISSEMENT :

Ne pas utiliser d'outils ou accessoires non recommandés par le fabricant pour cet outil. L'utilisation de pièces et accessoires non recommandés peut entraîner des blessures graves.

AVERTISSEMENT :

Toujours retirer le bloc-piles o cordon prolongateur de le produit au moment d'assembler des pièces, d'effectuer des réglages et de procéder au nettoyage, ou lorsque l'outil n'est pas utilisé. Le fait de retirer la pile o cordon prolongateur permet d'empêcher un démarrage accidentel pouvant entraîner des blessures graves.

NOTE : Le blocs-piles doit être rechargé après environ 5 heures d'utilisation pour réduire les risques de dommage. Une décharge profonde répétée de la pile peut réduire la capacité de remisage et la durée de vie de la pile.

APPLICATIONS

Cet outil peut être utilisé pour l'application ci-dessous :

- Ventilation générale de la plupart des pièces de la maison et l'extérieur

AVIS :

Ce produit a été conçu pour être alimenté par un bloc-piles de 18 V de RIDGID (mode CC) ou une source d'alimentation électrique (mode CA). L'une des sources d'alimentation peut être utilisée soit par un bloc-piles approuvé ou par le cordon d'alimentation du produit, comme décrit dans ce manuel.

INSTALLATION / RETRAIT DU CORDON D'ALIMENTATION

Voir la figure 2, page 8.

- Pour éteindre, tourner le bouton de commande à la position **ARRÊT (O)**.
- Ouvrir le couvercle des piles.
- Insérer la partie femelle du cordon d'alimentation dans le produit, comme illustré.
- Raccorder la fiche du cordon d'alimentation dans une source d'énergie.
- S'assurer que le cordon d'alimentation est raccordé correctement avant d'allumer le ventilateur.

MISE EN MARCHÉ ET ARRÊT DU VENTILATEUR PORTATIF

Voir la figure 3, page 8.

- Raccorder le ventilateur portatif à une cordon d'alimentation ou un bloc-piles approuvé.
- Tourner le bouton de commande vers la droite pour mettre le ventilateur portatif à la position **MARCHE** et régler la vitesse du ventilateur.
- Pour éteindre le ventilateur portatif, tourner le bouton de commande vers la gauche à la position **ARRÊT (O)**.

INSTALLATION / RETRAIT DU BLOC-PILES

Voir la figure 1, page 8.

- Pour éteindre, tourner le bouton de commande à la position **ARRÊT (O)**.
- Ouvrir le couvercle des piles.
- Insérer la bloc-piles dans l'outil tel qu'illustré.
- S'assurer que ses deux loquets latéraux s'engagent correctement et vérifier que le bloc-piles est solidement assujéti avant d'utiliser produit.
- Relâcher les loquets pour retirer le bloc-piles.
- Fermer le couvercle des piles.

AVERTISSEMENT :

Les outils hybrides sont toujours en état de fonctionnement. Cependant, le bouton de commande devrait toujours être en position **D'ARRÊT (O)** et le cordon débranché de la source d'alimentation dès la fin de son utilisation.

UTILISATION

MODIFICATION DE LA VITESSE DU VENTILATEUR PORTATIF

Voir la figure 3, page 8.

- Tourner le bouton de commande vers la droite pour choisir les basses vitesses.
- Tourner le bouton de commande vers la gauche pour choisir les vitesses élevées.

POUR PENDRE LE VENTILATEUR PORTATIF

Voir les figures 4 à 11, page 9.

Ce ventilateur portatif possède plusieurs options de suspension. Choisir l'option la mieux adaptée à l'endroit choisi.

NOTE : Le ventilateur portatif peut être suspendu à la verticale ou à l'horizontale. Éviter de suspendre le ventilateur de manière à nuire à son fonctionnement normal ou à endommager son cordon.

Suspension du ventilateur par les trous piriformes :

- Insérer la tête d'une vis dans la partie la plus large du trou piriforme.
- Abaisser le ventilateur portatif jusqu'à ce que la vis se retrouve dans la partie étroite du trou piriforme et s'assurer que le ventilateur est fermement suspendu.

Suspension du ventilateur par les crochets :

- Tirer complètement les crochets hors de leurs fentes et les tourner selon le besoin.

NOTE : Les crochets ne tourneront pas tant qu'ils ne sont pas complètement dépliés.

- Suspendre le ventilateur à une surface solide.

Suspension du ventilateur par les crochets à un morceau de bois de 50,8 mm (2 po) :

- Tirer complètement les crochets hors de leurs fentes et les tourner vers le haut sur 180 degrés.

NOTE : Les crochets ne tourneront pas tant qu'ils ne sont pas complètement dépliés.

- Placer le côté le plus large du morceau de bois de 50,8 mm (2 po) sur la surface de bridage des pattes du ventilateur. Le bord du bois devrait reposer contre la surface frontale des pattes.
- Tourner les crochets vers le bas sur 180 degrés pour fixer le ventilateur au morceau de bois de 50,8 mm (2 po).
- Pour retirer le ventilateur du morceau de bois de 50,8 mm (2 po), tourner les crochets sur 180 degrés vers le haut.

Installation sur des tringles par les poches pour tringle :

- Le ventilateur peut être monté sur des tringles, tubes et une barre d'armature en utilisant les poches situées sur la base du ventilateur.

NOTE : Le diamètre des montants doit être de 12,7 à 22,9 mm (0,5 à 0,9 po)

Installation du ventilateur sur un trépied avec la monture du trou du trépied :

- Placer le ventilateur sur la vis de montage du trépied. S'assurer que la monture du trou, sur la base du ventilateur, est bien alignée avec la vis de montage.
- Tourner le ventilateur vers la droite pour fixer.

Installation du ventilateur sur un morceau de 50,8 x 101,6 mm (2 x 4 po) avec le retrait pour 50,8 x 101,6 mm (2 x 4 po) :

- Placer le ventilateur sur un morceau de 50,8 x 101,6 mm (2 x 4 po). S'assurer que le morceau de bois est complètement insérée à l'intérieur du retrait pour 50,8 x 101,6 mm (2 x 4 po).
- Attacher fermement le ventilateur au morceau de bois en utilisant les tendeurs élastiques ou les sangles.

RÉGLAGE DE LA TÊTE

Voir la figure 4, page 9.

La tête du ventilateur portatif se tourne sur 240 degrés. Pour changer les positions de tête, ajuster la tête à la position désirée.

ENTRETIEN

AVERTISSEMENT :

Utiliser exclusivement des pièces d'origine pour les réparations. L'usage de toute autre pièce pourrait créer une situation dangereuse ou endommager l'produit.

AVERTISSEMENT :

Pour éviter des blessures graves, toujours retirer les piles o cordon prolongateur de l'produit avant tout nettoyage ou entretien.

ENTRETIEN GÉNÉRAL

Éviter d'utiliser des solvants pour le nettoyage des pièces en plastique. La plupart des matières plastiques peuvent être endommagées par divers types de solvants du commerce. Utiliser un chiffon propre pour éliminer la saleté, la poussière, l'huile, la graisse, etc.

AVERTISSEMENT :

Ne jamais laisser de liquides tels que le fluide de freins, l'essence, les produits à base de pétrole, les huiles pénétrantes, etc., entrer en contact avec les pièces en plastique. Les produits chimiques peuvent endommager, affaiblir ou détruire le plastique, ce qui peut entraîner des blessures graves.

NOTE : ILLUSTRATIONS COMMENÇANT SUR 8 DE PAGE APRÈS LA SECTION ESPAGNOL.

Ce produit est accompagné d'une politique de satisfaction de 90 jours et d'une garantie limitée de trois (3) ans.

Pour obtenir les détails de la garantie et de la politique, visiter le site www.RIDGID.com ou appeler (sans frais) au 1-866-539-1710.

INSTRUCCIONES DE SEGURIDAD IMPORTANTES

ADVERTENCIA

Lea y guarde estas instrucciones. El incumplimiento de las instrucciones señaladas abajo puede causar descargas eléctricas, incendios y lesiones corporales serias.

GUARDE ESTAS INSTRUCCIONES

ÁREA DE TRABAJO

- **Mantenga limpia y bien iluminada el área de trabajo.** Una mesa de trabajo mal despejada y una mala iluminación son causas comunes de accidentes.
- **No utilice ventiladores en atmósferas explosivas, como las existentes alrededor de líquidos, gases y polvos inflamables.** Los ventiladores generan chispas que pueden encender el polvo y los vapores inflamables.

SEGURIDAD ELÉCTRICA

- **Todo ventilador de baterías, ya sea de baterías integradas o de paquete de baterías separado, debe recargarse únicamente con el cargador especificado para las baterías.** Un cargador que puede ser adecuado para un tipo de baterías puede significar un riesgo de incendio si se emplea con otro tipo de baterías.
- **Utilice los ventiladores de baterías sólo con el paquete de baterías específicamente indicado.** El empleo de baterías diferentes puede presentar un riesgo de incendio.
- **Cargue las baterías solamente con el cargador indicado.** Para utilizar con paquetes de baterías de níquel-cadmio de 18 V o de iones de litio de 18 V, consulte el folleto de la herramienta/aparato/paquete de baterías/cargador complementario 988000-302.
- **No anule la característica de seguridad de la clavija polarizada o clavija del tipo de conexión a tierra.** Una clavija polarizada tiene dos patillas, una de las cuales es más ancha que la otra. Una clavija del tipo de conexión a tierra tiene dos patillas y una tercera de conexión a tierra. La patilla más ancha o la tercera patilla se suministran para seguridad del operador. Si la clavija suministrada no encaja en la toma de corriente, consulte a un electricista para que cambie la toma de corriente obsoleta.
- **Proteja el cordón eléctrico para evitar que se lo pise o pellizque, especialmente a la altura de las clavijas, de las tomas de corriente y del punto de conexión de salida del aparato.**
- **Desenchufe este aparato durante las tormentas eléctricas o cuando no se utilice la máquina.**

SEGURIDAD PERSONAL

- **Vístase adecuadamente. No vista ropas holgadas ni joyas. Recójase el cabello si está largo. Mantenga el cabello, la ropa y los guantes alejados de las piezas móviles.** Las ropas holgadas, las joyas y el cabello largo pueden engancharse en las piezas móviles.
- **Evite un arranque accidental de la unidad. Asegúrese de que el interruptor esté en la posición de aseguramiento o de apagado antes de instalar el paquete de baterías o cordón de extensión.** Llevar los ventiladores con el dedo en el interruptor o instalar el paquete de baterías o cordón de

extensión en la ventilador con el interruptor puesto es causa común de accidentes.

- **No estire el cuerpo para alcanzar mayor distancia. Mantenga una postura firme y buen equilibrio en todo momento.** La postura firme y el buen equilibrio permiten un mejor control de la ventilador en situaciones inesperadas.
- **No vista ropas holgadas ni joyas. Recójase el cabello si está largo.** Las ropas holgadas y las joyas, así como el cabello largo, pueden resultar atraídas hacia el interior de las aberturas de ventilación.
- **No utilice la unidad al estar en una escalera o en un soporte inestable.** Una postura estable sobre una superficie sólida permite un mejor control de la ventilador en situaciones inesperadas.

EMPLEO Y CUIDADO DE LA VENTILADOR PORTÁTIL

- **No utilice los ventiladores si el interruptor no enciende o no apaga.** Un ventilador que no puede controlarse con el interruptor es peligroso y debe repararse.
- **Desconecte el paquete de baterías o cordón de extensión de el ventilador o ponga el interruptor en la posición de aseguramiento o apagado antes de efectuar ajustes, de cambiar accesorios o de guardar el ventilador.** Con tales medidas preventivas de seguridad se reduce el riesgo de poner en marcha accidentalmente el ventilador.
- **Cuando no esté usando el paquete de baterías, manténgalo alejado de todo objeto metálico como: clips, monedas, llaves, clavos, tornillos y otros objetos metálicos pequeños que puedan establecer conexión entre ambas terminales.** Establecer una conexión directa entre las dos terminales puede causar chispas, quemaduras o incendios.
- **Mantenga el ventilador y el mango secos, limpios y sin aceite ni grasa.** Siempre utilice un paño limpio para la limpieza de la unidad. Nunca utilice fluidos para frenos, gasolina, productos a base de petróleo ni solventes fuertes para limpiar el ventilador. Con el cumplimiento de esta regla se reduce el riesgo de una pérdida de control y el deterioro del alojamiento de plástico de la unidad.
- **Para reducir el riesgo de descarga eléctrica, no utilice este ventilador cerca del agua, especialmente cuando está conectado a través del cable de alimentación.**
- **Limpie sólo con un paño seco.**
- **No instale cerca de fuentes de calor como, por ejemplo, radiadores, rejillas térmicas u otros aparatos que generen calor (entre ellos, amplificadores).**

SERVICIO

- **El servicio del ventilador sólo debe ser efectuado por personal de reparación calificado.** Todo servicio o mantenimiento efectuado por personal no calificado puede significar un riesgo de lesiones.
- **Al dar servicio a un ventilador, sólo utilice piezas de repuesto idénticas. Siga las instrucciones señaladas en la sección Mantenimiento de este manual.** El empleo de piezas no autorizadas o el incumplimiento de las instrucciones de mantenimiento puede significar un riesgo de descarga eléctrica o de lesiones.

ADVERTENCIAS DE SEGURIDAD VENTILADOR PORTÁTIL

- **Familiarícese con su ventilador eléctrico.** Lea cuidadosamente el manual del operador. Aprenda sus usos y limitaciones, así como los posibles peligros específicos de este ventilador. Con el cumplimiento de esta regla se reduce el riesgo de una descarga eléctrica, incendio o lesión seria.
- **Las herramientas de baterías no se necesitan conectar a una toma de corriente; por lo tanto, siempre están en condiciones de funcionamiento.** Esté consciente de los posibles peligros cuando no esté usando la herramienta de baterías o cuando esté cambiando los accesorios de la misma. Con el cumplimiento de esta regla se reduce el riesgo de una descarga eléctrica, incendio o lesión corporal seria.
- **No coloque ventiladores de baterías ni las baterías mismas cerca del fuego o del calor.** De esta manera se reduce el riesgo de explosiones y de lesiones.
- **No aplaste, deje caer o dañe el paquete de baterías. No utilice el paquete de baterías ni el cargador si han sufrido una caída o un golpe contundente.** Las baterías dañadas pueden sufrir explosiones. Deseche de inmediato toda batería que haya sufrido una caída o que haya sido dañada.
- **Las baterías pueden explotar en presencia de una fuente de inflamación, como una luz guía.** Para reducir el riesgo de lesiones corporales serias, nunca use un producto inalámbrico en presencia de llamas expuestas. La explosión de una batería puede lanzar fragmentos y compuestos químicos. Si ha quedado expuesto a la explosión de una batería, lávese de inmediato con agua.
- **No cargue ventiladores de baterías en lugares mojados o húmedos.** Con el cumplimiento de esta regla se reduce el riesgo de una descarga eléctrica.
- **Para obtener resultados óptimos, debe cargar las baterías en un lugar donde la temperatura esté entre 10° y 38° C (50° y 100° F). No guarde el ventilador a la intemperie ni en el interior de vehículos.**
- **En condiciones extremas de uso o temperatura las baterías pueden emanar líquido.** Si el líquido llega a tocarle la piel, lávese de inmediato con agua y jabón, y después neutralice los efectos con jugo de limón o vinagre. Si le entra líquido en los ojos, láveselos con agua limpia por lo menos 10 minutos, y después busque de inmediato atención médica. Con el cumplimiento de esta regla se reduce el riesgo de lesiones serias.
- **No incinere las baterías, incluso si está dañado seriamente.** Las baterías pueden estallar e incendiarse.
- **Para reducir el riesgo de incendio o descarga eléctrica, no utilice este ventilador con ningún dispositivo de control de velocidad de estado sólido.**
- **No usar en cocinas, baños u otros lugares donde haya agua.**
- **Para usos sólo de ventilación en general. No utilice para extraer materiales y vapores explosivos o peligrosos.**
- **Asegúrese de que esté en buen estado el cordón de extensión. Al utilizar un cordón de extensión, utilice uno del calibre suficiente para soportar la corriente que consume el producto. Se recomienda que los conductores sean de calibre 16 (A.W.G.) por lo menos, para un cordón de extensión de 30 metros (100 pies) de largo o menos. No se recomienda utilizar un cordón con más de 30 metros (100 pies) de largo. Si tiene dudas, utilice un cordón del siguiente calibre más grueso. Cuanto menor es el número de calibre, mayor es el grueso del cordón.** Un cordón de un grueso insuficiente causa una caída en el voltaje de línea, y produce recalentamiento y pérdida de potencia.
- **Para reducir el riesgo de lesión personal y descarga eléctrica, el ventilador portátil no debe usarse o colocarse al alcance de niños pequeños.**
- **Para reducir el riesgo de descarga eléctrica, no lo exponga a la lluvia o al agua.**
- **Nunca encienda el dispositivo con un paquete de baterías y un cordón eléctrico al mismo tiempo.**
- **Guarde estas instrucciones.** Consúltelas con frecuencia y empléelas para instruir a otras personas que puedan utilizar esta herramienta. Si presta a alguien esta herramienta, facilítele también las instrucciones.

CALIFORNIA - PROPUESTA DE LEY NÚM. 65



ADVERTENCIA

Este producto puede contener sustancias químicas (incluido el plomo) reconocidas por el estado de California como causantes de cáncer, defectos congénitos y otras afecciones del aparato reproductor. **Lávese las manos después de utilizar el aparato.**

ASPECTOS ELÉCTRICOS

DOBLE AISLAMIENTO

El doble aislamiento es una característica de seguridad de las productos eléctricas, la cual elimina la necesidad de usar el típico cordón eléctrico de tres conductores con conexión a tierra. Todas las partes metálicas expuestas están aisladas de los componentes metálicos internos del motor por medio de aislamiento de protección. No es necesario conectar a tierra las productos con doble aislamiento.

ADVERTENCIA:

El sistema de doble aislamiento está destinado para proteger al usuario contra las descargas eléctricas resultantes de la ruptura del cableado interno de la producto. Observe todas las precauciones de seguridad para evitar descargas eléctricas.

NOTA: El mantenimiento de una producto con doble aislamiento requiere sumo cuidado y conocimiento del sistema, y únicamente deben realizarlo técnicos de servicio calificados. Para el servicio de la producto, le sugerimos llevarla al centro de servicio autorizado más cercano para toda reparación. Siempre utilice piezas de repuesto de la fábrica original al dar servicio a la unidad.

CONEXIÓN ELÉCTRICA

Este producto debe conectarse únicamente a un suministro de corriente de **120 V, sólo corr. alt. (corriente normal para uso doméstico), 60 Hz.** No opere este producto con corriente directa (corr. cont.) a través del cordón eléctrico. Una caída considerable de voltaje causa una pérdida de potencia y el recalentamiento del motor. Si la producto no funciona al conectarla en una toma de corriente, vuelva a verificar el suministro de voltaje.

CORDONES DE EXTENSIÓN

Al utilizar una producto eléctrica a una distancia considerable de la fuente de voltaje, asegúrese de utilizar un cordón de extensión con la suficiente capacidad para soportar la corriente de consumo de la producto. Un cordón de un calibre insuficiente causa una caída en el voltaje de línea, la

cual a su vez produce recalentamiento y pérdida de potencia. Básese en la tabla suministrada para determinar el grueso mínimo requerido del cordón de extensión. Solamente deben utilizarse cordones con forro redondo registrados en Underwriter's Laboratories (UL).

Al trabajar a la intemperie con una producto, utilice un cordón de extensión fabricado para uso en el exterior. Este tipo de cordón lleva las letras "WA" o "W" en el forro.

Antes de utilizar un cordón de extensión, inspecciónelo para ver si tiene conductores flojos o expuestos y aislamiento cortado o gastado.

**Amperaje (aparece en la placa de datos de la producto)

Longitud del cordón	Calibre conductores (A.W.G.)					
	0-2,0	2,1-3,4	3,5-5,0	5,1-7,0	7,1-12,0	12,1-16,0
25'	16	16	16	16	14	14
50'	16	16	16	14	14	12
100'	16	16	14	12	10	—

**Se usa en los circuitos de calibre 12, de 20 amperes.

NOTA: AWG = Calibre conductores norma americana

ADVERTENCIA:




Mantenga el cordón de extensión fuera del área de trabajo. Al trabajar con una producto eléctrica, coloque el cordón de tal manera que no pueda enredarse en la madera, productos ni en otras obstrucciones. La inobservancia de esta advertencia puede causar lesiones serias.

ADVERTENCIA:






Inspeccione los cordones de extensión cada vez antes de usarlos. Si están dañados reemplácelos de inmediato. Nunca utilice la producto con un cordón dañado, ya que si toca la parte dañada puede producirse una descarga eléctrica, y las consecuentes lesiones serias.

SÍMBOLOS

Las siguientes palabras de señalización y sus significados tienen el objeto de explicar los niveles de riesgo relacionados con este producto.

SÍMBOLO	SEÑAL	SIGNIFICADO
	PELIGRO:	Indica una situación peligrosa inminente, la cual, si no se evita, causará la muerte o lesiones serias.
	ADVERTENCIA:	Indica una situación peligrosa posible, la cual, si no se evita, podría causar la muerte o lesiones serias.
	PRECAUCIÓN:	Indica una situación peligrosa posible, la cual, si no se evita, podría causar lesiones menores o leves.
	AVISO:	(Sin el símbolo de alerta de seguridad) Indica información importante no relacionada con ningún peligro de lesiones, como una situación que puede ocasionar daños físicos.

Es posible que se empleen en este producto algunos de los siguientes símbolos. Le suplicamos estudiarlos y aprender su significado. Una correcta interpretación de estos símbolos le permitirá utilizar mejor y de manera más segura el producto.

SÍMBOLO	NOMBRE	DENOMINACIÓN/EXPLICACIÓN
	Alerta de seguridad	Indica un peligro posible de lesiones personales.
	Lea el manual del operador	Para reducir el riesgo de lesiones, el usuario debe leer y comprender el manual del operador antes de usar este producto.
	Alerta de condiciones húmedas	No exponga la unidad a la lluvia ni la use en lugares húmedos.
	Símbolos de reciclado	Este producto contiene baterías de níquel-cadmio (Ni-Cd) o iones de litio (Li-ion). Es posible que algunas leyes municipales, estatales o federales prohíban desechar las baterías de níquel-cadmio en la basura normal. Consulte a las autoridades reguladoras de desechos para obtener información en relación con las alternativas de reciclado y desecho disponibles.
V	Voltios	Voltaje
A	Amperios	Corriente
Hz	Hertz	Frecuencia (ciclos por segundo)
W	Watt	Potencia
min	Minutos	Tiempo
≡	Corriente continua	Tipo o característica de corriente
~	Corriente alterna	Tipo de corriente
	Fabricación Clase II	Fabricación con doble aislamiento

ARMADO

ADVERTENCIA:

No use este producto si no está totalmente ensamblado o si alguna pieza falta o está dañada. Si utiliza un producto que no se encuentra ensamblado de forma correcta y completa, puede sufrir lesiones graves.

ADVERTENCIA:

No intente modificar esta herramienta ni hacer accesorios no recomendados para la misma. Cualquier alteración o modificación constituye maltrato el cual puede causar una condición peligrosa, y como consecuencia posibles lesiones corporales serias.

Si hay piezas dañadas o faltantes, le suplicamos llamar al 1-866-539-1710, donde le brindaremos asistencia.

FUNCIONAMIENTO

ADVERTENCIA:

No permita que su familiarización con las herramientas lo vuelva descuidado. Tenga presente que un descuido de un instante es suficiente para causar una lesión grave.

ADVERTENCIA:

No utilice ningún aditamento o accesorio no recomendado por el fabricante de esta herramienta. El empleo de aditamentos o accesorios no recomendados podría causar lesiones serias.

ADVERTENCIA:

Retire siempre el paquete de baterías o cordón de extensión del producto antes de instalar las piezas, realizar ajustes, limpiarla o cuando no la utilice. Retirar el paquete de baterías o cordón de extensión evitará que la unidad se accione accidentalmente y provoque lesiones graves.

NOTA: El paquete de la batería se debe recargar después de aproximadamente 5 horas del uso para reducir la posibilidad de dañarlo. La descarga profunda repetida de la batería puede disminuir la vida de la capacidad de almacenaje y de la batería.

USOS

Esta herramienta puede emplearse para los fines enumerados abajo:

- La ventilación general de la mayoría de los espacios de la casa y al exterior

AVISO:

Este producto está diseñado para ser alimentado con un paquete de baterías RIDGID 18 V (modo CC) o mediante alimentación eléctrica (modo CA). Puede utilizarse cualquier fuente de alimentación instalando un paquete de baterías aprobado o un cable de alimentación dentro del producto, como se describe en este manual.

INSTALACIÓN/DESMONTAR DEL PAQUETE DE BATERÍAS

Vea la figura 1, página 8.

- Gire el interruptor a la posición de **APAGADO (O)**.
- Abra la tapa de las baterías.
- Coloque el paquete de baterías en el producto como se muestra.
- Asegúrese de que los pestillos situados en ambos lados del paquete de baterías se deslicen completamente en su lugar y de que el paquete quede bien fijo en el producto antes de empezar a utilizarlo.
- Oprima los pestillos para extraer el paquete de baterías.
- Cierre la tapa de las baterías.

INSTALACIÓN/DESMONTAR DEL CABLE DE ALIMENTACIÓN

Vea la figura 2, página 8.

- Gire el interruptor a la posición de **APAGADO (O)**.
- Abra la tapa de las baterías.
- Inserte el extremo hembra del cable de alimentación dentro del producto como se muestra.
- Conecte el extremo macho del cable de alimentación a la fuente de alimentación.
- Asegúrese de que el cable de alimentación esté asegurado antes de comenzar con el funcionamiento.

ENCENDIDO Y APAGADO DE VENTILADOR PORTÁTIL

Vea la figura 3, página 8.

- Conecte el ventilador portátil a un cordón eléctrico o paquete de baterías aprobado.
- Gire el interruptor en la dirección de las agujas del reloj a la posición de **ENCENDIDO** para encender el ventilador y ajustar la velocidad del mismo.
- Para apagar el ventilador portátil, gire el interruptor en el sentido contrario a las agujas del reloj a la posición de **APAGADO (O)**.

ADVERTENCIA:

Las herramientas híbridas siempre están en condiciones de funcionamiento. Por lo tanto, el interruptor deberá permanecer en la posición de **APAGADO (O)** cuando no esté en uso y la fuente de energía se remueva.

FUNCIONAMIENTO

PARA CAMBIA LA VELOCIDAD DEL VENTILADOR PORTÁTIL

Ve la figura 3, página 8.

- Para velocidades más bajas, gire el interruptor en la dirección de las agujas del reloj.
- Para velocidades más rápidas, gire el interruptor en el sentido contrario a las agujas del reloj.

PARA COLGAR EL VENTILADOR PORTÁTIL

Ve las figuras 4 a 11, página 9.

Su ventilador portátil tiene una variedad de opciones para colgar. Elija la opción que le sea más cómoda para su ubicación.

NOTA: El ventilador portátil puede colgarse de manera vertical u horizontal. Tenga cuidado de no colgar el ventilador de manera que impida la operación normal del ventilador o le cause daños al cordón.

Colgar el ventilador usando el orificio:

- Coloque la parte ancha del orificio sobre la cabeza del tornillo.
- Deslice el ventilador portátil hacia abajo hasta que el tornillo entre a la parte angosta del orificio y el ventilador quede asegurado.

Colgar el ventilador usando los ganchos:

- Hale los ganchos completamente fuera de sus franjas y gírelos debidamente.

NOTA: Los ganchos no girarán hasta que estén completamente extendidos.

- Cuelgue el ventilador desde una ubicación fuerte.

Montar el ventilador en un material de madera 2x usando los ganchos:

- Hale los ganchos completamente fuera de sus franjas y gírelos 180 grados hacia arriba

NOTA: Los ganchos no girarán hasta que estén completamente extendidos.

- Coloque el lado más ancho del material de madera 2x en la superficie sujetadora en los pies del ventilador. El borde de la madera deberá descansar contra la superficie delantera de los pies.
- Gire los ganchos 180 grados hacia abajo para sujetar el ventilador en el material de madera 2x.
- Para remover el ventilador del material de madera 2x, gire los ganchos 180 grados hacia arriba.

Montar el ventilador con las varas usando los bolsillos de las varas:

- El ventilador puede montarse a varas, tubos, o varillas de refuerzo usando los bolsillos en la base del ventilador.

NOTA: Los postes de montaje deberán tener un diámetro entre 12,7 y 22,9 mm (0,5 y 0,9 pulg.).

Montar el ventilador a un trípode usando el orificio de montaje de trípode:

- Coloque el ventilador en el tornillo de montaje del trípode. Asegúrese que el orificio de montaje, en la base del ventilador, esté completamente sobre el tornillo de montaje.
- Gire el ventilador en dirección de las agujas del reloj para asegurarlo.

Montar el ventilador a un 2x4 usando la concavidad 2x4:

- Coloque el ventilador sobre un 2x4. Asegúrese que la madera este colocada completamente adentro de la concavidad 2x4.
- Sujete el ventilador a la madera usando cuerdas de resortes o amarrándolo.

AJUSTE DE LA CABEZA

Ve la figura 4, página 9.

La cabeza portátil del ventilador se rota 240 grados. Para cambiar las posiciones de la cabeza, ajústela a la posición deseada.

MANTENIMIENTO

ADVERTENCIA:

Al dar servicio a la unidad, sólo utilice piezas de repuesto idénticas. El empleo de piezas diferentes puede causar un peligro o dañar el producto.

ADVERTENCIA:

Para evitar lesiones corporales serias, siempre retire el paquete de baterías o cordón de extensión de la herramienta al limpiarla o darle mantenimiento.

MANTENIMIENTO GENERAL

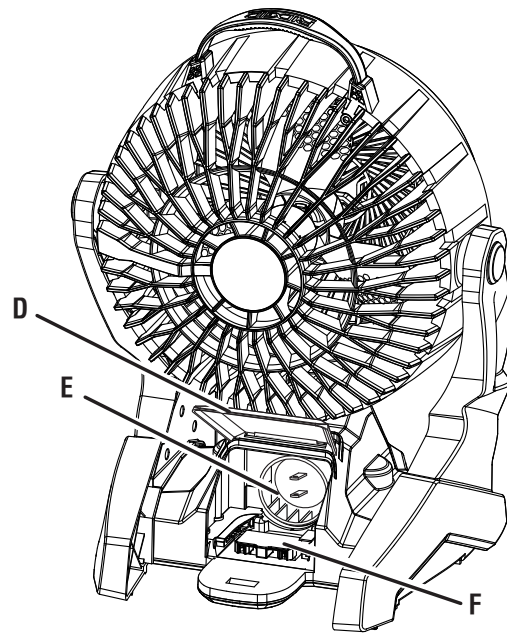
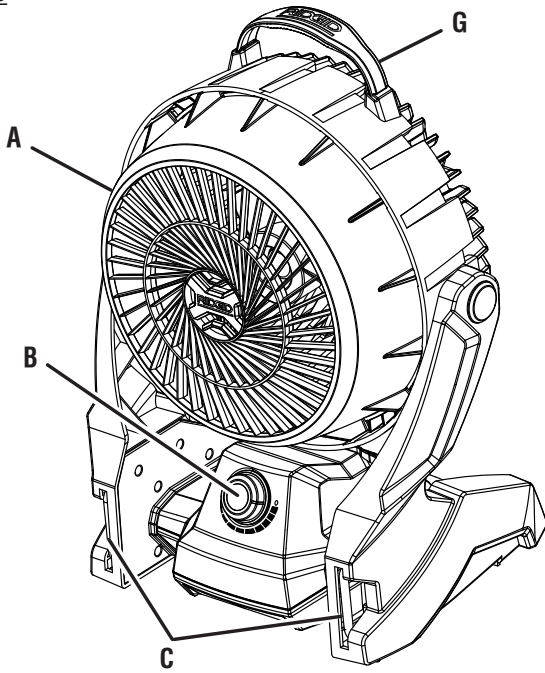
Evite el empleo de solventes al limpiar piezas de plástico. La mayoría de los plásticos son susceptibles a diferentes tipos de solventes comerciales y pueden resultar dañados. Utilice paños limpios para eliminar la suciedad, el polvo, el aceite, la grasa, etc.

ADVERTENCIA:

No permita en ningún momento que fluidos para frenos, gasolina, productos a base de petróleo, aceites penetrantes, etc., lleguen a tocar las piezas de plástico. Las sustancias químicas pueden dañar, debilitar o destruir el plástico, lo cual a su vez puede producir lesiones corporales serias.

Este producto tiene una política de satisfacción garantizada de 90 días y una garantía limitada de tres años.

Para obtener detalles sobre la garantía y la política de satisfacción garantizada, diríjase a www.RIDGID.com o llame sin cargo al 1-866-539-1710.

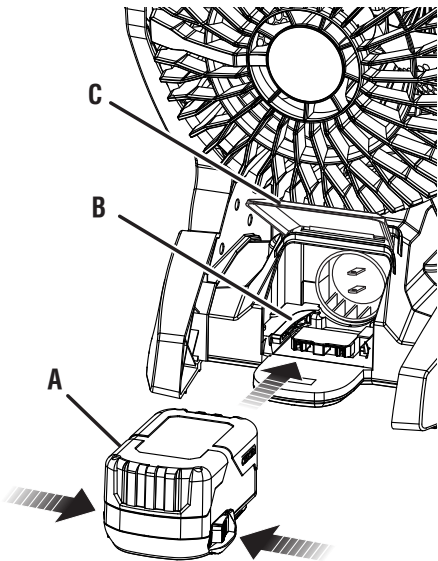


A - Adjustable head (tête ajustable, cabeza ajustable)
 B - Control knob (bouton de commande, perilla de control)

C - Hooks (crochets, ganchos)
 D - Battery cover (couverture des piles, tapa de las baterías)
 E - Receptacle (prise, receptáculo)

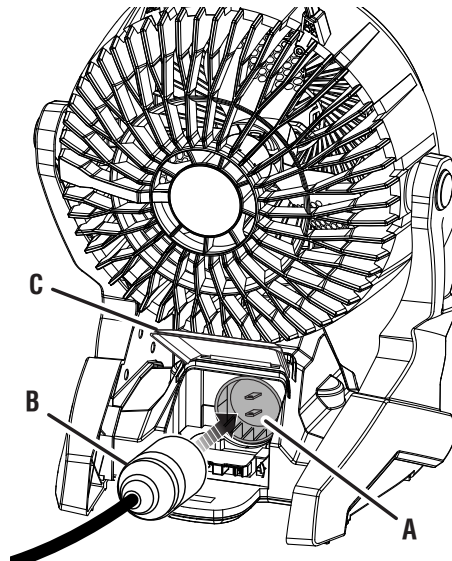
F - Battery port (logements de bloc-piles, puertos de baterías)
 G - Carrying handle (poignée de transport, mango de acarreo)

Fig. 1



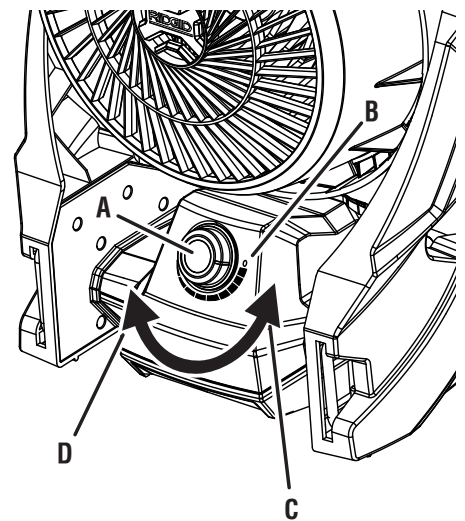
A - Battery pack (bloc-pile, paquete de batería)
 B - Battery port (logements de bloc-piles, puertos de baterías)
 C - Battery cover (couverture des piles, tapa de las baterías)

Fig. 2



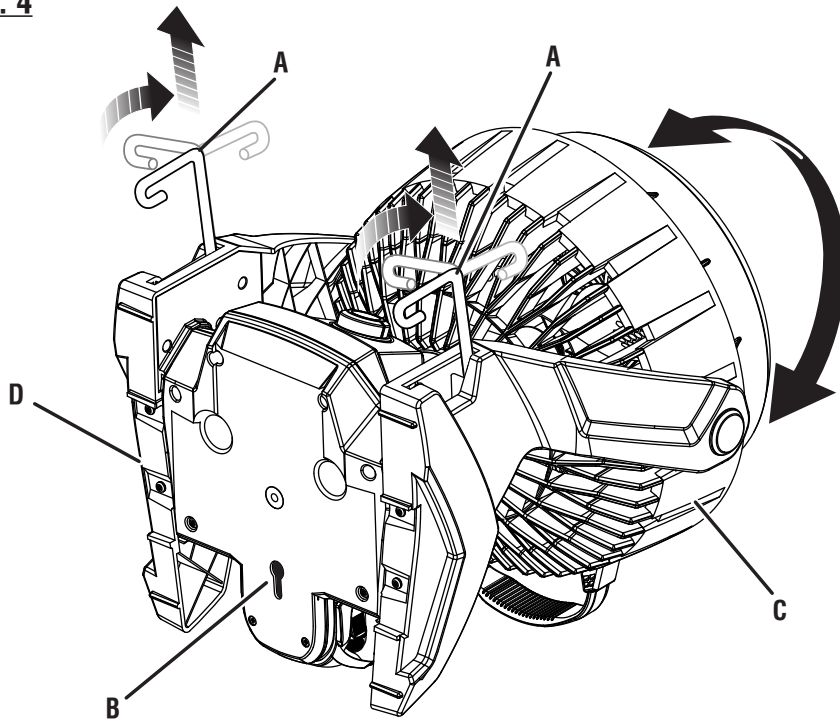
A - Receptacle (prise, receptáculo)
 B - Power cord (cordon d'alimentation, cordón de corriente)
 C - Battery cover (couverture des piles, tapa de las baterías)

Fig. 3



A - Control knob (bouton de commande, perilla de control)
 B - Off (O) [arrêt (O), apagado (O)]
 C - To decrease speed (pour réduire la vitesse, para disminuir la velocidad)
 D - To increase speed (pour augmenter la vitesse, para aumentar la velocidad)

Fig. 4



A - Hooks (crochets, ganchos)
 B - Key Hole (trou clé, agujero para la llave)

C - Adjustable head (tête ajustable, cabeza ajustable)

Fig. 5

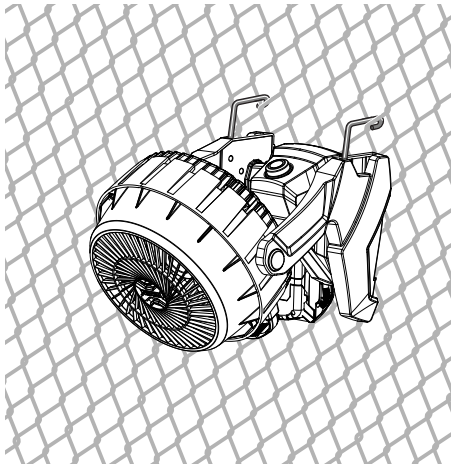


Fig. 6

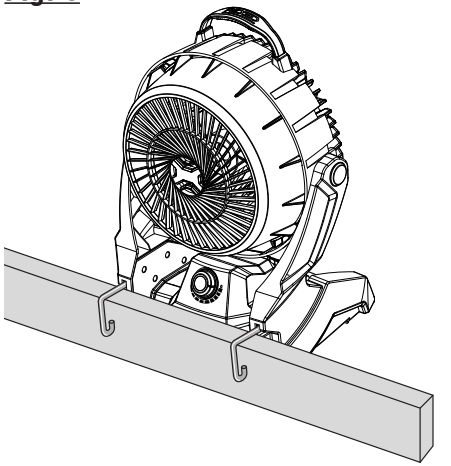


Fig. 7

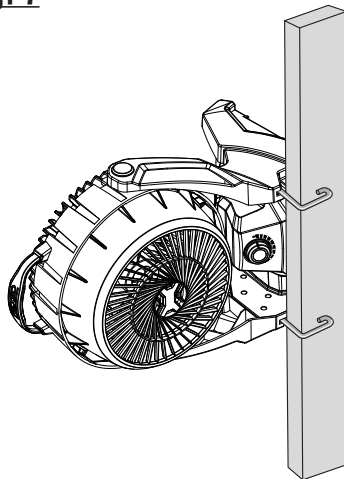
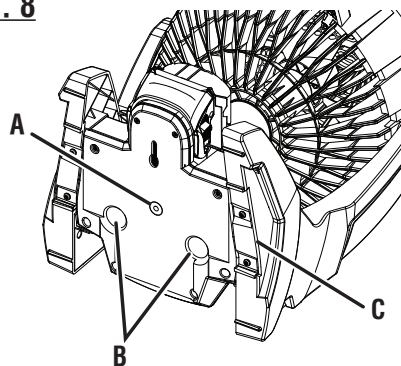


Fig. 8



A - Tripod mounting hole (monture du trou du trépied, montaje para agujero para trípode)
 B - Pocket (poche, bolsillo)
 C - Recess (retrait, rebaje)

Fig. 9

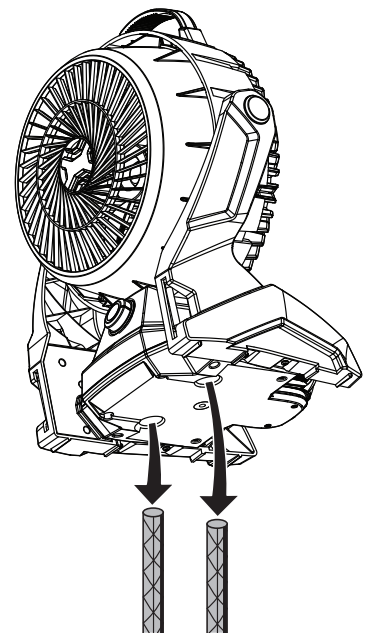


Fig. 10

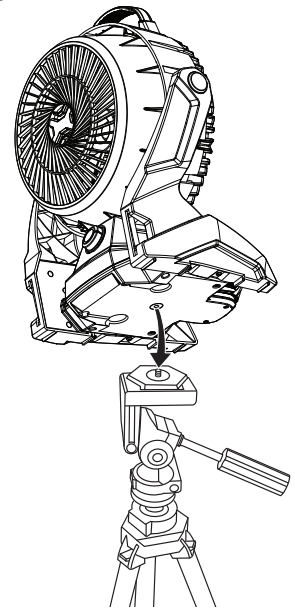
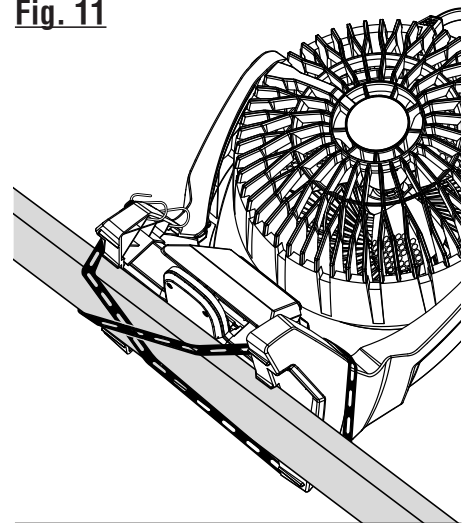


Fig. 11



OPERATOR'S MANUAL

MANUEL D'UTILISATION

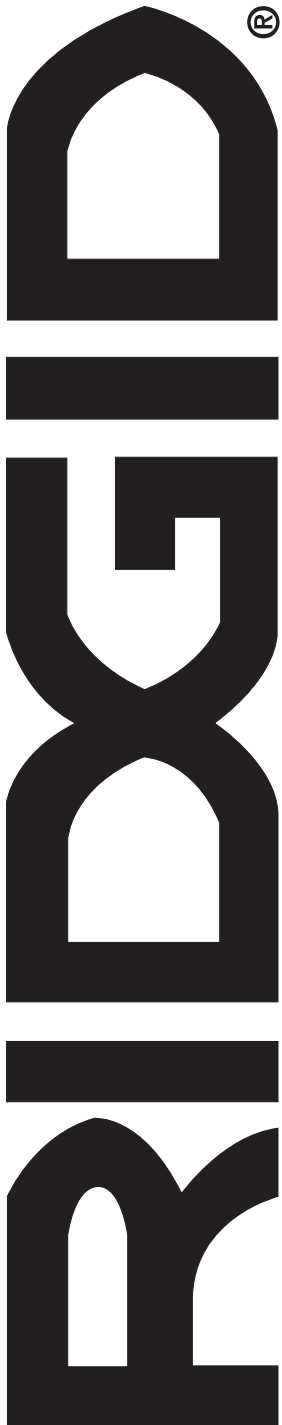
MANUAL DEL OPERADOR

18 V HYBRID PORTABLE FAN

VENTILATEUR PORTATIF HYBRIDE DE 18 V

VENTILADOR PORTÁTIL DE HÍBRIDA DE 18 V

R860720



Customer Service Information:

For parts or service, do not return this product to the store. Contact your nearest RIDGID® authorized service center. Be sure to provide all relevant information when you call or visit. For the location of the authorized service center nearest you, please call 1-866-539-1710 or visit us online at www.RIDGID.com.

MODEL NO. _____ SERIAL NO. _____

Service après-vente :

Pour acheter des pièces ou pour un dépannage, ne pas retourner ce produit au magasin. Contacter le centre de réparations RIDGID® agréé le plus proche. Veiller à fournir toutes les informations pertinentes lors de tout appel téléphonique ou visite. Pour obtenir l'adresse du centre de réparations agréé le plus proche, téléphoner au 1-866-539-1710 ou visiter notre site www.RIDGID.com.

NO. DE MODÈLE _____ NO. DE SÉRIE _____

Información sobre servicio al consumidor:

Para piezas de repuesto o servicio, no devuelva este producto a la tienda. Comuníquese con el centro de servicio autorizado de productos RIDGID® de su preferencia. Asegúrese de proporcionar todos los datos pertinentes al llamar o al presentarse personalmente. Para obtener información sobre el centro de servicio autorizado más cercano a usted, le suplicamos llamar al 1-866-539-1710 o visitar nuestro sitio en la red mundial, en la dirección www.RIDGID.com.

NÚM. DE MODELO _____ NÚM. DE SERIE _____

ONE WORLD TECHNOLOGIES, INC.

P.O. Box 35, Hwy. 8
Pickens, SC 29671, USA
1-866-539-1710 ■ www.RIDGID.com

RIDGID is a registered trademark of RIDGID, Inc., used under license.