



**Assembly Instructions
Model 51527**

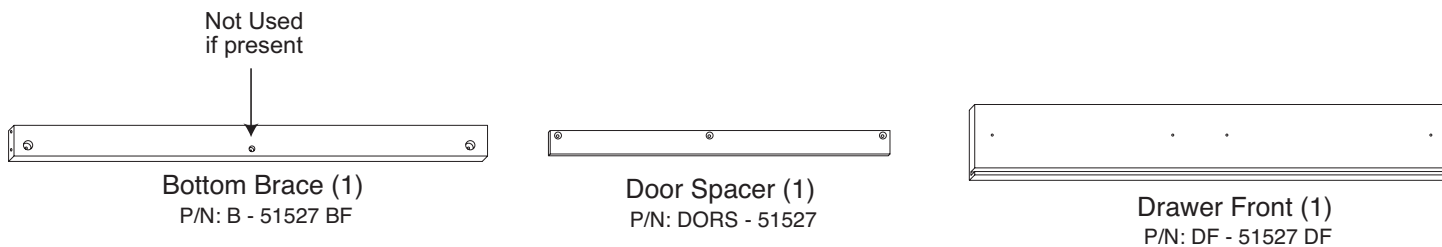
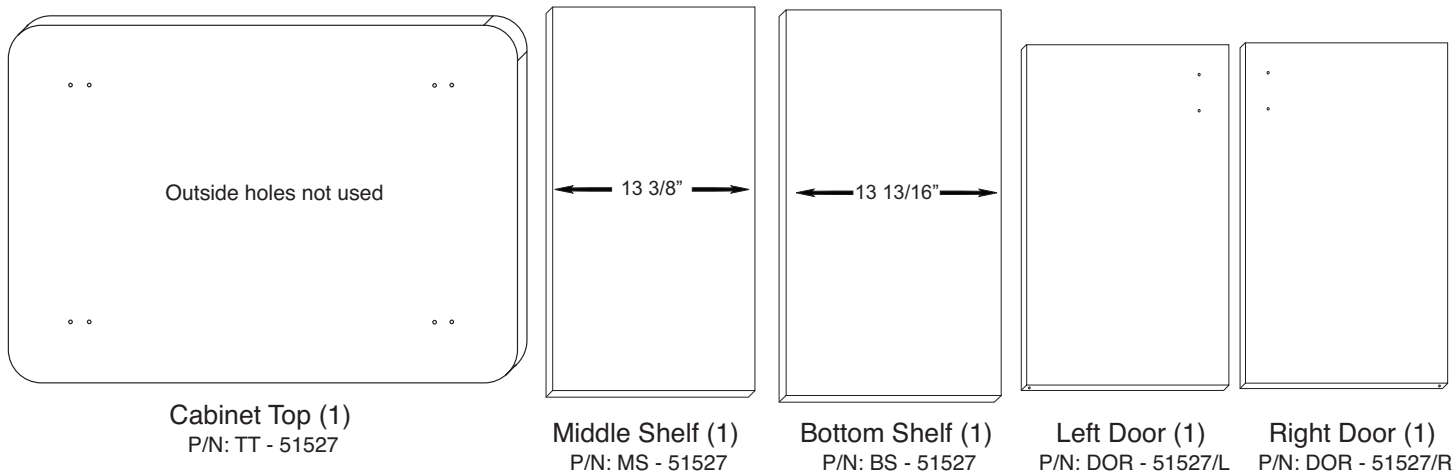
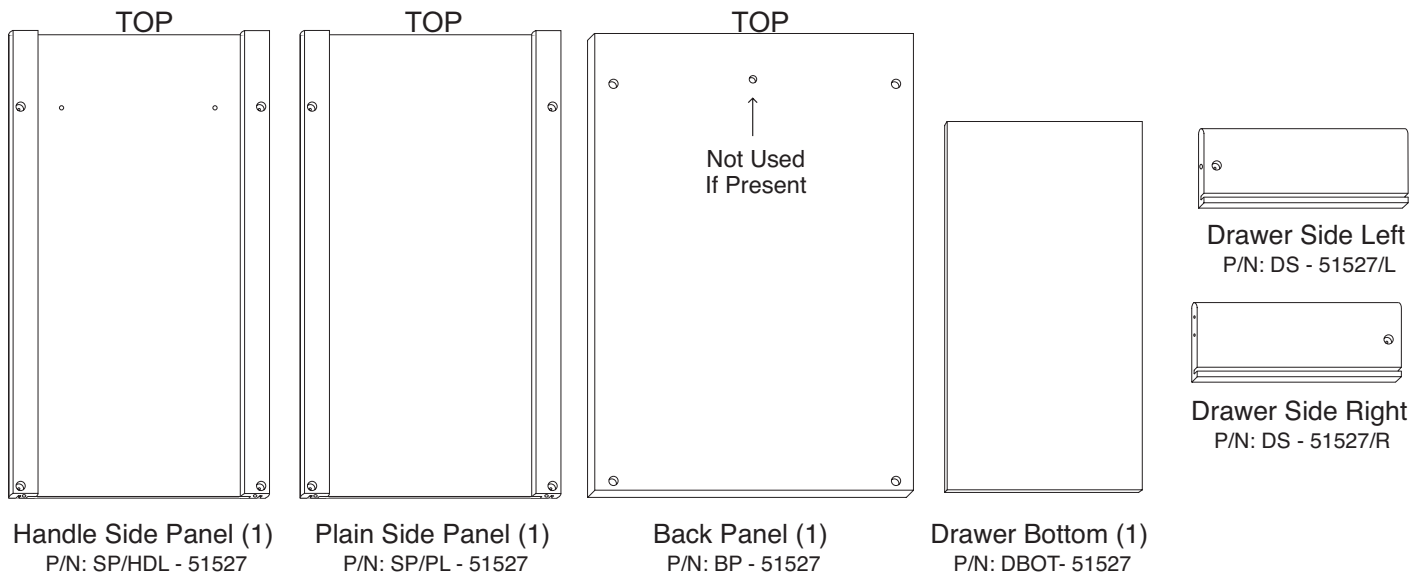
Butcher Block Cart with Flat Panels




GENERAL:

1. You have purchased model 51527.
2. Should you need assistance or need to replace a damaged or missing part simply give us a call M-F at 607-652-7321 from 7:30 am - 4:30 pm EST and we'll send you the prepaid part via UPS usually that same day! You may also email us info@catskillcraftsmen.com.
3. Read the assembly instructions and the enclosed brochure before beginning assembly. Assembly is easy if you read and follow the instructions step by step. See our website for assembly tips and videos.
4. Tools required: Phillips screwdrivers, medium and small; medium flat blade screwdriver and a hammer.
5. Drawer glides are sometimes pre-packed with screws, these are not used.
6. Directions (left/right, front/back) are given as facing the front of an assembled upright unit.

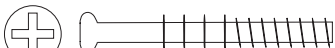
CABINET PARTS 51527



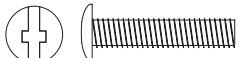
HARDWARE 51527


 (used for towel bar)
1" Phillips Flat Head #8 Screw (2)


 **1 3/4" Phillips Flat Head Bolt (8)**

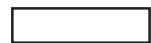
 (used to attach drawer front)
Cam Posts (2)

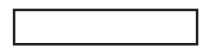
 **1 1/4" Phillips Flat Head #8 Screw (12)**

 (used for handles)
7/8" Truss Head Machine Screw (6)

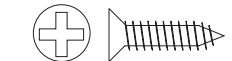
 (used to attach drawer glides)
5/8" Phillips Head #5 Screw (4)

 (used to attach cabinet glides & "L" Brackets)
5/8" Phillips Head #7 Screw (12)

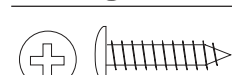
 (Brace Pin)
3/4" Long 3/16" DIA. Steel Pin (4)


 (Shelf Pin)
1" Long 3/16" DIA. Steel Pin (8)


 (Door Pin)
1 1/2" Long 3/16" DIA. Steel Pin (4)

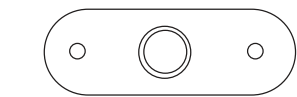
 (used to attach door spacer)
5/8" Phillips Flat Head #8 Screw (3)

Magnet Pack

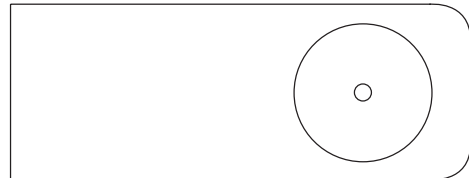
 **5/8" #6 Pan Head Screw (2)**

 **1/2" #4 Phillips Flat Head Screw (1)**


 **Magnet (1)**


 **Magnet Plate (1)**


 **3/16" Flat Washer (4)**

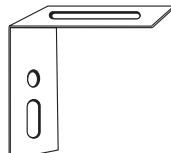
 **Towel Bar Post (2)**

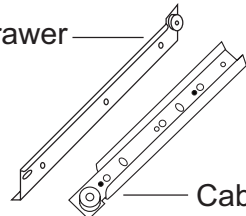
 **Cam (2)**

 **10-24 Hex Nut (8)**

 **5/8" Wooden Disk (8)**

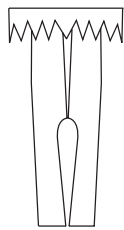
 **Nickel Handle (3)**

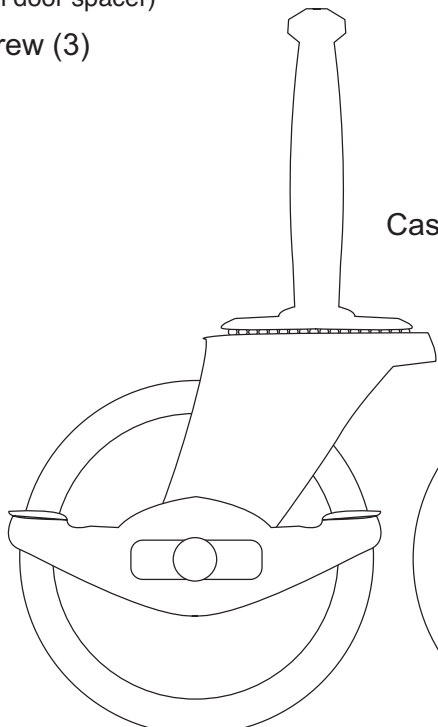
 **L-Bracket (4)**

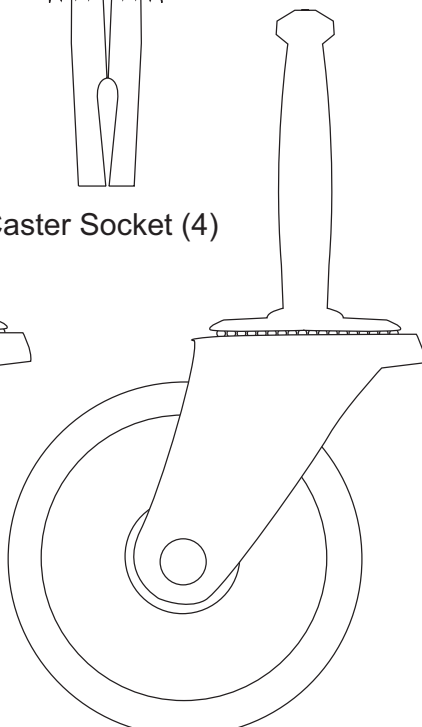
 **Drawer Glide (1 Set)**

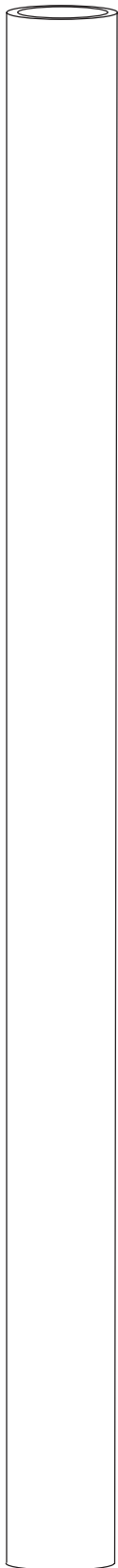
Drawer

Cabinet

 **Caster Socket (4)**

 **Locking Wheel Caster (2)**

 **Non-Locking Wheel Caster (2)**

 **Polished Nickel Towel Bar (1)**

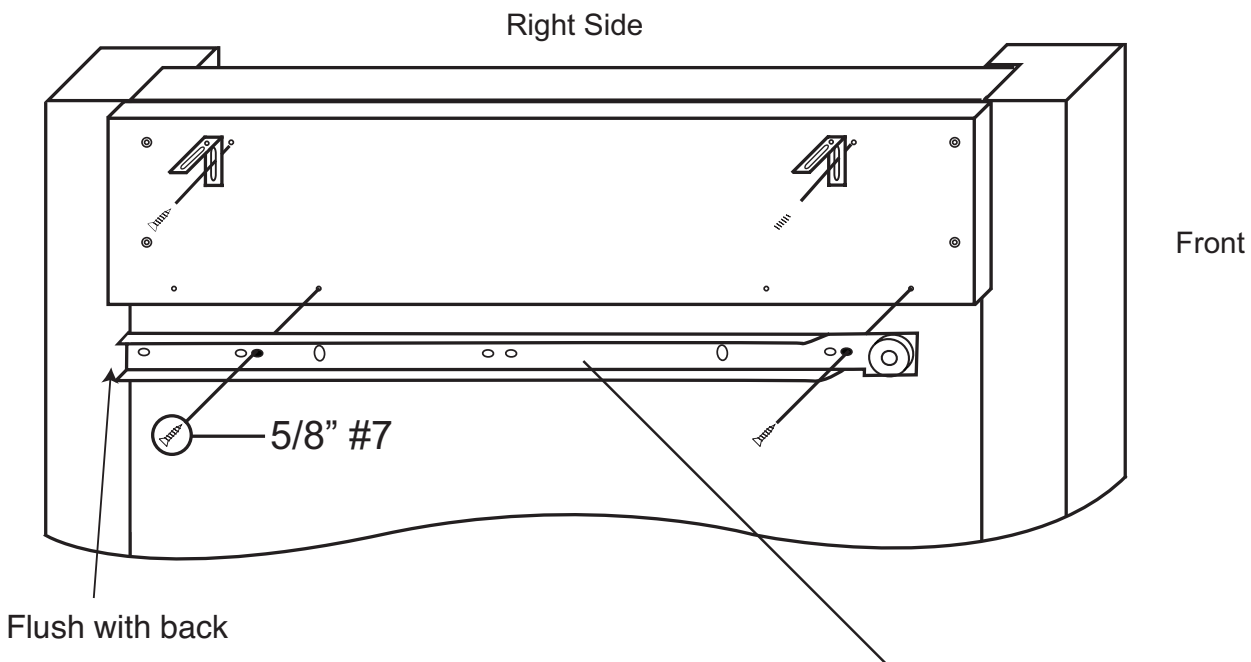
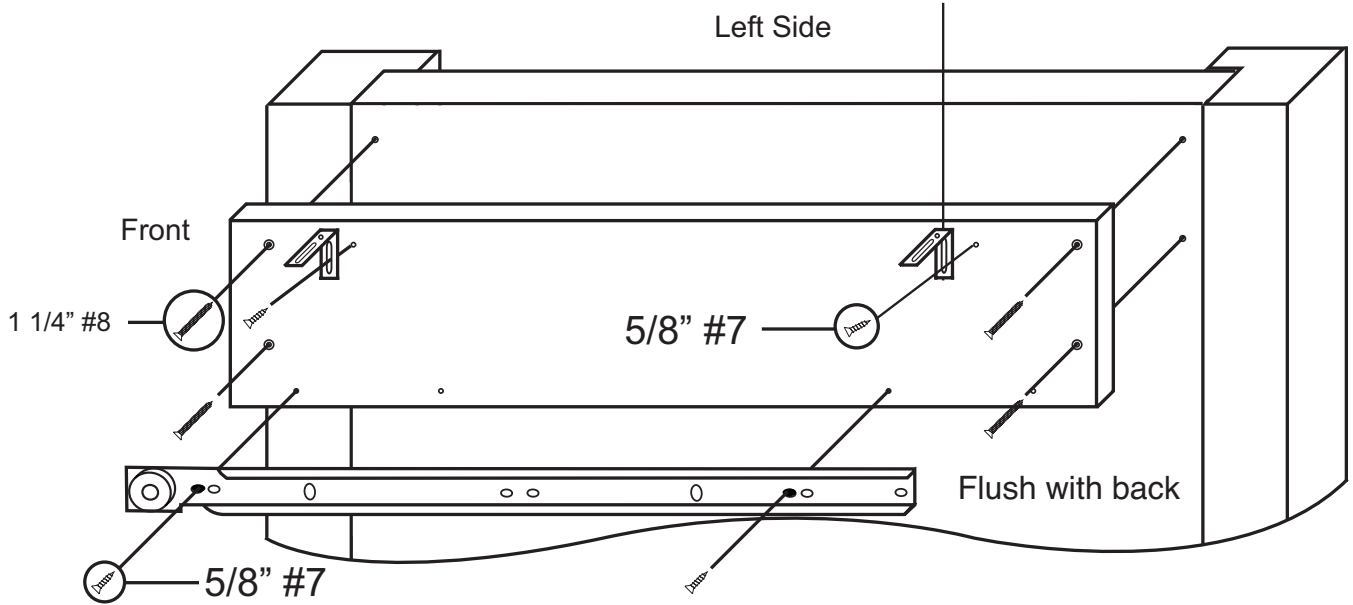
STEP 1

Glide Support Assembly

Decide at this point if you want the handle/towel bar on the right or the left side of the cabinet as side panels are interchangeable. At this point the metal glides will determine left side/right side once installed.

The "L" brackets are attached to the Glide Support using the large slot in the "L" bracket. The Hole will be used to attach the table top.

Top of "L" Bracket should be even with the top of the glide support



Note: Glide holes sometimes change, just make sure the cabinet glides are flush with the back of the glide supports & pilot holes will line up - only 2 holes are used!

The glides look almost alike; however, they are stamped CR for cabinet right and CL for cabinet left.

STEP 2

A. Lay back panel flat on a smooth surface with holes up.

B. We placed the handle/towel bar on the right for these instructions.

C. Attach side panels with 1 3/4" bolts and hex nuts. After inserting bolt(s) through the holes in the side panels and through the holes in the long edges of the back panel, place a hex nut on the tip of your finger, align nut with bolt and tighten.

D. Look ahead to step 3 which shows side panels attached to back panel.

NOTE: Back panel is flush with bottom of side panels.

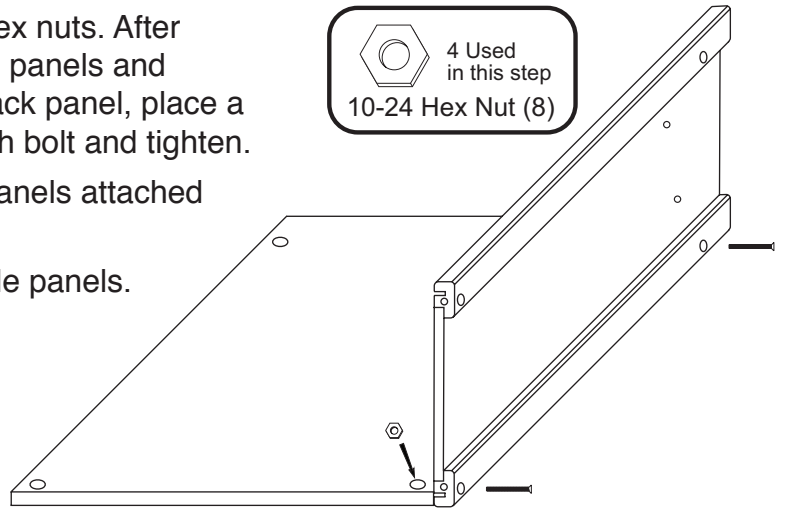
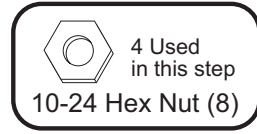
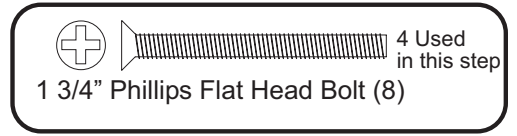
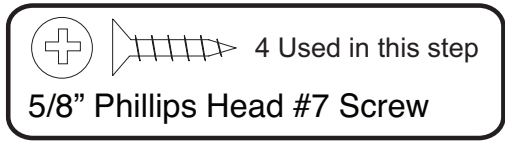
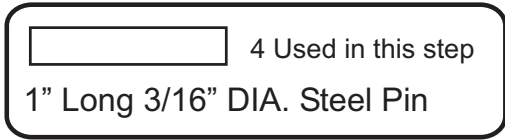
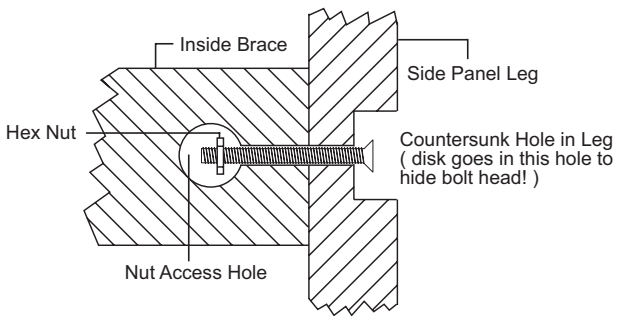


ILLUSTRATION 2



STEP 3

A. Turn the side/back assembly (from step 2) upside down (invert) on top of the inverted table top.

B. Align the "L" brackets with the 4 inside pilot holes in the table top and secure with 5/8" #7 screws.

C. Tap two 1" pins into each side panel. These pins will hold the bottom shelf. See illustration 3.

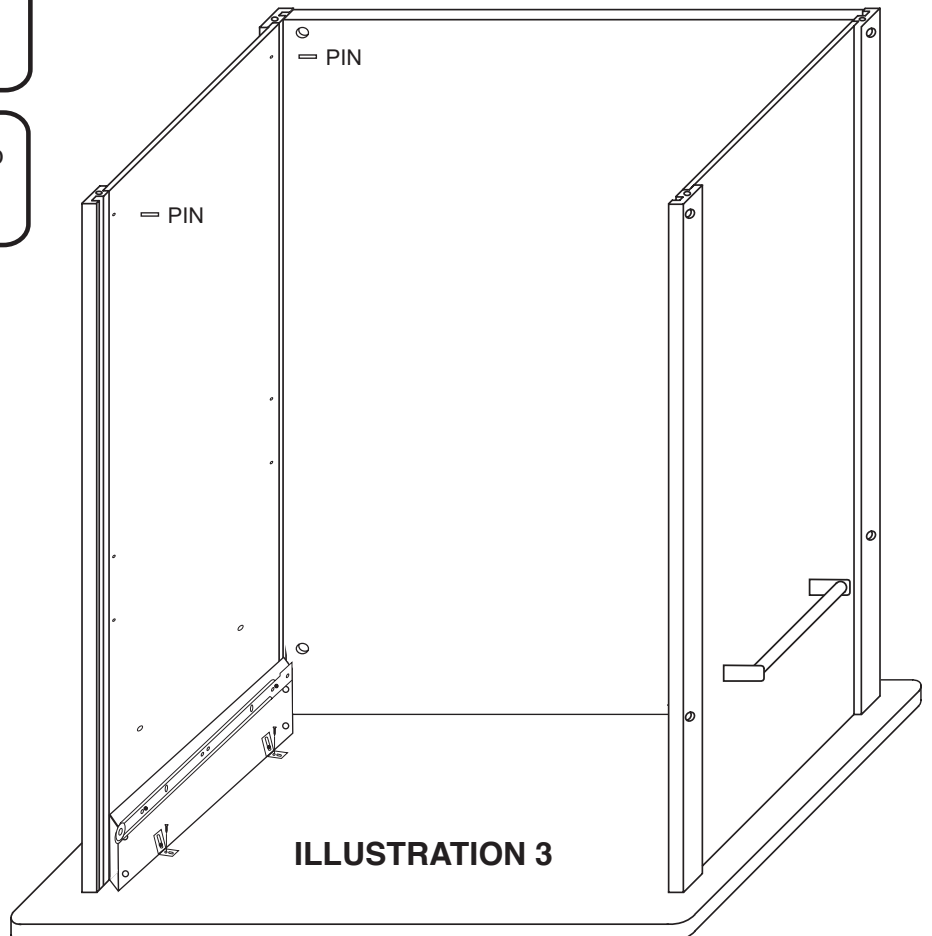


ILLUSTRATION 3

STEP 4

A. Attach the drawer back to the drawer sides with four 1 1/4" #8 screws. Make sure parts are aligned as in illustration 4A.

B. Insert drawer bottom into the slots in the drawer sides, best side to inside of drawer. Slide down until seated in the slot in the drawer back. See illustration 4B.

C. Screw the cam posts into the two outside holes on the inside face of the drawer front until seated. Only 3/8" of the post goes into the wood, leaving the 4 larger guide rings/head exposed. See illustration 4C.

D. Insert the posts into holes in the drawer sides until seated against the front ends of the drawer sides. Insert cams so that the arrow on the outside face of the cam points to the post. The slot in the cam fits over the post. Turn with Phillips screwdriver until seated. Don't over-torque!! See Illustration 4D.

See our video online at www.catskillcraftsmen.com

E. Attach drawer handle with the two handle screws (no illustration).

F. Attach drawer glides to drawer sides using 5/8" #5 screws. See illustration 4E.

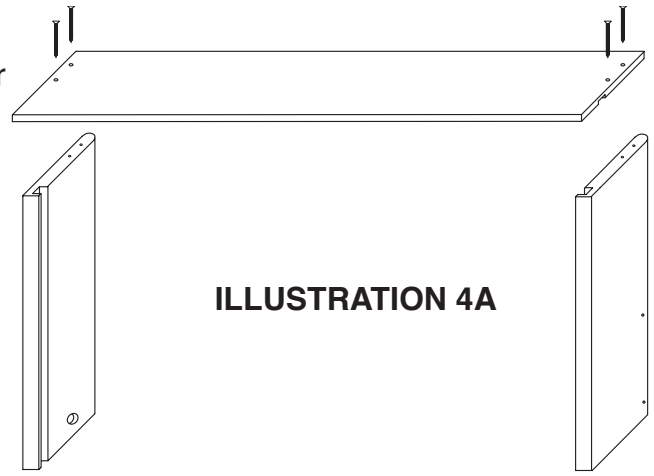


ILLUSTRATION 4A

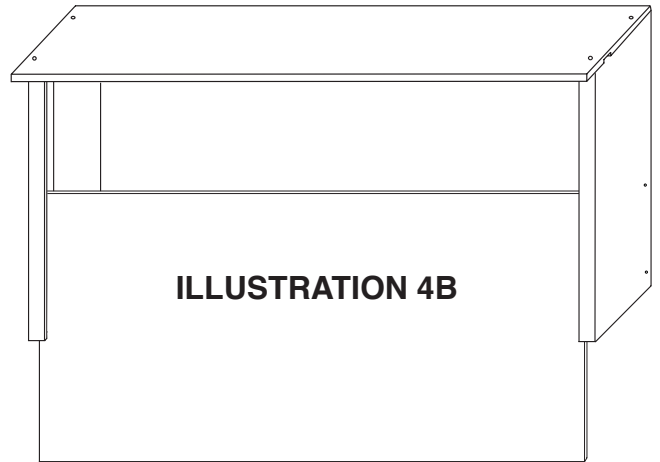


ILLUSTRATION 4B

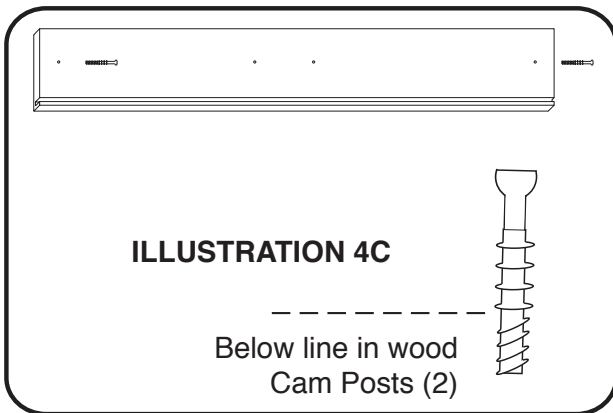


ILLUSTRATION 4C

Below line in wood
Cam Posts (2)

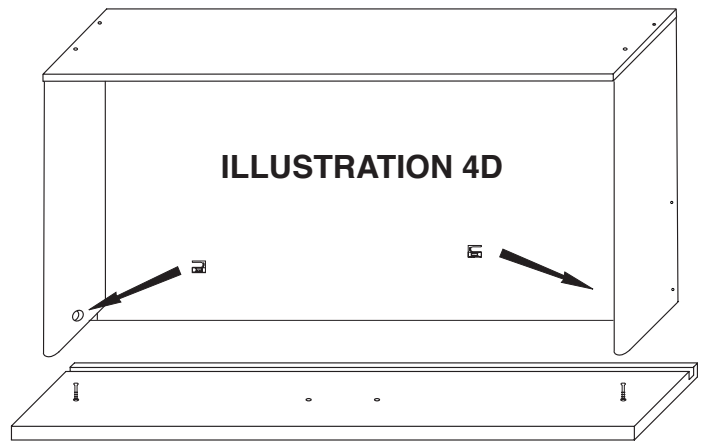
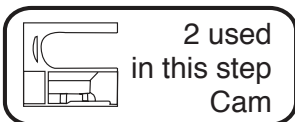
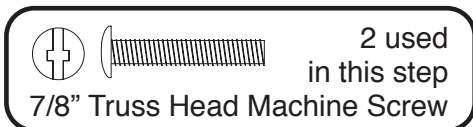
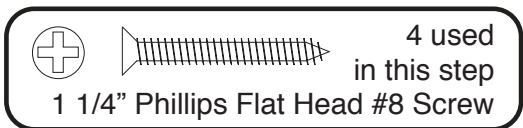


ILLUSTRATION 4D

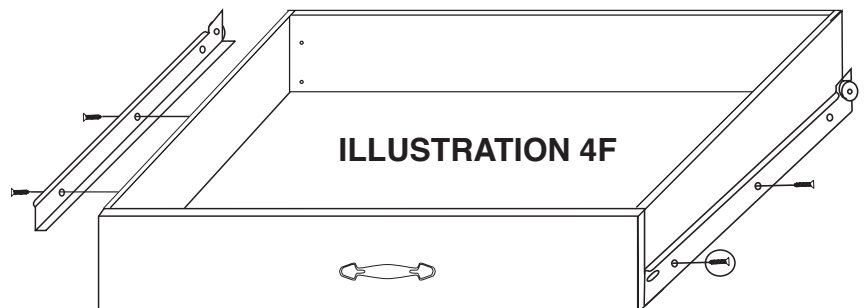
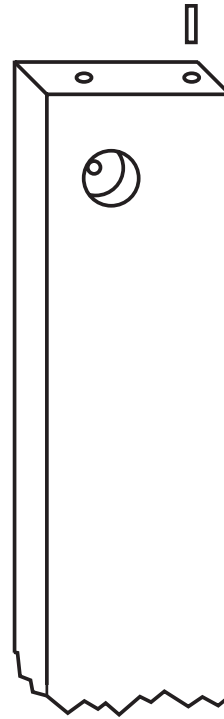
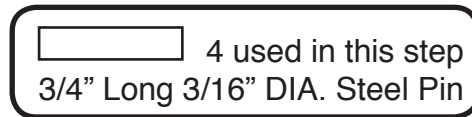


ILLUSTRATION 4F

STEP 5

Take the 2 front braces and tap/insert one 3/4" steel pin into each end of both braces until seated. About 3/8" will stick out when seated. Ok if loose.



STEP 6

A. Take the top front brace (with magnet block), insert the pins in the brace ends into the slots of the inside of the front legs and slide down until the holes in the brace ends align with the holes in the front legs as in illustration 6A. The pin holes for the door pins will be up as will the magnet block.

B. Secure brace with 1 3/4" bolts and hex nuts.

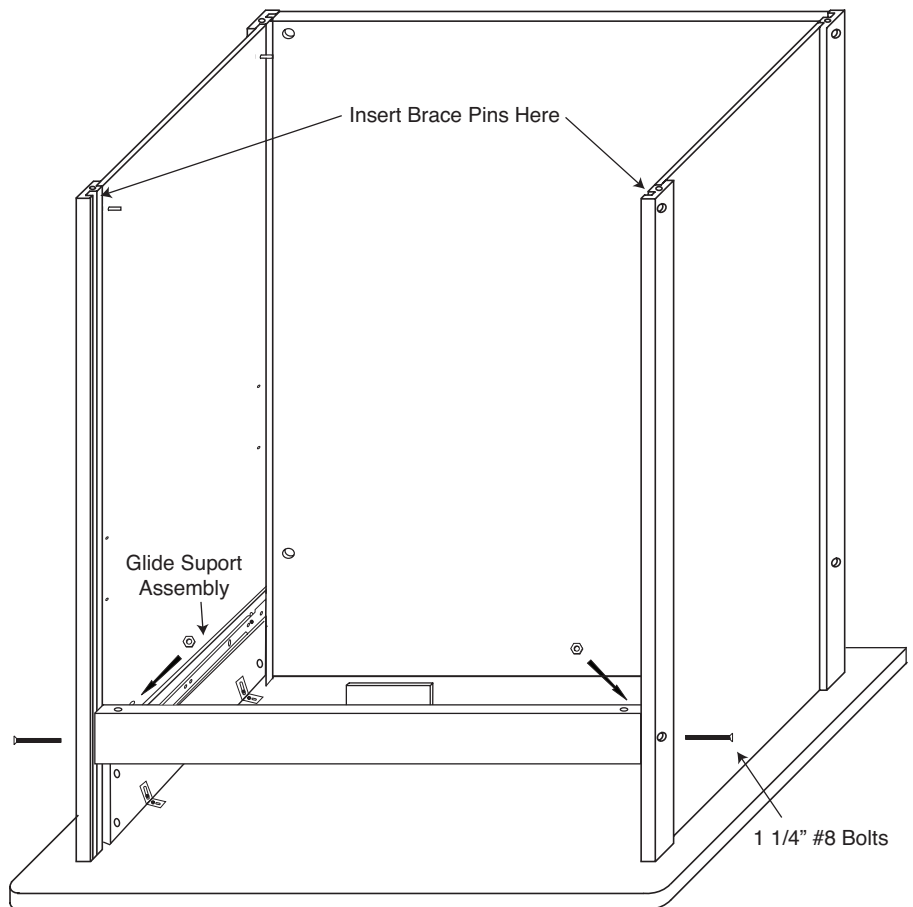
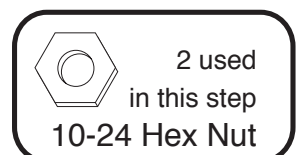


ILLUSTRATION 6



STEP 7

Place a washer on the 1" #8 screws and attach handle/towel bar to side panel from inside the side panel.

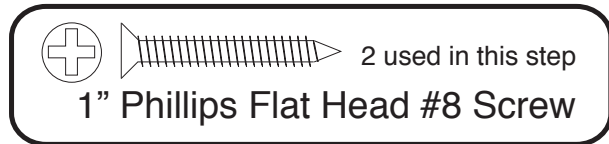
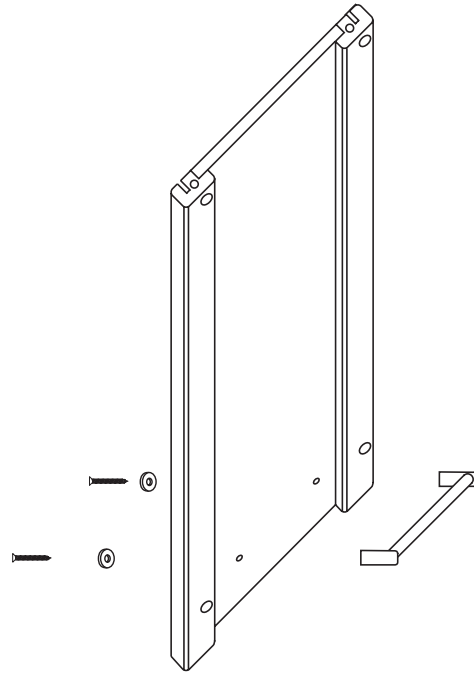


ILLUSTRATION 7



STEP 8

A. Tap/insert ONE 1 1/2" pin into each end of both doors. DON'T OVERDRIVE PINS! Pins should stick up about 1/2" when seated.

B. Attach the door spacer to the left door with 5/8" #8 screws. The spacer has a space at the top to allow magnet clearance and is almost flush with the bottom of the door. Countersunk holes out.

C. Attach the magnet plate with the 1/2" #4 screw to the top of the right door. Bumps go toward the wood.

D. Attach door handles with 7/8" truss head machine screws.

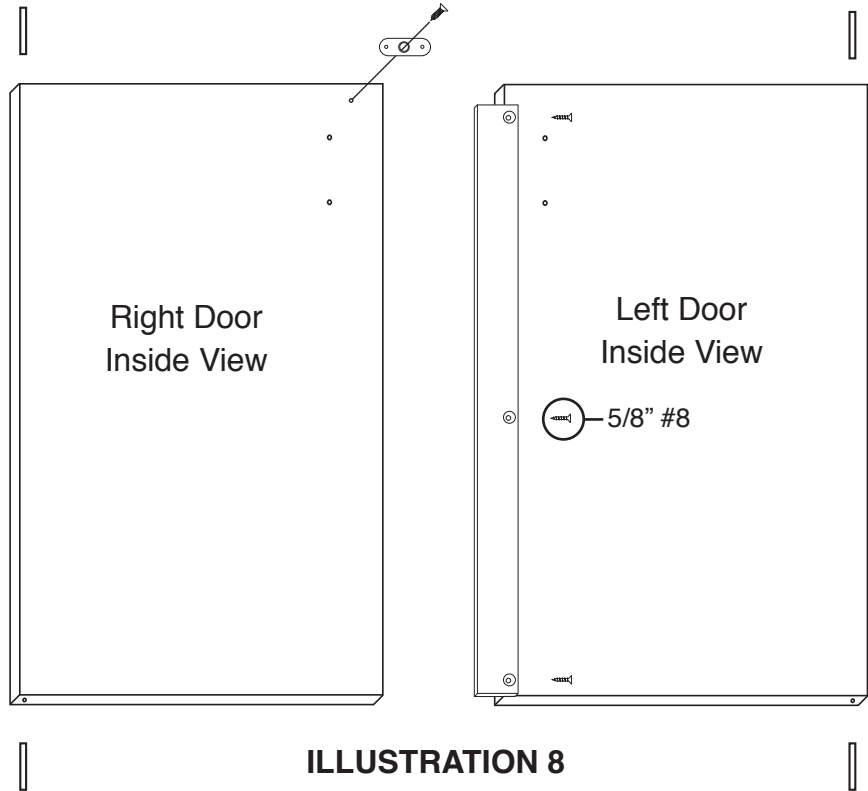
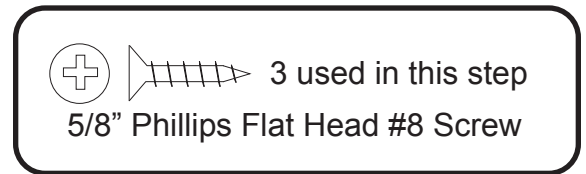
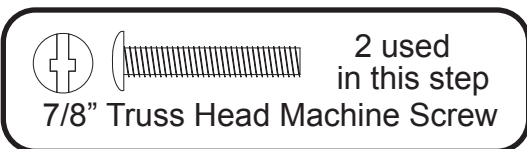
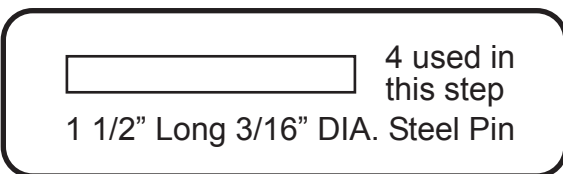


ILLUSTRATION 8

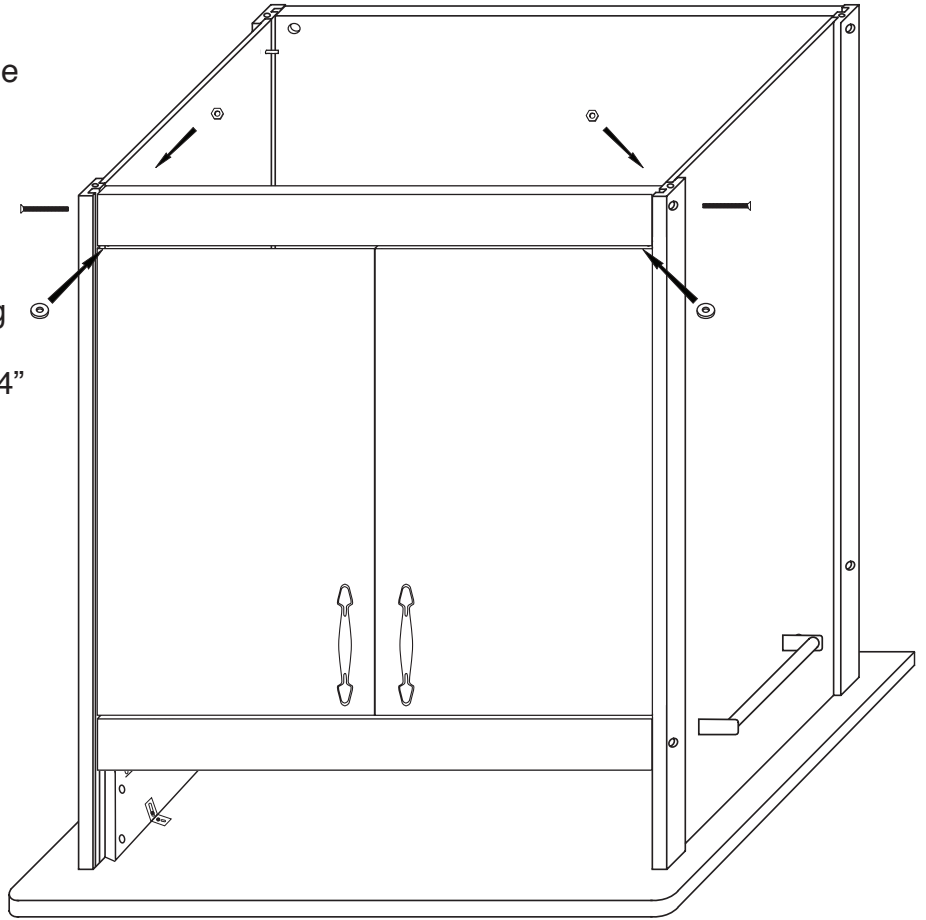


STEP 9

A. Install doors by inserting pins in the door tops into the holes in the long edge top front brace.

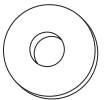
B. Place one washer on each of the pins in the door bottoms.

C. Take the bottom front brace, align pins in door bottoms with holes along top long edge of brace (are washers on pins?) and secure brace with 1 3/4" bolt/hex nuts as before.



2 Used
in this step

10-24 Hex Nut



2 Used
in this step

3/16" Flat Washer



1 3/4" Phillips Flat Head Bolt

2 Used in this step

STEP 10

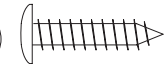
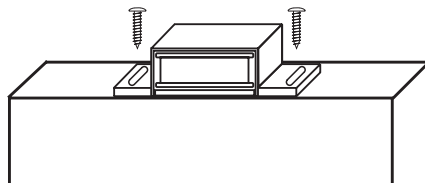
A. Stick magnet to magnet plate on right door.

B. With left door open, close the right door. The magnet should be positioned over the wooden block on the bottom of the top front brace. Hold the magnet in place with your thumb, and open the right door. The magnet will be in the correct position on the block.

C. Secure magnet with the two pan head screws in the magnet packet. Center screws in the slots in the magnet. This will allow adjustment later, if needed.

NOTE: No pilot holes in block as softwood!

ILLUSTRATION 10



2 Used
in this step

5/8" Pan Head Screw



Magnet

STEP 11

A. Insert and tap caster sockets with hammer until the teeth grab the wood. **DON'T POUND SOCKET FLAT OR CASTER SHAFT WILL NOT ENTER.**

B. Insert casters and seat by pushing straight downward with heel or your hand, or tap into place with a hammer. Don't be afraid to give them a good downward whack on the solid metal part of the caster!

C. Locking wheels usually go on the front.

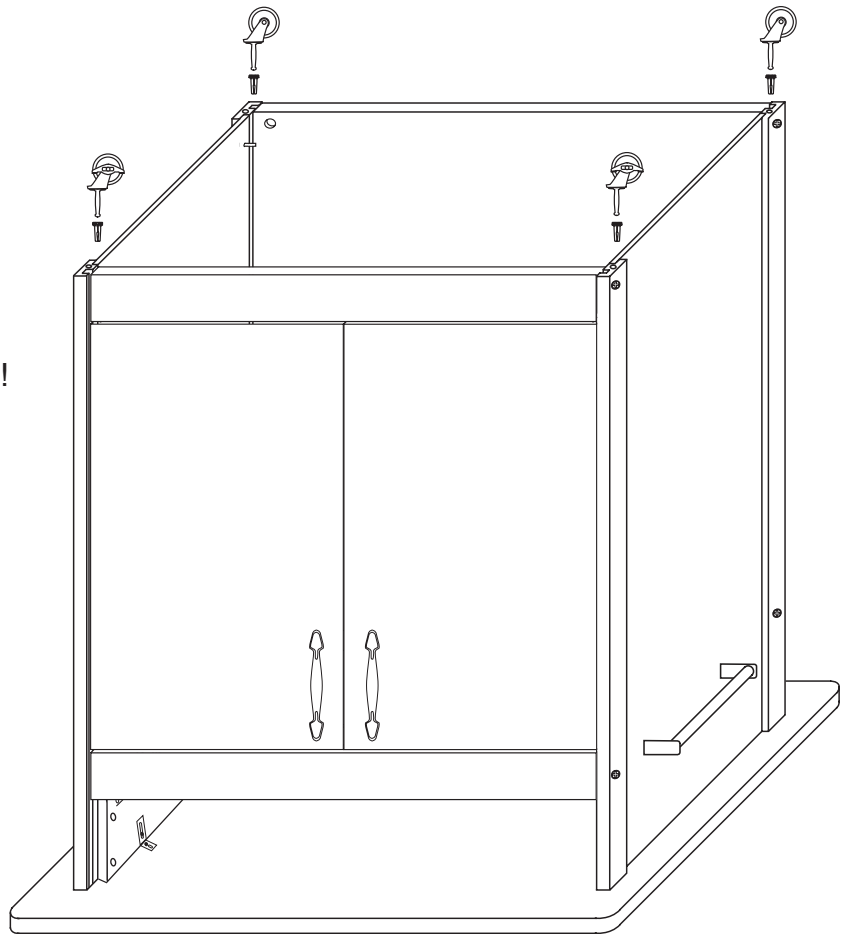


ILLUSTRATION 11

STEP 12

A. Upright unit. Take bottom shelf (no edge banding) and place it on the set of back pins. Close doors and shelf will drop into place.

B. Decide on position of middle shelf, then tap two 1" pins into each side panel, making sure the pins on both sides are in the same relative position. To remove a pin, use pliers or claw hammer.

C. Place middle shelf, edge banding out, on pins.

D. Insert drawer.

Note: If the top edge of the drawer front hits the underside of the cart top or the top edge of the top front brace, loosen the machine screws in the top front brace a little and adjust brace down until drawer opens/closes freely - check to make sure doors open/close freely. Re-tighten all bolts!

E. Tap wooden disks into sides.

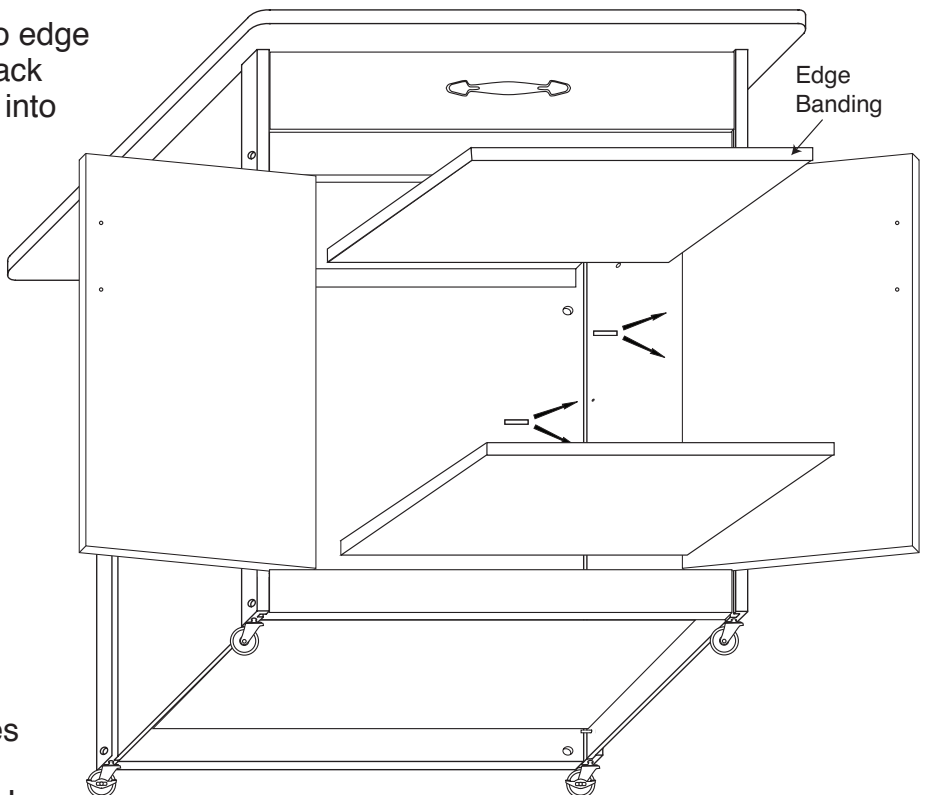


ILLUSTRATION 12



For continued beauty and long life of your Catskill Craftsmen cart, we recommend Catskill Craftsmen's Butcher Block Oil.

Our Butcher Block Oil is available directly from Catskill Craftsmen's factory. For one eight ounce (8 fl. oz.) bottle, which is sufficient for two applications, simply send \$6.95 along with the completed coupon to the address below. Visit us online at www.catskillcraftsmen.com to browse our assortment of butcher block care products. Visa and Mastercard are accepted online .



Catskill Craftsmen, Inc.
15 West End Ave.
Stamford, NY 12167-1296



BUTCHER BLOCK OIL COUPON

Please send me _____ # of bottle(s) of the Catskill Craftsmen Butcher Block Oil at \$6.95 per bottle. My check or money order is enclosed for a total of \$_____.

Item code: 51527

Name _____

Address _____

City _____

State _____ Zip _____

Please make checks payable to Catskill Craftsmen Inc. 15 West End Ave., Stamford, NY 12167-1296