

Features

- Vitreous china.
- One-piece elongated bowl.
- Tankless design with direct water supply.
- Dual flush 1.28 gpf (4.8 lpf) or 0.8 gpf (3.0 lpf).
- Integrated bidet functionality featuring a single bidet wand made of stainless steel.
- Adjustable spray shape, position, water pressure, water temperature, pulsate, and oscillate functions for the bidet wand.
- UV light and electrolyzed water systems to sanitize the bidet wand surfaces.
- Warm air dryer function with adjustable temperature settings.
- Automatic deodorization function.
- Heated seat with adjustable temperature settings.
- Automatic open/close lid and automatic bowl nightlight.
- Touchscreen LCD remote.
- Emergency back-up flush feature for power outages.
- For optimum flushing performance, a minimum water supply flow rate of 9.0 gallons per minute or 1.5 gallons in 10 seconds must be confirmed, prior to installation.

Components

Additional included component/s: Seat, supply stop valve, braided inlet hose, power cord, and LCD remote control.



Codes/Standards

ASME A112.19.2/CSA B45.1
ASME A112.19.14
ASME A112.4.2/CSA B45.16
DOE - Energy Policy Act 1992
EPA WaterSense®
California Energy Commission (CEC)
UL 1951
CSA C22.2 No. 14
CSA C22.2 No. 68

KOHLER® Intelligent Toilet and C3® Cleansing Seat Three-Year Limited Warranty

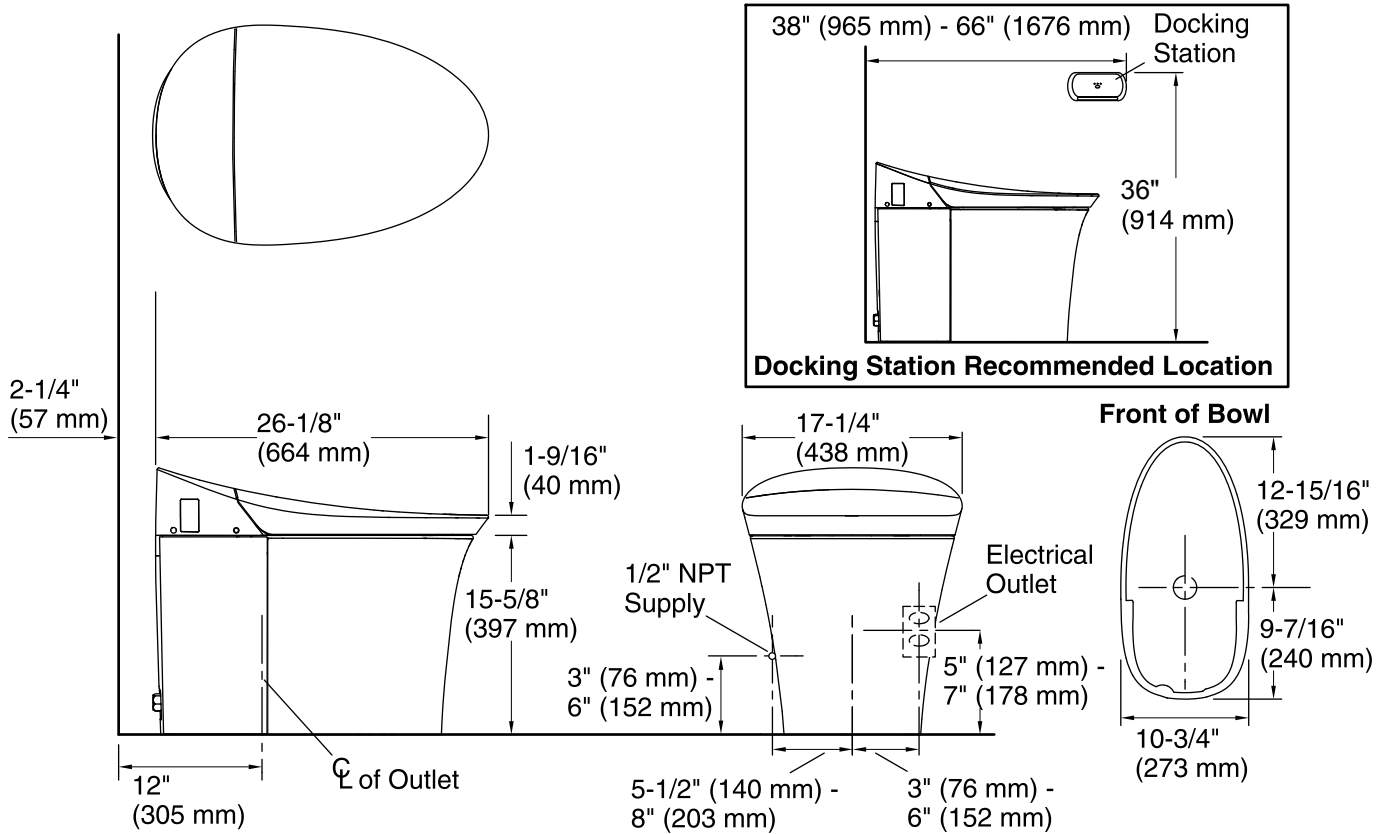
See website for detailed warranty information.

Available Color/Finishes

Color tiles intended for reference only.

Color Code Description

■ 0 White



Required Electrical Service

One dedicated circuit required, protected with Class A Ground-Fault Circuit-Interrupter (GFCI) or Residual Current Device (RCD).

120 V, 15 A, 60 Hz

Technical Information

All product dimensions are nominal.

Toilet type:	One-piece, Floor-mount
Waste Outlet:	Floor
Bowl shape:	Elongated front
Trap passageway:	1-15/16" (49 mm)
Water Consumption	
Full:	1.28 gpf (4.8 lpf)
Reduced:	0.8 gpf (3 lpf)
Water surface size:	7-15/16" x 5-5/8" (202 mm x 143 mm)
Rough-in:	12" (305 mm)

Notes

Install this product according to the installation instructions.

This product is designed for installation with the electrical and water supplies located through either the wall or the floor.

IMPORTANT! Use the supply hoses provided with the fixture. Do not reuse the previously installed hoses.