



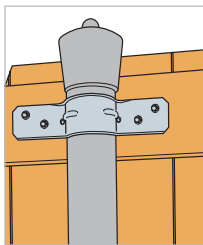
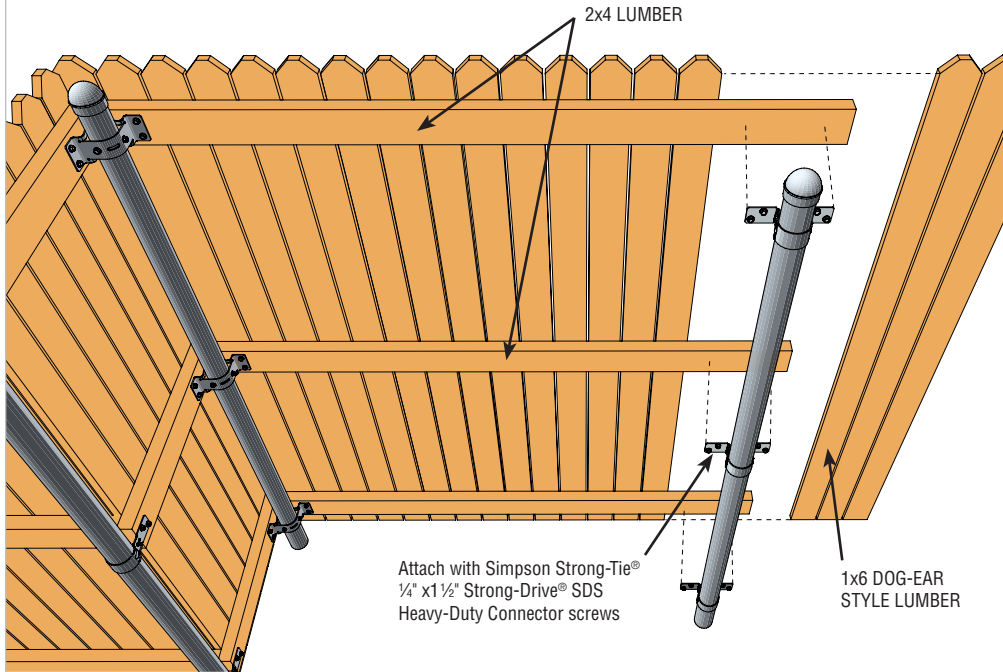
FAST AND EASY PRIVACY

# Fencing with Metal Posts

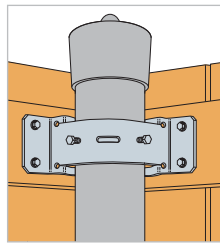
Simpson Strong-Tie® Pipe-Grip® Ties make it easy to attach wood fence rails to metal fence posts. Galvanized fence posts typically last longer than wood posts, extending the life of the fence by helping to avoid a common problem: rotting fence posts. Now you can get the look of a wood fence with the durability of steel posts.



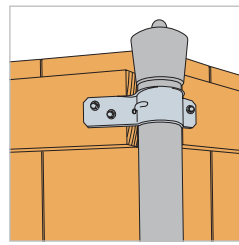
Check out our installation and building tip videos at [diydoneright.com](http://diydoneright.com).



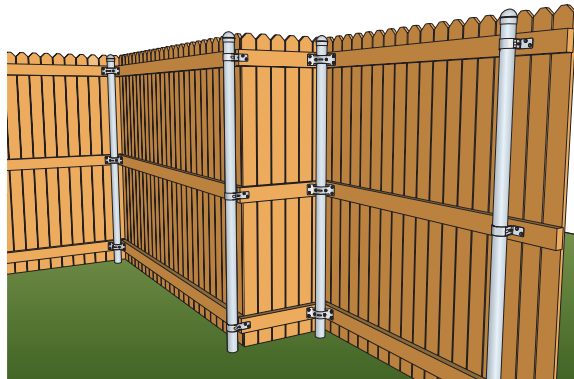
Use PGT or PGTE Pipe-Grip® ties for inline applications



Use PGTIC Pipe-Grip® ties for inside corners



PGT Pipe-Grip® ties are also ideal for outside corners



Use cedar, redwood or preservative-treated lumber and finish with exterior grade stain or paint. Dimensions can be modified to fit your specific needs. Follow manufacturer's instructions for installation. Check local building codes before construction.

### INSTALLATION:

Position the fence post 6" back from the end of the fence.

Use 2 to 3 PGTs per pipe; line up to stringline for the top fence rail.

Tighten PGT onto the fence post with 1/4" hex head bolt (supplied) manually or with a screw gun.

PGT attaches to rails with four 1/4" x 1 1/2" SDS Connector screws.

Nail or screw fence boards to rails.



### TOOLS YOU NEED

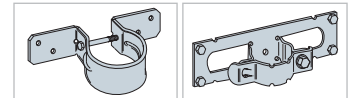
- Saw
- Screw gun
- #2 Phillips head bit
- 1/4" hex drive socket
- Tape measure
- Framing square
- Straight edge
- Level
- Post-hole digger/shovel
- String for layout

### LAYOUT THE FENCE

Use string and stakes to layout the desired location for your fence and dig holes for metal posts. Concrete can be used to set the posts into the ground.

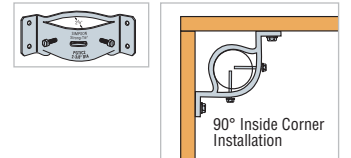
### PGT OR PGTE PIPE-GRIP® TIE FOR INLINE APPLICATION

For corners, splices and ideal for uneven terrain.



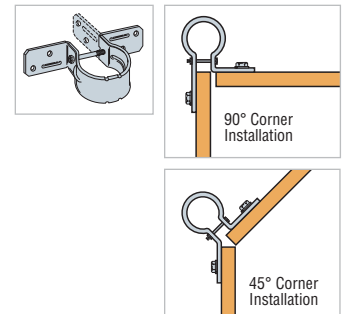
### PGTIC PIPE-GRIP® TIE FOR INSIDE CORNERS

Install with two set screws (supplied) in pre-drilled holes.



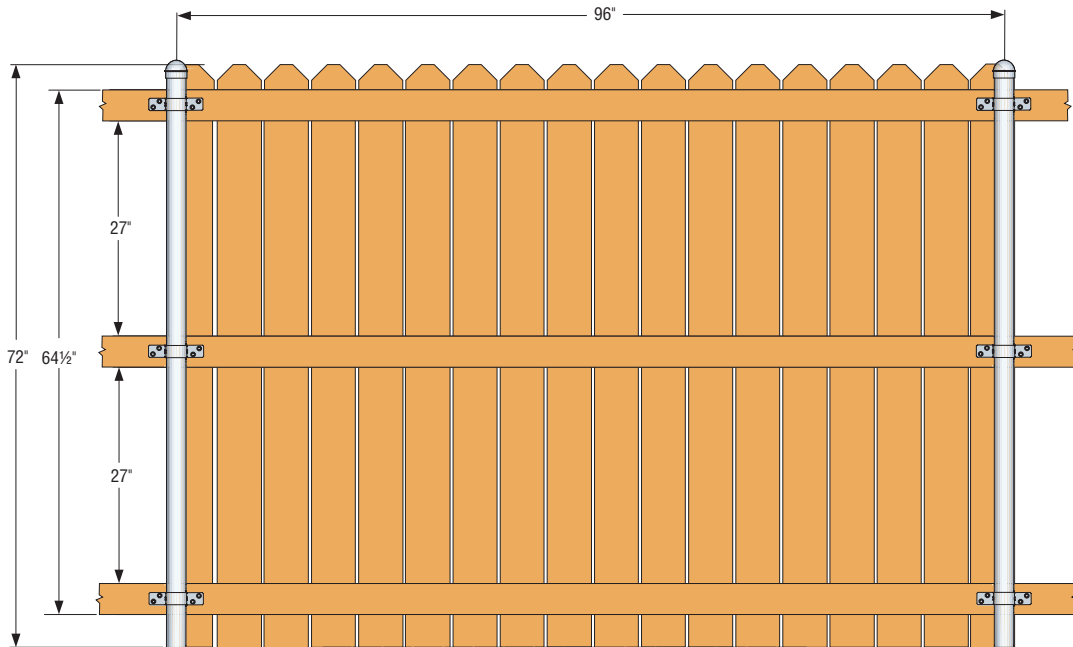
### PGT PIPE-GRIP® TIE FOR OUTSIDE CORNERS

Field bent for 90° or 45° corners.



## Wood Fencing with Metal Posts

SIDE VIEW – 8 FT. SECTION



**FOR EACH 8 FT. SECTION YOU WILL NEED:**

**LUMBER**

- (3) – pieces of 2x4 8 ft. lumber
- (17) – pieces of 1x6 6 ft. lumber

**METAL FENCE POSTS**

- (2) – pieces of 2" (2 3/8" outside diameter) x 8 ft. galvanized steel fence post
- (2) – Galvanized metal post caps

**SIMPSON STRONG-TIE® CONNECTORS**

- (6) – PGT2 Pipe-Grip® ties  
(See selection information below)

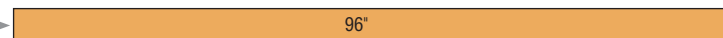
**FASTENERS**

- (1) – BOX Simpson Strong-Tie® 1/4" x 1 1/2" Strong-Drive® SDS Heavy-Duty Connector screws
- (102) – 1 3/4" decking screws or hot-dip galvanized nails

**Want to Make It Even Easier?**

Ask your lumber retailer about pre-made fence panels.

- (3) – 96" RAILS



- (17) – 72" VERTICAL SLATS



**SETTING FENCE POSTS**

- A common rule of thumb is that a 6 ft. tall fence requires at least 2 ft. of post in the ground. (Check with local building department for specific requirements.)
- Mark the fence line with stakes and string to identify where sides of posts should align. Mark post locations every 8 feet.
- It is recommended that posts be set in concrete for strength and durability.

**SUGGESTED STEPS:**

1. Dig post holes to desired depth.
2. Position fence post in hole and brace (use duct tape to hold brace to post) to ensure it is plumb.
3. Pour concrete in hole,\* finishing to a dome at the top to direct water away from the post.

\*There is fence-post concrete readily available in bags that does not require mixing. Typically you can just pour a bag of the dry mix into the hole and add water. (Follow manufacturer's instructions.)

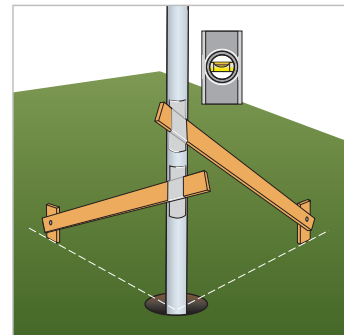
**SELECTING THE RIGHT PIPE-GRIP® TIE**

**PGT2/PGT2A:** For 2" steel pipe (2 3/8" outside diameter) inline or outside-corner applications.

**PGT2E:** For 2" steel pipe (2 3/8" outside diameter) inline applications. This is two-piece bracket (performs the same as the PGT2).

**PGT1.5:** For 1 1/2" steel pipe (1 1/8" outside diameter) inline or outside-corner applications.

**PGTIC2:** For 2" steel pipe (2 3/8" outside diameter) inside-corner applications.



**CORROSION INFORMATION:** We recommend using our ZMAX® galvanized product for best results on exterior projects and those using preservative-treated wood. These products have a "Z" at the end of the model number (ex. PGT2Z-R). ZMAX® coated products provide additional corrosion resistance, which is advisable but not required, for non-structural projects like the one shown above. Visit [strongtie.com/info](http://strongtie.com/info) for critical information.

The construction plan for this project is designed to be completed by people with basic carpentry skills in standard situations. If your situation is unique, talk with someone with detailed carpentry or construction experience before starting your project. Particular attention was paid to the steps and details in this plan, but they cannot be guaranteed to be error free. Simpson Strong-Tie shall not be responsible for any possible loss, damage or injury resulting directly or indirectly from the information contained here.