

### Features

- Single lever handle is simple to use and makes adjusting water temperature easy.
- Spout swivels to allow for unobstructed use of the sink.
- One-piece, self-contained ceramic disc valve allows both volume and temperature control
- Ceramic disc valves exceed industry longevity standards, ensuring a lifetime of durable performance.
- 1.2 gpm (gallons per minute) flow rate
- 1- and 3-hole sink mounting compatible
- Premium material for durability and reliability.
- KOHLER finishes resist corrosion and tarnishing for durability and reliability.

### Installation

- Simplified faucet assembly, mounting hardware requires no special tools.



ADA

CSA B651

OBC

### Codes/Standards

ASME A112.18.1/CSA B125.1

NSF/ANSI 61

NSF/ANSI 372

All applicable US Federal and State material regulations

DOE - Energy Policy Act 1992

EPA WaterSense®

California Energy Commission (CEC)

ADA

ICC/ANSI A117.1

CSA B651

OBC

### KOHLER® Faucet Lifetime Limited Warranty

See website for detailed warranty information.

### Available Color/Finishes

*Color tiles intended for reference only.*

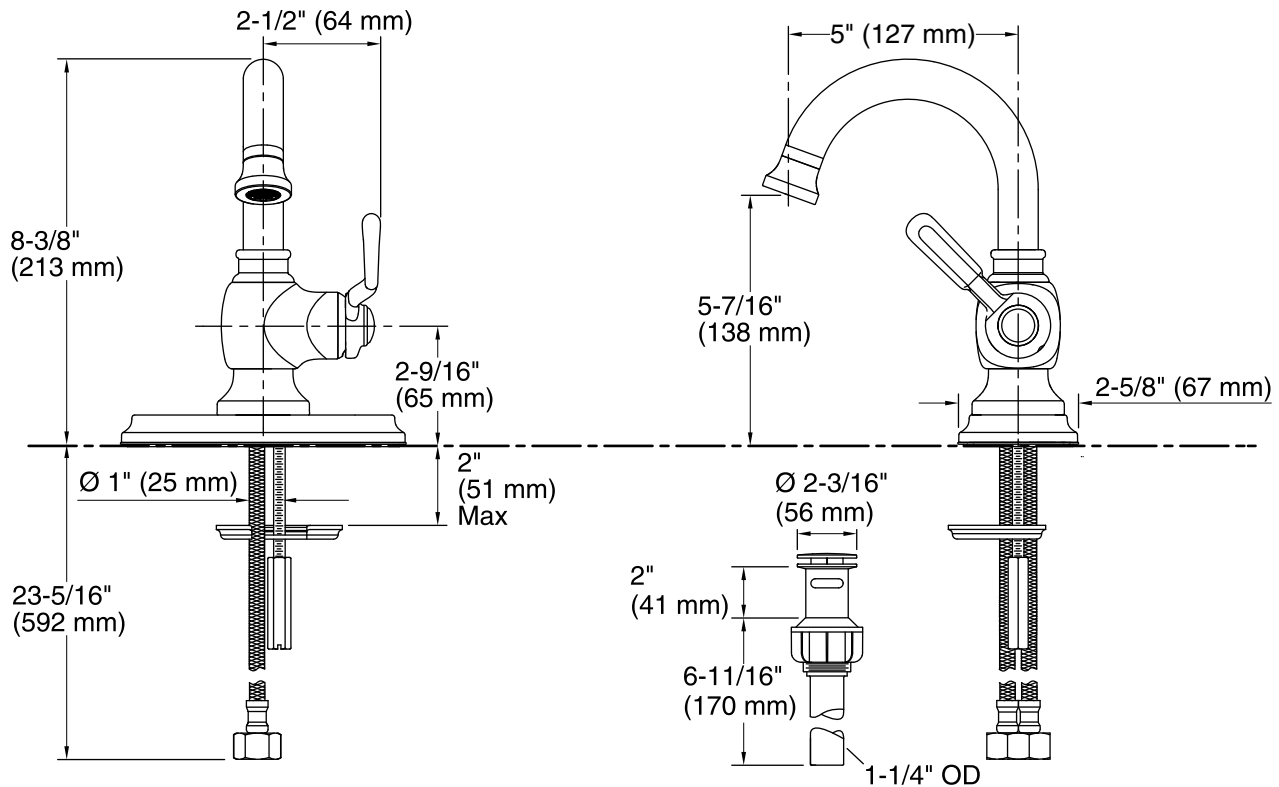
Color	Code	Description
-------	------	-------------



BN Vibrant® Brushed Nickel



2BZ Oil-Rubbed Bronze



**Pop-UP Clicker Drain**

### Technical Information

All product dimensions are nominal.

#### Faucet:

Flow rate: 1.2 gal/min (4.5 l/min)

Pressure: 60 psi (4.1 bar)

Drain included: YES

Drain with overflow: YES

#### Spout:

Spout reach: 4-13/16" (122 mm)

### Notes

Install this product according to the installation guide.

ADA, OBC, CSA B651 compliant when installed to the specific requirements of these regulations.