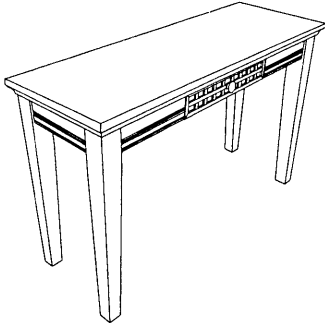


ASSEMBLY INSTRUCTION

Item No : P107-05

Description : SOFA TABLE



IMPORTANT NOTE :

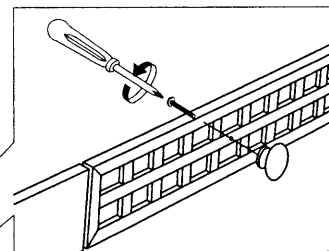
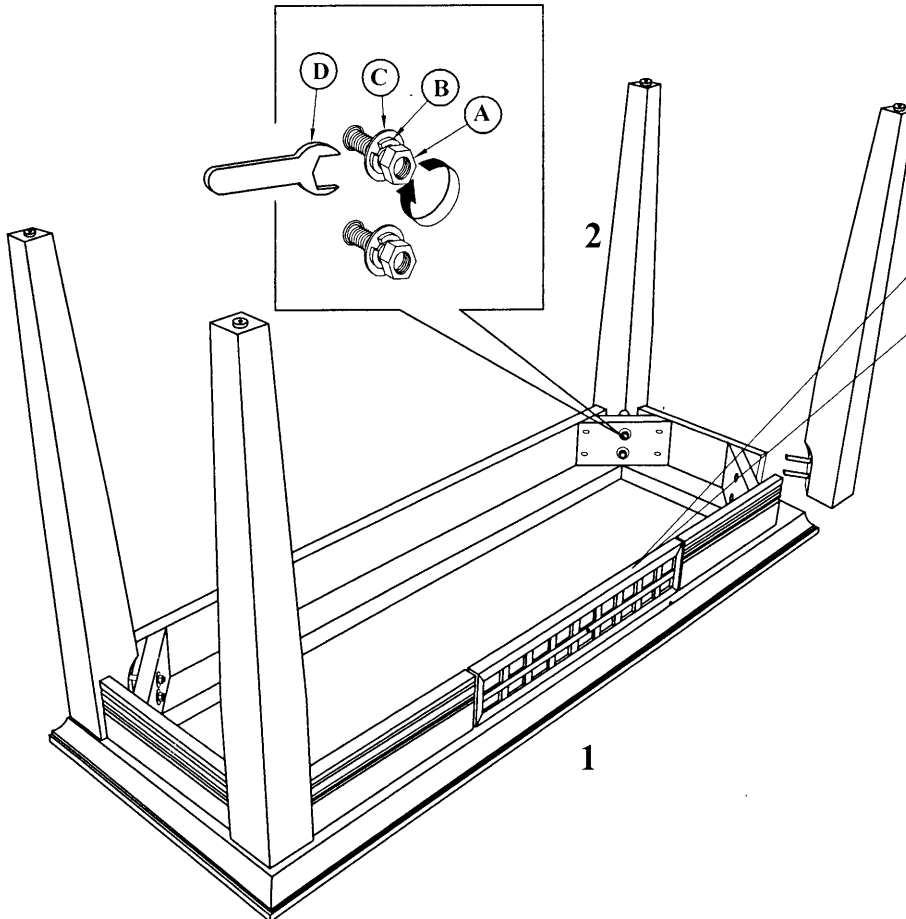
- Place all wooden parts on a clean and smooth surface such as a rug or carpet to avoid the parts from being scratched.
- Check to be sure that you have all parts and hardware.
- Remove all wrapping materials, including staples & packing straps before you start to assemble.
- Do not tighten all screws / bolts until all completely assembled.
- Keep all hardware parts out of reach of children.

PARTS LIST

NO	DESCRIPTION	QTY
1	Table top	1pc
2	Table leg	4pcs

HARDWARE LIST

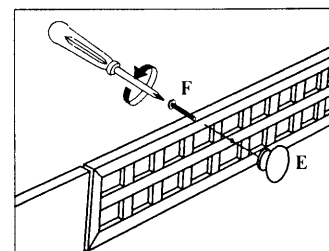
NO	DESCRIPTION	QTY
A	Hex nut 5/16 x 12mm	8pcs
B	Spring washer 5/16 x 14mm	8pcs
C	Flat washer 5/16 x 20mm	8pcs
D	Wrench 12.8 mm	1pc
E	Metal knob handle	1pc
F	Screw 5/32 X 25mm	1pc



Re assembled knob handle from inside to outside position.

OPTIONAL :

IF WANT TO USE METAL KNOB HANDLE.



Remove the wooden knob and change to metal knob handle.