

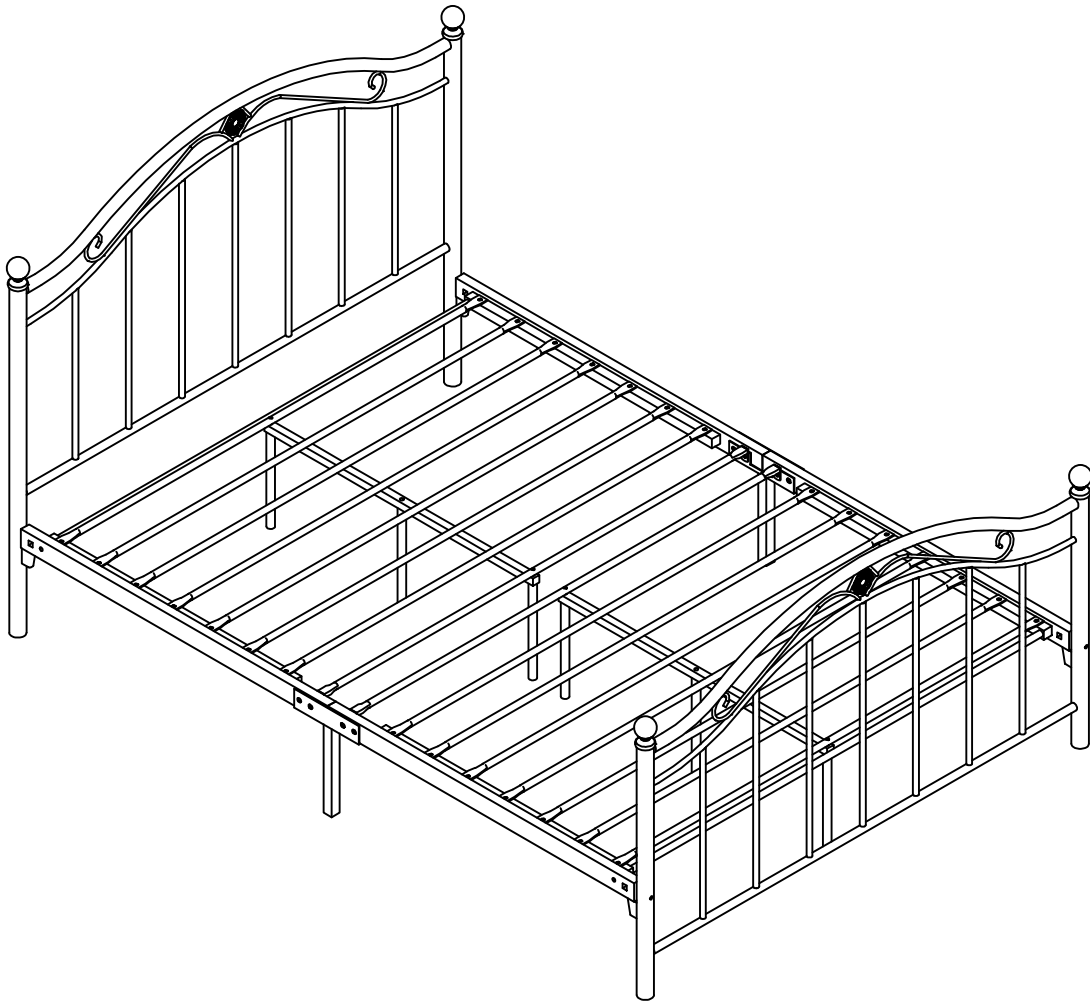


HODEDAH

www.hodedah.com
support@hodedah.com

ASSEMBLY INSTRUCTIONS

METAL BED



HI804



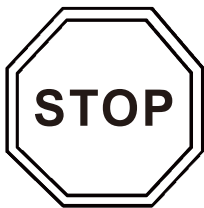
HODEDAH

www.hodedah.com
support@hodedah.com



IMPORTANT NOTE:

- *This product contains small components, please ensure that they are kept away from small children.*
- *This instruction booklet contains **IMPORTANT** safety information. Please read and keep for future reference.*
- *Note: you will find extra screws and bolts in hardware pack in case of any missing pieces.*
- *If the glass is chipped or broken, do not attempt to assemble the item.*



DO NOT RETURN PRODUCT TO THE STORE

*If a part is missing or damaged, email our customer service. We will gladly ship your replacement parts **FREE** of charge.*

Need Parts or Assistance?

Email us at

support@hodedah.com

For prompt, reliable service, please have your assembly manual ready.



HODEDAH

www.hodedah.com

support@hodedah.com

Thank you for purchasing from Hodedah

**To learn more about hodedah and our products visit
www.hodedah.com**

READ BEFORE BEGINING ASSEMBLY

- Read each step carefully. It is very important that each step of instruction is performed in the correct order. If these steps are not followed in sequence, assembly difficulties will occur.
- Make sure all parts are included. Most parts are labeled or stamped on the raw edge.
- Work in spaclous area, preferably on a carpet, near the place the unit will be used.
- Do not use power tools assemble your furniture. Power tools may strip or damage the parts.

HELPFUL HINTS

- Call us if you need assistance.
- Move your new furniture carefully, with two people lift and carry the nuit to it's new location.
- Never push, drag or pull your furniture(especially on carpet).

Warranty Information

Hodedah warrants this product to be free from defects in material and workmanship agrees to remedy any such defect. This warranty covers one year from the date of original purchase. This is solely limited to be repair or replacement of defective parts and no assembly labor is included.

This warranty does not apply to any products which has been improperly assembled, subjected to misuse or abuse or which has been altered or repaired in any way.

To obtain warranty service, purchaser must present original bill of sale. Components repaired or replaced warranted through the remainder of the original warranty period only. The defective components will be repaired or replaced without charge, subject to the terms and conditions described above.

**For help with assembly, Identifying parts, product information
or to order parts, please contact us:**

Call us at:

718-456-0505

Monday-Friday

9:00 am-5:00 pm

Visit our website:

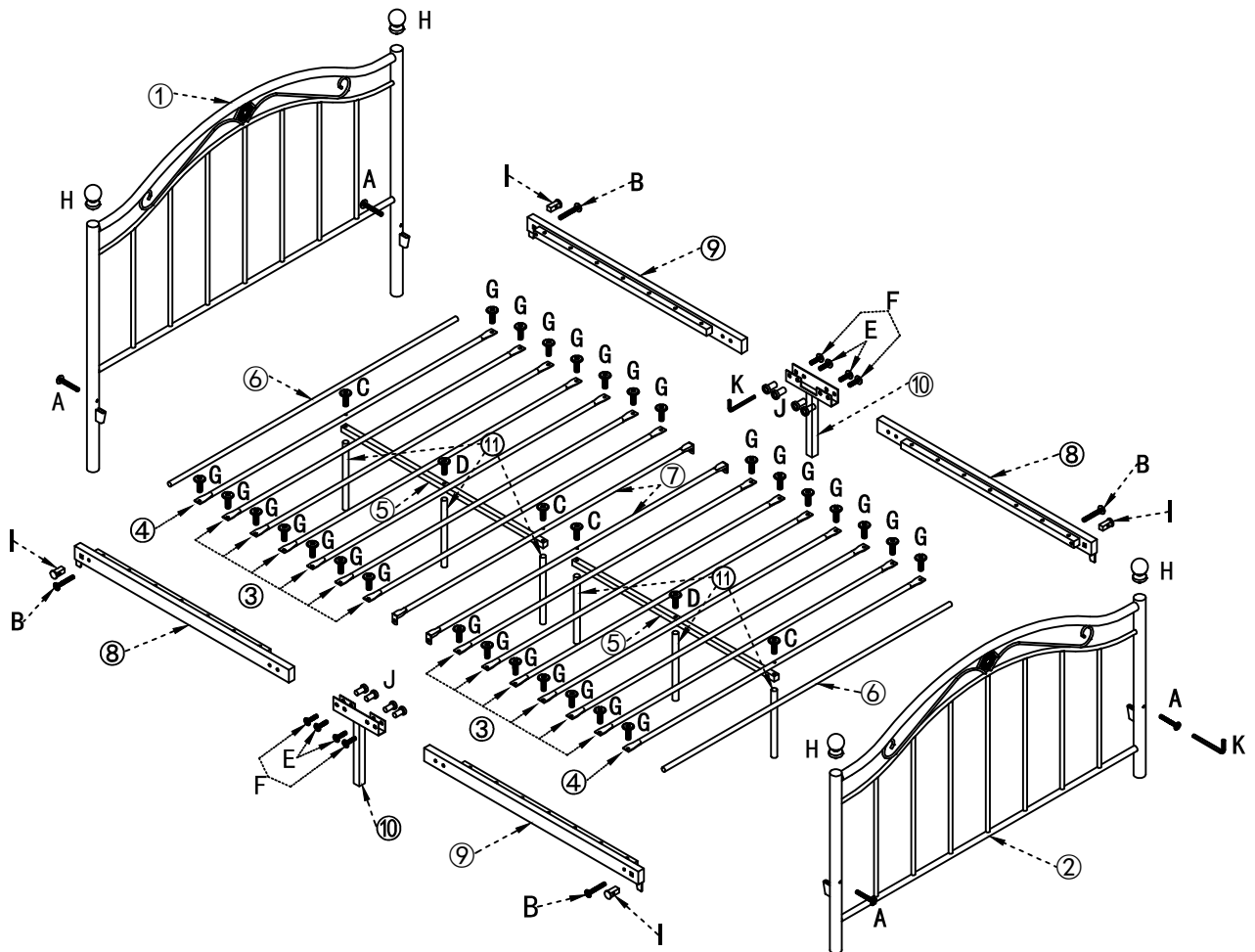
www.hodedah.com



HODEDAH

www.hodedah.com
support@hodedah.com

Breakdown Structure



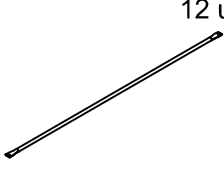
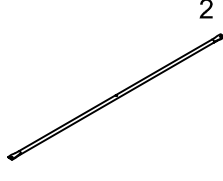
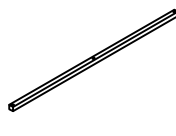
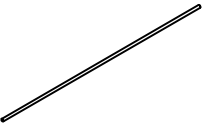
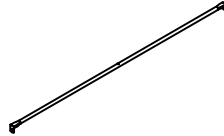
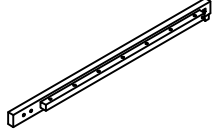
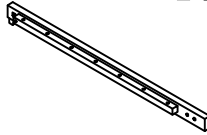
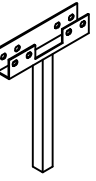













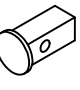


HODEDAH

www.hodedah.com
support@hodedah.com

Parts

<p>① Head Board 1 un.</p> 	<p>② Foot Board 1 un.</p> 	<p>③ Bedstead 12 un.</p> 	<p>④ Bedstead 2 un.</p> 
<p>⑤ Bed Beam 2 un.</p> 	<p>⑥ Bedstead 2 un.</p> 	<p>⑦ Bedstead 2 un.</p> 	<p>⑧ Bed Beam 2 un.</p> 
<p>⑨ Bed Beam 2 un.</p> 	<p>⑩ Connector 2 un.</p> 	<p>⑪ Support Leg 6 un.</p> 	

Hardware

<p>Ⓐ Bolt 4 un. 1/4*90mm</p> 	<p>Ⓑ Bolt 4 un. 1/4*60mm</p> 	<p>Ⓒ Bolt 4 un. 1/4*45mm</p> 	<p>Ⓓ Bolt 2 un. 1/4*30mm</p> 
<p>Ⓔ Bolt 4 un. 1/4*26mm</p> 	<p>Ⓕ Bolt 4 un. 1/4*23mm</p> 	<p>Ⓖ Bolt 28 un. 1/4*16mm</p> 	<p>Ⓗ Decorative ball 4 un.</p> 
<p>Ⓘ Anchor 4 un.</p> 	<p>Ⓙ Bolt 8 un. 15*1/4*15mm</p> 	<p>Ⓚ Allen Key 2 un. 1/4</p> 	

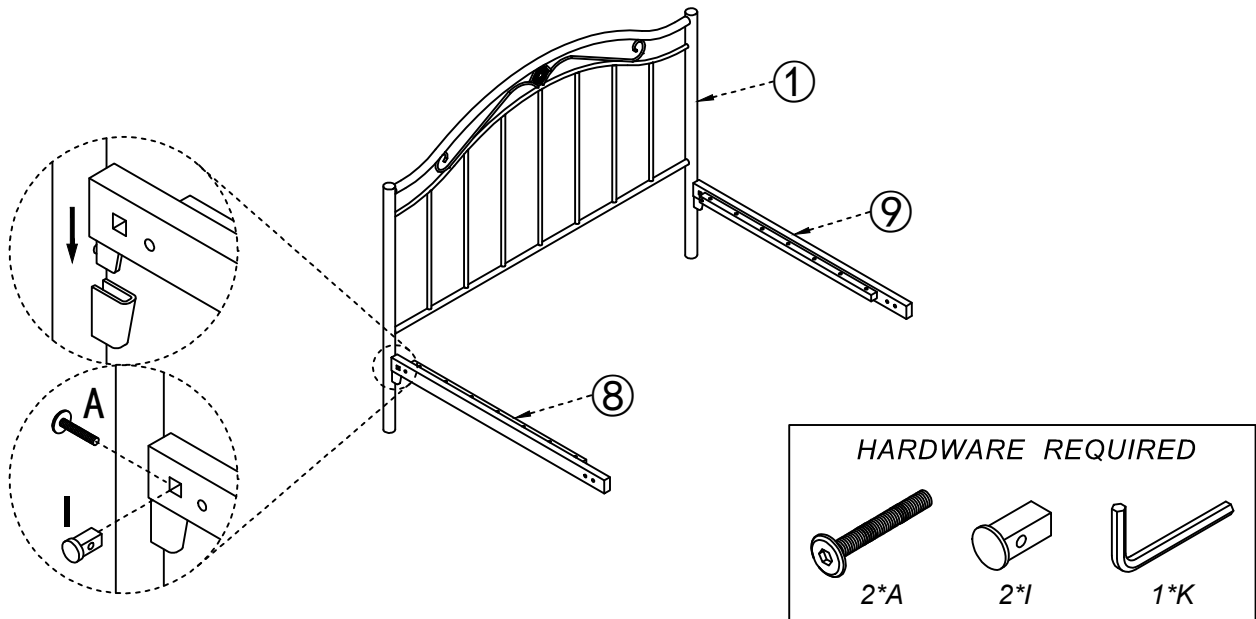


HODEDAH

www.hodedah.com
support@hodedah.com

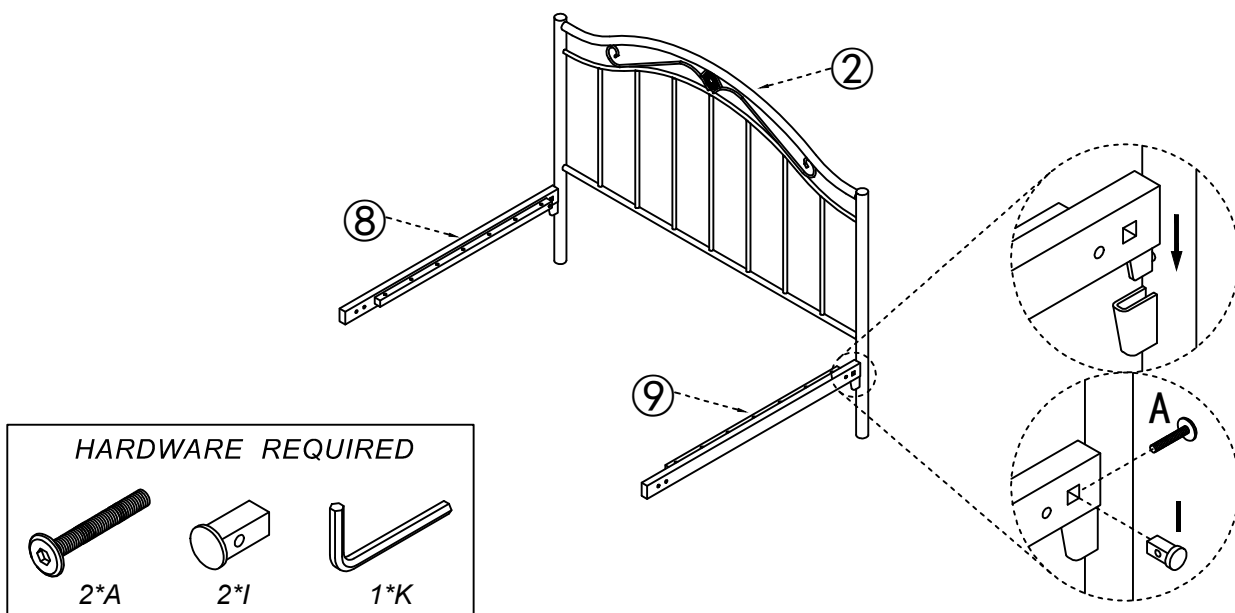
Step 1

- Attach bed beam (8) and (9) to head board (1), insert the small steel plate into groove.
- Insert anchor (I) into the hole on bed beam, thread bolt (A) through head board to attach bed beam. (see pictures for example)



Step 2

- Attach bed beam (8) and (9) to foot board (2), insert the small steel plate into groove.
- Insert anchor (I) into the hole on bed beam, thread bolt (A) through foot board to attach bed beam. (see pictures for example)



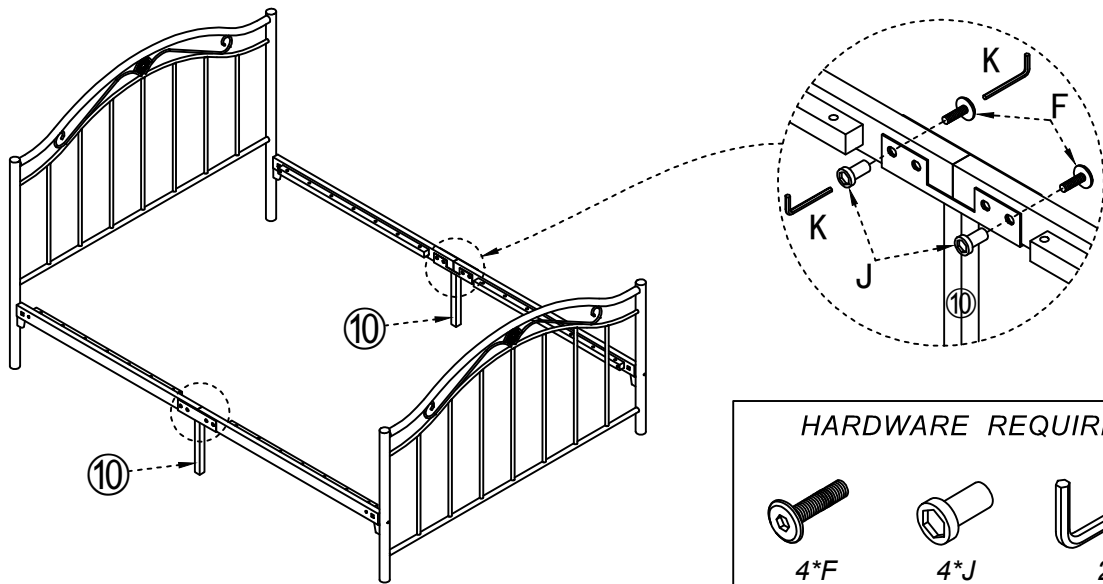


HODEDAH

www.hodedah.com
support@hodedah.com

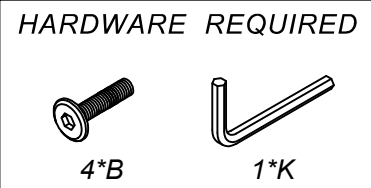
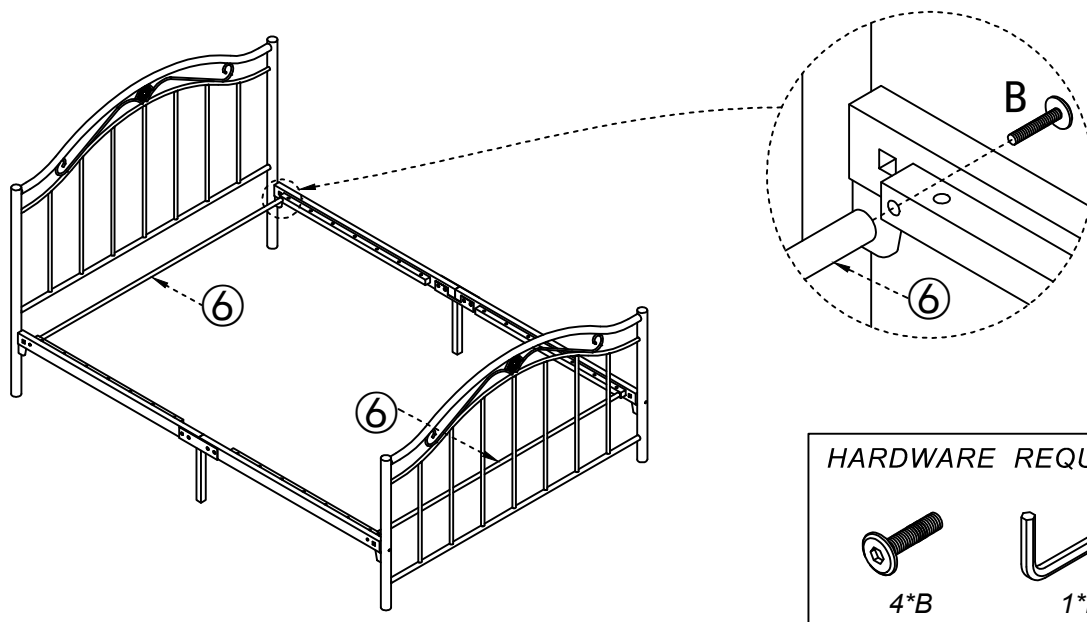
Step 3

- Put head board and foot board together by connector (10).
- Align bed beam holes with connector holes, thread bolt (F) into holes from inside, thread bolt (J) into holes from outside, join them together with allen key (K). (see pictures for example)



Step 4

- Attach bedstead (6) on bed beam (8) and (9), screw bolt (B) through bed beam from outside into bedstead. (see pictures for example)



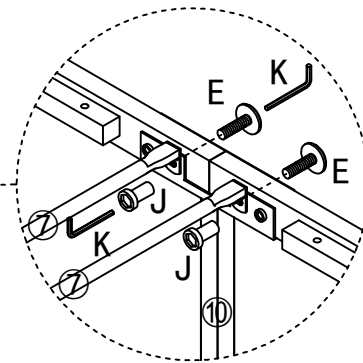
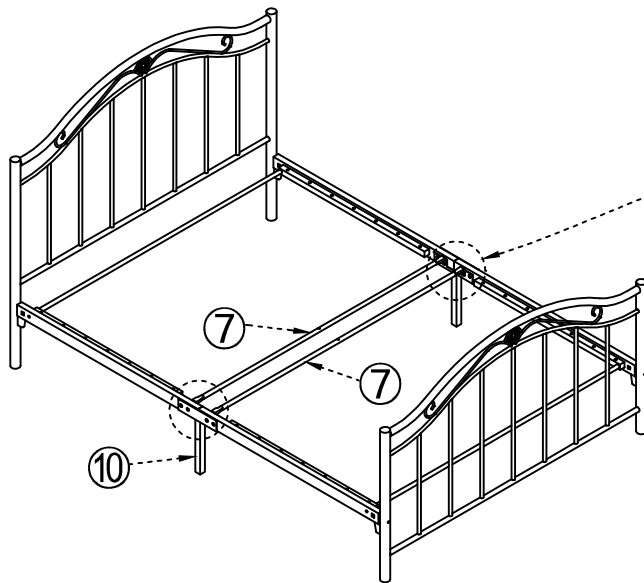


HODEDAH

www.hodedah.com
support@hodedah.com

Step 5

- Attach bedstead (7) on connector (10), screw bolt (E) through connector from outside and screw bolt (J) from inside in the meantime, tighten them together with allen key (K).
(see pictures for example)



HARDWARE REQUIRED



4*E



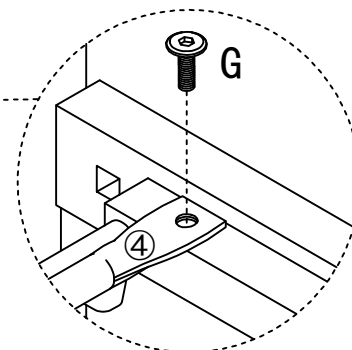
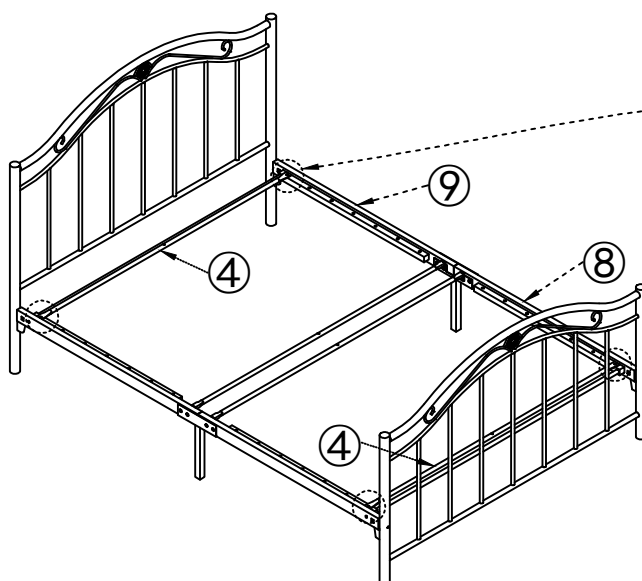
4*J



2*K

Step 6

- Attach bedstead (4) on bed beam (8) and (9), screw bolt (G) into the holes.
(see pictures for example)



HARDWARE REQUIRED



4*G



1*K

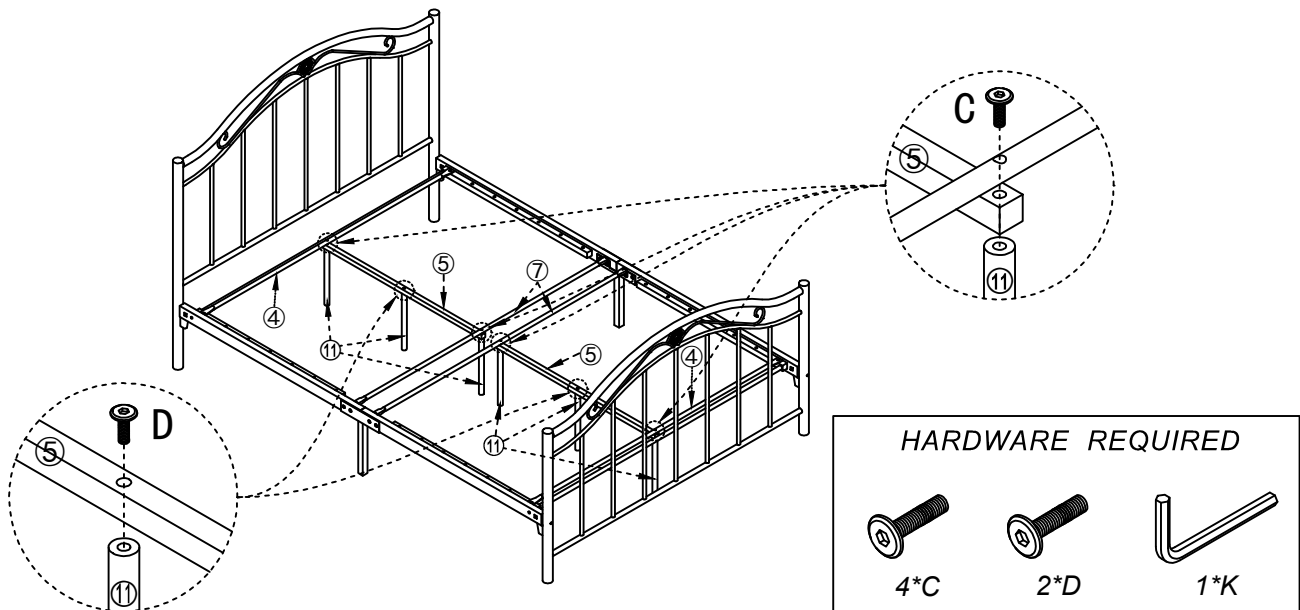


HODEDAH

www.hodedah.com
support@hodedah.com

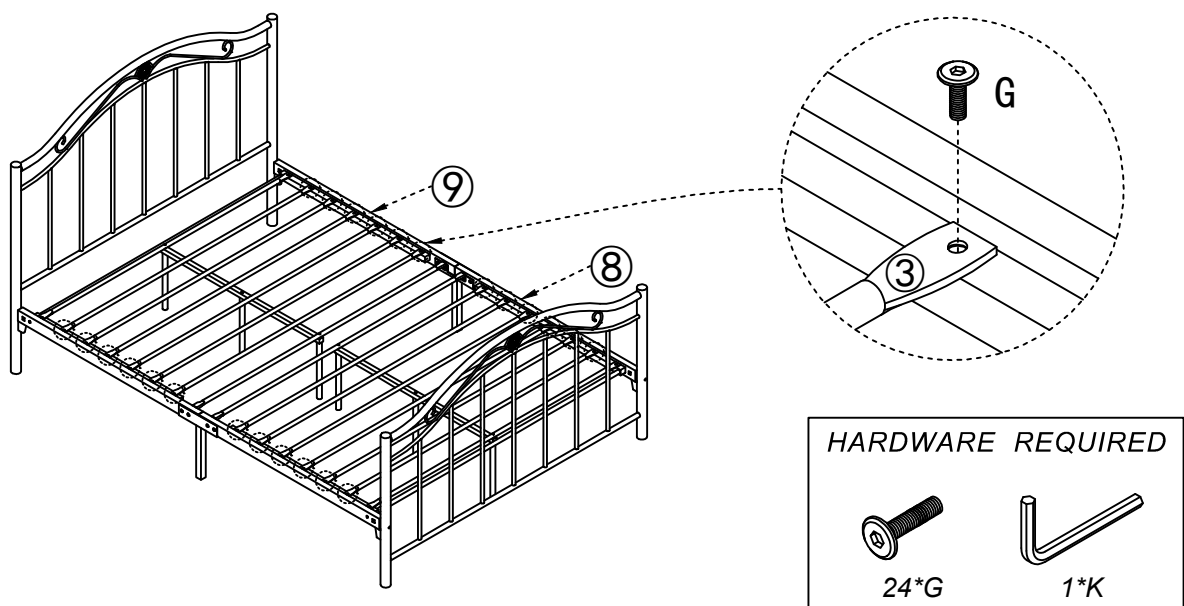
Step 7

- Attach bed beam (5) under bedstead (4) and (7), stand up support leg (11) and put under the bed beam.
- Insert bolt (C) into holes at both ends of bed beam from top after aligning holes.
- Insert bolt (D) into holes at middle of bed beam from top after aligning holes. (see pictures for example)



Step 8

- Attach bedstead (3) to bed beam (8) and (9), insert bolt (G) from upside after align all holes. (see pictures for example)



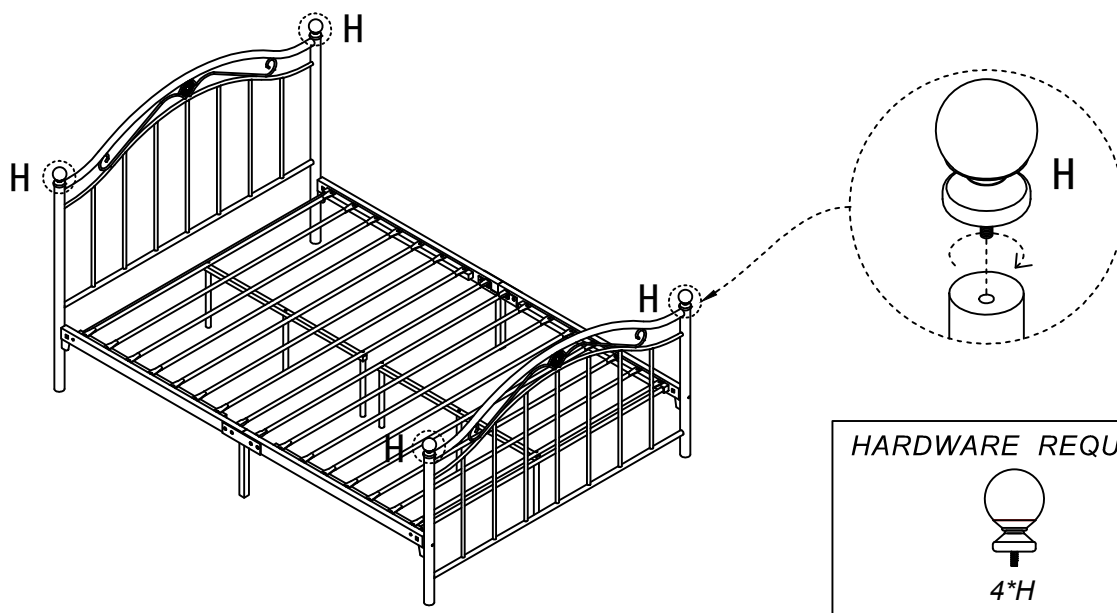


HODEDAH

www.hodedah.com
support@hodedah.com

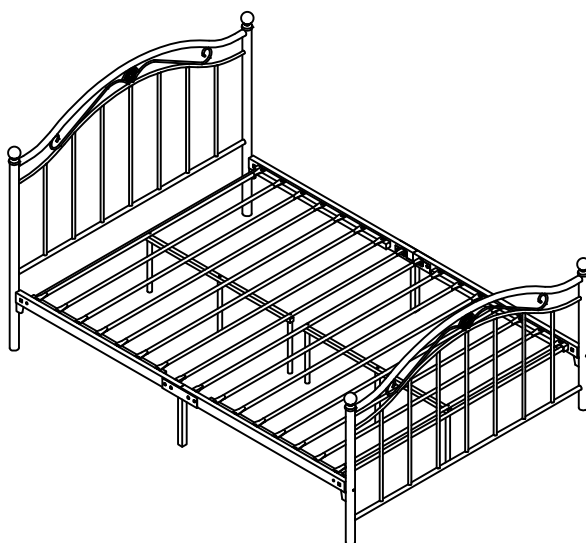
Step 9

- Screw the decorative ball (H) on top of bed stock. (see pictures for example)



Step 10

- Tighten all bolt with allen key (K) after making sure they are in the right position.



Job Complete !

In the interest of our environment please dispose of all packaging thoughtfully.