

TROUBLE SHOOTING CHART

Symptom	Possible Cause(s)	Corrective Action
Pump will not start or run	<ol style="list-style-type: none"> Blown fuse or breaker Low supply voltage Worn motor Impeller not rotating (jammed) Thermal protector open 	<ol style="list-style-type: none"> Check pump housing or power cord for damage, before replacing fuse or resetting breaker. If in doubt call an electrician Contact an electrician Replace pump If impeller will not turn, disconnect pump from power source and remove blockage (see Volute and Impeller Cleaning Instructions) <ol style="list-style-type: none"> Water temperature is too high, allow water to cool before pumping Inlet clogged, remove debris Motor seized, replace pump Discharge clogged or hose kinked/clogged. Clear blockage
Pump starts but delivers little or no flow	<ol style="list-style-type: none"> Inlet clogged Low supply voltage Restriction in discharge hose Discharge lift too high Impeller clogged 	<ol style="list-style-type: none"> Clean debris from exterior of volute and all debris filtering features Contact an electrician Unwind garden hose, remove any kinks or restrictions in hose Water level to end of garden hose is 25 ft. or greater, reduce vertical lift. Disconnect pump from power source and remove blockage(see Volute and Impeller Cleaning Instructions)

LIMITED WARRANTY

For one year for WWB 2 model from the date of purchase, from an authorized dealer, Wayne Water Systems will repair or replace, at its option for the original purchaser, any part or parts of its Multi-Use Pumps or Water Pumps ("Product") found upon examination by Wayne Water Systems to be defective in materials or workmanship. Please call Wayne Water Systems (866-928-7284) for warranty instructions. Be prepared to provide the model number and the serial number when exercising this warranty. All transportation charges on Products or parts submitted for repair or replacement must be paid by purchaser.

This Limited Warranty does not cover Products which have been damaged as a result of accident, abuse, misuse, neglect, improper installation, improper maintenance, or failure to operate in accordance with Wayne Water Systems' written instructions.

THIS WARRANTY IS IN LIEU OF ANY AND ALL OTHER WARRANTIES, OBLIGATIONS OR AGREEMENTS, EXPRESSED OR IMPLIED, INCLUDING ANY IMPLIED WARRANTY OF MERCHANTABILITY OR FITNESS FOR ANY PARTICULAR PURPOSE, AND ANY RIGHTS OR REMEDIES AGAINST ANY PERSON OR ENTITY UNDER THE UNIFORM COMMERCIAL CODE OR OTHERWISE WITH RESPECT TO THE SALE OF THE PRODUCT. THE REMEDIES AND OBLIGATIONS STATED IN THIS WARRANTY ARE THE SOLE AND EXCLUSIVE REMEDIES OF AND OBLIGATIONS TO THE OWNER FOR ANY AND ALL MATTERS ARISING WITH RESPECT TO OR IN ANY WAY CONNECTED WITH THE PRODUCT, REGARDLESS OF THE SOURCE OR PROVIDER OF SUCH GOODS. IN NO EVENT, WHETHER AS A RESULT OF BREACH OF CONTRACT, WARRANTY TORT (INCLUDING NEGLIGENCE) OR OTHERWISE, SHALL WAYNE WATER SYSTEMS OR ANY AFFILIATE BE LIABLE FOR ANY SPECIAL, INCIDENTAL OR CONSEQUENTIAL DAMAGES.

You **MUST** retain your purchase receipt along with this form. In the event you need to exercise a warranty claim, you **MUST** send a **copy** of the purchase receipt along with the material or correspondence. Please call Wayne Water Systems (866-928-7284) for return authorization and instructions.

DO NOT MAIL THIS FORM TO Wayne Water Systems. Use this form only to maintain your records.

MODEL NO. _____ SERIAL NO. _____ INSTALLATION DATE _____

ATTACH YOUR RECEIPT HERE

WAYNE

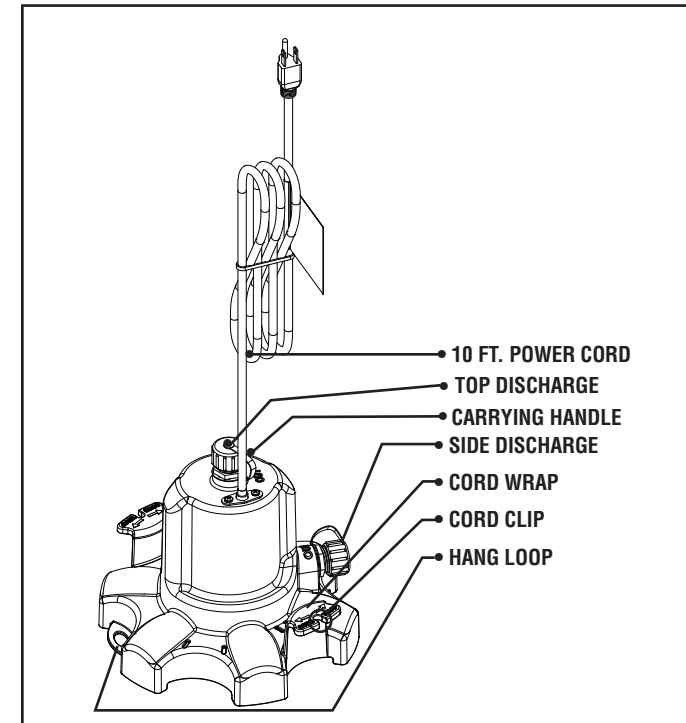


READ THIS MANUAL BEFORE USING THIS PRODUCT. FAILURE TO FOLLOW THE INSTRUCTIONS AND SAFETY PRECAUTIONS IN THIS MANUAL CAN RESULT IN SERIOUS INJURY OR DEATH. KEEP THIS MANUAL FOR FUTURE REFERENCE.

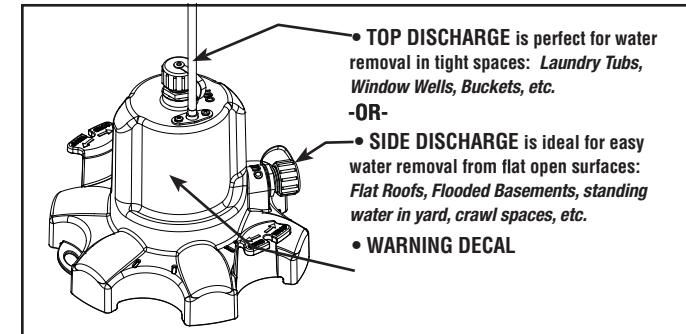
QUICK START INSTRUCTIONS

WWB 2

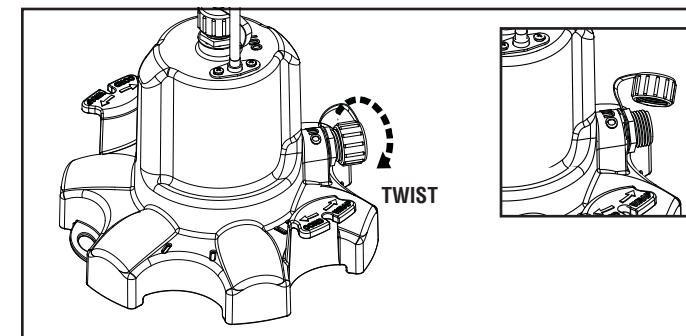
STEP 1 - GET TO KNOW YOUR PUMP



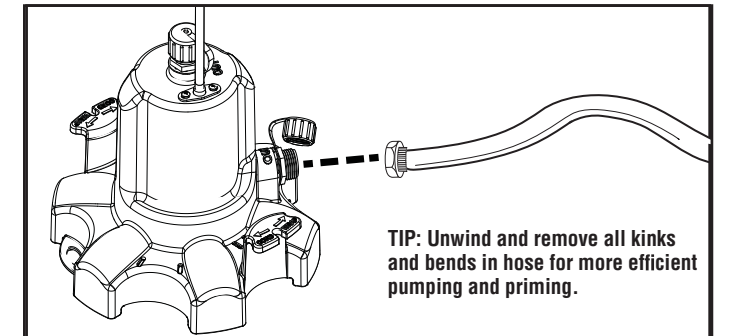
STEP 2 - CHOOSE THE DISCHARGE BEST FOR THE APPLICATION



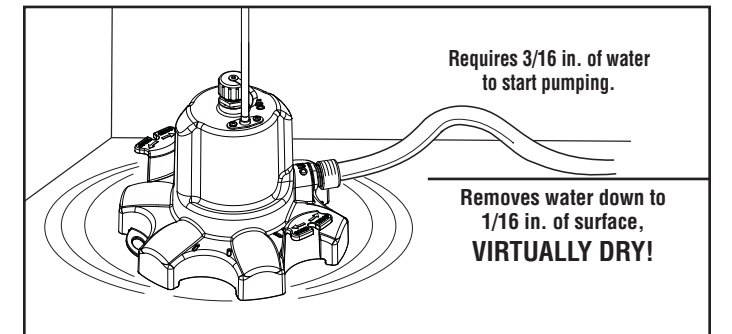
STEP 3 - REMOVE DISCHARGE CAP



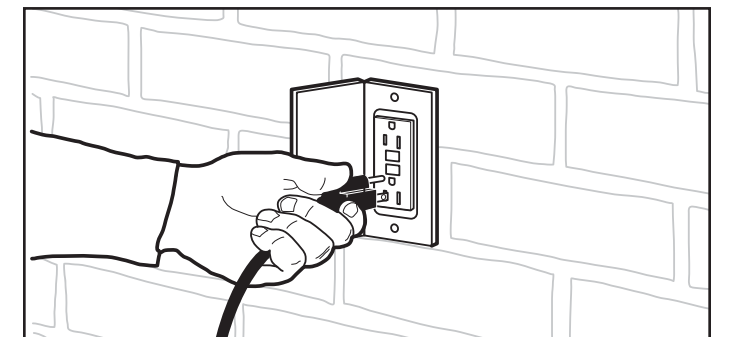
STEP 4 - ATTACH GARDEN HOSE TO BRASS DISCHARGE



STEP 5 - PLACE IN WATER



STEP 6 - ALWAYS PLUG INTO GFCI OUTLET. UNPLUG PUMP WHEN WATER IS NO LONGER BEING MOVED. DO NOT RUN PUMP DRY FOR EXTENDED PERIOD OF TIME.



FOR FURTHER INSTRUCTIONS, DOWNLOAD OWNER'S MANUAL ONLINE

www.waynepumps.com/product/wwb

PUMP OPERATION (CONT'D)

7. Always know where your discharge hose is placed. An unsecured discharge hose may move or whip when the pump is turned on.
8. Plug the power cord into a grounded 120 VAC GFCI protected power outlet. Make sure the electrical outlet is grounded and is rated for at least 15 amps. The pump will start operating as soon as the power cord is plugged into the power outlet.
9. The pump will remove water down to approximately 1/16 inch of the surface the pump was placed on. Removing water down to 1/16 inch is based on many factors. For pump to remove water as low as possible the pump must be on a level surface.
10. The pump should be unplugged once the water is no longer being moved, or pump will run dry.

PUMP RESET

If the pump runs dry, the pump will shut off. A hard reset is required.
To reset the auto off function of the waterbug2, follow the steps below:

- A. For standard resetting, unplug pump and wait approximately 1 hour.
- B. For rapid reset, unplug pump, submerge in cold water, and wait approximately 15 minutes.
- C. Remove from water then plug to a grounded outlet, to verify it has reset.
- D. If pump does not reset, unplug and wait 5 minutes, then repeat step C.

NOTICE Do not allow pump to run dry. The shaft seal depends on water for lubrication. Operating the pump without water will damage the shaft seal and cause pump failure.

NOTICE When the water level is approaching the minimum pumping limit (1/16 inch), the water removal rate may slow, and the pump may become more noisy. This is due to air being drawn into the pump in addition to water. During this time the pump may still remove water. Once water has stopped coming out of the hose unplug pump to avoid running dry.



NOTICE When routing the electrical cord protect cord from sharp objects, hot surfaces, oils, and chemicals. Do not kink cord, do not use with damaged cord.

MAINTENANCE

WARNING Disconnect power before servicing. Improper use could result in death or serious injury.

AVERTISSEMENT Débrancher l'alimentation avant de procéder à l'entretien. Une utilisation incorrecte peut entraîner la mort ou des blessures graves.

1. Keep pump inlet clean and free of all foreign objects. Inspect inlet at beginning of each use.
2. The motor housing is completely sealed and requires no service. Disassembly of the motor housing or alteration of the power cord could result in fatal electrical shock and will void warranty.

SERVICE AND REPAIR

NOTICE Service work on this pump must be performed by qualified repair personnel. ONLY use identical WAYNE replacement parts.

WARNING When servicing this pump, only identical WAYNE replacement parts should be used. Failure to follow these steps may create a risk of flooding, property damage, fatal electrical shock, or other serious injury.

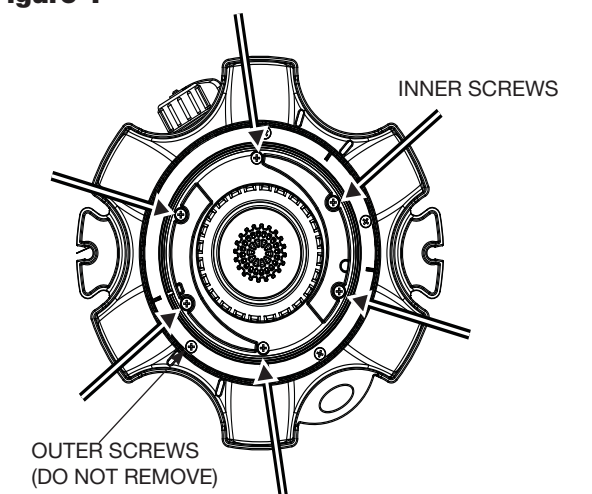
AVERTISSEMENT Lors de l'entretien de cette pompe, seules des pièces de rechange originales de WAYNE doivent être utilisées. Le non-respect de ces étapes peut entraîner un risque d'inondation, de dégâts matériels, de choc électrique mortel ou d'autres blessures graves.

NOTE: Debris filter will not protect pump from all debris. If reduced performance is noticed it may be necessary to clean the volute and impeller.

VOLUTE AND IMPELLER CLEANING

- a. Unplug pump
- b. Remove inner 6 screws shown in (Figure 1), do not remove the outer screws!
- c. Remove volute and clean impeller and volute of all debris.
- d. Reposition cork gasket using alignment features taking care not to obstruct pump discharge openings.
- e. Reinstall volute using caution not to overtighten or strip screws or screw bosses.

Figure 1



GENERAL SAFETY INFORMATION (CONT'D)

⚠ WARNING Use safety equipment. Always wear eye protection. Dust mask, non-skid safety shoes and hard hat must be used for appropriate conditions.

⚠ AVERTISSEMENT Utiliser un équipement de sécurité. Toujours porter des lunettes de protection. Un masque anti-poussière, des chaussures de sécurité antidérapantes et un casque doivent être utilisés selon les conditions appropriées.

⚠ WARNING If using pump to drain a vessel containing heated water, allow time for water time to cool to ambient temperature before pumping the water. Failure to do so may cause pump failure or property damage and will void warranty.

⚠ AVERTISSEMENT Lors de l'utilisation d'une pompe pour vider un réservoir contenant de l'eau chaude, laissez l'eau refroidir jusqu'à température ambiante avant de la pomper. Ne pas le faire peut entraîner une panne de la pompe ou des dégâts matériels et annulera la garantie.

⚠ WARNING This product is not approved for permanent pool applications or as a pool or spa-cover drain pump.



⚠ AVERTISSEMENT Ce produit n'est pas approuvé pour une utilisation permanente en piscine ou comme pompe de vidange de piscine ou de cuve thermique.

⚠ DANGER If there is water or moisture on the floor, do not walk on wet area until all power is turned off. If the shut-off box is in the basement, call an electrician. Failure to follow this warning could result in fatal electrical shock.

⚠ DANGER Si le sous-sol a de l'eau ou de l'humidité sur le plancher, ne pas marcher aux endroits mouillés avant que le courant ne soit coupé. Si le boîtier de coupure de courant se trouve au sous-sol, appeler un électricien. Le non-respect de cet avertissement peut entraîner un choc électrique mortel.

⚠ DANGER Disconnect power before servicing. Improper use could result in death or serious injury.

⚠ DANGER Débrancher l'alimentation avant de procéder à l'entretien. Une utilisation incorrecte peut entraîner la mort ou des blessures graves.

⚠ DANGER DO NOT handle a pump or pump motor with wet hands or when standing on wet or damp surface or in water when pump is connected to power source.



⚠ DANGER NE PAS manipuler une pompe ou un moteur de pompe avec des mains mouillées ou sur une surface mouillée ou humide ou dans l'eau lorsque la pompe est connectée à une source d'alimentation.

PUMP OPERATION

1. This pump has been designed to attach to a standard garden hose. Thread the female end of the garden hose to either discharge on the pump. Make sure the discharge not being used is securely sealed using the attached screw-on cap (if unused discharge is not capped, water will not be pumped through the garden hose).
2. To reduce leakage between the pump and the hose, place a hose washer (not included) on the garden hose before attaching to the pump.
3. For best pump performance, unwind the hose before starting the pump. This will help remove any kinks or binds in the hose and allow the unit to pump with less restriction.
4. Place pump on a hard surface in the water. Do not set the pump directly on mud or sand surfaces. This will cause the inlet screen to clog. For best results clean an area on the hard surface for the pump to sit while working. The filter features of this pump work best if the debris is filtered from the outside in. Sitting the pump directly on a loose/dirty surface will not allow the filter features to work to their full extent.

NOTE: A flat object such as a piece of hardwood or rigid plastic (e.g. 5 gallon bucket lid) can be placed under the pump if no clean hard surface can be found. However, this will increase the priming and pump down levels.

NOTICE Do not place pump directly on clay, gravel, leaves or any loose or sandy surfaces. These surfaces contain small stones, sand, or debris that may clog or damage the pump. This could result in pump failure causing flooding and property damage.

5. The water level must be at least 3/16 inch deep for the pump to operate. Water levels less than 3/16 inch will not allow the impeller to contact water and no water will be pumped.
6. Inspect the pump housing, power cord, and plug for damage or leaks. If the plug is missing the grounding prong or the cord is damaged, do not use the pump. If the pump housing is damaged or leaking discard pump. DO NOT USE.

⚠ WARNING Never cut off grounding prong or use an adapter, this will void warranty.

⚠ AVERTISSEMENT Ne jamais débrancher la broche de mise à la terre ou utiliser un adaptateur, cela annulera la garantie.



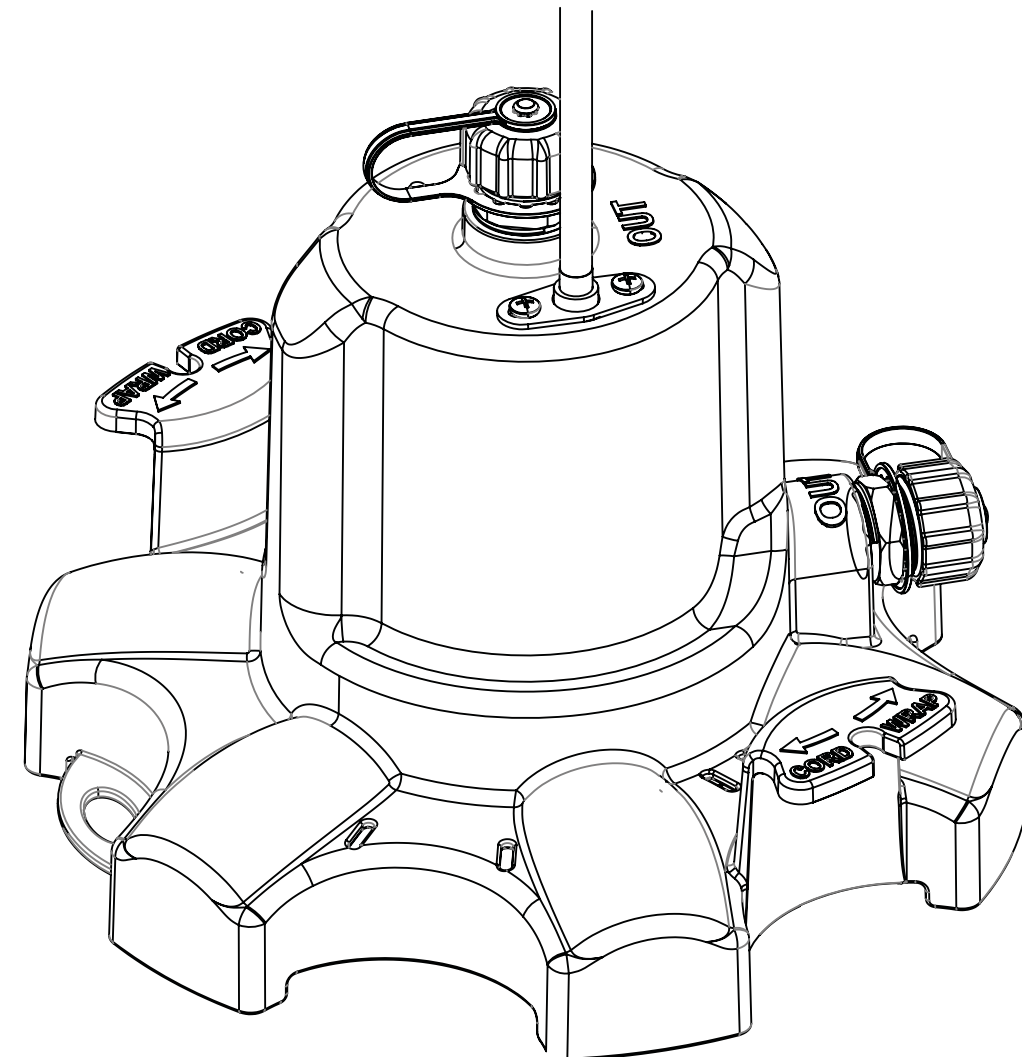
Please read and save these instructions. Read carefully before attempting to assemble, install, operate or maintain the product described. Protect yourself and others by observing all safety information. Failure to comply with instructions could result in personal injury and/or property damage! Retain instructions for future reference.

Operating Instructions and Parts Manual

WWB 2

SPECIFICATIONS		CONSTRUCTION	
POWER SUPPLY REQUIREMENTS	120 V, 60 Hz	MOTOR HOUSING	Thermoplastic
MOTOR	Single Phase, Dielectric Oil Filled	MOTOR SHAFT	Stainless Steel
HORSEPOWER	1/6 HP	IMPELLER	Thermoplastic
CIRCUIT REQUIREMENT	15 A (minimum)	PUMP DISCHARGE	(2) 3/4 in. Brass Hose Fittings
LIQUID TEMPERATURE RANGE	40° F- 120° F		

PERFORMANCE								
Model	HP	Discharge Head	0 ft.	5 ft.	10 ft.	15 ft.	20 ft.	25 ft.
WWB 2	1/6	Gal/hr	1350	1190	1010	815	600	350



DESCRIPTION

This Submersible Multi-Use Pump is designed for non-automatic use in clear water. The unit is equipped with a 10 foot, 3-prong grounding type power cord. The motor is oil-filled and sealed for cooler operation. Both discharge fitting are designed for convenient attachment to a garden hose. As a safety feature, this pump will auto shut off if the pump is left unattended or runs dry.

UNPACKING

Inspect this unit before it is used. Occasionally, products are damaged during shipment. If the pump or components are damaged, return the unit to the place of purchase for replacement, or call Customer Support (866-928-7284).

SAFETY SIGNAL WORDS

This manual contains information that is very important to know and understand. This information is provided for SAFETY and to PREVENT EQUIPMENT PROBLEMS. To help recognize this information, observe the following symbols.

⚠ DANGER Danger indicates an imminently hazardous situation which, if NOT avoided, WILL result in death or serious injury.

⚠ DANGER La mention Danger indique une situation dangereuse imminente qui, si elle n'est pas évitée, ENTRAÎNE la mort ou des blessures graves.

⚠ WARNING Warning indicates a potentially hazardous situation which, if NOT avoided, COULD result in death or serious injury.

⚠ AVERTISSEMENT La mention avertissement indique une situation potentiellement dangereuse qui, si elle n'est pas évitée, risque d'entraîner des lésions corporelles graves ou même la mort.

⚠ CAUTION Caution indicates a potentially hazardous situation which, if NOT avoided, MAY result in minor or moderate injury.

⚠ MISE EN GARDE La mention mise en garde indique une situation potentiellement dangereuse qui, si elle n'est pas évitée, pourrait entraîner des blessures mineures ou modérées.

NOTICE Notice indicates important information, that if NOT followed, MAY cause damage to equipment.

⚠ This is the safety alert symbol. It is used to alert you to potential bodily injury hazards. Obey all safety messages that follow this symbol to avoid possible harm.

GENERAL SAFETY INFORMATION

⚠ WARNING

This product can expose you to chemicals, including DEHP, which is known to the State of California to cause cancer, birth defects and reproductive harm. For more information, go to www.P65Warnings.ca.gov.

⚠ AVERTISSEMENT

Ce produit peut vous exposer à des produits chimiques, notamment du DOP, reconnus par l'État de Californie comme étant cancérigènes et à l'origine d'anomalies congénitales et de problèmes de l'appareil reproductif. Pour plus de renseignements, visiter le site www.P65Warnings.ca.gov.

⚠ CAUTION Most electric product-related incidents are caused by failure to observe basic safety rules or precautions. WAYNE Water Systems is NOT responsible for any bodily injury or property damage that may result from operation outside of the normal operating conditions.

⚠ MISE EN GARDE La plupart des incidents liés aux matériels électriques sont causés par le non-respect des règles de sécurité ou des précautions de base. WAYNE Water Systems N'EST PAS responsable des blessures corporelles ou des dégâts matériels qui pourraient résulter d'une utilisation autre que les conditions d'utilisation normales.

⚠ DANGER If using pump to drain a vessel of water make sure the pump is not used while people are in, or in-contact with the water.

⚠ DANGER Lors de l'utilisation de la pompe pour vider un réservoir d'eau, s'assurer que personne ne se trouve dans ou en contact avec l'eau.

GENERAL SAFETY INFORMATION (CONT'D)

⚠ DANGER Do NOT pump flammable or explosive fluids such as gasoline, fuel oil, kerosene, solvent, thinners, etc. DO NOT use in a flammable and/or explosive atmosphere. ONLY pump clear water. Improper use could result in death or serious injury, and will void warranty.

⚠ DANGER NE PAS pomper de liquides inflammables ou explosifs tels que de l'essence, du mazout, du kérosène, des solvants, des diluants, etc. NE PAS utiliser dans un environnement inflammable et/ou explosive. Pomper UNIQUEMENT de l'eau claire. Une utilisation incorrecte peut entraîner la mort ou des blessures graves et annulera la garantie.

⚠ DANGER Electric shock hazard! GFCI receptacles will provide protection against line to ground faults only. The ground fault receptacle does NOT limit the magnitude of fault current and will NOT prevent electrical shock.

⚠ DANGER Risque de choc électrique! Le disjoncteur de fuite à la terre fournira une protection uniquement contre les défauts entre les lignes et les fuites à la terre. Le boîtier du disjoncteur de fuite à la terre ne limite PAS l'amplitude du courant de défaut et n'empêchera PAS les chocs électriques.

⚠ DANGER This pump must be plugged into a properly installed, and grounded GFCI outlet in accordance with all applicable codes and ordinances. Never remove the grounding prong or modify the plug in any way. Do not use any adapter plugs. Check with a qualified electrician if you are not sure the outlet is grounded. If the pump should electrically malfunction or break down, grounding provides a low resistance path to carry electricity away from the user.

⚠ DANGER Cette pompe doit être branchée dans une prise correctement installée et une prise équipée d'un disjoncteur de fuite à la terre, conformément à tous les codes et règlements applicables. Ne jamais retirer la broche de mise à la terre et ne modifier, en aucun cas, la fiche. Ne pas utiliser de prises d'adaptateur. Vérifier avec un électricien qualifié que la prise est bien mise à la terre. Si la pompe présente un dysfonctionnement électrique ou une panne, la mise à la terre fournit un chemin de faible résistance pour éloigner l'électricité de l'utilisateur.

⚠ DANGER Before each use inspect pump, power cord and plug for damage. If damage is present DO NOT USE pump.

⚠ DANGER Avant chaque utilisation, vérifier que la pompe, le cordon d'alimentation et la prise ne sont pas endommagés. Si des dommages sont présents, NE PAS UTILISER la pompe.

⚠ DANGER Electrical wiring must be performed by a qualified electrician. Improper wiring could result in fatal shock.

⚠ DANGER Le câblage électrique doit être réalisé par un électricien qualifié. Un câblage incorrect peut entraîner un choc mortel.

⚠ DANGER Do not abuse cord. Never use the cord to carry the pump or pull the plug from an outlet. Keep cord away from heat, oil, sharp edges, or moving parts. Damaged cords increase the risk of electrical shock and will void warranty.

⚠ DANGER Prendre soin du cordon. Ne jamais utiliser le cordon pour transporter la pompe ou tirer la fiche d'une prise de courant. Éloigner le cordon de la chaleur, de l'huile, des arêtes vives ou des pièces mobiles. Les cordons endommagés augmentent le risque de choc électrique et annuleront la garantie.

NOTICE This pump is not designed to handle salt water, brine, laundry discharge, or any other application which may contain caustic chemicals, highly chlorinated water, an/or foreign materials. This pump is not suitable for use with aquatic life. Pump damage or failure could occur if used in these applications and will void warranty.

NOTICE If you use an extension cord or surge protector, call Customer Support for proper gauge and length. This increases the risk of electrical shock. Extension cords may introduce voltage drop and may damage pump, property, and/or surge protector and could void warranty.

⚠ WARNING Stay alert, watch what you are doing, and use common sense when using this pump. Do not attempt to use this pump while tired or under the influence of drugs, alcohol or medications. A moment of inattention may result in serious personal injury.

⚠ AVERTISSEMENT Lors de l'utilisation de la pompe il faut rester vigilant, être concentré sur ce qu'on fait et faire preuve de bon sens. Ne pas essayer d'utiliser cette pompe en cas de fatigue ou sous l'influence de drogues, d'alcool ou de médicaments. Un moment d'inattention peut entraîner des blessures graves.

⚠ WARNING Dress properly. Do not wear loose clothing or jewelry. Pull back long hair. Keep your hair, clothing, and gloves away from moving parts. Loose clothes, jewelry, or long hair can be caught in moving parts.

⚠ AVERTISSEMENT S'habiller correctement. Ne pas porter de vêtements amples ou de bijoux. Attacher les cheveux longs. Garder les cheveux, les vêtements et les gants éloignés des pièces mobiles. Les vêtements amples, les bijoux ou les cheveux longs peuvent se prendre dans les pièces mobiles.

⚠ WARNING Do not overreach. keep proper footing and balance at all times. Proper footing and balance enables better control in unexpected situations.

⚠ AVERTISSEMENT Ne pas trop se pencher. Maintenir, à tout moment, une bonne assise et un bon équilibre permet de garder un meilleur contrôle dans des situations imprévues.

REMINDER: Keep your dated proof of purchase for warranty purposes! Attach it to this manual or file it for safekeeping.