

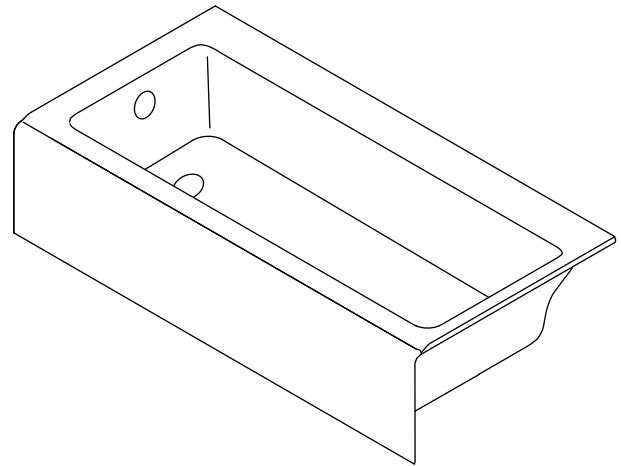
Features

- Cast iron with Safeguard® finish
- Integral apron
- Left or right drain
- 60" (1524 mm) x 30-1/4" (768 mm) x 14-1/2" (368 mm)

BATH WITH INTEGRAL APRON

K-837
ALSO K-838

ADA CSA B651 OBC



Codes/Standards Applicable

Specified model meets or exceeds the following:

- ADA
- ICC/ANSI A117.1
- ASME A112.19.1/CSA B45.2
- CSA B651
- OBC

Colors/Finishes

- 0: White
- Other: Refer to Price Book for additional colors/finishes

Accessories

- CP: Polished Chrome
- Other: Refer to Price Book for additional colors/finishes

Specified Model

Model	Description	Colors/Finishes	
K-837	Bath with integral apron – left drain (shown)	<input type="checkbox"/> 0	<input type="checkbox"/> Other_____
K-838	Bath with integral apron – right drain	<input type="checkbox"/> 0	<input type="checkbox"/> Other_____

Recommended Accessories			
K-7259	Toe tap bath drain OR	<input type="checkbox"/> CP	<input type="checkbox"/> Other_____
K-37380	Cable bath drain – 30" (762 mm), brass OR	<input type="checkbox"/> CP	<input type="checkbox"/> Other_____
K-37383	Cable bath drain – 30" (762 mm), with PVC tubing	<input type="checkbox"/> CP	<input type="checkbox"/> Other_____

Product Specification

The bath shall be made of cast iron with Safeguard finish. Product shall be 60" (1524 mm) in length, 30-1/4" (768 mm) in width, and 14-1/2" (368 mm) in height. Product shall feature an integral apron. Product shall be available with left or right drain. Bath shall be Kohler Model K-____-____.

BELLWETHER®

Technical Information

Fixture*:	
Bathing well:	
Basin area, bottom	48-3/4" (1238 mm) x 19-5/16" (491 mm)
Basin area, top	54-11/16" (1389 mm) x 21-3/16" (538 mm)
Weight	325 lbs (147 kg)
To overflow:	
Water depth	9" (229 mm)
Capacity	32.6 gal (123.4 L)
*Approximate measurements for comparison only.	

Installation Notes

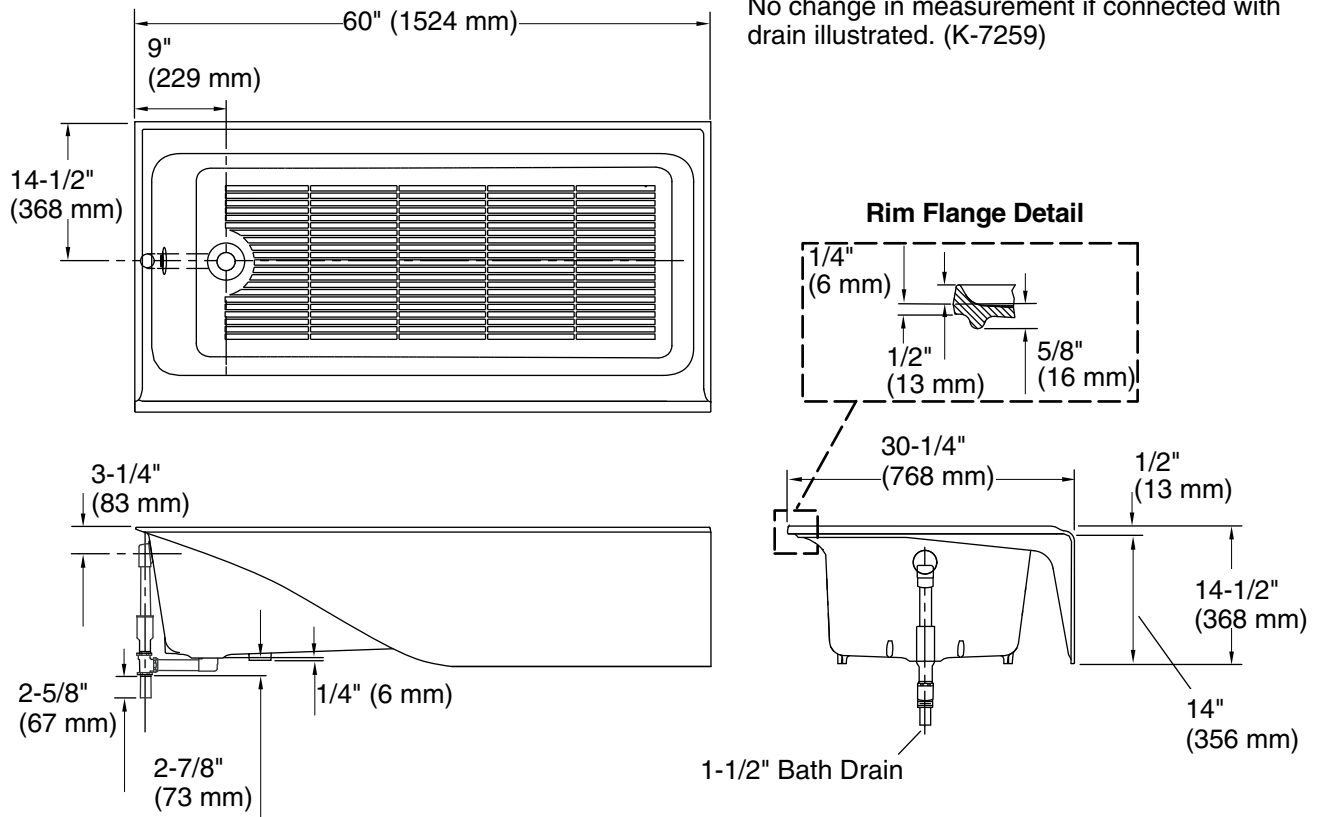
Install this product according to the installation guide.

Floor support under the bath must provide for a minimum of 52 lbs/square foot (253.9 kg/square meter) loading.

Will comply with **ADA** when installed per Section 607 Bathtubs of the ADA 2010 Standards for Accessible Design.

Will comply with **CSA B651** when installed per Clause 4.4.7 of the standard.

Will comply with **OBC** when installed per Clause 3.8.3.13.



Product Diagram