

Arch Platform Frame

Contains One (1) Frame and Hardware

DB, QN, EK, CK SIZES

IMPORTANT NOTE:

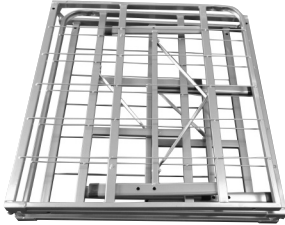
Carefully remove all the parts from the carton. Arrange on a flat surface and verify you have all of the following parts and hardware.

TOOLS REQUIRED:

Phillips Screwdriver

PART LIST

A. Platform Frame (2 pcs)



B. Wide End Arch Leg (2 pcs)



C. Narrow End Arch Leg (2 pcs)



D. Support Brackets (3 pcs)



HARDWARE LIST

E. 2 1/4" Bolt (2 pcs)



F. Rubber Spacer (2 pcs)



G. Wing Nut (2 pcs)



H. 1" x 5/16" Bolt (10 pcs)

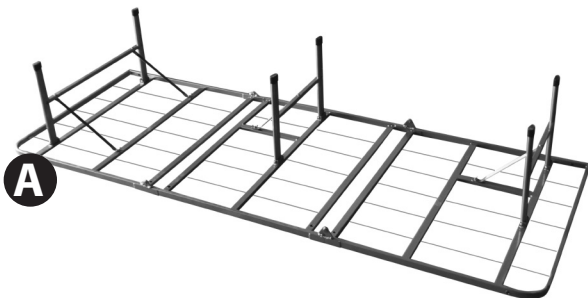


I. 1" x 1/4" Bolt (12 pcs)



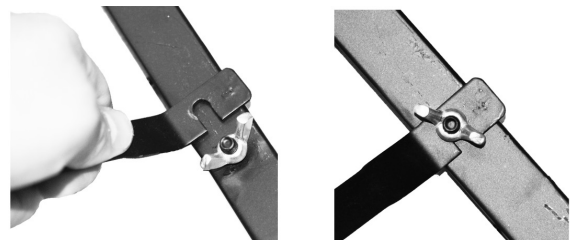
ASSEMBLY INSTRUCTIONS

STEP 1



Lay the platform frame (part A) flat on the floor with the legs facing up (both halves).

STEP 2

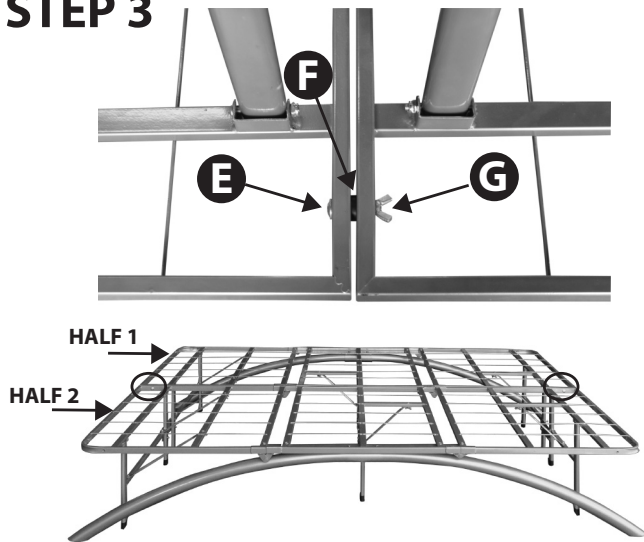


Rotate the leg supports into position against the pre-attached bolts and secure them in place by firmly tightening the pre-installed wing nuts.

(Continued on back)

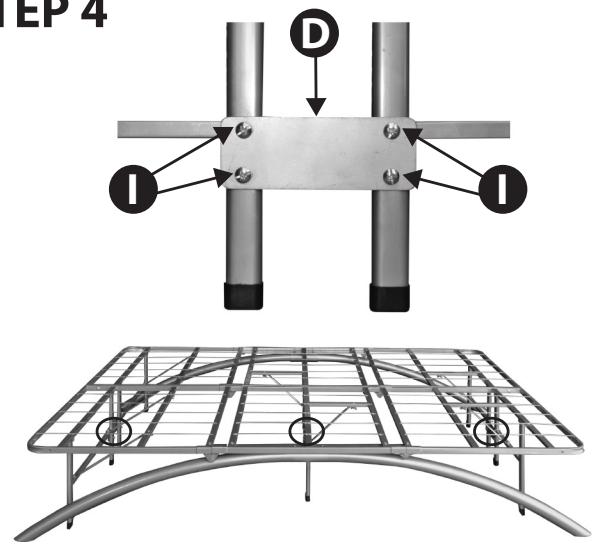
ASSEMBLY INSTRUCTIONS (CONTINUED)

STEP 3



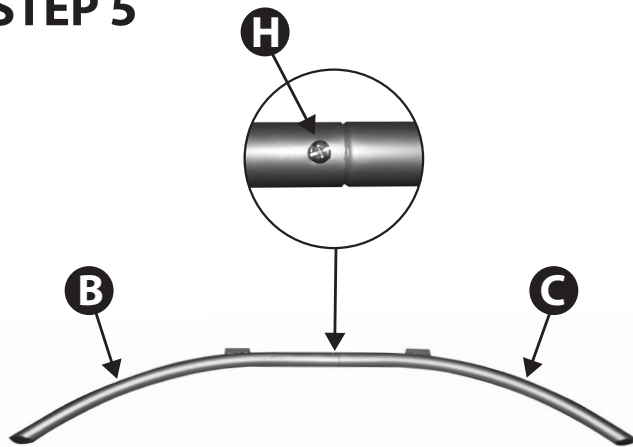
Connect the two platform frame halves (part A) using two of the $2\frac{1}{4}$ " bolts (part E) and two rubber spacers (part F). Secure the bolts in place using the two wing nuts (part G).

STEP 4



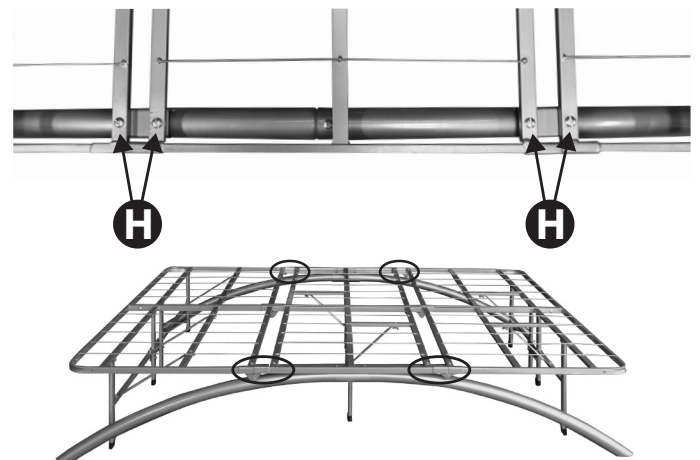
Install the three center support brackets (part D) to the legs of the platform frame (part A) using the $1" \times \frac{1}{4}"$ bolts (part I). Secure the bolts tightly. **Note:** there are a total of 12 bolts needed for the three support brackets.

STEP 5



Insert the Narrow End Arch Leg (part C) into the Wide End Arch Leg (part B). Secure using one of the provided $1" \times \frac{5}{16}"$ bolts (part H). Repeat this process to assemble both arch legs.

STEP 6



Attach the arch legs to the frame using four of the $1" \times \frac{5}{16}"$ bolts (part H) per leg. Tighten the bolts securely.

Enjoy your new arch metal frame!

