



18" High Velocity Air Circulator Instruction Manual

Black & Decker and the Black and Decker logo are trademarks of the Black & Decker Corporation and are used under license. All rights reserved. Product may differ slightly from the picture on the cover of this instruction manual.



MODEL NO.: BDSH-8018
120V AC 60HZ 0.55A 65W

**PLEASE READ, FOLLOW AND SAVE
THESE INSTRUCTIONS.
FOR HOUSEHOLD USE ONLY**

CLEANING INSTRUCTIONS

WARNING: To avoid the risk of electrical shock, always make sure the fan is unplugged from the electrical outlet before disassembling, cleaning, servicing or relocating.

1. Make sure that the guards and blade are clean to prevent damage to the fan motor and improve efficiency.
2. The fan can be cleaned with either a vacuum or a can of compressed air.
3. Remove the front guard using a screw-driver with a magnetic tip to remove the three screws that secure the grill to the fan.
4. The blade and rear blade guard can't be removed from the fan.
5. To clean the front guard, turn it counterclockwise to loosen the screws and pull off the guard. To place the front guard back on, match the shape of the shaft to the inside groove of the guard and push in. Screw fastener on clockwise to tighten.
6. Take the guard off and wipe it with a cloth or use a can of compressed air. Make sure the front guard is completely dry before securing it back onto the fan.
7. Wipe the fan blades (do not remove them) with a damp cloth dipped in a light solution of water and mild detergent.
8. Allow all parts to dry completely before reassembling the front guard. Never operate the fan without the guards securely in place.
9. The blade and rear guard cannot be removed. They must be completely dry before you can secure the guard back in its place.
10. Do not use any chemical cleaners such as acid, alcohol, etc, to clean the fan.

CARE AND MAINTENANCE

WARNING: Do not attempt to open any part of the motor housing, as it can cause electrical shock. This fan has been permanently lubricated at the factory and therefore will never require further lubrication. Additional lubrication of electric motor parts could create a fire hazard.

1. Fan should be stored in its original box and in a room with low humidity.
2. Make sure the fan is completely dry before using it.

NOTE: If you experience any problems, return the fan to the place of original purchase. Do not attempt to open the motor housing. Doing so may result in damage or personal injury.

IMPORTANT SAFEGUARDS

WARNING: To reduce the risk of electrical shock, do not attach the fan to a window or place the fan near a window.

WARNING: To reduce the risk of a fire or electrical hazard, DO NOT USE EXTERNAL DEVICES TO CONTROL FAN SPEED.

READ ALL INSTRUCTIONS BEFORE USING

1. Only use this unit as instructed in this manual. Any other uses may cause a fire, hazard or an electric shock.
2. The fan is intended to cool rooms for INDOOR, DOMESTIC HOUSEHOLD use only. Therefore, the fan should not be used in commercial or industrial locations. In addition, the fan should not be used outdoors, attached to a window or placed near a window.
3. This product is not recommended with use of electrical extension cords, this will greatly increase risks of fire and or electrical shock.
4. To reduce the risk of personal injury and electric shock, the fan should not be played with or placed where small children can reach it. Never leave children unattended when the fan is on or plugged in.
5. Always unplug the fan from the outlet before cleaning, when not in use or when moving the fan from one location to another.
6. Never submerge the fan in water.
7. Do not operate the fan in the presence of explosive and/or flammable fumes.
8. Do not place the fan or any of its parts near an open flame or a cooking or other heating appliance.
9. Never insert your fingers or anything else through the fan guards. Never drop or insert objects into any of the fan's openings.
10. Never plug the fan into an outlet with wet hands or a wet cord.
11. Do not operate the fan if it has a damaged cord or plug. Instead, return it to an authorized dealer in which you purchased the product or call the customer service number for assistance.
12. Avoid touching the fan when its parts are moving.
13. Never yank the cord. When disconnecting the fan, grip the plug and pull it from the outlet.
14. Do not operate the fan if the front and rear grill are damaged or not securely tightened.
15. To ensure a longer durability, avoid using the fan 24 hours a day, seven days a week.
16. Do not run the cord under carpeting. Do not cover the cord with throw rugs, runners, or similar covers. Do not place the cord under furniture or appliances. To prevent people from tripping and hurting themselves, ensure cord is away from traffic areas.
17. This product has overload protection (i.e. a fuse). A blown fuse indicates an overload or short-circuit situation. If the fuse blows up, immediately unplug the fan from the outlet. Replace the fuse as per the User Servicing Instructions and follow product instructions to properly check the fuse rating. If the replacement fuse blows up, it could be because of a short circuit. Regardless of the reason, do not use the fan. Instead, return it to an authorized dealer in which you purchased the product or call customer service for assistance.

WARNING: This appliance has a polarized plug (one blade on the plug is wider than the other). To reduce the risk of electric shock, only use a polarized plug in a polarized outlet. If the plug does not fit easily into the outlet, turn the plug over so the right part of the plug fits in the outlet's other slot. If the plug still does not fit, contact a qualified electrician. Do not modify the plug in any way.

USER SERVICING INSTRUCTIONS

1. Remove the plug from the receptacle or other outlet device. Do not unplug by pulling on the cord.
2. Use a suitable tool such as a small flat screwdriver or travel scissors.
3. When opening the fuse cover, slide opens the fuse access cover on top of the attachment plug towards the blades. (See Fig.1)
4. Carefully remove the fuse by prying it out. (See Fig.2)
5. A fire can result from using the wrong fuse rating. Only replace fuses with a 2.5 Amp, 125 Volt rating fuse. (replacement fuses are not included)
6. To close the fuse access cover, slide the fuse access cover on top of the attachment plug. (see Fig.3)



Fig.1



Fig.2

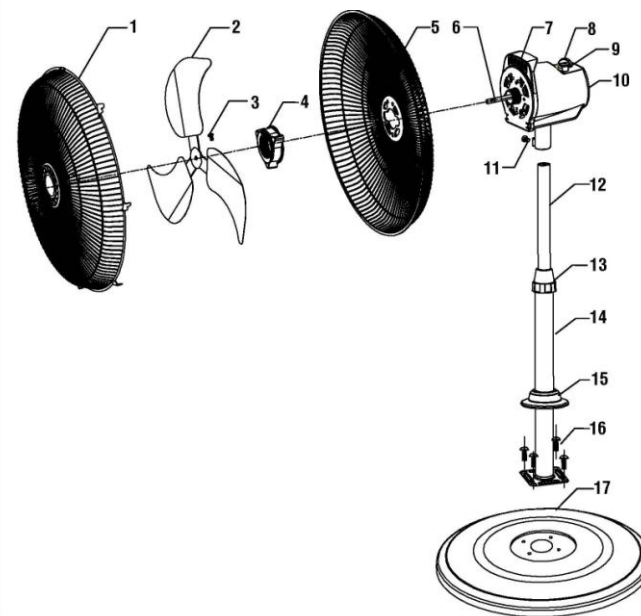


Fig.3

7. Do not replace the attachment plug because it contains a safety device (fuse) that should not be removed. Discard this product if the attachment plug is damaged

DIAGRAM

NO:	DESCRIPTION	QTY
1	Front guard	1
2	Blade	1
3	Screw(1/4"X3/8")	1
4	Locking nut	1
5	Rear guard	1
6	Motor shaft	1
7	Front motor cover	1
8	Rotary switch	1
9	Oscillation knob	1
10	Motor	1
11	Screw(1/4"X1/2")	1
12	Inner pipe	1
13	Height adjust knob	1
14	Coupling	1
15	Base cap	1
16	Screw(M5X18mm)	4
17	Base	1



ASSEMBLING INSTRUCTIONS

1. Attach the Coupling (14) to the Base (17) with four Screws (16).
2. Adjust the fan height with the Knob (13) on the Coupling Tube.
3. Position the Motor (10) into the Inner Pipe (12) by using the Neck Screw (11).
4. Attach the Rear Guard (5) over the front Motor Cover (7). Make sure the notches are correctly aligned and secure them with the Locking Nut (4).
5. Place the fan blade (2) on the Motor Shaft(6) making sure that the screw (3) is aligned over the flat portion of the fan shaft. With the screw over the flat portion, tighten the screw (3) to secure the fan blade to the shaft. Make sure that the screw is fully tightened to prevent the fan blade from slipping on the shaft.
6. With fan head in upright position, align Black & Decker logo of front grill so it is horizontal and right side up. By starting with the top of the grill and working down push the guard rings in place, so that it holds both guards together.

OPERATING INSTRUCTIONS

1. Place the fan on a level surface that is completely dry.
2. Make sure the rotary switch is at the "0" (OFF) position.
3. Plug the unit into a 120V AC 60Hz outlet.
4. Adjust the fan head vertically to your desired angle.
5. To run the unit, turn the rotary switch to the "1" (LOW), "2" (MEDIUM) or "3" (HIGH) position.
6. To turn the unit off, turn the rotary switch to the "0" (OFF) position.
7. Unplug the unit from the electrical outlet when it's not in use or is left unattended.

USA & Canada Customer Service Number:

1-888-773-8744

www.BlackandDecker.com

5870 NW 163th Street,

Miami Lakes, Florida 33014

USA

3 Year limited warranty: Covers all defective materials and workmanship under normal household use.

MADE IN CHINA