

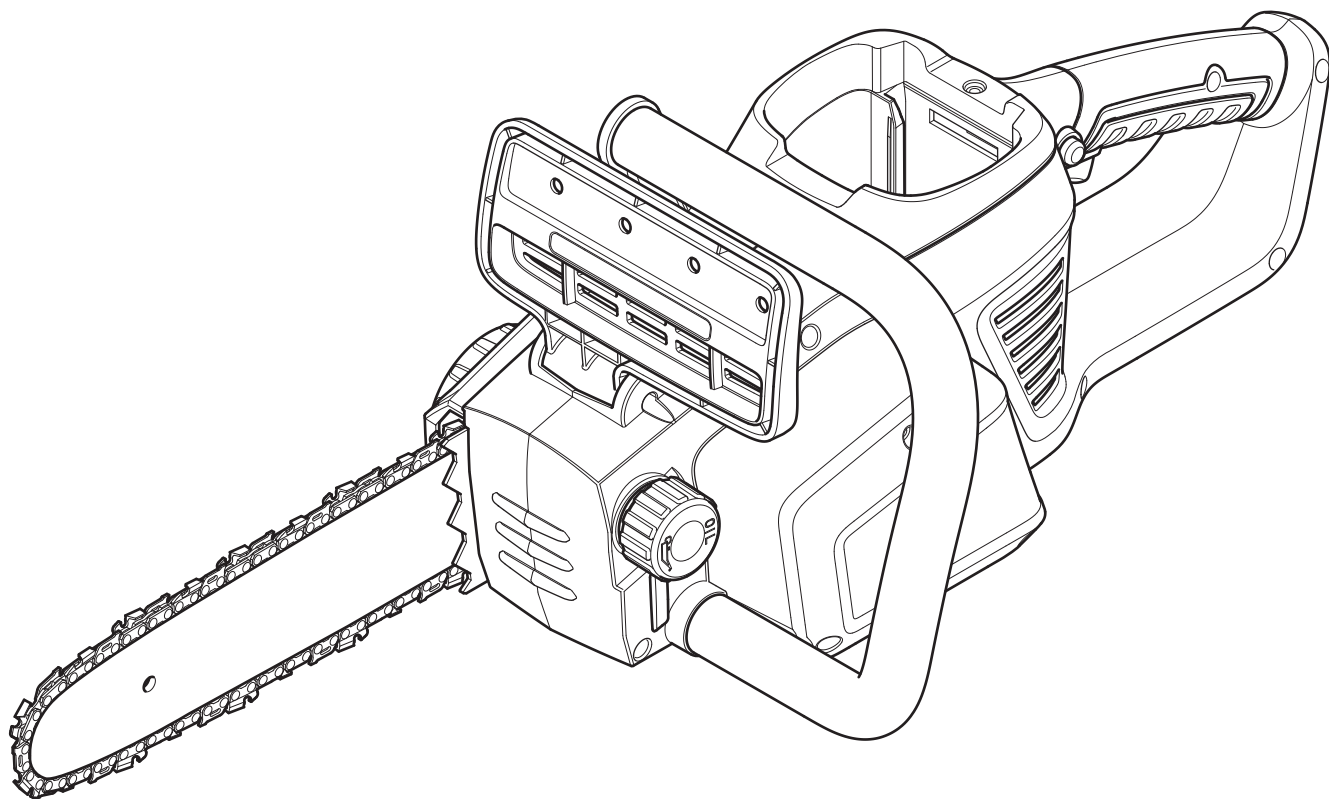
# **REMINGTON®**

## **Operator's Manual**

ORIGINAL INSTRUCTIONS

### **RM4040 / RM4040B**

**Cordless Chain Saw**



### **SAVE THESE INSTRUCTIONS**

**IMPORTANT:** Read this manual thoroughly before using this product. Follow all instructions.

## TABLE OF CONTENTS

Service .....	.2
Safety .....	.2
Know Your Unit .....	.10
Essential Terms and Definitions .....	.12
Specifications .....	.13
Assembly .....	.13
Starting and Stopping .....	.15
Operation .....	.16
Maintenance .....	.22
Cleaning and Storage .....	.27
Troubleshooting .....	.28
Warranty .....	.29

**NOTE:** This operator's manual covers multiple models. Features may vary by model. Not all features in this manual are applicable to all models. The model depicted may differ from yours.

All information, illustrations, and specifications in this manual are based on the latest product information available at the time of printing. We reserve the right to make changes at any time without notice.

The product may vary slightly from the illustrations contained in this manual.

Copyright© 2017 MTD SOUTHWEST INC, All Rights Reserved.

## SERVICE

### DO NOT RETURN THIS UNIT TO THE RETAILER. PROOF OF PURCHASE WILL BE REQUIRED FOR WARRANTY SERVICE.

For assistance regarding the assembly, operation or maintenance of the unit, please call **1-866-206-2707** (in the United States) or **1-877-696-5533** (in Canada). Additional information can be found at [www.remingtonpowertools.com](http://www.remingtonpowertools.com).

Warranty service is available through an authorized service center. To locate a service center in your area, please visit our website or call the number listed above. Service on this unit, both within and after the warranty period, should only be performed by an authorized and approved service center. When servicing, use only identical replacement parts.

## SAFETY

The purpose of safety symbols is to attract your attention to possible dangers. The safety symbols, and their explanations, deserve your careful attention and understanding. The safety warnings do not by themselves eliminate any danger. The instructions or warnings they give are not substitutes for proper accident prevention measures.

### SYMBOL MEANING

 **DANGER:** Signals an EXTREME hazard. Failure to obey a safety **DANGER** symbol **WILL** result in serious injury or death to yourself or to others.

 **WARNING:** Signals a SERIOUS hazard. Failure to obey a safety **WARNING** symbol **CAN** result in serious injury to yourself or to others.

 **CAUTION:** Signals a MODERATE hazard. Failure to obey a safety **CAUTION** symbol **MAY** result in property damage or injury to yourself or to others.

**NOTE:** Advises you of information or instructions vital to the operation or maintenance of the equipment.



### CALIFORNIA PROPOSITION 65

**WARNING:** This product contains a chemical known to the State of California to cause cancer, birth defects or other reproductive harm.

**Read the operator's manual and follow all warnings and safety instructions. Failure to do so can result in serious injury to the operator and/or bystanders.**

# • IMPORTANT SAFETY INSTRUCTIONS •

## GENERAL POWER TOOL SAFETY WARNINGS



**WARNING:** Read all safety warnings and all instructions. Failure to follow the warnings and instructions may result in electric shock, fire and/or serious injury.

Save all warnings and instructions for future reference.

The term “power tool” in the warnings refers to your mains-operated (corded) power tool or battery-operated (cordless) power tool.

### 1) Work Area Safety

- a) **Keep work area clean and well lit.** Cluttered or dark areas invite accidents.
- b) **Do not operate power tools in explosive atmospheres, such as in the presence of flammable liquids, gases or dust.** Power tools create sparks which may ignite the dust or fumes.
- c) **Keep children and bystanders away while operating a power tool.** Distractions can cause you to lose control.

### 2) Electrical Safety

- a) **Power tool plugs must match the outlet. Never modify the plug in any way. Do not use any adapter plugs with earthed (grounded) power tools.** Unmodified plugs and matching outlets will reduce risk of electric shock.
- b) **Avoid body contact with earthed or grounded surfaces such as pipes, radiators, ranges and refrigerators.** There is an increased risk of electric shock if your body is earthed or grounded.
- c) **Do not expose power tools to rain or wet conditions.** Water entering a power tool will increase the risk of electric shock.
- d) **Do not abuse the cord. Never use the cord for carrying, pulling or unplugging the power tool. Keep cord away from heat, oil, sharp edges or moving parts.** Damaged or entangled cords increase the risk of electric shock.
- e) **When operating a power tool outdoors, use an extension cord suitable for outdoor use.** Use of a cord suitable for outdoor use reduces the risk of electric shock.
- f) **If operating a power tool in a damp location is unavoidable, use a ground fault circuit interrupter (GFCI) protected supply.** Use of a GFCI reduces the risk of electric shock.

### 3) Personal Safety

- a) **Stay alert, watch what you are doing and use common sense when operating a power tool. Do not use a power tool while you are tired or under the influence of drugs, alcohol or medication.** A moment of inattention while operating power tools may result in serious personal injury.
- b) **Use personal protective equipment. Always wear eye protection.** Protective equipment such as dust mask, non-skid safety shoes, hard hat, or hearing protection used for appropriate conditions will reduce personal injuries.
- c) **Prevent unintentional starting. Ensure the switch is in the off-position before connecting to power source and/or battery pack, picking up or carrying the tool.** Carrying power tools with your finger on the switch or energizing power tools that have the switch on invites accidents.
- d) **Remove any adjusting key or wrench before turning the power tool on.** A wrench or a key left attached to a rotating part of the power tool may result in personal injury.
- e) **Do not overreach. Keep proper footing and balance at all times.** This enables better control of the power tool in unexpected situations.

- f) **Dress properly. Do not wear loose clothing or jewelry. Keep your hair, clothing and gloves away from moving parts.** Loose clothes, jewelry or long hair can be caught in moving parts.
- g) **If devices are provided for the connection of dust extraction and collection facilities, ensure these are connected and properly used.** Use of dust collection can reduce dust-related hazards.

### 4) Power Tool Use and Care

- a) **Do not force the power tool. Use the correct power tool for your application.** The correct power tool will do the job better and safer at the rate for which it was designed.
- b) **Do not use the power tool if the switch does not turn it on and off.** Any power tool that cannot be controlled with the switch is dangerous and must be repaired.
- c) **Disconnect the plug from the power source and/or the battery pack from the power tool before making any adjustments, changing accessories, or storing power tools.** Such preventive safety measures reduce the risk of starting the power tool accidentally.
- d) **Store idle power tools out of the reach of children and do not allow persons unfamiliar with the power tool or these instructions to operate the power tool.** Power tools are dangerous in the hands of untrained users.
- e) **Maintain power tools. Check for misalignment or binding of moving parts, breakage of parts and any other condition that may affect the power tool's operation. If damaged, have the power tool repaired before use.** Many accidents are caused by poorly maintained power tools.
- f) **Keep cutting tools sharp and clean.** Properly maintained cutting tools with sharp cutting edges are less likely to bind and are easier to control.
- g) **Use the power tool, accessories and tool bits etc. in accordance with these instructions, taking into account the working conditions and the work to be performed.** Use of the power tool for operations different from those intended could result in a hazardous situation.

### 5) Battery tool use and care

- a) **Recharge only with the charger specified by the manufacturer.** A charger that is suitable for one type of battery pack may create a risk of fire when used with another battery pack.
- b) **Use power tools only with specifically designated battery packs.** Use of any other battery packs may create a risk of injury and fire.
- c) **When battery pack is not in use, keep it away from other metal objects, like paper clips, coins, keys, nails, screws or other small metal objects, that can make a connection from one terminal to another.** Shorting the battery terminals together may cause burns or a fire.
- d) **Under abusive conditions, liquid may be ejected from the battery; avoid contact. If contact accidentally occurs, flush with water. If liquid contacts eyes, additionally seek medical help.** Liquid ejected from the battery may cause irritation or burns.

### 6) Service

- a) **Have your power tool serviced by a qualified repair person using only identical replacement parts.** This will ensure that the safety of the power tool is maintained.

### Chain saw safety warnings:

- **Keep all parts of the body away from the saw chain when the chain saw is operating. Before you start the chain saw, make sure the saw chain is not contacting anything.** A moment of inattention while operating chain saws may cause entanglement of your clothing or body with the saw chain.
- **Always hold the chain saw with your right hand on the rear handle and your left hand on the front handle.** Holding the chain saw with a reversed hand configuration increases the risk of personal injury and should never be done.
- **Hold the power tool by insulated gripping surfaces only, because the saw chain may contact hidden wiring.** Saw chains contacting a "live" wire may make exposed metal parts of the power tool "live" and could give the operator an electric shock.
- **Wear safety glasses and hearing protection. Further protective equipment for head, hands, legs and feet is recommended.** Adequate protective clothing will reduce personal injury by flying debris or accidental contact with the saw chain.
- **Do not operate a chain saw in a tree.** Operation of a chain saw while up in a tree may result in personal injury.
- **Always keep proper footing and operate the chain saw only when standing on fixed, secure and level surface.** Slippery or unstable surfaces such as ladders may cause a loss of balance or control of the chain saw.
- **When cutting a limb that is under tension be alert for spring back.** When the tension in the wood fibers is released the spring loaded limb may strike the operator and/or throw the chain saw out of control.
- **Use extreme caution when cutting brush and saplings.** The slender material may catch the saw chain and be whipped toward you or pull you off balance.
- **Carry the chain saw by the front handle with the chain saw switched off and away from your body. When transporting or storing the chain saw always fit the guide bar cover.** Proper handling of the chain saw will reduce the likelihood of accidental contact with the moving saw chain.
- **Follow instructions for lubricating, chain tensioning and changing accessories.** Improperly tensioned or lubricated chain may either break or increase the chance of kickback.
- **Keep handles dry, clean, and free from oil and grease.** Greasy, oily handles are slippery causing loss of control.
- **Cut wood only. Do not use chain saw for purposes not intended. For example: do not use chain saw for cutting plastic, masonry or non-wood building materials.** Use of the chain saw for operations different than intended could result in a hazardous situation.

### Causes and operator prevention of kickback:

Kickback may occur when the nose or tip of the guide bar touches an object, or when the wood closes in and pinches the saw chain in the cut.

Tip contact in some cases may cause a sudden reverse reaction, kicking the guide bar up and back towards the operator.

Pinching the saw chain along the top of the guide bar may push the guide bar rapidly back towards the operator.

Either of these reactions may cause you to lose control of the saw which could result in serious personal injury. Do not rely exclusively upon the safety devices built into your saw. As a chain saw user, you should take several steps to keep your cutting jobs free from accident or injury.

Kickback is the result of tool misuse and/or incorrect operating procedures or conditions and can be avoided by taking proper precautions as give below:

- **Maintain a firm grip, with thumbs and fingers encircling the chain saw handles, with both hands on the saw and position your body and arm to allow you to resist kickback forces.** Kickback forces can be controlled by the operator, if proper precautions are taken. Do not let go of the chain saw.
- **Do not overreach and do not cut above shoulder height.** This helps prevent unintended tip contact and enables better control of the chain saw in unexpected situations.
- **Only use replacement bars and chains specified by the manufacturer.** Incorrect replacement bars and chains may cause chain breakage and/or kickback.
- **Follow the manufacturer's sharpening and maintenance instructions for the saw chain.** Decreasing the depth gauge height can lead to increased kickback.



**WARNING:** Read all safety warnings and all instructions. Failure to follow the warnings and instructions may result in electric shock, fire and/or serious injury.

### READ ALL INSTRUCTIONS BEFORE OPERATING

1. **SAVE THESE INSTRUCTIONS** - This manual contains important safety and operating instructions.
2. Before using this product, read all instructions and cautionary markings on the battery, battery charger, and the unit(s) powered by the battery.
3. Do not handle the charger, including the charger plug and charger terminals, with wet hands.
4. Do not charge the unit outdoors.



**WARNING:** Only use RM4130, RM4140 or RM4150 batteries with this unit. **DO NOT** use any other type of battery, attachment or accessory with this unit. Other types of batteries, attachments or accessories could lead to serious injury, property damage or damage to the unit.  
**NOTE:** Although this unit can use the RM4130 battery, it is not recommended. For best performance, always use an RM4140 or RM4150 battery with this unit.



**WARNING:** Only charge RM4130, RM4140 or RM4150 batteries with an RM4110 battery charger. **DO NOT** attempt to use any other battery charger to charge RM4130, RM4140 or RM4150 batteries. Other types of battery chargers may cause the batteries to burst, resulting in fire, personal injury or property damage.



**WARNING:** Only use an RM4110 battery charger to charge RM4130, RM4140 or RM4150 batteries. **DO NOT** attempt to charge any other batteries with an RM4110 battery charger. Other types of batteries may burst, causing fire, personal injury or property damage.

## GENERAL SAFETY WARNINGS

- Read the instructions carefully. Be familiar with the controls and proper use of the unit. Know how to stop the unit and disengage the controls quickly.
- Stay alert. Do not operate this unit when tired, ill or under the influence of alcohol, drugs or medication.
- Never allow children to operate the unit. Teens must be trained, accompanied and supervised by an adult. Never allow adults to operate the unit without proper instruction.
- All guards and safety attachments must be installed properly before operating the unit.
- Inspect the unit before use. Check for damaged parts. Make sure all parts operate properly. Make sure all fasteners are in place and secure. Make sure all moving parts are properly aligned and are not bound. Replace parts that are cracked, chipped, or damaged in any way. Have all damaged or improperly working parts repaired or replaced by an authorized service center. Do not operate the unit with loose or damaged parts.
- Be aware of risk of injury to the head, hands and feet.
- Carefully inspect the area before starting the unit. Remove rocks, broken glass, nails, wire, string and other objects that may be thrown or become entangled with the unit.
- Clear the area of children, bystanders and pets; keep them outside a 50-foot (15 m) radius, at a minimum. Even then, they are still at risk from thrown objects. Encourage bystanders to wear eye protection. If you are approached, stop the unit immediately.
- This unit is intended for occasional, household use only.
- Do not allow the unit to be used as a toy.

## SAFETY WARNINGS FOR ELECTRIC UNITS

### General Electric Safety

- Do not expose the unit to rain or wet conditions. Store the unit indoors.
- Do not handle the unit with wet hands.
- Avoid dangerous environments. Do not operate the unit in the rain, in wet conditions or on wet surfaces. Moisture is a shock hazard.
- To reduce the risk of electric shock, avoid body contact with grounded conductors, such as metal pipes or wire fences.
- Do not operate the unit in explosive atmospheres, such as in the presence of flammable liquids, gases or dust.

### Battery Charger Safety

- Follow all charging instructions. Do not charge the battery outside the temperature range specified in these instructions. Improperly charging the battery or charging the battery outside of the specified temperature range may damage the battery and increase the risk of fire.
- A nameplate on the unit indicates the voltage used. Never connect the unit to an AC voltage that differs from this voltage.
- An extension cord should not be used unless absolutely necessary. Use of an improper extension cord could result in a risk of fire, electric shock or electrocution.
- Do not use multiple extension cords.
- Make sure the extension cord is heavy enough to carry the current drawn by the unit. An undersized extension cord will cause a drop in line voltage, resulting in a loss of power and overheating. If in doubt, use the next heavier gauge cord. The smaller the gauge number, the heavier the cord.

## MINIMUM WIRE SIZE FOR EXTENSION CORDS FOR 120 VOLT APPLIANCES USING 0-6 AMPS

Cord Length (ft.)	25	50	100	150
Wire Size (AWG)	16	16	16	14

- Make sure the cords are in good condition. Inspect the power cord and extension cord periodically. Look closely for deterioration, cuts or cracks in the insulation. If a cord is damaged in any manner while plugged in, disconnect the cord from both the outlet and the unit. Do not use a damaged cord. Damaged cords should be repaired or replaced.
- Do not abuse cords. Never pull or carry the unit by a cord. Keep cords away from heat, oil, water, sharp edges, and moving objects. Always grasp the plug when disconnecting a cord.
- Never modify a plug, cord or outlet in any way.
- Ground Fault Circuit Interrupter (GFCI) protection should be provided on the circuit(s) or outlet(s) to be used with this unit. For an extra measure of safety, use receptacles with built-in GFCI protection.
- Do not place the battery charger where cords might be stepped on, tripped over or subjected to damage.
- Do not charge batteries in the rain or in wet conditions. Keep the battery charger in a cool and dry area.
- Keep the battery charger away from all liquid.
- Do not allow small metal items or material such as steel wool, aluminum foil or other foreign particles into the charger port.
- Do not probe the charger with conductive material. There is a risk of electric shock.
- Do not cover the battery charger. The battery charger may overheat.
- Do not allow the battery or battery charger to overheat. If they are warm, allow them to cool down. Only charge batteries in temperatures between 32° and 104° F (0° and 40° C).
- Always unplug the battery charger before cleaning it. Always unplug the battery charger when it is not in use.

### Battery Safety

- Do not expose the battery to fire or to temperatures over 176° F (80° C). Doing so could cause an explosion.
- Handle batteries with care. Do not short the battery with conductive materials, such as rings, bracelets, keys, etc. Shorting the battery may cause personal injury, damage to the battery or a fire.
- When the battery is not in use, keep it away from small metal objects, such as paper clips, coins, nails, etc. These items could connect one terminal to another and short the battery.
- Do not attempt to charge a cracked or damaged battery.
- Do not use a damaged or modified battery. Doing so could result in a fire, explosion or personal injury.



**WARNING:** The battery may present a risk of fire or chemical burn if mistreated. Do not disassemble, overheat or incinerate the battery. The battery may develop a small leak under extreme usage or temperature conditions.


#### If battery fluid contacts skin:

- Immediately wash the area with soap and water.
- Neutralize the battery fluid with a mild acid (lemon juice, vinegar, etc.).
- Seek immediate medical attention.

#### If battery fluid gets in the eyes:

- Immediately flush the eyes with clean water for at least 15 minutes.
- Seek immediate medical attention.

## DISPOSING OF DAMAGED OR WORN-OUT BATTERIES

	<b>WARNING:</b> The following toxic and corrosive material is used in this unit's battery: LITHIUM-ION, a toxic material.
--	--

	<b>WARNING:</b> To prevent contamination of the environment, contact your local waste disposal agency for specific instructions before disposing of damaged or worn-out lithium-ion batteries. Take batteries to a local recycling and/or disposal center, certified for lithium-ion battery disposal.
--	--

	<b>WARNING:</b> Do not use broken or cracked batteries, even if there isn't leakage. Replace damaged or worn-out batteries with new batteries. <b>DO NOT ATTEMPT TO REPAIR BATTERIES!</b> Repair attempts may result in severe personal injury, due to explosion or electrical shock.
--	---

To avoid personal injury and damage to the environment:

- Do not attempt to remove or destroy any of the battery components. Do not open or mutilate the battery. If a leak develops, released electrolytes are corrosive and toxic. Do not get the solution in your eyes or on your skin, and do not swallow it.
- Do not dispose of the battery in the regular household trash.
- Do not dispose of the battery in a fire. The cell may explode.
- Do not dispose of the battery where it will become part of any waste landfill or municipal solid waste stream.
- Cover the battery terminals with heavy-duty adhesive tape.
- Dispose of the battery according to local, state and federal regulations.
- Dispose of the battery promptly.



### About Call2Recycle Battery Seals

Call2Recycle's industry steward program helps battery and product manufacturers fulfill recycling requirements in the U.S. and Canada, including compliance with extensive state, provincial and federal regulations, such as the Mercury-Containing and Rechargeable Battery Act (The Battery Act). Call2Recycle® Licensees/Industry

Stewards, participating battery and product manufacturers and marketers, purchase the rights to imprint the Call2Recycle Battery Seals on their rechargeable batteries and products. When you see the Call2Recycle Battery Seal, you can feel confident knowing that your battery or product can be safely and responsibly recycled.

### About Call2Recycle

Since 1994, Call2Recycle has diverted more than 75 million pounds of rechargeable batteries from local landfills and established a network of 30,000 recycling drop-off locations. More than 200 battery and/or product manufacturers, Call2Recycle Industry Stewards, have united to ensure that batteries are responsibly recycled when they reach their end of life and fund the program that is operated by Call2Recycle, Inc., a 501(c)4 nonprofit public service organization.

To locate the nearest recycling center, please call **1-800-822-8837**.


## FCC STATEMENT

	<b>CAUTION:</b> Changes or modifications not expressly approved by the party responsible for compliance could void the user's authority to operate the equipment.
---	---

**NOTE:** This equipment has been tested and found to comply with the limits for a Class B digital device, pursuant to part 15 of the FCC Rules. These limits are designed to provide reasonable protection against harmful interference in a residential installation. This equipment generates, uses and can radiate radio frequency energy and, if not installed and used in accordance with the instructions, may cause harmful interference to radio communications. However, there is no guarantee that interference will not occur in a particular installation. If this equipment does cause harmful interference to radio or television reception, which can be determined by turning the equipment off and on, the user is encouraged to try to correct the interference by one or more of the following measures:

- Reorient or relocate the receiving antenna.
- Increase the separation between the equipment and receiver.
- Connect the equipment into an outlet on a circuit different from that to which the receiver is connected.
- Consult the dealer or an experienced radio/TV technician for help.

## WHILE OPERATING

	<b>WARNING:</b> To reduce the risk of electric shock, do not expose the unit to rain or wet conditions. Store the unit indoors.
--	---

- Wear safety glasses or goggles that meet current ANSI / ISEA Z87.1 standards and are marked as such. Wear ear/hearing protection when operating this unit. Wear a face mask or dust mask if the operation is dusty. Use a hard hat or other type of safety helmet. Falling debris can result in serious personal injury.
- Wear safety boots and protective gloves. Wear heavy, snug-fitting clothes, including long pants and a long-sleeve shirt. Do not wear loose clothing, jewelry, short pants, sandals or go barefoot. Secure hair above shoulder level.
- Use the unit only in daylight or good artificial light.
- Avoid starting the unit unintentionally. The operator and unit must be in a stable position while starting. Refer to *Starting and Stopping*.
- Use the right tool. Only use this tool for its intended purpose: to cut wood. Do not use the unit for cutting plastic, masonry or other non-wood building materials. Only use the unit as described in this manual.
- Keep hair, face, hands, feet and all other body parts away from the saw chain when the unit is running. Do not touch or try to stop moving parts.
- Do not operate the unit faster than the speed needed to do the job. Do not run the unit at high speed when not in use.
- Do not force the unit, especially near the end of a cut. It will do a better, safer job when used at the intended rate.
- Always turn the unit off when operation is delayed or when carrying the unit from one location to another.
- Before setting the unit down, always turn the unit off and wait for all moving parts to come to a complete stop.


- Do not operate a unit that is damaged, improperly adjusted or not completely and securely assembled. Make sure moving parts stop when the unit is turned off. Do not use the unit if it does not turn on and off properly. Have defective parts replaced by an authorized service center.
- Avoid starting the unit unintentionally. Make sure the trigger lockout is in the locked position before installing or removing the battery. Never carry the unit with fingers on the trigger.
- Remove the battery from the unit when it is not in use.
- Do not use the unit if the trigger and trigger lockout do not start and stop the unit.
- If the unit strikes or becomes entangled with a foreign object, stop the motor immediately, remove the battery and allow the unit to cool. Then, check for damage. If damaged, do not restart or operate the unit until it is repaired. Do not operate the unit with loose or damaged parts.
- Use only original equipment manufacturer (OEM) replacement parts and accessories for this unit. These are available from your authorized service center. Use of any other parts or accessories could lead to serious injury to the user, or damage to the unit, and void the warranty.
- Keep the unit clean. Stop the motor, remove the battery and allow the unit to cool. Carefully remove vegetation and other debris that could block moving parts.
- If the unit starts to vibrate abnormally, stop the motor, remove the battery and allow the unit to cool. Inspect the unit for the cause of the vibration. Vibration is generally an indicator of trouble.

## CHAIN SAW SAFETY

- Make sure the saw chain is not in contact with anything before starting the unit.
- When carrying the unit, hold it away from the body, with the guide bar positioned to the rear. Cover the guide bar and saw chain with the scabbard when carrying the unit. Hold the unit by the front handle.
- Keep the work area clean. Cluttered areas invite injuries. Do not start cutting until the work area is clear and free from obstructions. Make sure there is secure footing and a planned retreat path from falling trees or branches.
- Do not cut near electrical cables or power lines. Keep at least 50 feet (15 m) away from all power lines.
- For safer, more effective performance, make sure the guide bar and chain are properly cleaned, lubricated, tightened and sharpened. Check the guide bar and chain at frequent intervals for proper adjustment.
- When cutting a limb that is under tension, use extreme caution. When the tension is released, the limb could spring back and strike the operator, causing severe injury or death.
- Use extreme caution when cutting small-sized brush and saplings, as slender material may catch the saw chain and be whipped toward the operator or pull the operator off balance.
- This saw is classified by UL as a Class 2C saw in accordance with CSA Z62.1-03. It is intended for infrequent use by homeowners, cottagers and campers, and for general applications such as clearing, pruning, cutting firewood, etc. It is not intended for prolonged use. If the intended use involves prolonged periods of operation, this may cause circulatory problems in the user's hands due to vibration. Take frequent breaks and adjust your working position, as needed.
- Do not operate the unit in a tree or on a ladder unless specifically trained to do so.
- Do not use the unit in the presence of flammable liquids or gases.
- Do not attempt operations beyond the operator's capacity or experience.

- Always use the scabbard on the guide bar and saw chain during transportation and storage.
- Do not remove cut material, or hold material to be cut, when the unit is running. Always turn the unit off, wait for the saw chain to come to a complete stop, and remove the battery before clearing jammed material. A moment of inattention can result in serious personal injury.

## KICKBACK SAFETY

	<p><b>WARNING:</b> Kickback may occur when the nose or tip of the guide bar touches an object, or when the wood closes in and pinches the saw chain in the cut. In some cases, tip contact may cause a lightning-fast reverse action, kicking the guide bar rapidly back towards the operator. Pinching the saw chain along the top of the guide bar may push the guide bar rapidly back towards the operator. Either of these reactions may cause a loss of control over the saw, which could result in serious injury to the user. Contact with foreign objects within the wood can also induce a loss of chain saw control.</p>
---	--

### Understanding Kickback

A basic understanding of kickback can help reduce or eliminate the element of surprise and the chance of kickback-related injury. Sudden surprise contributes to accidents.

- **Rotational Kickback** can happen when the upper tip of the guide bar contacts an object while the chain is moving (Fig. A). This can cause the chain to dig into the object and momentarily stop moving. The guide bar is then kicked up and back toward the operator in a lightning-fast reverse reaction.
- **Linear Kickback** can happen when the wood on either side of a cut closes in and pinches the moving saw chain along the top of the guide bar (Fig. B). This can cause the chain to instantly stop. The chain force is then reversed, causing the saw to move in the opposite direction, sending the saw straight back toward the operator.
- **Pull-In** can happen when the moving chain on the bottom of the guide bar hits a foreign object inside the wood. This can cause the chain to suddenly stop. The saw is then pulled forward and away from the operator, which could potentially result in the loss of control of the saw.

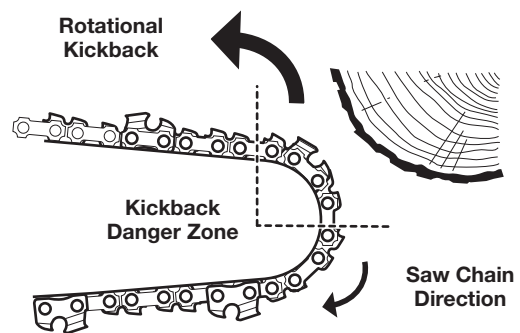


Fig. A

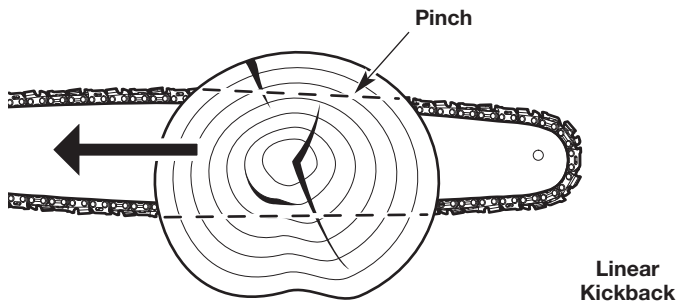


Fig. B

- A low-kickback saw chain is a chain that has met the kickback performance requirements of ANSI/OPEI B175.1-2012 when tested according to the provisions specified in ANSI/OPEI B175.1-2012. A low-kickback saw chain is a chain that is also in accordance with CSA Z62.3. Do not use a replacement saw chain unless it has met these requirements for this specific model or has been designated as a low-kickback replacement saw chain in accordance with ANSI/OPEI B175.1-2012. As saw chains are sharpened, some of the low-kickback qualities are lost and extra caution should be used.
- Do not install a bow guide on this unit. Bow guides have larger kickback zones, which increase the chance of kickback and serious injury. This increase is not significantly reduced by using a low-kickback saw chain. Using a bow guide on this unit is extremely dangerous.

### Kickback Safety Precautions

Take the following steps to reduce the chance of accident or injury:

- Do not rely exclusively upon the safety devices built into the unit.
- Do not overreach. Always keep proper footing and balance. Take extra care when working on stairs, steep slopes or inclines. Do not cut above shoulder height.
- Do not make cuts with the tip of the guide bar.
- Make sure the area of operation is free from obstructions. Do not let the tip of the guide bar contact any object, such as a log, branch, the ground or other obstruction.
- Always inspect the wood before cutting. Foreign objects could damage the unit or cause serious personal injury. Never cut through nails, metal rods, railroad ties or pallets.
- Do not operate the unit with one hand! Serious injury to the operator, helpers or bystanders may result from one-handed operation. This unit is intended for two-handed use. Always grip the unit firmly with both hands when the unit is running. Do not let go. A firm grip will help maintain control of the unit and reduce the chance of kickback. Hold the front handle with the left hand and the rear handle with the right hand. Firmly encircle the handles with the thumbs and fingers.
- Stand slightly to the left of the unit to avoid being in the direct line of the saw chain.
- Never start the saw when the guide bar is inside an existing cut. Be extremely careful when re-entering a cut.
- Always begin a cut with the unit running at full speed. Maintain a steady cutting speed. Slower speeds increase the chance of kickback.
- Keep the saw housing pressed firmly against the wood.
- Do not cut more than one log or branch at a time.
- Do not twist the unit when removing the guide bar from a cut.
- Watch out for shifting objects (logs, branches, etc.) that might pinch or fall onto the saw chain during operation.
- Only use wedges made of wood or plastic. Do not use metal to hold a cut open.
- Follow the manufacturer's sharpening and maintenance instructions for the saw chain.
- Only use replacement bars and chains specified by the manufacturer or the equivalent. These are available from authorized service centers. Use of any unauthorized parts or accessories could lead to serious injury to the operator or damage to the unit and will void the warranty.
- Use devices that reduce the risks associated with kickback, such as low-kickback chains, guide bar nose guards, chain brakes and low-kickback guide bars. There are no other replacement components for achieving kickback protection in accordance with CSA Z62.3.

### OTHER SAFETY WARNINGS






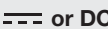
- Maintain the unit with care. Follow all maintenance instructions in this manual.
- Do not perform maintenance procedures other than those described in this manual. Do not attempt to repair the unit; there are no user-serviceable parts inside. All service, other than the maintenance procedures described in this manual, should be performed by an authorized service center.
- Do not use the unit if it is not working correctly, has been dropped, damaged, left outdoors or dropped into water. Have the unit serviced by an authorized service center.
- Never remove, modify or make inoperative any safety device furnished with the unit.
- Before inspecting, maintaining, cleaning, storing, transporting or replacing any parts on the unit:
  1. Stop the motor. Refer to *Starting and Stopping*.
  2. Wait for all moving parts to stop.
  3. Remove the battery.
  4. Allow the unit to cool.
- Secure the unit while transporting.
- Store the unit in a dry place, secured or at a height to prevent unauthorized use or damage. Keep the unit out of the reach of children.
- Never douse or squirt the unit with water or any other liquid. Avoid getting water in the motor and electrical connections. Keep handles dry and clean (free from debris, oil and grease). Clean the unit after each use. Refer to *Cleaning and Storage*. Do not use solvents or strong detergents.
- Keep these instructions. Refer to them often and use them to instruct other users. If you loan this unit to others, also loan them these instructions.








## SAVE THESE INSTRUCTIONS



• SAFETY & INTERNATIONAL SYMBOLS •

This operator's manual describes safety and international symbols and pictographs that may appear on this product. Read the operator's manual for complete safety, assembly, operating and maintenance and repair information.

SYMBOL	MEANING
	<ul style="list-style-type: none"> <li>• <b>SAFETY ALERT SYMBOL</b> Indicates danger, warning or caution. May be used in conjunction with other symbols or pictographs.</li> </ul>
	<ul style="list-style-type: none"> <li>• <b>READ OPERATOR'S MANUAL</b> <b>WARNING:</b> Read the operator's manual(s) and follow all warnings and safety instructions. Failure to do so can result in serious injury to the operator and/or bystanders.</li> </ul>
	<ul style="list-style-type: none"> <li>• <b>WEAR HEAD, EYE AND HEARING PROTECTION</b> <b>WARNING:</b> Thrown objects and loud noise can cause severe eye injury and hearing loss. Wear eye protection meeting current ANSI / ISEA Z87.1 standards and ear protection when operating this unit. Wear head protection when operating this unit; falling objects can cause severe head injury. Use a full face shield when needed.</li> </ul>
	<ul style="list-style-type: none"> <li>• <b>WEAR FOOT PROTECTION</b> Always wear heavy-duty, non-slip footwear when operating this unit.</li> </ul>
	<ul style="list-style-type: none"> <li>• <b>WEAR HAND PROTECTION</b> Always wear heavy-duty, non-slip gloves when handling this unit.</li> </ul>
<b>V</b>	• <b>VOLTS</b> - Voltage
<b>A</b>	• <b>AMPERES</b> - Current
<b>Hz</b>	• <b>HERTZ</b> - Frequency (cycles per second)
<b>AC</b>	• <b>ALTERNATING CURRENT</b> - Type of current
 or DC	• <b>DIRECT CURRENT</b> - Type of current
<b>Ah</b>	• <b>AMPERE-HOUR</b> - Measure of charge capacity
<b>Wh</b>	• <b>WATT-HOUR</b> - Measure of energy

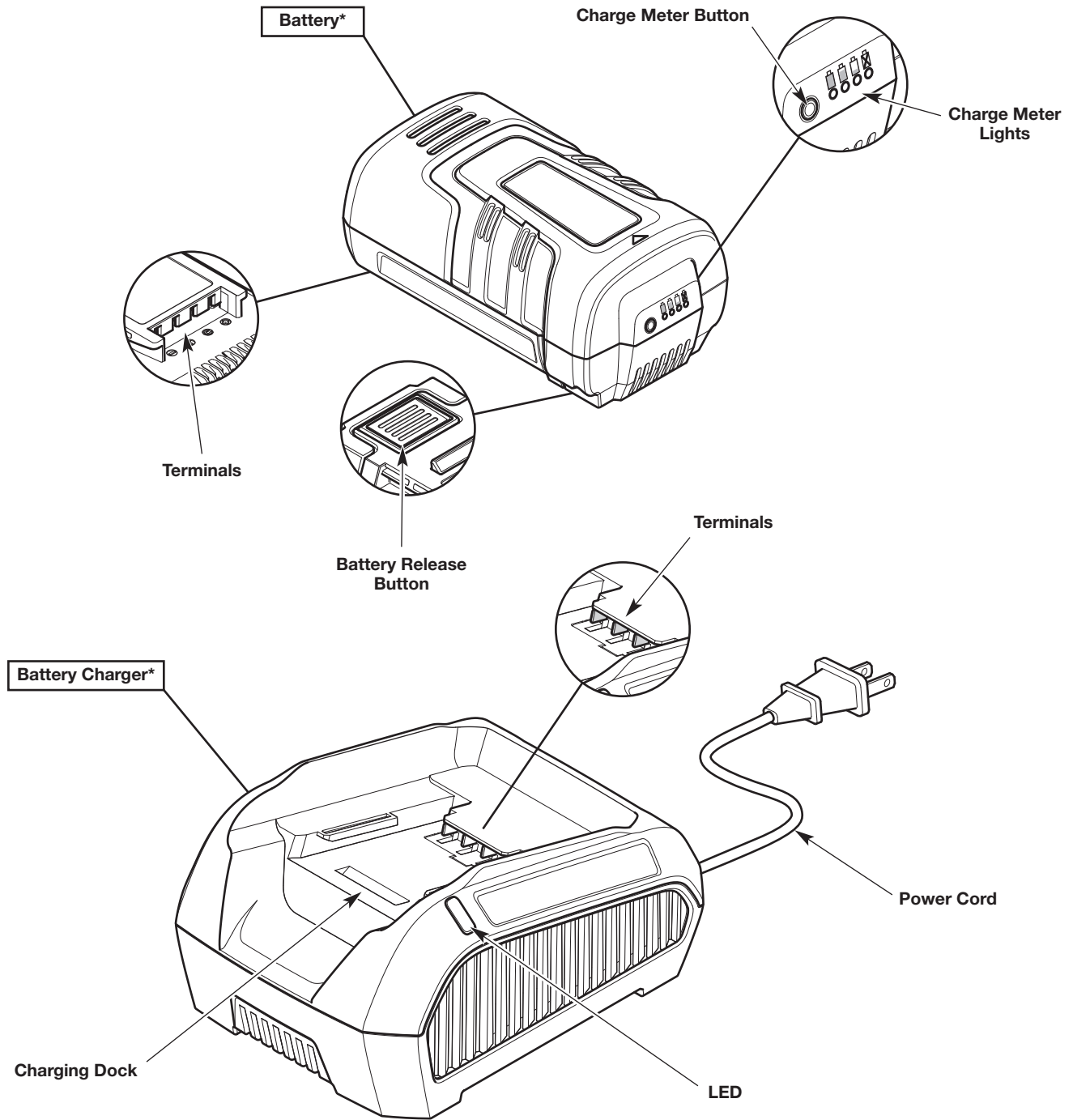
SYMBOL	MEANING
	<ul style="list-style-type: none"> <li>• <b>USE BOTH HANDS</b> <b>WARNING:</b> Always use both hands while operating the unit. Never use only one hand to operate the unit.</li> </ul>
	<ul style="list-style-type: none"> <li>• <b>KICKBACK</b> <b>WARNING:</b> Contact of the guide bar tip with any object should be avoided. Tip contact may cause the guide bar to move suddenly upward and backward, which may cause serious injury.</li> </ul>
	<ul style="list-style-type: none"> <li>• <b>KEEP BYSTANDERS AWAY</b> <b>WARNING:</b> Keep all bystanders, especially children and pets, at least 50 feet (15 m) from the operating area.  <b>WARNING:</b> Always keep a clear work area and retreat path. Be aware of the location of limbs/branches to avoid falling limbs and debris.</li> </ul>
	<ul style="list-style-type: none"> <li>• <b>CHAIN OIL</b> Make sure the chain oil reservoir is full before operation. Check the oil level constantly so that it does not drop below half full. The saw chain must be continuously coated with oil to function properly.</li> </ul>
	<ul style="list-style-type: none"> <li>• <b>CHAIN DIRECTION</b> Make sure the saw chain faces the direction shown when installed on the guide bar. Refer to <i>Installing the Guide Bar and Saw Chain</i> in the <i>Maintenance</i> section.</li> </ul>
	<ul style="list-style-type: none"> <li>• <b>DO NOT USE IN THE RAIN</b> <b>WARNING:</b> Avoid dangerous environments. Never operate the unit in the rain or in damp or wet conditions. Moisture is a shock hazard.</li> </ul>
	<ul style="list-style-type: none"> <li>• <b>DO NOT DISPOSE IN HOUSEHOLD TRASH</b> Recycle the battery or dispose of the battery according to local, state and federal regulations.</li> </ul>

# KNOW YOUR UNIT

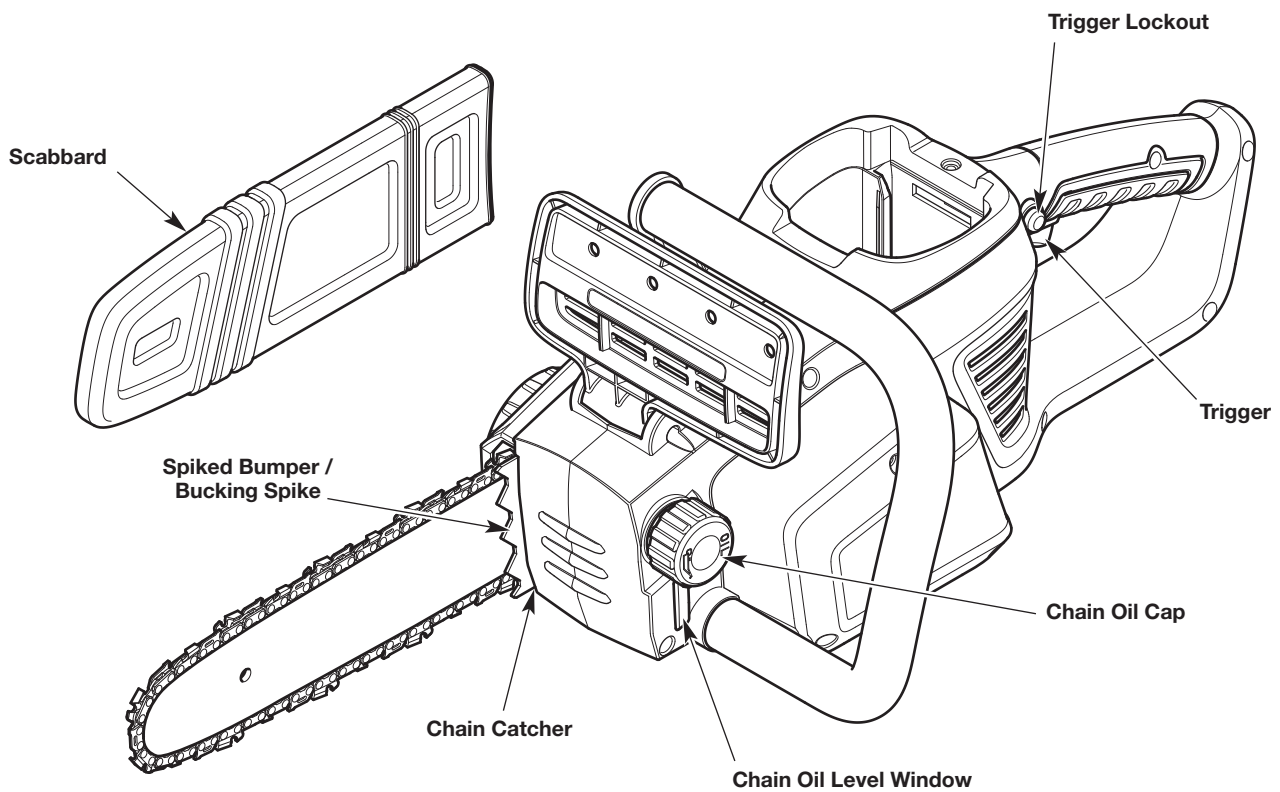
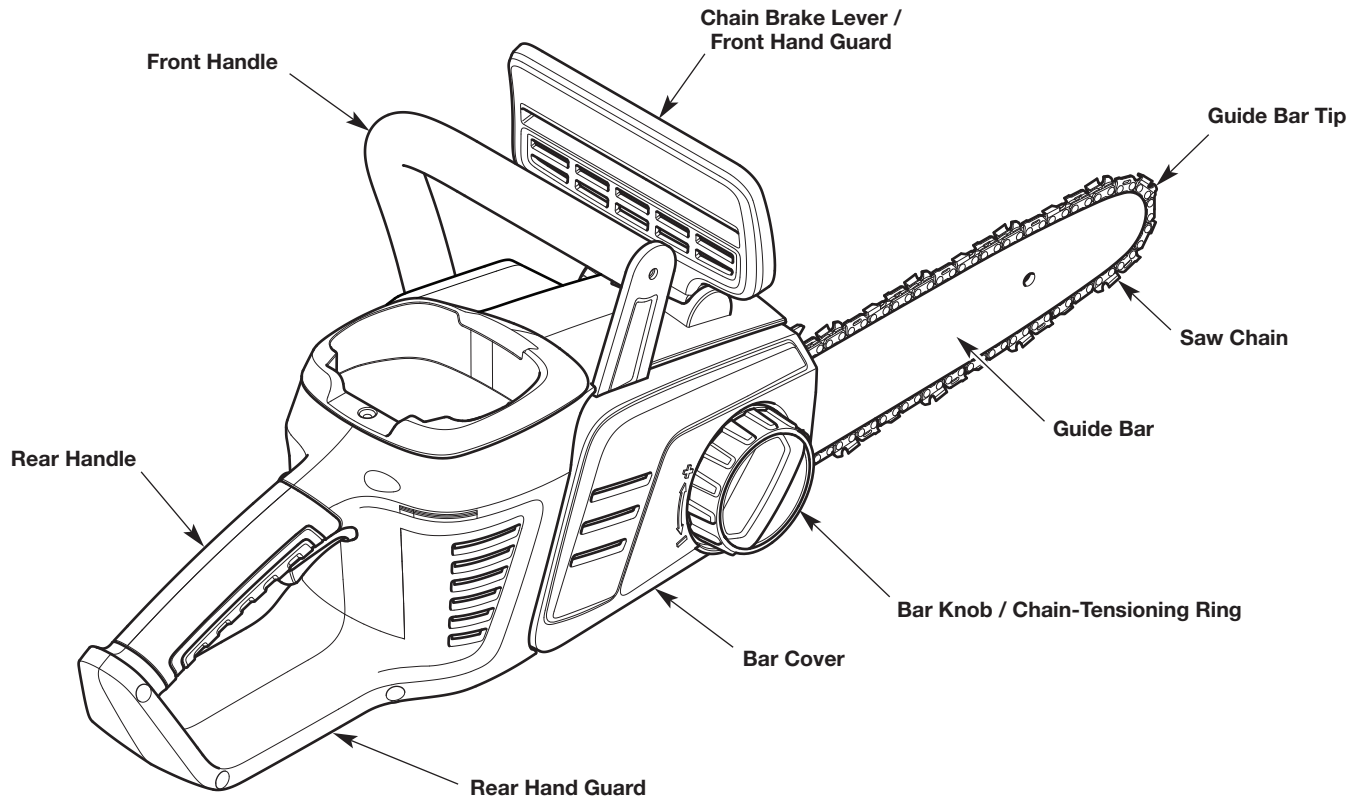
## APPLICATIONS

- Felling and limbing trees
- Cutting logs (bucking)
- Pruning trees

NO ASSEMBLY TOOLS REQUIRED



\* The battery and battery charger are not included with model RM4040B.



## ESSENTIAL TERMS AND DEFINITIONS

- **CHAIN SAW** - A tool designed to cut wood with a saw chain. A chain saw is an integrated unit comprised of a motor, saw chain, guide bar, and handles that are designed to be held by two hands during operation.
- **CHAIN SAW POWERHEAD** - A chain saw without the saw chain and guide bar.
- **DRIVE SPROCKET** - A toothed wheel that drives the saw chain.
- **FRONT HANDLE** - A support handle located toward the front of the chain saw.
- **REAR HANDLE** - A support handle located toward the rear of the chain saw.
- **FRONT HAND GUARD / CHAIN BRAKE LEVER** - A structural barrier between the front handle and the guide bar. The front hand guard helps protect the operator's left hand if it slips off the front handle while the unit is running. The front hand guard is also used to activate the chain brake.
- **CHAIN BRAKE** - A device used to stop the chain saw. The chain brake helps protect the user by stopping the saw chain in milliseconds. The chain brake can be activated intentionally by pushing the front hand guard / chain brake lever forward. It can also be activated if the operator's hand strikes the front hand guard / chain brake lever during kickback.
- **REAR HAND GUARD** - A structural barrier below the rear handle. The rear hand guard helps protect the operator's right hand if the saw chain breaks or disengages from the guide bar during operation.
- **GUIDE BAR** - A solid railed structure that supports and guides the saw chain.
- **GUIDE BAR TIP** - The tip or end of the guide bar.
- **REDUCED-KICKBACK GUIDE BAR** - A guide bar that has been demonstrated to reduce kickback significantly.
- **SAW CHAIN** - A loop of chain with teeth designed to cut wood, which is driven by the motor and is supported by the guide bar. The saw chain is composed of drive links, cutters and side links, held together by rivets.
- **LOW-KICKBACK SAW CHAIN** - A saw chain that complies with the kickback performance requirements of ANSI/OPEI B175.1-2012 when tested on a representative sample of chain saws. Low-kickback saw chain significantly reduces the chance of kickback and the intensity of kickback, due to specially designed depth gauges and guard links.
- **REPLACEMENT SAW CHAIN** - A saw chain that complies with the kickback performance requirements of ANSI/OPEI B175.1-2012 when tested with specific chain saws. It may not meet the ANSI/OPEI performance standards when used with other chain saws.
- **SPIKED BUMPER** - The pointed tooth (or teeth), at the front of the chain saw, used during felling and bucking to help pivot the saw and maintain a stable position while cutting.
- **CHAIN CATCHER** - A device designed to intercept a whipping chain. The chain catcher reduces the chance of injury if the saw chain breaks or disengages from the guide bar during operation.
- **OILER CONTROL** - A system for oiling the saw chain and guide bar.
- **SWITCH** - A device that, when operated, will complete or interrupt an electrical power circuit to the motor.
- **SWITCH LINKAGE** - A mechanism that transfers motion from the trigger to the switch.
- **TRIGGER** - A device that, when operated in conjunction with the switch lockout (trigger lockout), turns the motor on. Releasing the trigger immediately turns the motor off. The saw chain will then coast to a stop.
- **SWITCH LOCKOUT (TRIGGER LOCKOUT)** - A device that prevents the unit from starting accidentally. The trigger cannot be squeezed unless the switch lockout (trigger lockout) is manually engaged.
- **BATTERY RELEASE BUTTON** - A device used to disconnect the battery from the battery charger and the unit.
- **KICKBACK** - A sudden backward and/or upward motion of the guide bar and saw chain. Kickback can occur if the upper portion of the guide bar tip touches an object while the saw chain is spinning (rotational kickback). Kickback can also occur if the wood closes in and pinches the saw chain inside the cut (linear kickback).
- **ROTATIONAL KICKBACK** - A sudden backward and upward motion of the guide bar and saw chain. Rotational kickback can occur if the upper portion of the guide bar tip touches an object while the saw chain is spinning. The guide bar and saw chain are then kicked up and back toward the operator in a lightning-fast reverse reaction.
- **LINEAR KICKBACK (PINCH KICKBACK)** - A sudden backward motion of the guide bar and saw chain. Linear (pinch) kickback can occur if the wood closes in and pinches the saw chain inside a cut. The saw is then sent straight back toward the operator.
- **NORMAL CUTTING POSITION** - The positions assumed while making bucking and felling cuts.
- **FELLING** - The process of cutting down a tree.
- **NOTCHED UNDERCUT** - The first cutting procedure in the tree felling process. A notch is cut on one side of the tree to direct its fall.
- **FELLING BACK CUT** - The final cut in the tree felling process. The felling back cut is made on the opposite side of the tree from the notched undercut.
- **BUCKING** - The process of cutting a felled tree or log into lengths.
- **LIMBING** - The process of removing branches from a fallen tree.
- **PRUNING** - The process of cutting limbs from a living tree.

## SPECIFICATIONS\*

Approximate Unit Weight (without the battery - without chain oil) . . . . .	9.5 - 10.5 lbs. (4.3 - 4.8 kg)
Lubrication . . . . .	Bar and Chain Oil
Chain Oil Reservoir Capacity . . . . .	6.4 fl. oz. (190 mL)
Guide Bar Length . . . . .	12 in. (30.5 cm)
Saw Chain Pitch . . . . .	3/8 in. (9.5 mm)
Saw Chain Gauge . . . . .	0.050 in. (1.3 mm)
Battery Type (Model RM4140) . . . . .	40V, 4.0 Ah Lithium-Ion
Battery Type (Model RM4150) . . . . .	40V, 5.0 Ah Lithium-Ion
Approximate Battery Weight (Model RM4140) . . . . .	2.9 - 3.4 lbs. (1.3 - 1.5 kg)
Approximate Battery Weight (Model RM4150) . . . . .	3.0 - 3.5 lbs. (1.4 - 1.6 kg)
Optimum Battery Charging Temperature . . . . .	32° to 104° F (0° to 40° C)
Optimum Battery Storage Temperature . . . . .	64° to 73° F (18° to 23° C)
Optimum Battery In-Use Temperature . . . . .	32° to 113° F (0° to 45° C)
Battery Charger Input . . . . .	120 V 60 Hz AC only
Battery Charger Output . . . . .	1.8 A 40 V DC
Approximate Charging Time (Model RM4140) . . . . .	135 minutes
Approximate Charging Time (Model RM4150) . . . . .	162 minutes
Approximate Battery Charger Weight . . . . .	1.25 - 1.75 lbs. (0.6 - 0.8 kg)

\* All specifications are based on the latest product information available at the time of printing. We reserve the right to make changes at any time without notice.

## REPLACEMENT PARTS

Please contact the Customer Support Department to order replacement parts.

Part #	Description
713-05074 . . . . .	Saw Chain (12 in. / 30.5 cm)
795-00321 . . . . .	Guide Bar (12 in. / 30.5 cm)

## ASSEMBLY



**WARNING:** To prevent serious personal injury and damage to the unit, never assemble, disassemble or adjust the unit while it is running. Always turn the unit off and remove the battery to prevent the unit from starting accidentally. Always allow the unit to cool before assembling, disassembling or making any adjustments.

### ADDING BAR AND CHAIN OIL: INITIAL USE

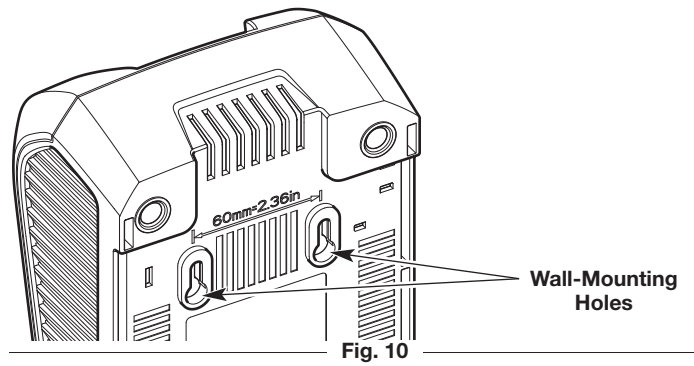
This unit comes from the factory with the chain oil reservoir empty. Fill the chain oil reservoir with bar and chain oil before starting or using the unit. Refer to *Adding Bar and Chain Oil* instructions in the *Maintenance* section.

### ADJUSTING THE CHAIN TENSION: INITIAL USE

The saw chain must be properly tensioned before attempting to start or operate the unit. The saw chain may also require additional tensioning as the saw chain heats up during operation. Refer to *Adjusting the Chain Tension* instructions in the *Maintenance* section.

## WALL-MOUNTING THE CHARGER (OPTIONAL)

The battery charger can be mounted to a permanent surface, such as a wall or work bench. Use mounting fasteners (not included) capable of supporting the combined weight of the battery and battery charger. Wall-mounting holes are located on the bottom of the charger (Fig. 10).



## CHARGING THE BATTERY

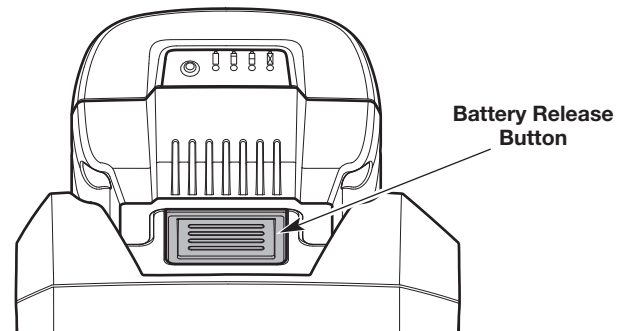
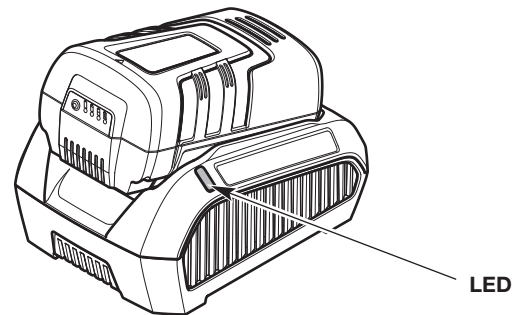
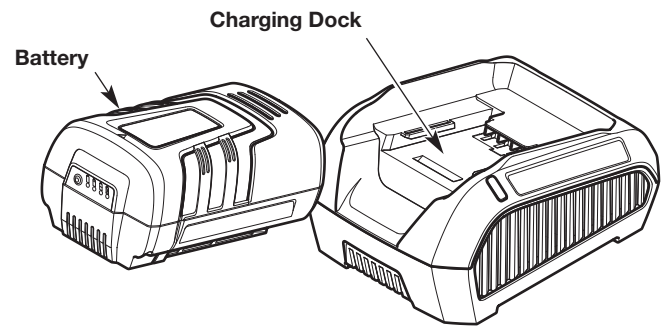
**NOTE:** The battery is not shipped fully charged.

**NOTE:** Lithium-ion batteries will not develop a memory and may be charged at any time.

For maximum run time, fully charge the battery before each use.

1. Plug the battery charger into an appropriate power outlet. The LED should turn red (constant) (Fig. 12). If it does not:
  - Make sure the battery charger is fully plugged into an appropriate power outlet.
  - Make sure the power outlet is functioning by testing it with another electrical device.
2. Insert the battery into the charging dock (Fig. 11). Push the battery firmly until it locks into place.
3. Examine the LED. The LED will indicate the battery status:
  - **Green (blinking):** The battery is charging. Charge the battery until the green light stops blinking.
  - **Green (constant):** The battery is fully charged.
  - **Red (blinking - slow):** The battery and/or charger are too hot or too cold. Make sure the battery and charger are in an environment between 32° and 104° F (0° and 40° C). Allow time for the battery and/or charger to warm up or cool down.
  - **Red (blinking - fast):** The battery is no longer functional. Refer to the *Warranty* section for replacement information.
  - **Red (constant):** The battery is not charging. Remove the battery. Make sure the terminals on the battery and battery charger are clean. Re-insert the battery into the charging dock. Push the battery firmly until it locks into place.
4. To maximize the life of the battery, the battery charger will turn off when charging is complete. Once the battery is fully charged, remove it from the battery charger. Optionally, the battery can be stored in the battery charger, but the battery charger should be unplugged from the power outlet.

To remove the battery: Hold the battery charger in place with one hand. Press the battery release button with the other hand (Fig. 13). Slide the battery out of the charging dock.



## INSTALLING AND REMOVING THE BATTERY



**WARNING:** Avoid accidentally starting the unit. To prevent serious injury, **DO NOT** press the trigger lockout and **DO NOT** squeeze the trigger when installing or removing the battery. Refer to *Starting and Stopping*. Remove the battery from the unit when it is not in use.

### Installing the Battery

1. Grasp the front handle firmly (Fig. 14).
2. Slide the battery into the battery port (Fig. 14). Push the battery firmly until the battery locks into place (Fig. 14). There should be an audible “click.”
3. Gently pull the battery to make sure it is securely locked in place.

### Removing the Battery

1. Grasp the front handle firmly (Fig. 14).
2. Press the battery release button to unlock the battery (Fig. 14).
3. Pull the battery out of the battery port (Fig. 14).

**NOTE:** It may require a strong pull to remove the battery.

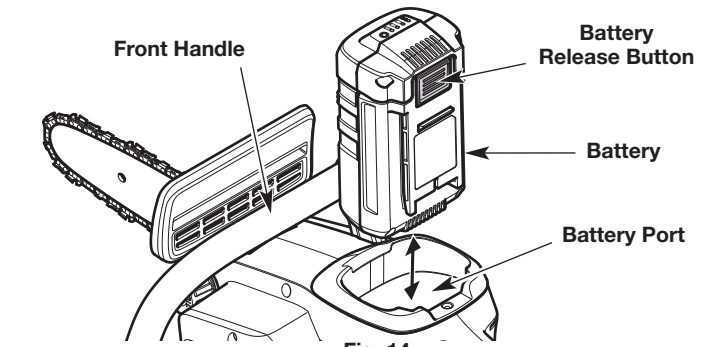


Fig. 14

## STARTING AND STOPPING



**WARNING:** Never operate the unit without the guide bar and saw chain properly installed. Make sure the guide bar cover is securely assembled. Make sure the saw chain is properly tensioned. Refer to *Adjusting the Chain Tension* instructions in the *Maintenance* section.



**WARNING:** The saw chain will spin after the unit starts. Keep hands and feet clear of the saw chain and do not allow the saw chain to contact any object(s).

### BEFORE STARTING THE UNIT

1. Fill the chain oil reservoir with bar and chain oil. Refer to *Adding Bar and Chain Oil* in the *Maintenance* section.
2. Install the battery. Refer to *Installing the Battery*.

### STARTING INSTRUCTIONS

**NOTE:** To help prevent the motor from starting accidentally, this unit has a trigger lockout. The trigger lockout and trigger must both be engaged to start the unit.

1. Press and hold the trigger lockout (Fig. 15).
2. Continue to hold the trigger lockout. Squeeze and hold the trigger to start the unit (Fig. 15).
3. Release the trigger lockout, but continue to squeeze the trigger to the degree needed for the operation.

### STOPPING INSTRUCTIONS

1. Release the trigger (Fig. 15).
2. Wait for all moving parts to come to a complete stop.

**NOTE:** Upon release of the trigger, the trigger lockout will reset to the locked position.

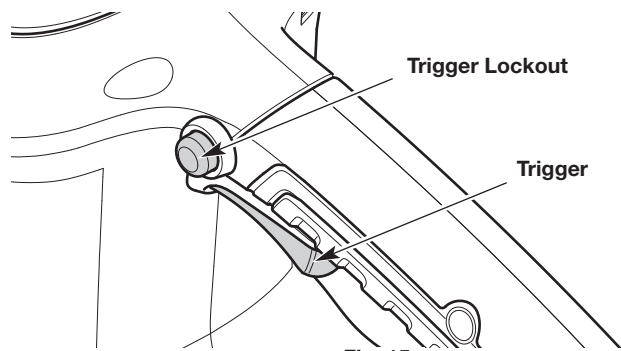


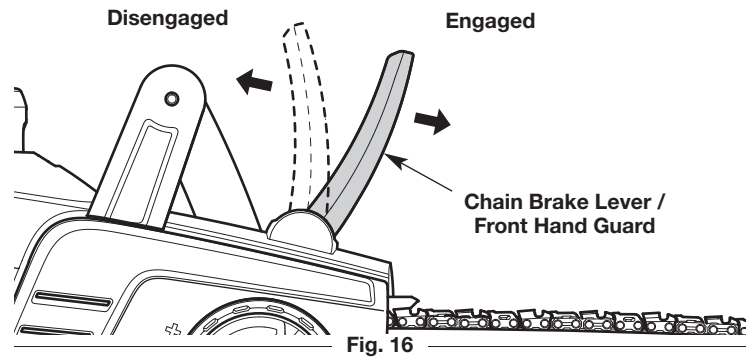
Fig. 15

## USING THE CHAIN BRAKE

In emergency situations, the saw chain can also be stopped by engaging the chain brake. The chain brake can be activated intentionally by pushing the front hand guard / chain brake lever forward. It can also be activated if the operator's hand strikes the front hand guard / chain brake lever during kickback.

### Testing the Chain Brake

	<b>WARNING:</b> Always activate the chain brake slowly and deliberately. Keep the saw chain from touching anything. Do not let the chain saw tip forward.
--	---



Always test the chain brake before using the unit.

1. **Set the unit on a flat, level surface.**
2. Make sure the front hand guard / chain brake lever is pulled back in the disengaged position (Fig. 16).
3. Grip the unit firmly with both hands. Refer to *Holding the Unit* in the *Operation* section.
4. Start the unit. Refer to *Starting Instructions*.
5. While the unit is running, engage the chain brake by pushing the front hand guard / chain brake lever forward with the left hand (Fig. 16). The chain should stop moving abruptly. If it does not, have the unit serviced by an authorized service center.
6. Stop the unit. Refer to *Stopping Instructions*.
7. Pull the front hand guard / chain brake lever back to the disengaged position.

## OPERATION

	<b>WARNING:</b> Do not expose power tools to rain or wet conditions.
	<b>WARNING:</b> Always check the chain tension and adjust as necessary before beginning operation. Refer to <i>Adjusting the Chain Tension</i> in the <i>Maintenance</i> section.

	<b>WARNING:</b> Make sure the chain oil reservoir is full before operation. Check the oil level constantly so that it does not drop below half full. The saw chain must be continuously coated with oil to function properly.
	<b>WARNING:</b> Always wear appropriate eye, hearing, hand, foot and body protection to reduce the risk of injury when operating this unit. Wear head protection. Use a full face shield when needed. Refer to the <i>Safety</i> section for appropriate safety equipment information.

## CHECKING THE BATTERY CHARGE LEVEL

1. Press the charge meter button (Fig. 17).
2. One or more of the charge meter lights should illuminate (Fig. 17). The number and color of the lights will indicate the current battery charge level:
  - 3 Green Lights = 66 - 100% Charge
  - 2 Green Lights = 33 - 66% Charge
  - 1 Green Light = 1 - 33% Charge
  - 1 Red Light = 0% Charge
3. If the red light illuminates, charge the battery before any further use.

**NOTE:** While in use, lithium-ion batteries provide power with minimal power fade. When the battery is fully discharged, it will immediately cut power to the unit and require charging.

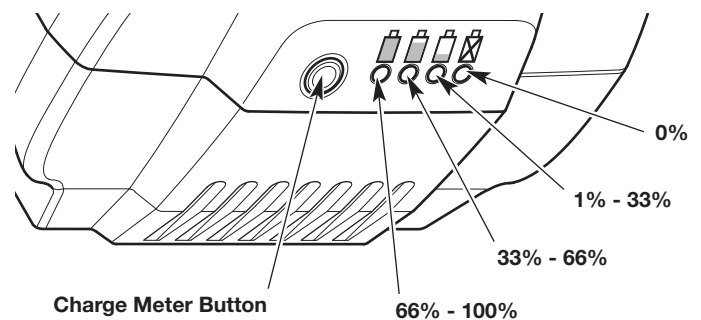


Fig. 17



## TIPS FOR BEST RESULTS

- Follow all safety instructions. Refer to the *Safety* section.
- Only cut wood and materials made of wood. Do not attempt to cut sheet metal, plastics, masonry or any other non-wood materials.
- Work slowly and maintain careful control.
- Practice cutting a few small logs before beginning a major cutting operation. First-time users should practice cutting logs on a sawhorse or cradle before undertaking other operations.
- Do not attempt to cut trees or logs with diameters larger than 10 in. (25.4 cm).
- When pruning, remove lower branches first to allow clear access to higher branches and to provide space for falling branches.
- When pruning, remove long branches in stages, not all at once.

## PREPARING THE WORK AREA

- Clear the area of children, bystanders and pets; keep them outside a 50-foot (15 m) radius, at a minimum. Even then, they are still at risk from thrown objects. Encourage bystanders to wear eye protection. If you are approached, stop the unit immediately. When felling, the safe distance is at least twice the height of the tallest tree in the work area. When bucking, keep workers at least 15 feet (4.6 m) apart.
- Keep the work area clean. Cluttered areas invite injuries. Do not start cutting until the work area is clear and free from obstructions. Make sure there is secure footing and a planned retreat path from falling trees or branches.
- Do not cut near electrical cables or power lines. Keep at least 50 feet (15 m) away from all power lines.
- Use the unit only in daylight or good artificial light.

## HOLDING THE UNIT



**WARNING:** Always use the hand placements specified below whether the operator is left-handed or right-handed. This will help keep the operator slightly to the left of the unit and out of the direct line of the saw chain if kickback occurs (Fig. 20 and Fig. 21). Always keep all body parts to the left of the chain line.

- Always grip the unit firmly with both hands when the unit is running.
- Firmly encircle the handles with the thumbs and fingers (Fig. 18). This will help reduce the chance of losing control of the unit if kickback occurs. Any grip with thumbs and fingers on the same side of the handles is dangerous (Fig. 19).
- Stand in a stable position with feet apart and firmly planted.
- Hold the front handle with the left hand. Keep the left arm straight to help withstand potential kickback.
- Hold the rear handle with the right hand. Keep the right arm slightly bent.
- Do not cut above shoulder height. Do not overreach.
- When carrying the chain saw from one place to another, hold it by the front handle, away from the body, and keep the guide bar pointed to the rear.

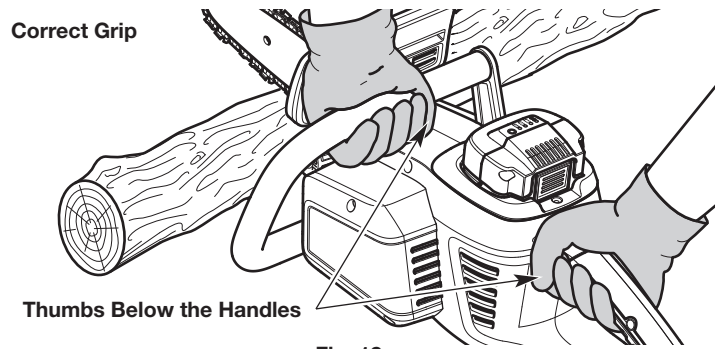


Fig. 18



Fig. 19

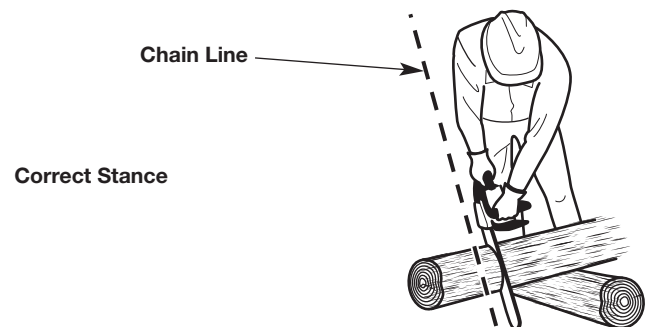


Fig. 20

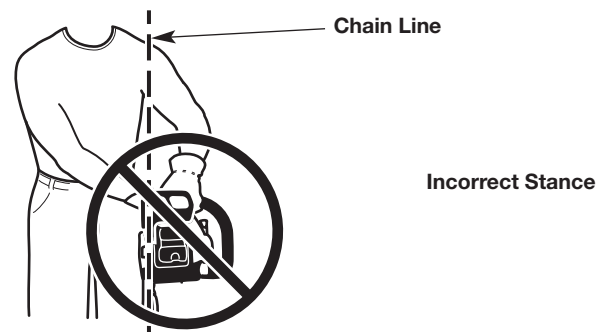


Fig. 21

## CUTTING PROCEDURE BASICS

1. Start the unit. Refer to *Starting Instructions* in the *Starting and Stopping* section.
2. Make sure that oil is flowing onto the guide bar and saw chain. A small spray should be visible. When using the unit for the first time, allow 30-60 seconds for the oil to begin flowing.
3. Press the unit against the wood and maintain a firm, steady pressure through most of the cut. Do not put pressure on the unit at the end of the cut.
4. Keep the unit running through the entire cut.
5. Do not try to force the saw through the wood. Allow the saw chain to do the cutting. Exert only light pressure. Forcing the cut could result in damage to the unit or personal injury.
6. Release the trigger as soon as the cut is completed. Allow the saw chain to come to a complete stop. The saw chain, guide bar and motor may experience unnecessary wear if the unit is run without a cutting load.

## FELLING: SAFETY

Felling is the process of cutting down a tree. Follow these safety precautions to reduce the risk of serious injury, property damage and damage to electrical lines:

- Do not fell trees with an extreme lean. Do not fell trees with rotten limbs, loose bark or hollow trunks. Have these trees pushed or dragged down with heavy equipment.
- Do not cut trees near buildings or electrical lines. Leave these operations for professionals. If a felled tree does contact an electrical line, notify the utility company immediately.
- Check the tree for damaged or dead branches that could fall and cause serious injury.
- Remove dirt, stones, loose bark, nails, wire and other obstructions from the portion of the tree that will be cut.
- When bucking and felling operations are performed by two or more persons in the same general area, they should be separated from each other by a distance of at least twice the height of the tree to be felled.
- Consider the force and direction of the wind. Consider the lean and balance of the tree. Consider the location of large branches. All of these factors influence the direction that the tree will fall. Do not try to fell a tree in a direction other than its natural fall line.
- Do not fell trees during periods of precipitation or high winds.
- Determine a safe and expedient escape route. Clear the area around the tree and make sure there are no obstructions blocking the escape route. Establish a 90° corridor of escape, approximately 135° from the line of fall (Fig. 22).
- Stay uphill from the tree; it will most likely roll or slide after it falls.

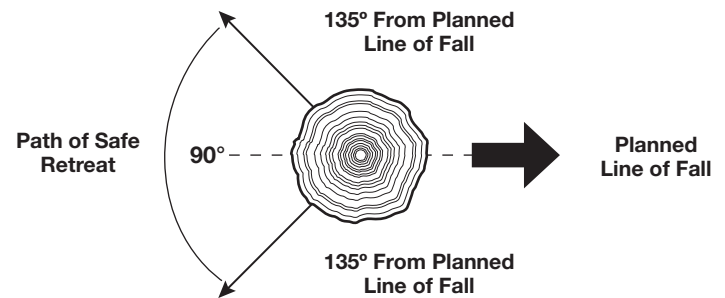


Fig. 22

## FELLING: PROCEDURE

Small trees, up to 6 - 7 inches (15 - 18 cm) in diameter, are usually felled in a single cut. Larger trees require a sequence of two cutting operations: a notched undercut followed by a felling back cut. It may also be necessary to remove buttress roots.

### Step 1: Removing Buttress Roots

Buttress roots are large roots that extend above the ground and help support the tree. If the tree has large buttress roots that might impede the felling process, follow these steps to remove them:

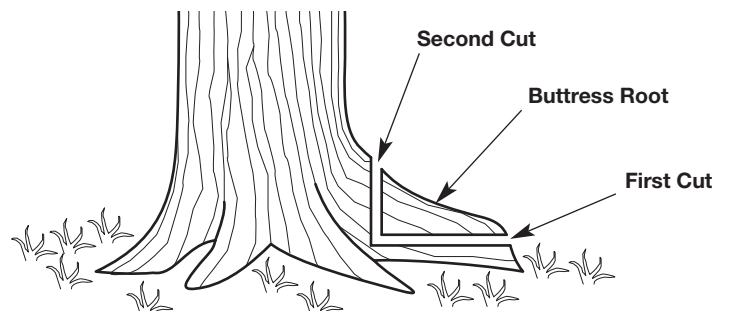


Fig. 23

1. Make a horizontal cut into the buttress root (Fig. 23). To prevent the guide bar from being pinched by the weight of the wood, always make this cut first.
2. Make a vertical cut into the buttress root (Fig. 23).
3. Remove the loose section from the work area.

### Step 2: Making the Notched Undercut



**WARNING:** Never walk in front of a tree with a notched undercut.

This cut determines which direction the tree will fall. Always make this cut on the side of the tree facing the direction where the tree should fall. Make the cut at 90° to the line of fall.

1. Make a horizontal cut into the trunk of the tree (Fig. 24). The cut should be about 1/3 the diameter of the tree and close to the ground. To prevent the guide bar from being pinched by the weight of the wood, always make this cut first.
2. Make a 45° cut into the trunk of the tree, above the first cut (Fig. 24). Continue cutting until the two cuts meet.
3. Remove the loose section from the work area.

### Step 3: Making the Felling Back Cut



**WARNING:** Always recheck the area for bystanders, animals and obstacles before making the felling back cut.

This cut fells the tree.

1. Make a horizontal cut into the opposite side of the tree from the notched undercut (Fig. 25). Make the cut approximately 2 inches (5 cm) above the bottom of the notched undercut (Fig. 25).
2. As the cut gets close to the notched undercut, only a thin band of wood will support the tree. This band of wood is referred to as the hinge (Fig. 25). The hinge helps control the fall of the tree. Leave approximately 2 inches (5 cm) of hinge in place. Do not cut through the hinge. Cutting through the hinge could cause the tree to fall in any direction.
3. Periodically glance up during the felling back cut to see if the tree is going to fall in the correct direction. If there is a chance that the tree might not fall in the desired direction, or if the tree might rock back and bind the chain saw, remove the guide bar from the cut, stop the unit and use wedges to open the cut and direct the fall (Fig. 26). Only use soft plastic or wooden wedges. Drive the wedges into the cut slowly. Once the wedges are in place and the cut is held open, either carefully reinsert the guide bar and continue the cut or slowly drive the wedges in further to push the tree over.
4. As the hinge gets smaller, the tree should begin to fall. When the tree begins to fall, remove the chain saw from the cut, stop the motor and set the unit down immediately. Promptly exit the area along the retreat path, but keep watching the tree as it falls.



**DANGER:** If the tree starts to fall in the wrong direction and binds the chain saw, leave the unit and evacuate the area immediately! Do not try to save the chain saw!



**WARNING:** Stay clear of spring poles when operating the unit. Spring poles are branches, logs, roots or saplings that are bent under tension by other wood (Fig. 27). When the tension is released, spring poles can strike the operator, causing serious injury and potentially knocking the chain saw into the operator's body. Use extreme caution when cutting spring poles or when releasing the cause of tension.

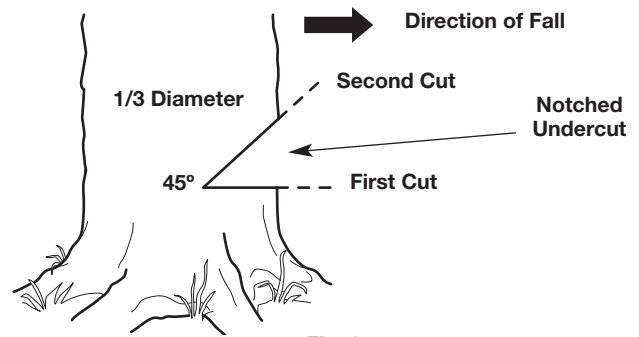


Fig. 24

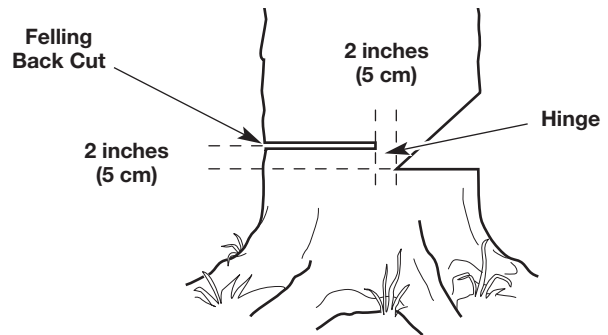


Fig. 25



Fig. 26

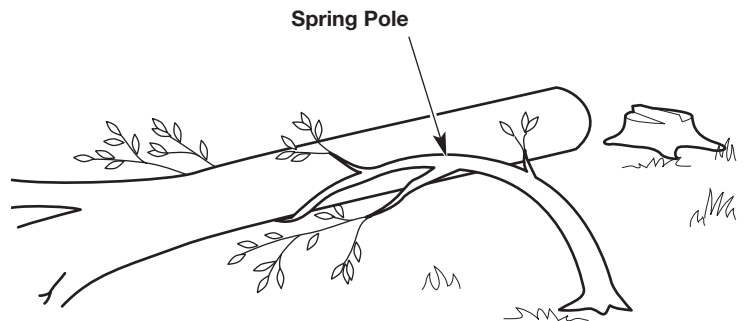
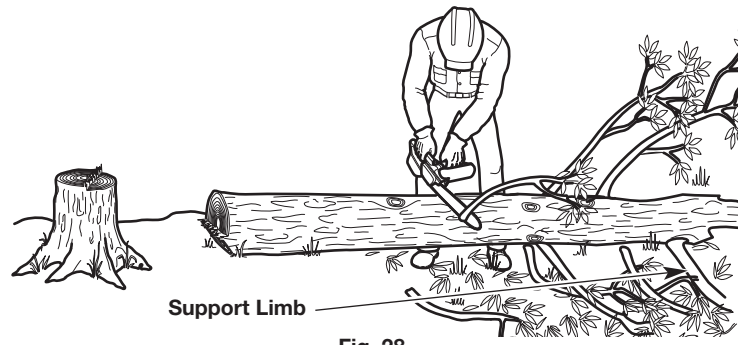


Fig. 27

## LIMBING

Limbing is the process of removing branches from a fallen tree.


1. Leave the larger support limbs under the tree for last (Fig. 28). These will keep the tree off the ground during the limbing process.
2. Cut one limb at a time. Stand on the opposite side of the tree from the limb (Fig. 28). Keep the trunk between the operator and the chain saw. To avoid binding the chain saw, branches under tension should be cut from the bottom up.
3. Remove the cut limbs from the work area.

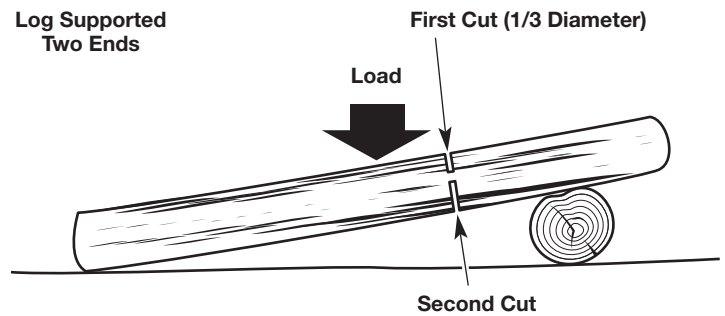
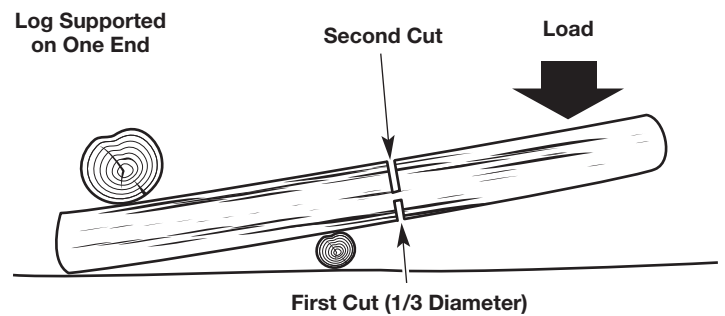


## BUCKING: SAFETY

Bucking is the process of cutting a fallen tree into logs of desired lengths. Follow these safety precautions to reduce the risk of serious injury:

- Clear the area of objects or obstructions that could contact the guide bar and result in kickback.
- When bucking on a slope, always stand on the uphill side of the fallen tree.
- If possible, the end of the tree to be cut should be raised off of the ground. A saw horse is ideal for this purpose. If a saw horse is not available, use other logs or any remaining limb stumps. Make sure the tree is firmly supported.
- Do not let the saw chain contact the ground or saw horse.
- Cut one log at a time. Release the trigger and allow the saw chain to come to a complete stop before moving on to the next log.
- Keep feet and all other body parts clear of falling logs.

 **DANGER:** Use extreme caution when cutting a fallen tree that is still attached to the root structure. When the trunk is separated from the roots, the stump has a high potential for rocking back into the hole created by the roots. This can result in serious injury or death. Never stand in the hole left by the roots. Never allow others to stand near the root structure.

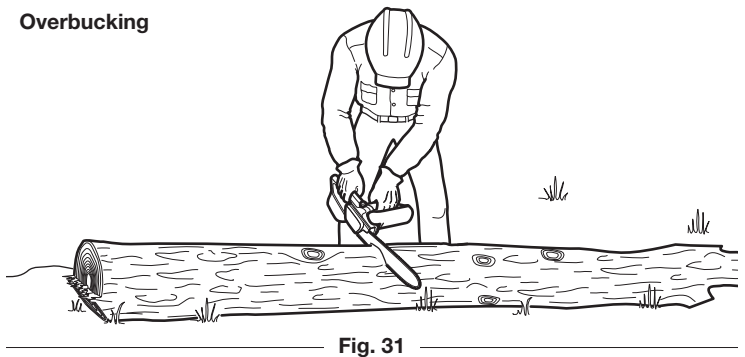


## BUCKING: PROCEDURE

### Cutting Logs Under Stress

When logs are supported on one or both ends, the wood tends to bend during the cutting process. This can cause the chain saw to become pinched between the two sides. Pay extra attention.

1. Make the first cut approximately 1/3 the diameter of the log. Do not cut deeper than 1/3.
  - If the log is supported on one end (Fig. 29), make the first cut from below (underbucking). Refer to *Underbucking*.
  - If the log is supported on two ends (Fig. 30), make the first cut from above (overbucking). Refer to *Overbucking*.
2. Make the second cut from the opposite side until the two cuts meet. If the diameter of the wood is large enough, insert soft plastic or wooden wedges to hold the cut open and prevent pinching (Fig. 33). Take care not to touch the wedges with the saw chain.



## Cutting Fully-Supported Logs

When logs are supported along the entire length, extra care should be taken to make sure the saw chain does not contact the ground or other support structure (Fig. 31).

1. Cut through the log as much as possible, without cutting into the ground or support structure. Cut from above (overbucking). Refer to *Overbucking*.
2. Roll the log over and finish cutting through the log from above (overbucking).

## Overbucking

1. Begin cutting from above, with the bottom of the saw chain against the top of the log (Fig. 31).
2. Exert light, downward pressure. The saw will tend to pull away from the operator. Be prepared and hold the saw firmly to maintain control.

## Underbucking

1. Begin cutting from below, with the top of the saw chain against the bottom of the log (Fig. 32).
2. Exert light, upward pressure. The saw will tend to push toward the operator. Be prepared and hold the saw firmly to maintain control.

## Underbucking



Fig. 32

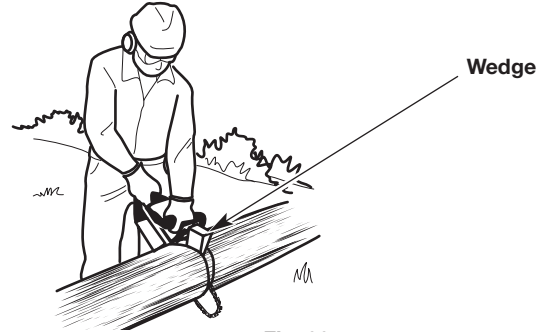


Fig. 33

## PRUNING



**WARNING:** Do not cut above shoulder height with a chain saw. Use a pole saw to cut limbs above shoulder height or hire a professional. Do not operate the unit in a tree or on a ladder unless specifically trained to do so.



**WARNING:** Falling branches can cause serious injury. Always wear appropriate head protection. Plan an escape route away from falling limbs. Do not stand, or position any body parts, directly below the branch being cut.

Pruning is the process of cutting limbs from a living tree.

1. Make the first cut approximately 6 inches (15 cm) from the tree trunk. Cut upward, from the underside of the limb. Use the top of the guide bar to make this cut. Cut a third of the way through the diameter of the limb (Fig. 34).
2. Make the second cut 2 - 4 inches (5 - 10 cm) farther out on the limb. Cut downward, from the top of the limb. Use the bottom of the guide bar to make this cut. Cut completely through the limb (Fig. 34).
3. Make the third cut as close to the tree trunk as possible. Cut upward, from the underside of the limb stub. Use the top of the guide bar to make this cut. Cut a third of the way through the diameter of the limb (Fig. 34).
4. Make the fourth cut directly above the third cut. Cut downward, from the top of the limb stub. Use the bottom of the guide bar to make this cut. Cut completely through the limb stub to meet the third cut (Fig. 34). This will remove the limb stub.

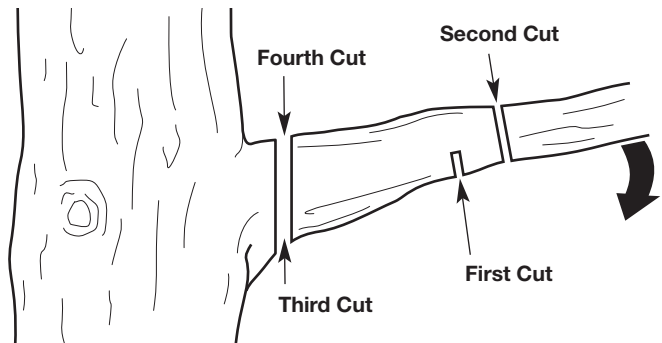


Fig. 34

## MAINTENANCE



**WARNING:** To prevent serious injury, never perform maintenance on the unit while it is running. Always remove the battery to prevent the unit from starting accidentally. Always allow the unit to cool before maintaining the unit. Before maintaining the battery charger, always unplug it from the power outlet.



**WARNING:** Wear protective clothing and observe all safety instructions to prevent serious personal injury.

### MAINTENANCE SCHEDULE

Perform these required maintenance procedures at the frequency stated in the table. These procedures should also be a part of any seasonal tune-up.

All service, other than the maintenance procedures described in this manual, should be performed by an authorized service center.

**NOTE:** Some maintenance procedures may require special tools or skills. If you are unsure about these procedures, take the unit to an MTD authorized service center.

## CUSTOMER RESPONSIBILITY

FREQUENCY	MAINTENANCE REQUIRED
Before each use	<ul style="list-style-type: none"> <li>• Check for loose screws, nuts or bolts (tighten as needed)</li> <li>• Check for damaged or worn parts*</li> <li>• Check the saw chain sharpness. Refer to <i>Sharpening the Saw Chain</i>.</li> <li>• Check the chain tension (adjust as needed). Refer to <i>Adjusting the Chain Tension</i>.</li> <li>• Fill the chain oil reservoir (refill frequently). Refer to <i>Adding Bar and Chain Oil</i>.</li> </ul>
After each use	<ul style="list-style-type: none"> <li>• Clean the unit and inspect decals. Refer to <i>Cleaning</i> in the <i>Cleaning and Storage</i> section.</li> </ul>
Every 10 hours	<ul style="list-style-type: none"> <li>• Clean the guide bar groove and oil passages.</li> </ul>

\* If maintenance or replacement is required, have the unit serviced by an MTD authorized service center.

### MAINTAINING THE BATTERY CHARGER

- Keep the battery charger clean and clear of debris. Do not allow foreign material into the charging dock or onto the terminals (Fig. 35). Inspect the battery charger for foreign material before each use.
- Make sure the charger has not been shorted by debris. Inspect the terminals for soot and signs of melting. Do not attempt to use a shorted charger.

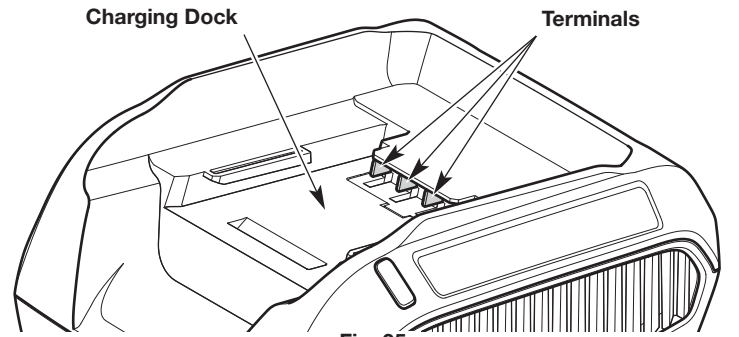


Fig. 35

## ADDING BAR AND CHAIN OIL



**DANGER:** Failure to fill the chain oil reservoir will cause irreparable damage to the unit. Make sure the chain oil reservoir is always filled. Always use bar and chain oil.



**WARNING:** Check the chain oil level frequently so that it does not drop below half full.

The guide bar and saw chain require lubrication to minimize friction. Never starve the guide bar and chain of lubricating oil. Running the unit without enough oil will decrease cutting efficiency, shorten the life of the saw chain, cause rapid dulling of the saw chain and excessive wear to the guide bar from overheating. An insufficient amount of lubricating oil is evidenced by smoke, guide bar discoloration or pitch build-up.

Only use bar and chain oil that is formulated to perform over a wide range of temperatures with no diluting required in the chain oil reservoir. Do not use motor oil or any other petroleum-based oil. Do not use dirty, used or contaminated oil. Damage may occur to the guide bar or saw chain. Dispose of old oil according to federal, state and local regulations.

### Checking the Chain Oil Level

1. **Set the unit on a flat, level surface. Position the unit upright (Fig. 36).**
2. Look into the chain oil level window. The oil level should fill the window at least halfway (Fig. 36). If the oil level is too low, add bar and chain oil. Refer to *Filling the Chain Oil Reservoir*.

### Filling the Chain Oil Reservoir

1. **Set the unit on a flat, level surface. Position the unit with the chain oil cap facing up (Fig. 37).**
2. To prevent debris from entering the chain oil reservoir, use a clean cloth to clean the chain oil cap and surrounding area.
3. Unscrew the chain oil cap (Fig. 37).
4. Carefully pour the oil into the chain oil reservoir. **DO NOT** overfill.
5. Reinstall the chain oil cap. Tighten the chain oil cap firmly.
6. Wipe up any oil that may have spilled.

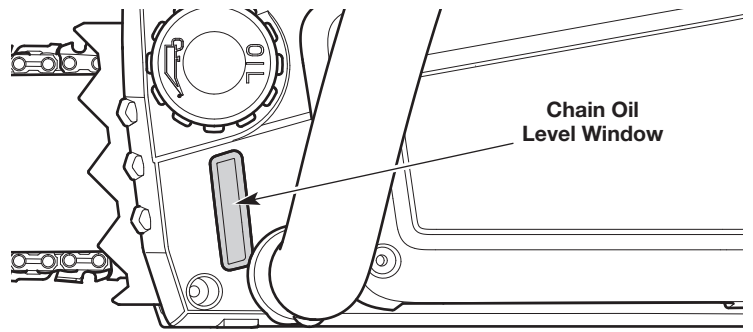


Fig. 36

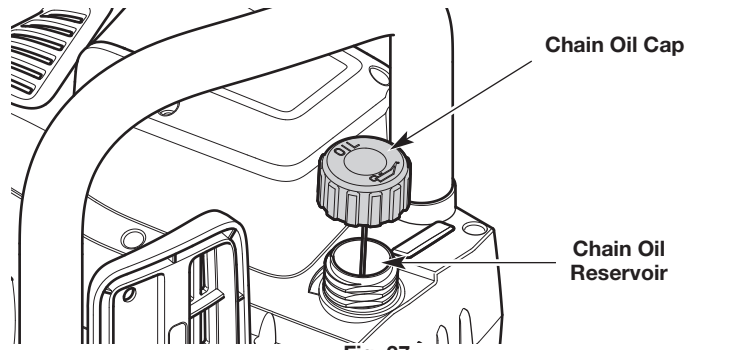


Fig. 37

## ADJUSTING THE CHAIN TENSION



**CAUTION:** The guide bar, saw chain, and saw bearings will wear more rapidly if the saw chain is not properly tensioned. Maintaining proper chain tension will improve cutting performance and prolong the life of the saw chain.



**WARNING:** To prevent serious injury, never touch the saw chain or adjust the chain tension while the unit is running. Always turn the unit off and remove the battery to prevent the unit from starting accidentally.



**WARNING:** The saw chain is very sharp. Always wear heavy-duty protective gloves when handling or performing maintenance on the saw chain.

Check the chain tension before and during operation. The saw chain will expand as it heats up during operation. Adjust the chain tension whenever the flats on the saw chain hang out of the bar groove (Fig. 38 and Fig. 42).

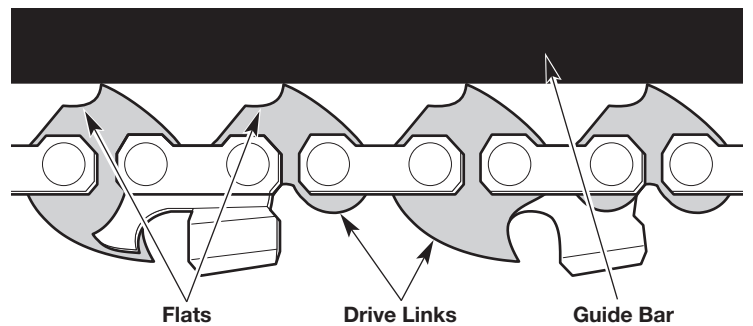



Fig. 38

**NOTE:** A new saw chain tends to stretch and will need readjustment after as few as five (5) cuts. This is normal during the break-in period. The interval between future adjustments will lengthen quickly.

1. Turn the bar knob counterclockwise to slightly loosen the bar cover (Fig. 39). **DO NOT** remove the bar cover.
2. Hold the guide bar tip up (Fig. 40) and turn the chain-tensioning ring to adjust the tension (Fig. 41).
  - Turn the chain-tensioning ring clockwise to tighten the saw chain.
  - Turn the chain-tensioning ring counterclockwise to loosen the saw chain.

The saw chain should fit snugly against the underside of the guide bar. There should be no sag (Fig. 42).

3. Continue to hold the guide bar tip up (Fig. 40). Turn the bar knob clockwise to securely tighten the bar cover (Fig. 39).

	<p><b>CAUTION:</b> If the saw chain was tensioned while warm, it may become too tight when cooled. Loosen the chain tension after operation and check the chain tension before the next use.</p>
--	--

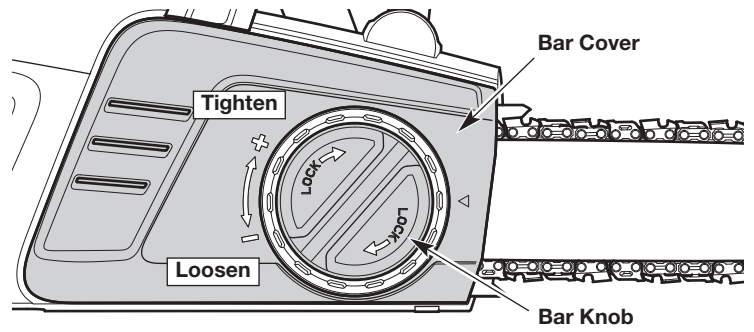


Fig. 39

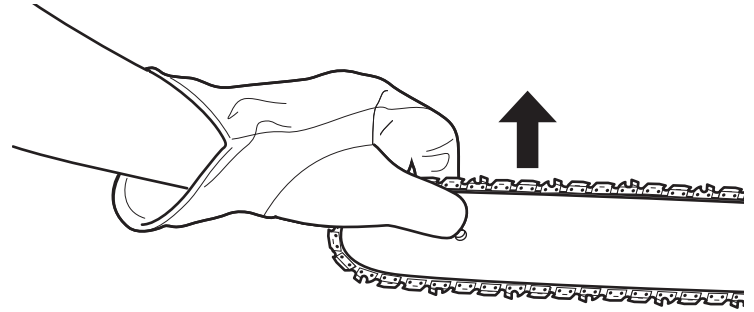


Fig. 40

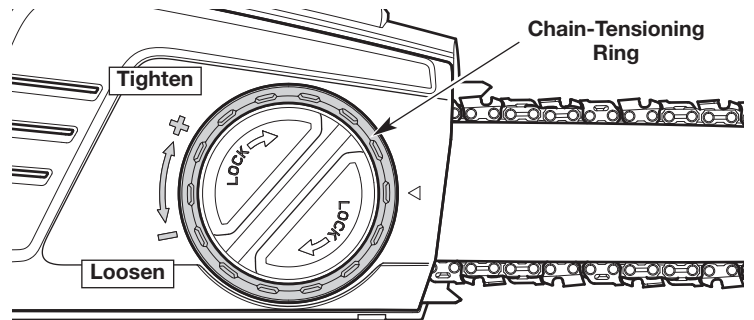


Fig. 41

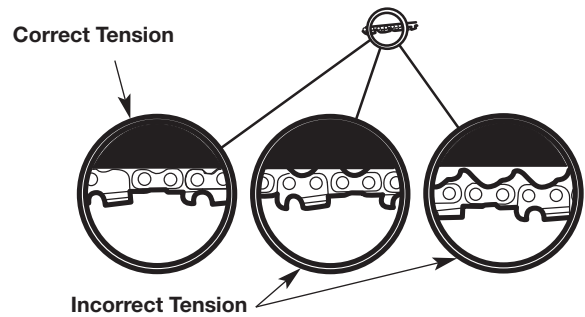


Fig. 42



## REMOVING AND INSTALLING THE GUIDE BAR AND SAW CHAIN



**WARNING:** The saw chain is very sharp. Always wear heavy-duty protective gloves when handling or performing maintenance on the saw chain.

The guide bar and saw chain need to be removed when certain maintenance procedures are performed, such as when rotating the guide bar. When replacing old guide bars and saw chains with new parts, always use the manufacturer's specified replacement parts. Refer to *Replacing the Guide Bar and Saw Chain*.

### Removing the Guide Bar and Saw Chain

1. Turn the bar knob counterclockwise to loosen the bar cover (Fig. 39).
2. Remove the bar cover.
3. Carefully remove the saw chain and guide bar (Fig. 45).
4. Remove the saw chain from the guide bar.
5. Use a small Phillips screwdriver to remove the screw that holds the bracket onto the guide bar (Fig. 43).

### Installing the Guide Bar and Saw Chain

1. Place the bracket onto the guide bar (Fig. 43). Align the hole on the bracket with the hole on the guide bar (Fig. 43). Insert the screw into the aligned holes (Fig. 43). Tighten the screw securely with a small Phillips screwdriver.
2. Set the saw chain on a clean, flat surface and straighten out any kinks.
3. Fit the saw chain into the guide bar groove (Fig. 44). Make sure the cutters point in the correct direction of rotation (Fig. 44). Keep a loop of saw chain at the back end of the guide bar (Fig. 44).
4. Hold the saw chain and guide bar together in position over the unit. Loop the saw chain around the drive sprocket and install the guide bar onto the guide bar bolt (Fig. 45). Make sure the guide bar is flush against the mounting surface (Fig. 45). Make sure the flats on the saw chain are in the grooves on the drive sprocket (Fig. 44).
5. Turn the chain-tensioning ring (Fig. 41) until the arrow on the chain-tensioning ring aligns with the arrow on the bar cover (Fig. 46).
6. Place the bar cover onto the motor housing. Make sure the chain catcher is seated securely in the slot on the bar cover (Fig. 47). Make sure the mounting post is seated securely in the hole on the bar cover (Fig. 47).
7. Turn the chain-tensioning ring (Fig. 41) clockwise until the bar cover is connected to the motor housing and the guide bar begins to move forward.
8. Turn the bar knob clockwise to tighten the bar cover (Fig. 39). **DO NOT** tighten the bar knob completely.
9. Make sure the saw chain is still in the guide bar groove. Adjust the chain tension. Refer to *Adjusting the Chain Tension*.
10. Hold the guide bar tip up (Fig. 40). Turn the bar knob clockwise to securely tighten the bar cover (Fig. 39).

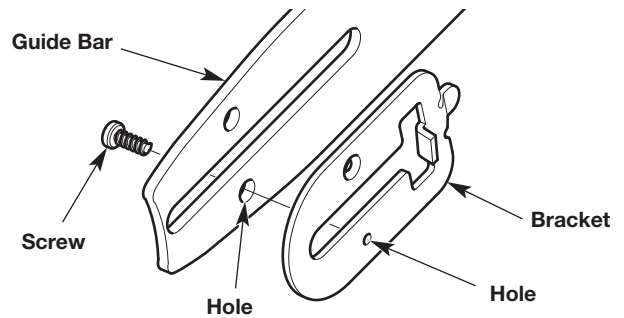


Fig. 43

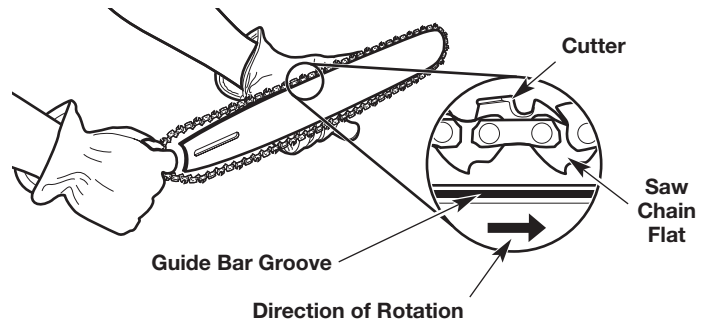


Fig. 44

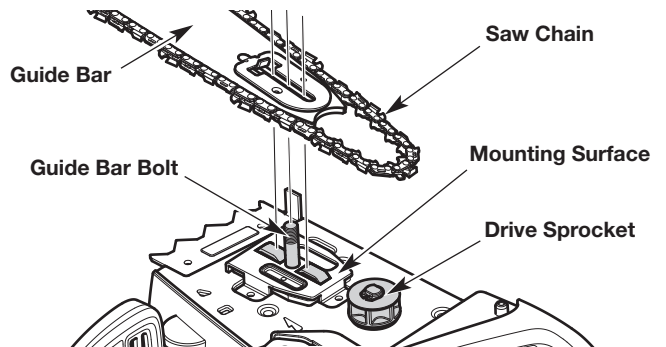


Fig. 45

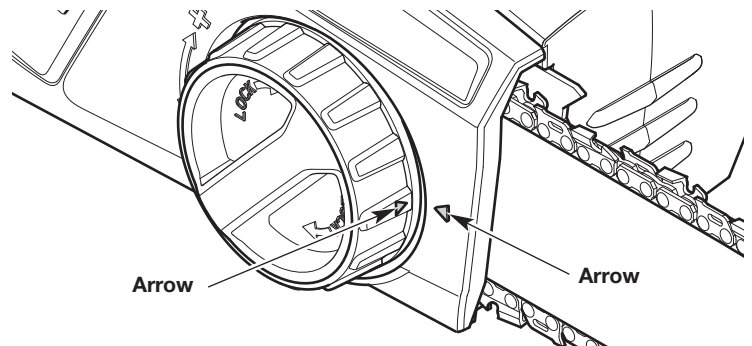


Fig. 46

## MAINTAINING THE SAW CHAIN

	<b>WARNING:</b> The saw chain is very sharp. Always wear heavy-duty protective gloves when handling or performing maintenance on the saw chain.
	<b>WARNING:</b> An improperly sharpened saw chain increases the chance of kickback. Failure to replace or properly maintain the saw chain can cause serious injury.
	<b>CAUTION:</b> A dull or improperly sharpened saw chain can cause excessive motor speed during operation, which can result in severe motor damage.

For safe, efficient operation, the saw chain must be maintained properly. The saw chain will wear with use, causing the chain to stretch. This is normal. When it is no longer possible to obtain a correct chain-tension adjustment, the saw chain will need to be repaired by an authorized service center or replaced. Refer to *Replacing the Guide Bar and Saw Chain*.

Always keep the saw chain sharp. During operation, look for the following indicators of a dull saw chain:

- Wood chips are small and powdery.
- The saw chain must be forced through the wood.
- The saw chain cuts to one side.

If any of these conditions exist, sharpen or replace the saw chain. Refer to *Replacing the Guide Bar and Saw Chain*.

**NOTE:** If you do not fully understand the process for properly sharpening a saw chain, have the saw chain sharpened by an authorized service center or replace the saw chain.

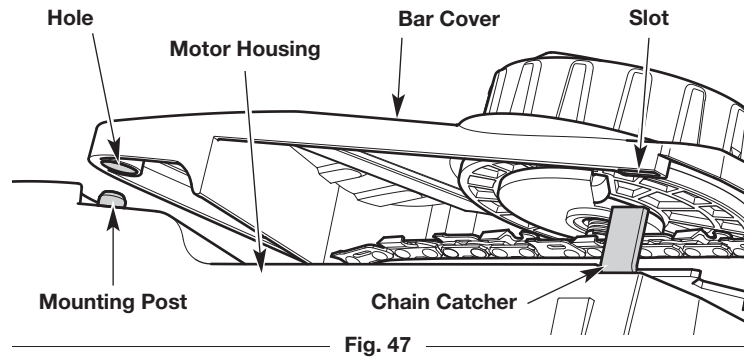


Fig. 47

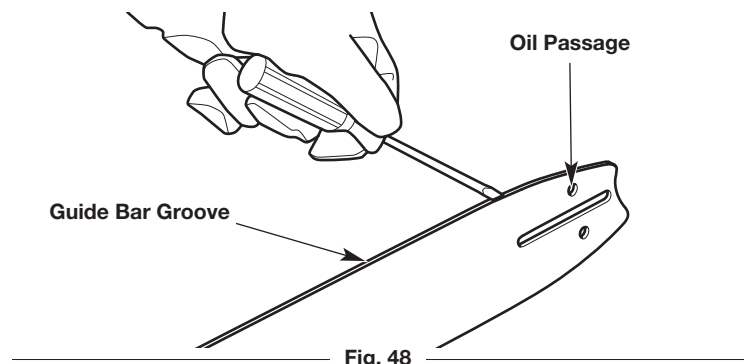


Fig. 48

## MAINTAINING THE GUIDE BAR

1. Rotate the guide bar frequently, at regular intervals (for example, after every 5 hours of operation), to ensure even wear on the top and bottom of the guide bar. Refer to *Removing and Installing the Guide Bar and Saw Chain*.
2. Clean the guide bar groove and oil passages whenever the saw chain is removed, when the unit has been used heavily or when the saw chain appears dirty. Use a screwdriver, putty knife, wire brush or similar instrument to remove debris from the guide bar groove (Fig. 48). Use a small, soft wire to remove any debris from the chain oil discharge hole (Fig. 49).

**NOTE:** If the oil passages are clear, the saw chain will give off a spray of oil shortly after it begins to rotate during operation.

3. Frequently check the guide bar for damage (Fig. 50). Feathering and burring of the guide bar rails (the ridges on either side of the bar groove) is a normal process of guide bar wear. Such faults should be smoothed with a file as soon as they occur (Fig. 50). A guide bar with the following faults should be replaced:
  - Wear inside the guide bar rails that permits the chain to lay sideways
  - Bent guide bar
  - Cracked or broken rails
  - Spread rails

- Refer to *Replacing the Guide Bar and Saw Chain*.

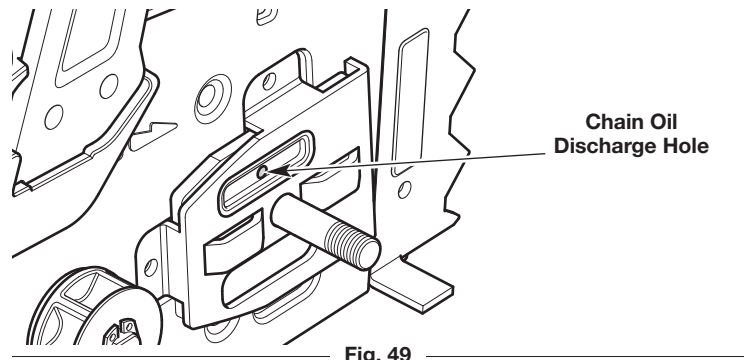


Fig. 49

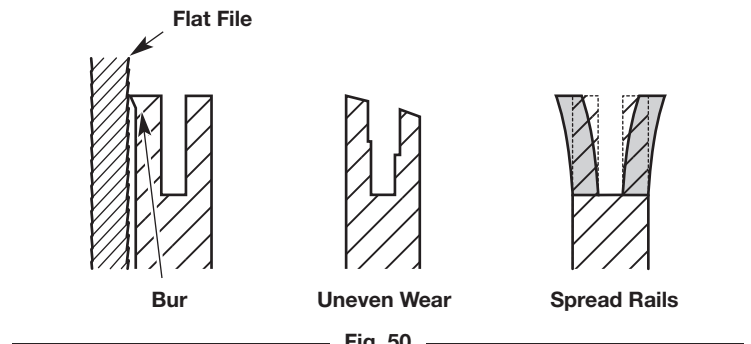


Fig. 50

## REPLACING THE GUIDE BAR AND SAW CHAIN



**WARNING:** Always use a low-kickback saw chain, which significantly reduces the danger of kickback. Low-kickback saw chain does not completely eliminate kickback. A low-kickback or “safety chain,” should never be regarded as total protection against injury.

When replacing the guide bar and saw chain, only use the replacement parts specified by the manufacturer or their equivalents. Refer to *Replacement Parts*. Use of any unauthorized parts or accessories could lead to serious injury to the operator or damage to the unit and will VOID the warranty.

Always use a replacement saw chain designated as “low-kickback” or a saw chain that meets the low-kickback performance requirements. A standard saw chain (a chain that does not have the kickback-reducing guard links) should only be used by an experienced professional chain saw operator.

## CLEANING AND STORAGE

### CLEANING



**WARNING:** To prevent serious injury, never clean the unit while it is running. Always remove the battery to prevent the unit from starting accidentally. Always allow the unit to cool before cleaning the unit. Always unplug the battery charger before cleaning the battery charger.



**WARNING:** To prevent serious injury, do not use water to clean the unit, battery or battery charger. Do not douse the unit with water. Do not submerge the unit in water or any other liquid. Do not use strong detergents. Household cleaners that contain aromatic oils such as pine and lemon, and solvents such as kerosene, can damage plastic.

1. Loosen the saw chain if the chain tension was adjusted during operation. The saw chain will contract as the unit cools, which could damage the unit if the chain is too tight.
2. Use a small brush or clean, dry cloth to clean the outside of the unit, battery and battery charger.

**NOTE:** When preparing the unit for long-term storage (30 days or more), remove the guide bar and saw chain. Carefully clean the guide bar cover, guide bar mounting surface and sprocket. Use a firm non-wire brush to clean the guide bar groove. Reassemble the unit.

3. Lightly coat the guide bar and saw chain with a corrosion-inhibiting oil.

### STORAGE

- Remove the battery from the unit.
- Loosen the saw chain if the chain tension was adjusted during operation. The saw chain will contract as the unit cools, which could damage the unit if the chain is too tight.
- Allow the unit, battery and/or battery charger to cool.
- Thoroughly clean the unit, battery and battery charger. Inspect them for any loose or damaged parts. Replace damaged parts and tighten loose screws, nuts or bolts.
- Cover the guide bar and saw chain with the scabbard.
- Lock up the unit, battery and battery charger to prevent unauthorized use or damage.
- Store the unit, battery and battery charger indoors, in a dry, well-ventilated area.
- Store the battery and battery charger in an area that is between 65 and 75° F (18 and 24° C).
- Always unplug the battery charger when it is not in use.
- Store the unit, battery and battery charger out of the reach of children.
- If the battery is left unused for more than two months, fully charge the battery before use.

**NOTE:** It is normal for bar and chain oil to seep from the unit when not in use. Please take this into consideration when storing the unit.

## TROUBLESHOOTING

PROBLEM	SOLUTION
<b>THE BATTERY WILL NOT CHARGE</b>	
The battery charger is not plugged in	Plug the battery charger into a 120V 60hz AC source
The battery is not fully inserted into the battery charger	Remove and then reinsert the battery into the battery charger completely
The battery and/or charger are too hot or too cold	Make sure the battery and charger are in an environment between 32° and 104° F (0° and 40° C). Allow time for the battery and/or charger to warm up or cool down.
The battery and/or battery charger are no longer functional	Refer to the <i>Warranty</i> section for replacement information
<b>THE BATTERY DIES QUICKLY</b>	
The battery is not fully charged	Charge the battery completely
The battery and/or battery charger are no longer functional	Refer to the <i>Warranty</i> section for replacement information
<b>THE MOTOR WILL NOT RUN</b>	
The battery lacks sufficient charge	Charge the battery completely
The battery is not installed correctly	Remove and reinstall the battery
The trigger lockout was not engaged	Press and hold the trigger lockout before squeezing the trigger
<b>THE MOTOR STOPS WHILE IN USE, BUT THE BATTERY STILL HAS SUFFICIENT CHARGE</b>	
Device protection systems have engaged	Remove the battery, allow it to cool for 30 seconds, then reinstall the battery
<b>THE SAW CHAIN COMES OFF THE GUIDE BAR</b>	
The saw chain tension is too loose	Adjust the saw chain tension
The guide bar and saw chain are assembled incorrectly	Refer to <i>Removing and Installing the Guide Bar and Saw Chain</i>
<b>THE GUIDE BAR AND SAW CHAIN ARE RUNNING HOT, SMOKING OR STUCK</b>	
The saw chain tension is too tight	Adjust the saw chain tension
The saw chain and guide bar lack sufficient oil	Fill the chain oil reservoir
The guide bar groove and oil passages are dirty	Clean the guide bar and oil passages
<b>THE SAW CHAIN DOES NOT ROTATE</b>	
The saw chain tension is too tight	Adjust the saw chain tension
The guide bar and saw chain are assembled incorrectly	Refer to <i>Removing and Installing the Guide Bar and Saw Chain</i>
The guide bar and saw chain are damaged	Inspect the guide bar and saw chain for damage. Replace them if necessary
The drive assembly is damaged	Refer to <i>Service</i> information
<b>THE SAW CHAIN ROTATES, BUT DOES NOT CUT</b>	
The saw chain is dull	Sharpen or replace the saw chain
The saw chain is on backwards	Check and correct the saw chain direction

**If further assistance is required, contact an authorized service center.**

# REMINGTON®

## REMINGTON LLC LIMITED WARRANTY

### Limited Warranty

The limited warranty set forth herein is given by Remington LLC with respect to new battery-powered, Remington-branded products (hereinafter “Product”) purchased and used in the United States and/or Canada to the Initial Purchaser (as defined herein). This Product is not intended for rental or commercial use.

### Scope Of The Limited Warranty

Remington LLC offers the following limited warranty to the Initial Purchaser for residential or otherwise non-commercial use: except for the Exclusions (defined herein), during the Warranty Period (as defined herein), this Product (exclusive of the battery and the battery charger) will be free from manufacturing defects, including workmanship and materials. The “Initial Purchaser” is the first person to purchase this new Product from an authorized Remington dealer, distributor and/or retailer of such products. This limited warranty is non-transferable. Subject to the Exclusions and except as otherwise set forth herein, the limited warranty period for this new Product purchased by the Initial Purchaser is **three (3) years** from the date of purchase, as shown on the original sales receipt for the Product (“Warranty Period”).

### Defects In Workmanship Or Materials

Subject to the Exclusions and except as otherwise set forth herein, this Product is warranted to be free from manufacturing defects in either workmanship or materials for the Warranty Period. During the Warranty Period, Remington LLC will, at its option, either repair or replace any original part that is covered by this limited warranty and is determined to be defective in workmanship or material.

### To Qualify For This Limited Warranty, This Product:

1. Must have been purchased from an authorized retailer.
2. Must have been purchased within the United States or Canada by the Initial Purchaser.
3. Must have been used for residential (non-commercial) purposes only.
4. Must have been used in a manner consistent with the normal and proper intended use for this Product.

### Who Can Perform Repairs Under This Warranty?

In order to qualify for the limited warranty as set forth herein, the repairs made under this warranty must be performed by an authorized Remington warranty service provider.

### How To Get Service Under This Limited Warranty.

To locate a Remington warranty service provider, contact your authorized Remington dealer, distributor, or retailer or contact Remington LLC at P.O. Box 361032, Cleveland, Ohio 44136-0019 or call 1-866-206-2707 or log on to our website at [www.remingtonpowertools.com](http://www.remingtonpowertools.com). In Canada, contact MTD Products Limited, 97 Kent Avenue, Kitchener, ON N2G 3R2, or call 1-877-696-5533 or log on to the above website. This limited warranty is provided by Remington LLC and is the only product warranty provided by Remington LLC for this Product. A COPY OF YOUR SALES RECEIPT IS REQUIRED FOR WARRANTY SERVICE.

### What This Limited Warranty Does Not Cover.

#### This Limited Warranty Does Not Cover The Following (the “Exclusions”):

1. Product purchased outside of the United States or Canada.
2. Damage due to lack of maintenance and/or improper maintenance as described in the operator’s manual.
3. Normal wear and tear resulting from use of the Product.

4. Normal Wear Parts (as defined herein) are warranted to be free from defects in material and workmanship for a period of thirty (30) days from the date of original purchase by the Initial Purchaser. For the purpose of this Limited Warranty, "Normal Wear Parts" include, but are not limited to items such as: bump knobs, outer spools, cutting line, inner reels, starter pulleys, starter ropes, drive belts, saw chains, guide bars, cultivator tines and/or blades.
5. Use of the Product that is not consistent with the intended use thereof, as described in the operating instructions, including, but not limited to, abuse, misuse and/or neglect of the Product or any use inconsistent with and/or non-compliant with instructions contained in the operator's manual.
6. Any Product that has been altered or modified in a manner not consistent with the original design of the Product or in a manner not approved by Remington LLC.
7. Wheel rims (when so equipped), are covered for a period of three (3) months from the date of original purchase by the Initial Purchaser for manufacturing defects.
8. The battery supplied with this Product is warranted to be free from defects in material and workmanship for a period of **three (3) years** from the date of original purchase by the Initial Purchaser.
9. The battery charger supplied with this Product is warranted to be free from defects in material and workmanship for a period of **three (3) years** from the date of original purchase by the Initial Purchaser.

**This Warranty Does Not Cover And Remington LLC Disclaims Any Responsibility For Matters Including, But Not Limited To, The Following:**

1. Loss of time or loss of use of the Product.
2. Transportation costs and other expenses incurred in connection with the transport of the Product to and from the authorized Remington warranty service provider.
3. Any loss or damage to other equipment or personal items.
4. Damages caused by improper maintenance or the use of other than the specified fuel, oil or lubricants as approved in the operator's manual.
5. Damage resulting from the installation or use of any accessory or part not approved by Remington LLC for use with the Product.

**Limitations:**

1. THERE ARE NO IMPLIED WARRANTIES, INCLUDING, BUT NOT LIMITED TO, ANY IMPLIED WARRANTY OF MERCHANTABILITY OR FITNESS FOR A PARTICULAR PURPOSE. NO WARRANTY SHALL APPLY AFTER THE APPLICABLE WARRANTY PERIOD AS SET FORTH ABOVE AS TO THE PARTS AS IDENTIFIED. NO OTHER EXPRESS WARRANTY OR GUARANTY, WHETHER WRITTEN OR ORAL, EXCEPT AS MENTIONED ABOVE, GIVEN BY ANY PERSON OR ENTITY, INCLUDING A DEALER OR RETAILER, WITH RESPECT TO ANY PRODUCT SHALL BIND REMINGTON LLC. DURING THE WARRANTY PERIOD, THE EXCLUSIVE REMEDY IS REPAIR OR REPLACEMENT OF THE DEFECTIVE PART, AS SET FORTH ABOVE. (SOME STATES DO NOT ALLOW LIMITATIONS ON HOW LONG AN IMPLIED WARRANTY LASTS, SO THE ABOVE LIMITATION MAY NOT APPLY TO YOU.)
2. THE PROVISIONS AS SET FORTH HEREIN PROVIDE THE SOLE AND EXCLUSIVE REMEDY ARISING FROM THE SALE. REMINGTON LLC SHALL NOT BE LIABLE FOR INCIDENTAL OR CONSEQUENTIAL LOSS OR DAMAGES INCLUDING, WITHOUT LIMITATION, FOR TRANSPORTATION OR FOR RELATED EXPENSES, OR FOR RENTAL EXPENSES TO TEMPORARILY REPLACE A WARRANTED PRODUCT. (SOME STATES DO NOT ALLOW THE EXCLUSION OR LIMITATION OF INCIDENTAL OR CONSEQUENTIAL DAMAGES, SO THE ABOVE EXCLUSION OR LIMITATION MAY NOT APPLY TO YOU.)
3. In no event shall recovery of any kind be greater than the amount of the purchase price of the Product sold. Alteration of the safety features of the Product shall void this limited warranty. You assume the risk and liability for loss, damage, or injury to you and your property and/or to others and their property arising out of the use or misuse or inability to use the Product.

**How State Law Relates To This Warranty.**

This limited warranty gives you specific legal rights, and you may also have other rights, which vary from state to state.

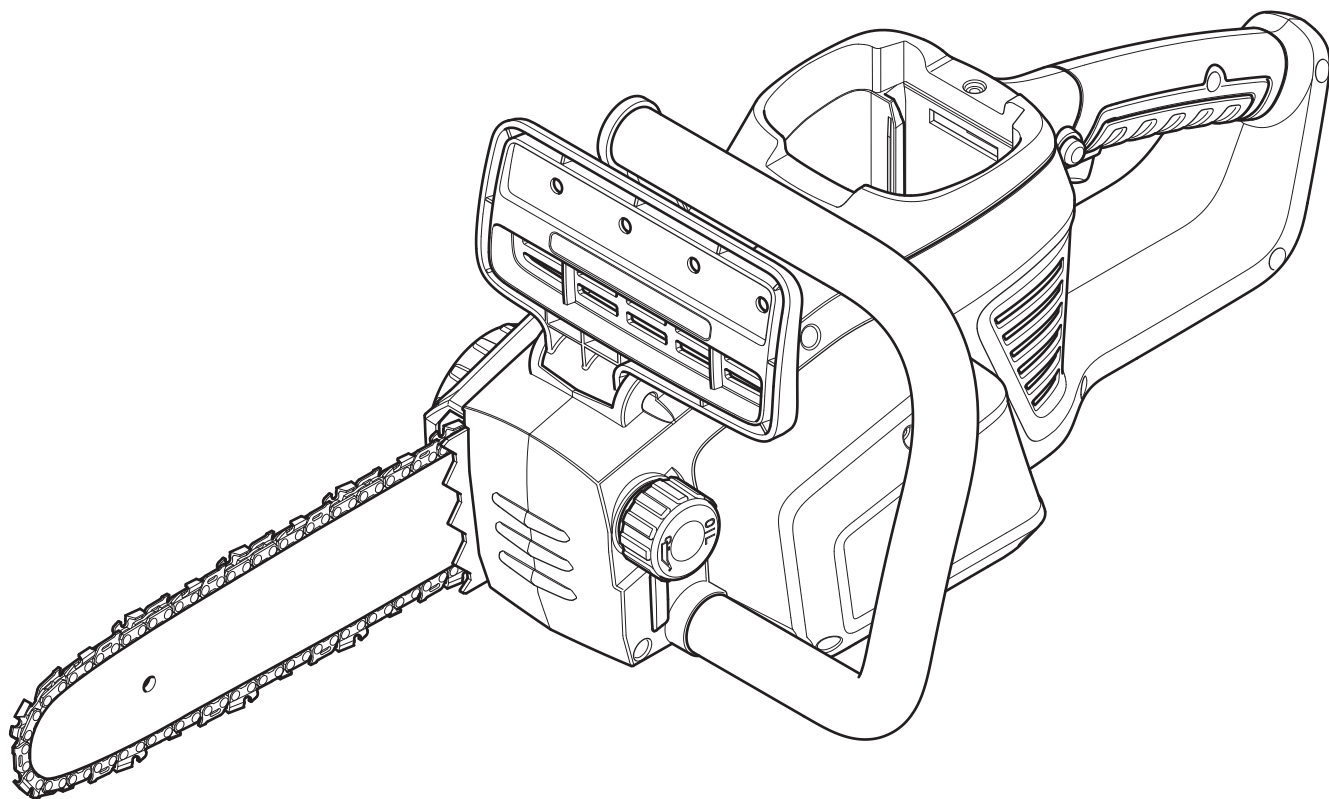
# **REMINGTON®**

## **Manuel de l'utilisateur**

TRADUCTION DES INSTRUCTIONS D'ORIGINE

### **RM4040 / RM4040B**

**Tronçonneuse sans fil**



### **CONSERVEZ CES INSTRUCTIONS**

**IMPORTANT : Lisez attentivement ce manuel avant d'utiliser ce produit. Respectez toutes les instructions.**

## TABLE DES MATIÈRES

Service .....	32
Sécurité .....	32
Familiarisez-vous avec votre appareil .....	41
Modalités et définitions essentielles .....	43
Spécifications .....	44
Assemblage .....	44
Démarrage et arrêt .....	46
Utilisation .....	47
Entretien .....	54
Nettoyage et entreposage .....	59
Résolution des problèmes .....	60
Garantie .....	61

**REMARQUE :** Ce manuel de l'opérateur couvre plusieurs modèles. Les fonctionnalités peuvent varier selon le modèle. Les fonctionnalités figurant dans ce manuel ne sont pas toutes applicables à tous les modèles. Le modèle présenté peut différer du vôtre.

Toutes les informations, illustrations et spécifications contenues dans ce manuel tiennent compte des dernières informations techniques disponibles au moment de mettre sous presse. Nous nous réservons le droit d'y apporter des modifications à tout moment, sans préavis.

Le produit peut varier légèrement par rapport aux illustrations du présent manuel.

Copyright © 2017 MTD SOUTHWEST INC., Tous droits réservés.

## SERVICE

**NE RAMENEZ PAS CET APPAREIL CHEZ LE DÉTAILLANT. UNE PREUVE D'ACHAT SERA EXIGÉE POUR TOUTE PRISE EN CHARGE DANS LE CADRE DE LA GARANTIE.**

Pour obtenir de l'aide sur l'assemblage, le fonctionnement ou la maintenance de l'appareil, veuillez composer le **1-866-206-2707** (aux États-Unis) ou le **1-877-696-5533** (au Canada). Des renseignements supplémentaires peuvent être trouvés sur le site **www.remingtonpowertools.com**.

Le service de garantie est disponible par l'intermédiaire d'un atelier de réparations agréé. Pour trouver un atelier de réparations dans votre région, veuillez consulter notre site Web ou composer le numéro indiqué ci-dessus. La réparation de cet appareil, à la fois pendant et après la période de garantie, ne doit être effectuée que par un atelier de réparation agréé approuvé. Utilisez uniquement des pièces de rechange identiques.

## SÉCURITÉ

Les symboles de sécurité visent à attirer votre attention sur les dangers éventuels. Vous devez accorder une attention particulière aux symboles de sécurité afin de bien les comprendre. Les avertissements de sécurité n'éliminent pas les dangers en eux-mêmes. Les instructions ou mises en garde ne remplacent en rien les mesures de prévention appropriées contre les accidents.

### SYMBOLE SIGNIFICATION

 **DANGER :** indique un danger **EXTRÊME**.  
Le non-respect d'un symbole de **DANGER** sur le plan de la sécurité **ENTRAÎNERA** des blessures graves, voire la mort pour vous ou pour autrui.

 **AVERTISSEMENT :** indique un danger **GRAVE**.  
Le non-respect d'un symbole d'**AVERTISSEMENT** sur le plan de la sécurité **PEUT** entraîner des blessures graves pour vous ou pour autrui.

 **ATTENTION :** indique un danger **MODÉRÉ**.  
Le non-respect d'un symbole de **ATTENTION** sur le plan de la sécurité **PEUT** entraîner des dommages matériels ou des blessures pour vous ou pour autrui.

**REMARQUE :** vous donne des informations ou des consignes essentielles pour l'utilisation ou l'entretien de l'équipement.



### PROPOSITION 65 DE LA CALIFORNIE

**AVERTISSEMENT :** Ce produit contient un composé chimique reconnu dans l'état de la Californie comme produit pouvant provoquer des cancers et des malformations congénitales et affecter l'appareil reproducteur.

**Lisez le manuel de l'utilisateur et suivez tous les avertissements et toutes les consignes de sécurité. Le non-respect de cette procédure peut entraîner des blessures graves pour l'opérateur ou les passants.**



# • CONSIGNES DE SÉCURITÉ IMPORTANTES •

## CONSIGNES GÉNÉRALES DE SÉCURITÉ DES OUTILS ÉLECTRIQUES



**AVERTISSEMENT** : Lire tous les avertissements et toutes les consignes de sécurité. Le non-respect des avertissements et instructions peut entraîner une décharge électrique, un incendie ou des blessures graves.

Conserver tous les avertissements et toutes les instructions à des fins de référence ultérieure.

Le terme « outil électrique » des avertissements se rapporte à vos outils secteur fonctionnant avec un cordon d'alimentation ou, sans fil, à batterie (sans fil).

### 1) Sécurité de la zone

- a) **La zone de travail doit être propre et bien éclairée.** Les endroits encombrés ou sombres sont propices aux accidents.
- b) **Ne pas utiliser l'appareil dans des atmosphères explosives, comme en présence de liquides inflammables, de gaz ou de poussières.** Les outils électriques créent des étincelles qui pourraient enflammer les poussières ou les vapeurs.
- c) **Garder les enfants et les autres personnes à l'écart en utilisant un outil électrique.** Les distractions peuvent vous faire perdre le contrôle.

### 2) Sécurité électrique

- a) **Les fiches des outils électriques doivent correspondre à la prise. Ne jamais modifier la fiche de quelque façon que ce soit. Ne pas utiliser d'adaptateur de fiche avec mise à la terre avec les outils électriques.** Des fiches non modifiées et des socles adaptés réduiront le risque de décharge électrique.
- b) **Éviter tout contact corporel avec des surfaces mises à la terre telles que des tuyaux, radiateurs, cuisinières et réfrigérateurs.** Il y a un risque accru de décharge électrique si votre corps entre en contact avec des objets mis à la terre.
- c) **Ne pas exposer les outils électriques à la pluie ou aux temps humides.** La pénétration d'eau dans un outil électrique augmente le risque de décharge électrique.
- d) **Ne pas maltraiter le cordon. Ne jamais utiliser le cordon pour transporter, tirer ou débrancher l'outil électrique. Garder les cordons à l'écart de la chaleur, de l'huile, de l'eau, des objets tranchants et des pièces en mouvement.** Les cordons endommagés ou emmêlés augmentent le risque de décharge électrique.
- e) **En faisant usage d'un outil électrique à l'extérieur, utiliser une rallonge convenant à un usage extérieur.** L'utilisation d'un cordon adapté à une utilisation extérieure réduit le risque de décharge électrique.
- f) **Si l'utilisation d'un outil électrique dans un endroit humide est inévitable, utilisez une alimentation protégée par une alimentation protégée par un disjoncteur de fuite de terre.** Utilisez un disjoncteur de fuite de terre pour réduire les risques de décharge électrique.

### 3) Sécurité personnelle

- a) **Demeurer alerte, regarder ce que vous faites et faites preuve de bon sens lorsque vous utiliser un outil électrique. Ne pas utiliser un outil lorsque vous êtes fatigué ou sous l'influence de drogues, d'alcool ou de médicaments.** Un moment d'inattention lors de l'utilisation d'outils électriques peut entraîner des blessures graves.

- b) **Utiliser du matériel de protection individuelle. Porter toujours des lunettes de protection.** Du matériel de protection comme un masque antipoussières, des chaussures de sécurité antidérapantes, un casque ou une protection auditive utilisés pour les conditions appropriées réduiront les blessures personnelles.
- c) **Éviter tout démarrage intempestif. Vérifier que l'interrupteur est en position d'arrêt avant de brancher l'outil à une source d'alimentation ou à une batterie, de le ramasser ou de le transporter.** Le fait de transporter les outils électriques en ayant le doigt posé sur l'interrupteur ou de mettre en marche des outils électriques dont l'interrupteur est en position de marche invite aux accidents.
- d) **Retirer toute clé ou clé de réglage avant de mettre l'outil en marche.** Un outil ou une clé de réglage fixé à une partie rotative de l'outil peut entraîner des blessures.
- e) **Ne pas vous pencher trop en avant. Conserver son équilibre en tout temps.** Cela assure un meilleur contrôle de l'outil électrique dans les situations imprévues.
- f) **Porter des vêtements appropriés. Ne pas porter de vêtements amples ni de bijoux. Garder les cheveux, les vêtements et les gants éloignés des pièces en mouvement.** Les vêtements amples, les bijoux ou les cheveux longs peuvent se prendre dans les pièces mobiles.
- g) **Si des dispositifs sont fournis pour le raccordement d'installations de dépoussiérage et de collecte, vérifier qu'ils sont connectés et correctement utilisés.** L'utilisation des collecteurs de poussière peut réduire les risques causés par la poussière.

### 4) Utilisation et d'entretien d'un outil électrique

- a) **Ne pas forcer un outil électrique. Utiliser l'outil électrique approprié à votre travail.** L'outil électrique adéquat fonctionnera mieux et plus sécuritairement à la vitesse pour laquelle il a été conçu.
- b) **Ne pas utiliser l'outil si le commutateur ne permet pas de le désactiver.** Tout outil qui ne peut pas être contrôlé par son interrupteur est dangereux et doit être réparé.
- c) **Débrancher la fiche de la source d'alimentation ou la batterie de l'outil électrique avant d'effectuer des réglages, de changer d'accessoire ou de ranger l'outil.** Ces mesures de sécurité préventives réduisent le risque de démarrage accidentel de l'outil.
- d) **Ranger les outils électriques inutilisés hors de la portée des enfants et ne pas laisser des personnes non familiarisées avec l'outil ou ces instructions utiliser l'outil électrique.** Les outils électriques sont dangereux dans les mains d'utilisateurs novices.
- e) **Entretenir les outils électriques. Vérifier l'alignement ou le grippage des parties mobiles, des pièces cassées ou toute autre condition pouvant perturber le fonctionnement de l'outil électrique. Si l'outil électrique est endommagé, le faire réparer avant de l'utiliser.** De nombreux accidents sont causés par des outils électriques mal entretenus.
- f) **Maintenir les outils de coupe propres et bien aiguisés.** Des outils soigneusement entretenus avec des bords aiguisés sont moins susceptibles de se coincer et sont plus faciles à contrôler.
- g) **Utiliser les outils électriques, les accessoires et les lames etc., conformément à ces instructions, en tenant compte des conditions de travail et du travail à effectuer.** L'utilisation de l'outil pour des activités différentes de celles prévues pourrait donner lieu à une situation dangereuse.

## 5) Utilisation et entretien d'un outil électrique fonctionnant sur batterie

- a) **N'utilisez que le chargeur spécifié par le fabricant pour recharger l'outil.** Un chargeur conçu pour un type de batterie peut créer un risque d'incendie lorsqu'il est utilisé avec un autre type de batterie.
- b) **N'alimentez les outils électriques qu'au moyen des batteries prévues spécifiquement à cet effet.** L'utilisation d'autres types de batteries augmente le risque de blessures et d'incendies.
- c) **Lorsque la batterie n'est pas dans l'appareil, gardez-la à l'écart de trombones, de pièces de monnaie, de clés, de clous, de vis ou d'autres petits objets métalliques susceptibles de connecter les deux pôles.** Court-circuiter les pôles de la batterie peut causer des brûlures ou un incendie.
- d) **Des projections de liquide sont susceptibles de se produire en cas d'utilisation abusive de la batterie. Dans l'éventualité de telles projections, évitez tout contact avec le liquide. En cas de contact accidentel, rincez abondamment la zone exposée à l'eau claire. Si du liquide entre en contact avec les yeux, rincez abondamment ces derniers à l'eau claire et consultez un médecin dans les meilleurs délais. Le liquide provenant de la batterie peut occasionner irritations et brûlures.**

## 6) Réparation ou entretien

- a) **Faire réparer ou entretenir votre outil électrique par un réparateur qualifié utilisant des pièces de rechange identiques.** Cela permettra d'assurer que la sécurité de l'outil électrique est maintenue.

### Avertissements de sécurité relatifs à la tronçonneuse :

- **Garder toutes les parties du corps à l'écart de la chaîne lorsque la tronçonneuse est en marche. Avant de mettre la tronçonneuse en marche, s'assurer que la chaîne ne touche à rien.** Un moment d'inattention lors de l'utilisation de scies à chaîne peut provoquer un enchevêtrement de vos vêtements ou votre corps avec la chaîne.
- **Toujours tenir la scie à chaîne avec votre main droite sur la poignée arrière et la main gauche sur la poignée avant.** Tenir la scie à chaîne avec une configuration de main inversée augmente le risque de blessure et ne devrait jamais être fait.
- **Comme la lame peut entrer en contact avec des fils cachés, maintenez uniquement l'outil par les surfaces de prise isolées.** Une scie à chaînes qui entre en contact avec un câble sous tension, mettra également sous tension les parties métalliques exposées de l'outil électrique et pourrait donner une décharge électrique à l'opérateur.
- **Porter des lunettes de sécurité et une protection auditive. Il est également recommandé de porter d'autres protections pour la tête, les mains, les jambes et les pieds.** Les vêtements de protection appropriés réduisent les blessures par projection de débris ou par contact accidentel avec la tronçonneuse.
- **Ne pas utiliser une scie à chaîne dans un arbre.** L'utilisation d'une tronçonneuse tout en se trouvant dans un arbre peut entraîner des blessures.
- **Toujours garder une bonne position stable et n'utiliser la tronçonneuse que lorsque debout sur une surface plane et stable.** Les surfaces glissantes ou instables, des échelles par exemple, peuvent entraîner une perte de l'équilibre ou du contrôle de la scie à chaîne.
- **Faire preuve d'extrême prudence, lorsque vous coupez une branche qui est sous tension.** Lorsque la tension des fibres du bois se relâche, la branche peut frapper l'opérateur ou lui faire perdre le contrôle de la tronçonneuse.

- **Faire preuve d'extrême prudence lors de la coupe de broussailles et de jeunes arbres.** Le matériau mince peut prendre dans la chaîne de la tronçonneuse et être attiré vers vous ou vous faire perdre l'équilibre.
- **Transporter la tronçonneuse par la poignée avant alors la chaîne est désactivée et à l'écart de votre corps. Lors du transport ou du rangement de la tronçonneuse, toujours la recouvrir du couvercle de la barre de guidage.** Une manipulation adéquate de la tronçonneuse permettra de réduire la probabilité de contact accidentel avec la chaîne de la scie en mouvement.
- **Suivre les instructions de lubrification, de tension de la chaîne et de changement des accessoires.** Une chaîne mal tendue ou mal lubrifiée peut casser ou augmenter le risque de rebond.
- **Garder les poignées sèches, propres et exemptes d'huile et de graisse.** Les poignées graisseuses ou huileuses sont glissantes, ce qui entraîne une perte de contrôle.
- **Couper du bois uniquement. Ne pas utiliser une scie à chaîne à d'autres fins que celles prévues. Par exemple : Ne pas utiliser l'appareil pour couper du plastique, de la maçonnerie ou d'autres matériaux de construction autres que le bois.** L'utilisation de la tronçonneuse pour des activités différentes de celles prévues pourrait donner lieu à une situation dangereuse.

### Causes du rebond et prévention par l'opérateur :

Le rebond peut se produire lorsque le nez ou l'extrémité de la tige de guidage touche un objet ou lorsque le bois se referme et pince la chaîne de la tronçonneuse pendant la coupe.

Le contact de la pointe peut, dans certains cas, provoquer une soudaine réaction inverse, retournant la chaîne vers le haut et vers l'opérateur.

Le pincement de la chaîne le long du haut de la tige de guidage peut rapidement repousser la tige de guidage vers l'opérateur.

Chacune de ces réactions peut causer une perte de contrôle de la scie, ce qui pourrait vous causer des blessures graves. Ne pas compter exclusivement sur les dispositifs de sécurité intégrés à la scie. À titre d'utilisateur de scie à chaîne, vous devez prendre plusieurs précautions pour éviter tout accident et toute blessure pendant vos travaux de coupe.

Le rebond est le résultat d'une mauvaise utilisation de l'outil ou de méthodes ou de conditions d'utilisation inadéquates, et il peut être évité en prenant les précautions adéquates indiquées ci-dessous :

- **Toujours avoir une prise solide, avec les pouces et les doigts refermés sur les deux poignées, avec les deux mains sur la scie et en maintenant la position de votre corps et de vos bras pour vous permettre de résister aux forces de rebond.** Les forces de rebond peuvent être contrôlées par l'opérateur s'il prend les précautions nécessaires. Ne pas lâcher la tronçonneuse.
- **Ne pas vous pencher trop en avant et ne pas couper à une hauteur supérieure aux épaules.** Cela permet d'éviter tout contact involontaire avec la pointe et permet de mieux contrôler la tronçonneuse dans des situations inattendues.
- **N'utiliser que les barres et les chaînes précisées par le fabricant.** Des barres et chaînes de rechange inadéquates peuvent provoquer la rupture ou le rebond de la chaîne.
- **Suivre les instructions du fabricant en matière d'affûtage et d'entretien de la chaîne de scie.** La diminution de la hauteur de la mesure de profondeur peut entraîner une augmentation du rebond.



**AVERTISSEMENT :** Lire tous les avertissements et toutes les instructions de sécurité. Ne pas suivre les avertissements et les instructions peut entraîner une décharge électrique, un incendie et des blessures graves.

## LISEZ TOUTES LES INSTRUCTIONS AVANT L'UTILISATION

1. **CONSERVER CES INSTRUCTIONS** - Ce manuel contient des consignes de sécurité et d'utilisation importantes.
2. Avant d'utiliser ce produit, lire toutes les instructions et les avertissements concernant la batterie, le chargeur de batterie et l'appareil alimenté par batterie.
3. Ne manipulez pas le chargeur, y compris sa fiche et ses bornes, avec des mains humides.
4. Ne chargez pas l'appareil à l'extérieur.



**AVERTISSEMENT :** Utilisez uniquement des batteries RM4130, RM4140 ou RM4150 avec cet appareil. **NE PAS** utiliser tout autre type de batterie ou d'accessoires avec cet appareil. D'autres types de batteries ou d'accessoires pourraient causer des blessures graves, des dégâts matériels ou des dommages à l'appareil.

**REMARQUE :** Bien que cette unité puisse utiliser la batterie RM4130, ce n'est pas recommandé. Pour une meilleure performance, utilisez toujours une batterie RM4140 ou RM4150 avec cette unité.



**AVERTISSEMENT :** Utiliser uniquement un chargeur de batterie RM4110 pour charger des batteries RM4130, RM4140 ou RM4150. **NE PAS** tenter d'utiliser un autre chargeur de batterie pour charger des batteries RM4130, RM4140 ou RM4150. D'autres types de chargeurs de batterie peuvent causer l'explosion des piles et provoquer un incendie, des blessures ou dommages à la propriété.



**AVERTISSEMENT :** Utiliser uniquement un chargeur de batterie RM4110 pour charger des batteries RM4130, RM4140 ou RM4150. **NE PAS** tenter de charger d'autres batteries avec un chargeur de batterie RM4110. D'autres types de piles peuvent éclater, causant un incendie, des blessures ou des dommages matériels.

## CONSIGNES GÉNÉRALES DE SÉCURITÉ

- Veuillez lire soigneusement ces instructions. Familiarisez-vous avec les commandes et l'utilisation correcte de l'appareil. Sachez comment arrêter l'appareil et désengager rapidement les commandes.
- Demeurer attentif. Ne faites pas fonctionner cet appareil lorsque vous êtes fatigué, malade ou sous l'influence d'alcool, de drogues ou de médicaments.
- Ne laissez jamais les enfants utiliser l'appareil. Les adolescents doivent être formés, accompagnés et guidés par un adulte. Ne permettez jamais aux adultes d'utiliser l'appareil sans avoir lu les instructions appropriées.
- Tous les carters et dispositifs de sécurité doivent être correctement installés avant l'utilisation de cet appareil.
- Inspectez l'appareil avant l'utilisation. Vérifier si des pièces sont endommagées. S'assurer que toutes les pièces fonctionnent correctement. Assurez-vous que toutes les fixations sont en place et bien serrées. S'assurer que toutes les pièces mobiles sont correctement alignées et ne sont pas liées. Remplacez les pièces fissurées, ébréchées ou endommagées d'une manière ou d'une autre. Faire réparer ou remplacer toutes les pièces endommagées fonctionnant mal par un atelier de réparation autorisé. Ne faites pas fonctionner l'appareil avec des pièces lâches ou endommagées.
- Vous devez être conscient des risques de blessures à la tête, aux mains et aux pieds.
- Inspectez attentivement la zone de travail avant de démarrer l'appareil. Retirez les pierres, le verre cassé, les clous, les fils, les ficelles et autres objets qui peuvent être projetés ou s'enrouler dans l'appareil.
- Éloignez les enfants, les passants et les animaux domestiques ; ils doivent rester dans un rayon d'au moins 15 mètres (50 pieds). Même à cette distance, il existe néanmoins un risque de projectiles pour les personnes à proximité. Encouragez-les à porter des lunettes de sécurité. Si quelqu'un s'approche de vous, arrêtez immédiatement l'appareil.
- Cet appareil est uniquement destiné à un usage domestique occasionnel.
- Ne laissez pas l'appareil être utilisé comme un jouet.

## AVERTISSEMENTS DE SÉCURITÉ CONCERNANT LES UNITÉS ÉLECTRIQUES

### Sécurité électrique générale

- N'exposez pas l'appareil à la pluie ou par temps humide. Rangez l'appareil à l'intérieur.
- N'actionnez pas l'appareil avec les mains mouillées.
- Évitez les environnements dangereux. N'utilisez pas l'appareil sous la pluie, par temps humide ou sur des surfaces humides. L'humidité constitue un risque d'électrocution.
- Pour réduire le risque de décharge électrique, évitez tout contact corporel avec des conducteurs de terre, comme les tuyaux métalliques ou les grillages.
- N'utilisez pas l'appareil dans des atmosphères explosives, comme en présence de liquides inflammables, de gaz ou de poussières.

### Sécurité du chargeur de batterie

- Respectez toutes les instructions de chargement. Ne chargez pas la batterie en dehors de la plage de température précisées dans ces instructions. Une mauvaise charge de la batterie ou un rechargement à l'extérieur de la plage de température précisée peut endommager la batterie et augmenter le risque d'incendie.
- Une plaque signalétique sur l'appareil indique la tension utilisée. Ne branchez jamais l'appareil à une tension alternative qui diffère de cette tension.

- Un cordon prolongateur ne devrait être utilisé qu'en cas d'absolue nécessité. L'utilisation d'un cordon prolongateur inadéquat peut entraîner un risque d'incendie, de décharge électrique ou d'électrocution.
- N'utilisez pas plusieurs cordons prolongateurs.
- Assurez-vous que le cordon prolongateur est de calibre adéquat pour le courant consommé par l'appareil. Un cordon à la capacité insuffisante causerait une baisse de tension entraînant une perte de puissance et une surchauffe. En cas de doute, utilisez le cordon prolongateur du calibre supérieur. Plus le chiffre est petit, plus le calibre est élevé.

<b>CALIBRE MINIMAL DES CORDONS PROLONGATEURS D'APPAREILS DE 120 VOLTS UTILISANT DE 0 À 6 AMPÈRES</b>				
Longueur du cordon (pieds)	25	50	100	150
Calibre du cordon (AWG)	16	16	16	14

- Assurez-vous que les cordons prolongateurs sont en bon état. Inspectez régulièrement le fil d'alimentation et le cordon prolongateur. Observez attentivement toute détérioration, coupure ou fissure de l'isolation. Si un cordon est endommagé de quelque manière que ce soit tout en étant branché, débranchez-le de la prise et de l'appareil. N'utilisez pas un cordon endommagé. Les cordons endommagés doivent être réparés ou remplacés.
- Ne pas abuser des cordons. Ne tirez ni ne transportez jamais l'appareil par le cordon. Gardez les cordons à l'écart de la chaleur, de l'huile, de l'eau, des objets tranchants et des objets en mouvement. Saisissez toujours la fiche pour débrancher le cordon.
- Ne modifiez jamais une fiche, un cordon ou une prise en aucune façon.
- La protection du disjoncteur de fuite à la terre doit être prévue sur les circuits ou sur les prises pour être utilisée avec cet appareil. Par mesure de sécurité supplémentaire, utilisez des prises avec une protection de disjoncteur de fuite à la terre intégrée.
- Ne placez pas le chargeur de batterie de manière à éviter qu'il soit possible de marcher sur le cordon, de trébucher dessus, ou de l'endommager.
- Ne chargez pas la batterie sous la pluie ou par temps humide. Gardez le chargeur de batterie dans un endroit frais et sec.
- Gardez le chargeur de batterie à l'écart de tout liquide.
- Ne laissez pas de petits objets métalliques ou de matériaux tels que la laine d'acier, le papier d'aluminium ou d'autres particules étrangères pénétrer dans le port du chargeur.
- Ne sondez pas le chargeur avec un matériau conducteur. Il y a un risque de décharge électrique.
- Ne couvrez pas le chargeur de batterie. Le chargeur de batterie peut surchauffer.
- Ne laissez pas la batterie ou le chargeur de batterie surchauffer. S'ils sont chauds, laissez-les refroidir. Ne chargez les batteries dans des températures comprises entre 0 °C et 40 °C (32 ° et 104 °F).
- Débranchez toujours le chargeur avant de le nettoyer. Débranchez toujours le chargeur de batterie quand il n'est pas utilisé.

#### **Sécurité de la batterie**

- Ne pas exposer la batterie au feu ou à des températures supérieures à 80 °C (176 °F). Cela pourrait provoquer une explosion.
- Manipulez les batteries avec soin. Ne court-circuitez pas avec des matériaux conducteurs tels que bagues, bracelets, clés, etc. Un court-circuit de la batterie peut causer des blessures, des dommages à la batterie ou un incendie.
- Lorsque la batterie n'est pas en cours d'utilisation, tenez-la éloignée des petits objets métalliques tels que les trombones, les pièces de monnaie, les clous, etc. Ces articles pourraient connecter un terminal à un autre et les court-circuiter.
- N'essayez pas de charger une batterie fissurée ou endommagée.

- N'utilisez pas de batterie modifiée ou endommagée. Cela pourrait provoquer un incendie, une explosion ou des blessures.



**AVERTISSEMENT :** La batterie peut présenter un risque d'incendie ou de brûlure chimique si elle est mal manipulée. Ne démontez, chauffez ou incinérez pas la batterie. La batterie peut développer une petite fuite lors d'utilisation ou de conditions de température extrêmes.


**Si du liquide à batterie entre en contact avec la peau :**

- Lavez immédiatement la zone touchée avec de l'eau et du savon.
- Neutralisez le liquide à batterie avec un acide doux (jus de citron, vinaigre, etc.).
- Consultez immédiatement un médecin.


**Si du liquide à batterie pénètre dans les yeux :**

- Rincez immédiatement les yeux avec de l'eau propre, et ce, pendant au moins 15 minutes.
- Consultez immédiatement un médecin.


#### **ÉLIMINATION DES PILES ENDOMMAGÉES OU USÉES**



**AVERTISSEMENT :** Le matériau toxique et corrosif suivant est utilisé dans la batterie de cet appareil :  
LITHIUM-ION, une substance toxique.



**AVERTISSEMENT :** Pour prévenir la contamination de l'environnement, contactez votre agence de recyclage des déchets pour obtenir des instructions particulières avant de disposer de batteries lithium-ion endommagées ou usées. Apportez les batteries dans un centre de recyclage/d'élimination local, homologué pour l'élimination de batterie lithium-ion.



**AVERTISSEMENT :** N'utilisez pas de piles cassées ou fissurées, et ce, même s'il n'y a pas de fuite. Remplacez les piles endommagées ou usées avec des piles neuves. **NE TENTEZ PAS DE RÉPARER LES BATTERIES!** En raison des risques d'explosion ou d'électrocution, les tentatives de réparation peuvent entraîner des blessures graves.

Pour éviter les blessures et les dommages à l'environnement :

- N'essayez pas d'enlever ou de détruire les composants de la batterie. N'ouvrez ni n'endommagez pas la batterie. En cas de fuite, les électrolytes libérés sont corrosifs et toxiques. Gardez la solution éloignée des yeux ou de la peau, et ne l'avalez pas.
- Ne jetez pas la batterie avec les ordures ménagères.
- Ne jetez pas la batterie dans un feu. La cellule peut exploser.
- Ne jetez pas la batterie là où elle fera partie d'un site d'enfouissement de déchets ou de flux de déchets solides urbains.
- Recouvrez les bornes de la batterie avec du ruban adhésif de qualité industrielle.
- Jetez la batterie usagée conformément aux réglementations fédérale, provinciale et locale.
- Jetez rapidement la batterie.



## À propos des seaux de batterie Call2Recycle

Le programme d'intendance de l'industrie de Call2Recycle aide les fabricants de produits et de batteries à répondre aux exigences de recyclage des États-Unis et du Canada, entre autres en ce qui a trait au respect de vastes règlements étatiques, provinciaux et fédéraux, comme la Loi des batteries rechargeable et contenant du mercure (Loi sur les batteries). Les titulaires de licences/intendants de l'industrie, fabricants et commerçants de batterie et de produit Call2Recycle<sup>MD</sup> participants achètent les droits d'imprimer les seaux de batterie Call2Recycle sur leurs piles et produits rechargeables. Quand vous voyez le sceau de batterie Call2Recycle, vous pouvez avoir confiance, en sachant que votre batterie ou produit peuvent être recyclés en toute sécurité et de façon responsable.

## À propos de Call2Recycle

Depuis 1994, Call2Recycle a détourné plus de 75 millions de livres de batteries rechargeables des sites d'enfouissement locaux et a mis en place un réseau de 30 000 points de recyclage. Plus de 200 fabricants de produits et de batteries, les intendants de l'industrie Call2Recycle, se sont unis pour faire en sorte que les piles sont recyclées de façon responsable quand elles atteignent leur fin de vie et pour financer le programme qui est exploité par Call2Recycle, Inc., un organisme de service public à but non lucratif 501(c)4.

Pour trouver le centre de recyclage le plus proche, veuillez composer le **1-800-822-8837**.

## DÉCLARATION DE LA FCC



**REMARQUE :** Cet équipement a été testé et s'est avéré conforme aux limites pour un appareil numérique de classe B, conformément à la partie 15 des règles de la FCC. Ces limites sont conçues pour fournir une protection raisonnable contre les interférences nuisibles dans une installation résidentielle. Cet équipement génère, utilise et peut émettre des fréquences radio et, s'il n'est pas installé et utilisé conformément aux instructions, il peut causer des interférences nuisibles pour les communications radio. Cependant, il n'existe aucune garantie que des interférences ne se produiront pas dans une installation particulière. Si cet équipement provoque des interférences nuisibles à la réception radio ou télévisuelle, ce qui peut être déterminé en l'éteignant et le rallumant, l'utilisateur est encouragé à essayer de corriger l'interférence par une ou plusieurs des mesures suivantes :

- Réorientez ou déplacez l'antenne de réception.
- Augmentez la distance entre le matériel et le récepteur.
- Connectez le matériel à une sortie sur un circuit différent de celui sur lequel est branché le récepteur.
- Consultez le revendeur ou un technicien radio/télévision expérimenté.

## PENDANT L'UTILISATION



- Portez des lunettes de sécurité conformes aux normes ANSI / ISEA Z87.1 en vigueur et marquées comme telles. Portez une protection auditive pendant l'utilisation de cet appareil. Portez un écran facial ou un masque antipoussières si la tâche est poussiéreuse. Utilisez un casque protecteur ou tout autre type de casque de sécurité. La chute des débris peut entraîner des blessures graves.
- Portez des chaussures de sécurité et gants de protection. Portez des vêtements épais, bien ajustés, y compris un long pantalon et une chemise à manches longues. Ne portez pas des vêtements amples, des bijoux, un pantalon court, des sandales et ne travaillez pas pieds nus. Attachez vos cheveux au-dessus des épaules.
- Utilisez l'appareil uniquement en plein jour ou avec un bon éclairage artificiel.
- Évitez de démarrer l'unité involontairement. L'opérateur et l'appareil doivent être dans une position stable pendant le démarrage. Consultez les sections *Mise en marche et Arrêt*.
- Utilisez le bon outil. N'utilisez cet outil que pour son usage prévu : couper du bois. N'utilisez pas l'appareil pour couper du plastique, de la maçonnerie ou d'autres matériaux de construction autres que le bois. N'utilisez l'appareil que de la façon décrite dans ce manuel.
- Garder les cheveux, le visage, les mains, les pieds et toutes les autres parties du corps à l'écart de la chaîne de la scie lorsque l'appareil est en marche. Ne touchez pas ou n'essayez pas d'arrêter des pièces en mouvement.
- N'utilisez pas l'appareil à une vitesse supérieure à celle nécessaire pour réaliser le travail. Ne faites pas fonctionner l'appareil à haute vitesse quand vous ne l'utilisez pas.
- Ne forcez pas l'appareil, surtout vers la fin de la coupe. Il sera plus efficace et plus sûr si vous l'utilisez à la vitesse pour laquelle il a été conçu.
- Éteignez toujours l'appareil lorsque l'opération est retardée ou lorsque vous transportez l'appareil d'un endroit à l'autre.
- Avant de déposer l'appareil, éteignez-le toujours et attendez que toutes les pièces en mouvement s'arrêtent complètement.
- Ne faites pas fonctionner un appareil qui est endommagé, mal réglé ou non complètement et solidement assemblé. Assurez-vous que les pièces mobiles s'arrêtent lorsque l'appareil est éteint. N'utilisez pas l'appareil s'il ne s'allume ou ne s'éteint pas correctement. Faire remplacer les pièces défectueuses de l'appareil par un atelier de réparation certifié.
- Évitez de démarrer l'unité involontairement. Assurez-vous que le bouton de verrouillage est en position verrouillée avant d'installer ou d'enlever la batterie. Ne jamais transporter l'appareil en ayant les doigts sur la détente.
- Retirez la batterie de l'appareil lorsqu'il n'est pas utilisé.
- Ne pas utiliser l'appareil si la détente et le verrouillage de la détente ne permettent pas de démarrer et d'arrêter l'appareil.
- Si l'appareil frappe un objet étranger ou s'enchevêtre dans celui-ci, arrêtez immédiatement le moteur, retirez la batterie et laissez l'appareil refroidir. Ensuite, vérifiez les dégâts. S'il est endommagé, ne redémarrez pas ni n'utilisez l'appareil jusqu'à ce qu'il soit réparé. N'utilisez pas l'appareil quand des pièces sont desserrées ou endommagées.
- Utilisez uniquement des pièces et des accessoires de rechange du fabricant d'origine pour cet appareil. Ils sont disponibles auprès d'ateliers de réparations agréés. L'utilisation d'autres pièces ou accessoires pourrait entraîner de graves blessures de l'utilisateur ou endommager l'appareil, et annuler la garantie.

- L'appareil doit rester propre. Arrêtez le moteur, enlevez la batterie et laissez l'appareil refroidir. Retirez avec précaution la végétation et autres débris qui pourraient bloquer les pièces mobiles.
- Si l'appareil commence à vibrer anormalement, arrêtez le moteur, enlevez la batterie et laissez l'appareil refroidir. Inspectez l'appareil pour découvrir l'origine des vibrations. Les vibrations indiquent en général un problème.

## SÉCURITÉ DE LA TRONÇONNEUSE

- Assurez-vous que la lame n'entrent pas en contact avec quoi que ce soit avant de mettre en marche l'unité.
- Lorsque vous transportez l'appareil, le maintenir éloigné du corps, avec la barre de guidage placée à l'arrière. En transportant l'appareil, couvrez le guide et la chaîne avec le fourreau. Maintenir l'appareil par la poignée avant.
- Gardez la zone de travail propre. Les endroits encombrés favorisent les accidents. Ne commencez pas à couper avant que la zone de travail soit dégagée et libre de tout obstacle. Assurez-vous d'avoir une position stable et qu'une voie de retraite soit prévue en raison de chutes de branches.
- Ne coupez pas à proximité de câbles électriques ou de lignes à haute tension. Demeurez à au moins 15 m (50 pi) de toutes les lignes électriques.
- Pour un rendement plus sûr et plus efficace, assurez-vous que la tige de guidage et la chaîne sont correctement nettoyées, lubrifiées, serrées et aiguisées. Vérifiez fréquemment que le réglage de la tige de guidage et de la chaîne est correct.
- Lorsque vous coupez une branche sous tension, soyez très prudent. Lorsque la tension est relâchée, la branche pourrait rebondir et frapper l'opérateur, causant des blessures graves voire la mort.
- Faites preuve de prudence lors de la coupe de broussailles et arbrisseaux de petite taille, puisque les matériaux plus minces peuvent se prendre dans la chaîne et être projetés vers l'opérateur ou déséquilibrer l'opérateur.
- Cette scie est classée dans la Catégorie 2C par UL, et ce, conformément à la norme CSA Z62.1-03. Elle est destinée à une utilisation peu fréquente par les propriétaires, les propriétaires de chalets et campeurs, et pour des applications générales telles que l'éclaircissement, la taille et la coupe du bois de chauffage, etc. Elle n'est pas conçue pour une utilisation prolongée. Si l'utilisation prévue implique de longues périodes de fonctionnement, les vibrations pourraient causer des problèmes circulatoires dans les mains de l'utilisateur. Prenez des pauses fréquentes et ajustez votre position de travail, au besoin.
- N'utilisez pas l'appareil dans un arbre ou sur une échelle à moins d'être spécifiquement formé pour le faire.
- N'utilisez pas l'appareil en présence de liquides ou de gaz inflammables.
- Ne tentez pas d'effectuer des opérations dépassant les capacités ou l'expérience de l'opérateur.
- Pendant le transport et le stockage, utilisez toujours le fourreau sur la tige de guidage et la chaîne.
- Ne retirez pas le matériau coupé ou ne le retenez pas pour le couper lorsque les lames sont en mouvement. Éteignez toujours l'appareil, attendez que la chaîne de scie s'arrête complètement et retirez la batterie avant de nettoyer les matériaux bloqués. Un moment d'inattention peut entraîner des blessures graves.

## SÉCURITÉ EN MATIÈRE DE REBOND



**AVERTISSEMENT :** Le rebond peut se produire lorsque le nez ou l'extrémité de la tige de guidage touche un objet ou lorsque le bois se referme et pince la chaîne de la tronçonneuse dans la coupe. Dans certains cas, ce contact peut provoquer une ultrarapide action inverse, repoussant rapidement la tige de guidage vers l'opérateur. Le pincement de la chaîne le long du haut de la tige de guidage peut rapidement repousser la tige de guidage vers l'opérateur. Chacune de ces réactions peut causer une perte de contrôle de la scie, ce qui pourrait causer des blessures graves à l'utilisateur. Le contact avec des corps étrangers dans le bois peut également induire une perte de commande de la tronçonneuse.

### Comprendre le rebond

Une compréhension de base du rebond peut aider à réduire ou à éliminer l'élément de surprise et le risque de blessure y étant lié. Les surprises contribuent aux accidents.

- **Le rebond de rotation** peut se produire lorsque la pointe supérieure de la tige de guidage entre en contact avec un objet alors que la chaîne est en mouvement (Fig. A). Cela peut causer l'enfoncement de la chaîne dans l'objet et l'arrêter momentanément de bouger. La tige de guidage est ensuite soulevée et repoussée vers l'utilisateur en une réaction inverse ultrarapide.
- **Les rebonds linéaires** Un rebond peut se produire lorsque le bois de chaque côté d'une entaille se referme et pince la chaîne mobile le long de la partie supérieure du guide. (Fig. B). Cela peut causer l'arrêt instantané de la chaîne. La force de la chaîne est alors inversée, ce qui provoque le déplacement de la scie en sens inverse, envoyant la scie vers l'arrière, en direction de l'opérateur.
- **La rétraction** peut se produire lorsque la chaîne au fond de la tige de guidage frappe un corps étranger à l'intérieur du bois. Cela peut causer l'arrêt soudain de la chaîne. La scie est ensuite tirée vers l'avant et à l'écart de l'opérateur, ce qui pourrait entraîner la perte de contrôle de la scie.

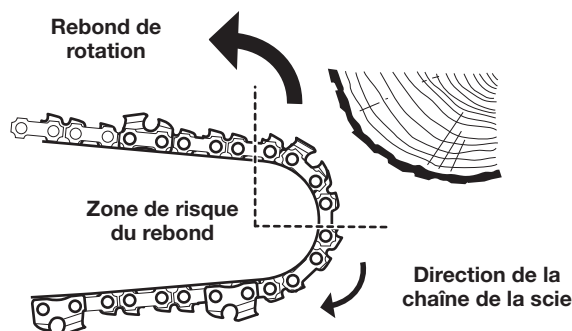


Fig. A

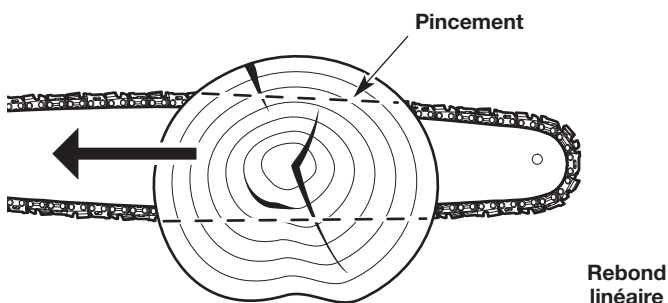


Fig. B

## Consignes de sécurité en matière de rebond

Prenez les mesures suivantes pour réduire le risque d'accident ou de blessure :

- Ne comptez pas exclusivement sur les dispositifs de sécurité intégrés à l'appareil.
- Ne vous penchez pas trop en avant. Conservez toujours une position stable et un bon équilibre. Redoublez de prudence lorsque vous travaillez dans des escaliers, des pentes ou des rampes abruptes. Ne coupez pas à une hauteur supérieure aux épaules.
- Ne coupez pas avec la pointe du guide.
- Assurez-vous que la zone d'opération est libre de tout obstacle. Ne laissez pas la pointe de la tige de guidage entrer en contact avec un objet, comme une bûche, une branche du sol ou tout autre obstacle.
- Inspectez toujours le bois avant de le couper. Des corps étrangers pourraient endommager l'appareil ou provoquer des blessures graves. Ne coupez jamais les clous, les tiges métalliques, les traverses ou les palettes.
- N'actionnez pas l'appareil avec une seule main! Des blessures graves à l'opérateur, aux aides ou aux passants peuvent résulter de l'utilisation d'une seule main. Cet appareil est conçu pour une utilisation à deux mains. Saisissez toujours fermement l'appareil avec les deux mains lorsqu'il est en marche. Ne laissez pas aller. Une prise ferme vous aidera à garder le contrôle de l'appareil et à réduire le risque de rebond. Saisissez la poignée avant avec la main gauche et la poignée arrière avec la main droite. Encercliez fermement la poignée avec tous les doigts de la main.
- Tenez-vous légèrement à la gauche de l'appareil pour éviter d'être dans la ligne directe de la chaîne.
- Ne démarrez jamais la tronçonneuse lorsque la tige de guidage est à l'intérieur d'une entaille. Soyez extrêmement prudent lorsque vous réintégrez une coupe.
- Commencez toujours à couper alors que l'unité fonctionne à pleine vitesse. Maintenir une vitesse de coupe constante. Les vitesses plus lentes augmentent le risque de rebond.
- Gardez le logement de la scie appuyé fermement contre le bois.
- Ne coupez pas plus d'une bûche ou d'une branche à la fois.
- Ne tournez pas l'appareil en retirant le guide-chaîne d'une coupe.
- Méfiez-vous des déplacements d'objets (bûches, branches, etc.) qui pourraient bloquer ou tomber sur la chaîne en cours de fonctionnement.
- N'utilisez que des cales en bois ou en plastique. N'utilisez pas de métal pour maintenir une entaille ouverte.
- Suivez les instructions du fabricant en matière d'affûtage et d'entretien de la chaîne de scie.
- N'utilisez que des barres et des chaînes spécifiées par le fabricant, ou l'équivalent. Ils sont disponibles auprès d'ateliers de réparations agréés. L'utilisation de pièces ou d'accessoires non autorisés peut entraîner des blessures sérieuses à l'opérateur ou endommager l'appareil et annuler la garantie.
- Utilisez des dispositifs qui permettent de réduire les risques associés à un rebond, comme des chaînes à faible rebond, des protège-nez de guide-chaîne, des freins de la chaîne et des guide-chaîne à faible rebond. Selon la norme CSA Z62.3, il n'existe aucune autre pièce de rechange pour assurer la protection d'un rebond.
- Une chaîne à faible tendance au rebond qui a satisfait aux conditions de fonctionnement de la norme ANSI/OPEI B175.1-2012 lorsqu'elle est testée selon les dispositions spécifiées dans la norme ANSI/OPEI B175.1-2012. Une scie à chaîne à faible rebond est une chaîne qui est également conforme à la norme CSA Z62.3. N'utilisez pas une chaîne de remplacement à moins qu'elle n'ait satisfait à ces exigences pour ce modèle en particulier ou qu'elle ait été désignée comme chaîne à faible tendance au rebond de remplacement conformément à la norme ANSI/OPEI B175.1-2012. Tandis que les chaînes de scie sont aiguisées, certaines des qualités de faible risque de rebond sont perdues et des précautions particulières doivent être prises.

- N'installez pas une barre en boucle sur cet appareil. Les barres en boucle ont de plus grandes zones de rebond, ce qui augmente le risque de rebond et de blessures graves. Cette augmentation n'est pas significativement réduite en utilisant une chaîne à faible tendance au rebond. L'utilisation d'une barre en boucle sur cet appareil est extrêmement dangereuse.

## AUTRES AVERTISSEMENTS DE SÉCURITÉ







- Maintenez l'unité avec soin. Suivez toutes les instructions d'entretien de ce manuel.
- N'effectuez pas de procédures de maintenance autres que celles décrites dans ce manuel. Ne tentez pas de réparer l'appareil, il ne contient aucune pièce réparable par l'utilisateur. Tous les services d'entretien courant, autres que les procédures de maintenance décrites dans ce manuel, doivent être effectués par un atelier de réparation agréé.
- N'utilisez pas l'appareil s'il ne fonctionne pas correctement, s'il a été échappé, laissé à l'extérieur ou s'il est tombé dans l'eau. Faire réparer l'appareil par un atelier de réparation agréé.
- Ne retirez, modifiez ou rendez jamais inopérant tout dispositif de sécurité fourni avec l'appareil.
- Avant une inspection, un entretien, un nettoyage, un entreposage, un transport ou le remplacement d'une pièce de l'appareil :
  1. Arrêtez le moteur. Consultez les sections *Mise en marche et Arrêt*.
  2. Attendez que toutes les pièces mobiles s'arrêtent.
  3. Enlevez la batterie.
  4. Laissez l'appareil refroidir.
- Assurez-vous que l'appareil est sécurisé pour les transports.
- Rangez l'appareil dans un endroit sec et sûr ou en hauteur pour éviter une utilisation non autorisée ou des dommages. Gardez toujours l'appareil hors de portée des enfants.
- N'arrosez jamais l'appareil avec de l'eau ou tout autre liquide. Évitez que de l'eau ne pénètre dans le moteur ou dans les connexions électriques. Gardez les poignées sèches et propres (sans débris, huile et graisse). Nettoyez l'appareil après chaque utilisation. Reportez-vous à *Nettoyage et rangement*. N'utilisez pas de solvants ou de détergents puissants.
- Conservez ces instructions. Consultez-les souvent et utilisez-les pour former d'autres utilisateurs. Si vous prêtez cet appareil à d'autres personnes, remettez-leur également ces instructions.

# CONSERVEZ CES INSTRUCTIONS

• SYMBOLES INTERNATIONAUX ET DE SÉCURITÉ •

Ce manuel de l'utilisateur décrit les symboles et pictogrammes de sécurité internationaux qui peuvent apparaître sur cet appareil. Lisez ce manuel d'utilisation pour une information complète sur la sécurité, l'assemblage, l'utilisation, l'entretien et les réparations.

**SIGNIFICATION DES SYMBOLES**

	<ul style="list-style-type: none"> <li>• <b>SYMBOLE D'ALERTE DE SÉCURITÉ</b> Indique un danger, un avertissement ou une mise en garde. Peut être utilisé de concert avec d'autres symboles ou pictogrammes.</li> </ul>
	<ul style="list-style-type: none"> <li>• <b>LISEZ LE MANUEL DE L'UTILISATEUR</b> <b>AVERTISSEMENT :</b> Lisez le(s) manuel(s) de l'utilisateur et suivez toutes les consignes de sécurité et de prévention. Tout manquement peut entraîner des blessures graves pour l'utilisateur et/ou pour les personnes à proximité.</li> </ul>
	<ul style="list-style-type: none"> <li>• <b>PORTER UN CASQUE, DES LUNETTES ET DES PROTECTIONS AUDITIVES</b> <b>AVERTISSEMENT :</b> Les objets projetés et le bruit peuvent entraîner des lésions oculaires graves et des pertes auditives. Portez toujours des lunettes de sécurité conformes aux normes ANSI / ISEA Z87.1 en vigueur et des protections auditives lorsque vous utilisez cet appareil. Portez un casque lors de l'utilisation de cet appareil, car la chute d'objets peut causer des blessures graves à la tête. Protégez-vous le visage avec un masque intégral au besoin.</li> </ul>
	<ul style="list-style-type: none"> <li>• <b>PORTER DES CHAUSSURES PROTECTRICES</b> En utilisant cet appareil, toujours porter de robustes chaussures antidérapantes.</li> </ul>
	<ul style="list-style-type: none"> <li>• <b>PORTER DES GANTS</b> En utilisant cet appareil, toujours porter de robustes gants antidérapants.</li> </ul>
<b>V</b>	• <b>VOLTS</b> - Tension
<b>A</b>	• <b>AMPÈRES</b> - Courant
<b>Hz</b>	• <b>HERTZ</b> - Fréquence (cycles par seconde)
<b>AC</b>	• <b>COURANT ALTERNATIF</b> - Type de courant
 ou DC	• <b>COURANT DIRECT</b> - Type de courant
<b>Ah</b>	• <b>AMPÈRE/HEURE</b> - Mesure de la capacité de charge
<b>Wh</b>	• <b>WATT/HEURE</b> - Mesure de l'énergie

**SIGNIFICATION DES SYMBOLES**

	<ul style="list-style-type: none"> <li>• <b>UTILISEZ LES DEUX MAINS</b> <b>AVERTISSEMENT :</b> Utilisez toujours les deux mains pendant le fonctionnement de l'appareil. N'utilisez jamais une seule main pour faire actionner l'appareil.</li> </ul>
	<ul style="list-style-type: none"> <li>• <b>REBOND</b> <b>AVERTISSEMENT :</b> Le contact de la pointe du guide-chaîne avec tout autre objet doit être évité. Ce contact peut faire soudainement bouger le guide-chaîne vers le haut et vers l'arrière, ce qui peut causer des blessures graves.</li> </ul>
	<ul style="list-style-type: none"> <li>• <b>ÉLOIGNEZ LES PERSONNES SE TROUVANT À PROXIMITÉ</b> <b>AVERTISSEMENT :</b> Faites reculer les personnes se trouvant à proximité, en particulier les enfants et les animaux domestiques, d'au moins 15 m (50 pieds) de la zone de travail.</li> </ul>
	<ul style="list-style-type: none"> <li>• <b>AVERTISSEMENT :</b> Gardez toujours un espace travail propre et voie de retraite dégagée. Soyez conscient de l'emplacement de branches pour éviter branches et les débris qui tombent.</li> </ul>
	<ul style="list-style-type: none"> <li>• <b>D'HUILE DE LA CHAÎNE</b> Assurez-vous que le réservoir d'huile de la chaîne est plein avant de l'utiliser. Vérifiez en permanence le niveau d'huile afin qu'il ne descende pas à moins de la moitié. Pour fonctionner correctement, la chaîne doit être continuellement recouverte d'huile.</li> </ul>
	<ul style="list-style-type: none"> <li>• <b>SENS DE LA CHAÎNE</b> Assurez-vous que la chaîne fait face à la direction indiquée lorsqu'elle est installée sur le guide-chaîne. Reportez-vous à la section <i>Installation du guide-chaîne et de la chaîne</i> de la section <i>Entretien</i>.</li> </ul>
	<ul style="list-style-type: none"> <li>• <b>N'UTILISEZ PAS L'APPAREIL SOUS LA PLUIE</b> <b>AVERTISSEMENT :</b> Évitez les environnements dangereux. N'utilisez jamais l'appareil sous la pluie ou par temps humide. L'humidité constitue un risque d'électrocution.</li> </ul>
	<ul style="list-style-type: none"> <li>• <b>NE PAS JETER DANS LES ORDURES MÉNAGÈRES</b> Recycler la batterie ou la jeter conformément aux réglementations fédérale, provinciale et locale.</li> </ul>

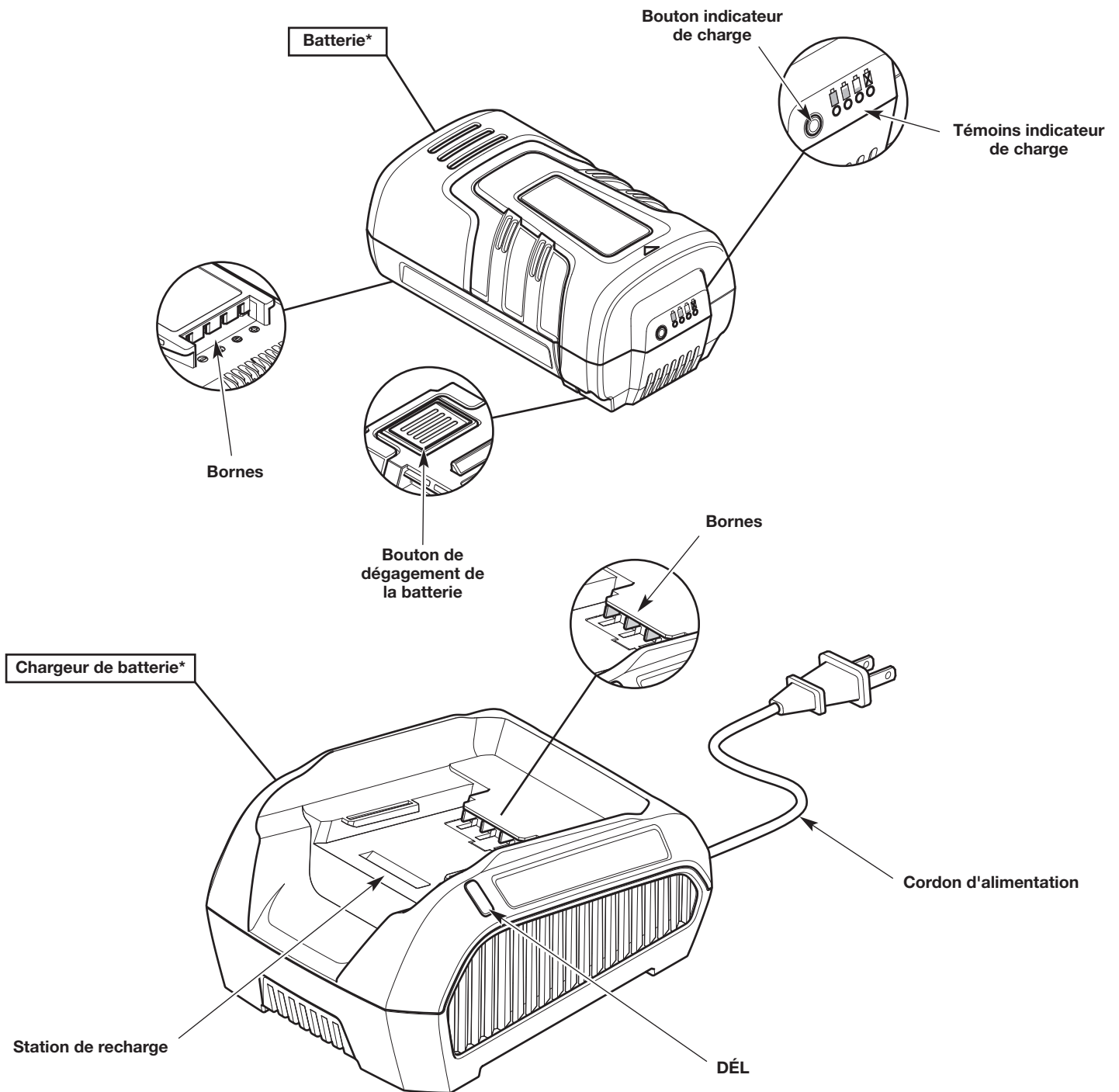


## FAMILIARISEZ-VOUS AVEC VOTRE APPAREIL

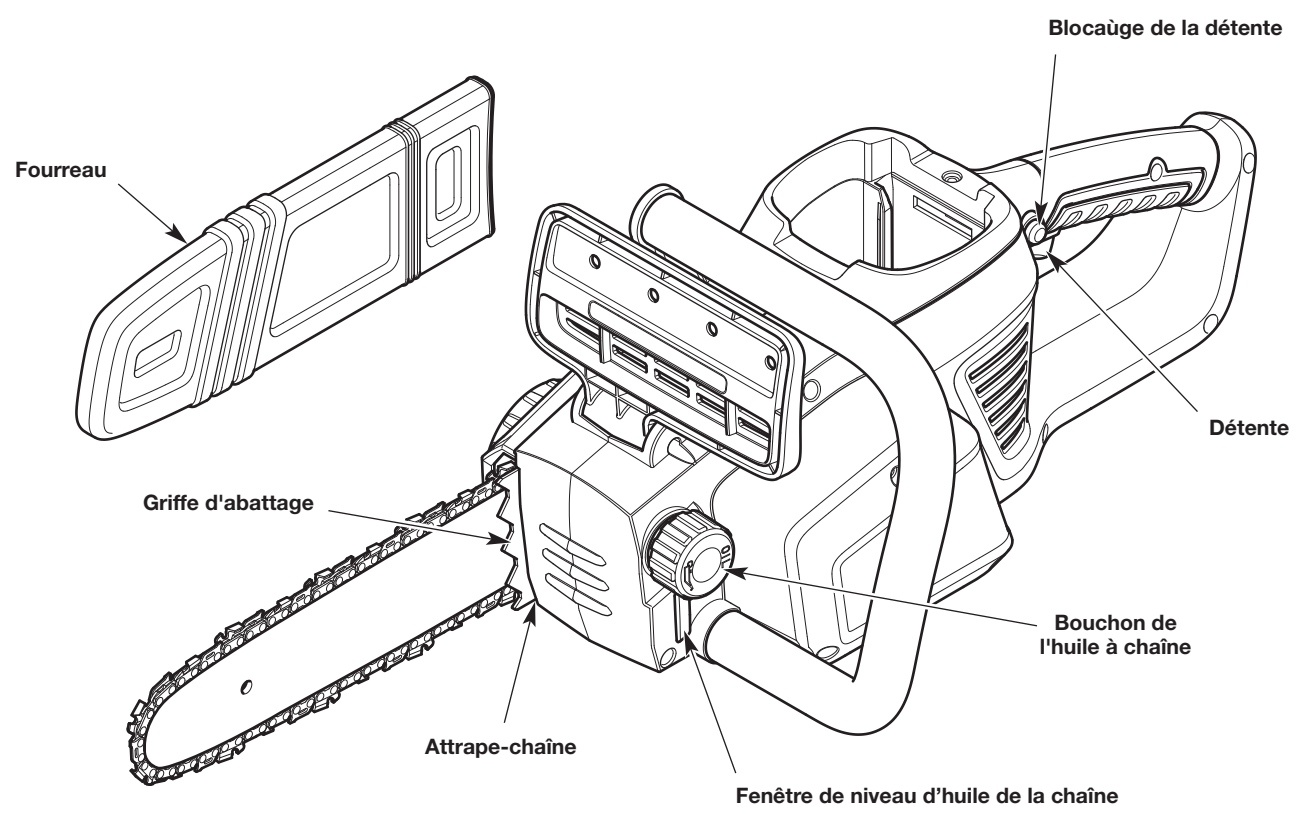
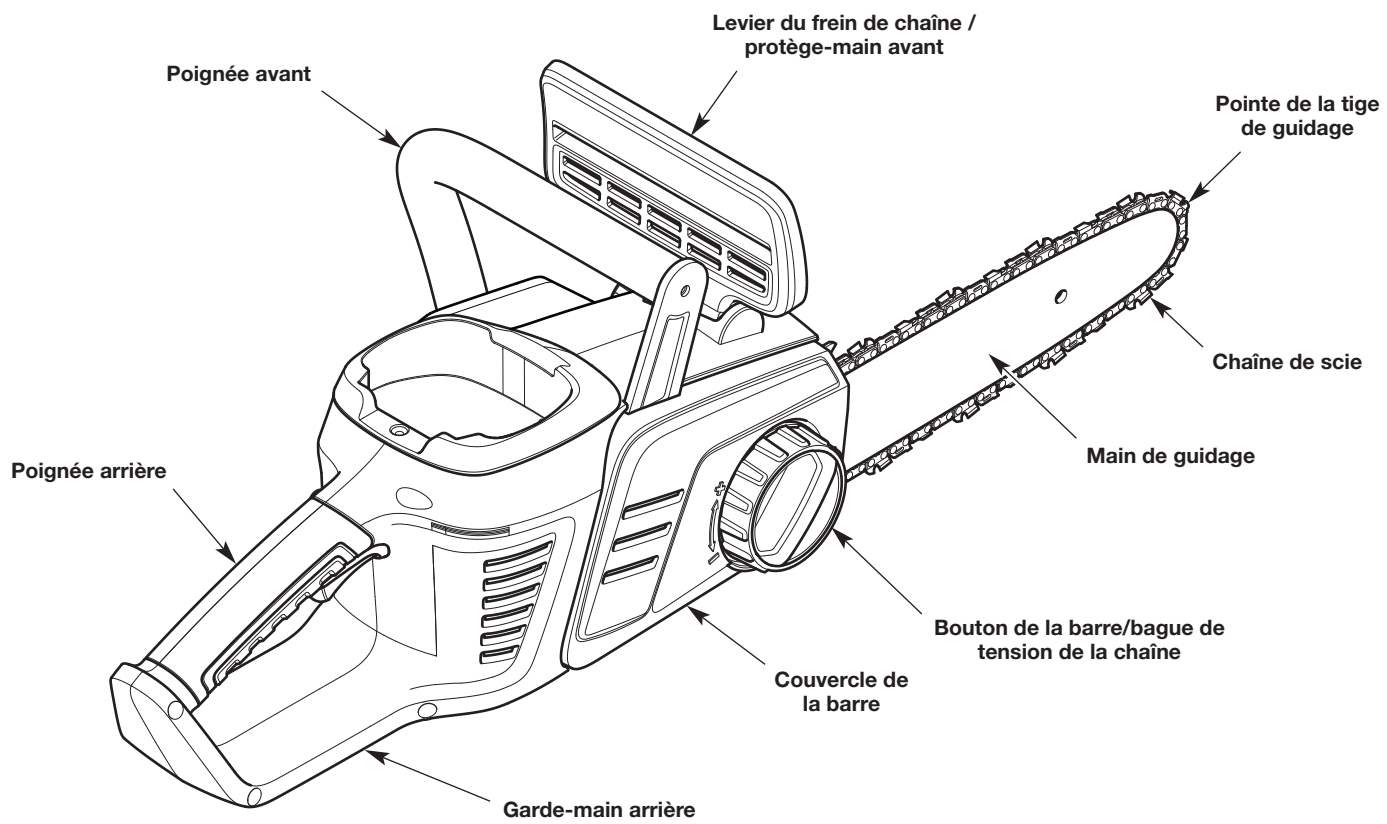
### APPLICATIONS

- Abattage et ébranchage d'arbres
- Coupe de bûches (tronçonnage)
- Élagage des arbres

### AUCUN OUTIL D'ASSEMBLAGE REQUIS



\*\* La batterie et le chargeur ne sont pas inclus avec le modèle RM4040B.



## MODALITÉS ET DÉFINITIONS ESSENTIELLES

- **TRONÇONNEUSE** - Un outil conçu pour couper du bois avec une scie à chaîne. Une tronçonneuse est un appareil intégré composé d'un moteur, d'une chaîne, d'une barre de guidage et de poignées qui sont conçus pour être maintenus à deux mains pendant le fonctionnement.
- **PARTIE MOTEUR DE LA TRONÇONNEUSE** - Une tronçonneuse sans chaîne et guide.
- **PIGNON D'ENTRAÎNEMENT** - Une roue dentée qui entraîne la chaîne.
- **POIGNÉE AVANT** - Une poignée de support située vers l'avant de la tronçonneuse.
- **POIGNÉE ARRIÈRE** - Une poignée de support située vers l'arrière de la tronçonneuse.
- **GARDE-MAIN AVANT / LEVIER DU FREIN DE CHAÎNE** - Une barrière structurelle entre la poignée avant et la barre de guidage. Le protège-main avant aide à protéger la main gauche de l'opérateur si elle glisse de la poignée avant alors que l'appareil est en marche. Le protège-main avant est également utilisé pour activer le frein à chaîne.
- **FREIN À CHAÎNE** - Un dispositif utilisé pour arrêter la tronçonneuse. Le frein à chaîne aide à protéger l'utilisateur en arrêtant la tronçonneuse en millisecondes. Le frein à chaîne peut être activé intentionnellement en poussant le levier du protège-main avant/frein à chaîne vers l'avant. Il peut également être activé si la main de l'opérateur frappe le levier de frein / levier de frein de la barre avant pendant le rebond.
- **GARDE-MAIN ARRIÈRE** - Une barrière structurelle sous la poignée arrière. Le protège-main arrière permet de protéger la main droite de l'opérateur en cas de rupture ou de désengagement de la chaîne dans la barre de guidage pendant le fonctionnement.
- **BARRE DE GUIDAGE** - Une solide structure sur rail qui soutient et guide la chaîne de la scie.
- **POINTE DE LA BARRE DE GUIDAGE** - La pointe ou à l'extrémité de la barre de guidage.
- **BARRE DE GUIDAGE À FAIBLE REBOND** - Un guide dont il a été démontré qu'il y a réduction significative du rebond.
- **CHAÎNE** - Une boucle de chaîne avec des dents destinée à couper du bois, qui est entraînée par le moteur et soutenue par la barre de guidage. La chaîne de la scie est composée de maillons d'entraînement, de dispositifs de coupe et de maillons secondaires assemblés par des rivets.
- **CHAÎNE À FAIBLE REBOND** - Une chaîne de scie qui est conforme aux exigences en matière de rebond de la norme ANSI/OPEI B175.1-2012 lors d'un essai sur un échantillon représentatif de scies à chaîne. En raison de jauges de profondeur et de maillons de protection spécialement conçus, une chaîne à faible tendance de rebond réduit considérablement le risque de rebond et son intensité.
- **CHAÎNE DE RECHANGE** - Une chaîne de scie qui est conforme aux exigences en matière de rebond de la norme ANSI/OPEI B175.1-2012 lors d'un essai sur un échantillon représentatif de scies à chaîne. Elle peut ne pas répondre aux normes de performance ANSI/OPEI lorsqu'elle est utilisée avec d'autres scies à chaîne.
- **GRIFFE D'ABATTAGE** - La dent pointue (ou les dents), à l'avant de la scie à chaîne, utilisée lors de l'abattage et du tronçonnage pour aider à pivoter la scie et la maintenir dans une position stable pendant la coupe.
- **ATTRAPE CHAÎNE** - Dispositif conçu pour intercepter une chaîne qui fouette. L'attrape chaîne permet de réduire la possibilité d'une blessure en cas de rupture ou de désengagement de la chaîne dans la barre de guidage pendant le fonctionnement.
- **COMMANDE DU HUILLEUR** - Un système de lubrification de la chaîne et du guide.
- **INTERRUPTEUR** - Un dispositif qui, lorsqu'il est actionné, complète ou interrompt le circuit d'alimentation électrique du moteur.
- **LIENS DE L'INTERRUPTEUR** - Un mécanisme qui transfère mouvement de la gâchette à l'interrupteur.
- **GÂCHETTE** - Un dispositif qui, lorsqu'il est utilisé en conjonction avec le verrouillage de l'interrupteur (blocs de la détente), met le moteur en marche. Le fait de relâcher la gâchette arrête immédiatement le moteur. La chaîne ralentira alors jusqu'à l'arrêt complet de la scie.
- **VERROUILLAGE DE L'INTERRUPTEUR (BLOCAÛGE DE LA DÉTENTE)** - Un dispositif qui empêche l'appareil de démarrer accidentellement. La gâchette ne peut pas être enfoncée à moins que le verrouillage de l'interrupteur (blocs de la détente) soit engagé manuellement.
- **BOUTON DE DÉGAGEMENT DE LA BATTERIE** - Un appareil utilisé pour débrancher la batterie du chargeur et de l'unité.
- **REBOND** - Un soudain mouvement vers l'arrière ou vers le haut de la barre de guidage et de la chaîne. Un rebond peut se produire si la partie supérieure de la pointe du guide touche un objet alors que la chaîne est en train de tourner (rebond rotatif). Un rebond peut également se produire si le bois se referme et pince la chaîne de la tronçonneuse dans la coupe (rebond linéaire).
- **REBOND ROTATIF** - Un soudain mouvement vers l'arrière ou vers le haut de la barre de guidage et de la chaîne. Un rebond rotatif peut se produire si la partie supérieure de la pointe du guide touche un objet alors que la chaîne est en train de tourner. La tige de guidage est ensuite soulevée et repoussée vers l'utilisateur en une réaction inverse ultrarapide.
- **REBOND LINÉAIRE (REBOND DE PINCEMENT)** - Un soudain mouvement vers l'arrière de la barre de guidage et de la chaîne. Un rebond linéaire (pincement) peut également se produire si le bois se referme et pince la chaîne de la tronçonneuse dans la coupe. La scie est ensuite envoyée directement vers l'utilisateur.
- **POSITION DE COUPE NORMALE** - Les positions prises pendant les coupes de tronçonnage et d'abattage.
- **ABATTAGE** - Le processus de l'abattage d'un arbre.
- **ENTAILLE D'ABATTAGE** - La première méthode de coupe du processus d'abattage des arbres. Une entaille est coupée d'un côté de l'arbre afin de diriger sa chute.
- **COUPE D'ABATTAGE** - La coupe finale dans le processus d'abattage des arbres. La coupe d'abattage est faite du côté opposé de l'arbre où se trouve l'entaille.
- **TRONÇONNAGE** - La méthode de coupe d'un arbre abattu ou de découpe en billes.
- **ÉBRANCHAGE** - La méthode d'élimination des branches d'un arbre tombé.
- **ÉMONDAGE** - La méthode qui consiste à couper les branches d'un arbre vivant.

## SPÉCIFICATIONS\*

Poids approximatif (sans la batterie - sans huile à chaîne) . . . . .	4,3 à 4,8 kg (9,5 à 10,5 livres)
Lubrification . . . . .	Huile à barre et à chaîne
Capacité du réservoir d'huile à chaîne . . . . .	190 mL (6,4 onces liq.)
Longueur du guide-chaîne . . . . .	30,5 cm (12 po)
Pas de la chaîne de scie . . . . .	9,5 mm (3/8 po)
Calibre de la chaîne de scie . . . . .	1,3 mm (0,050 po)
Type de batterie (modèle RM4140) . . . . .	40V, 4,0 Ah Lithium-Ion
Type de batterie (modèle RM4150) . . . . .	40V, 5,0 Ah Lithium-Ion
Poids approximatif de la batterie (modèle RM4140) . . . . .	1,3 à 1,5 kg (2,9 à 3,4 livres)
Poids approximatif de la batterie (modèle RM4150) . . . . .	1,4 à 1,6 kg (3,0 à 3,5 livres)
Température de charge optimale de la batterie . . . . .	0° à 40° C (32° à 104° F)
Température optimale de stockage de la batterie . . . . .	18° à 23° C (64° à 73° F)
Température optimale de la batterie en cours d'utilisation . . . . .	0° à 45° C (32° à 113° F)
Entrée du chargeur de batterie . . . . .	120 V 60 Hz c.a. uniquement
Sortie du chargeur de batterie . . . . .	1,8 A 40 V c.c.
Durée approximative de charge (modèle RM4140) . . . . .	135 minutes
Durée approximative de charge (modèle RM4150) . . . . .	162 minutes
Poids approximatif du chargeur de batterie . . . . .	0,6 à 0,8 kg (1,25 à 1,75 livres)

\* L'ensemble des spécifications est basé sur les toutes dernières informations disponibles sur le produit à l'impression de ce manuel. Nous nous réservons le droit d'apporter des modifications à tout moment sans avis préalable.

## PIÈCES DE RECHANGE

Veillez appeler le service d'assistance à la clientèle pour commander des pièces de rechange.

Numéro de pièce	Description
713-05074 . . . . .	Chaîne à scie (30,5 cm / 12 po)
795-00321 . . . . .	Guide-chaîne (30,5 cm / 12 po)

## ASSEMBLAGE



**AVERTISSEMENT :** Pour éviter les blessures graves et les dommages à l'unité, n'assemblez, ne démontez ou n'ajustez jamais l'appareil pendant qu'il fonctionne. Éteignez et rallumez l'unité, puis enlevez la batterie pour empêcher l'appareil de démarrer accidentellement. Laissez toujours l'unité refroidir avant d'assembler, de démonter ou d'effectuer des réglages.

### AJOUT D'HUILE À GUIDE-CHAÎNE ET À CHAÎNE PREMIÈRE UTILISATION

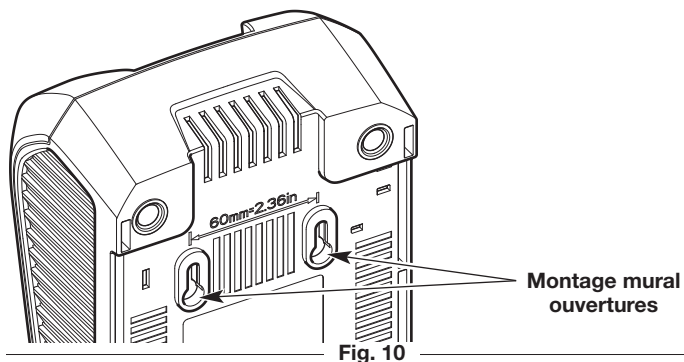
Cet appareil est livré de l'usine avec le réservoir d'huile à chaîne vide. Remplir le réservoir d'huile à chaîne et guide avant de démarrer ou d'utiliser l'appareil. Reportez-vous à *Ajout d'huile à guide-chaîne* et à chaîne de la section *Entretien*.

### RÉGLAGE DE LA TENSION DE LA CHAÎNE : PREMIÈRE UTILISATION

La chaîne de la scie doit être bien tendue avant de tenter de démarrer ou de faire fonctionner l'appareil. La chaîne de la scie peut également nécessiter des tensions supplémentaires tandis que la chaîne chauffe en cours de fonctionnement. Reportez-vous à *Réglage de la tension de la chaîne* de la section *Entretien*.

## MONTAGE MURAL DU CHARGEUR (FACULTATIF)

Le chargeur de batterie peut être installé sur une surface stable, comme un mur ou un établi. Utilisez des attaches (non incluses) capables de supporter le poids combiné de la batterie et du chargeur. Des ouvertures de montage mural sont situées sur la partie inférieure de du chargeur (Fig. 10).



## CHARGE DE LA BATTERIE

**REMARQUE :** La batterie n'est pas livrée entièrement chargée.

**REMARQUE :** Les batteries lithium-ion ne développent pas de mémoire et peuvent être chargées en tout moment.

Pour obtenir un temps de fonctionnement maximal, rechargez complètement la batterie avant chaque utilisation.

1. Branchez le chargeur à une prise de courant appropriée. Le témoin DEL doit passer au rouge : (fixe) (Fig. 12). Dans le cas contraire :

- S'assurer que le chargeur de batterie est bien branché à une prise de courant appropriée.
- S'assurer que la prise électrique fonctionne en la testant avec un autre appareil électrique.

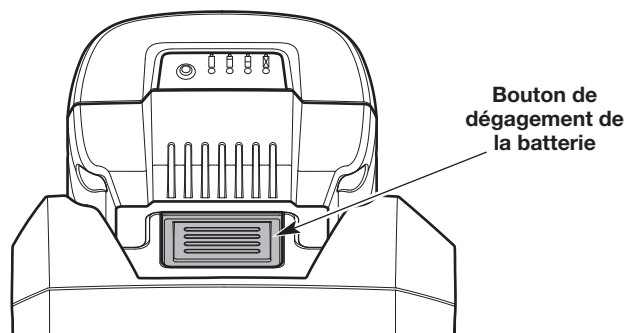
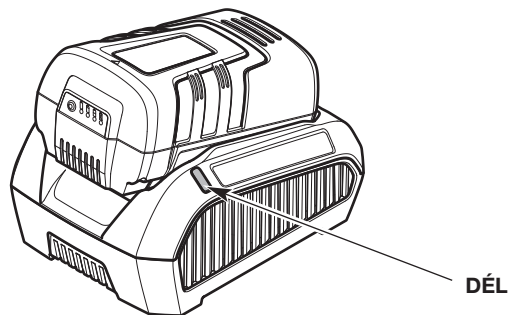
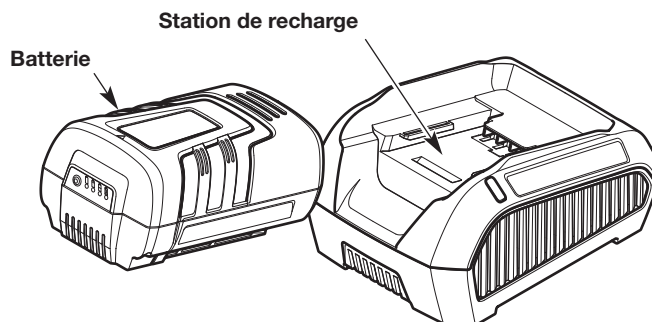
2. Insérez la batterie dans la station de charge (Fig. 11). Poussez la batterie fermement jusqu'à ce qu'elle s'enclenche.

3. Examiner la DEL. La DEL indique l'état de la batterie :

- **Vert (clignotant) :** La batterie est en cours de chargement. Charger la batterie jusqu'à ce que le témoin vert arrête de clignoter.
- **Vert (stable) :** La batterie est entièrement chargée.
- **Rouge (clignotant - lent) :** La batterie ou le chargeur sont trop chauds ou trop froids. S'assurer que la batterie et le chargeur sont dans un environnement où la température oscille entre 0 ° et 40 °C (32 ° et 104 °F). Prévoir du temps pour que la batterie ou le chargeur se réchauffer ou se refroidir.
- **Rouge (clignotant - rapide) :** La batterie n'est plus fonctionnelle. Reportez-vous à la section *Garantie* pour connaître l'information de remplacement.
- **Rouge (stable) :** La batterie ne se charge pas. Enlevez la batterie. Assurez-vous que les bornes de la batterie et du chargeur de batterie sont propres. Remettez la batterie dans la station de charge. Poussez la batterie fermement jusqu'à ce qu'elle s'enclenche.

4. Pour optimiser la durée de vie de la batterie, le chargeur s'éteint lorsque la charge est terminée. Une fois la batterie complètement chargée, retirez-la du chargeur de batterie. En option, la batterie peut être rangée dans le chargeur de batterie, mais ce faisant, le chargeur de batterie doit être débranché de la prise électrique.

Pour enlever la batterie : Tenez le chargeur de batterie en place d'une seule main. Appuyez sur le bouton de dégagement de la batterie de l'autre main (Fig. 13). Sortez la batterie en la faisant glisser dans la station de charge.



## INSTALLATION ET RETRAIT DE LA BATTERIE

 **AVERTISSEMENT** : Évitez tout démarrage accidentel de l'appareil. Pour prévenir les blessures graves, **n'appuyez PAS** sur le blocage de la détente et **n'appuyez PAS** sur la détente en installant ou en retirant la batterie. Consultez les sections *Mise en marche et Arrêt*. Retirez la batterie de l'appareil lorsqu'il n'est pas utilisé.

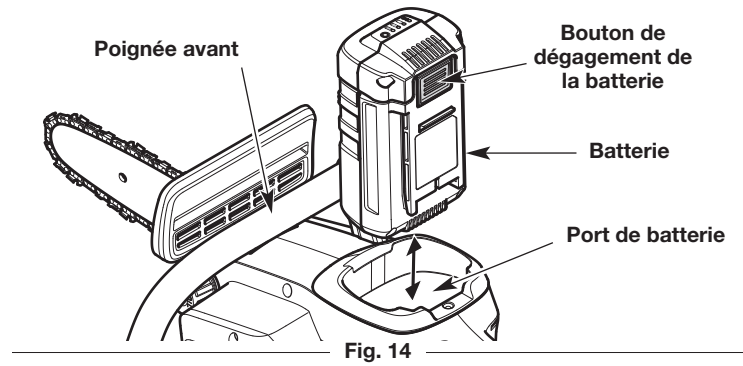
### Installation de la batterie

1. Saisissez fermement le protège-main avant (Fig. 14).
2. Insérez la batterie en la faisant glisser dans le port de la batterie (Fig. 14). Poussez fermement la batterie jusqu'à ce que le loquet de la batterie s'enclenche (Fig. 14). Vous devriez entendre un « clic ».
3. Tirez délicatement sur la batterie pour vous assurer qu'elle est fermement verrouillée en place.


### Retrait de la batterie

1. Saisissez fermement le protège-main avant (Fig. 14).
2. Appuyez sur le loquet de la batterie pour la déverrouiller (Fig. 14).
3. Retirez la batterie du port de la batterie (Fig. 14).

**REMARQUE** : Il est probable qu'il faille tirer fortement pour enlever la batterie.



## DÉMARRAGE ET ARRÊT

 **AVERTISSEMENT** : Ne faites jamais fonctionner l'appareil sans que le guide-chaîne et la chaîne soient correctement installés. S'assurer que le revêtement de la barre de guidage est bien assemblé. Assurez-vous que la chaîne est correctement tendue. Reportez-vous à *Réglage de la tension de la chaîne* de la section *Entretien*.

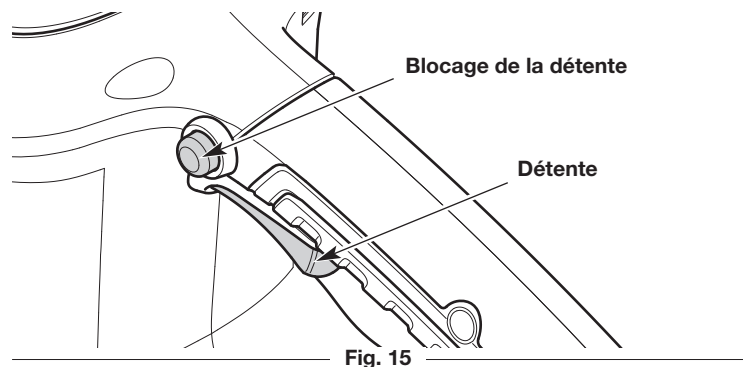
 **AVERTISSEMENT** : La chaîne de la scie tournera dès la mise en marche de l'appareil. Gardez les mains et les pieds éloignés de la chaîne de la tronçonneuse et ne laissez pas la chaîne entrer en contact avec des objets.

### AVANT DE METTRE L'APPAREIL EN MARCHÉ

1. Remplissez le réservoir d'huile avec de l'huile à guide-chaîne et à chaîne. Reportez-vous à *Ajout d'huile à guide-chaîne et à chaîne* de la section *Entretien*.
2. Installez la batterie. Reportez-vous à *Installation de la batterie*.

### CONSIGNES POUR DÉMARRER L'APPAREIL

**REMARQUE** : Pour éviter que le moteur ne démarre accidentellement, cet appareil dispose d'un blocage de la détente. La détente et le blocage de la détente doivent tous deux être engagés pour démarrer l'appareil.



1. Appuyer sur le blocage de la détente et le maintenir enfoncé (Fig. 15).
2. Maintenir le blocage de la détente enfoncé. Presser et maintenir la détente enfoncée pour démarrer l'appareil (Fig. 15).
3. Relâchez le blocage de la détente, mais continuez à maintenir la détente enfoncée au degré nécessaire à son fonctionnement.

## UTILISATION DU FREIN À CHAÎNE

Dans les situations d'urgence, la chaîne de la scie peut également être arrêtée en actionnant le frein à chaîne. Le frein de la chaîne peut être activé intentionnellement en poussant le levier de frein avant chaîne avant. Il peut également être activé si la main de l'opérateur frappe le levier du protège-main avant/levier du frein à chaîne pendant le rebond.

### Test du frein de chaîne



**AVERTISSEMENT** : Activez toujours lentement et délibérément le frein de chaîne. Empêchez la chaîne d'entrer en contact avec quoi que ce soit. Ne laissez pas la tronçonneuse basculer vers l'avant.

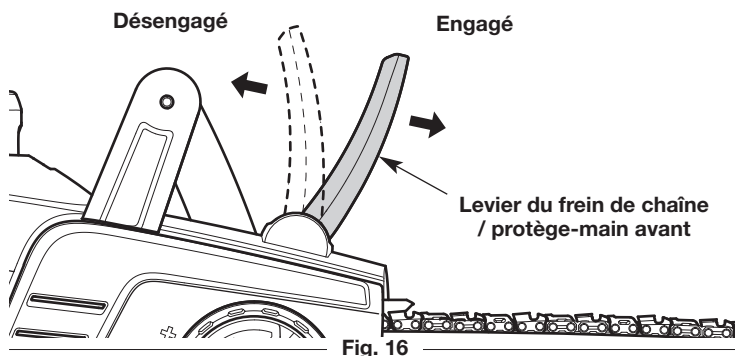
Testez toujours le frein de chaîne avant d'utiliser l'appareil.

1. **Posez l'appareil sur une surface plane.**
2. Assurez-vous que le levier de frein du protège-main avant/levier du frein à chaîne est en position désengagée (Fig. 16).
3. Empoignez fermement l'appareil avec les deux mains. Reportez-vous à *Maintien de l'appareil* dans la section *Fonctionnement*.
4. Démarrez l'appareil. Reportez-vous aux *Instructions de démarrage*.
5. Pendant que l'appareil fonctionne, engagez le frein à chaîne en poussant le protège-main avant/levier du frein à chaîne avec la main gauche (Fig. 16). La chaîne doit s'immobiliser brusquement. Si ce n'est pas le cas, faites réparer l'unité par un centre de service agréé.
6. Arrêtez l'appareil. Reportez-vous aux *Instructions d'arrêt*.
7. Tirez le protège-main avant/levier du frein à chaîne en position désengagée.

## INSTRUCTIONS D'ARRÊT

1. Relâchez la détente (Fig. 15).
2. Attendez que toutes les pièces mobiles s'arrêtent complètement.

**REMARQUE** : En relâchant la détente, le blocage se remettra en position verrouillée.



## UTILISATION



**AVERTISSEMENT** : N'exposez pas les outils électriques à la pluie ou au temps humide.



**AVERTISSEMENT** : Vérifiez toujours la tension de la chaîne et ajustez si nécessaire avant de commencer l'opération. Reportez-vous à *Réglage de la tension de la chaîne* de la section *Entretien*.



**AVERTISSEMENT** : Assurez-vous que le réservoir d'huile de la chaîne est plein avant de l'utiliser. Vérifiez en permanence le niveau d'huile afin qu'il ne descende pas à moins de la moitié. Pour fonctionner correctement, la chaîne doit être continuellement recouverte d'huile.



**AVERTISSEMENT** : Portez toujours des lunettes de sécurité, des protections auditives, des gants, des chaussures protectrices et une protection corporelle pour réduire le risque de blessure lors de l'utilisation de cet appareil. Portez un casque. Protégez-vous le visage avec un masque intégral au besoin. Reportez-vous à la section *Sécurité* pour connaître l'information relative à l'équipement de protection approprié.

## VÉRIFICATION DU NIVEAU DE CHARGE DE LA BATTERIE

1. Appuyez sur le bouton indicateur de charge de la batterie (Fig. 17).
2. Au moins un des témoins de l'indicateur d'intensité de chargement doit s'allumer (Fig. 17). Le nombre et la couleur des témoins indiquent le niveau actuel de charge de la batterie :
  - 3 Témoins verts = 66 - Charge à 100 %
  - 2 Témoins verts = 33 - Charge à 66 %
  - 1 Témoins verts = charge de 1 à 33 %
  - 1 Témoin rouge = charge à 0 %
3. Si le témoin rouge s'allume : chargez la batterie avant tout autre utilisation.

**REMARQUE :** En cours d'utilisation, les batteries lithium-ion offrent une alimentation avec un minimum de perte de puissance. Lorsque la batterie est complètement déchargée, l'alimentation de l'appareil se coupera immédiatement et une charge sera nécessaire.

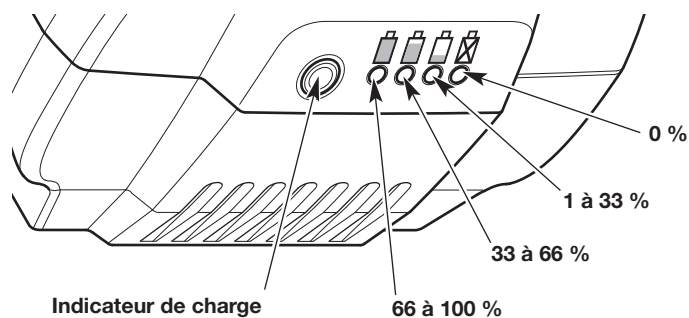


Fig. 17

## CONSEILS POUR OBTENIR DE MEILLEURS RÉSULTATS

- Respectez toutes les consignes de sécurité. Reportez-vous à la section *Sécurité*.
- Ne coupez que du bois et des matériaux dérivés du bois. N'essayez pas de couper de la tôle, du plastique, de la maçonnerie ou des matériaux autres que du bois.
- Travaillez lentement et maintenez bien le contrôle.
- Exercez-vous à couper quelques petites bûches avant de commencer des coupes importantes. Les nouveaux utilisateurs doivent s'exercer à couper des billes sur un chevalet ou un appui avant d'entreprendre d'autres activités.
- N'essayez pas de couper des arbres ou des bûches ayant des diamètres supérieurs à 25,4 cm (10 po).
- Lors de l'élagage, enlevez tout d'abord les branches inférieures pour permettre un accès libre aux branches supérieures et créer de l'espace pour les branches qui tombent.
- Lors de l'élagage, enlevez les branches longues par étapes, et non d'un seul coup.

## PRÉPARATION DE LA ZONE DE TRAVAIL

- Éloignez les enfants, les passants et les animaux domestiques ; ils doivent rester dans un rayon d'au moins 15 mètres (50 pieds). Même à cette distance, il existe néanmoins un risque de projectiles pour les personnes à proximité. Encouragez-les à porter des lunettes de sécurité. Si quelqu'un s'approche de vous, arrêtez immédiatement l'appareil. Lors de l'abattage, la distance de sécurité est d'au moins deux fois la hauteur de l'arbre le plus haut dans la zone de travail. Lors du tronçonnage, gardez les travailleurs à au moins 4,6 m (15 pi) de distance.
- Gardez la zone de travail propre. Les endroits encombrés favorisent les accidents. Ne commencez pas à couper avant que la zone de travail soit dégagée et libre de tout obstacle. Assurez-vous d'avoir une position stable et qu'une voie de retraite soit prévue en raison de chutes de branches.
- Ne coupez pas à proximité de câbles électriques ou de lignes à haute tension. Demeurez à au moins 15 m (50 pi) de toutes les lignes électriques.
- Utilisez l'appareil uniquement en plein jour ou avec un bon éclairage artificiel.



## COMMENT TENIR L'APPAREIL



**AVERTISSEMENT** : Utiliser toujours les placements de main précisés ci-dessous que l'opérateur soit gaucher ou droitier. Cela aidera à garder l'opérateur légèrement à gauche de l'appareil et à l'écart de la ligne directe de la chaîne en cas de rebond (Fig. 20 et Fig. 21). Toujours garder toutes les parties du corps à la gauche de la ligne de chaîne.

- Saisissez toujours fermement l'appareil avec les deux mains lorsqu'il est en marche.
- Encercliez fermement les poignées du pouce et des doigts (Fig. 18). Cela permettra de réduire le risque de perte de contrôle de l'appareil en cas de rebond. Toute prise avec les pouces et les doigts du même côté des poignées est DANGEREUSE (Fig. 19).
- Tenez-vous dans une position stable, les pieds écartés et fermement posés sur le sol.
- Maintenez la poignée avant avec la main gauche. Gardez le bras gauche bien tendu pour aider à faire face à un rebond potentiel.
- Maintenez la poignée arrière avec la main droite. Gardez le bras droit légèrement plié.
- Ne coupez pas à une hauteur supérieure aux épaules. Ne tendez pas le bras trop loin.
- Lorsque vous transportez la tronçonneuse d'un endroit à l'autre, maintenez-la par la poignée avant, éloignée du corps, et gardez la barre de guidage pointée vers l'arrière.

Prise adéquate

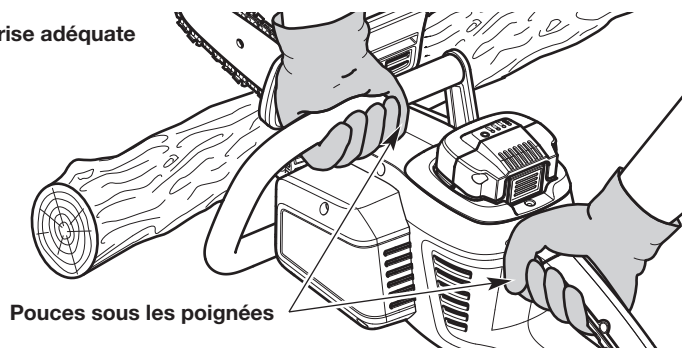


Fig. 18

Prise inadéquate

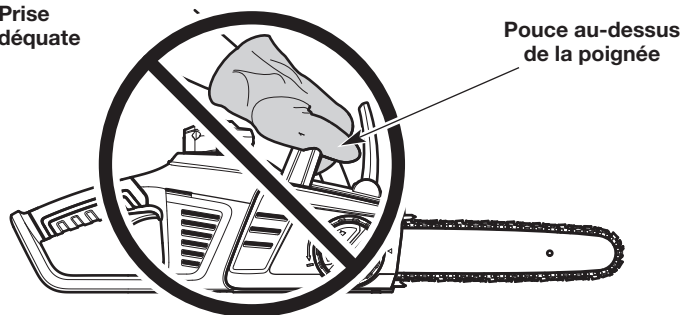


Fig. 19

## FONDEMENT DES PROCÉDURES DE COUPE

1. Démarrez l'appareil. Reportez-vous aux *Instructions de démarrage* dans la section *Démarrage et arrêt*.
2. S'assurer que l'huile coule sur la barre de guidage et la chaîne de la scie. Une petite vaporisation doit être visible. Lorsque vous utilisez l'appareil pour la première fois, allouer de 30 à 60 secondes pour que l'huile commence à couler.
3. Appuyez l'appareil contre le bois et maintenez une pression ferme et régulière pendant la plupart des coupes. Ne mettez pas de pression sur l'appareil à la fin de la coupe.
4. Gardez l'appareil en fonctionnement tout au long de la coupe.
5. Ne forcez pas la scie dans le bois. Laissez la tronçonneuse faire la coupe. Exercez uniquement une légère pression. Le fait de forcer la coupe peut entraîner des dommages à l'appareil ou des blessures.
6. Relâcher la détente dès que la coupe est terminée. Laissez la chaîne s'arrêter complètement. La chaîne de la tronçonneuse, le guide-chaîne et le moteur peuvent subir une usure inutile si l'appareil est actionné sans charge de coupe.

Ligne de chaîne

Position adéquate

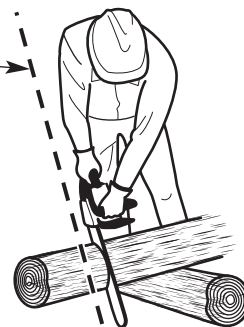


Fig. 20

Ligne de chaîne

Position inadéquate



Fig. 21

## ABATTAGE : SÉCURITÉ

L'abattage est le processus de coupe d'un arbre. Pour réduire le risque de blessures graves, de dommages matériels et de dommages aux fils électriques, respectez les consignes de sécurité :

- N'abattez pas d'arbres avec un penchant extrême. N'abattez pas les arbres comportant des branches pourries, de l'écorce lâche ou des troncs creux. Ces arbres doivent être poussés ou tirés avec du matériel lourd.
- Ne coupez pas des arbres à proximité de bâtiments ou des fils électriques. Laissez ces interventions à des professionnels. Si un arbre abattu entre en contact avec un fil électrique, avisez immédiatement la compagnie d'électricité.

- Vérifiez si l'arbre comporte des branches mortes ou endommagées qui pourraient tomber et causer des blessures graves.
- Enlevez la saleté, les pierres, l'écorce lâche, les clous, les fils de fer et les autres obstructions de la partie de l'arbre qui sera coupée.
- Lorsque du tronçonnage et des opérations d'abattage sont effectués par au moins deux personnes dans la même zone, ils doivent être séparés les uns des autres de l'équivalent d'au moins deux fois la hauteur de l'arbre à abattre.
- Envisagez la force et la direction du vent. Pensez au penchant et à l'équilibre de l'arbre. Pensez à l'emplacement des grosses branches. Tous ces facteurs influent sur la direction de chute de l'arbre. N'essayez pas d'abattre un arbre dans une direction autre que sa ligne de tombée naturelle.
- N'abattez pas les arbres durant les périodes de précipitations ou de vents violents.
- Déterminez une voie d'évacuation sûre et rapide. Dégagez la zone autour de l'arbre et assurez-vous qu'il n'y ait aucun obstacle bloquant la voie d'évacuation. Mettez en place un corridor d'évacuation de 90°, à environ 135° de la ligne de chute (Fig. 22).
- Restez en amont de l'arbre, il roulera ou glissera plus probablement après sa chute.

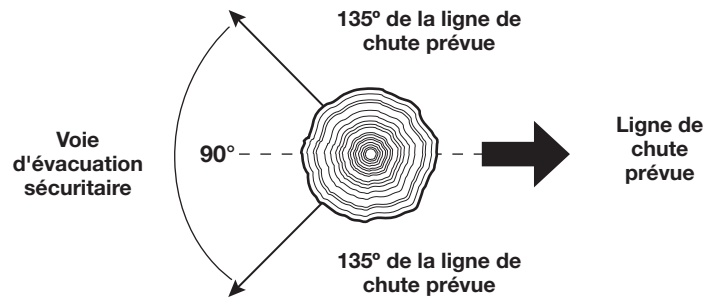


Fig. 22

## ABATTAGE : PROCÉDURE

Les petits arbres, jusqu'à 15 à 18 cm (6 à 7 po) de diamètre, sont généralement abattus en une seule coupe. Les plus gros arbres nécessitent une séquence de deux opérations de coupe : une entaille amoindrie suivie d'une coupe d'abattage. Il peut également être nécessaire d'enlever les racines principales.

### Étape 1 : Retrait des racines principales

Les racines principales sont de grosses racines qui s'étendent au-dessus du sol et aident à soutenir l'arbre. Si l'arbre comporte de grosses racines qui pourraient entraver le processus d'abattage, suivez ces étapes pour les enlever :

1. Faites une coupe horizontale dans la racine principale (Fig. 23). Pour éviter que le guide-chaîne ne soit pincé par le poids du bois, faites toujours cette coupe en premier.
2. Faites une coupe verticale dans la racine principale (Fig. 23).
3. Retirez la section lâche de la zone de travail.

### Étape 2 : Faites une entaille amoindrie

**AVERTISSEMENT** : Ne marchez jamais devant un arbre comportant une entaille amoindrie.

Cette coupe détermine la direction dans laquelle l'arbre tombera. Faites toujours cette coupe du côté où l'arbre doit tomber. Faites la coupe à 90° de la ligne de chute.

1. Faites une coupe horizontale dans le tronc de l'arbre (Fig. 24). La coupe doit être environ du tiers du diamètre de l'arbre et près du sol. Pour éviter que le guide-chaîne ne soit pincé par le poids du bois, faites toujours cette coupe en premier.
2. Faites une coupe de 45° dans le tronc de l'arbre, par-dessus la première coupe (Fig. 24). Continuez la coupe jusqu'à ce que les deux entailles se rencontrent.
3. Retirez la section lâche de la zone de travail.

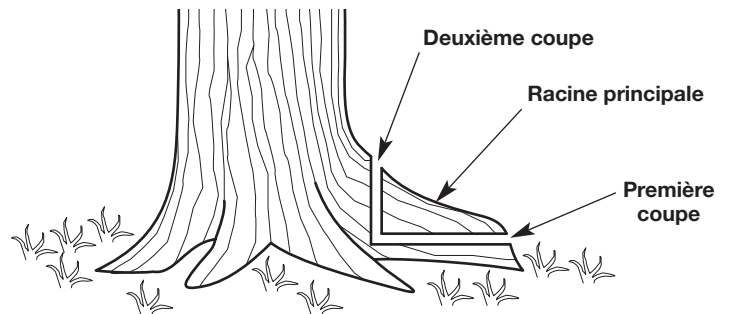


Fig. 23

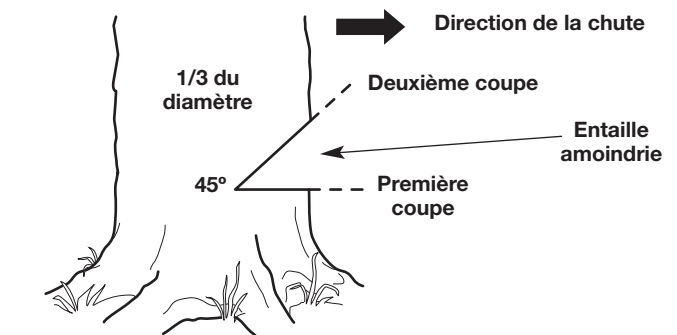


Fig. 24

### Étape 3 : Excécutez la coupe d'abattage



**AVERTISSEMENT** : Vérifiez toujours de nouveau la zone des passants, des animaux et des obstacles avant de faire la coupe d'abattage.

Cette coupe abat l'arbre.

1. Faites une coupe horizontale du côté opposé de l'arbre depuis l'entaille amoindrie (Fig. 25). Faites la coupe à environ 5 cm (2 po) au-dessus du fond de l'entaille amoindrie (Fig. 25).
2. Comme la coupe se rapproche de l'entaille amoindrie, seule une mince bande de bois soutiendra l'arbre. Cette bande de bois est considérée comme la charnière (Fig. 25). La charnière permet de contrôler la chute de l'arbre. Laissez environ 5 cm (2 po) de cette charnière en place. Ne coupez pas à travers la charnière. Le fait de couper à travers la charnière peut faire tomber l'arbre dans n'importe quelle direction.
3. Levez périodiquement les yeux au cours de la coupe pour voir si l'arbre tombera dans le bon sens. S'il y a une possibilité que l'arbre ne tombe pas dans la direction souhaitée, ou que l'arbre bascule vers l'arrière et bloque la tronçonneuse, retirez le guide-chaîne de la coupe, arrêtez l'appareil et utilisez des cales pour ouvrir la coupe et diriger la chute (Fig. 26). Utilisez uniquement des cales de plastique souple ou de bois. Entrez lentement les cales dans la coupe. Une fois les cales bien en place et la coupe maintenue en position ouverte, vous pouvez soit réinsérer soigneusement le guide-chaîne et continuer la coupe ou enfoncer lentement les cales plus profondément afin de pousser l'arbre davantage.
4. Tandis que la charnière se rapetisse, l'arbre doit commencer à tomber. Lorsque l'arbre commence à tomber, retirez la tronçonneuse de la coupe, arrêtez le moteur et déposez immédiatement l'appareil. Quittez rapidement la zone le long de la voie de retraite, mais continuez à regarder l'arbre dans sa chute.



**DANGER** : Si l'arbre commence à tomber dans la mauvaise direction et se lie à la tronçonneuse, lâchez l'appareil et quittez immédiatement la zone! N'essayez pas de sauver la tronçonneuse!



**AVERTISSEMENT** : Restez à l'écart des arbres sous tension lors de l'utilisation de l'appareil. Les arbres sous tension sont des branches, des bûches, des racines ou des plantes qui sont repliées sous tension par un autre morceau de bois (Fig. 27). Lorsque la tension est relâchée, les arbres sous tension peuvent frapper l'opérateur, causant de graves blessures et pouvant frapper la tronçonneuse et la faire entrer en contact avec le corps de l'opérateur. Soyez extrêmement prudent lors de la coupe d'arbres sous tension ou lors de la libération de la cause de la tension.

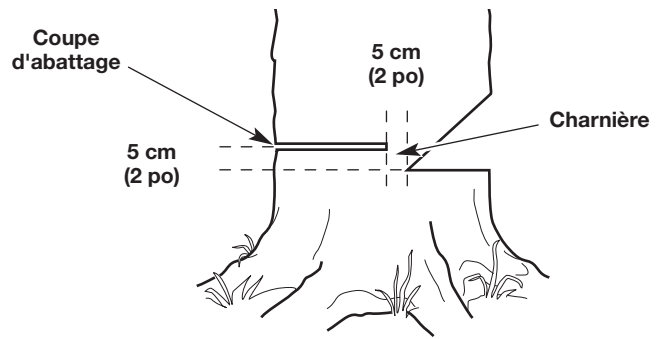


Fig. 25



Fig. 26

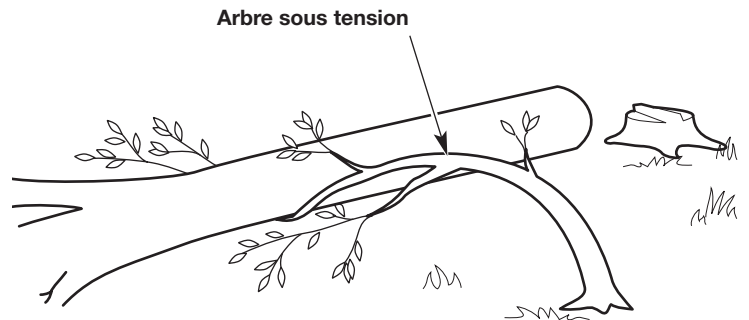


Fig. 27

### ÉBRANCHAGE

L'ébranchage est le processus qui consiste à enlever les branches d'un arbre tombé.

1. Laissez les grosses branches de soutien sous l'arbre pour la fin (Fig. 28). Ceux-ci garderont l'arbre au sol pendant le processus d'ébranchage.
2. Coupez une branche à la fois. Tenez-vous du côté opposé de l'arbre à partir de la branche (Fig. 28). Gardez le tronc entre l'opérateur et la tronçonneuse. Pour éviter de bloquer la tronçonneuse, les branches sous tension doivent être coupées de bas en haut.
3. Retirez les branches coupées de la zone de travail.

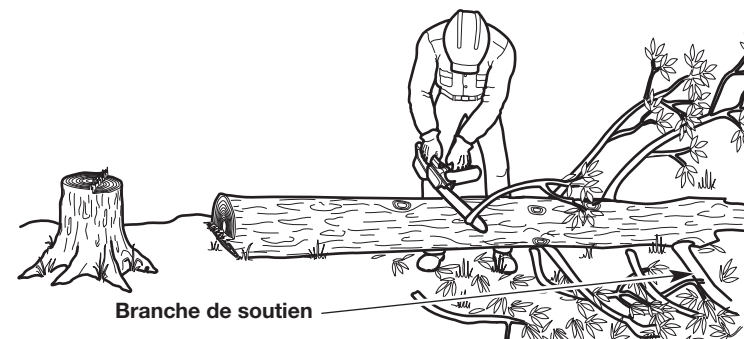



Fig. 28

## TRONÇONNAGE : SÉCURITÉ

Le tronçonnage est le processus qui consiste à couper un arbre tombé en bûches de la longueur désirée. Suivez les consignes de sécurité pour réduire le risque de blessures graves :

- Dégagez la zone des objets ou des obstacles qui pourraient entrer en contact avec le guide-chaîne et se traduire par un rebond.
- Lors du tronçonnage sur une pente, tenez-vous toujours du côté en amont de l'arbre tombé.
- Si possible, l'extrémité de l'arbre à couper doit être soulevée du sol. Un cheval de sciage est idéal à cet effet. Si un cheval de sciage n'est pas disponible, utiliser d'autres bûches ou les souches restantes. Assurez-vous que l'arbre est fermement soutenu.
- Ne laissez pas la tronçonneuse entrer en contact avec le sol ou un cheval de sciage.
- Coupez une bûche à la fois. Relâcher la détente et permettre à la chaîne de la scie de s'arrêter complètement avant de passer à la prochaine bûche.
- Gardez les pieds et toutes les autres parties du corps à l'écart des bûches tombantes.



**DANGER:** Soyez extrêmement prudent lorsque vous coupez un arbre tombé qui est encore attaché à la structure de la racine. Lorsque le tronc est séparé des racines, il existe de fortes possibilités que la souche retourne dans le trou créé par les racines. Cela peut entraîner des blessures graves, voire la mort. Ne vous tenez jamais dans le trou laissé par les racines. Ne laissez jamais les autres se tenir près de la structure de la racine.

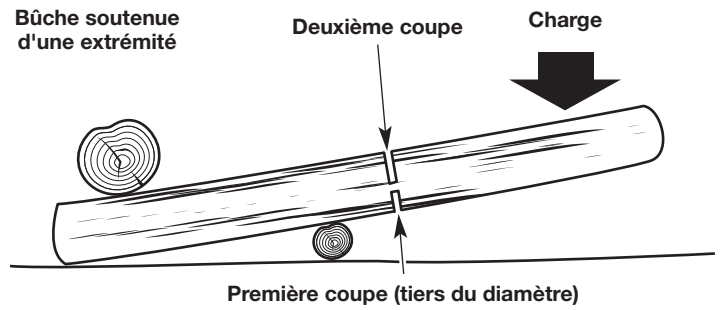


Fig. 29

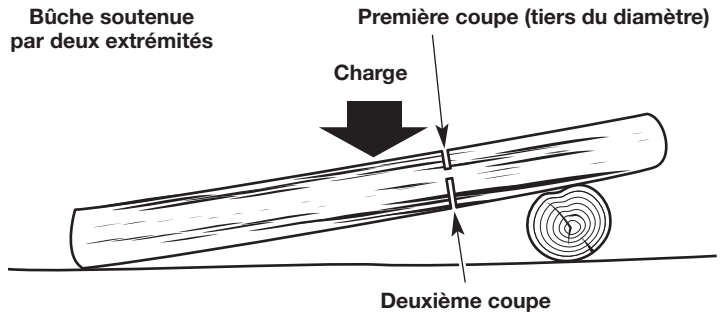


Fig. 30

## TRONÇONNAGE : PROCÉDURE

### Coupage de bûches soumises à une pression

Lorsque les bûches sont soutenues sur l'une ou les deux extrémités, le bois tend à se courber lors de l'opération de coupe. Cela peut pincer la tronçonneuse entre les deux parties. Portez une attention particulière.

1. Faites une première coupe d'environ le tiers du diamètre de la bûche. Ne coupez pas plus profondément que le tiers.
  - Si la bûche est soutenue sur une extrémité (Fig. 29), faites la première coupe depuis le bas (tronçonnage par dessous). Reportez-vous à *Tronçonnage par-dessous*.
  - Si la bûche est soutenue sur deux extrémités (Fig. 30), faites la première coupe depuis le haut (tronçonnage par dessus). Reportez-vous à *Tronçonnage par-dessus*.
2. Faites la deuxième coupe du côté opposé jusqu'à ce que les deux entailles se rencontrent. Si le diamètre du bois est assez grand, insérez des cales de plastique souple ou de bois pour garder la coupure ouverte et éviter le pincement (Fig. 33). Prenez soin de ne pas toucher aux cales avec la tronçonneuse.

### Coupe de bûches entièrement soutenues

Lorsque les bûches sont soutenues sur toute la longueur, des précautions supplémentaires doivent être prises pour s'assurer que la chaîne ne touchera pas au sol ou à une autre structure de soutien (Fig. 31).

1. Coupez à travers la bûche, autant que possible, sans couper dans la structure du sol ou la structure de soutien. Coupez du haut (tronçonnage par dessus). Reportez-vous à *Tronçonnage par-dessus*.
2. Retournez la bûche et finissez la coupe de la bûche par le haut (tronçonnage par dessus).

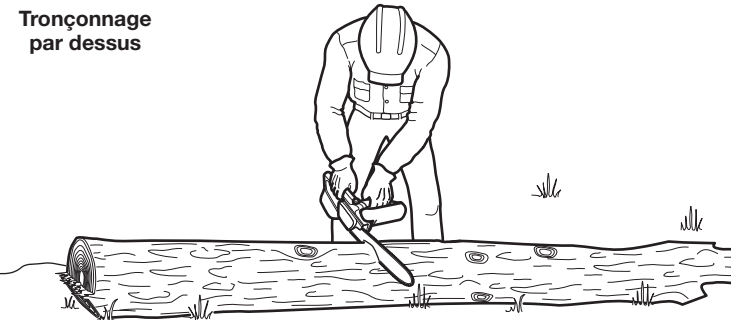


Fig. 31

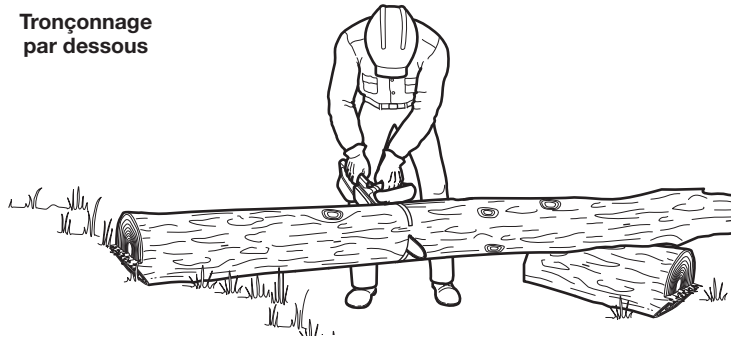


Fig. 32

### Tronçonnage par dessus

1. Commencez à couper par le haut, avec le bas de la chaîne de la tronçonneuse contre le dessus de la bûche (Fig. 31).
2. Exercez une légère pression descendante. La scie aura tendance à s'éloigner de l'opérateur. Soyez préparé et maintenez fermement la scie pour garder le contrôle.

### Tronçonnage par dessous

1. Commencez à couper par le bas, avec le haut de la chaîne de la tronçonneuse contre le bas de la bûche (Fig. 32).
2. Exercez une légère pression ascendante. La scie aura tendance à se rapprocher de l'opérateur. Soyez préparé et maintenez fermement la scie pour garder le contrôle.



Fig. 33

## ÉLAGAGE



**AVERTISSEMENT** : Ne pas couper à une hauteur supérieure aux épaules avec une scie à chaîne. Utilisez une scie à perche pour couper des branches au-dessus de la hauteur des épaules ou embauchez un professionnel pour le faire. Ne faites pas fonctionner l'appareil dans un arbre ou sur une échelle à moins d'être spécifiquement formé pour le faire.



**AVERTISSEMENT** : Les branches qui tombent peuvent provoquer des blessures graves. Portez toujours une protection de la tête appropriée. Planifiez une voie d'évacuation à l'écart des branches qui tombent. Ne vous tenez pas ou ne positionnez aucun membre du corps directement au-dessous de la branche étant coupées.

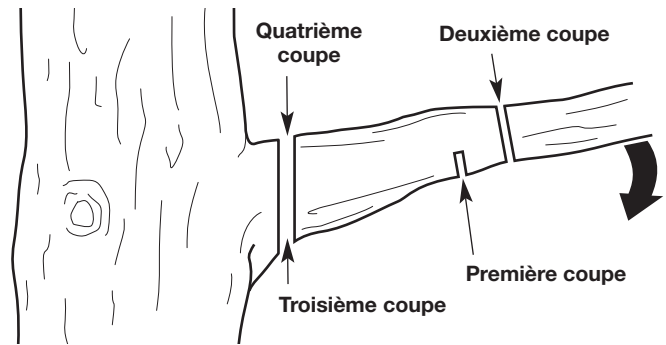


Fig. 34

L'élagage est le processus qui consiste à couper les branches d'un arbre vivant.

1. Faites la première coupe à environ 15 cm (6 po) du tronc de l'arbre. Coupez vers le haut, à partir de la face inférieure de la branche. Utilisez le haut de la barre de guidage pour faire de cette coupe. Coupez jusqu'au tiers du diamètre de la branche (Fig. 34).
2. Faites la deuxième coupe de 5 à 10 cm (2 à 4 po) plus loin sur la branche. Coupez vers le bas, à partir de la face supérieure de la branche. Utilisez le bas de la barre de guidage pour faire de cette coupe. Coupez complètement la branche (Fig. 34).
3. Faites la troisième coupe aussi près du tronc d'arbre que possible. Coupez vers le haut, à partir de la face inférieure de la souche. Utilisez le haut de la barre de guidage pour faire de cette coupe. Coupez jusqu'au tiers du diamètre de la branche (Fig. 34).
4. Faites la quatrième coupe directement au-dessus de la troisième coupe. Coupez vers le bas, à partir de la face supérieure de la souche. Utilisez le bas de la barre de guidage pour faire de cette coupe. Coupez complètement la branche afin d'aller rejoindre la troisième coupe (Fig. 34). Cela supprimera la souche.

## ENTRETIEN



**AVERTISSEMENT :** Pour éviter les graves blessures, n'effectuez jamais l'entretien de l'appareil lorsqu'il est en marche. Enlevez toujours la batterie pour empêcher l'appareil de démarrer accidentellement. Laissez toujours l'appareil refroidir avant d'en effectuer l'entretien. Avant de maintenir le chargeur de batterie, débranchez-le toujours de la prise électrique.



**AVERTISSEMENT :** portez des vêtements de protection et respectez toutes les consignes de sécurité pour éviter toute blessure grave.

### PROGRAMME D'ENTRETIEN

Effectuez ces procédures d'entretien obligatoires aux intervalles indiqués dans le tableau. Ces procédures doivent également faire partie d'une mise au point saisonnière.

Tous les services d'entretien courant, autres que les procédures de maintenance décrites dans ce manuel, doivent être effectués par un atelier de réparation agréé.

**REMARQUE :** certaines procédures d'entretien peuvent nécessiter des compétences ou des outils particuliers. En cas de doute quant à ces procédures, emporter l'appareil dans un atelier de réparation MTD agréé.

## RESPONSABILITÉ DU CLIENT

INTERVALLE	D'ENTRETIEN OBLIGATOIRE
Avant chaque utilisation	<ul style="list-style-type: none"> <li>• Vérifier le serrage des vis, des écrous et des boulons (serrer au besoin)</li> <li>• Vérifier les pièces endommagées ou usées*</li> <li>• Vérifier le tranchant de la chaîne de la tronçonneuse. Reportez-vous à <i>Affûtage de la chaîne</i>.</li> <li>• Vérifier la tension de la chaîne (ajuster au besoin). Reportez-vous à <i>Réglage de la tension de la chaîne</i>.</li> <li>• Remplir le réservoir d'huile à chaîne (remplir fréquemment). Reportez-vous à <i>Ajout d'huile à guide-chaîne et à chaîne</i>.</li> </ul>
Après chaque utilisation	<ul style="list-style-type: none"> <li>• Nettoyer l'appareil et vérifier les décalcomanies. Reportez-vous à <i>Nettoyage</i> dans la section <i>Nettoyage et rangement</i>.</li> </ul>
Toutes les 10 heures	<ul style="list-style-type: none"> <li>• Nettoyer la rainure du guide-chaîne et les passages d'huile.</li> </ul>

\* Si un remplacement ou de la maintenance sont requis, faire réparer l'appareil dans un atelier de réparation MTD agréé.

### MAINTENANCE DU CHARGEUR DE BATTERIE

- Gardez le chargeur de batterie sec, propre et exempt de débris. Ne laissez pas des corps étrangers dans la station de charge ou sur les bornes (Fig. 35). Avant chaque utilisation, inspectez le chargeur afin de détecter si des corps étrangers s'y trouvent.
- Assurez-vous que le chargeur n'a pas été court-circuité par des débris. Inspectez les bornes afin de détecter si de la suie et des signes de fonte sont présents. Ne tentez pas d'utiliser un chargeur court-circuité.

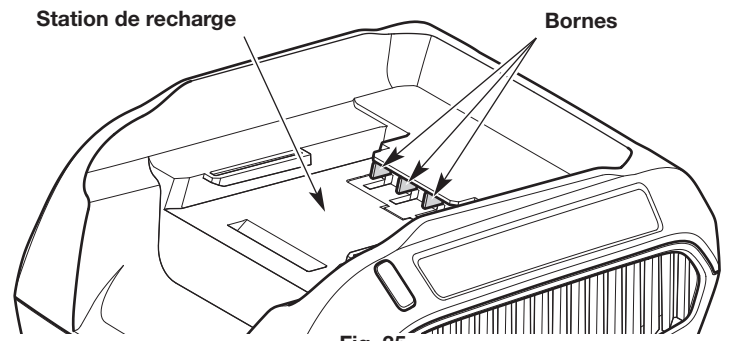


Fig. 35

## AJOUT D'HUILE À GUIDE-CHAÎNE ET À CHAÎNE



**DANGER :** Le fait de ne pas remplir le réservoir d'huile de la chaîne causera des dommages irréparables à l'appareil. Assurez-vous que le réservoir d'huile de la chaîne est toujours rempli. Utilisez toujours l'huile de la barre et de la chaîne.



**AVERTISSEMENT :** Vérifiez fréquemment le niveau d'huile à chaîne afin qu'il ne descende pas à moins de la moitié.

Le guide-chaîne et la chaîne de scie nécessitent une lubrification pour minimiser la friction. Ne privez jamais le guide-chaîne et la chaîne d'huile de lubrification. Faire fonctionner l'appareil sans suffisamment d'huile diminuera l'efficacité de coupe, raccourcira la durée de vie de la chaîne, provoquera le ternissement rapide de la chaîne et l'usure excessive du guide-chaîne en raison de la surchauffe. Une quantité insuffisante d'huile de lubrification est mise en évidence par la fumée, la décoloration du guide-chaîne ou une accumulation de dépôts.

N'utilisez que de l'huile à guide-chaîne et à chaîne qui est formulée pour fonctionner dans une large gamme de températures sans qu'une dilution soit nécessaire dans le réservoir d'huile. N'utilisez pas d'huile de moteur ou toute autre huile à base de pétrole. N'utilisez pas de l'huile sale, usée ou contaminée. Des dommages pourraient survenir au guide-chaîne ou à la chaîne. Jetez l'huile usée conformément à la réglementation fédérale, provinciale et locale.

### Vérification du niveau d'huile de la chaîne

1. Posez l'appareil sur une surface plane. Placez l'unité en position verticale (Fig. 36).
2. Regardez dans la fenêtre de niveau d'huile de la chaîne. Le niveau d'huile doit remplir la fenêtre au moins à mi-chemin (Fig. 36). Si le niveau d'huile est trop bas, ajoutez de l'huile à guide et chaîne. Se reporter à la section *Remplissage du réservoir d'huile de la chaîne*.

### Remplissage du réservoir d'huile de la chaîne

1. Posez l'appareil sur une surface plane. Placez l'unité avec le bouchon d'huile à chaîne vers le haut (Fig. 37).
2. Pour empêcher les débris de pénétrer dans le réservoir d'huile à chaîne, utilisez un chiffon propre pour nettoyer le bouchon d'huile et la zone environnante.
3. Dévissez le capuchon de l'huile à chaîne (Fig. 37).
4. Versez délicatement l'huile dans le réservoir d'huile à chaîne. **NE REMPLISSEZ PAS** trop.
5. Réinstallez le capuchon d'huile à chaîne. Serrez fermement le capuchon.
6. Essuyez toute huile déversée.

## RÉGLAGE DE LA TENSION DE LA CHAÎNE



**ATTENTION :** La tige de guidage, la chaîne et les roulements s'usent plus rapidement si la chaîne n'est pas correctement tendue. Le fait de maintenir une bonne tension de la chaîne permettra d'améliorer les performances de coupe et de prolonger la durée de vie de la chaîne.



**AVERTISSEMENT :** Pour éviter toute blessure grave, ne touchez jamais à la tronçonneuse ni n'ajustez la tension de la chaîne lorsque l'appareil est en marche. Éteignez et rallumez l'unité, puis enlevez la batterie pour empêcher l'appareil de démarrer accidentellement.

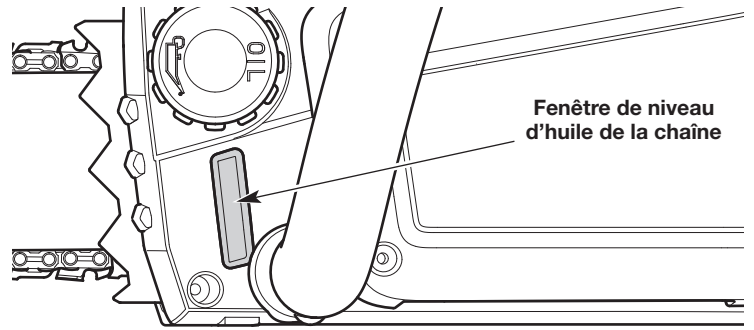


Fig. 36

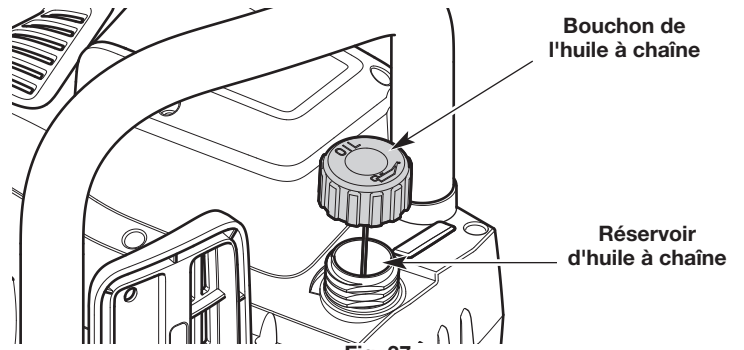


Fig. 37

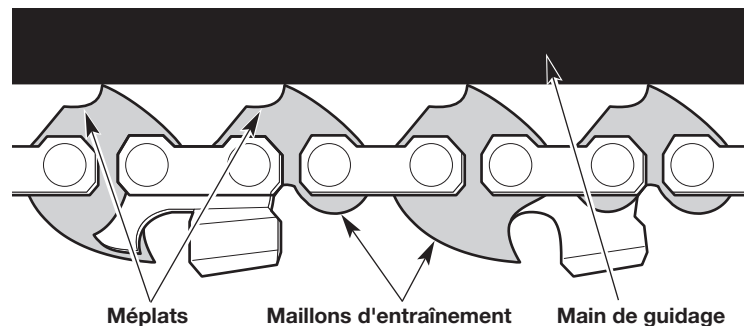


Fig. 38



**AVERTISSEMENT :** La chaîne de scie est extrêmement tranchante. Portez toujours des gants de protection robustes lors de la manipulation ou l'entretien de la tronçonneuse.

Vérifiez la tension de la chaîne avant et pendant le fonctionnement. La chaîne de scie s'allongera tandis qu'elle s'échauffe pendant le fonctionnement. Réglez la tension de la chaîne lorsque les méplats de la chaîne pendent hors de la rainure du guide-chaîne (Fig. 38 et Fig. 42).

**REMARQUE :** Une nouvelle chaîne tend à se détendre et à nécessiter un réajustement après aussi peu que cinq (5) coupes. Ceci est normal pendant la période de rodage. L'intervalle entre les futurs ajustements s'allongera rapidement.

1. Tourner le bouton de la barre dans le sens antihoraire pour desserrer légèrement le revêtement de la barre (Fig. 39). **NE PAS** retirer le revêtement de la barre.
2. Maintenir la barre de guidage tournée vers le haut (Fig. 40) et tourner la bague de tension de la chaîne pour régler la tension (Fig. 41).
  - Tourner la bague de tension de la chaîne dans le sens horaire pour serrer la chaîne de la scie.
  - Tourner la bague de tension de la chaîne dans le sens antihoraire pour desserrer la chaîne de la scie.

La chaîne de la tronçonneuse doit être bien ajustée contre le dessous du guide-chaîne. Il ne doit y avoir aucun fléchissement (Fig. 42).

3. Continuer à maintenir la barre de guidage tournée vers le haut (Fig. 40). Tourner le bouton de la barre dans le sens horaire pour serrer légèrement le revêtement de la barre (Fig. 39).



**ATTENTION :** Si la chaîne a été réglée à chaud, elle peut devenir trop serrée lorsqu'elle refroidit. Desserrer la tension de la chaîne après l'opération et vérifiez sa tension avant la prochaine utilisation.

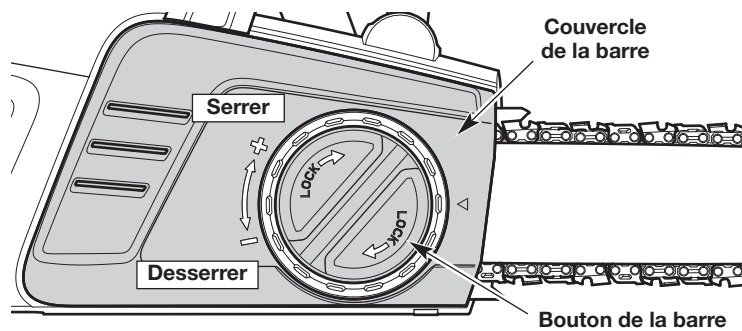


Fig. 39

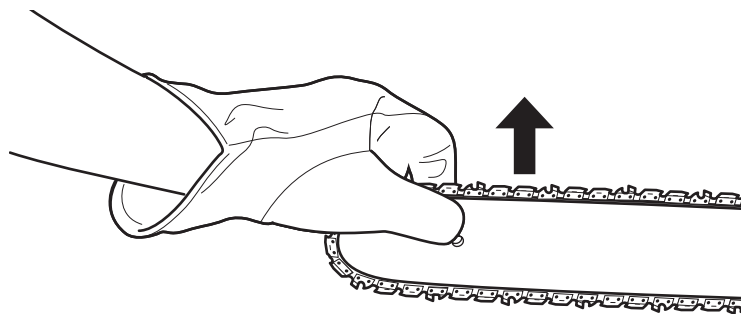


Fig. 40

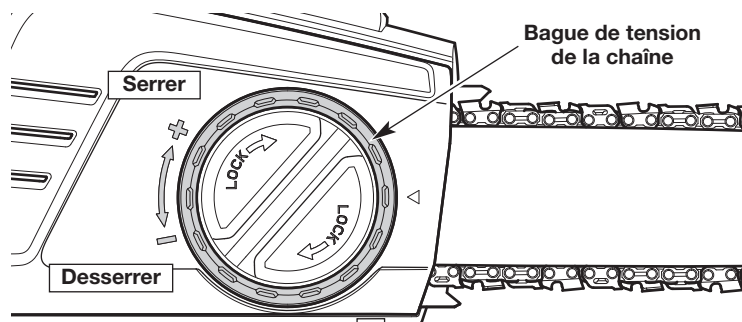


Fig. 41

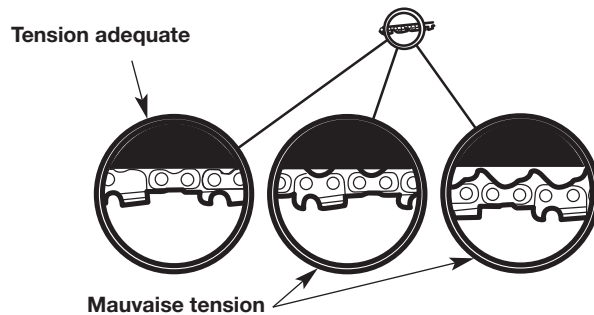


Fig. 42



## RETRAIT ET INSTALLATION DU GUIDE-CHAÎNE ET DE LA CHAÎNE



**AVERTISSEMENT :** La chaîne de scie est extrêmement tranchante. Portez toujours des gants de protection robustes lors de la manipulation ou l'entretien de la tronçonneuse.

Le guide-chaîne et la chaîne doivent être enlevés quand certaines procédures d'entretien sont effectuées, comme au moment de la rotation du guide-chaîne. Lors du remplacement des anciens guide-chaîne et chaînes de scie par de nouvelles pièces, utilisez toujours des pièces de rechange spécifiées par le fabricant. Reportez-vous à *Remplacement du guide-chaîne et de la chaîne*.

### Retrait du guide-chaîne et de la chaîne

1. Tourner le bouton de la barre dans le sens antihoraire pour desserrer le revêtement de la barre (Fig. 39).
2. Retirer le couvercle du guide.
3. Retirer soigneusement la chaîne de scie et la barre de guidage (Fig. 45).
4. Enlevez la chaîne du guide-chaîne.
5. Utiliser un petit tournevis cruciforme pour retirer la vis qui maintient le support sur la barre de guidage (Fig. 43).

### Installation du guide-chaîne et de la chaîne

1. Placer le support sur la barre de guidage (Fig. 43). Aligner l'orifice du support avec l'orifice sur la barre de guidage (Fig. 43). Insérer la vis dans les orifices alignés (Fig. 43). Serrer fermement la vis avec un petit tournevis cruciforme.
2. Déposez la chaîne sur une surface plate et propre et redressez tout entortillement.
3. Faites entrer la chaîne dans la rainure du guide-chaîne (Fig. 44). Assurez-vous que les couteaux pointent dans le bon sens de rotation (Fig. 44). Gardez une boucle de chaîne à l'extrémité arrière du guide-chaîne (Fig. 44).
4. Maintenez la chaîne et le guide-chaîne ensemble, en position sur l'appareil. Enrouler la chaîne de la scie autour de la roue d'entraînement dentée et installer la barre de guidage sur le boulon de la barre de guidage (Fig. 45). Assurez-vous que le guide-chaîne est à plat contre la surface de montage (Fig. 45). Assurez-vous que les méplats de la chaîne se trouvent dans les rainures sur le pignon d'entraînement (Fig. 44).
5. Tournez la bague de tension de chaîne (Fig. 41) jusqu'à ce que la flèche de la bague de tension de chaîne s'aligne avec la flèche sur le couvercle de la barre (Fig. 46).
6. Placer le revêtement de la barre sur le logement du moteur. Assurez-vous que l'attrape-chaîne est correctement fixé dans la fente du recouvre barre (Fig. 47). Assurez-vous que l'attrape-chaîne est correctement fixé dans la fente du recouvre barre (Fig. 47).
7. Tourner la bague de tension de la chaîne (Fig. 41) dans le sens horaire jusqu'à ce que le revêtement de la barre soit relié au logement du moteur et que la barre de guidage commence à se bouger vers l'avant.
8. Tourner le bouton de la barre dans le sens horaire pour serrer légèrement le revêtement de la barre (Fig. 39). **NE PAS** serrer complètement le bouton de la barre.
9. S'assurer que la chaîne de la scie se trouve toujours dans la rainure de la barre de guidage. Ajuster la tension de la chaîne. Se reporter à la rubrique *Réglage de la tension de la chaîne*.
10. Maintenir la barre de guidage tournée vers le haut (Fig. 40). Tourner le bouton de la barre dans le sens horaire pour serrer légèrement le revêtement de la barre (Fig. 39).

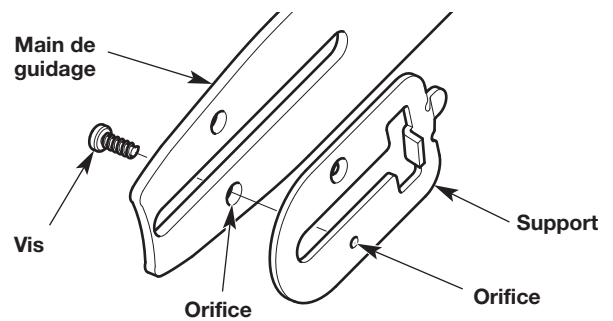


Fig. 43

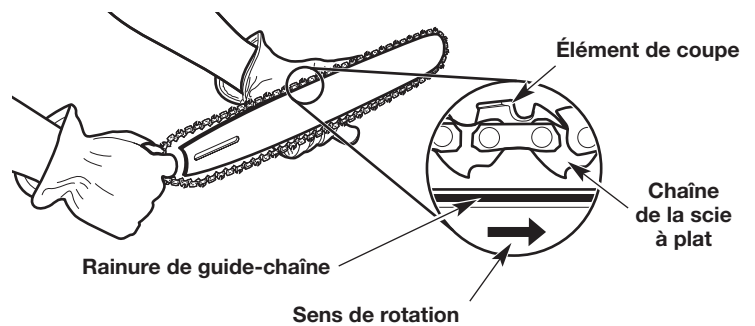


Fig. 44

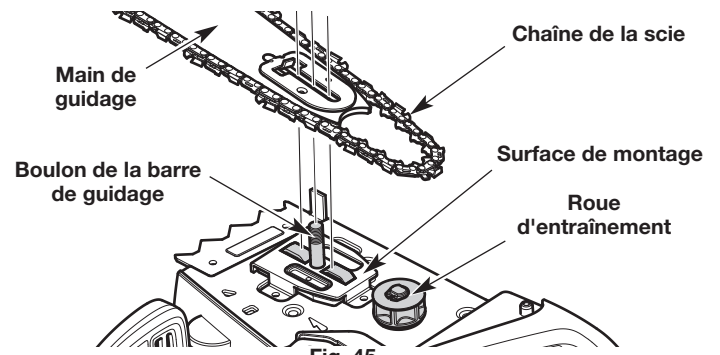


Fig. 45

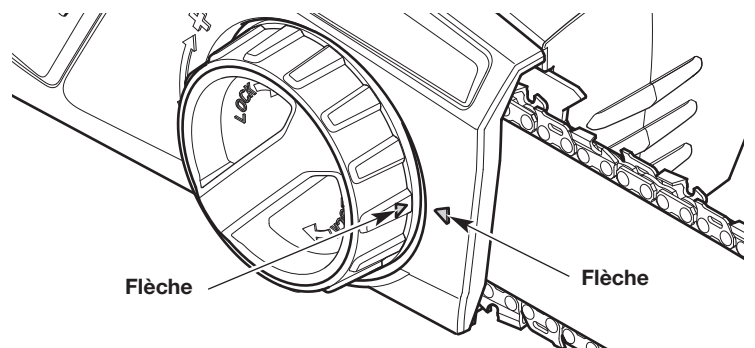


Fig. 46

## ENTRETIEN DE LA CHAÎNE

	<b>AVERTISSEMENT</b> : La chaîne de scie est extrêmement tranchante. Portez toujours des gants de protection robustes lors de la manipulation ou l'entretien de la tronçonneuse.
	<b>AVERTISSEMENT</b> : Une chaîne de tronçonneuse mal affûtée augmente le risque de rebond. Ne pas remplacer ou entretenir correctement la tronçonneuse peut entraîner des blessures graves.
	<b>ATTENTION</b> : Une chaîne émoussée ou incorrectement affûtée peut causer une vitesse excessive du moteur pendant le fonctionnement, ce qui peut entraîner de graves dommages au moteur.

Pour assurer un fonctionnement sûr et efficace, la chaîne doit être correctement entretenue.

La chaîne s'usera avec utilisation, provoquant l'étirement de la chaîne. C'est normal. Quand il ne sera plus possible d'obtenir un réglage adéquat de la tension de la chaîne, la chaîne de la scie devra être réparée par un atelier de réparation agréé ou être remplacée.

Reportez-vous à *Remplacement du guide-chaîne et de la chaîne*.

Gardez toujours la chaîne bien affûtée. Pendant le fonctionnement, gardez les yeux ouverts sur les indicateurs suivants d'une chaîne émoussée :

- les copeaux de bois sont petits et poudreux.
- la chaîne de la tronçonneuse doit être forcée à travers le bois.
- la tronçonneuse coupe d'un côté.

Si l'une ou l'autre de ces conditions est présente, aiguissez ou remplacez la chaîne. Reportez-vous à la section *Remplacement de la barre de guidage et de la chaîne de scie*.

**REMARQUE** : Si vous ne comprenez pas complètement le processus d'affûtage adéquat d'une chaîne de scie, faites-la affûter par un centre de service autorisé ou remplacez-la.

## ENTRETIEN DE LA TIGE DE GUIDAGE

1. Faites fréquemment pivoter la tige de guidage, à intervalles réguliers (par exemple, après 5 heures de fonctionnement), pour assurer une usure uniforme sur le dessus et le dessous de la tige de guidage. Reportez-vous à *Retrait et installation du guide-chaîne et de la chaîne*.
2. Nettoyez la rainure de la tige de guidage et les passages d'huile chaque fois que la chaîne est enlevée, lorsque l'appareil a été largement utilisé ou lorsque la chaîne semble sale. Utilisez un tournevis, un couteau à mastic, une brosse d'acier ou un instrument similaire pour enlever les débris de la rainure de la tige de guidage (Fig. 48). Utilisez un petit fil souple pour enlever les débris du trou d'évacuation d'huile de la chaîne (Fig. 49).

**REMARQUE** : Si les passages d'huile sont dégagés, la chaîne vaporisera un peu d'huile peu de temps après qu'elle se mette à tourner pendant le fonctionnement.

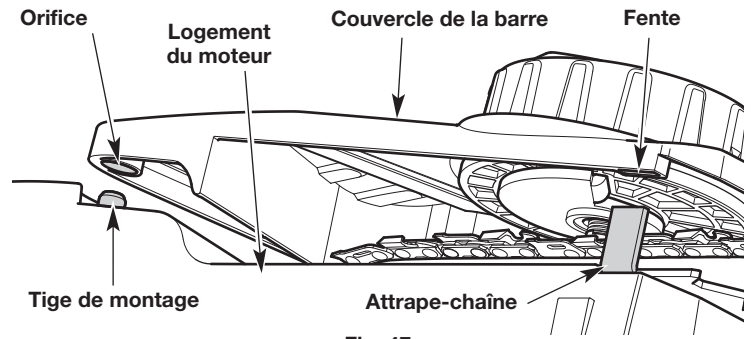


Fig. 47

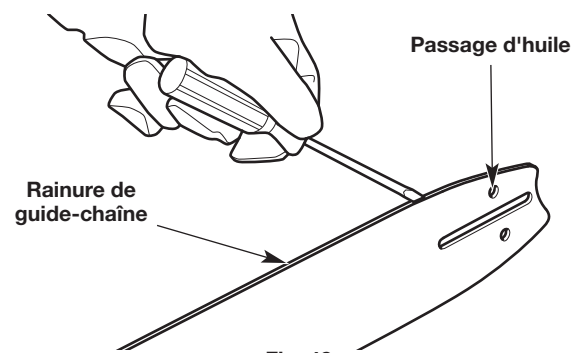


Fig. 48

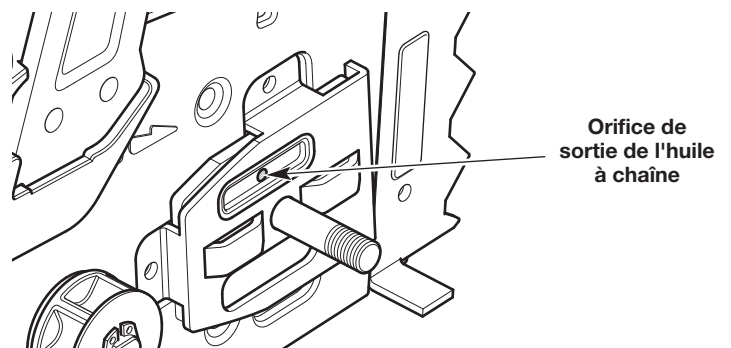


Fig. 49

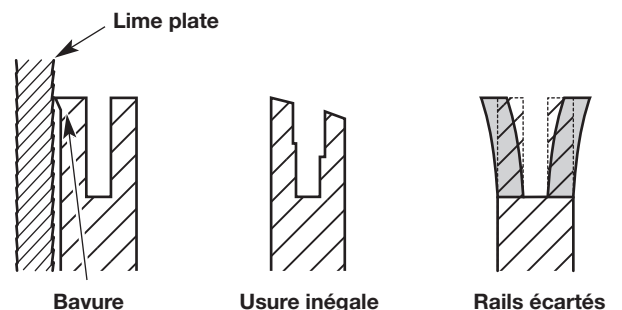


Fig. 50

3. Vérifiez fréquemment la tige de guidage afin d'y déceler des signes de dommages (Fig. 50). L'usure irrégulière et l'ébarbage des rails de guidage (les nervures de chaque côté de la rainure de la tige) sont des processus normaux d'usure de la tige de guidage. Ces défauts doivent être limés dès qu'ils se produisent (Fig. 50). Une tige de guidage avec les défauts suivants doit être remplacée :

- Usure à l'intérieur des rails de guidage qui permet à la chaîne de se coucher sur le côté.
- Une tige de guidage courbée.
- Des rails brisés ou fêlés.
- Des rails écartés.

Reportez-vous à *Remplacement du guide-chaîne et de la chaîne*.

## REPLACEMENT DU GUIDE-CHAÎNE ET DE LA CHAÎNE



**AVERTISSEMENT :** Utilisez toujours une scie à chaîne à faible rebond, ce qui réduit considérablement le risque de rebond. Une chaîne à faible risque de rebond n'élimine pas complètement le rebond. Un faible rebond et une « chaîne de sécurité » ne doivent jamais être considérés comme une protection totale contre les blessures.

Lors du remplacement du guide-chaîne et de la chaîne, n'utilisez que les pièces de rechange spécifiées par le fabricant ou leurs équivalents. Reportez-vous aux *Pièces de rechange*. L'utilisation de pièces ou d'accessoires non autorisés peut entraîner des blessures sérieuses à l'opérateur ou endommager l'appareil et annuler la garantie. Utilisez toujours une scie à chaîne de remplacement désignée comme étant à faible risque de rebond ou une scie à chaîne qui répond aux exigences de rendement à faible rebond. Une chaîne de scie standard (une chaîne qui n'a pas de liens antirebond) doit être utilisée uniquement par un opérateur de scie à chaîne professionnel et expérimenté.

## NETTOYAGE ET ENTREPOSAGE

### NETTOYAGE



**AVERTISSEMENT :** Pour éviter de graves blessures, ne nettoyez jamais l'appareil lorsqu'il est en marche. Enlevez toujours la batterie pour empêcher le démarrage accidentel de l'appareil. Laissez toujours l'appareil refroidir avant de le nettoyer. Débranchez toujours le chargeur de batterie avant de le nettoyer.



**AVERTISSEMENT :** Pour éviter les blessures graves, n'utilisez pas d'eau pour nettoyer l'appareil, la batterie ou le chargeur de batterie. N'arrosez pas l'unité avec de l'eau. Ne pas plonger l'appareil dans l'eau ou tout autre liquide. N'utilisez pas de détergents puissants. Les nettoyants ménagers contenant des huiles aromatiques telles que le pin et le citron, ainsi que les solvants tels que le kérosène peuvent endommager le plastique.

1. Desserrez la chaîne si la tension a été ajustée en cours de fonctionnement. La chaîne se contractera pendant que l'unité se refroidit, ce qui pourrait endommager l'appareil si la chaîne est trop tendue.
2. Utilisez une petite brosse ou un chiffon propre et sec pour nettoyer l'extérieur de l'appareil, de la batterie ou du chargeur de batterie.

**REMARQUE :** Lors de la préparation du rangement de l'appareil pour une longue durée (30 jours ou plus), retirez le guide-chaîne et la chaîne. Nettoyez soigneusement le couvercle du guide-chaîne, la surface de montage du guide-chaîne et la roue dentée. Utilisez une brosse non métallique rigide pour nettoyer la rainure du guide-chaîne. Remontez l'appareil.

3. Enduisez légèrement la tige de guidage et la chaîne avec une huile anticorrosion.

### ENTREPOSAGE

- Enlevez la batterie de l'appareil.
- Desserrez la chaîne si la tension a été ajustée en cours de fonctionnement. La chaîne se contractera pendant que l'unité se refroidit, ce qui pourrait endommager l'appareil si la chaîne est trop tendue.
- Laisser l'appareil, la batterie ou le chargeur de la batterie refroidir.
- Nettoyer soigneusement l'appareil, la batterie et le chargeur de batterie. Les inspecter pour découvrir toutes les pièces lâches ou endommagées. Remplacez les pièces endommagées et serrez les vis, écrous et boulons.
- Couvrez le guide et la chaîne avec le fourreau.
- Bloquer l'appareil, la batterie et le chargeur de batterie pour éviter toute utilisation ou tout accident indésirable.
- Conserver l'appareil, la batterie et le chargeur de batterie à l'intérieur, dans un endroit sec et bien aéré.
- Rangez la batterie et le chargeur de batterie dans un endroit se trouvant entre 18 et 24 °C (65 et 75 °F).
- Débranchez toujours le chargeur de batterie quand il n'est pas utilisé.
- Laisser l'appareil, la batterie et le chargeur de batterie hors de la portée des enfants.
- Si la batterie n'est pas utilisée pendant plus de deux mois, rechargez-la complètement avant de l'utiliser.

**REMARQUE :** Il est normal que de l'huile à chaîne et à guide-chaîne suinte de l'appareil lorsqu'il n'est pas utilisé. Veuillez prendre ceci en considération lorsque vous rangez l'appareil.

## RÉSOLUTION DES PROBLÈMES

PROBLÈME	SOLUTION
<b>LA BATTERIE NE SE CHARGE PAS</b>	
Le chargeur de batterie n'est pas branché	Branchez le chargeur dans une source de courant alternatif de 120 volts 60Hz
La batterie n'est pas complètement insérée dans le chargeur de batterie	Enlevez et remettez complètement la batterie dans le chargeur de batterie
La batterie ou le chargeur sont trop chauds ou trop froids	S'assurer que la batterie et le chargeur sont dans un environnement où la température oscille entre 0 ° et 40 °C (32 ° et 104 °F). Prévoir du temps pour que la batterie ou le chargeur se réchauffer ou se refroidir.
La batterie ou le chargeur de batterie ne sont plus fonctionnels	Reportez-vous à la section <i>Garantie</i> pour connaître l'information de remplacement
<b>LA BATTERIE SE DÉCHARGE RAPIDEMENT</b>	
La batterie n'est pas entièrement chargée	Rechargez la batterie complètement
La batterie ou le chargeur de batterie ne sont plus fonctionnels	Reportez-vous à la section <i>Garantie</i> pour connaître l'information de remplacement
<b>LE MOTEUR NE FONCTIONNE PAS</b>	
La batterie n'a pas une charge suffisante	Rechargez la batterie complètement
La batterie n'est pas entièrement chargée	Retirez et réinstallez la batterie
Le blocage de la détente n'était pas engagé	Appuyez sur le blocage de la détente et maintenez-la enfoncée avant de relâcher la détente
<b>LE MOTEUR S'ARRÊTE EN COURS D'UTILISATION, MAIS LA BATTERIE A TOUJOURS UNE CHARGE SUFFISANTE</b>	
Les systèmes de protection de l'appareil se sont engagés	Enlevez la batterie et laissez la refroidir pendant 30 secondes, puis réinstallez la batterie
<b>LA CHAÎNE DE LA SCIE SORT DE LA BARRE DE GUIDAGE</b>	
Une tension de la chaîne est insuffisante	Ajuster la tension de la chaîne de la scie
La barre de guidage et la chaîne de la scie ne sont pas correctement assemblées	Reportez-vous à <i>Retrait et installation du guide-chaîne et de la chaîne</i>
<b>LA BARRE DE GUIDAGE ET LA CHAÎNE DE LA SCIE FONCTIONNENT À UNE TEMPÉRATURE ÉLEVÉE, PRODUISENT DE LA FUMÉE OU SONT COINCÉS</b>	
La tension de la chaîne de la scie est trop serrée	Ajuster la tension de la chaîne de la scie
La chaîne de scie et le guide manquent d'huile	Remplir le réservoir d'huile à chaîne
La rainure du guide-chaîne et les passages d'huile sont sales	Nettoyez le guide-chaîne et les passages d'huile
<b>LA CHAÎNE DE LA SCIE NE TOURNE PAS</b>	
La tension de la chaîne de la scie est trop serrée	Ajuster la tension de la chaîne de la scie
La barre de guidage et la chaîne de la scie ne sont pas correctement assemblées	Reportez-vous à <i>Retrait et installation du guide-chaîne et de la chaîne</i>
La barre de guidage et la chaîne de la scie sont endommagées	Inspecter la barre de guidage et la chaîne de la scie pour la présence de dommages. Les remplacer au besoin
L'assemblage d'entraînement est endommagé	Se reporter aux informations sur le <i>Service</i>
<b>LA CHAÎNE DE LA SCIE TOURNE, MAIS NE COUPE PAS</b>	
La chaîne de la scie est émoussée	Aiguiser ou remplacer la chaîne
La chaîne de la scie est posée à l'envers	Vérifier et corriger la direction de la chaîne de la scie

Si une assistance supplémentaire est nécessaire, communiquer avec un atelier de réparation agréé.

# REMINGTON®

## GARANTIE LIMITÉE DE REMINGTON LLC

### Garantie Limitée

La garantie limitée énoncée dans le présent document est octroyée par Remington LLC pour les nouveaux produits de marque Remington (ci-après dénommés « produit ») achetés et utilisés aux États-Unis ou au Canada par l'acheteur initial (comme défini dans le présent document). Ce produit n'est pas destiné à la location ou à une utilisation commerciale.

### Portée de cette garantie limitée

Remington LLC offre à l'acheteur initial la garantie limitée suivante pour une utilisation résidentielle et non commerciale : à l'exception des exclusions (définies dans la présente), pendant la période de garantie (comme défini dans le présent document), ce produit (à l'exclusion de la batterie et du chargeur de batterie) sera exempt de défauts de fabrication, y compris de défauts de fabrication et de matériaux. L'« acheteur initial » est la première personne qui achète ce nouveau produit auprès d'un revendeur, distributeur ou détaillant agréé Remington de tels produits. Cette garantie limitée est non transférable. Sous réserve des exclusions et sauf indication contraire dans le présent document, la période de garantie limitée de ce nouveau produit acheté par l'acheteur initial est de **trois (3) ans** à compter de la date d'achat indiquée sur le reçu de vente original pour le produit (« Période de garantie »).

### Défauts de fabrication ou de matériaux

Sous réserve des exclusions et sauf indication contraire dans le présent document, nous certifions que ce produit est exempt de défectuosité (de fabrication ou de matériaux) pour la période de garantie. Au cours de la période de garantie, Remington LLC, à son gré, réparera ou remplacera toute pièce d'origine couverte par cette garantie limitée et déterminée comme comportant un défaut de fabrication ou de matériel.

### Pour être admissible à cette garantie limitée, ce produit :

1. Doit avoir été acheté chez un détaillant autorisé.
2. Doit avoir été acheté par l'acheteur initial aux États-Unis ou au Canada.
3. Doit avoir été utilisé à des fins résidentielles (et non commerciales) seulement.
4. Doit avoir été utilisé d'une manière compatible avec l'utilisation prévue normale et adéquate pour ce produit.

### Qui peut effectuer des réparations dans le cadre de cette garantie?

Afin de se qualifier pour la garantie limitée selon ce document, les réparations effectuées dans le cadre de cette garantie doivent être effectuées par un fournisseur de services Remington agréé.

### Comment obtenir un service en vertu de cette garantie limitée.

Pour trouver un fournisseur de service de garantie Remington, communiquez avec votre revendeur, distributeur ou détaillant autorisé de Remington ou communiquez avec Remington LLC chez P.O. Box 361032, Cleveland, Ohio 44136-0019, composez le 1 866 206-2707 ou accédez à notre site Web à l'adresse [www.remingtonpowertools.com](http://www.remingtonpowertools.com). Au Canada, Communiquez avec MTD Products Limited, 97 Kent Avenue, Kitchener, ON N2G 3R2, ou téléphonez au 1 877 696-5533 ou consultez le site Web référencé ci-dessus Cette garantie limitée du produit est fournie par Remington LLC et il s'agit de la seule garantie de produit fourni par Remington LLC pour ce produit. UNE COPIE DE VOTRE FACTURE EST REQUISE POUR OBTENIR UN SERVICE DE GARANTIE.

### Ce que cette garantie limitée ne couvre pas.

#### Cette garantie limitée ne couvre pas ce qui suit (les « Exclusions »):

1. Produit acheté à l'extérieur des États-Unis ou du Canada.
2. Les dommages causés par un manque d'entretien ou un entretien inadéquat comme décrit dans le manuel de l'opérateur.

3. L'usure normale résultant de l'utilisation de ce produit.
4. Les pièces à usure normale (comme définies dans la présente) sont garanties contre tous vices de matière et de fabrication pour une période de trente (30) jours à partir de la date d'achat initiale du produit ou de la location par l'acheteur initial. Aux fins de la présente garantie limitée, les « pièces à usure normale » comprennent, sans toutefois en exclure d'autres, des articles comme : boutons de butée, bobines extérieures, ligne de coupe, bobines intérieures, poulies de démarrage, cordes de démarrage, courroies de transmission, chaînes de scies, barres de guidage, dents et / ou lames de cultivateur.
5. L'utilisation d'un produit qui n'est pas compatible avec l'utilisation prévue d'un tel produit comme décrit dans les instructions d'utilisation, y compris et sans en exclure d'autres, l'abus, le mauvais usage ou le manque d'attention accordé au produit ou toute utilisation incompatible ou non conforme des instructions comprises dans le manuel de l'opérateur.
6. Tout produit qui a été altéré ou modifié d'une manière non conforme à la conception d'origine du produit ou d'une manière non approuvée par Remington LLC.
7. Les jantes (lorsqu'elles sont installées) sont couvertes pendant une période de trois (3) mois à compter de la date d'achat initiale par l'acheteur initial contre les défauts de fabrication.
8. La batterie fournie avec ce produit est garantie être exempte de défauts de matériaux et de fabrication pendant une période de **trois (3) ans** à compter de la date d'achat initiale par l'Acheteur initial.
9. Le chargeur de batterie fourni avec ce produit est garanti être exempt de défauts de matériaux et de fabrication pendant une période de **trois (3) ans** à compter de la date d'achat initiale par l'Acheteur initial.

**Cette garantie ne couvre pas et Remington LLC déclare toute responsabilité en ce qui concerne les questions, y compris, mais pas limité, les éléments suivants :**

1. La perte de temps ou perte d'utilisation du produit.
2. Les frais de transport et autres frais liés au transport du produit en provenance et à destination du fournisseur de service de garantie agréé Remington.
3. La perte ou l'endommagement à d'autres équipements ou objets personnels.
4. Les dommages causés par un mauvais entretien ou l'utilisation de carburant, d'huile ou de lubrifiants autres que ceux approuvés et précisés dans le manuel de l'opérateur.
5. Les dommages résultant de l'installation ou l'usage d'une pièce ou d'un accessoire non approuvé par Remington LLC pour une utilisation avec le produit.

**Limites :**

1. IL N'Y A AUCUNE GARANTIE IMPLICITE Y COMPRIS, SANS TOUTEFOIS S'Y LIMITER, TOUTE GARANTIE IMPLICITE DE QUALITÉ MARCHANDE OU DE CONVENANCE PRÉCISE POUR UN OBJECTIF PARTICULIER. IL N'Y A AUCUNE GARANTIE IMPLICITE Y COMPRIS, SANS TOUTEFOIS S'Y LIMITER, TOUTE GARANTIE IMPLICITE DE QUALITÉ MARCHANDE OU DE CONVENANCE PRÉCISE POUR UN OBJECTIF PARTICULIER. AUCUNE GARANTIE NE S'APPLIQUE APRÈS LES DÉLAIS DE LA GARANTIE APPLICABLE ÉCRITE CI-DESSUS QUANT AUX PIÈCES IDENTIFIÉES. AUCUNE AUTRE GARANTIE EXPRESSE, ÉCRITE OU VERBALE, À L'EXCEPTION DE LA GARANTIE STIPULÉE CI-DESSUS, OFFERTE PAR UN TIERS OU UN AUTRE ORGANISME NOTAMMENT UN CONCESSIONNAIRE OU UN DÉTAILLANT, CONCERNANT N'IMPORTE QUEL PRODUIT, NE SAURAIT REMINGTON LLC. AU COURS DE LA PÉRIODE DE GARANTIE, LE RECOURS UNIQUE OFFERT EST LA RÉPARATION OU LE REMPLACEMENT DU PRODUIT COMME IL EST STIPULÉ CI-DESSUS. (CERTAINS ÉTATS ET CERTAINES PROVINCES NE PERMETTENT PAS LES LIMITATIONS SUR LA DURÉE D'UNE GARANTIE IMPLICITE, DE SORTE QUE LA LIMITATION CI-DESSUS PEUT NE PAS S'APPLIQUER À VOUS.)
2. LES CONDITIONS STIPULÉES DANS LA PRÉSENTE GARANTIE CONSTITUENT LE RECOURS UNIQUE ET EXCLUSIF DÉCOULANT DE LA VENTE DE SES PRODUITS. REMINGTON LLC NE PEUT ÊTRE TENUE RESPONSABLE POUR TOUTE PERTE OU TOUT DOMMAGE ACCIDENTEL OU INDIRECT Y COMPRIS, SANS TOUTEFOIS S'Y LIMITER, AUX DÉPENSES AFFÉRENTES AUX SERVICES DE TRANSPORT OU AUX FRAIS CONNEXES, DE LOCATION POUR REMPLACER TEMPORAIREMENT UN PRODUIT GARANTI. (CERTAINS ÉTATS ET CERTAINES PROVINCES N'AUTORISENT PAS L'EXCLUSION OU LA LIMITATION DES DOMMAGES ACCIDENTELS OU INDIRECTS. IL SE POURRAIT ALORS QUE LES EXCLUSIONS OU LIMITATIONS STIPULÉES NE S'APPLIQUENT PAS DANS VOTRE CAS.)
3. En aucune éventualité, la valeur du recouvrement ne saurait être supérieure à celle du prix d'achat du produit vendu. En aucune éventualité, la valeur du recouvrement ne saurait être supérieure à celle du prix d'achat du produit vendu. Vous assumez les risques et la responsabilité des pertes, des dommages ou des préjudices subis par vous ou vos biens votre propriété ou par d'autres personnes et de leurs biens, qui découlent d'une utilisation inappropriée ou d'une incapacité d'utiliser le produit.

**Lois provinciales et étatiques en lien avec la présente garantie.**

La présente garantie limitée vous donne des droits spécifiques. Il se pourrait que vous ayez d'autres droits qui varient d'un état à l'autre.

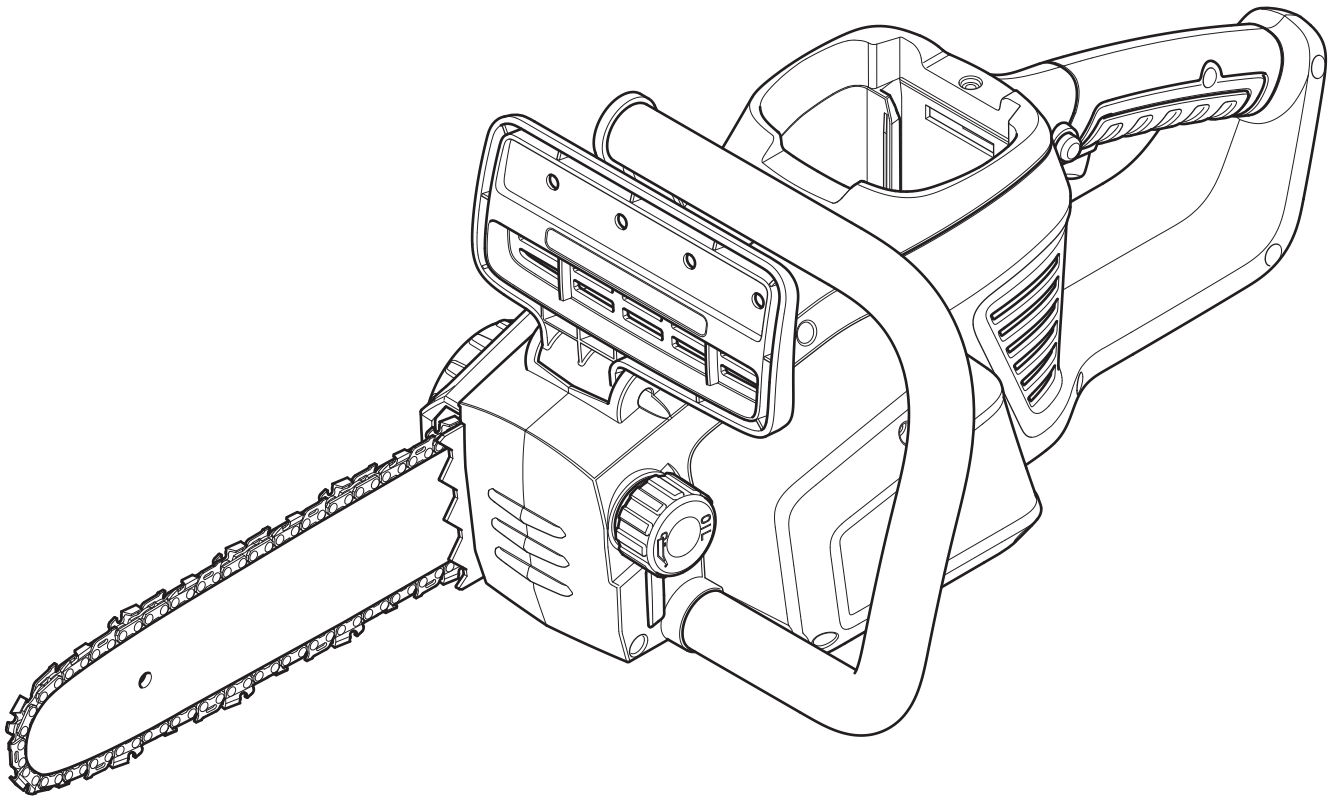
# **REMINGTON®**

## **Manual del Operador**

TRADUCCIÓN DE LAS INSTRUCCIONES ORIGINALES

### **RM4040 / RM4040B**

**Motosierra Sin Cable**



### **CONSERVE ESTAS INSTRUCCIONES**

**IMPORTANTE:** Lea este manual por completo antes de utilizar este producto. Siga todas las instrucciones.

## TABLA DE CONTENIDO

Servicio .....	.64
Seguridad .....	.64
Conozca su unidad .....	.73
Términos y definiciones fundamentales .....	.75
Especificaciones .....	.76
Ensamblaje .....	.76
Arranque y parada .....	.78
Operación .....	.80
Mantenimiento .....	.87
Limpieza y almacenamiento .....	.92
Localización y solución de problemas .....	.93
Garantía .....	.94

**NOTA:** Este manual del operador cubre múltiples modelos. Las características pueden variar según los modelos. No todas las características de este manual son aplicables a todos los modelos. El modelo descrito puede diferir del suyo.

Toda la información, las ilustraciones y las especificaciones contenidas en este manual se basan en la información más reciente disponible en el momento de impresión del manual. Nos reservamos el derecho de hacer cambios en cualquier momento sin aviso previo. El producto puede variar ligeramente de las ilustraciones contenidas en este manual.

Copyright © 2017 MTD SOUTHWEST INC. Todos los derechos reservados.

## SERVICIO

**NO DEVUELVA ESTA UNIDAD AL VENDEDOR. PARA SOLICITAR SERVICIO POR GARANTÍA, DEBERÁ PRESENTAR EL COMPROBANTE DE COMPRA.**


Para obtener ayuda en relación con el montaje, el funcionamiento o el mantenimiento de la unidad, llame al **1-866-206-2707** (en los Estados Unidos) o al **1-877-696-5533** (en Canadá). Se puede encontrar información adicional en **www.remingtonpowertools.com**.


El servicio de la garantía está disponible a través de su distribuidor local de servicio autorizado. Para ubicar un Centro de servicio de reparaciones en su zona, visite nuestro sitio web o llame al número que aparece arriba. La reparación y el mantenimiento de la presente unidad, tanto dentro del período de la garantía como después de él, sólo deben realizarlos un centro de servicio autorizado. Cuando vaya a dar mantenimiento al equipo, utilice solo piezas de repuesto idénticas.


## SEGURIDAD

El objetivo de los símbolos de seguridad es dirigir su atención hacia posibles peligros. Los símbolos de seguridad, así como sus explicaciones, necesitan su atención y comprensión completas. Las advertencias de seguridad no eliminan por sí mismas ningún peligro. Las instrucciones o advertencias que contienen no reemplazan a las medidas adecuadas de prevención de accidentes.

### SÍMBOLOS SIGNIFICADO

 **PELIGRO:** Indica un peligro EXTREMO. Si no se respeta un símbolo de seguridad de **PELIGRO** usted mismo u otras personas sufrirán lesiones graves o la muerte.

 **ADVERTENCIA:** Indica un peligro GRAVE. Si no se respeta un símbolo de **ADVERTENCIA** de seguridad usted mismo u otras personas **PUEDEN** sufrir lesiones graves.

 **PRECAUCIÓN:** Indica un peligro de GRAVEDAD MODERADA. Si no se respeta un símbolo de seguridad de **PRECAUCIÓN** usted mismo u otras personas **PUEDEN** sufrir lesiones o se **PUEDEN** producir daños materiales.



### PROPOSICIÓN 65 DE CALIFORNIA

**ADVERTENCIA:** Este producto contiene una sustancia química que según el Estado de California puede producir cáncer, defectos de nacimiento u otros problemas reproductivos.

**Lea el manual del operador y siga todas las advertencias e instrucciones de seguridad. Si no lo hace, el operador y/o los observadores pueden sufrir lesiones graves.**

**NOTA:** Proporciona información o instrucciones de vital importancia para el funcionamiento o el mantenimiento del equipo.



# • INSTRUCCIONES DE SEGURIDAD IMPORTANTES •

## ADVERTENCIAS GENERALES SOBRE LA SEGURIDAD DE LAS HERRAMIENTAS ELÉCTRICAS



**ADVERTENCIA:** Lea todas las instrucciones y todas las advertencias de seguridad. Si no se cumplen las advertencias e instrucciones se pueden producir descargas eléctricas, incendios y/o lesiones graves.

Guarde todas las advertencias e instrucciones para futuras consultas.

El término “herramienta eléctrica” que se incluye en las advertencias se refiere a su herramienta eléctrica alimentada por la red principal (con cable) o la herramienta a batería (sin cable).

### 1) Seguridad en el lugar de trabajo

- Mantenga el lugar de trabajo limpio y bien iluminado.** Si el lugar está desordenado u oscuro aumentan las probabilidades de que se produzcan accidentes.
- No utilice las herramientas eléctricas en atmósferas explosivas, por ejemplo, en presencia de líquidos, gases o polvo inflamables.** Las herramientas eléctricas generan chispas que pueden encender el polvo o los gases.
- Mantenga alejados a los niños y a los observadores mientras use una herramienta eléctrica.** Las distracciones pueden hacer que pierda el control.

### 2) Seguridad eléctrica

- Los enchufes de las herramientas eléctricas deben coincidir con el tomacorriente. No modifique nunca el enchufe de ninguna manera. No use enchufes adaptadores con herramientas eléctricas conectadas a tierra (puestas a tierra).** Si no se modifican los enchufes y los tomacorrientes coinciden, se reduce el riesgo de que se produzcan descargas eléctricas.
- Evite el contacto del cuerpo con superficies conectadas o puestas a tierra, tales como tuberías, radiadores, estufas y refrigeradores.** Existe un mayor riesgo de que se produzca una descarga eléctrica si el cuerpo del operador se conecta o se pone a tierra.
- No exponga las herramientas eléctricas a la lluvia o a condiciones de humedad.** Si entra agua en una herramienta eléctrica, aumenta el riesgo de que se produzcan descargas eléctricas.
- Trate con cuidado el cable. Nunca use el cable para transportar la herramienta eléctrica, tirar de ella hacia usted o desenchufarla. Mantenga el cable alejado de fuentes de calor, aceite, bordes filosos y piezas móviles.** Si los cables se dañan o enganchan, aumenta el riesgo de que se produzcan descargas eléctricas.
- Cuando utilice una herramienta eléctrica al aire libre, use un prolongador apropiado para usarse al aire libre.** Si se utiliza un cable apropiado para usarse al aire libre, se reduce el riesgo de que se produzcan descargas eléctricas.
- Si es inevitable manipular una herramienta eléctrica en un lugar húmedo, utilice un suministro protegido por interruptor de circuito accionado por corriente de pérdida a tierra (GFCI).** La utilización de un GFCI reduce el riesgo de descarga eléctrica.

### 3) Seguridad personal

- Manténgase alerta, preste atención a lo que está haciendo y use su sentido común cuando opere la herramienta eléctrica. No utilice una herramienta eléctrica si está cansado o bajo la influencia de drogas, alcohol o medicamentos.** Con tan sólo un momento de distracción durante el uso de herramientas eléctricas, se pueden producir graves lesiones.
- Utilice equipos de protección personal. Utilice siempre protección ocular.** Si se utilizan equipos de seguridad tales como la máscara antipolvo, calzado de seguridad antideslizante, casco duro o protección auditiva para las condiciones apropiadas, se reducirá las lesiones.
- Evite arranques accidentales. Asegúrese de que el interruptor de la herramienta esté en la posición de apagado antes de conectarla a la fuente de alimentación de corriente y/o la batería, de sujetarla o de transportarla.** Transportar herramientas eléctricas con el dedo en el interruptor o activar herramientas eléctricas que tengan el interruptor en la posición de encendido (“ON”) aumenta las probabilidades de que se produzcan accidentes.
- Quite cualquier llave de ajuste o de tuerca que haya, antes de encender la herramienta eléctrica.** Si se deja una llave de tuerca o de ajuste junto a una pieza giratoria de la herramienta eléctrica, podría provocar lesiones.
- No adopte posturas forzadas para llegar a lugares difíciles de alcanzar. Siempre se debe mantener bien afirmado y nunca debe perder el equilibrio.** Esto permite controlar mejor la herramienta eléctrica en situaciones imprevistas.
- Utilice vestimenta apropiada. No utilice ropa suelta ni alhajas. Mantenga el cabello, la ropa y los guantes alejados de las piezas móviles.** Las ropas sueltas, las joyas o el cabello largo pueden enredarse en las piezas móviles.
- Si se proveen dispositivos para la conexión de medios de extracción y recolección de polvo, asegúrese de que estén conectados y se utilicen como corresponde.** El uso de medios de recolección de polvo puede reducir los peligros relacionados con el polvo.

### 4) Uso y cuidado de las herramientas eléctricas

- No fuerce la herramienta eléctrica. Use la herramienta eléctrica correcta para lo que desea realizar.** Si se utiliza la herramienta eléctrica correcta, se trabajará mejor y con más seguridad a la velocidad para la cual fue diseñada.
- No use la herramienta eléctrica si no se la puede encender y apagar con el interruptor.** Cualquier herramienta eléctrica que no se pueda controlar con el interruptor es peligrosa y se la debe reparar.
- Desconecte la herramienta eléctrica del enchufe de la fuente de energía y/o la batería antes de hacer cualquier tipo ajuste, cambiar accesorios o almacenarla.** Dichas medidas preventivas de seguridad reducen el riesgo de arrancar la herramienta eléctrica por accidente.
- Guarde fuera del alcance de los niños las herramientas que no se usen, y no permita que la operen personas que no estén familiarizadas con la herramienta eléctrica o con estas instrucciones.** Las herramientas eléctricas son peligrosas en manos de usuarios que no estén capacitados para operarlas.
- Realice el mantenimiento de las herramientas eléctricas.** Compruebe si hay piezas móviles fuera de alineación o atascadas, si hay piezas rotas, y si existe cualquier otra situación que pudiera afectar el funcionamiento de la herramienta eléctrica. Si está dañada, haga que la reparen antes de usarla. Muchos accidentes son provocados por herramientas eléctricas que reciben un mantenimiento deficiente.

- f) **Mantenga afiladas y limpias las herramientas que se usan para cortar.** *Si las herramientas que se usan para cortar que poseen bordes cortantes afilados reciben un mantenimiento adecuado es menos probable que se atasquen y son más fáciles de controlar.*
- g) **Use la herramienta eléctrica, los accesorios, las brocas de la herramienta, etc., de acuerdo con estas instrucciones, teniendo en cuenta las condiciones de trabajo y el trabajo que se desee realizar.** *El uso de la herramienta eléctrica para operaciones distintas a aquéllas para las que fue diseñada podría causar una situación de peligro.*

#### 5) Uso y cuidado de la herramienta de baterías

- a) **Recargar solo con el cargador especificado por el fabricante.** *Es posible que un cargador que sea adecuado para un tipo de batería pueda crear un riesgo de incendio si se utiliza con otra batería.*
- b) **Usar las herramientas eléctricas solo con el juego de baterías específicamente diseñado para ellas.** *El uso de cualquier otro juego de baterías puede crear riesgo de lesiones e incendio.*
- c) **Cuando el juego de baterías no esté instalado en la unidad, manténgalo alejado de objetos metálicos como presillas para papel, monedas, llaves, clavos, tornillos u otros objetos pequeños de metal que pudieran hacer conexión entre los terminales.** *Un cortocircuito entre los terminales de la batería puede ocasionar quemaduras o un incendio.*
- d) **En condiciones de uso excesivo, puede salir líquido de la batería; evite el contacto. Si ocurre contacto accidental, enjuáguese con agua. Si el líquido entrara en los ojos, busque asistencia médica adicional.** *El líquido que sale de la batería puede causar irritación o quemaduras.*

#### 6) Servicio

- a) **La herramienta eléctrica debe recibir servicio de un técnico de reparaciones calificado, utilizando únicamente piezas de reemplazo idénticas.** De esta manera, se mantiene la seguridad de la herramienta eléctrica.

#### Advertencias sobre la seguridad de la sierra de cadena:

- **Mantenga todas las partes del cuerpo alejadas de la sierra de cadena cuando está en funcionamiento. Antes de arrancar la sierra, compruebe que no pueda entrar en contacto con nada ni nadie.** *Por un descuido al operar las sierras de cadena se pueden enredar la ropa o alguna parte del cuerpo con la sierra.*
- **Sostenga siempre la sierra de cadena con la mano derecha en la manija trasera y la mano izquierda en la manija delantera.** *Si se sujeta la sierra de cadena con las manos en la posición inversa, se incrementa el riesgo de que se produzcan lesiones y no debe hacerlo nunca.*
- **Agarre la herramienta eléctrica únicamente por las superficies de agarre aisladas, porque la cadena de sierra podría tocar cables ocultos.** *Las sierras de cadena que hacen contacto con un hilo "cargado" pueden hacer que las partes metálicas expuestas de la herramienta eléctrica se "carguen" y podrían darle una descarga eléctrica al operador.*
- **Utilice gafas de seguridad y protección auditiva. Se recomienda el uso de equipo de protección adicional para la cabeza, las manos, las piernas y los pies.** *La vestimenta de protección adecuada reduce las lesiones que ocasionan los residuos que salen despedidos o el contacto con la cadena de la sierra.*

- **No utilice la sierra de cadena para cuando esté subido a un árbol.** *Si se utiliza la sierra de cadena cuando se está subido a un árbol, se pueden sufrir lesiones.*
- **Siempre debe estar bien parado y operar la sierra de cadena únicamente cuando se está parado sobre una superficie firme, segura y nivelada.** *Las superficies resbaladizas o inestables como las escaleras pueden provocar la pérdida del equilibrio o el control de la sierra de cadena.*
- **Si se corta una rama que está bajo tensión, tenga cuidado de que se vuelva repentinamente y lo golpee.** *Cuando se descarga la tensión de las fibras de la madera la rama cargada puede golpear al operador y/o hacer que la sierra de cadena pierda el control.*
- **Actúe con extrema precaución al cortar malezas y árboles tiernos.** *El material blando puede quedar enganchado en la sierra de cadena y puede arrojarlo hacia usted o hacerle perder el equilibrio.*
- **Transporte la sierra de cadena por la manija delantera, con la sierra de cadena apagada y alejada del cuerpo. Para transportar o almacenar la sierra de cadena, coloque siempre la cubierta de la barra de guía.** *La manipulación correcta de la sierra de cadena reducirá la probabilidad de que se produzca un contacto accidental con la cadena de la sierra cuando está en movimiento.*
- **Siga las instrucciones para la lubricación, la tensión de la cadena y el reemplazo de los accesorios.** *Si la cadena se tensa o lubrica de manera inadecuada, se puede romper o se puede incrementar la probabilidad de que se produzca un contragolpe.*
- **Mantenga las manijas secas, limpias y sin aceite ni grasa.** *Si la manija está grasosa o aceitosa se resbala y provoca la pérdida del control.*
- **Corte sólo madera. No utilice la sierra de cadena para otros fines para los cuales no se diseñó. Por ejemplo: no use la sierra de cadena para cortar plástico, mampostería u otros materiales de construcción que no sean madera.** *El uso de la sierra de cadena para operaciones distintas a aquéllas para las que fue diseñada podría causar una situación de peligro.*

#### Causas del contragolpe y maneras en que el operador puede evitarlo:

Puede haber un contragolpe cuando la punta de la barra de guía toca un objeto, o cuando la madera se cierra y comprime la cadena de la sierra en el corte.

En ciertos casos, el contacto de la punta puede ocasionar una acción inversa repentina, haciendo retroceder la barra de guía hacia arriba y de nuevo hacia el operador.

Comprimir la cadena de la sierra a lo largo de la parte superior de la barra de guía puede empujar la barra rápidamente hacia el operador.

Cualquiera de estas reacciones puede hacerle perder el control de la sierra, con lo que se podrían producir lesiones graves. No confíe exclusivamente en los dispositivos de seguridad incorporados en la sierra. Como usuario de la sierra de cadena, debe tomar numerosas medidas para que no se produzcan accidentes ni lesiones durante los trabajos de corte.

El contragolpe se produce como resultado del uso indebido de la herramienta y/o de procedimientos o condiciones de uso incorrectos, y se pueden evitar tomando las precauciones adecuadas como se indica a continuación:

- **Sujete firmemente la manija de la sierra de cadena, encerrándola con los pulgares y los demás dedos, con ambas manos en la sierra y posicione el cuerpo y el brazo de manera que le permitan resistir las fuerzas de los contragolpes.** *El operador puede controlar las fuerzas de contragolpe, si se toman las precauciones debidas. No suelte la sierra de cadena.*
- **No adopte posturas forzadas para llegar a lugares difíciles de alcanzar ni corte por arriba de la altura del hombro.** *De esta manera se evita el contacto indebido de la punta y se permite un mejor control de la sierra de cadena en situaciones inesperadas.*

- **Utilice sólo barras y cadenas de repuesto especificadas por el fabricante.** Si las barras y las cadenas de reemplazo son incorrectas, se puede romper la cadena y/o se puede producir un contragolpe.
- **Siga las instrucciones de afilado y mantenimiento del fabricante de la cadena de la sierra.** Si se reduce la altura del calibrador de la medida de profundidad se puede aumentar el contragolpe.



**ADVERTENCIA:** Lea todas las advertencias de seguridad y todas las instrucciones. Si no se siguen las advertencias y las instrucciones se pueden producir descargas eléctricas, un incendio y/o lesiones graves.

## LEA TODAS LAS INSTRUCCIONES ANTES DE USAR LA UNIDAD

1. **GUARDE ESTAS INSTRUCCIONES** - Este manual contiene instrucciones importantes de seguridad y funcionamiento.
2. Antes de usar este producto, lea todas las instrucciones y las marcas de precaución que figuran en la batería, el cargador de baterías y las unidades que se accionan con la batería.
3. No agarre el cargador, incluido el enchufe del cargador y las terminales del cargador, con las manos húmedas.
4. No cargue la unidad en el exterior.



**ADVERTENCIA:** Utilice únicamente baterías RM4130, RM4140 o RM4150 con esta unidad. **NO** utilice ningún otro tipo de batería, accesorio o aditamento con esta unidad. Otros tipos de baterías, accesorios o implementos podrían producir lesiones graves, daños a los bienes o daños a la unidad.

**NOTA:** Si bien esta unidad puede utilizar la batería RM4130, no se lo recomienda. Para lograr el mejor rendimiento, con esta unidad use siempre una batería RM4140 o RM4150.



**ADVERTENCIA:** Cargue únicamente baterías RM4130, RM4140 o RM4150 con un cargador de baterías RM4110. **NO** intente utilizar ningún otro cargador de baterías para cargar las baterías RM4130, RM4140 o RM4150. Otros tipos de cargadores de baterías pueden hacer que las baterías exploten ocasionando un incendio, lesiones personales o daños materiales.



**ADVERTENCIA:** Utilice únicamente un cargador de baterías RM4110 para cargar las baterías RM4130, RM4140 o RM4150. **NO** intente cargar ninguna otra batería con un cargador de baterías RM4110. Otros tipos de baterías pueden explotar y causar un incendio, lesiones personales o daños materiales.

## ADVERTENCIAS GENERALES DE SEGURIDAD

- Lea las instrucciones con atención. Debe familiarizarse con los controles y con el uso apropiado de la unidad. Sepa cómo detener la unidad y desconectar los controles rápidamente.
- Manténgase alerta. No opere esta unidad si está cansado, enfermo o bajo la influencia de alcohol, drogas o medicamentos.
- Nunca permita a los niños operar la unidad. Los adolescentes deben ser entrenados, acompañados y supervisados por un adulto. Nunca permita a los adultos operar la unidad sin las instrucciones adecuadas.
- Se deben instalar correctamente todos los protectores y accesorios de seguridad antes de operar la unidad.
- Inspeccione la unidad antes de usarla. Verifique si hay piezas dañadas. Compruebe que todas las piezas funcionen correctamente. Compruebe que todas las sujeciones estén en su lugar y bien ajustadas. Compruebe que todas las piezas móviles queden adecuadamente alineadas y no se atasquen. Reemplace las piezas que estén agrietadas, astilladas o dañadas de cualquier manera. Haga reparar o reemplazar por un centro de servicio técnico autorizado todas las piezas que estén dañadas o que no funcionen adecuadamente. No utilice la unidad si hay piezas sueltas o dañadas.
- Tenga en cuenta el riesgo de lesiones en la cabeza, las manos y los pies.
- Inspeccione el área con atención antes de arrancar la unidad. Extraiga las rocas, los vidrios rotos, los clavos, los cables, cordeles y demás objetos que podrían ser arrojados o enredarse en la unidad.
- Despeje la zona de niños, observadores y mascotas; manténgalos fuera de un radio de 50 pies (15 m), como mínimo. Incluso a esa distancia, sigue el riesgo de ser alcanzados por los objetos arrojados por el aire. Sugírales a los observadores que usen protección ocular. Si alguien se le aproxima, detenga la unidad de inmediato.
- Esta unidad está diseñada para uso ocasional, para el hogar únicamente.
- No permita que la unidad se use como un juguete.

## ADVERTENCIAS DE SEGURIDAD PARA LAS UNIDADES ELÉCTRICAS

### Seguridad eléctrica en general

- No exponga la unidad a la lluvia o a condiciones húmedas. Guárdela en un lugar cerrado.
- No utilice la unidad con las manos mojadas.
- Evite los ambientes peligrosos. No utilice la unidad bajo la lluvia, en condiciones húmedas ni en superficies mojadas. La humedad representa un peligro de descarga eléctrica.
- Para reducir el riesgo de descarga eléctrica, evite el contacto del cuerpo con elementos conductores con puesta a tierra, por ejemplo, caños metálicos o cercos de alambre.
- No utilice la unidad en atmósferas explosivas, por ejemplo, en presencia de líquidos, gases o polvo inflamables.

### Seguridad del cargador de baterías

- Siga todas las instrucciones de carga. No cargue la batería fuera del rango de temperaturas indicado en estas instrucciones. Si carga la batería incorrectamente o la carga fuera del rango de temperaturas indicado se podría dañar y aumentar el riesgo de incendio.
- La unidad lleva una placa de identificación que indica el voltaje utilizado. Nunca conecte la unidad con un voltaje de CA que difiera de este voltaje.

- No se debe utilizar un cable prolongador a menos que sea absolutamente necesario. El uso de un cable prolongador inadecuado puede generar riesgo de incendio, descarga eléctrica o electrocución.
- No utilice cables prolongadores múltiples.
- Asegúrese de que el cable prolongador sea suficientemente pesado como para transportar la corriente que toma la unidad. Si el cable prolongador es de calibre inferior al requerido se producirá una caída del voltaje de línea y esto dará lugar a la pérdida de potencia y el sobrecalentamiento. Si está en duda, utilice cable del calibre más grueso siguiente. A menor número de calibre, mayor grosor de cable.

TAMAÑO MÍNIMO DEL CABLE PARA PROLONGADORES DE ARTEFACTOS DE 120 VOLTIOS QUE USAN 0-6 AMPERIOS				
Longitud del cable (pies)	25	50	100	150
Calibre (AWG)	16	16	16	14

- Asegúrese de que los cables estén en buenas condiciones. Inspeccione el cable de alimentación y el cable prolongador periódicamente. Observe detenidamente para ver si hay deterioro, cortes o grietas en el aislamiento. Si el cable se daña de algún modo cuando está enchufado, desconecte el cable del tomacorriente y de la unidad. No utilice un cable dañado. Los cables dañados se deben reparar o cambiar.
- No use los cables en forma inadecuada. Nunca arrastre ni lleve la unidad tirando del cable. Mantenga los cables lejos de fuentes de calor, aceite, agua, bordes filosos y objetos en movimiento. Para desconectar un cable agarre siempre el enchufe.
- No modifique nunca un enchufe, un cable ni un tomacorriente de ninguna manera.
- En el(los) circuito(s) a ser usados con esta unidad siempre se debe suministrar protección con un interruptor de detección de falla a tierra (GFCI). Para proporcionar una medida adicional de seguridad, utilice receptáculos con protección GFCI incorporada.
- No coloque el cargador de baterías en lugares donde se lo pueda pisar, donde alguien pueda tropezar o que se pueda dañar.
- No cargue las baterías bajo la lluvia ni en condiciones mojadas. Guarde el cargador de baterías en un área fresca y seca.
- Guarde el cargador de baterías lejos de cualquier líquido.
- No permita que se introduzcan objetos metálicos pequeños ni materiales, por ejemplo, lana de acero, lámina de aluminio ni otras partículas extrañas en el puerto del cargador.
- No pruebe el cargador con material conductor. Existe el riesgo de descarga eléctrica.
- No cubra el cargador de baterías. El cargador de baterías se puede sobrecalentar.
- No permita que la batería o el cargador de baterías se sobrecalienten. Si se calientan, deje que los mismos se enfríen. Cargue las baterías únicamente en temperaturas que se encuentren entre 32° y 104°F (0° y 40°C).
- Siempre desconecte el cargador de baterías antes de limpiarlo. Desenchufe siempre el cargador de baterías cuando no esté en uso.

#### Seguridad de las baterías

- No exponga la batería al fuego ni a temperaturas superiores a 176° F (80° C). Si lo hiciera, se podría producir una explosión.
- Manipule las baterías con cuidado. No cortocircuite la batería con materiales conductores, por ejemplo, anillos, pulseras, llaves, etc. Si se cortocircuita la batería se pueden producir lesiones personales, daños a la batería o un incendio.
- Cuando la batería no se utiliza, mantenga la misma lejos de objetos metálicos pequeños, por ejemplo, ganchos de papel, monedas, clavos, etc. Estos elementos pueden conectar un borne con otro y cortocircuitar la batería.
- No intente cargar una batería que esté rota o dañada.

- No utilice baterías que estén dañadas o hayan sido modificadas. Si lo hiciera, se podría producir un incendio, una explosión o lesiones personales.



**ADVERTENCIA:** La batería puede generar riesgo de incendio o quemadura química si no se manipula la misma adecuadamente. No desarme, sobrecaliente ni incinere la batería. La batería puede generar una pequeña fuga en condiciones extremas de uso o temperatura.

**Si el fluido de la batería entra en contacto con la piel:**

- Lave inmediatamente el área con jabón y agua.
- Neutralice el fluido de la batería con un ácido suave (jugo de limón, vinagre, etc.).
- Consulte con un médico de inmediato.

**Si el fluido de la batería entra en contacto con los ojos:**

- Enjuague inmediatamente los ojos con agua limpia durante 15 minutos por lo menos.
- Consulte con un médico de inmediato.

#### ELIMINACIÓN DE LAS BATERÍAS DAÑADAS O AGOTADAS



**ADVERTENCIA:** En la batería de esta unidad se utiliza el siguiente material tóxico y corrosivo: ION DE LITIO, un material tóxico.



**ADVERTENCIA:** Para evitar la contaminación ambiental, póngase en contacto con su agencia local de eliminación de residuos para solicitar instrucciones antes de eliminar baterías de ion de litio dañadas o agotadas. Lleve las baterías a un centro local de reciclaje y/o eliminación que cuente con certificación para la eliminación de baterías de ion de litio.



**ADVERTENCIA:** No use baterías rotas o con grietas, aun cuando no tengan pérdidas. Cambie las baterías dañadas o agotadas por baterías nuevas. ¡NO INTENTE REPARAR LAS BATERÍAS! Los intentos de reparación pueden producir lesiones personales graves debido a explosión o descarga eléctrica.

Para evitar lesiones personales y daños ambientales:

- No intente retirar ni destruir ningún componente de la batería. No abra ni mutile la batería. Si se produce una pérdida, los electrolitos emitidos son corrosivos y tóxicos. No deje que la solución entre en contacto con sus ojos o su piel y no trague solución.
- No arroje la batería junto con la basura domiciliar normal.
- No arroje la batería al fuego. El elemento de la batería puede explotar.
- No elimine la batería en un lugar donde pase a ser parte de algún relleno sanitario o de los desechos sólidos municipales.
- Cubra los bornes de la batería con cinta adhesiva reforzada.
- Deseche la batería de acuerdo con las regulaciones federales, estatales y locales.
- Elimine la batería sin demora.



### Acerca de los sellos de batería Call2Recycle

El programa de auxiliares de la industria Call2Recycle ayuda a los fabricantes de baterías y productos a cumplir los requisitos de reciclaje en los Estados Unidos y Canadá, incluido el cumplimiento de amplias regulaciones estatales, provinciales y federales, por ejemplo, la Ley de Baterías Recargables y con Contenido de

Mercurio (la Ley de las Baterías). Los licenciarios/auxiliares de la industria y los fabricantes y comerciantes de productos y baterías que participan en el programa Call2Recycle® adquieren los derechos de imprimir los sellos de batería Call2Recycle en sus baterías y productos recargables. Cuando usted ve el sello de batería Call2Recycle, puede estar seguro de que su batería o su producto se pueden reciclar en forma segura y responsable.

### Acerca de Call2Recycle

Desde 1994 Call2Recycle ha desviado más de 75 millones de libras de baterías recargables de los rellenos sanitarios locales y ha establecido una red de 30.000 lugares donde dejar unidades para reciclaje. Más de 200 fabricantes de productos y/o baterías, auxiliares de la industria Call2Recycle, se han reunido para asegurarse de que se realice el reciclaje responsable de las baterías cuando llegan al fin de su vida útil y solventan el programa que funciona a través de Call2Recycle, Inc., una organización de servicios públicos sin fines de lucro 501(c)4.

Para ubicar el centro de reciclaje más cercano, por favor, comuníquese al **1-800-822-8837**.

### DECLARACIÓN DE LA FCC (COMISIÓN FEDERAL DE COMUNICACIONES DE LOS EE.UU.)

	<b>PRECAUCIÓN:</b> Si se realizan cambios o modificaciones que no estén específicamente aprobadas por el responsable de cumplimiento se podría anular la autoridad del usuario para utilizar el equipo.
--	---

**NOTA:** Este equipo se ha probado y se ha determinado que cumple con los límites para dispositivos digitales Clase B de acuerdo con la parte 15 de las Reglas de la FCC. Estos límites tienen por finalidad suministrar protección razonable contra la interferencia perjudicial en una instalación residencial. Este equipo genera, utiliza y puede irradiar energía de radiofrecuencia y si no se lo instala y utiliza de acuerdo con las instrucciones puede causar interferencia perjudicial en las comunicaciones de radio. Sin embargo, no hay garantía de que no se produzca interferencia en alguna instalación en particular. Si este equipo en efecto causa interferencia perjudicial para la recepción de radio o televisión, lo cual se puede determinar apagando y encendiendo el equipo, se recomienda que el usuario trate de corregir la interferencia a través de una o más de las siguientes medidas:

- Reoriente o reubique la antena de recepción.
- Aumente la separación entre el equipo y el receptor.
- Conecte el equipo a un tomacorriente o circuito diferente a aquél al cual está conectado el receptor.
- Consulte con el distribuidor o con un técnico de radio/TV experimentado para solicitar ayuda.

### DURANTE LA OPERACIÓN

	<b>ADVERTENCIA:</b> Para reducir el riesgo de sufrir descargas eléctricas, no exponga la unidad a la lluvia o condiciones húmedas. Guárdela en un lugar cerrado.
--	--

- Utilice anteojos o antiparras de seguridad que cumplan con las normas ANSI / ISEA Z87.1 vigentes y que tengan la identificación correspondiente. Utilice una protección auditiva al operar esta unidad. Utilice una máscara facial o para polvos si la máquina levanta polvo durante su funcionamiento. Utilice un casco u otro tipo de protección para la cabeza. Los desechos que van cayendo podrían provocar lesiones personales serias.
- Use botas de seguridad y guantes de protección. Use ropa suelta y gruesa que incluya pantalones largos y camisa de manga larga. No use ropa holgada, alhajas, pantalones cortos, sandalias ni ande descalzo. Sujétese el cabello a nivel de los hombros.
- Use la unidad solamente con luz de día o con una buena luz artificial.
- Se debe evitar arrancar involuntariamente la unidad. El operador y la unidad deben estar en una posición estable durante el arranque. Consulte *Arranque y Parada*.
- Utilice la herramienta apropiada. Utilice esta herramienta sólo para el propósito para el que fue diseñada: para cortar madera. No use la unidad para cortar plástico, mampostería u otros materiales de construcción que no sean madera. Sólo use la unidad como se indica en este manual.
- Mantenga el pelo, la cara, las manos y todas las partes del cuerpo alejadas de la cadena de la sierra cuando la unidad está funcionando. No toque ni intente detener las piezas móviles.
- No opere la unidad a una velocidad mayor a la necesaria para la tarea. No haga funcionar la unidad a alta velocidad cuando no está en uso.
- No fuerce la unidad, especialmente cerca del extremo de un corte. Si se usa a la velocidad para la que fue diseñada, realizará un trabajo más eficiente y seguro.
- Siempre apague la unidad cuando esté demorada la operación o cuando esté transportando la unidad de un lugar a otro.
- Antes de parar la unidad, siempre apáguela primero y espere hasta que todas las piezas móviles se hayan detenido por completo.
- No haga funcionar una unidad dañada, mal ajustada o que no está correcta y totalmente armada. Compruebe que las piezas móviles se detienen al apagar la unidad. No utilice la unidad si no se enciende y apaga como corresponde. Haga reemplazar las piezas defectuosas en un centro de servicio autorizado.
- Se debe evitar arrancar involuntariamente la unidad. Verifique que el bloqueo del disparador esté en la posición trabada antes de instalar o retirar la batería. Nunca transporte la unidad con los dedos en el gatillo.
- Extraiga la batería de la unidad cuando no la use.
- No utilice la unidad si el gatillo y la traba del gatillo no permiten el arranque y detienen la unidad.
- Si la unidad golpea o queda enganchada con un objeto extraño, apague el motor de inmediato, retire la batería y deje enfriar la unidad. Luego, controle si se dañó. Si hay daño, no vuelva a arrancar o hacer funcionar la unidad hasta hacerlo arreglar. No utilice la unidad si hay piezas sueltas o dañadas.
- Use sólo piezas de reemplazo y accesorios del fabricante del equipo original (OEM) para esta unidad. Los puede adquirir en el centro de servicio autorizado. Si usa cualquier otra pieza o accesorio, el usuario podría lesionarse gravemente o la unidad podría dañarse y se anularía la garantía.
- Mantenga limpia la unidad. Detenga el motor, retire la batería y deje enfriar. Quite con cuidado cualquier resto de vegetación u otros residuos que puedan bloquear las piezas móviles.

- Si la unidad comienza a vibrar en forma anormal, detenga el motor, retire la batería y deje enfriar. Inspeccione la unidad para determinar la causa de la vibración. La vibración por lo general indica que hay algún problema.

## SEGURIDAD DE LA MOTOSIERRA

- Compruebe que la cadena de la sierra no esté en contacto con nada antes de poner en marcha la unidad.
- Al transportar la unidad, manténgala alejada del cuerpo, con la barra de guía ubicada en la parte trasera. Cubra la barra guía y la cadena de la sierra con la funda cuando transporte la unidad. Sostenga la unidad por la manija delantera.
- Mantenga limpia el área de trabajo. Las áreas desordenadas se prestan a los accidentes. No comience a cortar hasta que el área de trabajo esté despejada y libre de obstrucciones. Compruebe que haya un lugar seguro para apoyar los pies y una senda de retirada planificada para los árboles y las ramas que caen.
- No corte cerca de cables eléctricos o líneas de tensión. Manténgase por lo menos a 50 pies (15 m) de distancia de las líneas de tensión.
- Para un desempeño más seguro y efectivo, compruebe que la barra de guía y la cadena se encuentran limpias, lubricadas, ajustadas y afiladas. Revise la barra de guía y la cadena a intervalos frecuentes para verificar que estén bien ajustadas.
- Tenga mucho cuidado al cortar una rama tensionada. Al aflojar la tensión, la rama puede rebotar y pegarle al operador, causándole lesiones graves o la muerte.
- Tenga mucho cuidado al cortar pequeños arbustos o retoños, todo el material delgado puede engancharse en la cadena de la sierra y darle un latigazo al operador o hacerle perder el equilibrio.
- Esta sierra está clasificada por UL como una sierra de Clase 2C conforme a CSA Z62.1-03. Está destinada al uso poco frecuente por parte de propietarios de viviendas, trabajadores rurales y excursionistas y para aplicaciones generales como despeje, poda, corte de leña, etc. No está destinada al uso prolongado. Si se pretende hacerla funcionar durante períodos prolongados, puede causar problemas circulatorios en las manos del operador debido a la vibración. Haga pausas frecuentes y ajuste su posición de trabajo si fuera necesario.
- No opere la unidad en un árbol o una escalera a menos que haya sido específicamente entrenado para hacerlo.
- No utilice la unidad donde hay líquidos o gases inflamables.
- No intente las operaciones que exceden la capacidad o experiencia del operador.
- Use siempre la funda de la barra de guía y la cadena durante el transporte y almacenamiento.
- No retire el material cortado ni sostenga el material a cortar cuando la unidad esté funcionando. Antes de quitar material atascado, siempre apague la unidad, espere hasta que la cadena de sierra se haya detenido por completo, y retire la batería. Cualquier momento de distracción podría provocar lesiones personales serias.

## SEGURIDAD AL REBOTAR



**ADVERTENCIA:** Puede haber un rebote cuando la punta de la barra de guía toca un objeto, o cuando la madera se cierra y comprime la cadena de la sierra en el corte. En ciertos casos, el contacto de la punta puede ocasionar una acción inversa relámpago, haciendo recular rápidamente la barra de guía hacia el operador. Comprimir la cadena de la sierra a lo largo de la parte superior de la barra de guía puede empujar la barra rápidamente hacia el operador. Cualquiera de estas reacciones puede ocasionarle lesiones graves al usuario. El contacto con objetos extraños dentro de la madera también puede provocar la pérdida de control de la motosierra.

### Entendiendo el rebote

Una comprensión básica sobre el retroceso o rebote (kickback) ayuda a reducir o eliminar el elemento de sorpresa y la posibilidad de una lesión asociada con el mismo. La sorpresa repentina contribuye a los accidentes.

- **El rebote rotacional** puede ocurrir cuando la punta superior de la barra de guía toca un objeto mientras la cadena está en movimiento (Fig. A). Esto puede causar que la cadena se entierre en el objeto y deje de moverse momentáneamente. A continuación la barra de guía es impulsada hacia arriba y atrás en dirección al operador en una reacción inversa relámpago.
- **El retroceso lineal** puede ocurrir cuando la madera en cualquiera de los lados de un corte se acerca y aprieta la cadena de la sierra en movimiento a lo largo de la parte superior de la barra guía (Fig. B). Esto puede causar que la cadena se detenga instantáneamente. Se revierte el impulso de la cadena causando que la sierra se mueva en la dirección opuesta, enviando la sierra directamente hacia el operador.
- **La tracción** puede ocurrir cuando la cadena en movimiento en la parte inferior de la barra de guía se encuentra con un objeto extraño dentro de la madera. Esto puede causar que la cadena se detenga sorpresivamente. A continuación la sierra es empujada hacia adelante y lejos del operador, lo que podría resultar en pérdida de control de la sierra.

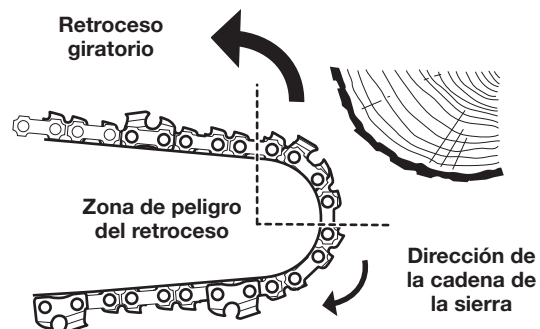


Fig. A

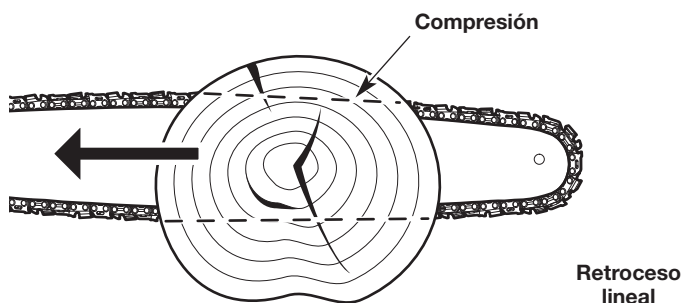


Fig. B

## Precauciones de seguridad contra rebotes

Siga los siguientes pasos para reducir la posibilidad de un accidente o una lesión:

- No confíe exclusivamente en los dispositivos de seguridad incorporados en la unidad.
- No se extienda demasiado. Siempre debe estar bien afirmado y mantener el equilibrio adecuado. Tenga cuidado al trabajar sobre escalinatas, cuestas empinadas o pendientes. No corte por arriba de la altura del hombro.
- No corte con la punta de la barra de guía.
- Compruebe que el área de operación esté libre de obstrucciones. No deje que la punta de la barra de guía toque ningún objeto, como un leño, una rama, el terreno u otra obstrucción.
- Inspeccione siempre la madera antes de cortarla. Los objetos extraños podrían dañar la unidad o causar lesiones personales graves. Nunca corte a través de clavos, varillas de metal, durmientes de ferrocarril o pálets.
- ¡No haga funcionar la unidad con una mano! La operación con una sola mano puede causar lesiones graves al operador, los ayudantes o los observadores. Esta unidad está destinada a ser usada con las dos manos. Agarre siempre la unidad firmemente con ambas manos cuando esté funcionando. No las suelte. Una sujeción firme ayudará a mantener el control de la unidad y reducir la posibilidad de retroceso. Sostenga la manija delantera con la mano izquierda y la manija trasera con la mano derecha. Rodee firmemente las manijas con los pulgares y dedos de la mano.
- Párese un poco a la izquierda de la unidad para evitar estar en línea directa con la cadena de la sierra.
- Nunca encienda la sierra cuando la barra de guía se encuentra adentro de un corte. Tenga mucho cuidado al volver a ingresar en un corte.
- Inicie siempre el corte con la unidad funcionando a velocidad máxima. Mantenga una velocidad de corte constante. Las velocidades más bajas aumentan la posibilidad de rebote.
- Mantenga el alojamiento de la sierra presionado firmemente contra la madera.
- No corte más de un tronco o rama a la vez.
- No fuerce la unidad cuando retira la barra guía de un corte.
- Esté atento a los objetos que se desplazan (troncos, ramas, etc.) y que podrían comprimir o caer sobre la cadena de la sierra durante el funcionamiento.
- Utilice sólo cuñas de madera o plástico. No utilice metal para mantener abierto un corte.
- Siga las instrucciones de afilado y mantenimiento del fabricante de la cadena de la sierra.
- Utilice sólo barras y cadenas de repuesto especificadas por el fabricante o su equivalente. Estos están disponibles en los centros de servicio autorizados. Si usa piezas o accesorios no autorizados, el operario podría lesionarse gravemente o la unidad podría dañarse y se anularía la garantía.
- Utilice dispositivos que reduzcan los riesgos relacionados con el retroceso, como ser cadenas de retroceso bajo, protectores de punta de barra guía, frenos de cadena y barras de guía de retroceso bajo. No hay otros componentes de repuesto para lograr protección contra el rebote de acuerdo con CSA Z62.3.
- Una cadena de sierra de retroceso bajo es una cadena que cumple con los requisitos de funcionamiento de retroceso bajo de ANSI/OPEI B175.1-2012 cuando se la prueba según las normas establecidas en ANSI/OPEI B175.1-2012. Una cadena de sierra de retroceso bajo es una cadena que también cumple con CSA Z62.3. No utilice una cadena de sierra de reemplazo a menos que cumpla con estos requisitos para este modelo específico o haya sido designada como cadena de sierra de retroceso bajo para reemplazo conforme con ANSI/OPEI B175.1-2012. A medida que las motosierras se afilan, se va perdiendo la cualidad de bajo rebote y se deben aumentar las precauciones.

- No instale una guía de arco en esta unidad. Las guías de arco tienen zonas de retroceso más grandes que aumentan la probabilidad de retroceso y lesiones graves. Este incremento no se reduce significativamente utilizando una cadena de sierra de retroceso bajo. La utilización de una guía de arco en esta unidad resulta sumamente peligrosa.






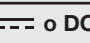
## OTRAS ADVERTENCIAS DE SEGURIDAD

- El mantenimiento de la unidad debe ser minucioso. Siga todas las instrucciones de mantenimiento de este manual.
- No realice ningún procedimiento de mantenimiento que no figure en este manual. No intente reparar la unidad; no tiene piezas internas que puedan ser cambiadas por el usuario. Todas las tareas de reparación, con excepción de los procedimientos de mantenimiento que se describen en este manual, deben ser realizados por un centro de servicio autorizado.
- No utilice la unidad si no funciona correctamente, si se ha caído, dañado, se ha dejado a la intemperie o caído en el agua. Haga efectuar el mantenimiento de la unidad en un centro de servicio autorizado.
- Nunca extraiga, modifique o deje inoperativo ningún dispositivo de seguridad que venga con la unidad.
- Antes de inspeccionar, limpiar, guardar o transportar la unidad, o de hacer tareas de reparación o mantenimiento o reemplazar alguna de sus piezas:
  1. Pare el motor. Consulte *Arranque y Parada*.
  2. Espere hasta que todas las piezas se detengan.
  3. Retire la batería.
  4. Deje que la unidad se enfríe.
- Sujete la unidad durante el transporte.
- Almacene la unidad en un lugar seco, asegurada o a una altura que evite que se la use sin autorización o se la dañe. Mantenga la unidad lejos del alcance de los niños.
- Nunca rocíe ni arroje chorros de agua ni de ningún otro líquido a la unidad. Evite el ingreso de agua en el motor y las conexiones eléctricas. Mantenga las manijas secas y limpias (sin residuos, aceite ni grasa). Limpie la unidad luego de cada uso. Consulte *Limpieza y almacenamiento*. No utilice solventes o detergentes fuertes.
- Guarde estas instrucciones. Consúltelas con frecuencia y úselas para capacitar a otros usuarios. Si le presta esta unidad a otras personas, también debe prestarles estas instrucciones.

# GUARDE ESTAS INSTRUCCIONES

• SÍMBOLOS INTERNACIONALES Y DE SEGURIDAD •

Este manual del operador describe símbolos y pictografías internacionales y de seguridad que posiblemente aparezcan en este producto. Lea el manual del operador para informarse bien sobre la seguridad, ensamblaje, operación, mantenimiento y reparación.

SÍMBOLO	SIGNIFICADO
	<ul style="list-style-type: none"> <li>• <b>SÍMBOLO DE ALERTA DE SEGURIDAD</b></li> </ul> <p>Indica peligro, advertencia o precaución. Puede utilizarse junto a otros símbolos o pictografías.</p>
	<ul style="list-style-type: none"> <li>• <b>LEA EL MANUAL DEL OPERADOR</b></li> </ul> <p><b>ADVERTENCIA:</b> Lea el o los manuales del operador y siga todas las advertencias e instrucciones de seguridad. No hacerlo puede ocasionar lesiones graves al operador y/o a las personas presentes.</p>
	<ul style="list-style-type: none"> <li>• <b>PROTÉJASE LA CABEZA, LOS OJOS Y LOS OÍDOS</b></li> </ul> <p><b>ADVERTENCIA:</b> Los objetos lanzados y el ruido fuerte pueden ocasionar lesiones graves a los ojos y pérdida de la audición. Al operar esta unidad, use protección para los ojos que cumpla con la normas ANSI / ISEA Z87.1 y protección para los oídos. Utilice casco cuando opere esta unidad; los objetos que caen pueden causar graves lesiones en la cabeza. De ser necesario, use un protector facial completo.</p>
	<ul style="list-style-type: none"> <li>• <b>UTILICE PROTECCIÓN DE PIES</b></li> </ul> <p>Siempre utilice calzado reforzado, antideslizante, cuando haga funcionar esta unidad.</p>
	<ul style="list-style-type: none"> <li>• <b>UTILICE PROTECCIÓN DE MANOS</b></li> </ul> <p>Siempre utilice guantes reforzados, antideslizantes, cuando manipule esta unidad.</p>
<b>V</b>	• <b>VOLTIOS</b> - Voltaje
<b>A</b>	• <b>AMPERES</b> - Corriente
<b>Hz</b>	• <b>HERTZ</b> - Frecuencia (ciclos por segundo)
<b>AC</b>	• <b>CORRIENTE ALTERNA</b> - Tipo de corriente
	• <b>CORRIENTE DIRECTA</b> - Tipo de corriente
<b>Ah</b>	• <b>AMPERIO-HORA</b> - Medida de capacidad de carga
<b>Wh</b>	• <b>VATIO-HORA</b> - Medida de energía

SÍMBOLO	SIGNIFICADO
	<ul style="list-style-type: none"> <li>• <b>UTILICE AMBAS MANOS</b></li> </ul> <p><b>ADVERTENCIA:</b> Utilice siempre ambas manos mientras opera la unidad. Nunca opere la unidad con una mano sola.</p>
	<ul style="list-style-type: none"> <li>• <b>RETROCESO</b></li> </ul> <p><b>ADVERTENCIA:</b> Se debe evitar el contacto de la punta de la barra guía con cualquier objeto. El contacto con la punta puede hacer que la barra guía se mueva repentinamente hacia arriba y hacia atrás, lo que puede causar lesiones graves.</p>
	<ul style="list-style-type: none"> <li>• <b>MANTENGA ALEJADOS A LOS PRESENTES</b></li> </ul> <p><b>ADVERTENCIA:</b> Mantenga a todos los presentes, especialmente a los niños y animales domésticos, a una distancia de al menos 50 pies (15 m).</p> <p><b>ADVERTENCIA:</b> Mantenga siempre despejada el área de trabajo y la vía de escape. Tenga en cuenta la ubicación de las ramas y ramificaciones para evitar los recortes y residuos que caen.</p>
	<ul style="list-style-type: none"> <li>• <b>ACEITE DE LA CADENA</b></li> </ul> <p>Asegúrese de que el depósito de aceite de la cadena está lleno antes de la operación. Controle constantemente el nivel de aceite para que no caiga por debajo de la mitad. Para funcionar correctamente la cadena de la sierra debe estar constantemente recubierta de aceite.</p>
	<ul style="list-style-type: none"> <li>• <b>DIRECCIÓN DE LA CADENA</b></li> </ul> <p>Compruebe que la cadena de la sierra mire en la dirección que se muestra cuando se instala en la barra guía. Consulte Instalación de la barra guía y de la cadena de la sierra en la sección Mantenimiento.</p>
	<ul style="list-style-type: none"> <li>• <b>NO USE ESTE EQUIPO BAJO LA LLUVIA</b></li> </ul> <p><b>ADVERTENCIA:</b> Evite entornos peligrosos. No utilice nunca la unidad bajo la lluvia ni en condiciones mojadas o húmedas. La humedad constituye un peligro de descarga.</p>
	<ul style="list-style-type: none"> <li>• <b>NO DESECHAR CON LA BASURA DOMICILIARIA</b></li> </ul> <p>Recicle la batería o deséchela de conformidad con las normativas locales, estatales y federales.</p>

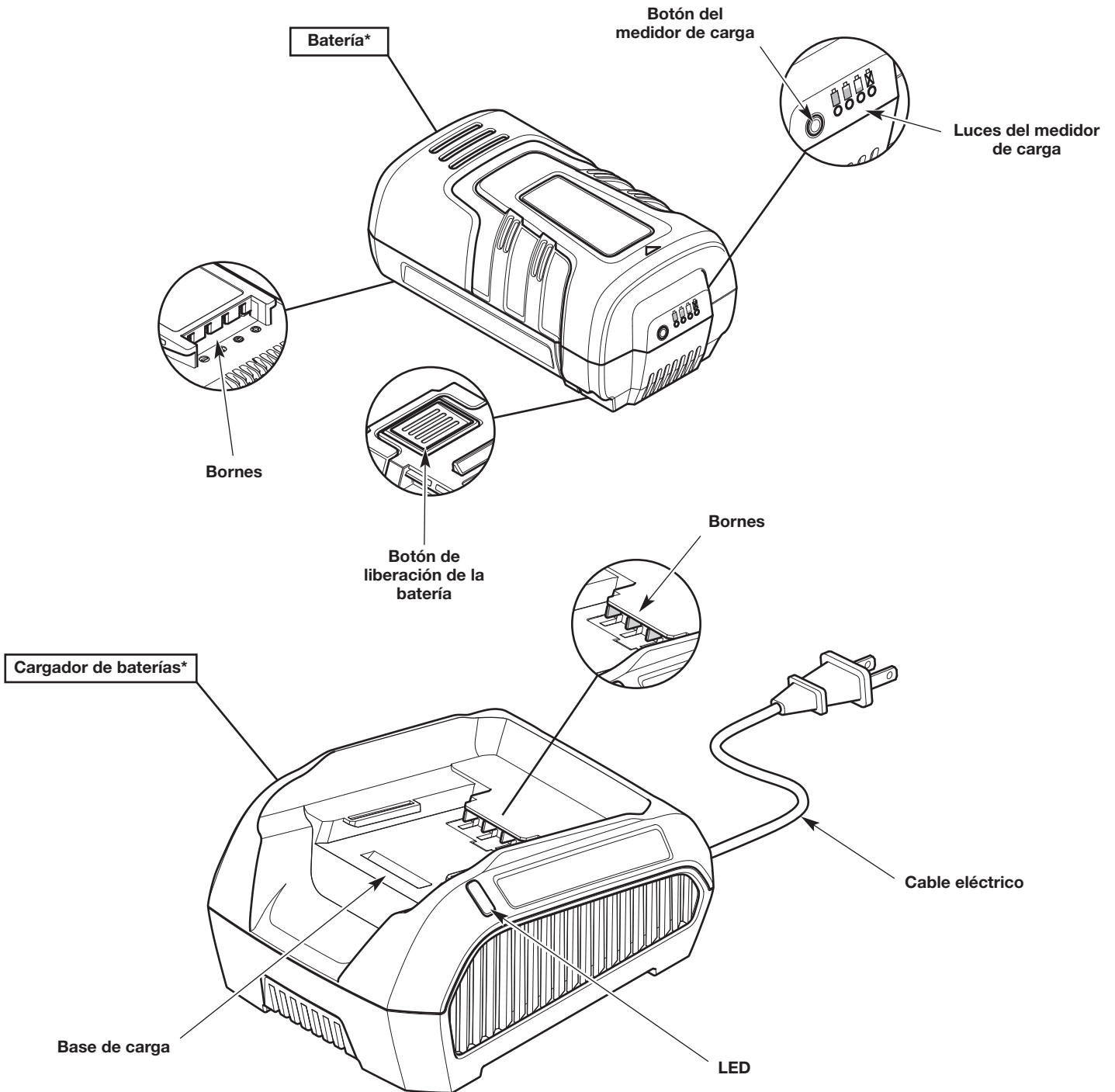


## CONOZCA SU UNIDAD

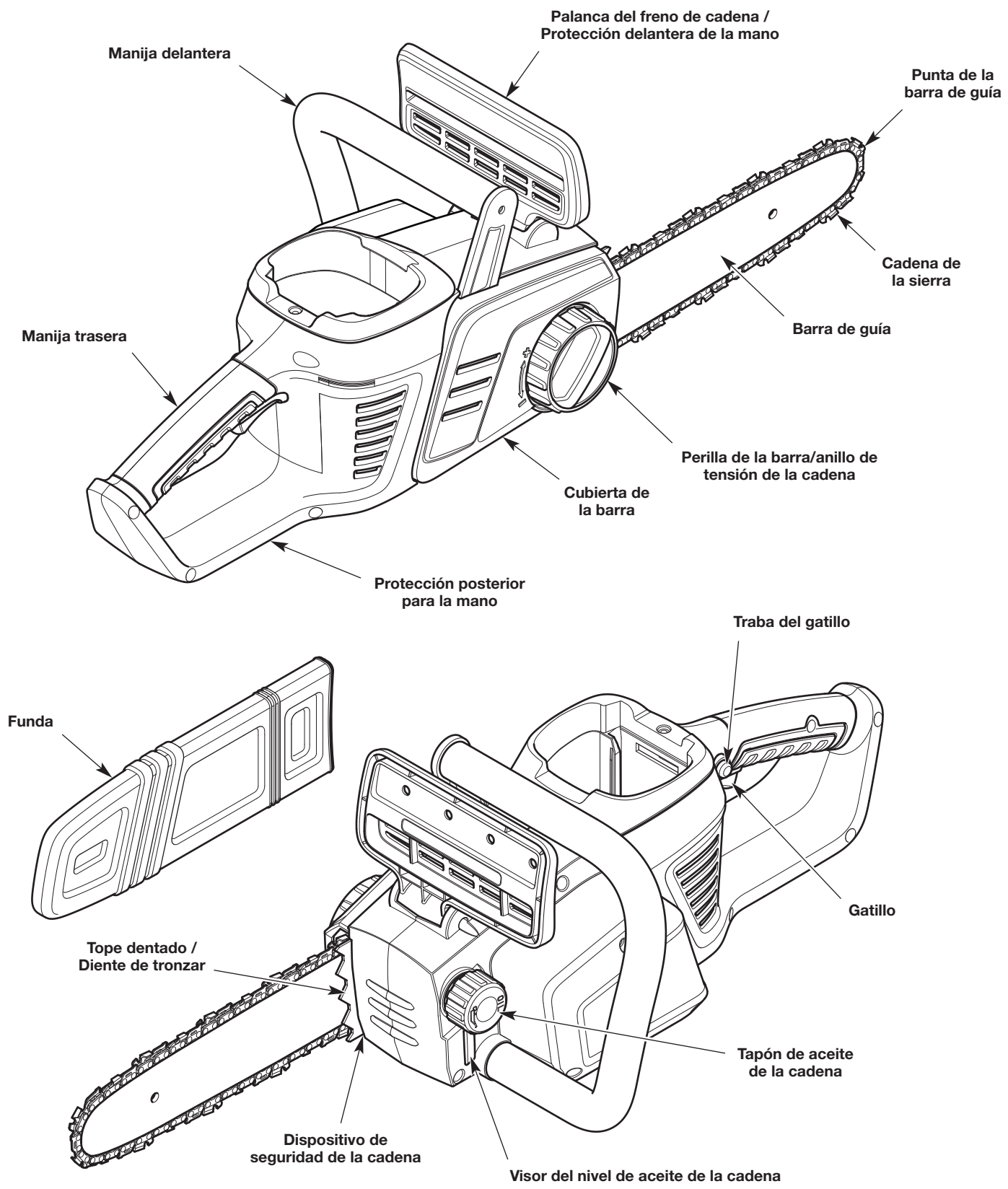
### USOS

- Tala y desramado de árboles
- Corte de troncos (tronzado)
- Poda de árboles

NO SE REQUIEREN HERRAMIENTAS DE ENSAMBLADO



\* La batería y el cargador de la batería no se incluyen con el modelo RM4040B.



## TÉRMINOS Y DEFINICIONES FUNDAMENTALES

- **SIERRA DE CADENA** - Es una herramienta que está diseñada para cortar madera con una cadena de sierra. Una sierra de cadena es una unidad integrada que está compuesta por un motor, una cadena de sierra, una barra de guía y manijas que están diseñadas para sujetarlos con las dos manos durante el trabajo.
- **CABEZAL MOTOR DE LA SIERRA DE CADENA** - Es una sierra de cadena sin la cadena y la barra de guía.
- **RUEDA DENTADA DE IMPULSIÓN** - Es una rueda dentada que impulsa la cadena de la sierra.
- **MANIJA DELANTERA** - Es una manija de sujeción que está ubicada en el frente de la sierra de cadena.
- **MANIJA TRASERA** - Es una manija de sujeción que está ubicada en la parte trasera de la sierra de cadena.
- **PROTECCIÓN DELANTERA DE MANO / LA PALANCA DEL FRENO DE CADENA** - Es una barrera estructural entre la manija delantera y la barra de guía. La protección delantera de mano ayuda a proteger la mano izquierda del operador en caso de que se deslice de la manija delantera mientras la unidad está en funcionamiento. La protección delantera para las manos también se usa para activar el freno de cadena.
- **FRENO DE CADENA** - Dispositivo para detener la motosierra. El freno de cadena ayuda a proteger al operador deteniendo la motosierra en cuestión de milisegundos. El freno de cadena puede activarse intencionalmente empujando hacia adelante la protección delantera para manos / palanca del freno de cadena. También puede activarse si la mano del operador golpea la protección delantera para manos / la palanca del freno de cadena durante el retroceso.
- **PROTECCIÓN POSTERIOR PARA LA MANO** - Es una barrera estructural que está debajo de la manija trasera. La protección posterior para la mano protege la mano derecha del operador si se corta o desengancha la cadena de la sierra de la barra de guía durante el uso.
- **BARRA DE GUÍA** - Es una estructura sólida de riel que sostiene y guía la cadena de la sierra.
- **PUNTA DE LA BARRA DE GUÍA** - Es la punta o extremo de la barra de guía.
- **BARRA DE GUÍA DE CONTRAGOLPE REDUCIDO** - Es una barra de guía que se ha demostrado que reduce significativamente el contragolpe.
- **CADENA DE LA SIERRA** - Es una cadena dentada que está diseñada para cortar madera, que se acciona mediante el motor y está sostenida por la barra de guía. La cadena de la sierra está compuesta por eslabones de impulsión, cortadores y eslabones laterales, unidos entre sí por remaches.
- **CADENA DE SIERRA DE CONTRAGOLPE REDUCIDO** - Es una cadena de sierra que cumple con los requerimientos de rendimiento ante contragolpes establecidos por la norma ANSI/OPEI B175.1-2012 cuando se prueba en una muestra representativa de sierras de cadena. Cadena de sierra de retroceso bajo reduce significativamente la posibilidad de retroceso y su intensidad debido a los calibres de profundidad y los eslabones de protección diseñados especialmente.
- **CADENA DE SIERRA DE REPUESTO** - Es una cadena de sierra que cumple con los requerimientos de rendimiento ante contragolpes establecidos por la norma ANSI/OPEI B175.1-2012 cuando se prueba con sierras de cadena específicas. Puede no cumplir con los estándares de rendimiento establecidos por ANSI/OPEI si se la usa con otras sierras de cadena.
- **DIENTES DE FIJACIÓN** - Es el diente (o los dientes) protuberante, que está en la parte delantera de la sierra de cadena, que se usa al talar o trozar para ayudar a girar la sierra y mantener una posición estable durante el corte.
- **GANCHO RETENEDOR DE LA CADENA** - Es un dispositivo que está diseñado para interceptar la cadena si se suelta. El gancho retenedor de la cadena reduce las probabilidades de que se produzcan lesiones si se rompe o desengancha la cadena de la sierra de la barra de guía durante el trabajo.
- **CONTROL DE LUBRICACIÓN** - Sistema para lubricar la cadena de la sierra y la barra de guía.
- **INTERRUPTOR** - Dispositivo que, cuando se lo utiliza, termina o interrumpe el circuito eléctrico al motor de la sierra.
- **VÍNCULO CON EL INTERRUPTOR** - Es un mecanismo que transfiere movimiento desde el gatillo al interruptor.
- **GATILLO** - Es un dispositivo que, cuando se opera en conjunto con el bloqueo del interruptor (traba del gatillo), enciende el motor. Si se suelta el gatillo, se apaga de inmediato el motor. La cadena de la sierra continúa andando hasta detenerse.
- **BLOQUEO DEL INTERRUPTOR (TRABA DEL GATILLO)** - Dispositivo que evita que la unidad arranque de manera accidental. El gatillo no se puede apretar a menos que se active manualmente el bloqueo del interruptor (traba del gatillo).
- **BOTÓN DE LIBERACIÓN DE LA BATERÍA** - Dispositivo que se usa para desconectar la batería del cargador de batería y la unidad.
- **CONTRAGOLPE** - Movimiento repentino hacia atrás y/o arriba de la barra de guía y la cadena de la sierra. El contragolpe se puede producir si la parte superior de la punta de la barra de guía toca un objeto mientras la cadena de la sierra está girando (contragolpe giratorio). El contragolpe también se puede producir si la madera se cierra y presiona la cadena de la sierra dentro del corte (contragolpe lineal).
- **CONTRAGOLPE GIRATORIO** - Movimiento repentino hacia atrás y arriba de la barra de guía y la cadena de la sierra. El contragolpe giratorio se puede producir si la parte superior de la punta de la barra de guía toca un objeto mientras la cadena de la sierra está girando. A continuación la barra de guía y la cadena de la sierra son impulsadas hacia arriba y atrás en dirección al operador en una reacción inversa relámpago.
- **CONTRAGOLPE LINEAL (CONTRAGOLPE CON PRESIÓN)** - Movimiento repentino hacia atrás de la barra de guía y la cadena de la sierra. El contragolpe lineal (presión) se puede producir si la madera se cierra y presiona la cadena de la sierra dentro del corte. Entonces, la sierra retrocede rápidamente hacia el operador.
- **POSICIÓN DE CORTE NORMAL** - Las posiciones que se adoptan al realizar los cortes para talar o trozar.
- **TALA** - La tala es el proceso de cortar un árbol.
- **CORTE INFERIOR DE LA MUESCA** - Es el primer procedimiento de corte del proceso de tala de un árbol. Una muesca es un corte en un lado del árbol para dirigir su caída.
- **CORTE FINAL DE TALA** - El corte final en el proceso de tala del árbol. El corte final de tala se hace en el lado contrario del árbol al que se realizó el corte inferior de la muesca.
- **TROZADO** - El proceso de cortar un árbol talado o un tronco en trozos.
- **DESRAMADO** - El proceso de cortar las ramas de un árbol caído.
- **PODA** - El proceso de cortar las ramas de un árbol vivo.

## ESPECIFICACIONES\*

Peso aproximado de la unidad (sin la batería - sin aceite de cadena)	9.5 - 10.5 libras (4.3 - 4.8 kg)
Lubricación	Aceite de cadena y barra
Capacidad del depósito de aceite de la cadena	6.4 onzas fluidas (190 mL)
Longitud de la barra guía	12 pulgadas (30.5 cm)
Paso de la cadena de la sierra	3/8 pulgadas (9,5 mm)
Calibre de la cadena de la sierra	0.050 pulgadas (1.3 mm)
Tipo de batería (Modelo RM4140)	40 V, Ión-litio de 4.0 Ah
Tipo de batería (Modelo RM4150)	40 V, Ión-litio de 5.0 Ah
Peso aproximado de la batería (Modelo RM4140)	2.9 - 3.4 libras (1.3 - 1.5 kg)
Peso aproximado de la batería (Modelo RM4150)	3.0 - 3.5 libras (1.4 - 1.6 kg)
Temperatura óptima de carga de la batería	32° a 104° F (0° a 40° C)
Temperatura óptima de almacenamiento de la batería	64° a 73° F (18° a 23° C)
Temperatura óptima de funcionamiento de la batería	32° a 113° F (0° a 45° C)
Voltaje de entrada del cargador de baterías	120 V 60 Hz CA únicamente
Salida del cargador de baterías	1.8 A 40 V CC
Tiempo aproximado de carga (Modelo RM4140)	135 minutos
Tiempo aproximado de carga (Modelo RM4150)	162 minutos
Peso aproximado del cargador de baterías	1.25 - 1.75 libras (0.6 - 0.8 kg)

\* Todas las especificaciones se basan en la información del producto más reciente disponible en el momento de la impresión. Nos reservamos el derecho de hacer cambios en cualquier momento, sin previo aviso.

## REPUESTOS

Para solicitar repuestos póngase en contacto con el Departamento de Asistencia al Cliente.

Pieza #	Descripción
713-05074	Cadena de la sierra (12 pulgadas / 30.5 cm)
795-00321	Barra guía (12 pulgadas / 30.5 cm)

## ENSAMBLAJE



**ADVERTENCIA:** Para evitar lesiones personales serias y daños a la unidad, nunca arme, desarme o ajuste la unidad mientras está en funcionamiento. Siempre apague la unidad y quite la batería para evitar que la unidad se encienda accidentalmente. Deje que la unidad se enfríe antes de armarla, desarmarla o realizar ajustes.

## AGREGADO DE ACEITE DE LA CADENA Y BARRA: USO INICIAL

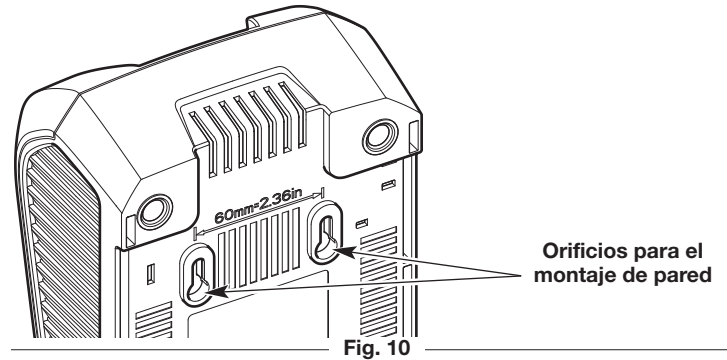
Esta unidad viene de fábrica con el depósito de aceite de la cadena vacío. Llene el depósito de aceite de la cadena con aceite para barras y cadenas antes de arrancar o usar la unidad. Consulte las instrucciones de *Agregado de aceite de la cadena y barra* en la sección *Mantenimiento*.

## AJUSTE DE TENSION DE LA CADENA: USO INICIAL

La cadena de la sierra debe estar debidamente tensada antes de utilizar la unidad. Posiblemente la cadena de la sierra también necesitará tensado adicional ya que ésta se calienta durante el funcionamiento. Consulte las instrucciones de *Ajuste de tensión de la cadena* en la sección *Mantenimiento*.

## MONTAJE DEL CARGADOR EN LA PARED (OPCIONAL)

El cargador de baterías se puede instalar en una superficie permanente, por ejemplo, una pared o banco de trabajo. Use sujetadores de montaje (no incluidos) con capacidad para sostener el peso combinado de la batería y del cargador de baterías. Los orificios para el montaje de pared están ubicados en la base del cargador (Fig. 10).



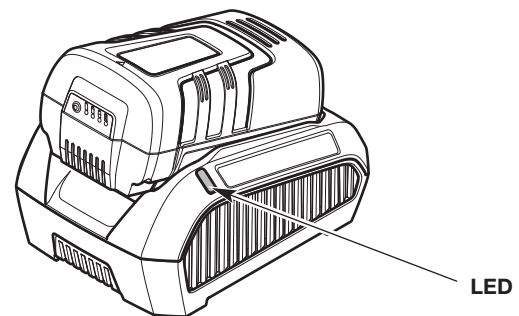
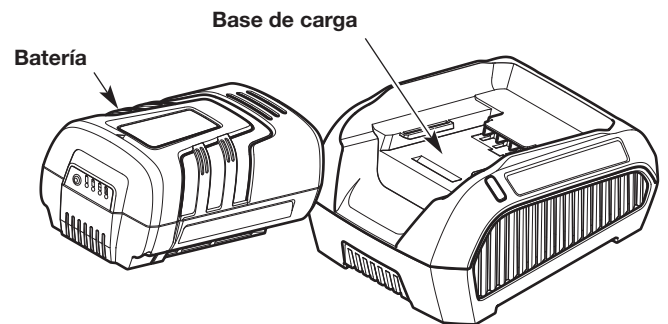
## CARGA DE LA BATERÍA

**NOTA:** La batería no se embarca con carga completa.

**NOTA:** Las baterías de ion de litio no desarrollan memoria y se pueden cargar en cualquier momento.

Para obtener el máximo tiempo de funcionamiento, cargue la batería completamente antes de cada uso.

1. Enchufe el cargador de baterías en un tomacorriente eléctrico adecuado. El LED debería ponerse rojo (constante) (Fig. 12). Si no lo hace:
  - Compruebe que el cargador de baterías esté completamente enchufado a un tomacorriente adecuado.
  - Compruebe que el tomacorriente funcione bien, para lo cual debe probarlo con otro artefacto eléctrico.
2. Inserte la batería en la base de carga (Fig. 11). Empuje la batería con firmeza hasta que quede trabada en su lugar.
3. Examine el LED. El LED le indicará el estado de las baterías:
  - **Verde (parpadea):** La batería se está cargando. Cargue la batería hasta que la luz verde deje de parpadear.
  - **Verde (constante):** La batería está completamente cargada.
  - **Rojo (parpadeo - lento):** La batería y/o el cargador están demasiado calientes o demasiado fríos. Asegúrese de que la batería y el cargador estén en un entorno que esté entre 32° F y 104° F (0° C y 40° C). Deje un tiempo para que la batería y/o el cargador se calienten o se enfríen.
  - **Rojo (parpadeo - rápido):** La batería ya no funciona. Consulte en la sección *Garantía* la información referida al cambio.
  - **Rojo (constante):** La batería no está cargando. Retire la batería. Verifique que los terminales de la batería y del cargador de batería estén limpios. Vuelva a colocar la batería dentro de la base de carga. Empuje la batería con firmeza hasta que quede trabada en su lugar.



- Para maximizar la vida de la batería, el cargador de batería se apagará una vez completada la carga. Cuando la batería esté completamente cargada, sáquela del cargador de baterías. Opcionalmente, la batería se puede almacenar en el cargador de baterías, pero el cargador de baterías debe ser desenchufado del tomacorriente.

Para retirar la batería: Sostenga el cargador de batería con una mano. Presione el botón de liberación de la batería con la otra mano (Fig. 13). Saque la batería de la base de carga.

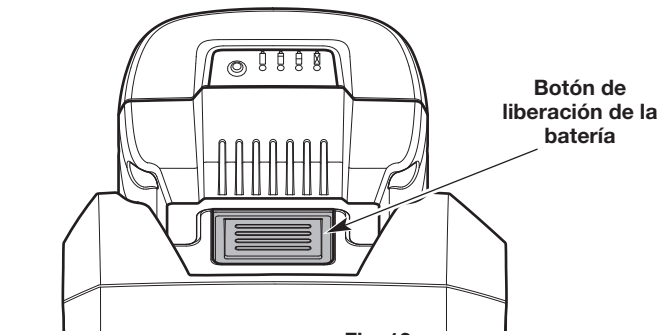


Fig. 13

## INSTALACIÓN Y EXTRACCIÓN DE LA BATERÍA

	<p><b>ADVERTENCIA:</b> Se debe evitar arrancar accidentalmente la unidad. Para evitar lesiones serias, <b>NO</b> presione el bloqueo del disparador y <b>NO</b> apriete el disparador cuando esté instalando o quitando la batería. Consulte <i>Arranque y Parada</i>. Extraiga la batería de la unidad cuando no la use.</p>
--	---

### Instalación de la batería

- Agarre con firmeza la manija delantera (Fig. 14).
- Deslice la batería en la base de de carga la batería (Fig. 14). Oprima la batería con firmeza hasta que quede trabada en su lugar (Fig. 14). Debería escuchar un "clic".
- Tire suavemente de la batería para comprobar que esté firmemente trabada en su lugar.

### Extracción de la batería

- Agarre con firmeza la manija delantera (Fig. 14).
- Presione el botón de liberación de la batería para destrabarla (Fig. 14).
- Extraiga la batería del puerto de la batería (Fig. 14).

**NOTA:** Es posible que deba tirar con fuerza para extraer la batería.

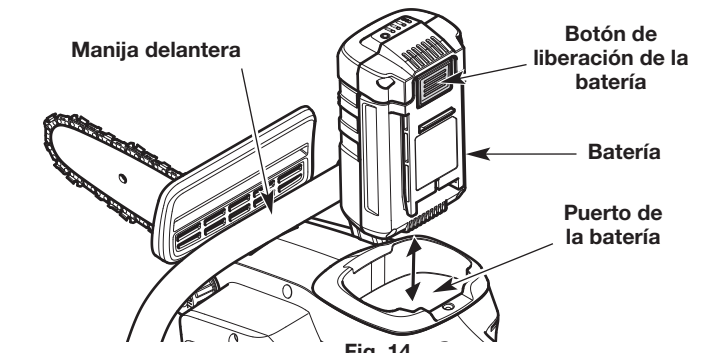


Fig. 14

## ARRANQUE Y PARADA

	<p><b>ADVERTENCIA:</b> Nunca opera la unidad sin haber instalado adecuadamente la barra guía y la cadena de la sierra. Asegúrese de que la barra de guía esté ensamblada de manera segura. Compruebe que la cadena de la sierra esté tensada adecuadamente. Consulte las instrucciones de <i>Ajuste de tensión de la cadena</i> en la sección <i>Mantenimiento</i>.</p>
--	---

	<p><b>ADVERTENCIA:</b> La cadena de la sierra girará una vez que arranque la unidad. Mantenga las manos y los pies lejos de la cadena de la sierra y no deje que ésta entre en contacto con ningún objeto.</p>
--	--

## ANTES DE ARRANCAR LA UNIDAD

1. Llene el depósito de aceite de la cadena con aceite de la cadena y barra. Consulte *Agregado de aceite de la cadena y barra* en la sección *Mantenimiento*.
2. Instale la batería. Consulte *Instalación de la batería*.

## INSTRUCCIONES DE ARRANQUE

**NOTA:** Para evitar que el motor arranque accidentalmente, esta unidad tiene una traba de gatillo. Se deben activar la traba de gatillo y el gatillo para encender la unidad.

1. Mantenga presionada la traba del gatillo (Fig. 15).
2. Continúe sosteniendo la traba del gatillo. Presione y el gatillo y manténgalo presionado para encender la unidad (Fig. 15).
3. Suelte el bloqueo del disparador, pero continúe apretando el disparador hasta el punto que se necesite para la operación.

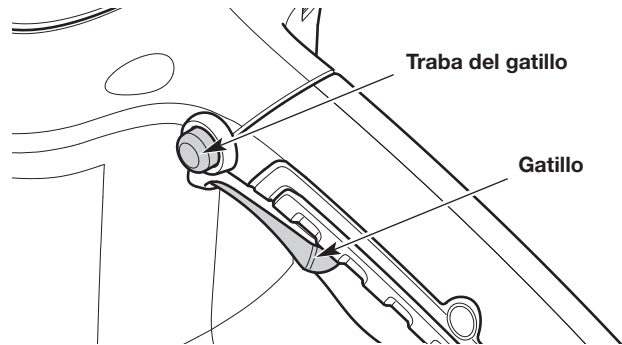


Fig. 15

## INSTRUCCIONES DE PARADA

1. Suelte el disparador (Fig. 15).
2. Espere hasta que todas las piezas móviles se detengan por completo.

**NOTA:** Al soltar el gatillo, la traba del gatillo se restablecerá a la posición de bloqueo.

## USO DEL FRENO DE CADENA

En situaciones de emergencia, también se puede detener la motosierra activando el freno de cadena. El freno de cadena puede activarse intencionalmente empujando hacia adelante la protección delantera para manos / la palanca del freno de cadena. También puede activarse si la mano del operador golpea la protección delantera para manos / la palanca del freno de cadena durante el retroceso.

### Prueba del freno de la cadena



**ADVERTENCIA:** Active siempre el freno de la cadena lenta y deliberadamente. Evite que la cadena de la sierra toque cualquier cosa. No deje la punta de la sierra de la cadena hacia adelante.

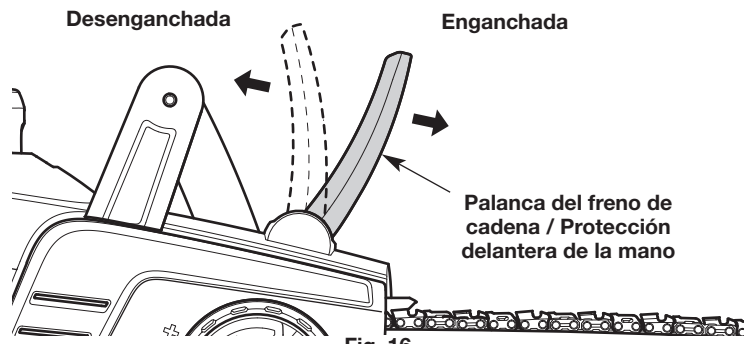


Fig. 16

Pruebe siempre el freno de la cadena antes de utilizar la unidad.

1. **Coloque la unidad sobre una superficie plana y nivelada.**
2. Verifique que la protección delantera para manos / la palanca del freno de cadena esté hacia atrás en la posición desactivada (Fig. 16).
3. Tome la unidad firmemente con ambas manos. Consulte *Sujeción de la unidad* en la sección *Funcionamiento*.
4. Arranque la unidad. Consulte *Instrucciones de arranque*.
5. Mientras la unidad está en funcionamiento, active el freno de cadena empujando hacia adelante la protección delantera para manos / la palanca del freno de cadena con la mano izquierda (Fig. 16). La cadena debe detener su movimiento repentinamente. Si no lo logra, haga revisar la unidad con un centro de servicio autorizado.
6. Detenga la unidad. Consulte *Instrucciones de detención*.
7. Tire hacia atrás la protección delantera para manos / la palanca del freno de cadena hasta la posición desactivada.

	<b>ADVERTENCIA:</b> No exponga las herramientas eléctricas a la lluvia o a condiciones húmedas.
	<b>ADVERTENCIA:</b> Controle siempre la tensión de la cadena y ajuste si es necesario antes de comenzar la operación. Consulte <i>Ajuste de tensión de la cadena</i> en la sección <i>Mantenimiento</i> .
	<b>ADVERTENCIA:</b> Asegúrese de que el depósito de aceite de la cadena está lleno antes de la operación. Controle constantemente el nivel de aceite para que no caiga por debajo de la mitad. Para funcionar correctamente la cadena de la sierra debe estar constantemente recubierta de aceite.
	<b>ADVERTENCIA:</b> Utilice siempre una adecuada protección ocular, auditiva, de manos, pies y corporal para reducir el riesgo de sufrir lesiones durante la operación de esta unidad. Use casco protector. De ser necesario, use un protector facial completo. Consulte la sección <i>Seguridad</i> para información apropiada del equipamiento de seguridad.

## CONTROL DEL NIVEL DE CARGA DE LA BATERÍA

1. Presione el botón del medidor de carga (Fig. 17).
2. Una o más de las luces del medidor de carga debería iluminarse (Fig. 17). La cantidad y el color de las luces indicarán el nivel actual de carga de la batería:
  - 3 Luces verdes = 66 - 100% de carga
  - 2 Luces verdes = 33 - 66% de carga
  - 1 Luz verde = 1 - 33% de carga
  - 1 Luz roja = 0% de carga
3. Si se ilumina la luz roja, cargue la batería antes de continuar usando la unidad.

**NOTA:** Mientras se utilizan, las baterías de ion de litio suministran electricidad con mínimo desvanecimiento. Cuando la batería está totalmente descargada, inmediatamente corta el suministro de alimentación a la unidad y es necesario realizar la carga.

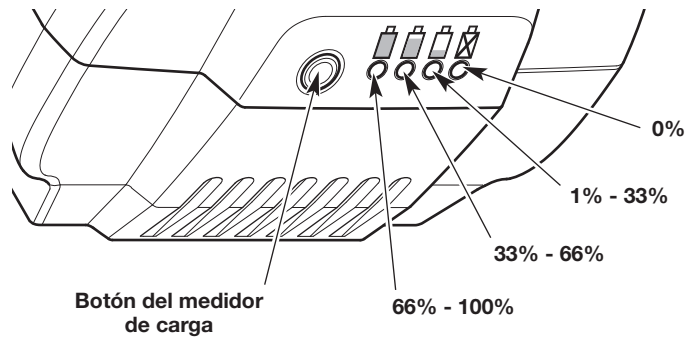


Fig. 17

## RECOMENDACIONES PARA MEJORES RESULTADOS

- Siga todas las instrucciones de seguridad. Consulte la sección *Seguridad*.
- Corte únicamente madera y materiales hechos de madera. No intente cortar lámina de metal, plásticos, mampostería o cualquier otro material que no sea de madera.
- Trabaje lentamente y mantenga un control cuidadoso.
- Practique cortar algunos troncos pequeños antes de comenzar una operación importante de corte. Quienes la usen por primera vez, deben practicar el corte de troncos sobre un caballete de aserrar o un bastidor antes de emprender otras operaciones.
- No intente cortar árboles o troncos con diámetros mayores de 10 pulgadas (25.4 cm).
- Cuando esté podando, primero retire las ramas más bajas para despejar el acceso y llegar a las ramas más altas y proporcionar espacio para las ramas que vayan cayendo.
- Cuando esté podando, retire las ramas largas en etapas, no todas a la vez.



## PREPARACIÓN DEL ÁREA DE TRABAJO

- Despeje la zona de niños, observadores y mascotas; manténgalos fuera de un radio de 50 pies (15 m), como mínimo. Incluso a esa distancia, sigue el riesgo de ser alcanzados por los objetos arrojados por el aire. Sugírales a los observadores que usen protección ocular. Si alguien se le aproxima, detenga la unidad de inmediato. Al talar, la distancia segura es por lo menos dos veces la altura del árbol más alto en el área de trabajo. Al tronzar, mantenga alejados a los operarios por lo menos 15 pies (4,6 m).
- Mantenga limpia el área de trabajo. Las áreas desordenadas se prestan a los accidentes. No comience a cortar hasta que el área de trabajo esté despejada y libre de obstrucciones. Compruebe que haya un lugar seguro para apoyar los pies y una senda de retirada planificada para los árboles y las ramas que caen.
- No corte cerca de cables eléctricos o líneas de tensión. Manténgase por lo menos a 50 pies (15 m) de distancia de las líneas de tensión.
- Use la unidad solamente con luz de día o con una buena luz artificial.

## SUJETAR LA UNIDAD



**ADVERTENCIA:** Utilice siempre estos lugares para las manos que se especifican a continuación independientemente de que el operador sea diestro o zurdo. Esto ayudará a mantener al operador levemente hacia la izquierda de la unidad y fuera de la línea directa de la cadena de la sierra en caso de que se produzca un contragolpe (Fig. 20 y Fig. 21). Mantenga siempre todas las partes del cuerpo a la izquierda de la línea de la cadena.

- Agarre siempre la unidad firmemente con ambas manos cuando esté funcionando.
- Rodee las manijas firmemente con los pulgares y dedos (Fig. 18). Esto reducirá la posibilidad de perder el control de la unidad en caso de que se produzca un retroceso. Cualquier toma colocando los pulgares y dedos del mismo lado de las manijas es peligrosa (Fig. 19).
- Párese en posición estable con los pies separados y bien plantados.
- Sostenga la manija delantera con la mano izquierda. Mantenga el brazo izquierdo derecho para soportar un retroceso potencial.
- Sujete la manija trasera con la mano derecha. Mantenga el brazo derecho ligeramente flexionado.
- No corte por arriba de la altura del hombro. No se extienda demasiado.
- Cuando esté transportando la motosierra de un lugar a otro, sosténgala de la manija delantera, alejándola del cuerpo, y mantenga la barra guía apuntando hacia atrás.

Sujeción correcta

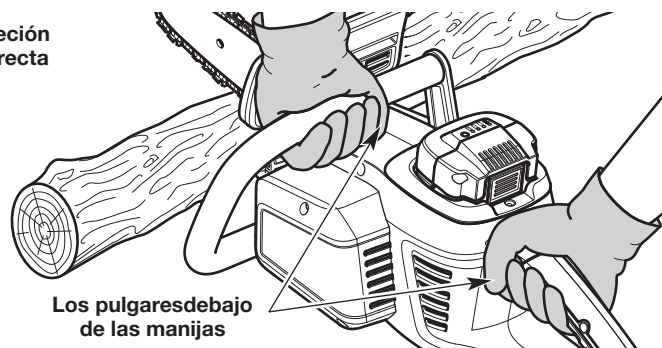


Fig. 18

Sujeción incorrecta

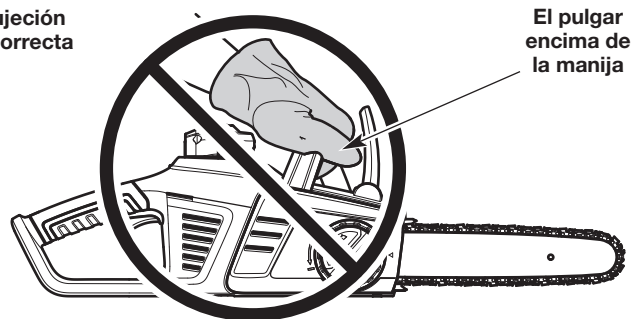


Fig. 19

Línea de la cadena

Postura correcta

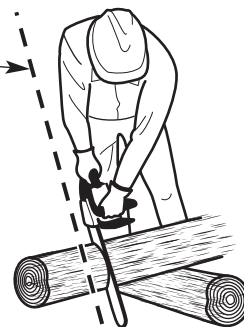


Fig. 20

Línea de la cadena



Postura incorrecta

Fig. 21

## ASPECTOS BÁSICOS DEL PROCEDIMIENTO DE CORTE

1. Arranque la unidad. Consulte *Instrucciones de arranque* en la sección *Arranque y detención*.
2. Asegúrese de que fluya aceite hacia la barra guía y la cadena de la sierra. Debería poder verse un leve rocío. Cuando use la unidad por primera vez, deje transcurrir entre 30 y 60 segundos para que el aceite comience a fluir.
3. Oprima la unidad contra la madera y mantenga una presión firme y constante durante la mayor parte de la operación de corte. No agregue presión a la unidad al final del corte.
4. Mantenga funcionando la unidad durante todo el corte.
5. No intente forzar la sierra a través de la madera. Deje que la cadena de la sierra haga el corte. Ejercer sólo una leve presión. Forzar el corte podría dañar la unidad o causar lesiones personales.
6. Suelte el gatillo tan pronto como termine el corte. Deje que la cadena de la sierra se detenga completamente. La cadena de la sierra, la barra guía y el motor podrían sufrir un desgaste innecesario si se hace funcionar la unidad sin una carga de corte.

## TALA: SEGURIDAD

La tala (felling) es el proceso de cortar un árbol. Siga estas medidas de seguridad para reducir el riesgo de lesiones graves, daños materiales y daños a los cables de electricidad:

- No tale árboles que tengan una inclinación extrema. No tale árboles con ramas secas, cortezas sueltas o troncos huecos. Haga que estos árboles sean derribados con equipamiento pesado.
- No corte árboles cerca de edificios o cables de electricidad. Deje estas operaciones para que las realicen profesionales en la materia. Si el árbol talado toca un cable eléctrico notifíquelo de inmediato a la empresa de electricidad.
- Inspeccione el árbol para detectar ramas secas o dañadas que podrían caer y causar lesiones graves.
- Retire la tierra, piedras, cortezas sueltas, clavos, alambres y otras obstrucciones provenientes del árbol que se va a talar.
- Cuando dos o más personas efectúan operaciones de talado y tronzado (bucking) en la misma área general, éstas deben estar separadas una de otra por una distancia de al menos el doble de la altura del árbol a talar.
- Tenga en cuenta la fuerza y la dirección del viento. Analice la inclinación y el equilibrio del árbol. Tenga en cuenta la ubicación de las ramas grandes. Todos estos factores influyen en la dirección en la cual caerá el árbol. No intente talar un árbol en una dirección distinta a la de su línea natural de caída.
- No tale árboles durante los períodos de precipitaciones o vientos fuertes.
- Determine una senda de escape rápida y segura. Despeje el área alrededor del árbol y compruebe que no haya obstrucciones que bloqueen la senda de escape. Establezca un corredor de escape en un ángulo de  $90^\circ$ , aproximadamente a  $135^\circ$  de la línea de caída (Fig. 22).
- Manténgase cuesta arriba del árbol; es muy probable que al caer éste ruede o se deslice cuesta abajo.

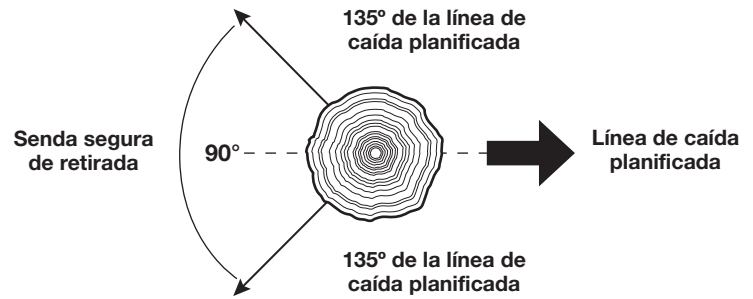


Fig. 22

## TALA: PROCEDIMIENTO

Los árboles pequeños de hasta 6 - 7 pulgadas (15 - 18 cm) de diámetro generalmente se talan en un solo corte. Los árboles más grandes necesitan de una secuencia de dos operaciones de corte: un corte inferior de muesca seguido de un corte final de tala. Posiblemente también sea necesario eliminar las raíces de apoyo.

### Paso 1: Eliminación de las raíces de apoyo

Las raíces de apoyo son raíces grandes que se extienden por encima del suelo y ayudan a sostener el árbol. Si el árbol tiene raíces de apoyo grandes que podrían impedir el proceso de tala, siga estos pasos para su eliminación:

1. Haga un corte horizontal en la raíz de apoyo (Fig. 23). Para evitar que el peso de la madera comprima la barra guía, siempre haga este corte en primer lugar.
2. Haga un corte vertical en la raíz de apoyo (Fig. 23).
3. Retire la sección suelta del área de trabajo.

### Paso 2: Ejecución del corte inferior de la muesca

**ADVERTENCIA:** Nunca camine delante de un árbol que tenga el corte inferior de la muesca.

Este corte determina en qué dirección caerá el árbol. Haga siempre este corte en el lado del árbol que mira en la dirección en que debería caer. Haga el corte en un ángulo de 90° respecto de la línea de caída.

1. Haga un corte horizontal en el tronco del árbol (Fig. 24). El corte debería ser de aproximadamente 1/3 del diámetro del árbol y cerca del suelo. Para evitar que el peso de la madera comprima la barra guía, siempre haga este corte en primer lugar.
2. Haga un corte a 45° en el tronco del árbol, arriba del primer corte (Fig. 24). Continúe cortando hasta que los dos cortes se unan.
3. Retire la sección suelta del área de trabajo.

### Paso 3: Ejecución del corte final de tala

**ADVERTENCIA:** Antes de hacer el corte final de tala siempre verifique que no haya personas, animales y obstáculos.

Este corte derriba el árbol.

1. Haga un corte horizontal en el lado opuesto del árbol a partir del corte inferior de la muesca (Fig. 25). Haga el corte aproximadamente 2 pulgadas (5 cm) por encima del corte inferior de la muesca (Fig. 25).
2. A medida que el corte se acerque al corte inferior de la muesca, el árbol sólo estará sostenido por una delgada banda de madera. Esta banda de madera se denomina bisagra (Fig. 25). La bisagra ayuda a controlar la caída del árbol. Deje aproximadamente 2 pulgadas (5 cm) de la bisagra en su lugar. No atraviese la bisagra. Si el corte atraviesa la bisagra podría hacer que el árbol caiga en cualquier dirección.
3. Periódicamente y durante el corte final de tala mire hacia arriba para ver si el árbol cae en la dirección correcta. Si hay alguna posibilidad de que el árbol no caiga en la dirección deseada o que se bambolea hacia atrás y apriete la cadena de la sierra, retire la barra guía del corte, detenga la unidad y utilice cuñas para abrir el corte y dirigir la caída (Fig. 26). Utilice únicamente cuñas de plástico o de madera. Inserte las cuñas lentamente en el corte. Una vez que éstas estén en su lugar y el corte se mantiene abierto vuelva a insertar la barra guía con cuidado y continúe con el corte o mueva las cuñas lentamente hacia adentro para empujar más el árbol.
4. A medida que se achica la bisagra, el árbol debería comenzar a caer. Cuando esto sucede, retire la sierra de cadena del corte, detenga el motor y apoye de inmediato la unidad. Salga rápidamente del área por la senda de retirada, pero siga observando el árbol mientras cae.

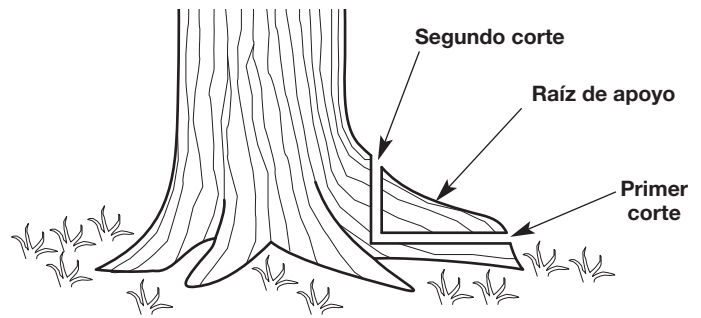


Fig. 23

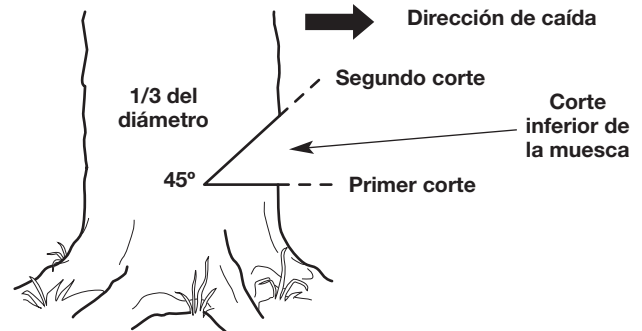


Fig. 24

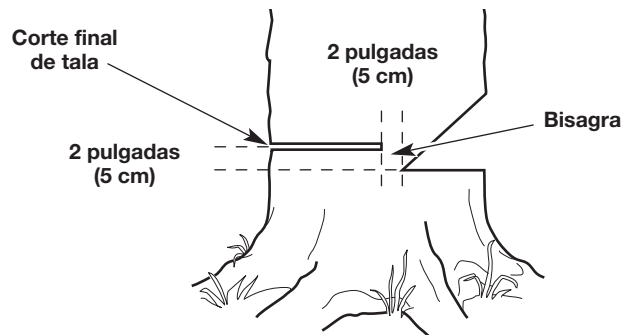


Fig. 25



Fig. 26



**PELIGRO:** Si el árbol comienza a caer en la dirección incorrecta y aprieta la sierra de cadena, abandone la unidad y evacúe el área de inmediato. ¡No intente recuperar la sierra!



**ADVERTENCIA:** Al operar la unidad manténgase alejado de las varas tensadas. Las varas tensadas podrían ser ramas, troncos, raíces o vástagos que son doblados bajo tensión por otra madera (Fig. 27). Cuando la tensión de las varas se libera, éstas pueden moverse hacia el operador golpeando su cuerpo y provocándole graves lesiones. Tenga sumo cuidado al cortar las varas tensadas o liberar la causa de la tensión.

Vara tensionada

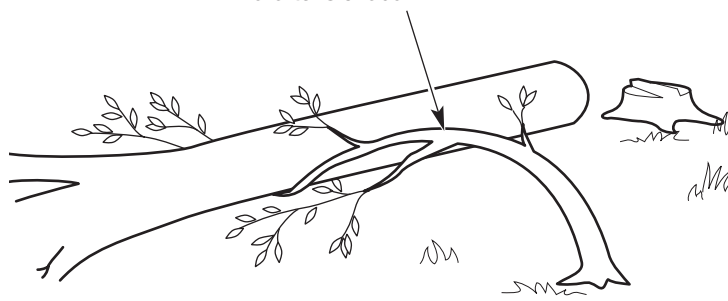


Fig. 27

## DESRAMADO

El desramado (limbing) es el proceso de cortar las ramas de un árbol caído.

1. Deje para lo último las ramas grandes de apoyo debajo del árbol (Fig. 28). Éstas mantendrán al árbol alejado del suelo durante el proceso de desramado.
2. Corte de a una rama por vez. Párese en el lado del árbol opuesto a la rama (Fig. 28). Mantenga el tronco entre el operador y la sierra de cadena. Para evitar que la sierra sea apretada, las ramas bajo tensión se deben cortar de abajo hacia arriba.
3. Retire las ramas cortadas del área de trabajo.



Fig. 28

## TRONZADO: SEGURIDAD

El tronzado (bucking) es el proceso de cortar un árbol talado en leños de longitudes deseadas. Siga las siguientes medidas de seguridad para reducir el riesgo de lesiones graves:

- Mantenga el área despejada de objetos u obstrucciones que podrían entrar en contacto con la barra guía y resultar en retroceso.
- Cuando efectúe el tronzado sobre una pendiente, párese siempre en el lado cuesta arriba del árbol derribado.
- De ser posible, el extremo del árbol a ser cortado debe estar elevado respecto del suelo. Un caballete es ideal para esta tarea. Si no hay disponible un caballete, utilice otros troncos o cualquier tocón que haya quedado. Compruebe que el árbol esté firmemente sostenido.
- No deje que la cadena de la sierra esté en contacto con el suelo o el caballete.
- Corte de a una rama por vez. Suelte el gatillo y permita que la cadena de sierra se detenga completamente antes de continuar con el siguiente tronco.
- Mantenga los pies y cualquier otra parte del cuerpo alejados de los troncos que caen.



**PELIGRO:** Tenga sumo cuidado cuando corte un árbol talado que todavía está unido a la raíz. Al separarlo de ellas, el tocón tiene gran potencial para balancearse hacia atrás y volver al agujero creado por las raíces. Esto puede causar lesiones graves o la muerte. Nunca se quede parado en el agujero que dejaron las raíces. Nunca deje que otros se paren cerca de la estructura de raíces.

## TRONZADO: PROCEDIMIENTO

### Corte de troncos bajo tensión

Cuando los troncos están sostenidos en uno o ambos extremos, la madera tiende a doblarse durante el proceso de corte. Esto puede causar que la cadena de la sierra quede atrapada entre los dos lados. Preste mucha atención.

1. Haga el primer corte a aproximadamente 1/3 del diámetro del tronco. No corte a más profundidad mayor de 1/3.
  - Si el tronco está sostenido en un extremo (Fig. 29), haga el primer corte desde el lado de abajo (tronzado desde abajo). Consulte *Tronzado desde abajo*.
  - Si el tronco está sostenido en dos extremos (Fig. 30), haga el primer corte desde el lado de arriba (tronzado desde arriba). Consulte *Tronzado desde arriba*.
2. Haga el segundo corte desde el lado opuesto hasta que los dos cortes se unan. Si el diámetro de la madera es suficientemente grande, inserte cuñas blandas de plástico o madera para mantener el corte abierto y evitar compresión (Fig. 33). Tenga cuidado de no tocar las cuñas con la cadena de la sierra.

### Corte de troncos completamente sostenidos

Cuando los troncos están sostenidos en toda su longitud, se debe tener cuidado adicional para que la cadena de la sierra no entre en contacto con el suelo u otra estructura de apoyo (Fig. 31).

1. Atraviese el tronco tanto como sea posible sin cortar el suelo o la estructura de apoyo. Haga el corte desde arriba (tronzado desde arriba). Consulte *Tronzado desde arriba*.
2. Haga rodar el tronco y termine de cortarlo desde arriba (tronzado desde arriba).

### Tronzado desde arriba (overbucking)

1. Comience a cortar el tronco desde arriba, con la parte inferior de la cadena de la sierra contra la parte superior del tronco (Fig. 31).
2. Ejerza una leve presión hacia abajo. La sierra tenderá a apartarse del operador. Esté preparado y sostenga la sierra firmemente para mantener el control.

### Tronzado desde abajo (underbucking)

1. Comience a cortar el tronco desde abajo, con la parte superior de la cadena de la sierra contra la parte inferior del tronco (Fig. 32).
2. Ejerza una leve presión hacia arriba. La sierra tenderá a moverse hacia el operador. Esté preparado y sostenga la sierra firmemente para mantener el control.

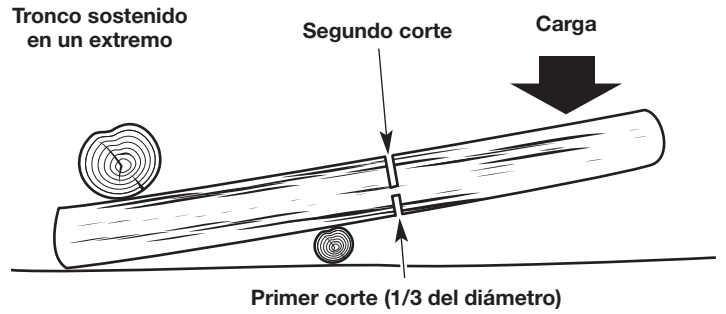


Fig. 29

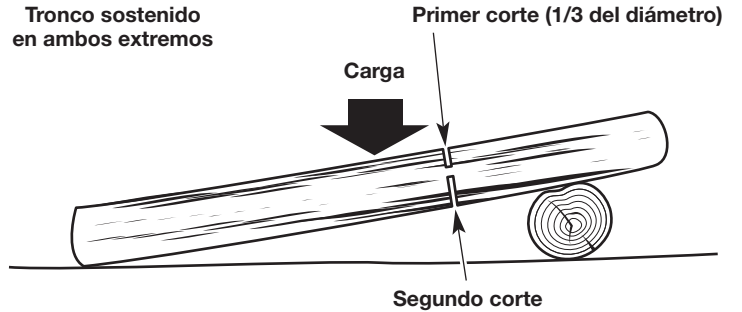


Fig. 30

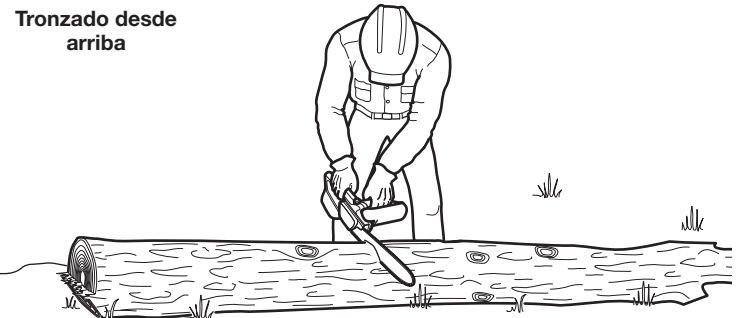


Fig. 31

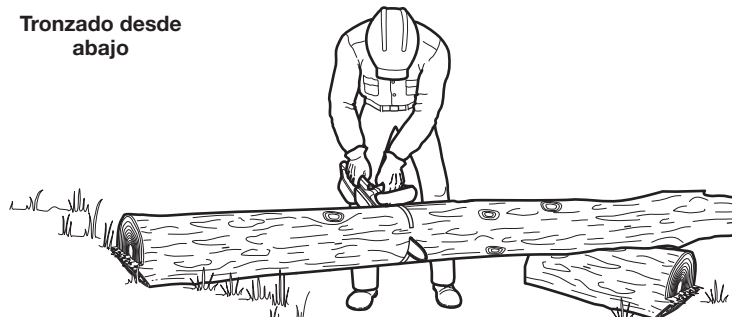


Fig. 32



Fig. 33

## PODA

	<p><b>ADVERTENCIA:</b> No corte a una altura superior a la del hombro con una sierra de cadena. Utilice una sierra de pértiga para cortar ramas por encima de la altura del hombro o contrate a un profesional. No opere la unidad en un árbol o sobre una escalera a menos que esté específicamente entrenado para hacerlo.</p>
	<p><b>ADVERTENCIA:</b> Las ramas que caen pueden causar lesiones graves. Utilice siempre protección adecuada para la cabeza. Planifique una senda de escape lejos de las ramas que caen. No se pare ni coloque ninguna parte del cuerpo directamente debajo de la rama que está cortando.</p>

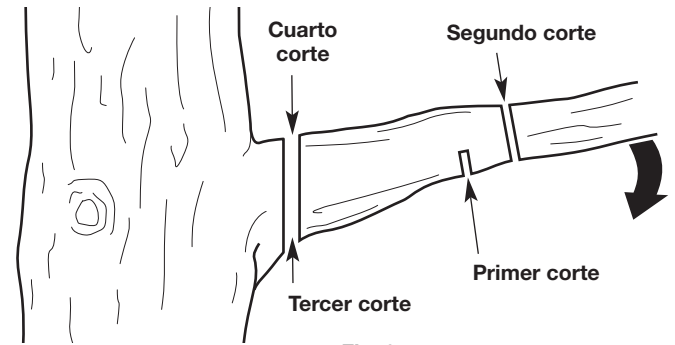


Fig. 34

La poda (pruning) es el proceso de cortar las ramas de un árbol vivo.

1. Realice el primer corte aproximadamente a 6 pulgadas (15 cm) del tronco del árbol. Corte hacia arriba, desde la parte de abajo de la rama. Use la parte superior de la barra de guía para hacer este corte. Corte hasta un tercio del diámetro de la rama (Fig. 34).
2. Haga el segundo corte de 2 a 4 pulgadas (5 - 10 cm) más afuera en la rama. Corte hacia abajo, desde la parte de arriba de la rama. Use la parte inferior de la barra de guía para hacer este corte. Corte atravesando totalmente la rama (Fig. 34).
3. Haga el tercer corte lo más cerca posible del tronco del árbol. Corte hacia arriba, desde la parte de abajo del muñón de la rama. Use la parte superior de la barra de guía para hacer este corte. Corte hasta un tercio del diámetro de la rama (Fig. 34).
4. Realice el cuarto corte directamente encima del tercero. Corte hacia abajo, desde la parte de arriba del muñón de la rama. Use la parte inferior de la barra de guía para hacer este corte. Corte atravesando totalmente el muñón de la rama hasta alcanzar el tercer corte (Fig. 34). Así se retira el muñón de rama.

## MANTENIMIENTO



**ADVERTENCIA:** Para evitar lesiones graves, nunca realice el mantenimiento de la unidad mientras está en funcionamiento. Desconecte siempre la batería para evitar que la unidad arranque accidentalmente. Siempre debe esperar que la unidad se enfríe antes de hacer el mantenimiento. Antes de realizar el mantenimiento del cargador de baterías, desenchufe siempre el mismo del tomacorriente.



**ADVERTENCIA:** Utilice vestimenta de protección y respete todas las instrucciones de seguridad para evitar que se produzcan lesiones personales graves.

### PROGRAMA DE MANTENIMIENTO

Realice estos procedimientos de mantenimiento requeridos con la frecuencia establecida en la tabla. Estos procedimientos también deben realizarse como parte de la afinación estacional.

Todas las tareas de reparación, con excepción de los procedimientos de mantenimiento que se describen en este manual, deben ser realizados por un centro de servicio autorizado.

**NOTA:** Algunos procedimientos de mantenimiento pueden requerir herramientas o habilidades especiales. Si no está seguro acerca de estos procedimientos, lleve la unidad a un centro de servicio autorizado de MTD.

### RESPONSABILIDAD DEL CLIENTE

FRECUENCIA	MANTENIMIENTO REQUERIDA
Antes de cada uso	<ul style="list-style-type: none"> <li>• Verifique si hay tornillos, tuercas o pernos flojos (ajústelos según sea necesario).</li> <li>• Verifique si hay piezas dañadas o gastadas*</li> <li>• Verifique el filo de la cadena de la sierra. Consulte <i>Afilado de la cadena de la sierra</i>.</li> <li>• Verifique la tensión de la cadena (ajuste según sea necesario). Consulte <i>Ajuste de tensión de la cadena</i>.</li> <li>• Llene el depósito de aceite de la cadena (recargue con frecuencia). Consulte <i>Agregado de aceite de la cadena y barra</i>.</li> </ul>
Luego de cada uso	<ul style="list-style-type: none"> <li>• Limpie la unidad e inspeccione las calcomanías. Consulte <i>Limpieza</i> en la sección <i>Limpieza y almacenamiento</i>.</li> </ul>
Cada 10 horas	<ul style="list-style-type: none"> <li>• Limpie los conductos de aceite y surcos de la barra guía.</li> </ul>

\* Si se requiere mantenimiento o reemplazo, haga que un centro de servicio autorizado de MTD realice el mantenimiento.

### MANTENIMIENTO DEL CARGADOR DE BATERÍAS

- Mantenga el cargador de baterías limpio y sin residuos. No permita que ingresen materiales extraños en la base de carga ni en los bornes (Fig. 35). Inspeccione el cargador de baterías para ver si hay materiales extraños antes de usarlo.
- Asegúrese de que el cargador no se haya cortocircuitado a causa de residuos. Inspeccione los bornes para detectar hollín y signos de fusión. No intente usar un cargador cortocircuitado.

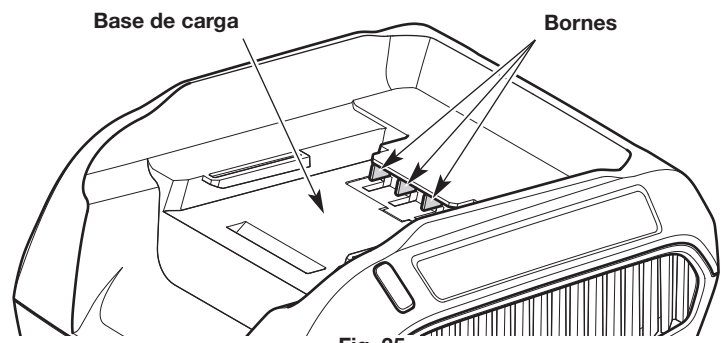


Fig. 35

## AGREGADO DE ACEITE DE LA CADENA Y BARRA

**PELIGRO:** Si no se llena el depósito de aceite de la cadena se ocasionará daño irreparable a la unidad. Asegúrese de que el depósito de aceite de la cadena está siempre lleno. Use siempre aceite para barra y cadena.

**ADVERTENCIA:** Verifique el nivel de aceite de la cadena con frecuencia para evitar que caiga por debajo de medio lleno.

La barra guía y la cadena de la sierra requieren lubricación para minimizar la fricción. Nunca deje que a la cadena y la barra guía les falte aceite lubricante. Si se hace funcionar la unidad sin suficiente aceite disminuirá la eficiencia del corte, se acortará la vida útil de la cadena, habrá un rápido desafilado de la cadena y un excesivo desgaste de la barra guía por sobrecalentamiento. La cantidad insuficiente de aceite lubricante se nota por la existencia de humo, la decoloración de la barra o la acumulación de resina.

Utilice únicamente aceite de cadena y barra formulado para el uso en un amplio rango de temperaturas sin necesidad de diluirlo en el depósito de aceite. No utilice lubricante de motores o cualquier otro aceite proveniente del petróleo. No utilice aceite sucio, usado o contaminado. Esto puede dañar la barra guía o la cadena de la sierra. Deseche el aceite viejo de acuerdo con las normativas federales, estatales y locales.

### Control del nivel de aceite de la cadena

1. **Coloque la unidad sobre una superficie plana y nivelada. Coloque la unidad en posición vertical (Fig. 36).**
2. Observe el interior del visor del nivel de aceite de la cadena. El nivel de aceite debe llenar el visor por lo menos hasta la mitad (Fig. 36). Si el nivel de aceite es demasiado bajo, agregue aceite para la barra y la cadena. Consulte *Llenado del depósito de aceite de la cadena*.

### Llenado del depósito de aceite de la cadena

1. **Coloque la unidad sobre una superficie plana y nivelada. Coloque la unidad con la tapa del depósito de aceite de la cadena mirando hacia arriba (Fig. 37).**
2. Para evitar que desperdicios entren en el depósito de aceite de la cadena, use un paño limpio para limpiar la tapa del depósito de aceite y la superficie que la rodea.
3. Desenrosque la tapa del depósito de aceite de la cadena (Fig. 37).
4. Vierta el aceite dentro del depósito con cuidado. **NO** llene el depósito en exceso.
5. Vuelva a instalar la tapa. Ajuste bien la tapa del depósito de aceite de la cadena.
6. Limpie el aceite que se pueda haber derramado.

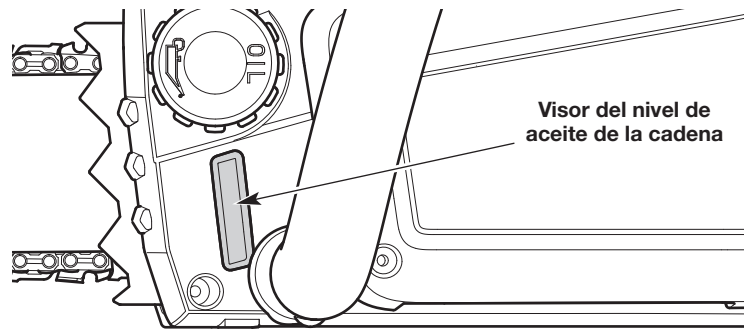


Fig. 36

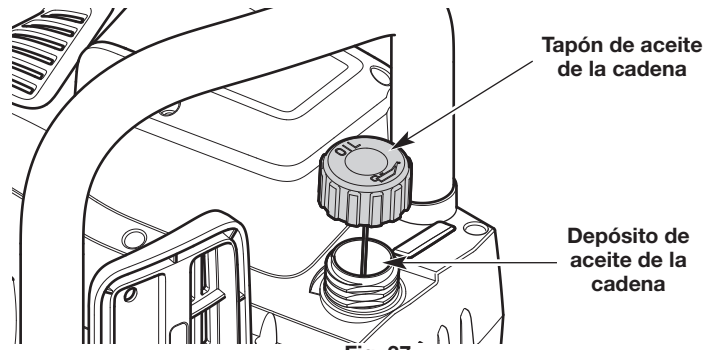


Fig. 37

## AJUSTE DE LA TENSIÓN DE LA CADENA

**PRECAUCIÓN:** Si la cadena de la sierra no está correctamente tensionada, la barra de guía, la cadena y los cojinetes se gastarán más rápidamente. Mantener la tensión adecuada de la cadena de la sierra mejora el rendimiento del corte y prolonga la vida útil de la cadena.

**ADVERTENCIA:** Para evitar lesiones graves, nunca toque la cadena de la sierra ni ajuste su tensión mientras la unidad está funcionando. Siempre apague la unidad y retire la batería para evitar que la unidad se encienda accidentalmente.

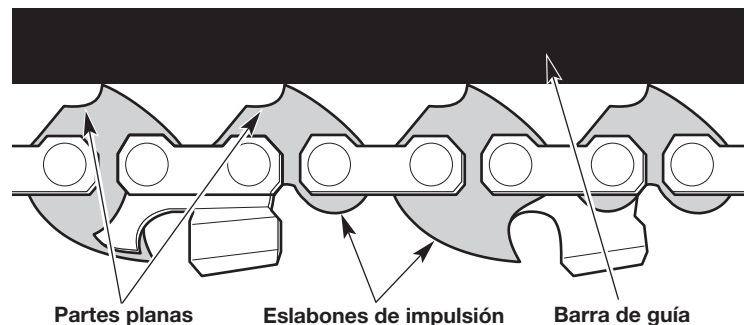


Fig. 38





**ADVERTENCIA:** La cadena de la sierra es muy filosa. Cuando manipule o efectúe el mantenimiento de la cadena de la sierra, use siempre guantes de protección reforzados.

Controle la tensión de la cadena antes y durante la operación. La sierra se expandirá a medida que se calienta durante la operación. Ajuste la tensión de la cadena siempre que las partes planas de la cadena de la sierra sobresalgan del surco de la barra (Fig. 38 y Fig. 42).

**NOTA:** Una cadena de sierra nueva tiende a estirarse y necesitará un reajuste luego de unos cinco (5) cortes. Esto es normal durante el período de ablande. El intervalo entre los ajustes futuros se alargará rápidamente.

1. Gire la perilla de la barra en el sentido contrario a las agujas del reloj para aflojar el acoplador (Fig. 39). **NO** saque completamente la tapa de la barra.
2. Sostenga la punta de la barra de guía hacia arriba (Fig. 40) y gire la perilla de tensión de la cadena para ajustar la tensión (Fig. 41).
  - Gire el anillo de tensión de la cadena en el sentido de las agujas del reloj para tensar la cadena de la sierra.
  - Gire el anillo de tensión de la cadena en el sentido contrario a las agujas del reloj para aflojar la cadena de la sierra.

La cadena de la sierra deberá encajar justo contra la parte inferior de la barra guía. No debe haber ninguna flojedad (Fig. 42).

3. Continúe sosteniendo la punta de la barra hacia arriba (Fig. 40). Gire la perilla de la barra en el sentido de las agujas del reloj para ajustar de manera segura la tapa de la barra (Fig. 39).



**PRECAUCIÓN:** Si la cadena de la sierra fue tensada mientras estaba caliente, puede tensarse demasiado al enfriarse. Afloje la tensión de la cadena luego de la operación y compruebe su tensión antes del siguiente uso.

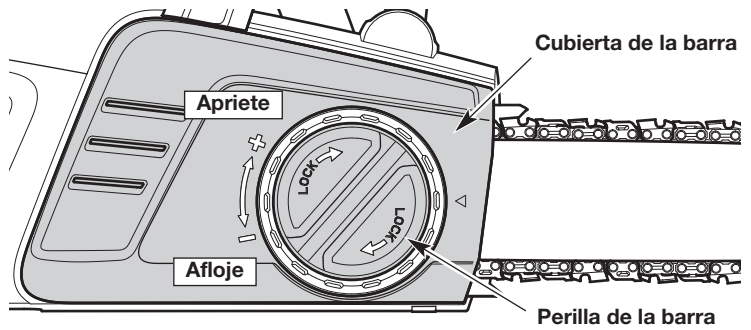


Fig. 39

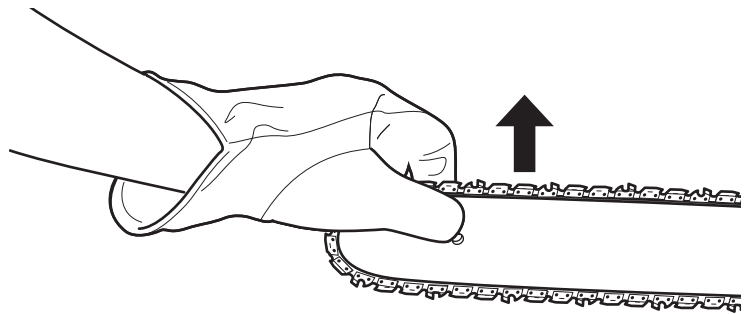


Fig. 40

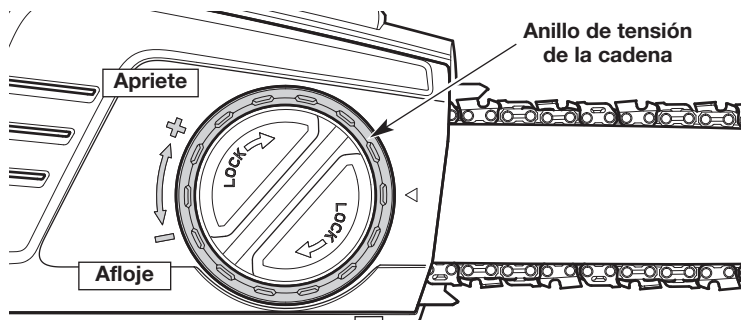


Fig. 41

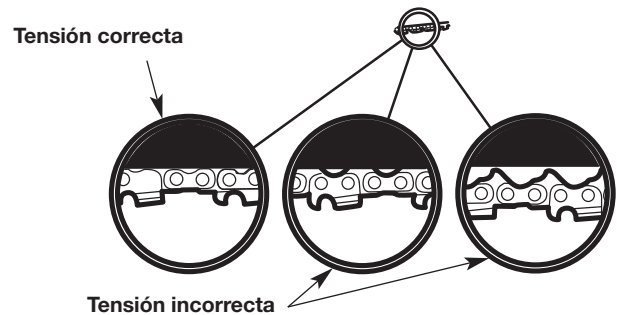


Fig. 42

## RETIRO E INSTALACIÓN DE LA BARRA GUÍA Y LA CADENA DE LA SIERRA



**ADVERTENCIA:** La cadena de la sierra es muy filosa. Cuando manipule o efectúe el mantenimiento de la cadena de la sierra, use siempre guantes de protección reforzados.

Es necesario retirar la barra guía y la cadena de la sierra cuando se efectúan los procedimientos de mantenimiento, por ejemplo, cuando se gira la barra guía. Al reemplazar las viejas barras de guía y cadenas de la sierra por otras nuevas, utilice siempre los repuestos especificados por el fabricante. Consulte *Reemplazo de la barra guía y la cadena de la sierra*.

### Retiro de la barra guía y la cadena de la sierra

1. Gire la perilla de la barra en el sentido contrario a las agujas del reloj para aflojar la tapa de la barra (Fig. 39).
2. Extraiga la cubierta de la barra.
3. Extraiga cuidadosamente la cadena de la sierra y la barra de guía (Fig. 45).
4. Retire la cadena de la sierra de la barra guía.
5. Utilice un pequeño destornillador Phillips para quitar el tornillo que sostiene el soporte en la barra de guía (Fig. 43).

### Instalación de la barra guía y la cadena de la sierra

1. Coloque el soporte en la barra de guía (Fig. 43). Se debe alinear el orificio del soporte con el orificio de la barra de guía (Fig. 43). Inserte el tornillo en los orificios alineados (Fig. 43). Ajuste el tornillo con un destornillador Phillips pequeño.
2. Coloque la cadena de la sierra sobre una superficie plana y enderece cualquier deformación.
3. Coloque la cadena de la sierra en el surco de la barra guía (Fig. 44). Compruebe que los cortadores están en la dirección correcta de rotación (Fig. 44). Mantenga un lazo de la cadena de la sierra en el extremo trasero de la barra guía (Fig. 44).
4. Mantenga la cadena de la sierra y la barra guía juntas en la posición sobre la unidad. Enganche la cadena de la sierra alrededor de la rueda dentada de impulsión e instale la barra guía sobre el perno de la barra de guía (Fig. 45). Compruebe que la barra guía esté al ras contra la superficie de montaje (Fig. 45). Compruebe que las partes planas sobre la cadena de la sierra están en los surcos de la rueda dentada de impulsión (Fig. 44).
5. Gire el anillo de tensión de la cadena (Fig. 41) hasta que la flecha que está en el anillo quede alineada con la flecha que está en la cubierta de la barra (Fig. 46).
6. Coloque la cubierta de la barra en la carcasa del motor. Verifique que el dispositivo de seguridad de la cadena esté colocado correctamente en la ranura de la cubierta de la barra (Fig. 47). Verifique que el poste de montaje esté colocado correctamente en el orificio de la cubierta de la barra (Fig. 47).
7. Gire el anillo de tensión de la cadena (Fig. 41) en el sentido de las agujas del reloj hasta que la cubierta de la barra esté conectada a la carcasa del motor y la barra de guía empiece a moverse hacia adelante.
8. Gire la perilla de la barra en el sentido de las agujas del reloj para apretar la cubierta de la barra (Fig. 39). **NO** apriete completamente la perilla de la barra.
9. Compruebe que la cadena de la sierra todavía esté en el surco de la barra guía. Ajuste la tensión de la cadena. Consulte *Ajuste de tensión de la cadena*.
10. Sostenga la punta de la barra hacia arriba (Fig. 40). Gire la perilla de la barra en el sentido de las agujas del reloj para ajustar de manera segura la tapa de la barra (Fig. 39).

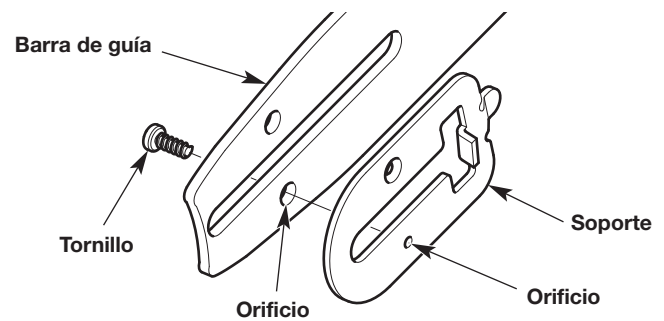


Fig. 43

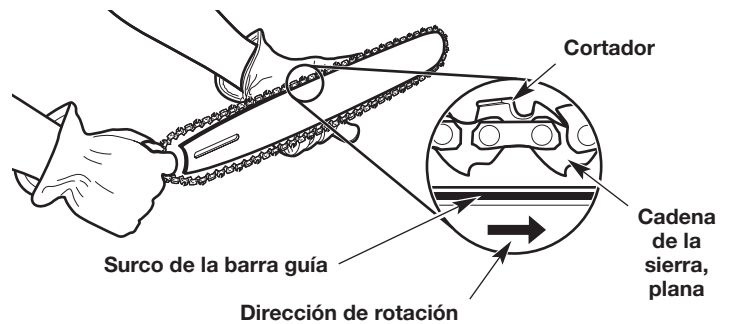


Fig. 44

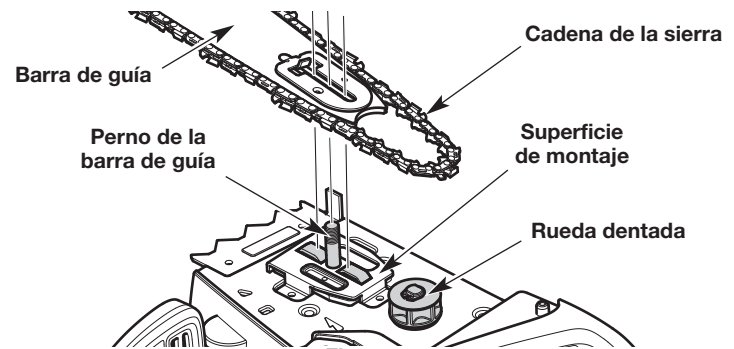


Fig. 45

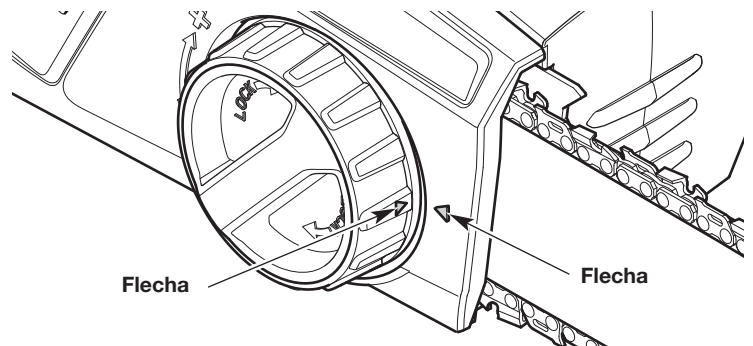


Fig. 46

## MANTENIMIENTO DE LA CADENA DE LA SIERRA

	<p><b>ADVERTENCIA:</b> La cadena de la sierra es muy filosa. Cuando manipule o efectúe el mantenimiento en la cadena de la sierra, use siempre guantes de protección reforzados.</p>
	<p><b>ADVERTENCIA:</b> Si la cadena de la sierra tiene un afilado inadecuado aumenta la posibilidad de tensión de retroceso. Si no se reemplaza o se mantiene adecuadamente la cadena de la sierra podrían producirse lesiones graves.</p>
	<p><b>PRECAUCIÓN:</b> Si la cadena de la sierra tiene un afilado inadecuado o deficiente puede haber una velocidad excesiva del motor durante la operación, lo que puede causar daños serios al motor.</p>

Para una operación eficiente y segura, la sierra debe tener un mantenimiento adecuado.

La cadena se desgastará con el uso haciendo que se estire. Esto es normal. Cuando ya no sea posible obtener un ajuste de tensión de cadena adecuado, será necesario hacer reparar la cadena de la sierra o reemplazarla en un centro de servicio autorizado. Consulte *Reemplazo de la barra guía y la cadena de la sierra*.

Siempre mantenga la cadena de la sierra afilada. Durante la operación, fíjese si existen los siguientes indicadores de una cadena de sierra desafilada:

- Las astillas de madera son pequeñas y pulverulentas.
- La cadena de la sierra debe ser forzada a través de la madera.
- La cadena corta hacia un lado.

Si existe cualquiera de estas condiciones, afile o reemplace la cadena de la sierra. Consulte la sección *Cómo Volver a Colocar la Barra Guía y Cadena de Sierra*.

**NOTA:** Si no comprendiera el proceso para afilar correctamente una cadena de sierra, hágala afilar con un centro de servicio autorizado o reemplace la cadena de sierra.

## MANTENIMIENTO DE LA BARRA DE GUÍA

1. Gire frecuentemente la barra de guía, a intervalos periódicos (por ej. después de 5 horas de funcionamiento), para garantizar desgaste parejo en la parte superior e inferior de la barra de guía. Consulte *Retiro e instalación de la barra guía y la cadena de la sierra*.
2. Limpie la canaleta de la barra de guía y los pasos de aceite siempre que se extraiga la cadena, cuando la unidad se ha usado mucho o cuando la cadena de la sierra parece estar sucia. Use un destornillador, una espátula, un cepillo de alambre o similar para retirar los residuos de la canaleta de la barra de guía (Fig. 48). Utilice un alambre liso y pequeño para eliminar cualquier desecho del orificio de descarga de aceite de la cadena (Fig. 49).

**NOTA:** Si los conductos de aceite están despejados, la cadena de la sierra liberará un spray oleoso poco después de comenzar a girar durante la operación.

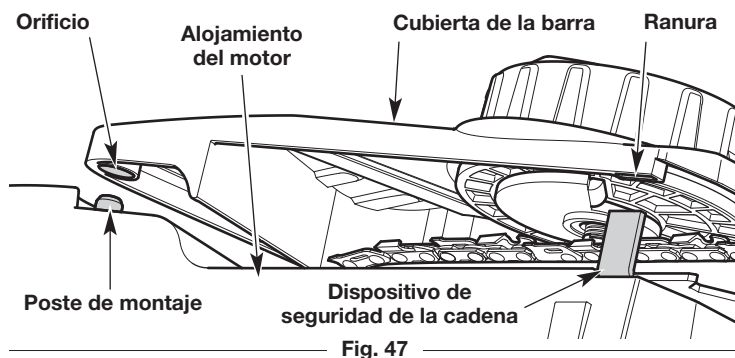


Fig. 47

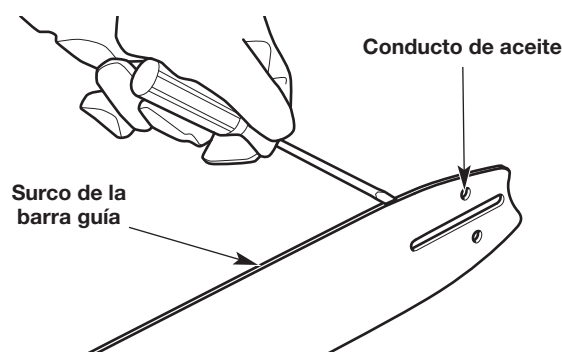


Fig. 48

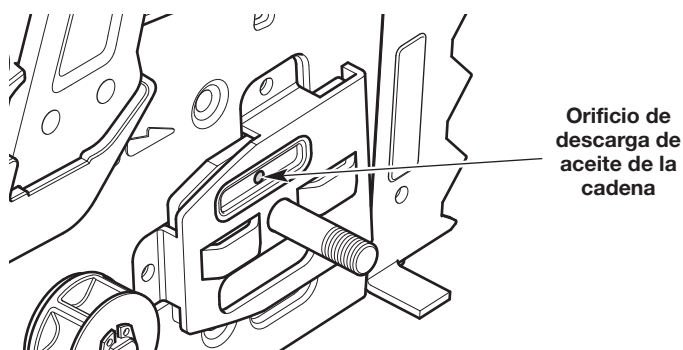


Fig. 49

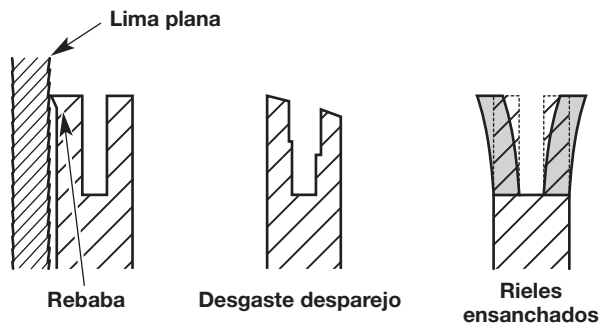


Fig. 50

3. Controle frecuentemente si hay daño en la barra de guía (Fig. 50). El biselado y desbarbado de los carriles de la barra de guía (los rebordes a ambos lados de la canaleta de la barra) es un proceso normal del desgaste de la barra. Estas fallas deben corregirse con una lima tan pronto ocurren (Fig. 50). Una barra de guía con las fallas siguientes debe ser reemplazada:

- Desgaste en el interior de los carriles de la barra de guía que permite que la cadena se vuelque
- Barra de guía doblada
- Carriles rotos o agrietados
- Carriles ensanchados

Consulte *Reemplazo de la barra guía y la cadena de la sierra*.

## REEMPLAZO DE LA BARRA GUÍA Y LA CADENA DE LA SIERRA



**ADVERTENCIA:** Utilice siempre una cadena de sierra de baja tensión de retroceso que reduce significativamente el peligro de retroceso. La cadena de sierra con bajo rebote no elimina completamente el rebote. La cadena de bajo rebote o “de seguridad” no debe considerarse nunca como protección total contra lesiones.

Al reemplazar la barra guía y la cadena de la sierra, utilice únicamente los repuestos especificados por el fabricante o sus equivalentes. Consulte Reemplazo de piezas. Si se usa cualquier otra pieza o accesorio no autorizado, el usuario podría sufrir lesiones graves o se podría dañar la unidad lo que ANULARÁ la garantía.

Use siempre un repuesto de cadena de sierra designado como “de bajo rebote” o una cadena de sierra que cumple con las exigencias de desempeño de bajo rebote. Una cadena de sierra estándar (una cadena que no tiene los protectores reductores de rebote) sólo debería ser usada por un operador de motosierras profesional y experimentado.

## LIMPIEZA Y ALMACENAMIENTO

### LIMPIEZA



**ADVERTENCIA:** Para evitar lesiones graves, nunca limpie la unidad mientras está en funcionamiento. Siempre desconecte la batería para evitar que la unidad arranque accidentalmente. Siempre deje que la unidad se enfríe antes de limpiarla. Desconecte siempre el cargador de baterías antes de limpiarlo.



**ADVERTENCIA:** Para evitar lesiones graves, no use agua para limpiar la unidad, las baterías o el cargador de baterías. No empape la unidad con agua. No sumerja la unidad en agua ni en ningún otro líquido. No utilice detergentes fuertes. Los productos de limpieza para el hogar que contienen aceites aromáticos como pino y limón, y los disolventes como el queroseno, pueden dañar el plástico.

1. Afloje la cadena de la sierra si se graduó la tensión de la cadena durante la operación. La cadena se contraerá a medida que se enfríe la unidad, lo cual puede dañar la unidad si la cadena está demasiado ajustada.
2. Use un cepillo pequeño o un paño limpio y seco para limpiar por fuera la unidad, la batería y el cargador de baterías.

**NOTA:** Al preparar la unidad para su almacenamiento prolongado (30 días o más), retire la barra guía y la cadena de la sierra. Limpie con cuidado la cubierta de la barra guía, la superficie de montaje de la barra y la rueda dentada. Para limpiar el surco de la barra guía utilice un cepillo firme que no sea de alambre. Vuelva a realizar el montaje de la unidad.

3. Cubra la barra de guía y la cadena de la sierra con un poco de aceite anticorrosivo.

### ALMACENAMIENTO

- Retire la batería de la unidad.
- Afloje la cadena de la sierra si se graduó la tensión de la cadena durante la operación. La cadena se contraerá a medida que se enfríe la unidad, lo cual puede dañar la unidad si la cadena está demasiado ajustada.
- Deje que se enfríen la unidad, la batería y/o el cargador de baterías.
- Limpie completamente la unidad, la batería y el cargador de baterías. Inspecciónelos para detectar si hay piezas flojas o dañadas. Reemplace las piezas dañadas y ajuste los tornillos, tuercas o pernos flojos.
- Cubra la barra de guía y la cadena de la sierra con la funda.
- Trabe la unidad, la batería y el cargador de baterías para evitar que se los utilice sin permiso o que se provoquen daños.
- Almacene la unidad, la batería y el cargador de baterías en espacio cerrado, en un lugar seco y bien ventilado.
- Almacene la batería y el cargador de baterías en un área con una temperatura que oscile entre 65 y 75°F (18 y 24°C).
- Desenchufe siempre el cargador de baterías cuando no esté en uso.
- Almacene la unidad, la batería y el cargador de baterías fuera del alcance de los niños.
- Si la batería se deja sin uso durante más de dos meses, cargue la misma totalmente antes de utilizarla.

**NOTA:** Es normal que el aceite de cadena y de barra se filtre de la unidad cuando no está en uso. Por favor tenga esto en cuenta cuanto guarda la unidad.

## LOCALIZACIÓN Y SOLUCIÓN DE PROBLEMAS

PROBLEMA	SOLUCIÓN
<b>LA BATERÍA NO CARGA</b>	
El cargador de baterías no está enchufado	Enchufe el cargador de batería en una fuente de alimentación de 120V 60 hz CA
La batería no está bien insertada en el cargador de baterías	Retire y luego reinserte la batería en la base de carga completamente
La batería y/o el cargador están demasiado calientes o demasiado fríos	Asegúrese de que la batería y el cargador estén en un entorno que esté a entre 32° F y 104° F (0° C y 40° C). Deje un tiempo para que la batería y/o el cargador se calienten o se enfríen.
La batería y/o el cargador de baterías ya no funcionan	Consulte en la sección <i>Garantía</i> la información referida al cambio
<b>LA BATERÍA SE DESCARGA RÁPIDAMENTE</b>	
La batería no está totalmente cargada	Cargue la batería completamente
La batería y/o el cargador de baterías ya no funcionan	Consulte en la sección <i>Garantía</i> la información referida al cambio
<b>EL MOTOR NO FUNCIONA</b>	
Le falta carga a la batería	Cargue la batería completamente
La batería no está bien instalada	Extraiga y reinstale la batería
El bloqueo del disparador no se activó	Presione y sostenga presionado el bloqueo del disparador antes de apretar el disparador
<b>EL MOTOR SE DETIENE MIENTRAS ESTÁ EN USO LA UNIDAD, PERO LA BATERÍA TIENE CARGA SUFICIENTE TODAVÍA</b>	
Se han conectado los sistemas de protección del dispositivo	Retire la batería, déjela enfriar durante 30 segundos, y vuelva a instalar la batería
<b>LA CADENA DE LA SIERRA SE SALE DE LA BARRA DE GUÍA</b>	
La cadena de la sierra está demasiado floja	Ajuste la tensión de la cadena de la sierra
La barra de guía y la cadena de la sierra han sido ensambladas incorrectamente	Consulte <i>Retiro e instalación de la barra guía y la cadena de la sierra</i>
<b>LA BARRA DE GUÍA Y LA CADENA DE LA SIERRA SE ESTÁN RECALENTANDO, ESTÁN HUMEANDO O ESTÁN ATASCADAS</b>	
La cadena de la sierra tiene demasiada tensión	Ajuste la tensión de la cadena de la sierra
La cadena de la sierra y la barra de guía no tienen aceite suficiente	Llene el depósito de aceite de la cadena
El surco de la barra guía y los conductos de aceite están sucios	Limpie la barra guía y los conductos de aceite
<b>LA CADENA DE LA SIERRA NO GIRA</b>	
La cadena de la sierra tiene demasiada tensión	Ajuste la tensión de la cadena de la sierra
La barra de guía y la cadena de la sierra han sido ensambladas incorrectamente	Consulte <i>Retiro e instalación de la barra guía y la cadena de la sierra</i>
La barra de guía y la cadena de la sierra están dañadas	Inspeccione la barra de guía y la cadena de la sierra para verificar que no estén dañadas. Reemplácelas en caso de ser necesario
El montaje del mecanismo de transmisión está dañado	Vea información sobre <i>Servicio</i>
<b>LA CADENA DE LA SIERRA GIRA PERO NO CORTA</b>	
La cadena de la sierra está desafilada	Afile o reemplace la cadena de la sierra
La cadena de la sierra está hacia atrás	Verifique y corrija la dirección de la cadena de la sierra

Si necesita asistencia adicional, comuníquese con un centro de servicio autorizado.

# REMINGTON®

## REMINGTON LLC GARANTÍA LIMITADA

### Garantía Limitada

La presente garantía limitada es otorgada por Remington LLC respecto de productos nuevos operados a batería de la marca Remington (en adelante el “Producto”) comprados y utilizados en los Estados Unidos y/o Canadá al Comprador Inicial (como se define aquí). Este Producto no está diseñado para uso comercial o alquiler.

### Alcance de la Garantía Limitada

Remington LLC ofrece la siguiente garantía limitada al Comprador Inicial cuando el producto se utilice con fines residenciales u otros fines no comerciales: a excepción de las Exclusiones (definidas aquí), durante el Período de Garantía (como se define aquí), este Producto (excluyendo la batería y el cargador de batería) estará libre de defectos de fabricación, incluyendo mano de obra y materiales. El “Comprador Inicial” significa la primera persona que compre este Producto nuevo en un concesionario Remington autorizado, distribuidor o vendedor de dichos productos. Esta garantía limitada es intransferible. Sujeto a las Exclusiones y a excepción de lo aquí indicado en contrario, el período de la garantía limitada para este Producto nuevo comprado por el Comprador Inicial es de **tres (3) años** a partir de la fecha de compra que figure en la factura original de venta del Producto (“Período de Garantía”).

### Defectos de Mano de Obra o Materiales

Sujeto a las Exclusiones y a excepción de lo aquí indicado en contrario, se garantiza que este Producto estará libre de defectos de fabricación, tanto de mano de obra como de materiales, durante el Período de Garantía. Durante el Período de Garantía, Remington LLC tendrá la opción de reparar o reemplazar cualquier pieza original que esté cubierta por esta garantía limitada y que se determine que presenta un defecto de mano de obra o materiales.

### Para calificar para esta Garantía Limitada, este Producto:

1. Debe haber sido comprado en un comercio autorizado.
2. Debe haber sido adquirido por el Comprador Inicial dentro de los Estados Unidos o Canadá.
3. Debe haber sido utilizado únicamente para fines residenciales (no comerciales).
4. Debe haber sido usado de una manera acorde al uso normal y correcto previsto para este Producto.

### ¿Quiénes pueden efectuar Reparaciones bajo esta Garantía?

Para calificar para la presente garantía limitada, las reparaciones efectuadas bajo esta garantía deben ser realizadas por un proveedor de servicios de garantía autorizado por Remington.

### Cómo obtener Servicios bajo esta Garantía Limitada.

Para localizar un proveedor de servicios de garantía de Remington, contáctese con su concesionario, distribuidor o comercio Remington autorizado o comuníquese con Remington LLC escribiendo a P.O. Box 361032, Cleveland, Ohio 44136-0019, llamando al 1-866-206-2707 o ingresando a nuestro sitio web: [www.remingtonpowertools.com](http://www.remingtonpowertools.com). Dentro de Canadá, contáctese con MTD Products Limited, 97 Kent Avenue, Kitchener, ON N2G 3R2, llame al call 1-877-696-5533 o ingrese al sitio web indicado arriba. Esta garantía limitada es otorgada por Remington LLC y es la única garantía que otorga Remington LLC para este Producto. PARA UN SERVICIO DE GARANTÍA NECESITARÁ PRESENTAR UNA COPIA DE SU FACTURA DE VENTA.

### Lo que NO cubre esta Garantía Limitada.

#### Esta Garantía Limitada No cubre lo siguiente (las “Exclusiones”):

1. Producto comprado fuera de los Estados Unidos o Canadá.
2. Los daños producidos por la falta de mantenimiento y/o un mantenimiento inadecuado, según se describe en el manual del operador.

3. El desgaste normal resultante de usar el Producto.
4. Las Piezas de Desgaste Normal (como se las define aquí) tienen la garantía de estar libres de defectos de mano de obra y materiales por un periodo de treinta (30) días desde la fecha de compra original por parte del Comprador inicial. A los fines de esta Garantía Limitada, "Piezas de Desgaste Normal" incluyen, entre otras, las siguientes: perillas de impacto, bobinas exteriores, hilo de corte, carretes interiores, poleas de arranque, cuerdas de arranque, correas de transmisión, motosierras, barras de guía, dientes de cultivadora y/o cuchillas.
5. El uso del Producto de manera no acorde al uso previsto para el mismo, como se describe en las instrucciones operativas, incluyendo, sin limitación, abuso, uso indebido y/o descuido del Producto o todo uso que no se compadezca y/o no cumpla con las instrucciones que figuran en el manual del operador.
6. Todo Producto que haya sido alterado o modificado de alguna manera que no se compadezca con el diseño original del Producto o de alguna manera no aprobada por Remington LLC.
7. Las llantas de ruedas (en caso de venir equipadas) están cubiertas por defectos de fabricación por un período de tres (3) meses a partir de la fecha de compra original por parte del Comprador Inicial.
8. La batería provista con este Producto está cubierta por una garantía que cubre defectos de mano de obra y materiales por un período de **tres (3) años** a partir de la fecha de compra original por parte del Comprador Inicial.
9. El cargador de batería provisto con este Producto tiene una garantía que cubre defectos de mano de obra y materiales por un período de **tres (3) años** a partir de la fecha de compra original por parte del Comprador Inicial.

**Esta Garantía no cubre y Remington LLC se exime de toda responsabilidad por cuestiones, entre otras, como las siguientes:**

1. Pérdida de tiempo o pérdida de uso del Producto.
2. Los costos de transporte y otros gastos relacionados con el transporte del Producto hasta y desde el establecimiento del proveedor de servicios de garantía autorizado de Remington.
3. Cualquier pérdida o daño a otros equipos o elementos personales.
4. Daños ocasionados por mantenimiento inadecuado o el uso de combustible, aceite o lubricantes que no fueran los especificados, según lo aprobado en el manual del operador.
5. Daños resultantes de la instalación o el uso de cualquier accesorio o pieza no aprobada por Remington LLC para usar con el Producto.

**Limitaciones:**

1. NO HAY NINGUNA GARANTÍA, INCLUYENDO, SIN LIMITACIÓN, NINGUNA GARANTÍA TÁCITA DE COMERCIABILIDAD O APTITUD PARA UN DETERMINADO USO. NINGUNA GARANTÍA SE APLICARÁ DESPUÉS DEL PERÍODO DE GARANTÍA APLICABLE SEGÚN LO ESTABLECIDO ANTERIORMENTE CON RESPECTO A LAS PIEZAS IDENTIFICADAS. NINGUNA OTRA GARANTÍA EXPRESA, SEA ESCRITA O VERBAL, A EXCEPCIÓN DE LA ARRIBA INDICADA, OTORGADA POR UNA PERSONA FÍSICA O JURÍDICA, INCLUYENDO UN CONCESIONARIO O COMERCIANTES, CON RESPECTO ALGÚN PRODUCTO SERÁ VINCULANTE PARA REMINGTON LLC. DURANTE EL PERÍODO DE GARANTÍA, EL RECURSO EXCLUSIVO ES LA REPARACIÓN O LA SUSTITUCIÓN DE LA PIEZA DEFECTUOSA, SEGÚN LO ESTABLECIDO ANTERIORMENTE. (ALGUNOS ESTADOS NO PERMITEN LIMITACIONES SOBRE EL TIEMPO DE DURACIÓN DE UNA GARANTÍA TÁCITA, POR LO QUE LA LIMITACIÓN ANTERIOR PODRÍA NO APLICARLE A USTED.)
2. LAS DISPOSICIONES ESTABLECIDAS EN EL PRESENTE DOCUMENTO PREVÉN EL ÚNICO Y EXCLUSIVO RECURSO QUE SURGE DE LA VENTA. REMINGTON LLC NO SERÁ RESPONSABLE POR DAÑOS O PÉRDIDAS INCIDENTALES O INDIRECTAS INCLUYENDO, SIN LIMITACIÓN, POR GASTOS DE TRANSPORTE O GASTOS SIMILARES O POR GASTOS DE ALQUILER PARA REEMPLAZAR PROVISORIAMENTE UN PRODUCTO GARANTIZADO. (ALGUNOS ESTADOS NO PERMITEN LA EXCLUSIÓN O LA LIMITACIÓN DE DAÑOS INCIDENTALES O CONSECUENTES, POR LO QUE QUE ES POSIBLE QUE LA EXCLUSIÓN O LIMITACIÓN ANTERIOR NO SE APLIQUE EN SU CASO).
3. En ningún caso el reembolso será superior al precio de compra del Producto vendido. La alteración de los elementos de seguridad del Producto anulará esta garantía limitada. Usted asume el riesgo y la responsabilidad por pérdidas, daños o lesiones personales y materiales tanto suyas como de terceros como consecuencia del uso o uso indebido o imposibilidad de usar este Producto.

**Leyes Estatales y esta Garantía.**

Esta garantía limitada le concede derechos legales específicos, y también es posible que tenga otros derechos, que varían de un estado a otro.

