

INSTALLATION & OPERATION MANUAL



Wood Stove MODELS 30-NC / 50-SNC30 / 50-TNC30



Manufactured By:
England's Stove Works, Inc.
PO Box 206
Monroe, VA 24574
Rev. 12/2016



SAVE THESE INSTRUCTIONS

WELCOME!

Introduction

- Precautionary Statements 3
- Thank You! 4

Installation

- Before Installation 5
- Correct Flue Size 6
- Flue System Guidelines 7
- Floor & Wall Protection 10
- Side Heat Shields 12
- Brick Layout 12
- Room Air Blowers 13
- Installation 14
- Mobile Home Installation 15
- Outside Air Hook-Up 15

Operation

- Air Inlet Control 16
- Building a Fire 16

Maintenance

- Glass Care 17
- Glass Gasket 17
- Door Gasket 18
- Fiber Board 18
- Burner Tubes 18
- Creosote 20
- Ash Disposal 20

Questions

- Hints and Tips 21

Parts and Options

- Parts & Options List 23
- Legs & Pedestal Installation 24

Warranty

- Sample Tag 25
- Warranty Details 26
- Warranty Registration Form 27

Important Information

- EPA and Safety Info 29

IMPORTANT NOTES: CLEARANCES MAY ONLY BE REDUCED BY MEANS APPROVED BY THE REGULATORY AUTHORITY HAVING JURISDICTION

DO NOT CONNECT TO ANY AIR DISTRIBUTION DUCT OR SYSTEM.

**DO NOT BURN GARBAGE OR FLAMMABLE FLUIDS SUCH AS GASOLINE, NAPHTHA OR ENGINE OIL.
DO NOT USE CHEMICALS OR FLUIDS TO START THE FIRE.**

INSTALLATION & OPERATION MANUAL

MODEL NUMBERS:	30-NCP	50-SNC30P	50-TNC30P
	30-NCL	50-SNC30L	50-TNC30L
	30-NCG	50-SNC30G	50-TNC30G

*Thank you for purchasing this product from a fine line of heating equipment.
We wish you many years of safe heating pleasure with your new heating appliance.*

Save These Instructions.

NOTE: IF YOU HAVE A PROBLEM WITH THIS UNIT DO NOT RETURN IT TO THE DEALER. CONTACT CUSTOMER SERVICE @ 1-800-245-6489.

Questions? Need Parts or Options? www.heatredefined.com

Please Note the Following Precautionary Statements:

England's Stove Works highly recommends the use of smoke detectors and Carbon Monoxide detectors with any hearth product, including this unit. Follow all manufacturers' instructions when using smoke or Carbon Monoxide detectors.

CAUTION: This stove must be installed in accordance with the Manufactured Home and Safety Standard (HUD), CFR 3280, Part 24 and must comply with local building and fire codes. Failure to follow these instructions could result in property damage, bodily injury or even death. Keep children, furniture, fixtures and all combustibles away from any heating appliance.



NOTE: THIS STOVE IS MOBILE HOME AND DOUBLE WIDE APPROVED (WITH OUTSIDE AIR HOOK-UP) FOR THE PEDESTAL MODEL ONLY – NOT FOR LEG MODELS. DO NOT INSTALL IN A SLEEPING ROOM. THE STRUCTURAL INTEGRITY OF THE MOBILE HOME FLOOR, WALL AND CEILING/ROOF MUST BE MAINTAINED.

CAUTION: This unit must be installed in accordance with these instructions and must comply with local building and fire codes. Failure to do so could result in a chimney or house fire. Keep children, furniture, fixtures, and all combustible materials away from any heating appliance. Refer to this owner's manual for all clearances to combustible materials.

SAVE THIS MANUAL FOR FUTURE REFERENCE.

Read this entire manual before you install and use your new room heater. If this room heater is not properly installed, a house fire may result. To reduce the risk of fire, follow the installation instructions. Failure to follow instructions may result in property damage, bodily injury, or even death.



Thank you for purchasing this fine product from England's Stove Works!

England's Stove Works was started, and is still owned by, a family that believes strongly in a "Do It Yourself" spirit – that's one reason you found this product at your favorite "Do It Yourself" store.

We intentionally design and build our stoves so that any homeowner can maintain his or her unit with basic tools, and we're always more than happy to show you how to do the job as easily and as inexpensively as possible.

From our free, downloadable service sheets to our "wizard-style," click-through Troubleshooting guide on our web site, we have always tried to help our customers stay "heat-ready," especially when oil and electricity prices continue to skyrocket.

Please look at our vast Help section on our web site and call our Technical Support department at (800) 245-6489 if you need any help with your unit. We are nearly always able to help "walk you through" any repairs, problems or questions you may have.

PLEASE NOTE: While information obtained on our web site and through our 800 number is always free of charge, there will be a service charge incurred with any "on-site" repairs or maintenance that we may arrange.

Wishing you years of efficient, quality and "comfy" heating,
England's Stove Works
Technical Support Department

www.HeatRedefined.com

(800) 245-6489

CAUTION: Stove is heavy.

In addition, when handling any sheet metal products, be aware that there may be sharp edges or burrs. Although we make every effort to eliminate any sharp edges, please use caution when handling any metal parts. Remember to disconnect (unplug) the stove from the power source and allow it to completely cool down before performing any maintenance.

This manual is available for free download on the manufacturer's web site. It is a copyrighted document and resale is strictly prohibited. The manufacturer may update this manual occasionally and cannot be responsible for problems including injuries or damages resulting from the use of information found in any manual from unauthorized sources.

PLEASE NOTE: If you purchased this model from certain stores, their model number may end in "L" "LC" "H" "CT", etc. This manual does apply to those models as well.

CAUTION

If you have any doubt concerning your ability to complete your installation in a professional-like manner after reading these instructions, you should obtain the services of an installer who is versed in all aspects as to the correct and safe installation. **Do not** use temporary, makeshift compromises during installation.

BEFORE INSTALLATION OF YOUR APPLIANCE

1. **HOT WHILE IN OPERATION. KEEP CHILDREN, CLOTHING AND FURNITURE AWAY. CONTACT MAY CAUSE SKIN BURNS.**
2. **DO NOT BURN GARBAGE OR FLAMMABLE FLUIDS.**
3. Check with the building inspector's office for compliance with local codes; a permit may be required.
4. This appliance requires a masonry or prefabricated chimney listed to ULC S629 (Canada) and UL103HT (U.S.) sized correctly.
5. A 6" diameter flue is required for proper performance.
6. Always connect this unit to a chimney and **NEVER** vent to another room or inside a building.
7. **DO NOT** connect to any duct work to which another appliance is connected, such as a furnace.
8. **DO NOT** connect this unit to a chimney flue serving another appliance.
9. **DO NOT USE CHEMICALS OR FLUIDS TO START THE FIRE.**
10. The connector pipe and chimney should be inspected periodically and cleaned if necessary.
11. Remember the clearance distances when you place furniture or other objects within the area. **DO NOT** store wood, flammable liquids or other combustible materials too close to the unit.
12. Contact your local fire authority for information on how to handle a chimney fire. Have a clearly understood plan to handle a chimney fire. In the event of a chimney fire, turn air control to a closed position and **CALL THE FIRE DEPARTMENT.**
13. DO NOT tamper with the combustion air control beyond normal adjustment.
14. Once the required draw is obtained, operate only with doors closed; open doors slowly when re-fueling (this will reduce or eliminate smoke from entering the room).
15. Visit our web site at www.heatredefined.com for helpful information, frequently asked questions, parts/accessory orders and more. **Customer Service: (800) 245-6489.**

Note on Outside Air Hookup: You can use an outside air hookup with this unit. We highly recommend it for homes built since the more air-tight construction standards went into effect. This involves connecting a metal pipe (usually three inches (3") in diameter - check your stove - and the pipe can be flex or rigid) from the air inlet pipe located on the bottom rear of the stove through your floor or wall. The outside end of this pipe should be covered in some manner (i.e. with a screen) to keep it clear of foreign matter. Be sure to keep it above the snowdrift line and clear of leaves and other debris. **It is necessary to use this hookup if installing in a mobile home or double-wide – See "Outside Air Connection" section of manual.**

A kit is available from England's Stove Works, Inc. designed for connecting this unit to outside combustion air. [Part No. AC-OAK3]

WHY THE CORRECT FLUE SIZE IS IMPORTANT: 6”

“Draft” is the force that moves air from the appliance up through the chimney. The amount of draft in your chimney depends on the length of the chimney, local geography, nearby obstructions, and other factors. Too much draft may cause excessive temperatures in the appliance. An uncontrolled burn or a glowing red part or chimney connector can indicate excessive draft. Inadequate draft may cause back puffing into the room and “plugging” of the chimney and/or cause the appliance to leak smoke into the room through appliance and chimney connector joints.

Today’s solid fuel appliances are much more efficient than in the past. The units are designed to give you controlled combustion, as well as maximum heat transfer, using less fuel to do so.

The design of your new appliance is such that the exhaust “smoke” is now at lower temperatures than in the past, therefore requiring proper chimney size to give adequate draft. If your chimney is too large, the heater will have a difficult time raising the temperature of the flue enough to provide adequate draft, which can cause a "smoke back," poor burn, or both.

Should you experience such problems, call in a local chimney expert.

With the door closed, the rate of burning is regulated by the amount of air allowed to enter the unit through the air control. With experience, you will be able to set the control for heat and burning time desired.

Attempts to achieve higher output rates that exceed heater design specifications can result in permanent damage to the heater. The recommended wood load is level with the top of the firebricks. Overloading may prevent sufficient air entering the heater to properly fuel the fire.

Do not tamper with the combustion air control beyond the normal adjustment capacity.

Operate this heater only with the door closed.

DO NOT OVERFIRE. If the heater or chimney connector glows, you are overfiring.

ALWAYS PROVIDE A SOURCE OF FRESH AIR INTO THE ROOM WHERE THE UNIT IS INSTALLED. FAILURE TO DO SO MAY RESULT IN AIR STARVATION OF OTHER FUEL BURNING APPLIANCES AND THE POSSIBLE DEVELOPMENT OF HAZARDOUS CONDITIONS.

THIS HEATER IS EXTREMELY HOT WHILE IN OPERATION. SERIOUS BURNS CAN RESULT FROM CONTACT. CAUTION SHOULD BE OBSERVED, ESPECIALLY WHEN CHILDREN ARE PRESENT.

CANADA Clearance to Combustibles (See Illustration 1) – see p. 7 for USA

Appliance Clearances	Unprotected Surfaces			Protected Surfaces (NFPA-211)		
	Side (A)	Rear (B)	Corner (D)	Side (A)	Rear (B)	Corner (D)
No stove heat shields	20-in	14-in	15-in	12-in	12-in	12-in
Side and Rear shields, single wall chimney connector	21-in	8-in	15-in	N/A	N/A	N/A
Side and Rear shields, double wall connector	20-in	5-in**	15-in	12-in	5-in**	12-in

NOTE: Flue Connector to back wall (C):

1. Single wall connector with rear shield = 18”
2. Single wall connector with rear & side shields = 10”
3. Double wall connector with rear & side shields = 7”

NOTE: Flue Connector to corner (E):

1. Single wall connector with rear shield = 20.5”
2. Single wall connector with rear & side shields = 19.5”

***Please Note that the AC-16 blower requires approx. 7” if installed on the rear of the unit*

FLUE SYSTEM

1. Existing Flue System

If you have chosen a freestanding unit, this stove is designed to connect to an existing flue system, such as masonry or a pre-manufactured Class A flue system. If you have a masonry flue system, the inner liner should be inspected carefully for cracks; if there is no liner in your chimney, we recommend you install a steel liner or have one installed. If you have an existing pre-manufactured system the inner liner should be inspected for warping or buckling. Either type chimney system should be thoroughly cleaned before installing your new stove. We strongly recommend you have a qualified chimney sweep clean and inspect your entire system, as the sweep can spot problems you might overlook. The sweep in most cases can make any necessary repairs or recommend a qualified person to do so.

It is not permissible to connect this unit to a chimney that is servicing another unit.

2. Flue Size

The proper flue size is determined by measuring the inside diameter of the flue collar on the unit. This stove is equipped with a six inch (6") TOP EXHAUST FLUE COLLAR. Therefore, the connector pipe should be six inches (6") and never less in diameter than the collar on the stove. Your unit may require an adapter (**AC-1677**) which will reduce the 6" connector pipe by 1/8". This is necessary to accommodate pipe variation from different manufacturers and maintain a good seal. The area of the chimney liner must also be equal to or greater than the area of the flue collar on the stove. If the area of the flue is greater than the collar, it should never be more than two and 1/2 (2.5) times greater.

The black connector pipe should be 24 gauge steel and eighteen inches (18.0") from a combustible wall or eighteen inches (18.0") from a combustible ceiling. This clearance can be reduced by using double wall or single wall stovepipe shields.

3. Installation of a New Flue System

Note: Flue systems and flue pipe are not furnished with the unit.

Masonry Flue: In the event that you plan to install or have a system installed, there are several approaches that you can take. In the middle and late seventies masonry flue systems became very popular, and today this type system is satisfactory. If you are considering a masonry system, you should consult with your local building officials for the proper procedures on this type chimney. We recommend you consult with and have your flue built by a licensed, bonded contractor. Most masonry chimney systems are placed against an outside wall and extend upward beside the house. The flue thimble is then inserted through the wall, making the connection with the stovepipe and the vertical flue. Exercise extreme caution when drilling through the wall -- you must maintain proper clearance between the connecting liner and any combustible material in the wall.

We also recommend you have a flue clean-out door located at least two feet (2') below your thimble for easy cleaning of the system. This door should be made as airtight as possible. It is the consumer's responsibility to ensure the chimney system is safe and in good operating condition.

The manufacturer will not be held responsible for an accident attributed to a unit connected to a faulty chimney system.

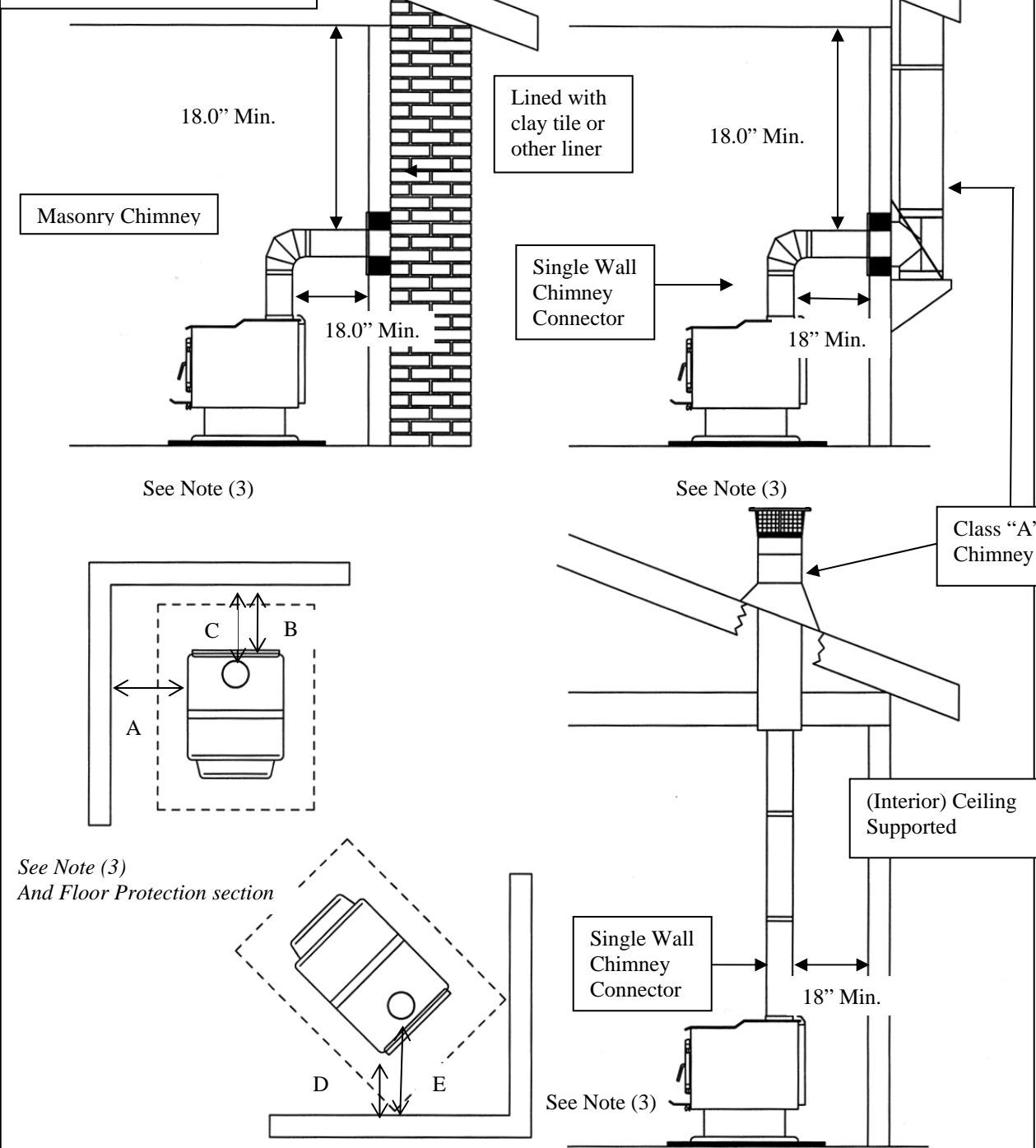
USA Clearance to Combustibles (See Illustration 1) – see p. 6 for Canada						
Appliance Clearances	Unprotected Surfaces			Protected Surfaces (NFPA-211)		
	Side (A)	Rear (B)	Corner (D)	Side (A)	Rear (B)	Corner (D)
No stove heat shields	20-in	14-in	15-in	12-in	12-in	12-in
Side and Rear shields, single wall chimney connector	19-in	8-in	14-in	12-in	8-in	12-in
Side and Rear shields, double wall connector	20-in	5-in**	15-in	12-in	5-in**	12-in
NOTE: Flue Connector to back wall (C):				1. Single wall connector with rear shield = 18" 2. Single wall connector with rear & side shields = 10" 3. Double wall connector with rear & side shields = 7"		
NOTE: Flue Connector to corner (E):				1. Single wall connector with rear shield = 20.5" 2. Single wall connector with rear & side shields = 19.5"		
**Please Note that the AC-16 blower requires approx. 7" if installed on the rear of the unit						

INSTALLATION APPLICATIONS
Illustration 1

NOTE:

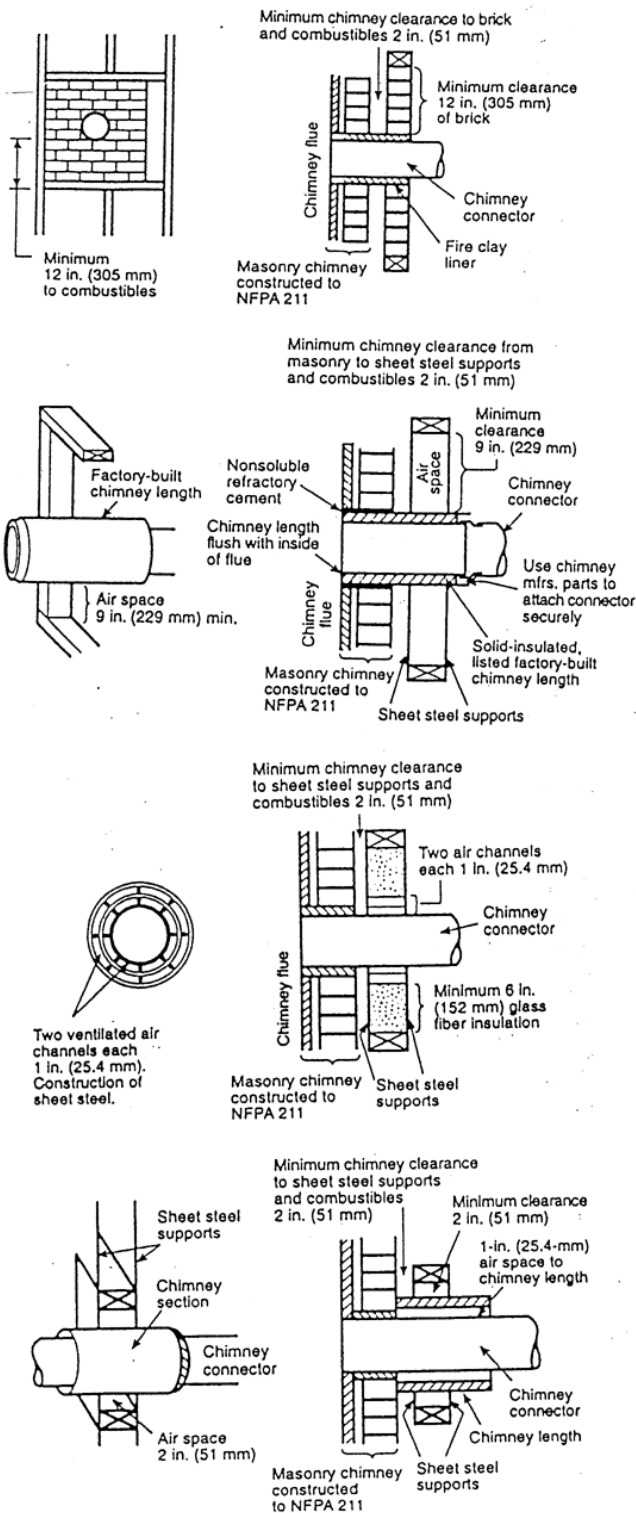
1. Horizontal run not to exceed 6'.
2. Total flue length should not exceed 25'.
3. Floor protection required:
4. Always check local codes for clearances, installation, etc.

Follow all venting system manufacturer's installation requirements AND their required clearances.



***IMPROPER INSTALLATION:** The manufacturer will not be held responsible for damage caused by the malfunction of a stove due to improper installation. Do not use makeshift methods or material which may compromise the installation. England's will not be liable for consequential or indirect damages to property or persons resulting from the use of this product. Call (800-245-6489) and/or consult a professional installer if you have any questions.

Chimney Connector Systems and Clearances from Combustible Walls for Residential Heating Appliances



A Minimum 3.5-in-thick brick masonry all framed into combustible wall with a minimum of 12-in brick separation from clay liner to combustibles. The fireclay liner shall run from outer surface of brick wall to, but not beyond, the inner surface of chimney flue liner and shall be firmly cemented in place.

B Solid-insulated, listed factory-built chimney length of the same inside diameter as the chimney connector and having 1-in. or more of insulation with a minimum 9-in. air space between the outer wall of the chimney length and combustibles.

C Sheet steel chimney connector, minimum 24 gauge in thickness, with a ventilated thimble, minimum 24 gauge in thickness, having two 1-in. air channels, separated from combustibles by a minimum of 6-in. of glass fiber insulation. Opening shall be covered, and thimble supported with a sheet steel support, minimum 24 gauge in thickness.

D Solid insulated, listed factory-built chimney length with an inside diameter 2-in. larger than the chimney connector and having 1-in. or more of insulation, serving as a pass-through for a single wall sheet steel chimney connector of minimum 24 gauge thickness, with a minimum 2-in. air space between the outer wall of chimney section and combustibles. Minimum length of chimney section shall be 12-in. chimney section spaced 1-in. away from connector using sheet steel support plates on both ends of chimney section. Opening shall be covered, and chimney section supported on both sides with sheet steel supports securely fastened to wall surfaces of minimum 24 gauge thickness. Fasteners used to secure chimney section shall not penetrate chimney flue liner.

INSTALLATION APPLICATIONS, Cont'd. Illustration 1b

(In Canada, the installation must conform to CAN/CSA-B365 when passing through combustible construction.)

Pre-Manufactured Flue System: In the past few years pre-manufactured flue systems have become very popular, because this type system is easily installed and, when done correctly, is very safe. There are many pre-manufactured flue systems on the market, and when making your choice it should be U.L., (U.L.C. if Canada), B.O.C.A. or I.C.B.O. approved. Any of these systems are constructed of the proper materials and meet the proper safety standards. Your local dealer normally handles an approved brand of flue pipe. There are two very popular methods for installation of this type system.

The *first*, most popular and least expensive is through the ceiling and out the roof. This is the most direct route and creates a good draw because it requires less pipe. It is less expensive because insulated pipe is needed only from the ceiling to the roof and above -- single wall 24 gauge or thicker pipe is used from the unit to the ceiling if you maintain eighteen inches (18.0") of clearance from all combustible material.

The *second* method for installing a pre-manufactured system is to exit through the wall and run the system vertically up the outside of the structure. This method is more expensive because more insulated pipe is required -- you must use insulated pipe through the wall and up the outside of the structure. In either installation, proper clearances to combustibles should be maintained. Your flue pipe manufacturer furnishes a wall thimble or ceiling support box and, when installed properly, the correct clearances are achieved. If you are unable to install this type system your local dealer may be able to recommend a qualified contractor for this installation. It is the customer's responsibility to ensure that his system is installed properly and is in good operating condition.

The manufacturer will not be responsible for an accident caused by a unit connected to a faulty flue system.

FLOOR AND WALL PROTECTION

1. Floor Protection

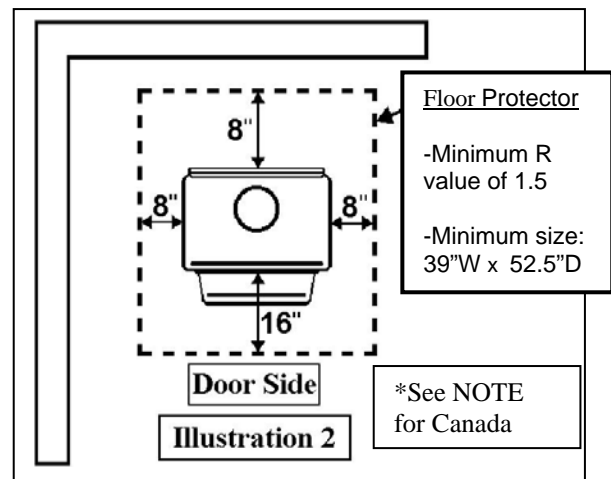
You will not need any floor protection if your floor is constructed of a non-combustible material such as brick or concrete. If your floor is constructed with a combustible material such as hardwood, carpet or linoleum, you must place protection between the stove and the combustible material.

There are many floor and wall board manufacturers, and you should be very cautious in choosing the proper protection. The type board you choose should be U.L. rated and listed (ULC if Canada). After examining the area you plan to place your stove and determining it requires a board, the next step is to select the proper size. The stove you choose will determine the size board that is required. The approved protector board should be large enough to provide a minimum of eight inches (8") behind the unit, eight inches (8") on both sides and sixteen inches (16") in the front where the door is located. ***NOTE:** For Canada, 450 mm is required in front and 200 mm on the sides and back. The protection must have an R-value of 1.5 (English units) or equivalent (See "Installation on a Combustible Floor"). This stove requires a minimum 39.0" x 52.5" floor protection.

Installation on a Concrete Floor

An appliance mounted on a concrete floor does not require floor protection. Carpeting and any other combustible material must not cover the Floor Protector.

If a combustible surface is applied to the concrete floor, a clearance must be maintained equivalent to the area reserved for the floor protector.



Installation on a Combustible Floor

If the appliance is to be installed on a combustible floor or a combustible floor covering, it must be installed on a 1" thick non-combustible millboard floor protector or a durable equivalent, with a "R" factor of at least "1.5" (English units) or equivalent. The pad must be installed beneath the unit, extending 16" (U.S., 450 mm Canada) on the side equipped with a door, and 8" on all other sides (200 mm Canada). The pad must cover any horizontal chimney connector runs and extend 2" beyond each side.

Alternate Floor Protection:

An easy means of determining if a proposed alternate floor protector meets requirements is to follow this procedure:

- 1) Convert specification to R-value:
 - i R-value is given – no conversion is needed
 - ii k-factor is given with a required thickness (T) in inches: $R = 1/k \times T$
 - iii C-factor is given: $R = 1/C$
- 2) Determine the R-value of the proposed alternate floor protector:
 - i Use the correct formula given in step 1 (above) to convert values not expressed as "R."
 - ii For multiple layers, add R-values of each layer to determine overall R-value.
- 3) If the overall R-value of the system is greater than the R-value of the specified floor protector, the alternate is acceptable.

EXAMPLE:

The specified floor protector should be ¾" thick material with a k-factor of 0.84. The proposed alternate is 4" brick with a C-factor of 1.25 over 1/8" mineral board with a k-factor of 0.29.

Step (a): Use formula above to convert specification to R-value.

$$R = 1/k \times T = 1/0.84 \times .75 = 0.893$$

Step (b): Calculate R of proposed system.

$$4" \text{ brick of } C = 1.25, \text{ therefore } R_{\text{brick}} = 1/C = 1/1.25 = 0.80$$

$$1/8" \text{ mineral board of } k = 0.29, \text{ therefore } R_{\text{min.bd.}} = 1/0.29 \times 0.125 = 0.431$$

$$\text{Total } R = R_{\text{brick}} + R_{\text{mineral board}} = 0.8 + 0.431 = 1.231$$

Step (c): Compare proposed system of R of 1.231 to specified R of 0.893. Since proposed system R is greater than required, the system is acceptable.

Definitions:

$$\text{Thermal conductance} = C = \frac{\text{Btu}}{(\text{hr})(\text{ft}^2)(\text{deg F})} = \frac{W}{(\text{m}^2)(\text{deg K})}$$

$$\text{Thermal conductivity} = k = \frac{(\text{Btu})(\text{inch})}{(\text{hr})(\text{ft}^2)(\text{deg F})} = \frac{W}{(\text{m})(\text{deg K})} = \frac{\text{Btu}}{(\text{hr})(\text{ft})(\text{deg F})}$$

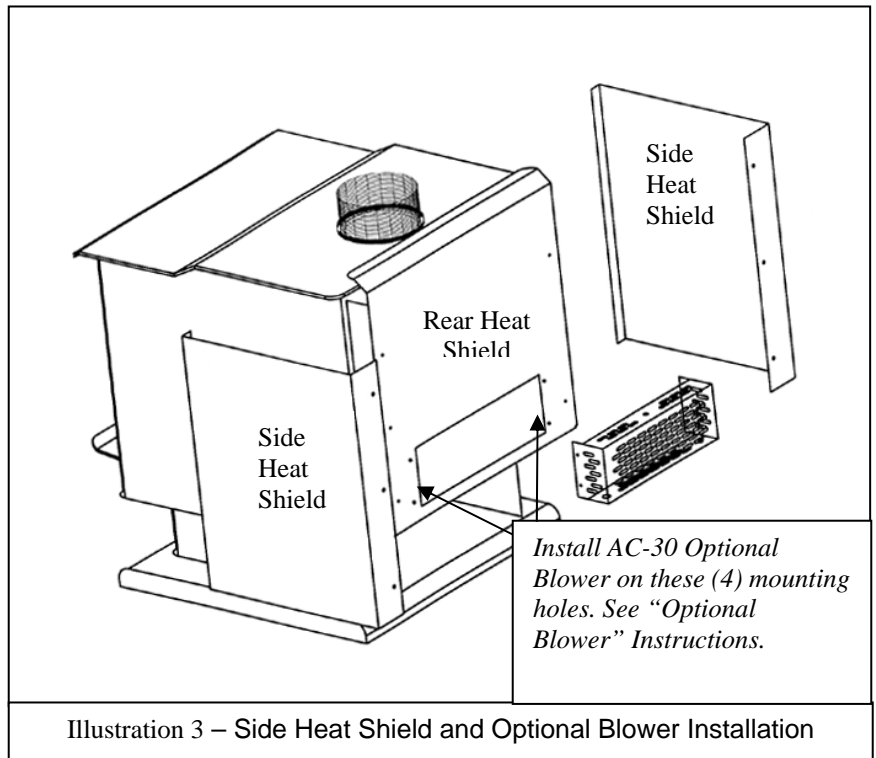
$$\text{Thermal resistance} = R = \frac{(\text{ft}^2)(\text{hr})(\text{deg F})}{\text{Btu}} = \frac{(\text{m}^2)(\text{deg K})}{W}$$

2. Wall Protection

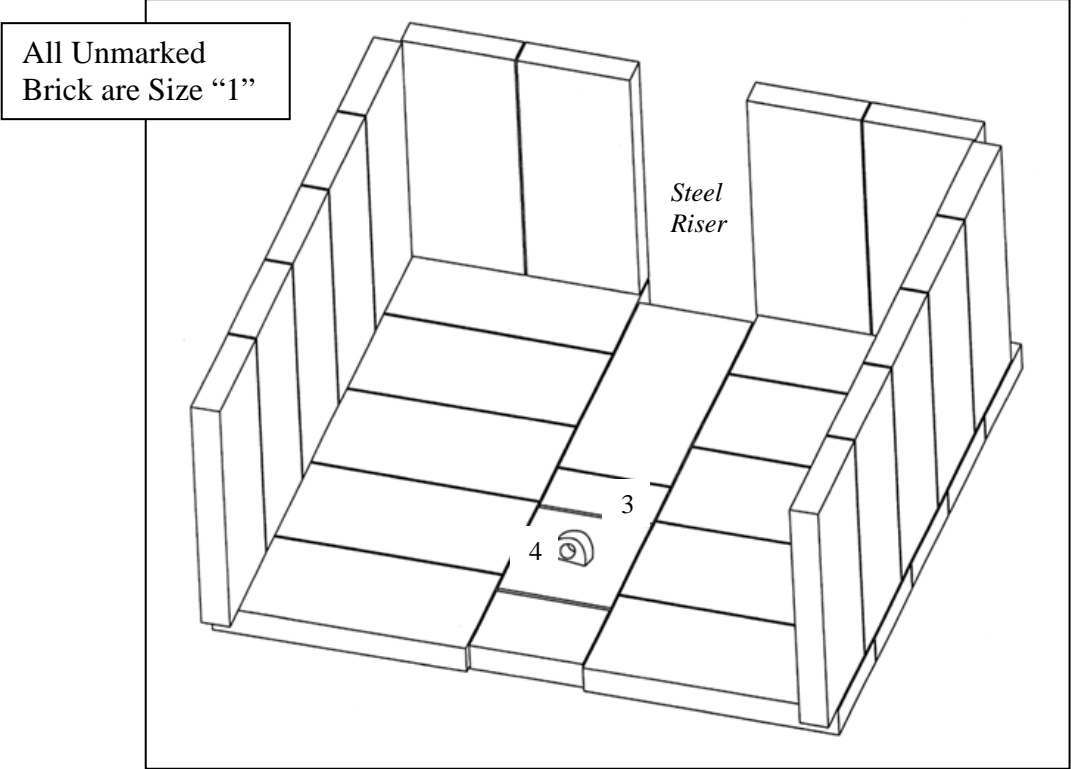
Please see Illustration 1 for clearances to walls. In some areas local codes may require thirty-six inches (36") from a combustible; therefore it is very important that you check with local officials. If you need to place your unit closer to a combustible wall, some protection will be necessary. If an approved wall board is used this will reduce your clearance by two thirds (2/3); however, a one inch (1") air space has to be between the board and the wall. If you have a ceiling flue hook-up, you will need protection from the floor to the ceiling if you do not meet the normal clearances. If you have a wall flue hook up, you will need wall protection at least twelve inches (12") above the wall thimble.

3. Side Heat Shields

This accessory item comes with the hardware (six (6) mounting screws) necessary to install it on the rear of the stove. This is a two-piece heat shield, but is installed one piece at a time. There are pre-punched holes on each side of the Rear Heat Shield; while holding each piece of the Side Heat Shield in place, align the pre-punched holes in the Side Heat Shield with the existing holes in the Rear Heat Shield, and fasten with the screws provided.



See Illustration 1 for clearances with and without side heat shields.



BRICK LAYOUT	
1 – (Unmarked on diagram) – 9" x 4" x 1.25" brick (Qty. 25)	3 – 4" x 2 ½ " x 1.25" brick (Qty. 1)
2 – 4" x 2" x 1.25" brick (Qty. 1)	4 – Metal plate (Ash Drawer Plate, Qty. 1)

STANDARD (AC-16) BLOWER



ROOM AIR BLOWER: MODEL AC-16

120 VOLTS, 60Hz, 0.75 AMPS, 2900 RPM

DANGER: RISK OF ELECTRIC SHOCK. DISCONNECT POWER BEFORE SERVICING UNIT.

ALWAYS FOLLOW ALL CODES AND OWNER'S MANUALS!

BLOWER MOTOR OPERATING INSTRUCTIONS:

This unit is set up for installation of an optional 2-speed blower motor. The fan speed should be run on "Low" when the unit is operating at lower burn settings, and set to "High" for high burns. When routing the power cord, be sure that the cord does not come into contact with any hot surface.

The optional heat circulation blower on this stove requires periodic lubrication; this lubrication should be performed no less than every three months of normal operation. To properly lubricate the blower, use an eye dropper or similar dispensing device to drip 5-7 droplets of SAE 20 oil into the oil port on the side of the blower motor.

OPTIONAL (AC-30) BLOWER

There is a larger, optional blower available.



OPTIONAL BLOWER: MODEL AC-30

120 VOLTS, 60Hz, 0.75 AMPS, 3000 RPM

DANGER: RISK OF ELECTRIC SHOCK. DISCONNECT POWER BEFORE SERVICING UNIT.

OPTIONAL BLOWER MOTOR OPERATING INSTRUCTIONS:

This unit is set up for installation of a variable speed optional blower motor. The fan speed should be run on "Low" when the unit is operating at lower burn settings, and set to "High" for high burns.

See Illustration 3 on the previous page ("Side Heat Shields") for installation location of your optional blower. Remove rectangle cover plate if installed. Fasten blower motor to rear heat shield with the four screws that are provided with your unit. Air should flow upwards when installed. When routing power cord, be sure that the cord does not come into contact with any hot surface.

FREESTANDING PLACEMENT AND INSTALLATION

The first problem you may encounter is getting your stove into your home -- all of our stove products are well constructed, which makes them rather heavy. Three to four adults can normally handle a unit, but we still recommend using a handcart. Never attempt to handle a heating product alone!!! The door and brick can be temporarily removed to lighten the unit (refer to Brick Layout). After the unit is placed into position, install the spring handles and attach any optional equipment.

Chimney Connector Pipe

The black pipe must be six inches (6") in diameter and at least 24 gauge steel pipe. Do not use aluminum or galvanized steel pipe, as it will not withstand the extreme temperatures generated by the stove. Also, do not use single wall connector pipe as a chimney -- you must connect your stove to a chimney comparable to those listed earlier in this manual. The crimped end of your pipe should be inserted into the flue collar and, by doing this, all the pipe will be reversed. If you use this method the creosote will run back down the inside of your pipe and not out of the joints onto your stove. As a safety precaution, all joints should be sealed with high temperature silicone (AC-RTV3) and secured with sheet metal screws.

For proper operation the chimney connector should be as short as possible and never exceed a six foot (6') horizontal run. Horizontal runs of chimney connector pipe should have an upward slope of one quarter of an inch (1/4") per foot. You will need to maintain eighteen inches (18") of clearance from the ceiling and eighteen inches (18") from the wall, unless you are using double wall or shielded pipe.

INSTALLATION

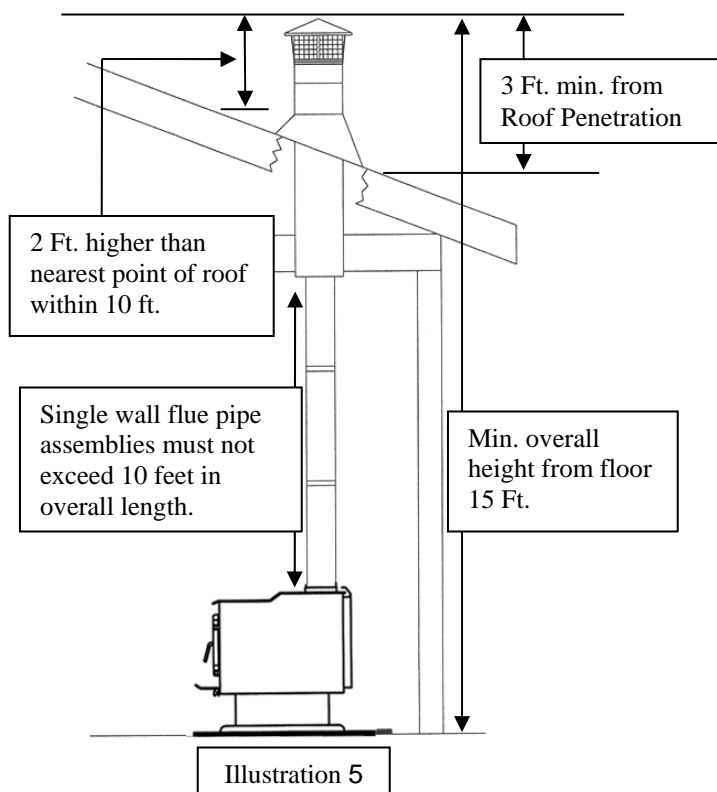
1. Remove all parts from inside the stove body.
2. Select the proper location for the stove. These appliances must not be installed any closer than the minimum clearance to combustible materials shown in Illustration 1. The stove must be installed on a non-combustible surface as shown in Illustration 1 and Illustration 2.

<p>FAILURE TO FOLLOW THE MINIMUM CLEARANCE REQUIREMENTS MAY RESULT IN AN UNSAFE INSTALLATION.</p>
--

3. If non-combustible materials have been installed on the walls, obtain the minimum clearances from either the manufacturer of these materials or the local building inspector's office.
4. Install the stovepipe **INSIDE** the flue collar on the top of the stove, between the stove and the chimney.
5. **DO NOT** use a grate to elevate the fire.
6. A clearance of 18.0 inches between the stovepipe and combustible materials is required. Check with authorities having jurisdiction in your area with any questions.
7. All pipe sections must be connected with the male (crimped) end toward the stove.
8. Fasten the stove pipe to the flue collar by the use of three sheet metal screws. Do the same at each additional joint to make the entire installation rigid.
9. Maintain the required diameter flue for the entire installation.
10. If you are connecting the stove to an old masonry flue, be sure to have it inspected for cracks and general condition. Resizing with a stainless steel liner may be required.
11. It is recommended that no more than two 90-degree bends be used in the stovepipe installation. More than two 90-degree bends may decrease the amount of draw, and possibly cause smoke spillage.
12. A damper is not required in this installation. Remove the damper plate in the chimney or secure it in the **OPEN** position.
13. Single wall flue pipe assemblies must not exceed 10 feet in overall length.

CHIMNEY

REFER TO CHIMNEY AND CHIMNEY CONNECTOR MANUFACTURER'S INSTRUCTIONS
WARNING: INSTALL VENT AT CLEARANCES SPECIFIED BY THE
VENT MANUFACTURER



CONTACT YOUR LOCAL BUILDING AUTHORITY FOR APPROVED METHODS OF INSTALLATION

1. This appliance requires a masonry or pre-manufactured chimney listed to UL103HT sized correctly (ULC S629 if Canada).
2. If a masonry chimney is used, it is advisable to have your chimney inspected for cracks, and check the general condition before installing your unit. **Relining may be required to reduce the flue diameter to the appropriate functional size.**
3. To help ensure a good draft, the top of the chimney should be at least 3 feet above the point of penetration through the roof, and be at least 2 feet higher than any point of the roof within 10 feet.
4. The chimney connector shall not pass through an attic, roof space, closet, concealed space, floor, ceiling, wall, or any partition of combustible construction. (Canada: Where passage through a wall or partition of combustible construction is desired, the installation shall conform with CAN/CSA-B365).
5. The minimum overall height of your chimney should be 15 feet from the floor.
6. Do not use makeshift compromises during installation.

Mobile Home Installation

Secure the heater to the floor using the two holes in the pedestal. The wood stove **MUST** be secured to the floor of the mobile home using lag bolts and the holes provided in the bottom of the unit for this purpose. Use a #8 copper wire to ground stove to frame of mobile home. If the unit is on a combustible surface, you will need to drill matching holes in the floor protection that you choose (see Floor Protection section). Do not disturb the structural integrity of the home, and be sure the unit is permanently electrically grounded to the chassis of your home. Remember that outside combustion air is mandatory, and not to install the unit in a sleeping room of the home.

Outside Air Connection

When installing this model in a mobile home or double wide it is necessary to supply the combustion air into the unit from outside the dwelling. **NOTE: THIS STOVE IS MOBILE HOME AND DOUBLE WIDE APPROVED (WITH OUTSIDE AIR HOOK-UP) FOR THE PEDESTAL MODEL ONLY – NOT FOR LEG MODELS.**

This can be done by running a thin gauge three inch (3") pipe (flex or rigid) from the air inlet pipe located on the rear of the stove through the floor or wall (measure pipe to ensure you obtain the correct size). The outside end of this pipe should be covered in some manner (i.e. screen) to keep it clear of foreign matter. Be sure to keep it above the snowdrift line and clear of leaves and other debris. If you are installing this stove in a regular dwelling this connection is not necessary, but is recommended in air-tight homes.

A kit is available from England's Stove Works, Inc. designed for connecting this unit to outside combustion air. [Part No. AC-OAK3]

OPERATION

Do not use a grate or elevate the fire. Build the wood fire directly on the bricks. When the stove is used for the first time, solvents in the paint will smoke off as the stove “cures.”

WOOD –

This heater is designed to burn natural wood only. Higher efficiency and lower emissions generally result when burning air-dried seasoned hardwood, as compared to softwood or to green or freshly-cut hardwood.

Use only dry, seasoned wood. Green wood, besides burning at only 60 percent of the fuel value of dry wood, deposits creosote on the inside of the stove and along the chimney. This can cause extreme danger of chimney fire. **To be called “seasoned,” wood must be dried for a year.** Regardless of whether the wood is green or seasoned, it should be stored in a ventilated, sheltered area to allow proper drying during the year. Wood should be stored beyond recommended clearances from combustibles.

DO NOT BURN: Treated Wood, Garbage, Solvents, Trash, Cardboard, Colored Paper or Coal.

FIRST FIRE –

- Remember to ventilate well.
- Allow the stove to cure before burning for long periods of time at high temperatures.
- Flat spots on the painted surface are normal.
- Shiny spots on the painted surface (before burning) are normal.
- Call Customer Service at (800) 245-6489 if you have any questions.

CONTROL SETTINGS for Air Inlet Control

<u>Burn Rate</u>	<u>Inlet Air Setting</u>
Low	Fully Closed
Med. Low	¼ Open
Med. High	¾ Open
High	Fully Open

BUILDING A FIRE

1. Open the air inlet control fully (**NOTE:** The control is located under the ash drawer. Pulling **out** on the control opens it).
2. Place a small amount of crumpled paper in the stove.
3. Cover the paper with a generous amount of kindling in a “teepee” shape, and a few small pieces of wood.
4. Ignite this fuel and close the door most of the way (leave it open slightly).
5. Add larger pieces of wood as the fire progresses, being careful not to overload. Do not fill the firebox beyond the firebrick area. A coal bed of (ideally) 1” to 2” should be established to achieve optimum performance.
6. This unit is designed to function most effectively when air is allowed to circulate to all areas of the firebox. A good way of achieving this is to rake a small (1” to 2” wide) “trough” in the center of the coal bed, from front to back, prior to loading the fuel.
7. Once fuel has been loaded, close the door and fully open the air inlet control, until the fire is well established (approximately 20 minutes), being careful not to over-fire.
8. Readjust the air inlet control to the desired burn rate. If excessive smoke fills the firebox, open the air inlet control slightly, until flames resume and the wood is sufficiently ignited. Basically, Closed = “Low;” ½ Way Open = “Medium;” and Fully Open = “High.”
9. **When refueling, adjust the air control to the fully open position.** When the fire brightens, open the door **VERY** slowly and carefully. This will prevent gases from igniting and causing smoke and flame spillage.
10. At this point you may add fuel, being careful not to overload.

NEVER USE GASOLINE, GASOLINE-TYPE LANTERN FUEL, KEROSENE, CHARCOAL LIGHTER FLUID, OR SIMILAR LIQUIDS TO START OR ‘FRESHEN UP’ A FIRE IN THIS HEATER. KEEP ALL SUCH LIQUIDS WELL AWAY FROM THE HEATER WHILE IT IS IN USE.

GLASS CARE

REPLACE GLASS ONLY WITH HIGH-TEMPERATURE ROBAX PYROCERAM OF THE PROPER SIZE AND THICKNESS.

The following use and safety tips should be observed:

1. Inspect the glass regularly for cracks or breaks. If you detect a crack or a break, extinguish the fire immediately, and contact your dealer or Customer Service at (800) 245-6489 for replacement (or log on to www.heatredefined.com).
2. Do not slam the door or otherwise impact the glass. When closing door, make sure that logs or other objects do not protrude and impact the glass.
3. Do not clean the glass with materials which may scratch (or otherwise damage) the glass. Scratches on the glass can develop into cracks or breaks.
4. Never attempt to clean the glass while the unit is hot. If the deposit is not very heavy, normal glass cleaners are adequate with a plain, non-abrasive scouring pad. Heavier deposits may be removed with the use of an oven cleaner.
5. NEVER put substances that can ignite explosively inside the unit, since even small explosions in confined areas can blow out the glass.
6. This unit has an airwash system, designed to reduce deposits on the glass.

GASKET REPLACEMENT

After extensive use, the sealing material which provides glass and door seal may need to be replaced if it does not sustain its resilience. Inspect the glass and door seal periodically to ensure proper seal. If the gaskets become frayed or worn, replace immediately. Contact your dealer or Customer Service at (800) 245-6489 or www.heatredefined.com for approved replacement parts.

The following steps should be followed for replacement of the glass gasket:

1. Ensure that the appliance is not in operation, and is thoroughly cooled.
2. Remove the screws and glass holders.
3. Lift glass out.
4. Remove the old gasket, and clean the glass.
5. Replace the new gasket, starting at the bottom of the glass and working along the edges. Be sure to center the gasket channel on the glass.
6. Trim the gasket to length and butt the ends together.
7. Replace the glass and holders in the door. Tighten, being sure not to over-tighten the screws.

You may order parts and options on our web site: www.heatredefined.com, or by calling (800) 516-3636 (parts orders only, call 800-245-6489 for technical questions).

The following steps should be followed for replacement of the door gasket:

1. Ensure the appliance is not in operation and is thoroughly cooled.
2. Remove the old door gasket and clean the gasket channel.
3. Using an approved high-temperature gasket cement, apply a thin coat in the bottom of the channel.
4. Starting at the hinge side of the door, work into the channel around the door unit, trim to length and butt the ends together.
5. Close the door and allow three to four hours for the cement to set before restarting any fire.

FIBER BOARD: CARE & MAINTENANCE

THIS WOOD HEATER UTILIZES NEW TECHNOLOGY, WHICH INCLUDES CERAMIC FIBER BOARD THAT IS LOCATED IN THE FIREBOX, AND RESTS ON TOP OF FOUR STAINLESS STEEL TUBES.

DO NOT REMOVE THIS CERAMIC FIBER BOARD!!!

IT IS A NECESSARY COMPONENT OF THE FIREBOX.
ALSO PLEASE NOTE: THE CERAMIC FIBER BOARD MAY BECOME LOOSE DURING INITIAL SHIPPING. BE SURE IT IS LYING FLAT, ON TOP OF THE STAINLESS STEEL TUBES, AND PUSHED ALL THE WAY TO THE BACK OF THE UNIT, WITH NO GAPS BETWEEN IT AND THE BACK WALL.

Call (800) 245-6489 if questions.

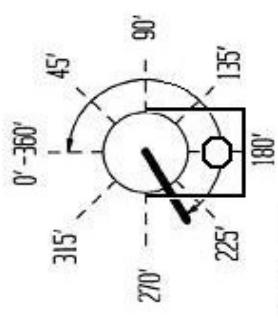
MAINTENANCE: This unit is equipped with a ceramic Fiber Board ceiling baffle (two pieces). After extensive use, the board should be removed and cleaned.

The following steps should be followed for cleaning or replacement:

1. Ensure the appliance is not in operation and is completely cooled down.
2. There is one screw in each stainless steel tube holder, located in the fire box ceiling. Remove the screws from the front and middle tube holders.
3. Shift each loose tube to the right, so that one end comes completely out of the socket. Drop the end down and pull it out by pulling it back to the left.
4. Drop the first board down and push the left corner to the top left. Bring the right corner down to the bottom right of your door opening, and pull the right side out first. Repeat for the second board piece.
5. Vacuum the boards off and blow the carbon out of the tubes, if there is any build-up.
6. Re-install the boards and tubes, reversing the same method they were removed.

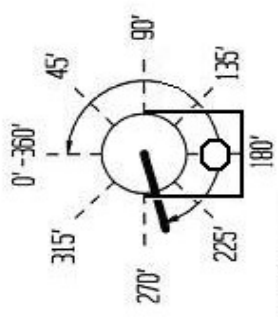
Front (Door Side)
of Unit
←

' = "degrees"



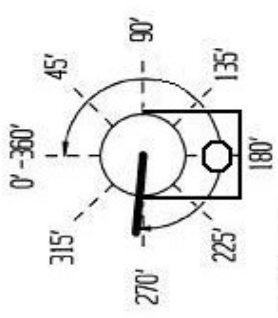
1st TUBE
HOLES FACE
.1875 , 3/16
240 DEGREES

AC-30BT1
Front Burner
Tube



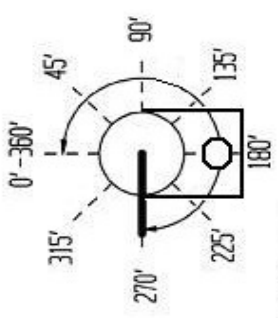
2nd TUBE
HOLES FACE
.1875 , 3/16
255 DEGREES

AC-30BT2
2nd Tube



3rd TUBE
HOLES FACE
.1625 , 5/32
275 DEGREES

AC-30BT3
3rd Tube



4th TUBE
HOLES FACE
.1625 , 5/32
270 DEGREES

AC-30BT4
Rear Burner
Tube

(SIDE VIEW OF TUBES)

Placement of Stainless Steel Burner Tubes for all 30-NC, 50-SNC30 and 50-TNC30 stove models.

CREOSOTE

When wood is burned slowly, it produces tar and other organic vapors. These combine with moisture to form creosote. Creosote vapors condense in the relatively cool chimney flue of a slow-burning fire – as a result, creosote residue accumulates on the lining of the flue. If ignited, this creosote makes an extremely hot fire. The chimney should be inspected on a regular basis during the heating season, to determine if a creosote build-up has accumulated. If it has, the creosote should be removed to reduce the risk of chimney fire.

WARNING: THINGS TO REMEMBER IN CASE OF A CHIMNEY FIRE:

- 1. CLOSE DRAFT CONTROL 2. CALL THE FIRE DEPARTMENT**

WAYS TO PREVENT AND KEEP UNIT FREE OF CREOSOTE

1. Burn with the air control fully open for several minutes at numerous intervals throughout each day during the heating season, being careful not to over-fire the unit. This should remove the slight film of creosote that accumulates during low burn periods.
2. Burn the stove with the draft control fully open for approximately 20-30 minutes every time you apply fresh wood. This allows wood to achieve the charcoal stage faster, and burns wood vapors which might otherwise be deposited within the system.
3. **BURN ONLY SEASONED WOOD.** Avoid burning wet or green wood. Seasoned wood is wood that has been dried for at least one year.
4. A small, hot fire is preferable to a large, smoldering one that can deposit creosote within the system.
5. Establish a routine for fuel, wood burner and firing technique. Check daily for creosote build-up until experience shows you how often you need to clean to be safe. Keep in mind that the hotter the fire, the less creosote is deposited, and weekly cleanings may be necessary in milder weather, although monthly cleanings may be enough in the coldest months. Contact your local authority for information on how to handle a chimney fire, and have a clearly-understood plan to handle a chimney fire.

ASH DISPOSAL

Regularly inspect the ash build-up in your unit and remove as necessary. Ashes can be removed from the unit by shoveling them off the firebrick. This unit has an ash drawer plate (see Illustration 4) that can be removed from the stove; once removed, the ashes can be raked through the opening and into the ash pan.

Caution: The ash drawer plate can be extremely hot!! Never remove red-hot ashes from the appliance; allow ashes to cool before dropping into the ash pan. Ashes should be placed in a metal container with an airtight lid. The ashes should be placed on a noncombustible surface and completely away from any combustible materials. The ashes should remain in the airtight container until they have completely cooled.

IMPORTANT: HELPFUL HINTS AND TIPS WORTH REVIEWING

1. What is the correct way to start a fire?

- You will need small pieces of dry wood (kindling) and paper. Use only newspaper or paper that has not been coated or that has had materials glued or applied to it. Never use coated or colored paper (such as advertising flyers).
- Open the door of the wood stove.
- Crumple several pieces of paper, and place them in the center of the firebox, directly on the firebricks of the stove. Never use a grate to elevate the fire.
- Place small pieces of dry wood (kindling) over the paper in the form of a “teepee.” This allows for good air circulation, which is important for good combustion.
- Light the crumpled paper in two or three different locations. NOTE: It is important to heat the air in the stovepipe for draft to begin.
- Fully open the air control of the wood stove, and close the door until it is just *slightly* open, allowing for air to be introduced into the firebox. Never leave the door fully open, as sparks from the kindling may occur, causing injury. As the fire begins to burn the kindling, some additional kindling may be needed to sustain the fire. **DO NOT** add more paper after the fire has started.
- Once the kindling has begun to burn, start adding some small pieces of seasoned, dry firewood. NOTE: Adding large pieces at the early stages will only serve to smother the fire. Continue adding small pieces of seasoned, dry firewood, keeping the door slightly open until each piece starts to ignite. Remember to always open the door slowly when placing wood into the fire.
- Once the wood has started to ignite and the smoke has reduced, close the stove door fully. (Reduction of smoke is a good indication that the draft in the chimney has begun, and good combustion is now possible.) Larger pieces of seasoned, dry firewood can now be added when there is sufficient space in the firebox. Adjust the air control setting to your desired setting.
- NOTE: The lower the air control setting, the longer the burn time of the firewood.

2. What type of wood is best to use as firewood?

- Dry, seasoned hardwood should be used. Avoid green, unseasoned wood. Green wood, besides burning at only 60% of the fuel value of dry seasoned wood, will deposit creosote on the inside of the stove and along to inside of the chimney.

3. What does dry, seasoned wood mean, and what is considered to be hardwood?

- Wood that has been dried for a period of one year in a well-ventilated and sheltered area is considered dry, seasoned wood. Hardwoods generally come from slow-growth trees, such as Oak or Fir. Softwoods generally come from fast-growth trees, such as Pine or Spruce.

4. Will following the steps listed above result in a perfect fire every time?

- A good answer would be “most of the time.” There are many variables that can affect your rate of success when starting a fire, and experience will teach you how to deal with the variables. This section of the manual will cover some of the variables that can affect a fire, and time and patience will contribute to your ability to start a good fire consistently.

5. Why can't I get the fire lit?

- Damp or wet wood and poor draft are the main reasons for poor results when starting a fire. Remember to always use dry, seasoned wood for your fire. Even wood that has been dried (seasoned) for a long period of time will be difficult to light if it has gotten wet.

- 6. Why is there always a large quantity of thick black smoke in the firebox?**
- A large quantity of thick black smoke in the firebox is a possible indication that you have poor draft.
- 7. Is it normal for soot to cover the glass at the beginning of a fire?**
- This stove has been built with an air wash system that will help keep the glass clear when the firebox has reached a good operating temperature, and also has a good draft. Cold firebox temperature and poor draft cause soot to form on the glass. Once the firebox temperature and the draft increase, the soot should burn off.
- 8. What is “draft?”**
- Draft is the ability of the chimney to exhaust draw by-products produced during the normal process of combustion.
- 9. What can cause a poor draft?**
- There are several common factors that can contribute to poor draft:
 - A. Atmospheric Pressure and Air Supply
 - B. Atmospheric pressure affecting the draft from a chimney can be outside the home, inside the home, or both. Outside the home, a high-pressure (clear and cool) day generally creates a better draft in the chimney than a low-pressure (overcast and damp) day. Inside the home, household appliances, such as forced-air furnaces or clothes dryers, compete for air, often resulting in inadequate amounts of air available to fuel a fire and creating a condition known as negative pressure. Extreme conditions of negative pressure can cause the combustion by-products to be drawn from the chimney and into the house. This condition is commonly known as “down drafting.”
 - C. There are several factors that can affect the amount of air available in the home. Increased amounts of insulation, vinyl windows, extra caulking in various places and door seals can all keep heat in, but may also make a home too airtight. If you are in doubt as to whether or not there is sufficient air in your home for your stove, refrain from using those appliances known to consume air when possible, or open a door or a window to allow some air to enter the home.
 - D. Environmental Conditions
 - E. High trees, a low-lying house location (such as in a valley), tall buildings or structures surrounding your house and even windy conditions can cause poor draft or down drafting.
 - F. Cold Chimney Temperature
 - G. Avoid cold chimney temperatures by burning a hot fire for the first fifteen to forty minutes after building a fire, being careful not to over-fire. If any part of the chimney or parts of the stove start to glow, you are over-firing the stove. Where possible, install a temperature gauge on the chimney so temperature drops can be seen.
 - H. Chimney Installation and Maintenance
 - I. Avoid using too many elbows or long horizontal runs. If in doubt, contact a chimney expert and/or chimney manufacturer for help. Clean your chimney, rain cap(s) and especially the spark arrester regularly, in order to prevent creosote build-up – which can significantly reduce chimney draw and possibly create a chimney fire.
- 10. Should I close or open the air control fully when shutting down the stove?**
- When shutting down the stove, fully open the air control. This will allow chimney temperatures to remain as high as possible for as long as possible. Remember, cold chimney temperatures create creosote.

NOTE: This section is intended as an aid and does not supersede any local, state or like requirements. Check with officials or authorities having jurisdiction in your area.

PARTS, ACCESSORIES AND OPTIONS LIST

(Options and trim (*i.e. brass and nickel*) interchange for variety. Gold door and legs may also be ordered to replace existing door and pedestal or regular cast legs.)

REPLACEMENT PARTS

AC-G30	DOOR GLASS KIT WITH GASKET
AC-GGK	DOOR GLASS GASKET KIT (gasket only, no glass)
AC-DGKNC	DOOR GASKET KIT (High-Density fiberglass rope gasket)
AC-SB	9" X 4" X 1 ¼" FIREBRICK (see Brick Layout diagram)
AC-SB2	4" X 2" X 1 ¼" FIREBRICK (see Brick Layout diagram)
AC-SB2.5	4" X 2 ½" X 1 ¼" FIREBRICK (see Brick Layout diagram)
AC-30BT1	FRONT BURNER TUBE
AC-30BT2	SECOND BURNER TUBE (from Front)
AC-30BT3	THIRD BURNER TUBE (from Front)
AC-30BT4	REAR BURNER TUBE
AC-30CFB	CERAMIC FIBER BOARD (2)
AC-SH	BRASS DOOR SPRING HANDLE
AC-SHN	NICKEL DOOR SPRING HANDLE
AC-SH4	BRASS AIR CONTROL SPRING HANDLE
AC-SH4N	NICKEL AIR CONTROL SPRING HANDLE
AC-03	BRASS ASH PAN KNOB
AC-03BN	NICKEL ASH PAN KNOB
AC-MCSP	HI-TEMPERATURE CHARCOAL PAINT
AC-MBSP	HI-TEMPERATURE BLACK PAINT

OPTIONS

AC-30	ROOM AIR BLOWER
AC-30SHSB	SIDE HEAT SHIELD SYSTEM (BLACK)
AC-115	BRASS LIP TRIM
AC-115BN	NICKEL LIP TRIM
CA-12G	GOLD PLATED LEG
CA-30G	GOLD PLATED DOOR
AC-1677	FLUE COLLAR ADAPTER

All parts can be ordered from your local dealer or from the factory at 1-800-516-3636.

NOTE: Parts and accessories are also available on our web site:

www.heatredefined.com

If you have any questions or problems contact the Customer Service Department.

CUSTOMER SERVICE DEPARTMENT

P.O. BOX 206

MONROE, VA. 24574

Technical Questions/Customer Service: (800-245-6489) (Fax: 434-929-4810)

Parts orders only: (800-516-3636)

Email: service@englanderstoves.com

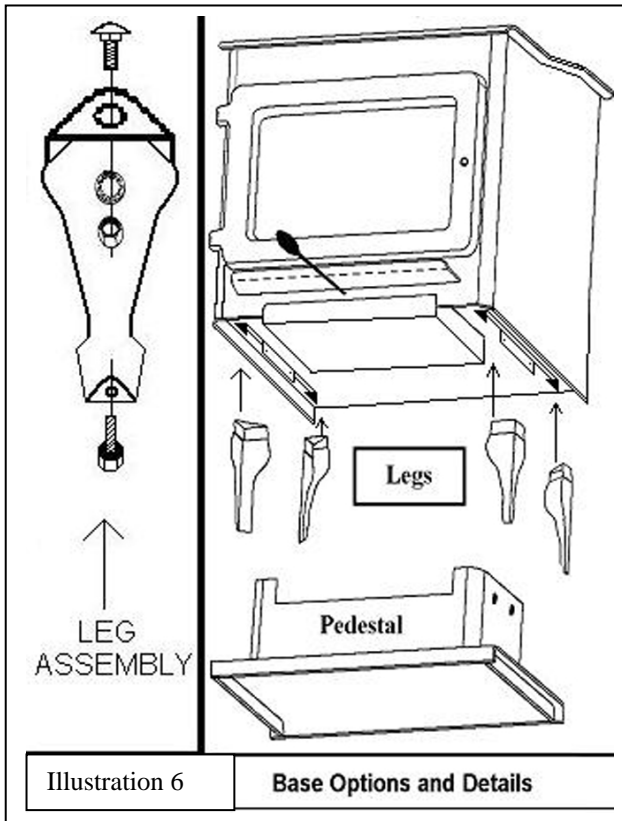


Illustration 6 **Base Options and Details**

DIRECTIONS FOR INSTALLATION OF LEGS OR PEDESTAL:

(Stove must be cooled and all ashes cleaned out)

- * Remove bricks, disconnect flue, and turn stove on its back.
- * If you are replacing existing legs or pedestal, disconnect the existing legs or pedestal.

To install legs:

1. Each leg will fit into a pre-made slot on each corner of the bottom of the unit.
2. A 3/8" x 1-1/2" Carriage Bolt and matching nut is supplied with each leg. Fit a leg into a slot, and match the hole on the leg with the hole in the slot. Attach the legs one at a time, using the supplied bolts and nuts. Tighten securely.

To install pedestal:

1. Place spacers (provided) between the slots on the unit and the pedestal base (one spacer will fit on each side of the pedestal). Match the four holes in the pedestal (2 on each side) with the holes in the spacers and slots on the unit.
2. Use the four 3/8" x 1-1/2" Carriage Bolts and nuts (provided) to attach the pedestal to the base of the stove. Tighten securely.

- * After attaching the legs or pedestal, turn unit upright, reconnect flue and replace bricks according to manual.

NOTES:



LISTED SOLID FUEL ROOM HEATER, ALSO FOR USE IN MOBILE HOMES

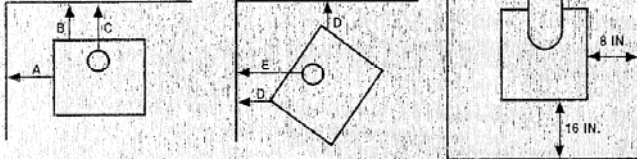
TESTED TO UL 1482

WHI - _____

- MODEL: 30-NCP 30-NCL 30-NCG
 50-SNC30P 50-SNC30L 50-SNC30G
 50-TNC30P 50-TNC30L 50-TNC30G

PREVENT HOUSE FIRES - INSTALL AND USE ONLY IN ACCORDANCE WITH THE OWNER'S MANUAL PROVIDED WITH THIS APPLIANCE. CONTACT LOCAL BUILDING OR FIRE OFFICIALS ABOUT RESTRICTIONS AND INSTALLATION INSPECTIONS IN YOUR AREA.

INSTALLATION REQUIREMENTS - DO NOT CONNECT THIS UNIT TO A CHIMNEY FLUE SERVING ANOTHER APPLIANCE. USE A RESIDENTIAL TYPE MASONRY OR LISTED TYPE HT FACTORY-BUILT CHIMNEY. USE 24 MSG BLACK CHIMNEY CONNECTOR OR LISTED DOUBLE WALL CHIMNEY CONNECTOR. REFER TO LOCAL CODES AND THE CHIMNEY MANUFACTURER'S INSTRUCTIONS FOR PRECAUTIONS REQUIRED FOR PASSING A CHIMNEY THROUGH A COMBUSTIBLE WALL OR CEILING. PLACE ON NON-COMBUSTIBLE FLOOR PROTECTION WITH A MINIMUM R-VALUE OF 1.5 WHICH EXTENDS 16 INCHES TO THE FRONT AND 8 INCHES TO EACH SIDE OF THE FUEL OPENING. DO NOT OBSTRUCT THE SPACE BENEATH THE HEATER. ADHERE TO THE FOLLOWING MINIMUM CLEARANCES TO COMBUSTIBLES WHEN USING A SINGLE WALL CHIMNEY CONNECTOR. SEE OWNER'S MANUAL FOR ADDITIONAL CLEARANCE INFORMATION.



A = 20 INCHES B = 14 INCHES C = 16 INCHES
D = 15 INCHES E = 20.5 INCHES
ALCOVE MINIMUM CEILING CLEARANCE = 84 INCHES

U.S. ENVIRONMENTAL PROTECTION AGENCY CERTIFIED UNDER 40 CFR 60.533(H) WITH JULY 1990 PARTICULATE EMISSION STANDARDS.

OPERATION REQUIREMENTS - FOR USE WITH SOLID WOOD FUEL ONLY. DO NOT OVERFIRE. IF HEATER OR CHIMNEY CONNECTOR GLOWS YOU ARE OVERFIRING. INSPECT AND CLEAN CHIMNEY FREQUENTLY. UNDER CERTAIN CONDITIONS OF USE CREOSOTE BUILDUP MAY OCCUR RAPIDLY. DO NOT USE GRATE OR ELEVATE FIRE. BURN WOOD FIRE DIRECTLY ON HEARTH. RISK OF SMOKE AND FLAME SPILLAGE. OPERATE ONLY WITH DOOR FULLY CLOSED.



CAUTION:

HOT WHILE IN OPERATION. DO NOT TOUCH. KEEP CHILDREN, CLOTHING, AND FURNITURE AWAY. CONTACT MAY CAUSE SKIN BURNS. SEE NAMEPLATE AND INSTRUCTIONS.

MANUFACTURED BY: ENGLAND'S STOVE WORKS INC. MONROE, VA 24574

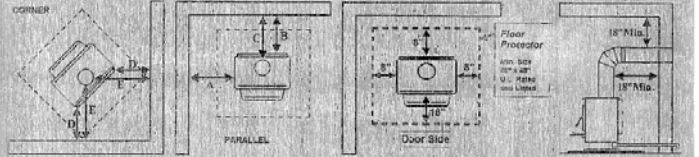
USA



MODEL: 30-NC 50-SNC30 50-TNC30
LISTED SOLID FUEL ROOM HEATER
ALSO FOR USE IN MOBILE HOMES (PEDESTAL MODEL ONLY)
TESTED TO UL 1482, ULC S627

PREVENT HOUSE FIRES - INSTALL AND USE ONLY IN ACCORDANCE WITH THE OWNER'S MANUAL PROVIDED WITH THIS APPLIANCE. CONTACT LOCAL BUILDING OR FIRE OFFICIALS ABOUT RESTRICTIONS AND INSTALLATION INSPECTIONS IN YOUR AREA.

INSTALLATION REQUIREMENTS - DO NOT CONNECT THIS UNIT TO A CHIMNEY FLUE SERVING ANOTHER APPLIANCE. USE A RESIDENTIAL TYPE MASONRY OR LISTED TYPE HT FACTORY-BUILT CHIMNEY. USE 24 MSG BLACK OR BLUED CHIMNEY CONNECTOR OR LISTED DOUBLE WALL CHIMNEY CONNECTOR. REFER TO LOCAL CODES AND THE CHIMNEY MANUFACTURER'S INSTRUCTIONS FOR PRECAUTIONS REQUIRED FOR PASSING A CHIMNEY THROUGH A COMBUSTIBLE WALL OR CEILING. PLACE ON NON-COMBUSTIBLE FLOOR PROTECTION WITH A MINIMUM R-VALUE OF 1.5 WHICH EXTENDS 16 INCHES (406 MM) TO THE FRONT AND 8 INCHES (203 MM) TO EACH SIDE OF THE FUEL OPENING. THE ATTACHABLE LEGS MUST BE INSTALLED ON THE APPLIANCE. DO NOT OBSTRUCT THE SPACE BENEATH THE HEATER. ADHERE TO THE FOLLOWING MINIMUM CLEARANCES TO COMBUSTIBLES WHEN USING A SINGLE WALL CHIMNEY CONNECTOR. SEE OWNER'S MANUAL FOR ADDITIONAL INFORMATION.



CLEARANCE TO COMBUSTIBLES (SEE ILLUSTRATION ABOVE)

APPLIANCE CLEARANCES	UNPROTECTED SURFACES			PROTECTED SURFACES (NFPA-211)		
	SIDE (A)	REAR (B)	CORNER (D)	SIDE (A)	REAR (B)	CORNER (D)
NO STOVE HEAT SHIELDS	20 IN.	14 IN.	15 IN.	12 IN.	12 IN.	12 IN.
SIDE AND REAR SHIELDS, SINGLE WALL CHIMNEY CONNECTOR	21 IN.	8 IN.	14 IN.	12 IN.	8 IN.	12 IN.
SIDE AND REAR SHIELDS, DOUBLE WALL CONNECTOR	20 IN.	5 IN.	14 IN.	12 IN.	5 IN.	12 IN.

NOTE: FLUE CONNECTOR TO BACK WALL (C):
1. SINGLE WALL CONNECTOR WITH REAR SHIELD = 16"
2. SINGLE WALL CONNECTOR WITH REAR & SIDE SHIELDS = 16"
3. DOUBLE WALL CONNECTOR WITH REAR & SIDE SHIELDS = 7"

NOTE: FLUE CONNECTOR TO CORNER (E):
1. SINGLE WALL CONNECTOR WITH REAR SHIELD = 20.5"
2. SINGLE WALL CONNECTOR WITH REAR & SIDE SHIELDS = 19.5"

U.S. ENVIRONMENTAL PROTECTION AGENCY CERTIFIED UNDER 40 CFR 60.533(H) WITH JULY 1990 PARTICULATE EMISSION STANDARDS.

OPERATION REQUIREMENTS - FOR USE WITH SOLID WOOD FUEL ONLY. DO NOT OVER FIRE. IF HEATER OR CHIMNEY CONNECTOR GLOWS YOU ARE OVERFIRING. INSPECT AND CLEAN CHIMNEY FREQUENTLY. UNDER CERTAIN CONDITIONS OF USE CREOSOTE BUILDUP MAY OCCUR RAPIDLY. DO NOT USE GRATE OR ELEVATE FIRE. BURN WOOD FIRE DIRECTLY ON HEARTH. RISK OF SMOKE AND FLAME SPILLAGE. OPERATE ONLY WITH FUEL AND ASH DOORS FULLY CLOSED.



CAUTION:

HOT WHILE IN OPERATION. DO NOT TOUCH. KEEP CHILDREN, CLOTHING, AND FURNITURE AWAY. CONTACT MAY CAUSE SKIN BURNS. SEE NAMEPLATE AND INSTRUCTIONS.

MANUFACTURED BY: ENGLAND'S STOVE WORKS, INC. MONROE, VA 24574

Canada

You may write your unit's Manufacture Date and Serial Number in the space beside this sample tag, for future reference. This sample tag also shows the safety info. such as UL/ULC testing standard, etc. for your local officials, or anyone else who may need reference information.

Have this information on hand if you phone the factory or your dealer regarding this product.

Retain for your files:

Model Number _____

Date of Purchase _____

Date of Manufacture _____ Serial # _____

LIMITED 5 YEAR WARRANTY
FROM THE DATE OF PURCHASE TO THE ORIGINAL OWNER

The manufacturer extends the following warranties:

Five Year Period:

1. Carbon steel and welded seams in the firebox are covered for 5 years against splitting.
2. The cast iron door, hasp and hinges are covered for 5 years against cracking.

One Year Period:

3. Component parts such as stainless steel tubes and brick retainers are covered for 1 year against cracking, breakage and welded seams from separating.
4. Ceramic fiber board baffle, electrical components, accessory items, glass and the painted surface are covered for 1 year from the date of purchase.

Conditions and Exclusions:

Damage from over-firing will void your warranty.

This warranty does not apply if damage occurs because of an accident, improper handling, improper installation, improper operation, abuse, or unauthorized repair made or attempted to be made.

The manufacturer is not liable for indirect, incidental, or consequential damages in connection with the product including any cost or expense providing substitute equipment or service during periods of malfunction or nonuse.

All liability for any consequential damage for breach of any written or implied warranty is disclaimed and excluded. Some states do not allow the exclusion or limitations of incidental or consequential damages, so the above may not apply to you.

Procedure:

Purchaser must give notice of claim of defect within the warranty period and pay transportation to and from a service center designated by the factory. The dealer from which the unit was purchased or the factory, at our option, will perform the warranty service.

Other Rights:

This warranty gives you specific legal rights, and you may also have other rights, which may vary from state to state.

NOTE: THIS WARRANTY IS NULL AND VOID IF YOU DO NOT RETURN THE ATTACHED WARRANTY REGISTRATION WITH A COPY OF THE SALES RECEIPT WITHIN 30 DAYS FROM THE DATE OF PURCHASE.

WARRANTY IS NOT TRANSFERABLE.

WARRANTY REGISTRATION for England's Stove Works

Purchased by (Name) _____

Address _____

City _____ State _____ Zip _____

Telephone _____

Email Address _____

DEALER INFORMATION

Purchased From (Dealer) _____

Address _____

City _____ State _____ Zip _____

UNIT INFORMATION

(Please be sure to refer to sticker on back of manual or box to complete this section)

Model Number _____ Purchase Date _____

Purchase Price _____

Serial Number _____ Mfg. Date _____

How did you first hear about our product? (please check one)

Word of Mouth Burn Trailer Demonstration Internet

Other: _____

Where did you receive information about our product? (please check one)

Rec'd. info. via phone Dealer (Name of dealer): _____

Internet Other: _____

IMPORTANT NOTICE

**THIS REGISTRATION INFORMATION MUST BE ON FILE FOR THIS WARRANTY TO BE VALID.
PLEASE MAIL THIS INFORMATION WITHIN THIRTY (30) DAYS FROM THE DATE OF PURCHASE.**

Mail To:

England's Stove Works, Inc.
Customer Service Department
P.O. Box 206
Monroe, VA 24574

Or, Fax To:

(434) 929-4810 – 24 hours a day

Or, now available – Go online to complete your Warranty Registration!

Visit www.heatredefined.com if you prefer to register online.

WOOD - Meets the 2015 U.S. Environmental Protection Agency's crib wood emission limits for wood heaters sold after May 15, 2015

PLEASE NOTE:

EPA INFORMATION

The following additions to your owner's manual will enable you to achieve optimal emissions performance from your stove. Important safety tips are also included.

- *Proper Installation* – Please refer to the Installation section of your owner's manual and follow the guidelines listed therein for safety and for optimal emissions performance.

Additional information:

Venting Introduction:

Draft: Draft is the force which moves air from the appliance up through the chimney. The amount of draft in your chimney depends on the length of the chimney, local geography, nearby obstructions and other factors. Too much draft may cause excessive temperatures in the appliance and may damage the catalytic combustor. Inadequate draft may cause backpuffing into the room and 'plugging' of the chimney or the catalyst.

Inadequate draft will cause the appliance to leak smoke into the room through appliance and chimney connector joints.

An uncontrollable burn or excessive temperature indicates excessive draft.

Please be mindful of installation location: Inversion and other air quality issues can arise in valleys or if unit is installed close to neighboring homes.

This wood stove operates on a natural draft system, in which the chimney system pulls air through the stove. This unit must be installed in accordance with the following detailed descriptions of venting techniques; not installing the stove in accordance with the details listed here can result in poor stove performance, property damage, bodily injury or death. Avoid make-shift compromises when installing the venting system. England's Stove Works is not responsible for any damage incurred due to a poor or unsafe installation.

Be certain that all aspects of the venting system are installed to the venting manufacturer's instructions, particularly the required clearances to combustibles. Also, be certain to use an attic radiation shield to prevent insulation from contacting a chimney which passes through an attic.

The chimney system is the "engine" which drives a wood stove, so it is imperative for proper unit function that the venting system be installed exactly as described in the following section.

If questions arise pertaining to the safe installation of the stove, our Technical Support line (800-245-6489) is available. Contact your local code official to be certain your installation meets local and national fire codes, and if you're uncertain about how to safely install the stove, we strongly recommend contacting a local NFI certified installer to perform the installation.

Venting Guidelines:

ALWAYS install vent pipe in strict adherence to the instructions and clearances included with your venting system.

- **DO NOT** connect this wood stove to a chimney flue which also serves another appliance.
- **DO NOT** install a flue pipe damper or any other restrictive device in the exhaust venting system of this unit.
- **USE** an approved wall thimble when passing through a wall and a ceiling support/fire stop when passing through a ceiling.
- **INSTALL** three sheet metal screws at every chimney connector joint.
- **AVOID** excessive horizontal runs and elbows, as both will reduce the draft of the venting system and will result in poor stove performance.
- **INSPECT** your venting system often, to be certain it is clear of creosote, fly-ash and other restrictions.
- **CLEAN** the venting system as detailed in the maintenance section of this manual.
- **ADHERE** to the 10-3-2 rule regarding chimney terminations.
- **INSTALL** single wall chimney connector with the male end **down** to prevent creosote leakage. Follow double wall chimney connector manufacturer's instructions regarding proper pipe installation.

WARNING: Venting system surfaces get HOT, and can cause burns if touched. Noncombustible shielding or guards may be required

The 10-3-2 Rule: The chimney system must terminate 3.0 ft above the point where it's centerline passes through the roof AND the chimney must terminate 2.0 ft. above part of the dwelling within a 10 ft. radius of the chimney.

- *Operation and Maintenance* – Please refer to the 'Operation' (Operating Instructions) and Maintenance (including Ash Removal/Disposal) sections of your owner's manual and follow the guidelines listed therein for safety *and* for optimal emissions performance.

Additional Information:

Following the instructions in your owner's manual for Building a Fire will ensure a proper fire, as well as helping minimize visible emissions.

More:

- *Fuel loading and re-loading:* Practical Tips for Building a Fire – See your owner's manual for information on loading (and re-loading) your fuel, as well as for fire-starting procedures (i.e. 'Building a Fire').
- *Top-Down Fires:* The US EPA recognizes 'the effectiveness of the top-down approach for starting fires.' A good tutorial for this approach may be found at <http://woodheat.org/top-down-steps.html> . When building top-down fires, be sure to follow the instructions found in your owner's manual and contact our Technical Support if you have any questions.
- *Fuel Selection:* Once your wood-burning appliance is properly installed, building an effective fire requires good firewood (using the right wood in the right amount) and good fire building practices. The following practical steps will help you obtain the best efficiency from your wood stove or fireplace.

- Season wood outdoors through the summer for at least 6 months before burning it. Properly seasoned wood is darker, has cracks in the end grain, and sounds hollow when smacked against another piece of wood.
- Store wood outdoors, stacked neatly off the ground with the top covered.
- Burn only dry, well-seasoned wood that has been split properly.
- Start fires with newspaper and dry kindling as discussed earlier in the manual.
- Burn hot fires.
- To maintain proper airflow, regularly remove ashes from your wood-burning appliance into a metal container with a cover and store outdoors.

Moisture Meter Information

- Firewood is ready at 10-25% moisture content.
- Newly-cut logs can have a moisture content (MC) of 80% or more, depending on species. Since wood shrinks, and can also split, twist or otherwise change shape as it dries, most wood is dried before being used. Air drying, or 'seasoning,' is the most common method used for cord wood. In most parts of the United States, the minimum moisture content that can be generally obtained in air drying is about 12 to 15 percent. Most air-dried material is usually closer to 20 percent moisture content when used
- To test your firewood, simply push the pins into the wood and wait for a reading. Remember, **don't just stick the meter into the ends of your firewood**. To get the most accurate reading, split the wood and test the center. The center of the log will contain the most moisture.

How Far Should I Drive Non-Insulated Pins into Wood?

- To full depth if possible. However, at moisture levels below 10%, it is usually sufficient to make good, positive contact with the wood. At higher levels of moisture and especially if you have a steep gradient, full penetration is a must.

- **WHAT FUELS NOT TO USE:**

CAUTION

- **NEVER USE GASOLINE, GASOLINE-TYPE LANTERN FUEL, KEROSENE, CHARCOAL LIGHTER FLUID, OR SIMILAR LIQUIDS TO START OR “FRESHEN UP” A FIRE IN THIS HEATER. KEEP ALL SUCH LIQUIDS WELL AWAY FROM THE HEATER WHILE IN USE. ADDITIONALLY, NEVER APPLY FIRE-STARTER TO ANY HOT SURFACE OR EMBERS IN THE STOVE. DO NOT USE CHEMICALS OR FLUIDS**
 - **TO START THE FIRE.**
 - **DO NOT BURN FLAMMABLE FLUIDS SUCH AS GASOLINE, NAPHTHA OR ENGINE OIL.**
- **DO NOT BURN GARBAGE; LAWN CLIPPINGS OR YARD WASTE; MATERIALS CONTAINING RUBBER, INCLUDING TIRES; MATERIALS CONTAINING PLASTIC; WASTE PETROLEUM PRODUCTS, PAINT OR PAINT THINNERS, OR ASPHALT PRODUCTS; MATERIALS CONTAINING ASBESTOS; CONSTRUCTION OR DEMOLITION DEBRIS; RAILROAD TIES OR PRESSURE-TREATED WOOD; MANURE OR ANIMAL REMAINS; SALT WATER DRIFTWOOD OR OTHER PREVIOUSLY SALT WATER SATURATED MATERIALS; UNSEASONED WOOD; PAPER PRODUCTS, CARDBOARD, PLYWOOD OR PARTICLEBOARD. THE PROHIBITION AGAINST BURNING THESE MATERIALS DOES NOT PROHIBIT THE USE OF FIRESTARTERS MADE FROM PAPER, CARDBOARD, SAWDUST, WAX AND SIMILAR SUBSTANCES FOR THE PURPOSE OF STARTING A FIRE IN AN AFFECTED WOOD HEATER. BURNING THESE MATERIALS MAY RESULT IN RELEASE OF TOXIC FUMES OR RENDER THE HEATER INEFFECTIVE AND CAUSE SMOKE.**

- **Safe Wood-burning Practices**

Once your wood-burning appliance is properly installed, follow these guidelines for safe operation:

- Keep all flammable household items—drapes, furniture, newspapers, and books—far away from the appliance.
- Start fires only with newspaper, dry kindling and all natural or organic fire starters. Never start a fire with gasoline, kerosene, or charcoal starter.
- Do not burn wet or green (unseasoned) logs.
- Do not use logs made from wax and sawdust in your wood stove – they are made for open hearth fireplaces. If you use manufactured logs, choose those made from 100 percent compressed sawdust.
- Build hot fires. For most appliances, a smoldering fire is not a safe or efficient fire.
- Keep the doors of your wood-burning appliance closed unless loading or stoking the live fire. Harmful chemicals, like carbon monoxide, can be released into your home.
- Regularly remove ashes from your wood-burning appliance into a metal container with a cover. Store the container of ashes outdoors on a cement or brick slab (not on a wood deck or near wood). See ash removal instructions in your owner’s manual.
- Keep a fire extinguisher handy.
- Remember to check your local air quality forecast before you burn.

- *Air Controls:* SEE YOUR OWNER’S MANUAL for information on the Proper Use of Air Controls (in the Operation section).
- *ASH REMOVAL* – Follow your Owner’s manual’s instructions regarding removal and disposal of ashes.
- *REPLACEMENT of parts that are critical to emissions performance* – Follow your Owner’s manual’s instructions regarding replacement of gaskets and other parts that are critical to emissions performance.

Remember: “This wood heater needs periodic inspection and repair for proper operation. It is against federal regulations to operate this wood heater in a manner inconsistent with operating instructions in this manual.”

More: Burner Tubes – To replace a tube, first be sure that you order the correct tube you need to replace.

Then using a 5/16” socket or open end wrench, remove the screw located on the left side of the tube. Be sure to keep the screw. Push the tube to the right then remove the tube (pulling the tube back to the left after that side has been removed from the hole). To replace, reverse the above procedure...make sure to install the tubes in the correct order. (Front to Back)

- **Smoke Detectors**

England’s Stove Works, Inc. highly recommends the use of smoke detectors in every room of the house. However, locating a smoke detector directly above this unit can result in nuisance alarms.

CAUTION

This unit is meant to operate only with door closed. Smoke spillage and an inefficient, lazy burn will result from attempting to operate the stove with the door open.

Additionally, using prohibited fuels can create an unsafe situation and can also generate excess carbon monoxide. Carbon monoxide is an odorless, colorless gas which can be deadly.

The use of a carbon monoxide detector is strongly recommended.

- *Compliance:* “This non-catalytic wood heater meets the 2015 U.S. Environmental Protection Agency’s crib wood emission limits for wood heaters sold after May 15, 2015.”
- *Tamper Warning:* “This wood heater has a manufacturer-set minimum low burn rate that must not be altered. It is against federal regulations to alter this setting or otherwise operate this wood heater in a manner inconsistent with operating instructions in this manual.”
- *Warranty:* See your Owner’s manual for a Warranty Registration instruction page, as well as instructions for warranty procedures. For parts, warranty replacement procedures may be found at our parts store site: www.store.heatredefined.com

MANUEL D'INSTALLATION & DE FONCTIONNEMENT

NUMÉROS DE MODÈLES: 30-NCP 50-SNC30P 50-TNC30P
30-NCL 50-SNC30L 50-TNC30L
30-NCG 50-SNC30G 50-TNC30G

*Merci d'avoir acheté de produit qui fait partie d'une excellente gamme d'équipements de chauffage.
Nous vous souhaitons de nombreuses années de confort en sécurité avec votre nouvel appareil de chauffage.*

Conservez ces instructions.

IMPORTANT : EN CAS DE PROBLÈME AVEC CET APPAREIL, NE LE RAPPORTEZ PAS AU CONCESSIONNAIRE. COMMUNIQUEZ AVEC LE SERVICE CLIENTÈLE AU 1-800-245-6489.

Questions ? Besoin de pièces ou d'options ? www.englishstoves.com

Veillez noter les mises en garde ci-dessous :

England's Stove Works préconise fortement l'emploi de détecteurs de fumée et de détecteurs de monoxyde de carbone avec tous les produits à foyer, y compris celui-ci. Respectez toutes les instructions du fabricant lors de l'emploi de détecteurs de fumée ou de monoxyde de carbone.

MISE EN GARDE : Ce poêle doit obligatoirement être installé conformément à la Norme de maisons fabriquées et de sécurité (HUD), CFR 3280, Part 24 et doit obligatoirement respecter les codes locaux du bâtiment et de prévention des incendies. Le non-respect de ces instructions risque d'entraîner des dommages aux biens, des blessures corporelles ou même la mort. Tenez les enfants, les meubles, les appareils et tous les produits combustibles à l'écart des appareils de chauffage.



REMARQUE : CE POÊLE EST AGRÉÉ POUR LES MAISONS MOBILES SIMPLES ET DOUBLES (AVEC RACCORDEMENT À L'AIR EXTÉRIEUR) UNIQUEMENT POUR LE MODÈLE AVEC PIÉDESTAL – PAS POUR LES MODÈLES À PIEDS. NE PAS INSTALLER DANS UNE CHAMBRE OÙ L'ON DORT. L'INTÉGRITÉ STRUCTURALE DU SOL, DES MURS ET DU PLAFOND/TOIT DE LA MAISON MOBILE DOIT OBLIGATOIREMENT ÊTRE MAINTENUE.

MISE EN GARDE : Cet appareil doit obligatoirement être installé conformément aux présentes instructions et doit obligatoirement respecter les codes locaux du bâtiment et de prévention des incendies. Le non-respect de ces instructions risque d'entraîner un feu de cheminée ou dans la maison. Tenez les enfants, les meubles, les appareils et tous les produits combustibles à l'écart des appareils de chauffage. Consultez le manuel d'utilisation pour ce qui concerne les dégagements par rapport aux matériaux combustibles.

CONSERVEZ CE MANUEL POUR RÉFÉRENCE ULTÉRIEURE.

Lisez la totalité de ce manuel avant d'installer et d'utiliser votre nouvel appareil de chauffage individuel. Si cet appareil de chauffage individuel n'est pas installé correctement, il peut causer un incendie. Pour réduire le risque d'incendie, suivez les instructions d'installation. Le non-respect des instructions risque d'entraîner des dommages aux biens, des blessures corporelles ou même la mort.

Rev. 12/2016 – Canada - French

Pour un service en Français – Courriel:
infoenfrancais@englishstoves.com
Telephone (844) 411-2654



Lettre de notre service d'aide technique :

Merci d'avoir acheté cet excellent produit d'England's Stove Works !

England's Stove Works a été créé par une famille, à qui l'entreprise appartient encore, qui croit très fort à l'esprit du « faites-le vous-même » - c'est une raison pour laquelle vous avez trouvé ce produit dans votre magasin de bricolage favori.

C'est intentionnellement que nous concevons et fabriquons nos poêles de manière que tout propriétaire puisse entretenir le sien avec des outils de base, et nous sommes toujours contents de vous montrer comment faire le travail aussi facilement et aussi bon marché que possible.

De nos documents d'entretien gratuits, téléchargeables, à notre vidéo d'entretien Pellet, en passant par notre guide de dépannage « intelligent » sur notre site Web, nous avons toujours essayé d'aider nos clients à rester « prêts à chauffer », tout particulièrement quand les tarifs de l'huile et de l'électricité continuent d'augmenter.

N'hésitez pas à consulter l'importante section d'aide sur notre site Web, et à appeler notre service clientèle au (800) 245-6489 si vous avez besoin d'aide avec votre poêle.

Nous pouvons presque toujours vous aider à effectuer n'importe quelle réparation, régler un problème ou répondre aux questions que vous vous posez.

VEUILLEZ NOTER QUE : Si les renseignements disponibles sur notre site Web et par l'intermédiaire de notre numéro 800 sont toujours gratuits, il y aura des frais de service dans le cas de réparation ou d'entretien effectué chez vous et arrangé par nous.

Nous vous souhaitons de longues années de chauffage efficace, de qualité et confortable.

England's Stove Works
Service d'aide technique

www.englishstoves.com

(800) 245-6489

EN CAS DE PROBLÈME AVEC CET APPAREIL, NE LE RAPPORTEZ PAS AU CONCESSIONNAIRE. PRENEZ CONTACT AVEC LE SERVICE CLIENTÈLE AU 1 (800) 245-6489.

MISE EN GARDE

Si vous avez le moindre doute à propos de votre capacité à effectuer votre installation professionnellement après avoir lu ces instructions, nous vous recommandons d'obtenir les services d'un installateur compétent dans tous les domaines d'une installation correcte et sûre. **N'utilisez pas** de compromis temporaires ou improvisés pendant l'installation.

AVANT L'INSTALLATION DE VOTRE POÊLE

- 1. CHAUD PENDANT LE FONCTIONNEMENT. TENEZ LES ENFANTS, LES VÊTEMENTS ET LES MEUBLES À L'ÉCART. LE CONTACT RISQUE DE CAUSER DES BRULURES À LA PEAU.**
- 2. NE BRÛLEZ PAS D'ORDURES NI DE LIQUIDES INFLAMMABLES.**
- Vérifiez le respect des codes locaux auprès du service de l'inspecteur en bâtiment, au cas où un permis serait obligatoire.
- Cet appareil nécessite une cheminée maçonnée ou préfabriquée, enregistrée en fonction de ULC S629 (au Canada) et UL103HT (aux É.-U.), de dimensions correctes.
- Un conduit de fumée de 6 po est nécessaire pour obtenir les performances correctes.
- Toujours raccorder ce poêle à une cheminée, et ne **JAMAIS** évacuer la fumée dans une autre pièce ni à l'intérieur d'un bâtiment.
- NE PAS** raccorder à un conduit auquel un autre appareil est raccordé, comme par exemple un appareil de chauffage.
- NE PAS** raccorder ce poêle à un conduit de fumée servant à un autre appareil.
- NE PAS UTILISER DE PRODUITS CHIMIQUES NI DE LIQUIDES POUR ALLUMER LE FEU.**
- Le tuyau de raccordement et la cheminée doivent être inspectés périodiquement, et ramonés le cas échéant.
- N'oubliez pas les distances de dégagement quand vous mettez des meubles ou d'autres objets dans la zone.
- Prenez contact avec le service d'incendie local pour tous renseignements sur la manière de traiter un feu de cheminée. Ayez un plan clairement compris pour traiter un feu de cheminée. En cas de feu de cheminée, fermez la commande de tirage et **APPELEZ LES POMPIERS.**
- NE MANIPULEZ PAS** la commande de tirage au-delà des réglages normaux.
- Une fois le tirage requis obtenu, ne faites fonctionner le poêle qu'avec les portes fermées; ouvrez les portes lentement lors du remplissage (ceci réduira la fumée pénétrant dans la pièce, ou l'empêchera).
- Consultez notre site Web à www.englishstoves.com pour des renseignements utiles, des questions souvent posées, des commandes de pièces ou d'accessoires, etc. **Service clientèle : (800) 245-6489.**

Note sur le raccordement à l'air extérieur : Vous pouvez utiliser un raccordement à l'air extérieur avec cet appareil. Nous le préconisons fortement pour les maisons construites depuis que des normes de construction plus hermétiques sont entrées en vigueur. Ceci implique le raccordement d'un tuyau en métal (en général d'un diamètre de trois pouces (3 po) – vérifiez votre poêle – et ce tuyau peut être flexible ou rigide) entre le tube d'entrée d'air située à l'arrière et en bas du poêle au travers du plancher ou d'un mur. L'extrémité de ce tuyau située à l'extérieur doit être couverte (par exemple avec du grillage) pour la protéger des corps étrangers. Assurez-vous de la garder au-dessus de la hauteur de la neige et dégagée des feuilles et autres débris. **Il est nécessaire de réaliser ce branchement si l'installation est réalisée dans une maison mobile simple ou double -- voir la section « Raccordement à l'air extérieur » dans ce manuel.**

Une trousse est offerte par England's Stove Works, Inc. elle est conçue pour raccorder cet appareil à l'air comburant extérieur. [Pièce n° AC-OAK3]

POURQUOI LA TAILLE CORRECTE DU CONDUIT DE FUMÉE EST IMPORTANTE : 6 po

Le « tirage » est la force qui fait monter dans la cheminée l'air provenant de l'appareil de chauffage. La quantité de tirage dans votre cheminée dépend de la longueur de la cheminée, de la géographie locale, des obstructions proches et d'autres facteurs. Un tirage excessif risque de causer une température trop élevée dans le poêle. Une combustion incontrôlée, ou la couleur rouge vif d'une partie du poêle ou d'un raccord, peuvent indiquer un tirage excessif. Un tirage inadéquat risque de causer des retours de fumée dans la pièce ainsi que « l'obturation » de la cheminée, et (ou) des fuites de fumée dans la pièce par les jointures de l'appareil et des raccords avec la cheminée.

Les appareils de chauffage à combustible solide actuels ont un bien meilleur rendement qu'autrefois. Ils sont conçus pour donner une combustion contrôlée, ainsi qu'un transfert de chaleur maximal, en utilisant moins de combustible.

La conception de votre nouvel appareil est telle que la « fumée » qui en sort est maintenant à une température plus basse que ceux d'autrefois; par conséquent, il nécessite un dimensionnement correct de la cheminée pour avoir un tirage adéquat. Si votre cheminée est trop grande, l'appareil de chauffage aura des difficultés à faire atteindre au conduit de fumée une température suffisante pour permettre un tirage adéquat, ce qui causera « retour de fumée », mauvaise combustion, ou les deux.

En cas d'apparition de ce genre de problème, appelez un expert local en cheminées.

Quand la porte est fermée, le taux de combustion dépend de la quantité d'air qui pénètre dans l'appareil par le régulateur d'air. Avec l'expérience, vous pourrez régler le régulateur en fonction de la chaleur et de la durée de combustion désirés.

Les tentatives d'obtenir des taux de combustions supérieurs aux normes de conception de l'appareil de chauffage risquent de causer des dommages permanents à celui-ci. La charge de bois recommandée est au niveau du haut des briques réfractaires. Une surcharge risque d'empêcher suffisamment d'air d'entrer dans le poêle pour alimenter le feu correctement.

Ne manipulez pas le régulateur d'air de combustion au-delà des réglages normaux.

Ne faites fonctionner cet appareil de chauffage qu'avec la porte fermée.

NE LAISSEZ PAS LE POÊLE S'EMBALLER. Si le poêle ou le raccord de cheminée brille, le poêle est emballé.

FOURNISSEZ TOUJOURS UNE SOURCE D'AIR FRAIS DANS LA PIÈCE OÙ L'APPAREIL EST INSTALLÉ. À DÉFAUT, IL PEUT EN RÉsulTER UN MANQUE D'AIR AUX AUTRES APPAREILS QUI BRÛLENT UN COMBUSTIBLE, ET L'APPARITION POSSIBLE DE CONDITIONS DANGEREUSES.

CET APPAREIL DE CHAUFFAGE EST EXTRÊMEMENT CHAUD QUAND IL EST EN FONCTIONNEMENT. DES BRULURES GRAVES RISQUENT D'ÊTRE CAUSÉES À SON CONTACT. IL IMPORTE DE FAIRE ATTENTION, TOUT PARTICULIÈREMENT QUAND DES ENFANTS SONT PRÉSENTS.

CONDUIT DE FUMÉE

1. Conduit de fumée existant

Si vous avez choisi un appareil indépendant, ce poêle est conçu pour se raccorder à un conduit de fumée existant, par exemple un maçonné ou préfabriqué de classe A. Si votre conduit de fumée est maçonné, le revêtement intérieur doit être inspecté soigneusement pour vérifier l'absence de fissures; si votre cheminée n'a pas de revêtement intérieur, nous préconisons l'installation d'une gaine en inox, par vous ou par un installateur. S'il existe un conduit préfabriqué, le revêtement intérieur devra être inspecté pour vérifier l'absence de déformation ou de flambage. Quel que soit le type de cheminée, elle doit être soigneusement ramonée avant l'installation de votre nouveau poêle. Nous préconisons fortement de faire ramoner et inspecter toute votre tuyauterie par un ramoneur qualifié, celui-ci pouvant repérer d'éventuels problèmes qui vous échapperaient. Le ramoneur, dans la plupart des cas, pourra faire les réparations nécessaires, ou sinon recommander une personne qualifiée pour les effectuer.

Il n'est pas permis de raccorder ce poêle à une cheminée si un autre appareil de chauffage y est déjà raccordé.

2. Taille du conduit de fumée

La taille correcte pour le conduit de fumée est déterminée en mesurant le diamètre intérieur de la buse du poêle. Le poêle est équipé d'une buse à évacuation par le haut de six pouces (6 po). Par conséquent, le tuyau de raccordement doit avoir un diamètre de six pouces (6 po) et ne doit jamais avoir un diamètre inférieur à la buse du poêle. Il se peut que votre poêle nécessite un adaptateur (**AC-1677**), qui réduira le diamètre du tuyau raccord de 6 po de 1/8 po. C'est nécessaire pour accommoder les différences entre des tuyaux provenant de différents fabricants tout en maintenant une bonne étanchéité. La section de la gaine de la cheminée doit aussi obligatoirement être égale ou supérieure à la section de la buse du poêle. Si la section du conduit de fumée est supérieure à celle de la buse, elle ne doit jamais dépasser deux fois et demi (2,5 fois) celle-ci.

Le tuyau de raccordement noir doit être en acier d'épaisseur n° 24, et doit être situé à 18 pouces (18.0") des murs ou des plafonds combustibles. Cet espace peut être réduit en utilisant des blindages de connecteurs de cheminées murales doubles ou simples.

3. Installation d'un conduit de fumée neuf

Remarque : Ni conduits de fumée ni tuyaux ne sont fournis avec l'appareil.

Conduit de fumée maçonné : Au cas où vous prévoiriez d'installer un circuit, ou d'en faire installer un, vous avez plusieurs solutions. Au milieu et à la fin des années soixante-dix, les conduits de fumée maçonnés étaient très populaires et, aujourd'hui, ce type de circuit reste satisfaisant. Si vous envisagez un circuit maçonné, consultez les responsables de la construction locaux pour connaître les procédures correctes par rapport à ce type de cheminée. Nous vous recommandons de consulter un entrepreneur cautionné et agréé, et de lui faire construire votre conduit de fumée. La plupart des cheminées maçonnées sont placées contre un mur extérieur et dépassent la hauteur de la maison. Le manchon d'emboîtement est ensuite inséré au travers du mur, pour réaliser le raccordement entre le tuyau du poêle et le conduit de cheminée verticale. Ne percer le mur qu'avec extrêmement de précautions - vous devez obligatoirement maintenir un dégagement correct entre la gaine de raccordement et les éventuels matériaux combustibles dans le mur.

Nous préconisons également d'installer une trappe de nettoyage, qui sera située à au moins deux pieds (2 pi) en dessous du manchon d'emboîtement, pour faciliter le ramonage de votre circuit. L'étanchéité de cette trappe doit être aussi parfaite que possible. C'est la responsabilité du consommateur de s'assurer que le circuit de cheminée est sûr et en bon état de fonctionnement.

Le fabricant ne saurait être tenu pour responsable d'un éventuel accident attribué à un appareil de chauffage raccordé à une cheminée défectueuse.

DÉGAGEMENT PAR RAPPORT AUX PRODUITS COMBUSTIBLES (voir l'illustration 1)						
Dégagements par rapport au poêle	Surfaces non protégées			Surfaces protégées (NFPA-211)		
	Côté (A)	Arrière (B)	Angle (D)	Côté (A)	Arrière (B)	Angle (D)
Pas d'écran thermique pour le poêle	20 po	14 po	15 po	12 po	12 po	12 po
Écrans latéraux et arrière, raccord de cheminée à paroi simple	21 po	8 po	14 po	P/D	P/D	P/D
Écrans latéraux et arrière, raccord de cheminée à paroi double	20 po	5 po**	14 po	12 po	5 po**	12 po
REMARQUE : Raccord de conduit de fumée au mur arrière (C) :						
1. Raccord à paroi simple avec écran arrière = 18 po 2. Raccord à paroi simple avec écrans arrière & latéraux = 10 po						
REMARQUE : Raccord de conduit de fumée à l'angle (E) :						
3. Raccord à paroi double avec écrans arrière & latéraux = 7 po 1. Raccord à paroi simple avec écran arrière = 20,5 po 2. Raccord à paroi simple avec écrans arrière & latéraux = 19,5 po						

** Veuillez noter que l'AC-16 soufflerie nécessite approx. 7 "s'il est installé sur l'arrière de l'unité

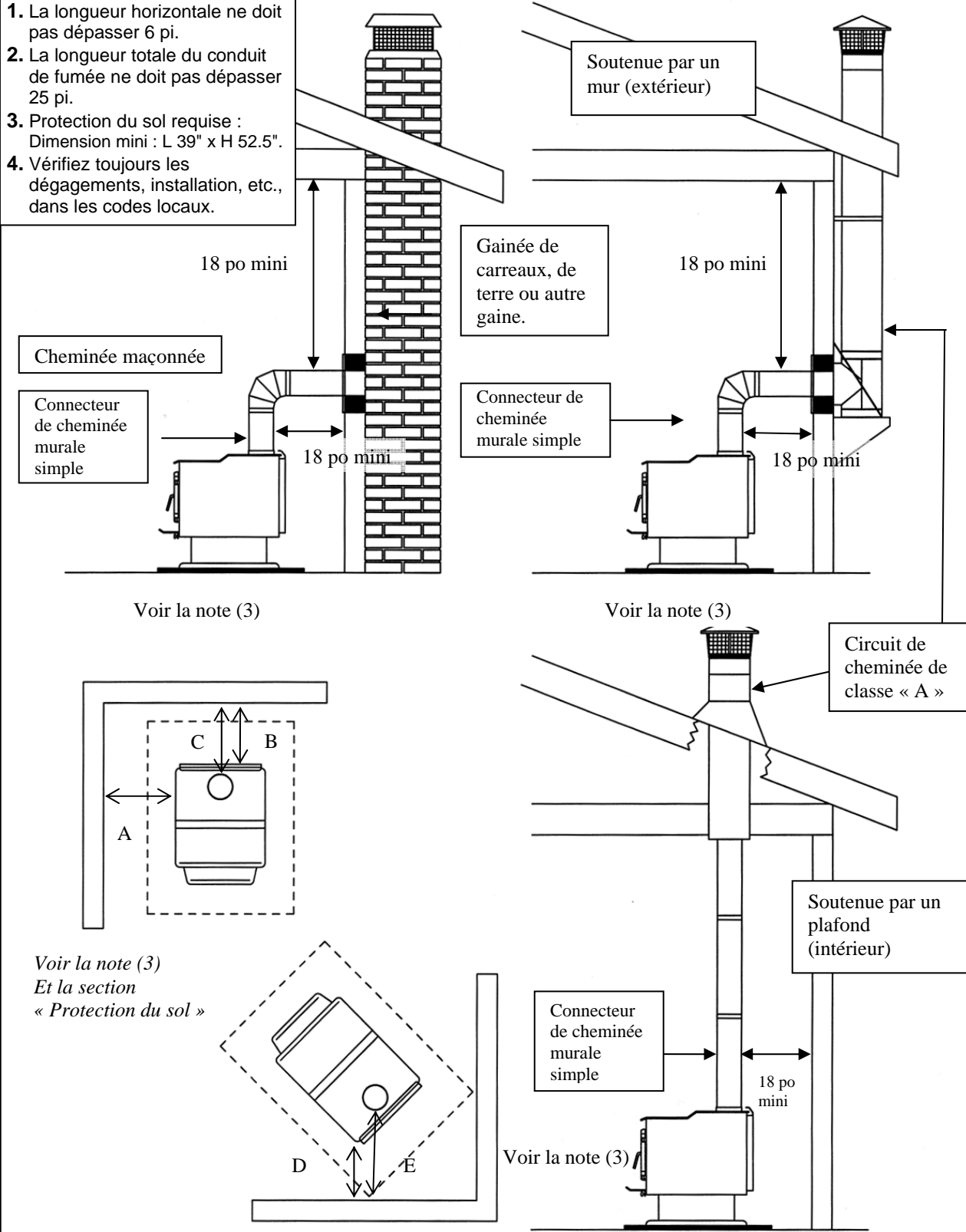
APPLICATIONS D'INSTALLATION

Illustration 1

REMARQUE :

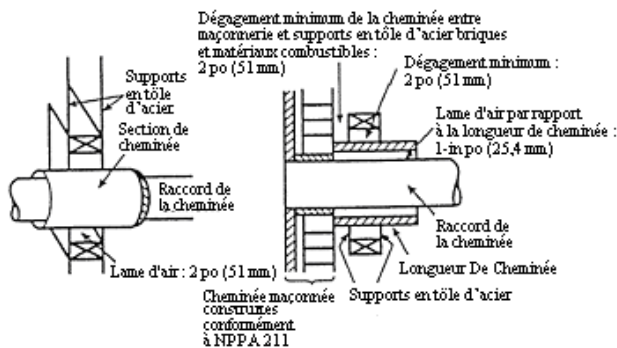
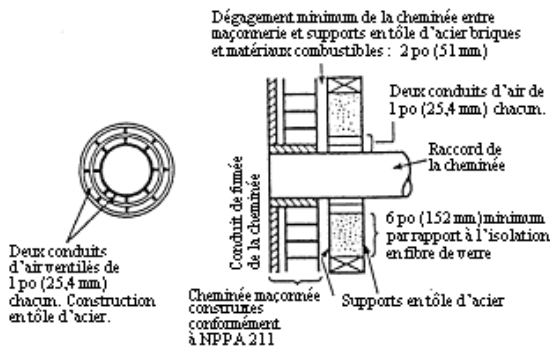
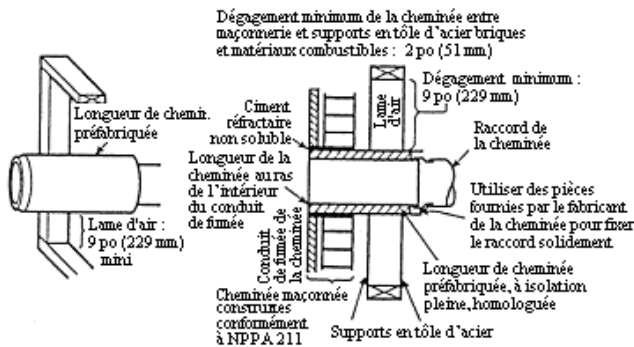
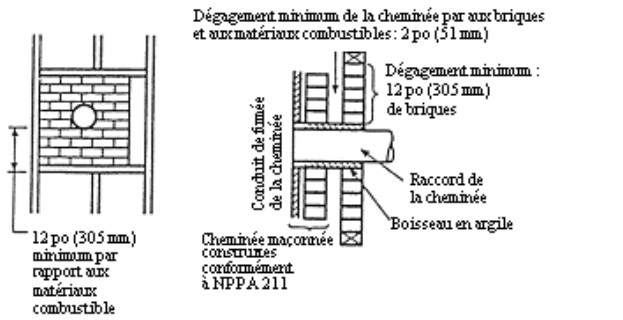
1. La longueur horizontale ne doit pas dépasser 6 pi.
2. La longueur totale du conduit de fumée ne doit pas dépasser 25 pi.
3. Protection du sol requise : Dimension mini : L 39" x H 52.5".
4. Vérifiez toujours les dégagements, installation, etc., dans les codes locaux.

Suivez toutes les exigences d'installation du fabricant du système de ventilation et de leurs autorisations nécessaires.



***MAUVAISE INSTALLATION :** Le fabricant ne sera pas tenu responsable des dommages causés par un dysfonctionnement du poêle dû à une mauvaise installation. N'utilisez pas de méthodes ou de matériaux improvisés qui pourraient compromettre l'installation. England's ne sera pas responsable des dommages indirects aux biens ou aux personnes qui résulteraient de l'utilisation de ce produit. Appelez le (800-245-6489) et (ou) consultez un installateur professionnel si vous avez la moindre question.

Raccords de cheminée et dégagements par rapport aux murs combustibles pour les appareils de chauffage résidentiels



A En brique maçonnées ayant une épaisseur minimale de 3,5 po entièrement encastrée dans le mur avec un cadre et ayant une séparation minimale de 12 po par des briques entre le boisseau en argile et les matériaux combustibles. Le boisseau en argile doit aller de la surface extérieure du mur en briques jusqu'à la surface intérieure de la gaine de la cheminée; il doit être cimenté fermement en place.

B Longueur de cheminée préfabriquée, à isolation pleine, homologuée, ayant le même diamètre intérieur que le raccord et ayant au moins 1 po de revêtement isolant avec une lame d'air minimale de 9 po entre le mur extérieur de la longueur de cheminée et les matériaux combustibles.

C Raccord de cheminée en tôle d'acier, d'épaisseur n° 24 au minimum, avec un manchon d'emboîtement ventilé, d'épaisseur n° 24 au minimum, ayant deux conduits d'air de 1 po, séparé des matériaux combustibles par de l'isolant en fibre de verre d'une épaisseur minimale de 6 po. L'ouverture doit obligatoirement être couverte, et le manchon d'emboîtement soutenu par un support en tôle d'acier d'épaisseur n° 24 au minimum.

D Longueur de cheminée préfabriquée, à isolation pleine, homologuée, ayant un diamètre intérieur 2 po plus grand que le raccord et ayant au moins 1 po de revêtement isolant, pour servir de gaine à un raccord à paroi simple en tôle d'acier, d'épaisseur n° 24 au minimum, avec une lame d'air minimale de 2 po entre le mur extérieur de la section de cheminée et les matériaux combustibles. La longueur minimale de la section de cheminée doit obligatoirement être une section de cheminée de 12 po espacée de 1 po du raccord au moyen de plaques support en tôle d'acier aux deux extrémités de la section de cheminée. L'ouverture doit obligatoirement être couverte, et la section de cheminée soutenue des deux côtés avec des supports en tôle d'acier solidement fixés aux surfaces des murs, d'épaisseur n° 24 au minimum. Les éléments servant à la fixation de la section de cheminée ne devront pas pénétrer la chemise de la cheminée.

Au Canada, l'installation doit respecter la norme CAN/CSA-B365 lorsqu'elle passe à travers des matériaux de construction combustibles.

APPLICATIONS D'INSTALLATION, suite

Illustration 1b

Conduits de fumée préfabriqués : Depuis quelques années, les conduits de fumée préfabriqués sont devenus très populaires, parce qu'ils sont très faciles à installer et, quand l'installation est réalisée correctement, ils sont très sûrs. Il existe de nombreux conduits de fumée préfabriqués sur le marché, et il est important d'en choisir un qui soit agréé par U.L. (ou ULC si le Canada), B.O.C.A. ou I.C.B.O. Tous ces systèmes sont construits avec les matériaux corrects et sont conformes aux normes de sécurité adéquates. Votre concessionnaire local propose normalement une marque agréée de tuyaux pour conduit de fumée. Il existe deux méthodes d'installation très populaires pour ce type de cheminées.

La *première*, la plus populaire et la moins chère, passe par le plafond et le toit. C'est le circuit le plus direct, et celui qui crée un bon tirage parce qu'il nécessite le moins de tuyauterie. C'est moins cher car une conduite isolée est nécessaire seulement depuis le plafond jusqu'au toit et au-dessus - - une conduite murale simple de calibre 24 ou plus est utilisée depuis l'unité jusqu'au plafond si vous maintenez un espace de 18 pouces (18.0") d'un mur combustible.

La *seconde* méthode d'installation d'un circuit préfabriqué consiste à sortir par le mur et à faire cheminer les tuyaux verticalement à l'extérieur de la structure. Cette méthode est plus chère parce qu'elle nécessite davantage de tuyauterie isolée : il faut utiliser un tuyau isolé au travers du mur et à l'extérieur de la structure. Quelle que soit le type d'installation choisie, il faut maintenir les dégagements corrects par rapport aux matériaux combustibles. Le fabricant de votre conduit de fumée fournit un manchon d'emboîtement ou une boîte de support au plafond; quand l'un ou l'autre est installé correctement, les dégagements corrects sont réalisés. Si vous ne pouvez pas installer ce type de conduite, votre concessionnaire local pourra vous recommander un entrepreneur qualifié pour cette installation. C'est la responsabilité du consommateur de s'assurer que le conduit est sûr et en bon état de fonctionnement.

Le fabricant ne saura être tenu pour responsable d'un éventuel accident causé par un appareil de chauffage raccordé à un conduit de fumée défectueux.

PROTECTION DU SOL ET DES MURS

1. Protection du sol :

Vous n'aurez pas besoin de protection du sol si celui-ci est en matériau non combustible (briques ou béton, par ex.). Si votre sol est en matériau combustible (en bois dur, en moquette ou en linoléum, par exemple), il faut obligatoirement interposer une protection entre le poêle et le matériau combustible.

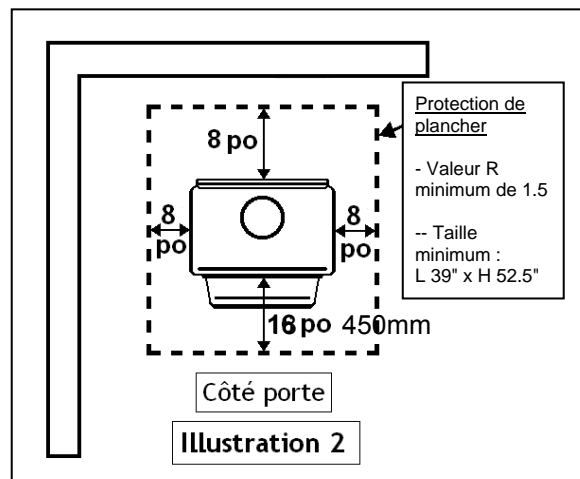
Il existe de nombreux fabricants de panneaux muraux et de sol, et vous devrez être très prudent pour choisir la protection adéquate. Le type de panneau que vous choisirez doit avoir été évalué et agréé par l'UL (ou ULC si le Canada). Après avoir examiné la zone où vous prévoyez de placer votre poêle et avoir déterminé qu'elle nécessite un panneau, l'étape suivante consiste à en sélectionner la taille adéquate. La dimension du panneau nécessaire sera fonction du poêle que vous aurez choisi. La planche de protection agréée doit être assez grande pour assurer un minimum de huit pouces (200 mm) derrière l'unité, huit pouces (200 mm) sur les deux côtés et 450 mm à l'avant où se trouve la porte. La protection doit avoir une valeur R de 1.5 (unités anglaises) ou équivalente (Voir "Installation sur un plancher combustible"). Ce fourneau requiert une protection de plancher de 39.0" x 52.5" au minimum.

Installation sur un sol en béton

Un appareil monté sur un sol en béton ne nécessite pas de protection du sol.

Ni moquette ni aucun autre matériau combustible ne doit couvrir le protecteur de sol.

Si la surface combustible est appliquée sur un sol en béton, un dégagement est obligatoire sur une surface équivalente à celle réservée au protecteur de sol.



Installation sur un sol combustible

Si l'appareil doit être installé sur un sol combustible ou sur un revêtement de sol combustible, il doit alors obligatoirement être installé sur un protecteur de sol, en carton à l'enrouleuse non combustible de 1 po d'épaisseur ou un équivalent durable, ayant un facteur « R » minimum de 1,5 (unités anglaises) ou équivalent. Le protecteur doit obligatoirement être installé sous l'appareil, et le dépasser de 450 mm du côté équipé d'une porte, et de 8 po de tous les autres côtés. Le protecteur doit obligatoirement couvrir le parcours d'un éventuel raccord horizontal de cheminée, en dépassant de 2 po de part et d'autre.

Autres possibilités de protection du sol :

La procédure représente un moyen facile pour déterminer si un protecteur de sol proposé est conforme aux exigences :

- 1) Convertissez les caractéristiques en valeur « R » :
 - i Une valeur « R » est donnée – aucune conversion n'est nécessaire
 - ii Le coefficient K est fourni en même temps qu'une épaisseur (T) en pouces : $R = 1/k \times T$
 - iii Un facteur C est fourni : $R = 1/C$
- 2) Déterminez la valeur « R » du protecteur de sol proposé :
 - i Utilisez la formule correcte donnée à l'étape 1 (ci-dessus) pour convertir les valeurs non exprimées sous forme de « R ».
 - ii Dans le cas de plusieurs couches, ajoutez les valeurs « R » de chaque couche pour déterminer la valeur « R » totale.
- 3) Si la valeur « R » totale du système est supérieure à la valeur « R » du protecteur de sol spécifié, l'autre choix est acceptable.

EXEMPLE :

Le protecteur de sol spécifié doit être un matériau de 3/4 po d'épaisseur ayant un coefficient K de 0,84. L'autre choix proposé est de la brique de 4 po ayant un facteur C de 1,25 sur une planche de type minéral de 1/8 po ayant un coefficient K de 0,29.

Étape (a) : Servez-vous de la formule ci-dessus pour convertir les spécifications en valeur « R ».

$$R = 1/k \times T = 1/0,84 \times 0,75 = 0,893$$

Étape (b) : Calculez le R du système proposé.

Brique de 4 po avec C = 1,25, par conséquent le R de la brique = $1/C = 1/1,25 = 0,80$

Planche de type minéral de 1/8 po avec k = 0,29, par conséquent Rmini de la planche = $1/0,29 \times 0,125 = 0,431$

$$R \text{ Total} = R_{\text{brique}} + R_{\text{planche minérale}} = 0,8 + 0,431 = 1,231$$

Étape (c) : Comparez la valeur R = 1,231 au R spécifié de 0,893. Le R du système proposé étant supérieur à la valeur requise, le système est acceptable.

Définitions :

$$\text{Conductance thermique} = C = \frac{\text{Btu}}{(\text{hr})(\text{pi}^2)(\text{deg F})} = \frac{W}{(\text{m}^2)(\text{deg K})}$$

$$\text{Conductivité thermique} = k = \frac{(\text{Btu})(\text{pouce})}{(\text{hr})(\text{pi}^2)(\text{deg F})} = \frac{W}{(\text{m})(\text{deg K})} = \frac{\text{Btu}}{(\text{hr})(\text{ft})(\text{deg F})}$$

$$\text{Résistance thermique} = R = \frac{(\text{pi}^2)(\text{hr})(\text{deg F})}{\text{Btu}} = \frac{(\text{m}^2)(\text{deg K})}{W}$$

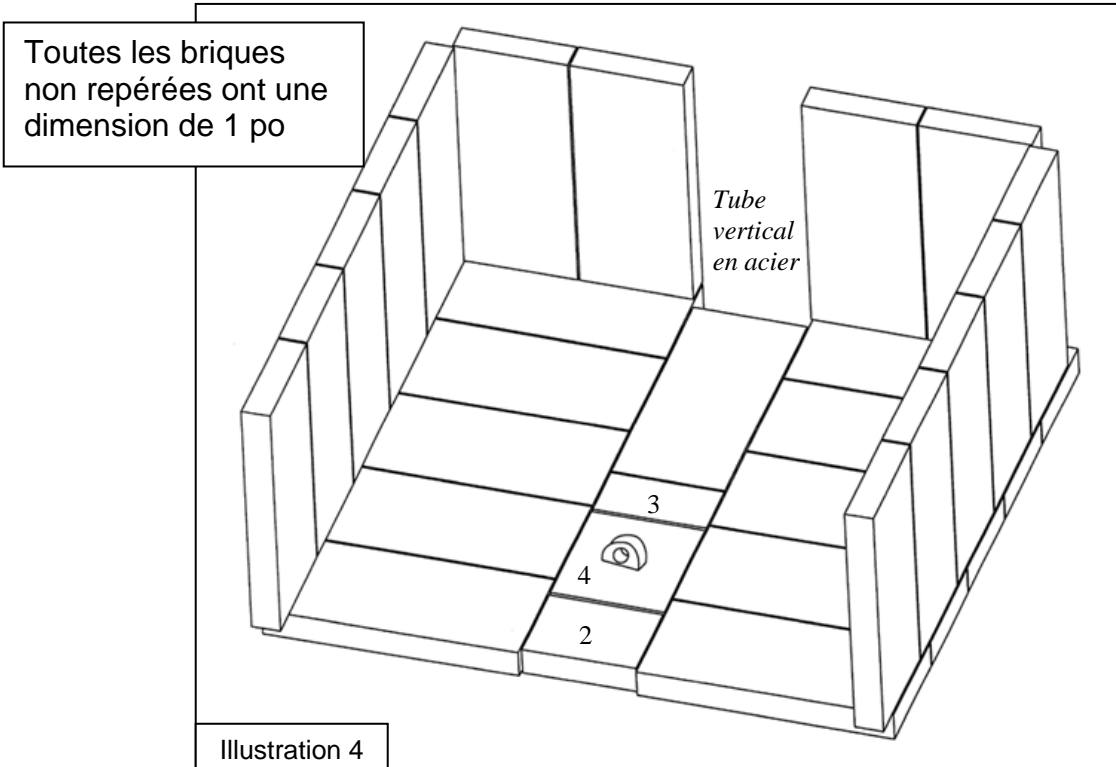
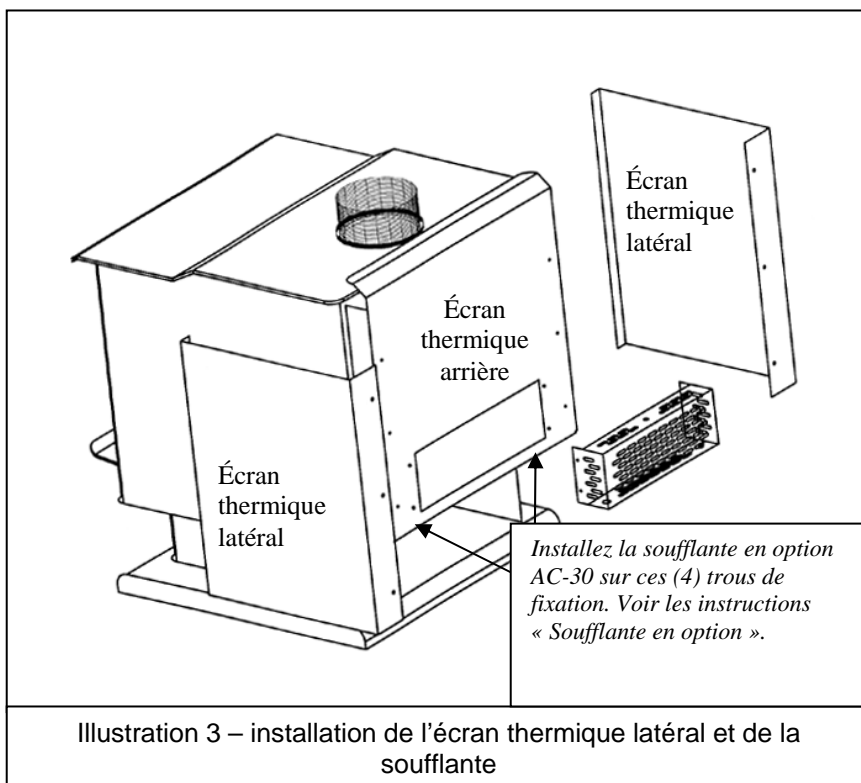
2. Protection des murs :

Voir l'illustration 1 pour les dégagements par rapports aux murs. Dans certains endroits, les codes locaux exigent trente-six pouces (36 po) par rapport à un matériau combustible; par conséquent, il est très important de vérifier auprès des autorités locales. Si vous avez besoin de mettre votre appareil plus près d'un mur combustible, une protection sera nécessaire. Si un panneau mural est utilisé, il réduira votre dégagement des deux tiers (2/3); toutefois, une lame d'air d'un pouce (1 po) est nécessaire entre le panneau et le mur. Si vous avez une évacuation par le plafond, vous aurez besoin d'une protection du sol au plafond au cas où vous n'auriez pas les dégagements normaux. Si votre tuyau de conduit de fumée passe par le mur, vous aurez besoin d'une protection murale sur au moins douze pouces (12 po) au dessus du manchon d'emboîtement dans le mur.

3. Écrans thermiques latéraux

Cet accessoire est livré avec la quincaillerie (six (6) vis) nécessaire pour l'installer à l'arrière du poêle. Il s'agit d'un écran thermique en deux morceaux, mais il s'installe une partie à la fois. Il y a des trous pré-perçés de chaque côté de l'écran thermique arrière; tout en maintenant chaque morceau d'écran thermique latéral en place, alignez les trous pré-perçés de l'écran latéral avec les trous existants dans l'écran thermique arrière, et fixez-les à l'aide des vis fournies.

Voir l'illustration 1 pour les dégagement avec et sans écrans thermiques latéraux.



IMPLANTATION DES BRIQUES

1 – (non repéré sur le schéma – brique de 9 x 4 x 1 1/4 po (Qté : 25)
 2 – brique 4 x 2 x 1 1/4 po (Qté : 1)

3 – brique 4 x 2 1/2 x 1 1/4 po (Qté : 1)
 4 – plaque en métal (plaque de cendrier, Qté : 1)

AC-16 Blower Installation Instruction Guide – for Models with “30” in Model Number

Guía de instrucciones de instalación del ventilador AC-16 Guide d'installation du ventilateur AC-16



120 VOLTS, 60Hz, 0.75 AMPS, 2900 RPM
DANGER: RISK OF ELECTRIC SHOCK.
DISCONNECT POWER BEFORE SERVICING UNIT.

120 VOLTS, 60Hz, 0,75 AMPÈRE, 2900 TR/MIN
DANGER : RISQUE DE CHOC ÉLECTRIQUE.
DÉBRANCHER L'ALIMENTATION AVANT TOUTE INTERVENTION SUR L'APPAREIL.

OPERATING INSTRUCTIONS:

This unit is set up for installation of an optional 2-speed blower motor. The fan speed should be run on “Low” when the unit is operating at lower burn settings, and set to “High” for high burns. When routing the power cord, be sure that the cord does not come into contact with any hot surface.

INSTRUCTIONS DE FONCTIONNEMENT : Cet appareil est prévu pour l'installation d'un moteur de soufflante en option à 2 vitesses. La vitesse de la soufflante doit être réglée sur « Bas » quand le poêle fonctionne avec une combustion lente, et sur « Haut » quand le feu est vif. Pour le cheminement du cordon d'alimentation, veillez à ce que celui-ci n'entre en contact avec aucune surface chaude.

*For our freestanding models with “30” in model number
Para nuestros modelos de pie con “30” en el número de modelo
Pour nos modèles sur pieds avec un numéro de modèle “30”*

**Install AC-16 Optional Blower as shown, using the (4) supplied mounting screws.
Instale el ventilador opcional AC-16 como se muestra, usando los tornillos de montaje suministrados (4).
Installer le ventilateur optionnel AC-16 comme indiqué, à l'aide des (4) vis de fixation fournies.**

The optional heat circulation blower on this stove requires periodic lubrication; this lubrication should be performed no less than every three months of normal operation. To properly lubricate the blower, use an eye dropper or similar dispensing device to drip 5-7 droplets of SAE 20 oil into the oil port on the side of the blower motor.

El soplador de circulación de calor opcional en esta estufa requiere la lubricación periódica; esta lubricación no debería ser realizada menos que cada tres meses de la operación normal. Para lubricar correctamente al soplador, use un cuentagotas o el dispositivo de distribución similar para gotear 5-7 gotitas de SAE 20 petróleo en el puerto del aceite en el lado del motor de soplador.

Le ventilateur en option de circulation de chaleur sur ce poêle nécessite un graissage périodique; cette lubrification doit être effectuée au moins tous les trois mois de fonctionnement normal. Pour lubrifier correctement le ventilateur, utilisez un compte-gouttes ou un dispositif semblable de distribution pour faire couler 5 à 7 gouttes d'huile SAE 20 dans l'orifice à cet effet, situé sur le côté du moteur du ventilateur.

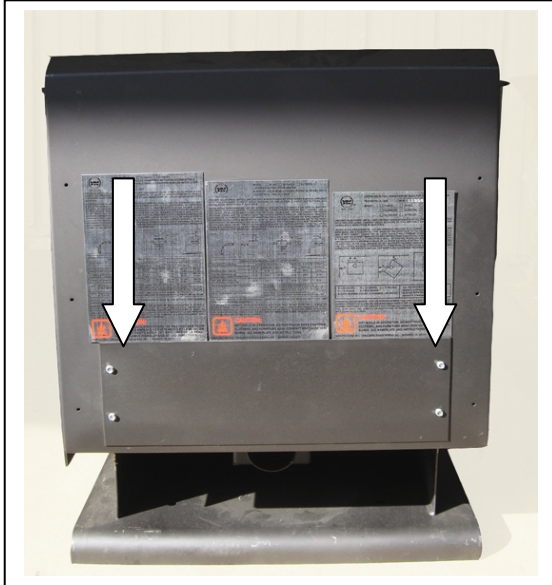
**ALWAYS FOLLOW ALL CODES AND OWNER'S MANUALS!
;SIEMPRE SIGA TODOS LOS CÓDIGOS Y MANUALES DEL PROPIETARIO!
TOUJOURS SUIVRE TOUS LES CODES ET LES MODES D'EMPLOI!**

SOUFFLANTE EN OPTION - Ecouter

AC-30 Blower Installation Instruction Guide

Guía de instrucciones de instalación del ventilador AC-30

Guide d'installation du ventilateur AC-30



For our freestanding models with "30" in model number
Para nuestros modelos de pie con "30" en el número de modelo
Pour nos modèles sur pieds avec un numéro de modèle "30"

1. Remove the four (4) screws (size 5/16") and the cover plate from the rear heat shield.
1. Retire los cuatro (4) tornillos (de 5/16") y la placa de cubierta del protector térmico posterior.
1. Retirer les quatre (4) vis (5/16 po [8 mm]) et la plaque de protection à l'arrière de l'écran de chaleur.

2. Position the blower, orienting the fan so that it will blow air upwards and between the heat shield and the back of the stove's firewall. Install using the same four screws that held the cover plate in place (the plate will not be reinstalled). The blower should be plugged into a 110 VAC power source, and is controlled by the rheostat knob.

2. Coloque el soplador, orientando el ventilador de manera tal que el aire fluya hacia arriba, y entre el protector térmico y la parte posterior de la pantalla cortafuegos de la estufa. Instale usando los cuatro tornillos que sostenían la placa de la cubierta en su lugar (la placa no será reinstalada). El soplador debe ser conectado a una fuente de alimentación de 110 VCA y deberá ser controlado por medio de la perilla de un reóstato.

2. Placer le ventilateur, en l'orientant afin qu'il souffle l'air vers le haut entre l'écran de chaleur et l'arrière du pare-feu du poêle. Installer à l'aide des quatre mêmes vis qui maintenaient la plaque de protection en place (la plaque ne sera pas reposée). Le ventilateur doit être branché dans une source de courant 110 volts CA; il est commandé par le bouton du rhéostat.



ALWAYS FOLLOW ALL CODES AND OWNER'S MANUALS!
¡SIEMPRE SIGA TODOS LOS CÓDIGOS Y MANUALES DEL PROPIETARIO!
TOUJOURS SUIVRE TOUS LES CODES ET LES MODES D'EMPLOI!

POSITIONNEMENT ET INSTALLATION

Le premier problème que vous risquez de rencontrer est de rentrer votre poêle chez vous -- tous nos poêles sont bien construits, ce qui les rend assez lourds. Trois à quatre adultes peuvent normalement porter un poêle, mais nous préconisons quand même l'utilisation d'un chariot. Ne jamais essayer de manipuler seul(e) un produit de chauffage !!! La porte et les briques peuvent être retirées temporairement pour alléger le poêle (voir le plan des briques). Après que le poêle soit à sa place, installez les poignées en ressort et attachez l'équipement en option, s'il y en a.

Tuyau de raccordement à la cheminée

Le tuyau noir doit obligatoirement avoir un diamètre de six pouces (6 po) et être en acier d'épaisseur au moins n° 24. N'utilisez pas de tuyau en aluminium ou en acier galvanisé, qui ne supporterait pas les températures très élevées produites par le poêle. De même, n'utilisez pas un tuyau de raccordement à paroi simple comme cheminée – vous devez obligatoirement raccorder votre poêle à une cheminée comparable à celles décrites ci-dessus dans ce manuel. L'extrémité sertie de votre tuyau doit être insérée dans la buse et, de ce fait, tout le tuyau sera inversé. Si vous utilisez cette méthode, la créosote descendra le long de l'intérieur de votre tuyau et ne sortira pas par les jointures sur le poêle. Comme mesure de sécurité, tous les joints doivent être fixés ensemble par au moins trois (3) vis en tôle.

Pour le bon fonctionnement, le raccord de cheminée doit être aussi court que possible et ne jamais dépasser une distance horizontale de six pouces (6 po). Les parcours horizontaux du raccord de cheminée doivent avoir une pente vers le haut d'un quart de pouce (1/4 po) par pied. Vous devrez garder 18 pouces (18.0") de dégagement par rapport aux murs et au plafond, sauf si vous utilisez un tuyau à double paroi ou isolé.

INSTALLATION

1. Enlevez toutes les pièces de l'intérieur du poêle.
2. Sélectionnez le meilleur emplacement pour le poêle. Il est interdit d'installer ces appareils à une distance inférieure au dégagement minimum par rapport à des matériaux combustibles représentés à l'illustration 1. Le poêle doit obligatoirement être installé sur une surface non combustible, comme indiqué par les illustrations 1 et 2.

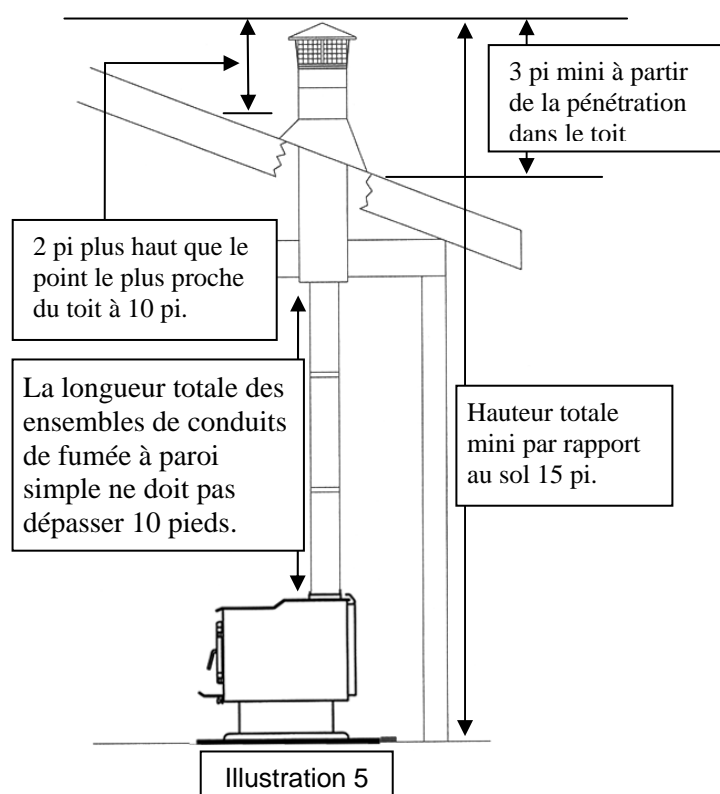
LE NON-RESPECT DES DÉGAGEMENTS MINIMAUX RISQUE D'ÊTRE LA CAUSE DE DANGERS.

3. Si des matériaux non combustibles sont installés sur les murs, procurez-vous les dégagements minimaux, soit auprès de leur fabricant soit auprès des services de l'inspecteur en bâtiment local.
4. Installez le tuyau du poêle À L'INTÉRIEUR de la buse en haut du poêle, entre celui-ci et la cheminée.
5. **N'UTILISEZ PAS** de grille pour surélever le feu.
6. Un dégagement de 18 pouces (18.0") est nécessaire entre le tuyau du poêle et les matériaux combustibles. Vérifiez auprès des autorités dont vous dépendez si vous avez la moindre question.
7. Toutes les sections de tuyau doivent obligatoirement être raccordées avec l'extrémité sertie (mâle) du côté du poêle.
8. Fixez le tuyau du poêle à la buse au moyen de trois vis à tôle. Faites de même à chaque jointure supplémentaire pour rigidifier l'installation.
9. Maintenez le diamètre de conduit de fumée requis sur toute la longueur de l'installation.
10. Si vous raccordez le poêle à un conduit de fumée maçonné ancien, assurez-vous qu'il a été inspecté et ne présente ni fissure et est en bon état général. Il pourra s'avérer nécessaire de recalibrer le conduit avec un doublage en inox.
11. On recommande de ne pas utiliser plus de deux coudes à 90° dans un conduit de tuyau de poêle. Un nombre de coudes à 90° supérieur à deux risque de réduire le tirage, voire de causer des fuites de fumée.
12. Une installation de cette sorte ne nécessite pas de clef de tuyau. Enlevez la plaque de registre de la cheminée, ou bloquez-la en position **OUVERTE**.
13. La longueur totale des ensembles de conduits de fumée à paroi simple ne doit pas dépasser 10 pieds.

CHEMINÉE

REPORTEZ-VOUS AUX INSTRUCTIONS DU FABRICANT DE LA CHEMINÉE ET DU RACCORD DE CHEMINÉE.

Avertissement: Installez VENT AU dégagements spécifiés PAR LA VENT DU FABRICANT



PRENEZ CONTACT AVEC L'AUTORITÉ DE CONSTRUCTION LOCALE POUR LES MÉTHODES D'INSTALLATION AGRÉÉES.

1. Cet appareil nécessite une cheminée maçonnée ou préfabriquée enregistrée en fonction de UL UL103HT (ULC S629 Canada), de dimensions correctes.
2. Si une cheminée est utilisée, il est recommandé de faire inspecter votre cheminée pour vérifier l'absence de fissures, ainsi que son état général avant d'installer votre appareil. **Il pourra être nécessaire de refaire le gainage de la cheminée pour réduire le diamètre du conduit de fumée à la dimension fonctionnelle appropriée.**
3. Pour aider à assurer un bon tirage, le haut de la cheminée doit être à au moins 3 pieds au dessus du point de pénétration au travers du toit, et être au moins 2 pieds plus haut que n'importe quel point du toit se trouvant dans un rayon de 10 pieds.
4. Le conduit de raccordement ne doit pas passer dans un grenier, un comble, un placard, un vide de construction, un plancher, un plafond, un mur ou toute division faite de matériaux de construction combustibles. La norme CAN/CSA-B365 doit être respectée s'il est nécessaire de traverser un mur ou un matériau de construction combustible.
5. La hauteur minimale totale de votre cheminée doit être de 15 pieds par rapport au sol.
6. N'utilisez pas de compromis improvisé pendant l'installation.

Installation dans une maison mobile

Fixer l'appareil de chauffage au sol à l'aide des deux trous du piédestal. Le poêle à bois **DOIT** être fixé au plancher de la maison mobile à l'aide de tire-fonds disposés dans les trous prévus à cet effet dans la partie inférieure de l'appareil. Utilisez un fil de cuivre n° 8 pour fixer le poêle au châssis de la maison mobile. Si l'appareil est sur une surface combustible, vous devrez percer des trous correspondants dans le protecteur de sol que vous choisirez (voir la section « Protecteur de sol »). Ne portez pas atteinte à l'intégrité structurale de la maison, et assurez-vous que l'appareil de chauffage est mis à la terre en permanence par rapport au châssis de votre maison. Rappelez-vous que de l'air provenant de l'extérieur est obligatoire pour la combustion, et de ne pas installer l'appareil dans une chambre.

Raccordement d'air extérieur

Lors de l'installation de ce modèle dans une maison mobile, simple ou double, il est nécessaire de fournir à l'appareil de l'air pour la combustion provenant de l'extérieur de la maison. **REMARQUE : CE POÊLE EST AGRÉÉ POUR LES MAISONS MOBILES SIMPLES ET DOUBLES AGRÉÉES (AVEC RACCORDEMENT À L'AIR EXTÉRIEUR) UNIQUEMENT POUR LE MODÈLE AVEC PIÉDESTAL - PAS POUR LES MODÈLES À PIEDS.**

Ceci s'effectue à l'aide d'un tuyau mince de trois pouces (3 po) (flexible ou rigide) entre le tuyau d'entrée d'air à l'arrière du poêle et l'extérieur, au travers du sol ou d'un mur (mesurez le tuyau pour être sûr d'obtenir la bonne taille). L'extrémité de ce tuyau située à l'extérieur doit être couverte (par exemple avec du grillage) pour la protéger des corps étrangers. Assurez-vous qu'elle soit bien au-dessus de la hauteur de la neige et dégagée des feuilles et autres débris. Si vous installez ce poêle dans une maison normale, ce raccordement n'est pas nécessaire, bien qu'il soit recommandé pour les maisons hermétiquement fermées.

Une trousse est offerte par England's Stove Works, Inc. elle est conçue pour raccorder cet appareil à l'air comburant extérieur. [Pièce n° AC-OAK3]

FONCTIONNEMENT

N'utilisez pas de grille ni n'élevez le feu. Allumez le feu de bois directement sur les briques. À la première utilisation du poêle, les solvants de la peinture s'évaporeront au fur et à mesure que le poêle se « fait ».

BOIS --

Ce poêle est conçu pour ne brûler que du bois naturel. On obtient en général un meilleur rendement et moins d'émissions en brûlant du bois dur ayant bien séché à l'air, par rapport à du bois tendre ou du bois dur vert ou fraîchement coupé.

N'utiliser que du bois sec. Le bois vert, en plus du fait qu'il ne contient que 60 % de la valeur calorifique du bois sec, dépose de la créosote à l'intérieur du poêle et de la cheminée. Ceci présente un danger extrême de feu de cheminée. **Pour pouvoir être appelé « sec », le bois doit avoir séché pendant un an.** Indépendamment du fait que le bois soit vert ou sec, il doit être entreposé dans un endroit aéré et à l'abri permettant un séchage correct pendant l'année. Le bois doit être rangé au-delà des dégagements recommandés par rapport aux produits combustibles.

NE PAS BRÛLER : Bois traité, ordures, solvants, déchets, carton, papier de couleur ou charbon.

PREMIER FEU --

- Rappelez-vous de bien aérer.
- Laissez le poêle se « rôder » avant de faire du feu pendant de longues durées à haute température.
- Des taches mates sur la surface peinte sont normales.
- Des taches brillantes sur la surface peinte (avant de faire du feu) sont normales.
- Appelez le service clientèle au (800) 245-6489 si vous avez la moindre question.

RÉGLAGE DES COMMANDES pour la commande d'arrivée d'air

<u>Taux de combustion</u>	<u>Réglage de l'entrée d'air</u>
Bas	Complètement fermé
Moyen bas	Ouvert $\frac{1}{4}$
Moyen haut	Ouvert $\frac{3}{4}$
Haut	Complètement ouvert

PRÉPARATION D'UN FEU

1. Ouvrez la commande d'arrivée d'air à fond (**REMARQUE** : La commande se trouve sous le cendrier. Elle s'ouvre en la **tirant vers l'extérieur**).
2. Mettez un peu de papier froissé dans le poêle.
3. Couvrez le papier avec une quantité généreuse de bois d'allumage en forme de « tipi », ainsi que quelques morceaux de bois.
4. Allumez ce combustible et fermez la porte presque complètement (laissez-la entrouverte).
5. Ajoutez des morceaux de bois plus gros au fur et à mesure que le feu progresse, en veillant à ne pas surcharger le poêle. Ne remplissez pas le foyer au-dessus de la partie en briques réfractaires. Une couche de charbon de 1 à 2 po (en théorie) doit être établie pour obtenir une performance optimale.
6. Cet appareil est conçu pour fonctionner avec le meilleur rendement quand l'air peut circuler vers toutes les zones du foyer. Un bon moyen d'y parvenir est de faire un petit « sillon » (1 à 2 po de large) au milieu du lit de charbon, d'avant en arrière, avant de mettre du combustible.
7. Une fois le combustible chargé, fermez la porte et ouvrez à fond la commande d'arrivée d'air, jusqu'à ce que le feu soit bien établi (environ 20 minutes), en veillant à ne pas le laisser s'emballer.
8. Ajustez le réglage de la commande d'arrivée d'air pour obtenir le taux de combustion désiré. S'il y a trop de fumée dans le foyer, ouvrez légèrement la commande d'arrivée d'air, jusqu'à ce que les flammes repartent et que le bois soit suffisamment enflammé. En résumé, fermé = « bas »; $\frac{1}{2}$ ouvert = « moyen » et ouvert à fond = « fort ».
9. **Pendant le remplissage du poêle, réglez le régulateur d'air en position ouvert à fond.** Quand le feu s'avive, ouvrez la porte **TRÈS** lentement et soigneusement. Ceci empêchera les gaz de s'enflammer et de causer de la fumée et les flammes de se répandre.
10. À ce stade, vous pouvez ajouter du bois, en veillant à ne pas surcharger le poêle.

N'UTILISEZ JAMAIS D'ESSENCE, DE CARBURANT POUR LAMPE SIMILAIRE A L'ESSENCE, DE KÉROSÈNE, DE LIQUIDE POUR L'ALLUMAGE DU CHARBON DE BOIS NI DE LIQUIDES SIMILAIRES POUR ALLUMER OU « FAIRE REPARTIR » UN FEU DANS CET APPAREIL DE CHAUFFAGE. GARDEZ TOUS LES LIQUIDES DE CE TYPE À L'ÉCART DE L'APPAREIL DU POÊLE PENDANT SON FONCTIONNEMENT.

ENTRETIEN DU VERRE

AVERTISSEMENT : N'UTILISEZ PAS DE MATÉRIAUX DE REMPLACEMENT. SEUL DU ROBAX PYROCERAM D'UNE TAILLE ET D'UNE ÉPAISSEUR ADÉQUATES ET RÉSISTANT À DES TEMPÉRATURES ÉLEVÉES PEUT REMPLACER LE VERRE.

Respectez les conseils d'utilisation et de sécurité ci-dessous :

1. Vérifiez régulièrement l'absence de fissures ou de cassures sur le verre. Si vous détectez une fissure ou une cassure, éteignez immédiatement le feu, et prenez contact avec votre concessionnaire ou le service clientèle au (800) 245-6489 pour en obtenir le remplacement (ou allez sur le site www.englishlanderstoves.com).
2. Ne claquez pas la porte et ne causez pas d'impact sur la vitre. En fermant la porte, assurez-vous que les bûches ou les autres objets ne dépassent pas et ne peuvent pas heurter la vitre.
3. Ne nettoyez pas la vitre avec des matériaux susceptibles de rayer (ou d'endommager) le verre. Des rayures sur le verre peuvent se transformer en fissures ou en cassures.
4. N'essayez jamais de nettoyer la vitre pendant que le poêle est chaud. Si les dépôts ne sont pas très épais, les produits courants de nettoyage pour vitres conviennent, avec un tampon à récurer simple, non abrasif. Les dépôts plus épais peuvent être éliminés avec un produit de nettoyage pour fours.
5. NE JAMAIS mettre dans le poêle de substances susceptibles de s'enflammer explosivement, car même de petites explosions dans une enceinte confinée peuvent faire sauter la vitre.
6. Le poêle est muni d'un système de nettoyage de l'air, conçu pour réduire les dépôts sur la vitre.

REPLACEMENT DU JOINT

Après une utilisation prolongée, il pourra être nécessaire de remplacer le matériau qui assure l'étanchéité de la vitre et de la porte s'il perd sa souplesse. Inspectez périodiquement les joints de la vitre et de la porte pour assurer qu'ils assurent bien l'étanchéité. Si les joints s'effilochent ou sont usés, remplacez-les immédiatement. Prenez contact avec votre concessionnaire ou le service clientèle au (800) 245-6489 ou www.englishlanderstoves.com pour ce qui concerne les pièces de rechanges agréées.

Suivez les étapes ci-dessous pour remplacer le joint de la vitre :

1. Assurez-vous que l'appareil n'est pas en fonctionnement, et qu'il a complètement refroidi.
2. Enlevez les vis et les supports de la vitre.
3. Extrayez la vitre en la soulevant.
4. Retirez le vieux joint, et nettoyez la vitre.
5. Mettez en place le joint neuf, en commençant par le bas de la vitre et en remontant le long des bords. Assurez-vous que le centre du joint est sur le rebord de la vitre.
6. Coupez le joint à la bonne longueur et mettez les deux extrémités bout à bout.
7. Remettez la vitre et ses supports dans la porte. Serrez les vis, en veillant à ne pas trop les serrer.

Vous pouvez commander des pièces et des options sur notre site Web : www.englishlanderstoves.com, ou en téléphonant au (800) 516-3636 (uniquement pour des pièces détachées; pour les questions techniques, appelez le 800-245-6489).

Suivez les étapes ci-dessous pour remplacer le joint de la porte :

1. Assurez-vous que l'appareil n'est pas en fonctionnement, et qu'il a complètement refroidi.
2. Enlevez le vieux joint de la porte et nettoyez le logement du joint.
3. Appliquez une couche mince de colle à joints haute-température dans le fond du logement.
4. En commençant du côté de la charnière de la porte, enfoncez le joint dans son logement tout autour de la porte, coupez-le à la bonne longueur et mettez les deux extrémités bout à bout.
5. Fermez la porte et attendez trois à quatre heures que la colle sèche avant de rallumer le feu.

PANNEAU DE FIBRES : SOIN & ENTRETIEN

CE POÊLE À BOIS UTILISE UNE TECHNOLOGIE NOUVELLE, QUI FAIT APPEL À UN PANNEAU EN FIBRES DE CÉRAMIQUES SITUÉ DANS LE FOYER, OÙ IL REPOSE SUR QUATRE TUBES EN ACIER INOXYDABLE.

NE PAS RETIRER CE PANNEAU EN FIBRE DE CÉRAMIQUE !!!

C'EST UN COMPOSANT NÉCESSAIRE DU FOYER.
VEUILLEZ AUSSI NOTER QUE : IL SE PEUT QUE LE PANNEAU DE FIBRES EN CÉRAMIQUE TOMBE PENDANT LE TRANSPORT INITIAL. ASSUREZ-VOUS QU'IL EST À PLAT, SUR LES TUBES EN INOX ET QU'IL EST POUSSÉ À FOND À L'ARRIÈRE DU POÊLE, SANS ESPACE ENTRE LE PANNEAU ARRIÈRE ET LA PAROI ARRIÈRE.

Appelez le (800) 245-6489 si vous avez des questions.

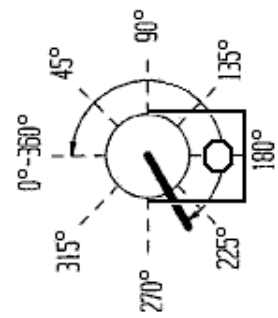
ENTRETIEN : Cet appareil est équipé d'un déflecteur de plafond en panneau de fibre de céramiques (en deux parties). Après une utilisation extensive, il faut déposer et nettoyer le panneau. Suivez les étapes ci-dessous pour son nettoyage ou son remplacement :

1. Assurez-vous que l'appareil n'est pas en fonctionnement, et qu'il a complètement refroidi.
2. Il y a une vis dans chaque support de tube en inox, située dans le plafond du foyer. Retirez les vis des supports de l'avant et du milieu.
3. Déplacez chaque tube non fixé vers la droite, de manière qu'une extrémité sorte complètement de son embase. Baissez l'extrémité et sortez-le en le retirant vers la gauche.
4. Descendez le premier panneau et poussez son coin gauche vers le haut et la gauche. Abaissez le coin droit vers le coin inférieur droit de l'ouverture de la porte, et extrayez le côté droit d'abord. Répétez l'opération pour la seconde partie du panneau.
5. Nettoyez les panneaux avec un aspirateur et soufflez dans les tubes pour éliminer le carbone, le cas échéant.
6. Réinstallez les panneaux et les tubes, à l'inverse de la méthode ayant servi à les retirer.

Avant (côté porte)
← du poêle

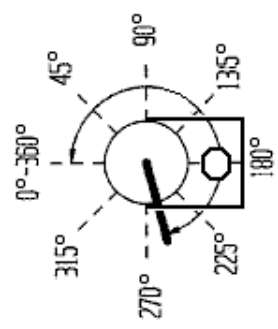
° = degrés

Arrière d'unité
→



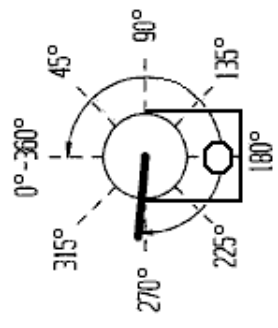
Les trous du 1er **Trous**
tube font face à .1875 , 3/16
240 degrés

AC-30BT1
tube de brûleur
avant



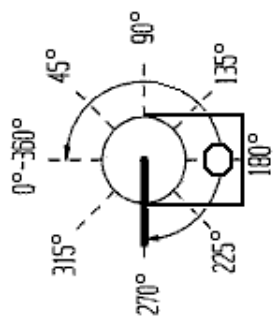
Les trous du 2e **Trous**
tube font face à .1875 , 3/16
255 degrés

AC-30BT2
2ème Tube



Les trous du 3e **Trous**
tube font face à .1625 , 5/32
275 degrés

AC-30BT3
3ème Tube



Les trous du 4e **Trous**
tube font face à .1625 , 5/32
270 degrés

AC-30BT4
tube de brûleur
arrière

(Vue latérale des tubes)

Positionnement des tubes de brûlage en inox pour tous les modèles de poêles 30-NC, 50-SNC30 et 50-TNC30.

CRÉOSOTE

Quand du bois brûle lentement, il produit du goudron et d'autres vapeurs organiques. Ceux-ci se combinent avec l'humidité pour former de la créosote. Les vapeurs de créosote se condensent dans le conduit de fumée d'une cheminée à feu lent, où il fait relativement froid – de ce fait, les résidus de créosote s'accumulent sur la gaine du conduit de fumée. Si elle s'enflamme, cette créosote cause un feu extrêmement chaud. La cheminée doit être inspectée régulièrement pendant la saison de chauffage, pour vérifier l'absence d'un dépôt de créosote. S'il y en a, la créosote doit être ramonée pour réduire le risque d'un feu de cheminée.

ATTENTION DANGER : RAPPELEZ-VOUS CES ACTIONS EN CAS DE FEU DE CHEMINÉE :
1. FERMEZ LA COMMANDE DE TIRAGE 2. APPELEZ LES POMPIERS

MOYENS D'EMPÊCHER LA FORMATION DE CRÉOSOTE

1. Laissez le feu brûler avec le régulateur d'air ouvert à fond pendant plusieurs minutes, à de nombreuses reprises chaque jour pendant la saison de chauffage, en veillant à ne pas laisser le feu s'emballer. Cette action doit éliminer le petit film de créosote qui s'accumule pendant les périodes de feu au ralenti.
2. Ouvrez la commande de tirage à fond pendant 20-30 minutes à chaque fois que vous mettez une charge de bois frais dans le poêle. Ceci permet au bois de se transformer en charbon de bois plus vite, et consomme les vapeurs de bois, qui sans cela se déposeraient dans le circuit.
3. **N'UTILISEZ QUE DU BOIS SEC.** Évitez de brûler du bois humide ou vert. Du bois sec est du bois qui a séché pendant au moins un an.
4. Un petit feu chaud est préférable à un grand feu couvant, qui déposerait de la créosote dans le circuit.
5. Établissez une routine pour la technique d'allumage, de chargement du bois et de brûlage. Vérifiez tous les jours l'absence de créosote jusqu'à ce que l'expérience vous indique à quelle fréquence le ramonage est nécessaire pour rester en sécurité. N'oubliez pas que plus un feu est chaud, moins il se dépose de créosote, et qu'il peut y avoir besoin de faire un nettoyage par semaine en période de températures moyennes, alors qu'un nettoyage mensuel peut suffire pendant les mois les plus froids. Prenez contact avec le service d'incendie local pour tous renseignements sur la manière de traiter un feu de cheminée, et ayez un plan bien compris de lutte en cas de feu de cheminée.

ÉLIMINATION DES CENDRES

Inspectez régulièrement l'accumulation de cendres dans votre poêle et retirez-les le cas échéant. Pour retirer les cendres du poêle, les extraire des briques réfractaires avec une pelle. Ce poêle est muni d'une plaque cendrier (voir l'illustration 4) qui peut être retirée; une fois retirée, on peut faire tomber les cendres dans le bac à cendres par l'ouverture.

MISE EN GARDE : La plaque cendrier peut être extrêmement chaude !!! N'enlevez jamais de cendres chaudes encore rouges de cet appareil; laissez les cendres refroidir avant de les faire tomber dans le bac à cendres. Les cendres doivent être mises dans un récipient en métal avec un couvercle étanche. Ces cendres doivent être mises sur une surface non combustible, complètement à l'écart de tous matériaux combustibles. Les cendres doivent rester dans le récipient étanche jusqu'à ce qu'elles aient complètement refroidi.

IMPORTANT : CONSEIL ET ASTUCES UTILES

1. Quelle est la bonne manière d'allumer un feu ?

- Vous aurez besoin de petits morceaux de bois (bois d'allumage) et de papier. N'utilisez que du papier journal ou du papier non glacé, ou sur lequel rien n'a été collé ou appliqué. N'utilisez jamais de papier glacé ou coloré (prospectus publicitaires, entre autres).
- Ouvrez la porte du poêle.
- Froissez plusieurs morceaux de papier, et mettez-les au milieu du foyer, directement sur les briques réfractaires du poêle. Ne surélevez jamais le feu à l'aide d'une grille.
- Mettez de petits morceaux de bois (bois d'allumage) sur le papier, en forme de « tipi ». Ceci permet une bonne circulation de l'air, ce qui est importante pour une bonne combustion.
- Allumez le papier froissé à deux ou trois endroits différents. REMARQUE : Il est important de réchauffer l'air dans le tuyau du poêle pour amorcer le tirage.
- Ouvrez à fond le régulateur d'air du poêle à bois, et fermez sa porte en la laissant **légèrement** entrouverte, pour permettre à l'air de pénétrer dans le foyer. Ne laissez jamais la porte complètement ouverte, car il y a des risques d'étincelles provenant du petit bois, qui risqueraient de causer des blessures. Au fur et à mesure que le petit bois commence à brûler, il peut falloir en ajouter pour alimenter le feu. **N'AJOUTEZ PAS** de papier après que le feu ait commencé à brûler.
- Une fois que le bois d'allumage a commencé à brûler, commencez à ajouter de petits morceaux de bois de chauffage sec. REMARQUE : Si vous ajoutez de gros morceaux au début du feu, cela l'étouffera. Continuez d'ajouter de petits morceaux de bois sec, en laissant la porte légèrement entrouverte jusqu'à ce que chaque morceau soit enflammé. N'oubliez pas de toujours ouvrir la porte lentement quand vous rajoutez du bois dans le feu.
- Une fois que le bois a commencé à brûler et que la fumée a diminué, fermez complètement la porte du poêle. (La réduction de la fumée est un bon indicateur que le tirage a commencé dans la cheminée, et qu'une bonne combustion est désormais possible.) Vous pouvez maintenant ajouter de gros morceaux de bois sec, quand il y a suffisamment de place pour eux dans le foyer. Régler le régulateur d'air à l'ouverture désirée.
- REMARQUE : Moins le régulateur d'air est ouvert, plus longtemps le bois brûlera.

2. Quel est le meilleur type de bois de chauffage ?

- Il est préférable d'utiliser du bois de chauffage bien sec. Évitez le bois vert, non séché. Le bois vert, en plus du fait qu'il ne contient que 60 % de la valeur calorifique du bois sec, déposera de la créosote à l'intérieur du poêle et de la cheminée.

3. Qu'est-ce que vous voulez dire par bois sec, et qu'est-ce qu'on entend par bois dur ?

- On considère que du bois sec est du bois ayant séché pendant un an à un endroit à l'abri et bien aéré. Le bois dur provient généralement d'arbres à la croissance lente, par exemple le chêne ou le sapin. Le bois tendre provient généralement d'arbres à croissance rapide, par exemple le pin ou l'épicéa.

4. Est-ce que je réussirai à avoir un feu parfait à chaque fois en suivant le mode d'emploi ci-dessus ?

- Une bonne réponse est « la plupart du temps ». Il y a de nombreuses variables qui jouent sur votre taux de réussite à allumer un feu, et c'est l'expérience qui vous enseignera comment traiter ces variables. Cette section du manuel couvrira quelques-unes des variables qui peuvent avoir un effet sur un feu, et le temps, ainsi que la patience contribueront à votre capacité à allumer un bon feu de manière constante.

5. Pourquoi est-ce que je ne peux pas allumer le feu ?

- Du bois humide ou mouillé, et un mauvais tirage, sont les causes principales des mauvais résultats à l'allumage d'un feu. Rappelez-vous de toujours vous servir de bois sec pour faire du feu. Même si le bois a séché pendant longtemps, il s'allumera difficilement s'il est mouillé.

6. Pourquoi est-ce qu'il y a toujours une grande quantité d'épaisse fumée noire dans le foyer ?

- Une grande quantité d'épaisse fumée noire dans le foyer indique un mauvais tirage possible.

7. Est-ce qu'il est normal que la vitre soit couverte de suie au début d'un feu ?

- Ce poêle est équipé d'un système épurateur d'air qui aide à garder la vitre propre quand le foyer a atteint une bonne température de fonctionnement, et qu'il y a aussi un bon tirage. Ce sont une température froide du foyer et un mauvais tirage qui causent la formation de suie sur la vitre. Une fois que la température du foyer et le tirage augmentent, la suie doit se dissiper.

8. Qu'est-ce que c'est que le « tirage » ?

- Le tirage est la capacité de la cheminée à évacuer les sous-produits engendrés pendant le processus normal de combustion.

9. Qu'est-ce qui cause un mauvais tirage ?

- Plusieurs facteurs peuvent contribuer à un mauvais tirage :
 - A. La pression atmosphérique et l'alimentation en air
 - B. La pression atmosphérique ayant une incidence sur le tirage de cheminée peut provenir de l'extérieur du domicile, de l'intérieur de celui-ci ou à la fois de l'intérieur et de l'extérieur. À l'extérieur du domicile, une haute pression (temps dégagé et frais) suscite un meilleur tirage dans la cheminée qu'une basse pression (temps couvert et humide). À l'intérieur du domicile, des appareils ménagers, comme des fournaies à air pulsé, des ventilateurs aspirants ou des sècheuses peuvent expulser de l'air nécessaire pour alimenter un feu et créer une condition connue sous le nom de pression négative. Des conditions extrêmes de pression négative peuvent causer l'infiltration dans la maison de sous-produits de combustion provenant de la cheminée. Cette condition est communément appelée « courant ascendant. »
 - C. Plusieurs facteurs peuvent avoir une incidence sur la quantité d'air disponible dans le domicile. Une isolation plus importante, des fenêtres de vinyle, un calfeutrage supplémentaire en plusieurs endroits et des joints d'étanchéité des portes peuvent emprisonner la chaleur, mais aussi rendre le domicile trop étanche. Si vous n'êtes pas certain si la quantité d'air dans le domicile est suffisante ou pas, évitez d'utiliser ces appareils connus pour consommer de l'air dans la mesure du possible ou ouvrez une porte ou une fenêtre pour permettre à l'air d'entrer dans le domicile. **FOURNISSEZ TOUJOURS UN APPORT EN AIR FRAIS DANS LA PIÈCE OÙ L'UNITÉ EST INSTALLÉE. LE NON-RESPECT DE CETTE DIRECTIVE PEUT PRIVER LES AUTRES APPAREILS DE COMBUSTION D'AIR ET CRÉER DES SITUATIONS SUSCEPTIBLES D'ÊTRE DANGEREUSES.**
 - D. Conditions environnementales
 - E. De grands arbres, une maison en contrebas (dans une vallée, par exemple), des immeubles ou des constructions élevés autour de chez vous, voire un temps venteux, peuvent causer un mauvais tirage ou une rupture de tirage.
 - F. Cheminée froide
 - G. Évitez une cheminée froide en faisant brûler un feu chaud pendant les quinze à quarante premières minutes après avoir allumé le feu, en veillant à ne pas le laisser s'emballer. Si une partie quelconque de la cheminée, ou des parties du poêle se mettent à briller, le poêle est emballé. Quand c'est possible, installez un thermomètre sur la cheminée, afin de pouvoir voir les baisses de la température.
 - H. Installation et entretien de la cheminée
 - I. Évitez d'utilisez trop de coudes ou de longues parties horizontales. En cas de doute, prenez contact avec un spécialiste en cheminées et (ou) un fabricant de cheminées pour obtenir de l'aide. Nettoyez votre cheminée, son (ses) chapeau(x) et spécialement le pare-étincelles régulièrement, afin d'éviter les accumulations de créosote; celles-ci peuvent réduire sensiblement le tirage dans la cheminée, voire causer un feu de cheminée.

10. Est-ce que je dois ouvrir le régulateur d'air à fond quand j'éteins le poêle ?

- Quand vous éteignez le poêle, ouvrez le régulateur d'air à fond. Ceci permettra aux températures dans la cheminée de rester aussi élevées que possible aussi longtemps que possible. N'oubliez pas que ce sont les basses températures dans la cheminée qui sont à l'origine de la créosote.

REMARQUE : Cette section est prévue comme aide, et ne remplace aucune exigence locale, d'un état ou autres. Vérifiez auprès des autorités dont vous dépendez si vous avez la moindre question.

LISTE DE PIÈCES, D'ACCESSOIRES ET D'OPTIONS

(Les options et les garnitures (*laiton et nickel, par ex.*) peuvent être changées pour le décor. Vous pouvez également commander des portes et des pieds dorés pour remplacer la porte et le piédestal, ou les pieds de série, existants.)

PIÈCES DE RECHANGE

AC-G30	JEU DE VITRE DE PORTE AVEC JOINT
AC-GGK	JOINT DE VITRE DE PORTE (joint seul, sans vitre)
AC-DGKNC	JEU DE JOINT DE PORTE (joint en corde de fibres de verre à haute densité)
AC-SB	BRIQUE RÉFRACTAIRE DE 9 X 4 X 1 ¹ / ₄ po (voir le schéma d'implantation des briques)
AC-SB2	BRIQUE RÉFRACTAIRE DE 4 X 2 X 1 ¹ / ₄ po (voir le schéma d'implantation des briques)
AC-SB2,5	BRIQUE RÉFRACTAIRE DE 4 X 2 ¹ / ₂ X 1 ¹ / ₄ po (voir le schéma d'implantation des briques)
AC-30BT1	TUBE DE BRÛLEUR AVANT
AC-30BT2	DEUXIÈME TUBE DE BRÛLEUR (à partir de l'avant)
AC-30BT3	TROISIÈME TUBE DE BRÛLEUR (à partir de l'avant)
AC-30BT4	TUBE DE BRÛLEUR ARRIÈRE
AC-30CFB	PANNEAU EN FIBRES DE CÉRAMIQUE (2)
AC-SH	POIGNÉE À RESSORT DE PORTE (LAITON)
AC-SHN	POIGNÉE À RESSORT DE PORTE (NICKEL)
AC-SH4	POIGNÉE À RESSORT (LAITON) DU RÉGULATEUR D'AIR
AC-SH4N	POIGNÉE À RESSORT (NICKEL) DU RÉGULATEUR D'AIR
AC-03	POIGNÉE DE BAC À CENDRES (LAITON)
AC-03BN	POIGNÉE DE BAC À CENDRES (NICKEL)
AC-MCSP	PEINTURE CHARBON DE BOIS HAUTE-TEMPÉRATURE
AC-MBSP	PEINTURE NOIRE HAUTE-TEMPÉRATURE

OPTIONS

AC-30	SOUFFLANTE D'AIR POUR LA PIÈCE
AC-30SHSB	SYSTÈME D'ÉCRANS THERMIQUES LATÉRAUX (NOIRS)
AC-116	BAGUE DE GARNITURE (LAITON) POUR PORTE (MODÈLES « P » ET « L » UNIQUEMENT)
AC-116BN	BAGUE DE GARNITURE (NICKEL) POUR PORTE (MODÈLES « P » ET « L » UNIQUEMENT)
AC-115	GARNITURE DE LÈVRE (LAITON)
AC-115BN	GARNITURE DE LÈVRE (NICKEL)
CA-12G	PIED DORÉ
CA-30G	PORTE DORÉ
AC-1677	ADAPTATEUR POUR BUSE

Toutes les pièces peuvent être commandées chez votre concessionnaire ou auprès de l'usine au 1-800-516-3636.

REMARQUE : Les pièces et les accessoires sont également disponible sur notre site Web : www.englishstoves.com

Si vous avez la moindre question ou problème, prenez contact avec le service clientèle.

SERVICE CLIENTÈLE

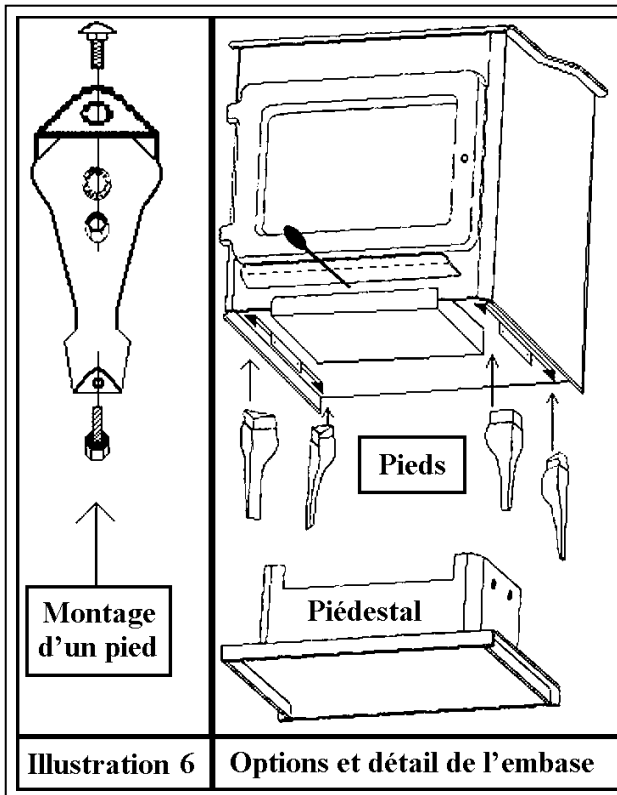
P.O. BOX 206

MONROE, VA. 24574 (États-Unis)

Questions techniques / service clientèle : (800-245-6489) (Télécopie : 434-929-4810)

Commande de pièces uniquement : (800-516-3636)

Adresse électronique : service@englishstoves.com



INSTRUCTIONS D'INSTALLATION POUR

LES PIEDS OU LE PIÉDESTAL :

(Le poêle doit obligatoirement avoir refroidi et toutes les cendres avoir été nettoyées)

* Enlevez les briques, débranchez le conduit de fumée et mettez le poêle sur l'arrière.

* Si vous remplacez des pieds ou un piédestal existants, détachez les pieds ou le piédestal.

Pour installer des pieds :

1. Chaque pied rentre dans une fente à chaque angle du dessous du poêle.
2. Un boulon de carrosserie de 3/8 po x 1-1/2 po, ainsi qu'un écrou correspondant, sont livrés avec chaque pied. Mettez un pied dans une fente, et alignez le trou du pied avec le trou de la fente. Fixez les pieds, un à la fois, à l'aide des boulons et écrous fournis. Bloquez solidement.

Pour installer un piédestal :

1. Mettez les entretoises (fournies) entre les fentes du poêle et l'embase du piédestal (une entretoise passe de chaque côté du piédestal). Alignez les quatre trous du piédestal (2 de chaque côté) avec les trous des entretoises et les fentes du poêle.
2. Utilisez les quatre boulons de carrosserie de 3/8 po x 1-1/2 po et les écrous (fournis) pour fixer le piédestal à l'embase du poêle. Bloquez solidement.

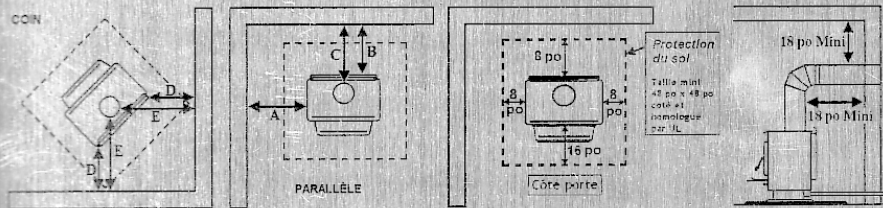
* Après avoir fixé les pieds ou le piédestal, remettez le poêle debout, rebranchez le conduit de fumée et remettez les briques conformément au manuel.



MODÈLE 30-NC 50-SNC30 50-TNC30
 APPAREIL HOMOLOGUÉ DE CHAUFFAGE AUTONOME À COMBUSTIBLE
 SOLIDE, AUSSI UTILISABLE DANS LES MAISONS MOBILES (MODÈLE SUR
 SOCLE UNIQUEMENT)
 TESTÉ À UL 1482, ULC S627

PRÉVENIR LES INCENDIES - INSTALLER ET UTILISER UNIQUEMENT SELON LE MANUEL DU PROPRIÉTAIRE JOINT À CET APPAREIL. COMMUNIQUER AVEC LE SERVICE LOCAL DE LA CONSTRUCTION OU LE SERVICE D'INCENDIE RELATIVEMENT AUX RESTRICTIONS ET AUX INSPECTIONS DE L'INSTALLATION DANS VOTRE QUARTIER.

EXIGENCES D'INSTALLATION - NE PAS RACCORDER CET APPAREIL À UN CONDUIT DE CHEMINÉE QUI SERT À UN AUTRE APPAREIL. UTILISER UNE CHEMINÉE EN MAÇONNERIE DE TYPE RÉSIDENTIEL OU FABRIQUÉE EN USINE ET CLASSÉE TYPE HT. UTILISER UN RACCORD DE CHEMINÉE NOIR OU BLEU/ CALIBRE 24 MSG OU OU À DOUBLE PAROI HOMOLOGUÉ. CONSULTER LES CODES LOCAUX ET LES DIRECTIVES DU FABRICANT RELATIVEMENT AUX PRÉCAUTIONS À PRENDRE POUR PASSER UNE CHEMINÉE À TRAVERS UN MUR OU UN PLAFOND COMBUSTIBLE. POSER SUR UNE PROTECTION NON COMBUSTIBLE DE PLANCHER D'UNE VALEUR R MINIMALE DE 1,5, QUI SE PROLONGE 406 mm (16 po) VERS L'AVANT ET 203 mm (8 po) DE CHAQUE CÔTÉ DE L'OUVERTURE POUR LE COMBUSTIBLE. IL FAUT INSTALLER LES PATTES APRÈS L'APPAREIL. NE PAS ENCOMBRER L'ESPACE SOUS L'APPAREIL DE CHAUFFAGE. SUIVRE LES ESPACEMENTS MINIMAUX SUIVANTS AUX COMBUSTIBLES LORS DE L'UTILISATION D'UN RACCORD DE CHEMINÉE À PAROI SIMPLE. CONSULTER LE MANUEL DU PROPRIÉTAIRE POUR D'AUTRE INFORMATION.



ESPACEMENT AUX MATIÈRES COMBUSTIBLES (VOIR L'ILLUSTRATION CI-DESSUS)

ESPACEMENTS DE L'APPAREIL	SURFACES NON PROTÉGÉES			SURFACES PROTÉGÉES (NFPA-211)		
	CÔTÉ (A)	ARRIÈRE (B)	COIN (D)	CÔTÉ (A)	ARRIÈRE (B)	COIN (D)
SANS ÉCRANS DE CHALEUR	508 mm (20 po)	356 mm (14 po)	381 mm (15 po)	305 mm (12 po)	305 mm (12 po)	305 mm (12 po)
ÉCRANS LATÉRAUX ET ARRIÈRE, RACCORD DE CHEMINÉE À SIMPLE PAROI	533 mm (21 po)	203 mm (8 po)	356 mm (14 po)	305 mm (12 po)	203 mm (8 po)	305 mm (12 po)
ÉCRANS LATÉRAUX ET ARRIÈRE, RACCORD À DOUBLE PAROI	508 mm (20 po)	127 mm (5 po)	356 mm (14 po)	305 mm (12 po)	127 mm (5 po)	305 mm (12 po)
NOTE: RACCORD DU CONDUIT AU MUR ARRIÈRE (C):	1. RACCORD À PAROI SIMPLE AVEC ÉCRAN ARRIÈRE = 406 mm (16 po) 2. RACCORD À PAROI SIMPLE AVEC ÉCRANS ARRIÈRE ET LATÉRAUX = 245 mm (10 po) 3. RACCORD À PAROI DOUBLE AVEC ÉCRANS ARRIÈRE ET LATÉRAUX = 178 mm (7 po)					
NOTE: RACCORD DU CONDUIT AU COIN (E):	1. RACCORD À PAROI SIMPLE AVEC ÉCRAN ARRIÈRE = 521 mm (20,5 po) 2. RACCORD À PAROI SIMPLE AVEC ÉCRANS ARRIÈRE ET LATÉRAUX = 495 mm (19,5 po)					

CERTIFIÉ PAR L'AGENCE DE PROTECTION ENVIRONNEMENTALE SOUS 40 CFR 60.533(H) AVEC NORMES D'ÉMISSIONS DE PARTICULES DE JUILLET 1990

EXIGENCES POUR L'UTILISATION - COMBUSTIBLE SOLIDE DE BOIS NE PAS SURCHAUFFER. SI LE POËLE OU LE RACCORD DE CHEMINÉE ÉMET UNE LUEUR, C'EST QUE VOUS SURCHAUFFEZ. INSPECTER ET NETTOYER FRÉQUEMMENT LA CHEMINÉE. DANS CERTAINES CONDITIONS D'UTILISATION LE DÉPÔT DE CREOSOTE PEUT SE FAIRE RAPIDEMENT. NE PAS UTILISER DE GRILLE OU SURÉLEVER LE FEU. BRÛLER LE BOIS DIRECTEMENT SUR L'ÂTRE RISQUE DE FUMÉE ET FUITE DE FLAMMES. UTILISER UNIQUEMENT AVEC LES PORTES DU FOYER DE RAMONAGE COMPLÈTEMENT FERMÉES.



ATTENTION:

CHAUD LORSQU'IL FONCTIONNE. NE PAS TOUCHER. TENIR À L'ÉCART LES ENFANTS, LES VÊTEMENTS ET LE MOBILIER. LE CONTACT PEUT CAUSER DES BRÛLURES DE LA PEAU. VOIR LA PLAQUE SIGNALÉTIQUE ET LES DIRECTIVES

FABRIQUÉ PAR: ENGLAND'S STOVE WORKS, INC. MONROE, VA 24574

Gardez ces renseignements à portée de la main si vous téléphonez à l'usine ou à votre concessionnaire à propos de ce produit.

À conserver pour vos fichiers :

Modèle numéro _____

Date d'achat _____

Date de fabrication _____ **Numéro de série** _____

GARANTIE LIMITÉE DE 5 ANS **À PARTIR DE LA DATE D'ACHAT EN FAVEUR DU PROPRIÉTAIRE ORIGINAL**

Le fabricant étend les garanties ci-dessous :

Période de cinq ans :

1. Les éléments en acier au carbone et les soudures dans le foyer sont couverts pendant 5 ans contre les fissures.
2. La porte, le fermoir et les charnières en fonte sont couverts pendant 5 ans contre les fêlures.

Période de un an :

3. Les composants comme les tubes et les pattes de fixations de briques en inox, par exemple, sont couverts pendant 1 an contre les fissures, les casses et la séparation des soudures.
4. La cloison en panneau de fibres céramiques, les composants électriques, les accessoires, le verre et la surface peinte sont couverts pendant 1 an à compter de la date de l'achat.

Conditions et exclusions :

Les dégâts causés par un emballage annulent votre garantie.

La présente garantie est inapplicable aux dégâts provenant d'accidents, de mauvaise manutention, de mauvaise installation, de fonctionnement incorrect ou de réparations, ou de tentatives de réparation, non autorisées.

Le fabricant n'est pas responsable des dommages-intérêts immatériels, indirects ou accessoires liés au produit, y compris les éventuels coûts ou dépenses de fourniture d'un équipement ou service de remplacement pendant les périodes de dysfonctionnement ou de non utilisation.

Toute responsabilité pour les éventuels préjudices indirects de violation d'une garantie écrite ou implicite est déclinée et exclue. Certains états n'autorisent pas l'exclusion ou les limites des dommages-intérêts accessoires; de ce fait, il se peut que les limites ci-dessus ne s'appliquent pas à vous.

Procédure :

L'acheteur doit obligatoirement prévenir du sinistre ou du défaut pendant la période de garantie et payer les frais de transport (aller et retour) jusqu'au centre de service désigné par l'usine. À notre choix, c'est le concessionnaire à qui l'appareil a été acheté ou l'usine qui effectuera le service en garantie.

Autres droits :

La présente garantie vous donne des droits légaux spécifiques, et il se peut que vous ayez d'autres droits qui peuvent varier d'un état à un autre.

REMARQUE : LA PRÉSENTE GARANTIE EST NULLE ET NON AVENUE SI VOUS NE RENVOYEZ PAS LE FORMULAIRE D'ENREGISTREMENT DE LA GARANTIE CI-JOINT, AVEC UNE COPIE DE LA FACTURE DANS LES 30 JOURS SUIVANT LA DATE DE L'ACHAT.

LA GARANTIE N'EST PAS TRANSFÉRABLE.

FORMULAIRE D'ENREGISTREMENT DE GARANTIE pour England's Stove Works

Acheté par (nom) _____

Adresse _____

Ville _____ État/Province _____ Code Postal _____

Téléphone _____

Adresse de courrier électronique _____

INFORMATIONS SUR LE CONCESSIONNAIRE

Acheté à (concessionnaire) _____

Adresse _____

Ville _____ État/Province _____ Code Postal _____

RENSEIGNEMENTS SUR L'APPAREIL

(Assurez-vous que vous faites référence à l'autocollant à l'arrière de l'appareil ou sur la boîte pour remplir la section ci-dessous)

Modèle numéro _____ Date d'achat _____

Prix d'achat _____

Numéro de série _____ Date de fabrication _____

Comment avez-vous entendu parler de notre produit ? (veuillez cocher une réponse)
 Bouche-à-oreille Démonstration de la remorque Internet

Autre : _____

Où avez-vous reçu des renseignements au sujet de notre produit ? (veuillez cocher une réponse)

Rens. reçus par téléphone Concessionnaire (nom du concessionnaire) : _____

Internet Autre : _____

REMARQUE IMPORTANT :

CES RENSEIGNEMENTS DOIVENT OBLIGATOIREMENT ÊTRE ENREGISTRÉS POUR QUE LA PRÉSENTE GARANTIE SOIT VALABLE. VEUILLEZ ENVOYER CES RENSEIGNEMENTS DANS LES TRENTE (30) JOURS SUIVANT LA DATE DE L'ACHAT.

Envoyer à :
England's Stove Works, Inc.
Customer Service Department
P.O. Box 206
Monroe, VA. 24574 (É.-U.)

Ou bien envoyez par télécopie au :
(434) 929-4810 – 24 heures par jour

Ou encore, disponible dès maintenant – Vous pouvez remplir votre garantie sur Internet !

Allez sur www.englishstoves.com si vous préférez vous enregistrer sur Internet.

Respecte les limites d'émission de 2015 établies par l'Environmental Protection Agency des États-Unis en fonction de tests effectués à l'aide de combustible préassemblé (« crib wood ») pour les poêles à bois vendus après le 15 mai 2015.

RENSEIGNEMENTS SUR L'EPA

Les ajouts suivants à votre guide d'utilisation vous permettront de réduire au minimum les émissions produites par votre poêle à bois. Des conseils de sécurité importants vous sont également présentés.

- *Installation adéquate* – Veuillez consulter la section sur l'installation de votre guide d'utilisation et suivre les directives énoncées afin d'assurer la sécurité et de réduire au minimum les émissions.

Renseignements supplémentaires :

Généralités sur la ventilation :

Tirage : Le tirage désigne la force qui déplace l'air de l'appareil jusque dans la cheminée. La puissance du tirage dans votre cheminée dépend de la longueur de la cheminée, de la géographie locale, des obstructions à proximité et d'autres facteurs. Un tirage trop élevé peut entraîner des températures trop élevées dans l'appareil et endommager la chambre de combustion catalytique. Un tirage inadéquat peut entraîner un refoulement de fumée dans la pièce et obstruer la cheminée ou le catalyseur.

Un tirage inadéquat entraînera des fuites de fumée dans la pièce par les joints de raccord de l'appareil et de la cheminée.

Un taux de combustion incontrôlable ou une température trop élevée indique un tirage excessif. Soyez conscient de l'emplacement de l'installation : un refoulement et d'autres problèmes de qualité de l'air peuvent survenir dans les vallées ou si l'appareil est installé à proximité d'habitations voisines.

Ce poêle à bois utilise un système de tirage naturel dans lequel le système de cheminée tire l'air dans le poêle. Cet appareil doit être installé conformément aux techniques de ventilation décrites en détail ci-après. Le non-respect des détails mentionnés pourrait réduire son rendement et causer des dommages matériels, des blessures ou la mort. Évitez d'avoir recours à des expédients lors de l'installation du système de ventilation. England's Stove Works n'est pas responsable des dommages causés par une installation incorrecte ou non sécuritaire.

Assurez-vous de bien suivre toutes les instructions du fabricant relatives au système de ventilation, surtout par rapport aux distances minimales nécessaires avec les matières combustibles. Assurez-vous également d'utiliser un écran antirayonnement de grenier afin d'éviter que l'isolant entre en contact avec une cheminée qui traverse un grenier.

Le système de cheminée est le « moteur » du poêle à bois. Il est donc essentiel que le système de ventilation soit installé exactement selon la description indiquée dans la section suivante afin d'assurer un fonctionnement adéquat de l'appareil.

Pour toute question relative à l'installation sécuritaire du poêle, appelez notre service de soutien technique au 1 800 245-6489. Communiquez avec un agent responsable local afin de vous assurer que l'installation est conforme aux exigences municipales et nationales en matière de prévention des incendies. Si vous n'êtes pas certain de pouvoir installer le poêle de façon sécuritaire, nous vous suggérons fortement de faire appel à un installateur local certifié par le NFI (National Fireplace Institute des États-Unis).

Consignes pour la ventilation :

- Installez **TOUJOURS** le tuyau de ventilation en respectant rigoureusement les instructions et les

indications sur les dégagements qui accompagnent le système de ventilation.

- Ne raccordez **PAS** le poêle à bois à un conduit de fumée déjà utilisé pour un autre appareil.
- N'INSTALLEZ **PAS** un régulateur de tirage ni aucun autre dispositif de réglage dans le système d'évacuation par ventilation de cet appareil.
- **UTILISEZ** un manchon d'emboîtement mural homologué pour traverser un mur et un support de plafond ou un coupe-feu pour traverser un plafond.
- **INSTALLEZ** trois vis à tôle sur chaque joint de raccord de cheminée.
- **ÉVITEZ** de trop nombreux coudes et parcours horizontaux, car ils réduiront le tirage du système de ventilation, ce qui nuira au rendement du poêle.
- **INSPECTEZ** souvent le système de ventilation afin de vous assurer qu'il ne contient pas de crésote, de cendres volantes ou d'autres obstructions.
- **NETTOYEZ** le système de ventilation comme il est décrit dans la section sur l'entretien du présent guide.
- **RESPECTEZ** la règle 10-3-2 concernant les raccordements de la cheminée.
- **INSTALLEZ** le raccord de cheminée à paroi simple avec l'extrémité mâle **vers le bas** pour éviter les fuites de crésote. Suivez les instructions du fabricant de raccords de cheminée à paroi double concernant l'installation adéquate des tuyaux.

AVERTISSEMENT : Les surfaces du système de ventilation deviennent CHAUDES et peuvent causer des brûlures si vous les touchez. Il peut être nécessaire d'utiliser un revêtement ou des grilles de protection incombustibles.

Règle 10-3-2 : Le système de cheminée doit se terminer à 0,91 m (3 pi) au-dessus du point où son axe central traverse le toit ET la cheminée doit se terminer à 0,61 m (2 pi) au-dessus de toute partie du logement dans un rayon de 3,05 m (10 pi) de la cheminée.

- *Fonctionnement et entretien* – Consultez les sections sur le fonctionnement (mode d'emploi) et l'entretien (y compris le retrait et l'élimination des cendres) de votre guide d'utilisation et suivez les directives énoncées pour assurer la sécurité et réduire au minimum les émissions.

Renseignements supplémentaires :

Respectez les instructions de votre guide d'utilisation concernant l'allumage d'un feu afin de produire un feu approprié et de réduire les émissions visibles.

Plus :

- *Alimentation en combustible et réalimentation* : Conseils pratiques pour faire un feu – Consultez votre guide d'utilisation pour obtenir des renseignements sur l'alimentation en combustible (et la réalimentation) ainsi que sur les procédures d'allumage de feu (c.-à-d., faire un feu).
- *Allumage du haut vers le bas* : L'EPA reconnaît l'efficacité de la méthode d'allumage du haut vers le bas. Vous trouverez un bon tutoriel sur cette méthode au <http://woodheat.org/top-down-steps.html>. Pour allumer un feu du haut vers le bas, assurez-vous de suivre les instructions de votre guide d'utilisation et communiquez avec le service de soutien technique si vous avez des questions.
- *Sélection du combustible* : Lorsque votre appareil de chauffage au bois est correctement installé, vous devrez utiliser un bon bois de chauffage pour allumer un feu efficace (le bon bois en quantité suffisante) ainsi que connaître de bonnes méthodes d'allumage de feu. Les étapes pratiques suivantes vous aideront à tirer le meilleur rendement de votre poêle à bois ou foyer.

- Laissez votre bois sécher à l'extérieur tout l'été pendant au moins six mois avant de le brûler. Un bois correctement séché est plus foncé, présente des fissures sur le fil d'extrémité et sonne creux lorsque vous le cognez contre un autre morceau de bois.
- Conservez votre bois à l'extérieur, bien empilé sur le sol avec une protection au-dessus.
- Ne brûlez que du bois bien sec qui a été correctement fendu.
- Pour allumer un feu, utilisez uniquement du papier journal et du bois d'allumage, comme il est mentionné précédemment dans le guide.
- Faites des feux chauds.
- Pour maintenir une ventilation adéquate, retirez régulièrement les cendres de votre appareil de chauffage au bois dans un récipient en métal doté d'un couvercle que vous conserverez à l'extérieur.

Renseignements sur l'humidimètre

- Le bois de chauffage peut être brûlé lorsqu'il a une teneur en humidité de 10 à 25 %.
- Les bûches fraîchement coupées peuvent avoir une teneur en humidité de 80 % ou plus, selon l'essence du bois. Puisque le bois rétrécit, et peut également se fendre, se tordre ou autrement changer de forme en séchant, la plupart des bois doivent être séchés avant d'être utilisés. Le séchage à l'air est la méthode la plus fréquemment utilisée pour le bois enstéré. Dans la plupart des régions des États-Unis, la teneur en humidité minimale qu'il est possible d'obtenir par un séchage à l'air est d'environ 12 à 15 %. La plupart des matériaux séchés à l'air ont une teneur en humidité avoisinant 20 % lorsqu'ils sont utilisés.
- Pour vérifier la teneur en humidité de votre bois de chauffage, enfoncez simplement les tiges dans le bois et attendez la lecture de l'humidimètre. Souvenez-vous **de ne pas enfoncer les tiges de l'humidimètre uniquement dans les extrémités du bois de chauffage**. Pour obtenir une lecture précise, fendez la bûche et faites le test au centre. Le centre de la bûche contiendra la plus forte teneur en humidité.

À quelle distance dois-je enfoncer les tiges non isolées dans le bois?

- Jusqu'à une profondeur maximale, si c'est possible. Toutefois, à des taux d'humidité inférieurs à 10 %, il est généralement suffisant de créer un contact franc avec le bois. À des taux d'humidité supérieurs, et particulièrement si l'inclinaison est grande, une pénétration complète est essentielle.

- **COMBUSTIBLES À ÉVITER :**

MISE EN GARDE

- **N'UTILISEZ JAMAIS D'ESSENCE, DE COMBUSTIBLE POUR LAMPE APPARENTÉ À L'ESSENCE, DE KÉROSÈNE, DE LIQUIDE D'ALLUMAGE POUR CHARBON, NI AUCUN LIQUIDE SIMILAIRE POUR ALLUMER OU RAVIVER UN FEU DANS CET APPAREIL DE CHAUFFAGE. CONSERVEZ DE TELS LIQUIDES ÉLOIGNÉS DE L'APPAREIL DE CHAUFFAGE LORSQUE CELUI-CI FONCTIONNE. DE PLUS, NE DISEPZ JAMAIS D'ALLUME-FEUX SUR UNE SURFACE CHAUDE NI SUR DES TISONS DANS LE POÊLE. N'UTILISEZ PAS DE PRODUITS CHIMIQUES NI DE FLUIDES**
 - **POUR ALLUMER LE FEU.**
- **NE FAITES PAS BRÛLER DE LIQUIDES INFLAMMABLES COMME DE L'ESSENCE, DU NAPHTA OU DE L'HUILE POUR MOTEUR.**
- **NE FAITES PAS BRÛLER DES DÉCHETS, DU GAZON COUPÉ OU DES RÉSIDUS DE JARDINAGE, DES MATÉRIEAUX CONTENANT DU CAOUTCHOUC, Y COMPRIS DES PNEUS, DES MATÉRIEAUX CONTENANT DU PLASTIQUE, DES DÉCHETS DE PRODUITS PÉTROLIERS, DE LA PEINTURE OU DU DILUANT À PEINTURE, DES PRODUITS BITUMINEUX, DES MATÉRIEAUX CONTENANT DE L'AMIANTE, DES DÉBLAIS OU DES DÉBRIS DE CONSTRUCTION, DES TRAVERSES DE CHEMIN DE FER OU DU BOIS TRAITÉ SOUS PRESSION, DU FUMIER OU DES RESTES D'ANIMAUX, DU BOIS DE GRÈVE IMPRÉGNÉ D'EAU SALÉE OU DES MATÉRIEAUX PRÉALABLEMENT SATURÉS EN EAU SALÉE, DES PRODUITS DE PAPIER, DU CARTON, DU CONTREPLAQUÉ OU DES PANNEAUX DE PARTICULES. L'INTERDICTION DE BRÛLER CES MATÉRIEAUX NE VOUS EMPÊCHE PAS D'UTILISER DES ALLUME-FEU À BASE DE PAPIER, DE CARTON, DE SCIURE, DE CIRE OU D'AUTRES SUBSTANCES SEMBLABLES POUR ALLUMER UN FEU DANS LE POÊLE À BOIS. LA COMBUSTION DE CES MATÉRIEAUX PEUT COMPROMETTRE L'EFFICACITÉ DU POÊLE ET PRODUIRE DE LA FUMÉE ET DES VAPEURS TOXIQUES.**

- **Pratiques de chauffage au bois sécuritaires**

Une fois que votre appareil de chauffage au bois est correctement installé, suivez ces directives pour assurer un fonctionnement sécuritaire :

- Conservez tous les articles de maison inflammables (draps, meubles, journaux et livres) loin de l'appareil.
 - Pour allumer un feu, utilisez uniquement du papier journal, du bois d'allumage et un allume-feu entièrement naturel ou biologique. N'utilisez jamais d'essence, de kérosène ou d'allumoir à charbon pour allumer un feu.
 - Ne brûlez pas de bûches humides ou vertes (non séchées).
 - N'utilisez pas de bûches faites de cire ou de sciure de bois dans votre poêle à bois, car elles sont conçues pour des foyers ouverts. Si vous utilisez des bûches fabriquées, prenez celles qui sont faites de sciure de bois compressée à 100 %.
 - Faites des feux chauds. Pour la plupart des appareils de chauffage au bois, un feu qui couve n'est ni sécuritaire ni efficace.
 - Gardez fermées les portes de votre appareil de chauffage au bois sauf pour ajouter des bûches ou alimenter le feu. Des produits chimiques nocifs, comme le monoxyde de carbone, peuvent être libérés dans votre domicile.
 - Retirez régulièrement les cendres de votre appareil de chauffage au bois dans un récipient en métal doté d'un couvercle. Rangez le récipient contenant les cendres à l'extérieur, sur une dalle de ciment ou de brique (et non pas sur une terrasse en bois ni à proximité de bois). Consultez les instructions sur le retrait des cendres dans le guide d'utilisation.
 - Gardez un extincteur d'incendie à portée de la main.
 - N'oubliez pas de consulter les prévisions locales sur la qualité de l'air avant d'utiliser votre poêle à bois.
- **Commande d'air :** CONSULTEZ VOTRE GUIDE D'UTILISATION pour obtenir plus de renseignements sur l'utilisation appropriée de la commande d'air (dans la section Fonctionnement).

- *RETRAIT DES CENDRES* – Suivez les instructions du guide d'utilisation concernant le retrait et l'élimination des cendres.
- *REMPACEMENT des pièces essentielles à un taux d'émission faible* – Suivez les instructions du guide d'utilisation concernant le remplacement des joints et des autres pièces essentielles à un taux d'émission faible.

Rappel : « Afin d'assurer le bon fonctionnement du poêle à bois, vous devez l'inspecter et le réparer périodiquement. En vertu des règlements fédéraux, il est interdit d'utiliser ce poêle à bois d'une manière non conforme au mode d'emploi indiqué dans le présent guide. »

Plus : Tubes de brûleur – Pour remplacer un tube, assurez-vous de commander le tube qui correspond à celui que vous devez remplacer. Retirez ensuite la vis située du côté gauche du tube à l'aide d'une douille ou d'une clé à fourches de 5/16 po. Assurez-vous de conserver la vis. Poussez le tube vers la droite, puis retirez-le (en ramenant le tube vers la gauche après avoir retiré ce côté de l'orifice). Pour remplacer le tube, inversez la procédure indiquée ci-dessus. Assurez-vous d'installer les tubes dans l'ordre adéquat. (Avant vers l'arrière)

- **Détecteurs de fumée**

England's Stove Works, Inc. recommande fortement l'utilisation de détecteurs de fumée dans chaque pièce de la maison. Cependant, le fait de poser un détecteur de fumée directement au-dessus de l'appareil pourrait causer des alarmes intempestives.

MISE EN GARDE

Cet appareil est conçu pour fonctionner uniquement lorsque la porte est fermée. L'utilisation du poêle avec la porte ouverte provoquerait un refoulement de fumée et une combustion lente et inefficace.

De plus, l'utilisation de combustibles interdits peut être dangereuse et produire un excès de monoxyde de carbone. Le monoxyde de carbone est un gaz mortel qui est inodore et incolore.

Il est fortement recommandé d'utiliser un détecteur de monoxyde de carbone.

- *Conformité* : « Ce poêle à bois non catalytique respecte les limites d'émission de 2015 établies par l'Environmental Protection Agency des États-Unis en fonction de tests effectués à l'aide de combustible préassemblé (« crib wood ») pour les poêles à bois vendus après le 15 mai 2015. »
- *Avertissement relatif aux modifications* : « Ce poêle à bois est doté d'un taux de combustion bas minimum réglé en usine qui ne doit pas être modifié. En vertu des règlements fédéraux, il est interdit de modifier ce réglage et d'utiliser ce poêle à bois d'une manière non conforme au mode d'emploi indiqué dans le présent guide. »
- *Garantie* : Consultez votre guide d'utilisation pour obtenir le formulaire d'enregistrement de la garantie et connaître les instructions relatives aux procédures de la garantie. Dans le cas des pièces, les procédures de remplacement au titre de la garantie se trouvent sur le site de notre magasin de pièces : www.store.heatredefined.com