



TABLE OF CONTENTS

Product Information

General Information.....	2
Lite Cut Information.....	3
Clear Opening Layout	4
Unit Sizing	5

Options

Simulated Divided Lite (SDL) & Grill Between Glass (GBG) Options.....	6
Trim Options	7
Mullion Options	8

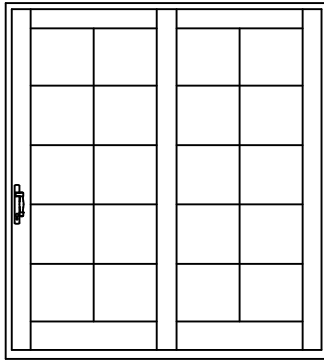
Sizing Details

1 Panel Unit Min-Max Sizing	9
Transom Unit Min-Max Sizing	10

Section Details

2 Panel:	
Vertical Section	11
Horizontal Section.....	12
w/ Sidelite Horizontal Section.....	13
Stationary:	
Vertical Section	14
Horizontal Section.....	15
Transom:	
Vertical Section	16
Horizontal Section.....	17

 GENERAL INFORMATION



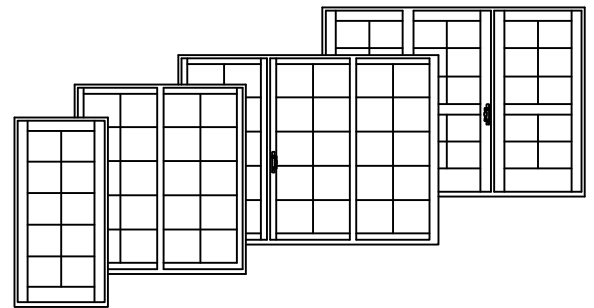
RIGHT STATIONARY

Dimensional Doors

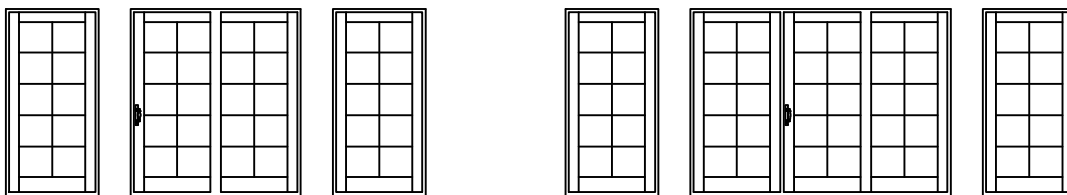
W-2500 Clad Sliding patio doors are available in single, twin, and triple doors. The standard size range includes sizes specifically designed for replacement of older patio door models in existing structures, as well as a full range of "true size" products for architectural consistency.

Operation

W-2500 Clad Sliding patio doors are available in a full range of operating and stationary styles. Single panel doors are only available as stationary (non-venting) styles. Two-panel doors are available with left or right operation. Three-panel doors are available with left and right operation and with center or end operators. Configuration and handing is based on viewing the door from the exterior.


Multiple Assemblies

W-2500 Clad Sliding patio doors are available in a wide variety of multiple panel configurations from the factory, all of which are assembled with continuous sills. Mulling of clad sliding patio doors to like products in the field is not recommended. Instead, individual factory assembled units should be installed in contiguous rough openings, in order to provide adequate framing support to assure the best performance of the door systems.



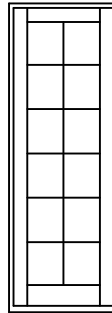


LITE CUT INFORMATION

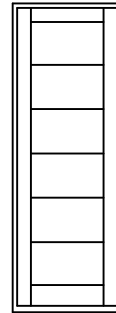
W-2500 Clad Siding patio doors are available with removable grilles in 7/8", 1-1/8" and 1-3/8" widths, with grilles between the glass (GBG), or with Simulated Divided Lites. Standard lite cuts are rectangular, and conform to the layouts noted in the charts on the next page. To use the chart, refer to the appropriate table by the type of patio door and type of bars or grilles the section drawings illustrate. Then simply cross reference the frame height and width to determine the standard lite cut.

Lite Cut Options

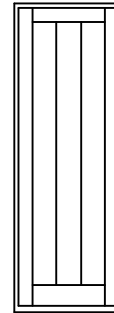
Special lite cut patterns can include a wide variety of straight line and radius patterns. The illustrations shown here represent just a few of the possibilities. Rectangular, horizontal, vertical and Prairie lite patterns are available in all standard size clad sliding patio doors.



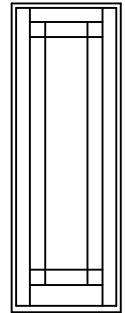
Colonial



Horizontal



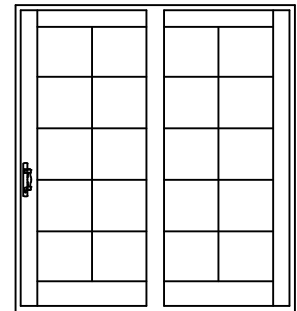
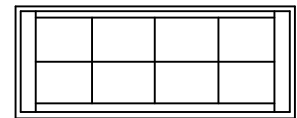
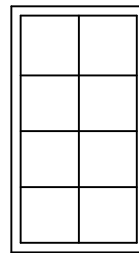
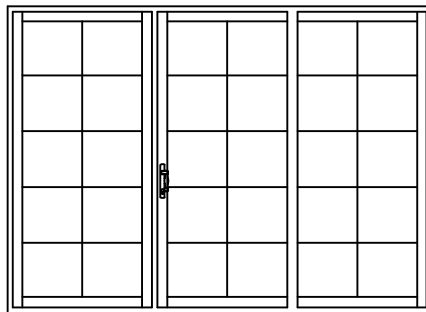
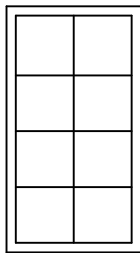
Vertical



Prairie

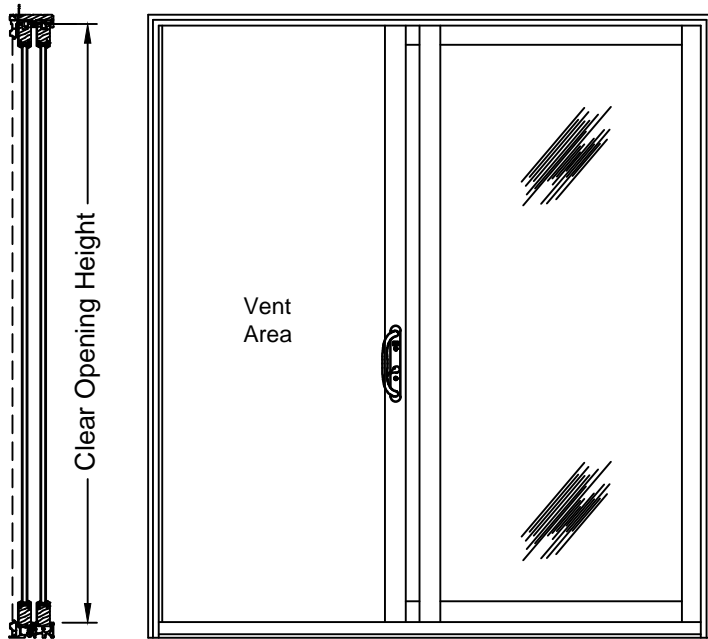
Bar Alignment

Alignment of divided lite muntin bars from one product to the next is often required by fine architectural design. Wood grilles, GBG's, and Simulated Divided Lites may be specified with muntin bars aligned.



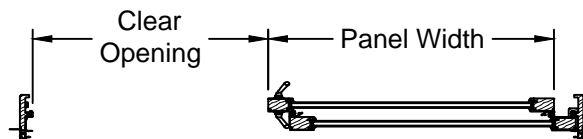


CLEAR OPENING LAYOUT



Panel Callout	Panel Width
2-6	30 1/8
3-0	36 1/8
4-0	48 1/8

Vertical Clear Opening = Frame Height - 3 21/32"
(Standard Sill)



Horizontal 2-Panel Narrow Stile
With Bumper = Frame Width / 2 - 7 5/8"
Without Bumper = Frame Width / 2 - 6 3/8"



UNIT SIZING

General Notes:

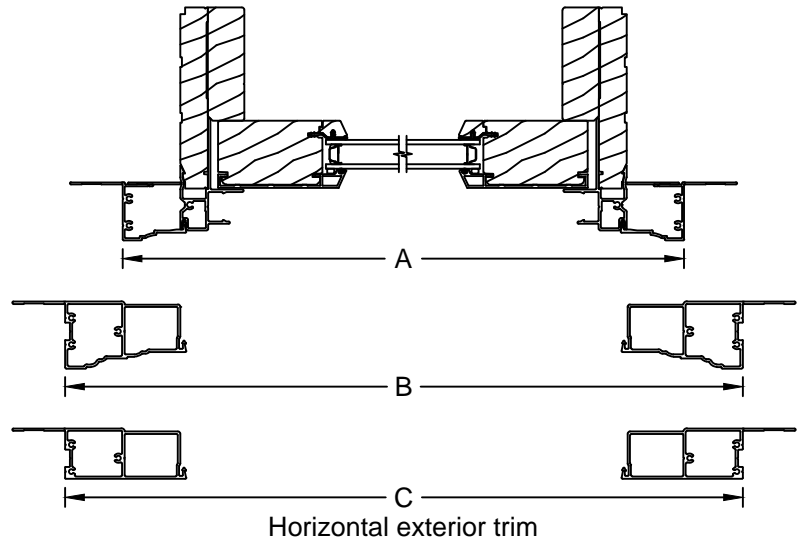
Unit size is always the maximum size of the patio door with or without trim and does not include nail fin.

Masonry Opening:

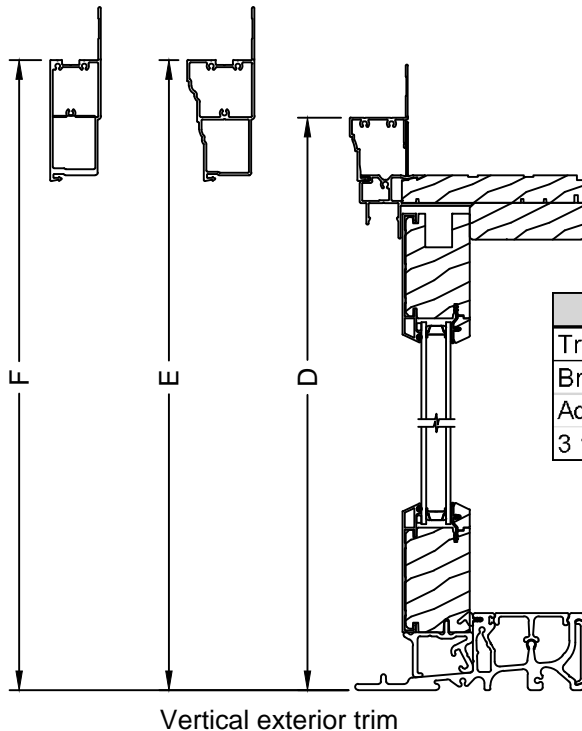
Masonry opening is always 1/2" over (height and width) the unit size or the outside of the trim of the patio door.

Rough Opening:

Rough opening is always 3/4" over frame size of the patio door.



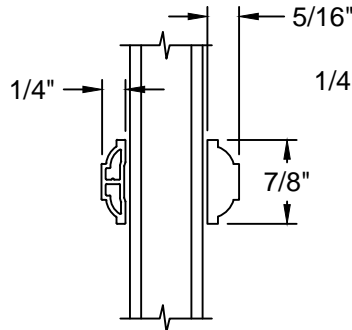
Horizontal Sections		
Trim Option	Dimension	Frame +
Brickmould	A	3"
Adams Casing	B	6"
3 1/2" Flat Casing	C	6"



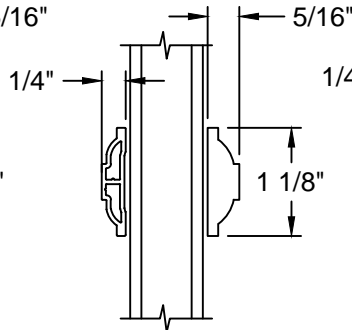
Vertical Sections		
Trim Option	Dimension	Frame +
Brickmould	D	1 1/2"
Adams Casing	E	3"
3 1/2" Flat Casing	F	3"



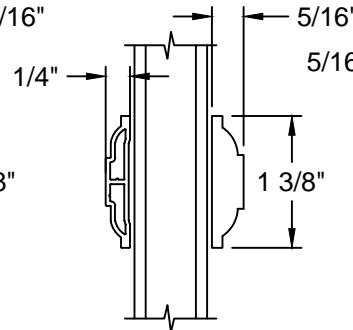
SIMULATED DIVIDED LITE (SDL) & GRILL BETWEEN GLASS (GBG) OPTIONS



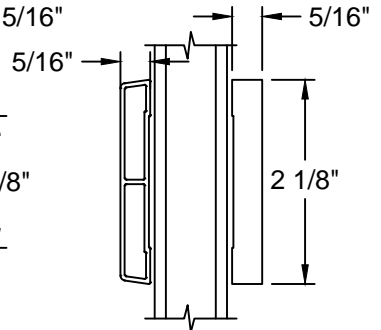
7/8" SDL



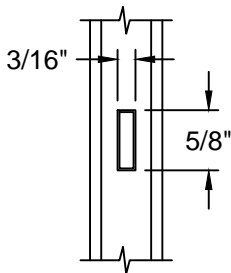
1 1/8" SDL



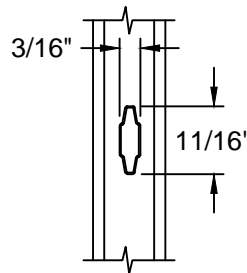
1 3/8" SDL



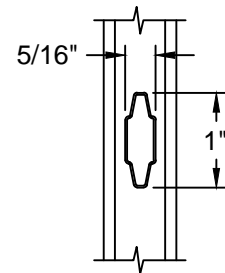
2 1/8" SDL



5/8" GBG



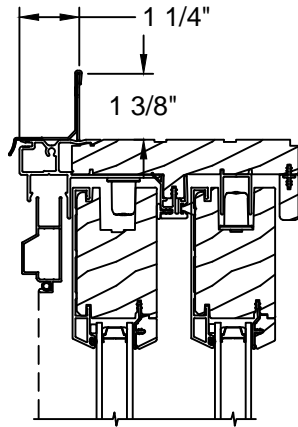
23/32" GBG



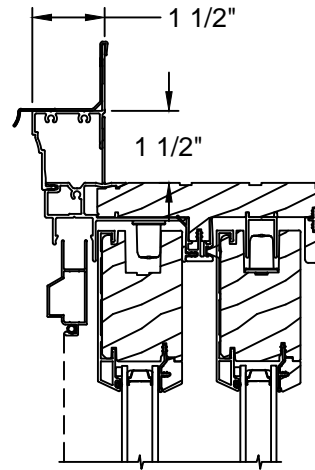
1" GBG



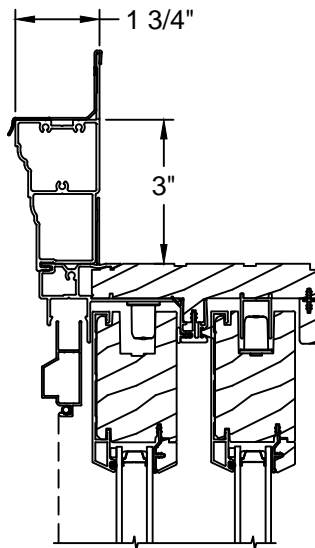
TRIM OPTIONS



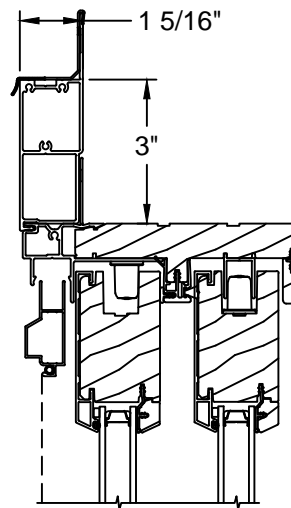
Standard



Brickmould



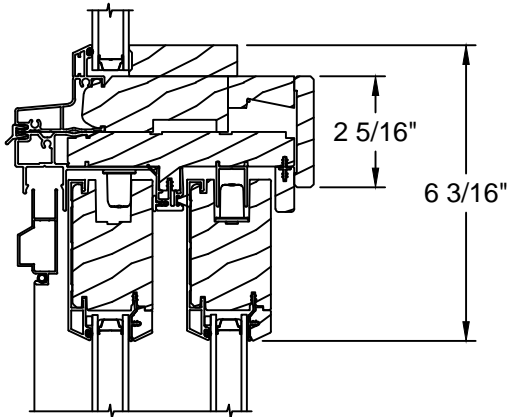
Adams Casing



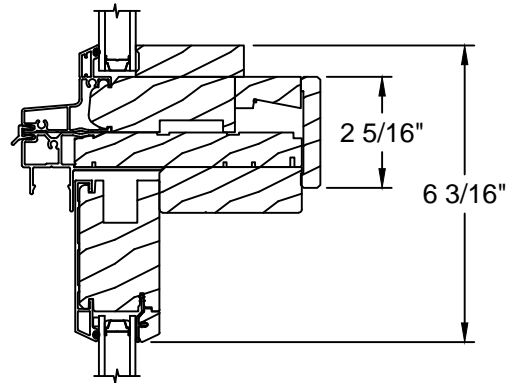
3 1/2" Flat Casing



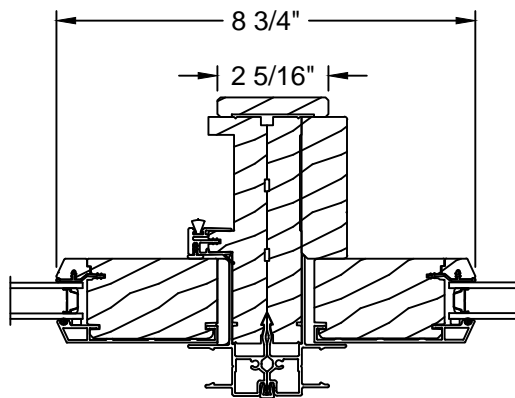
MULLION OPTIONS



Direct Set Transom over
Sliding Patio Door



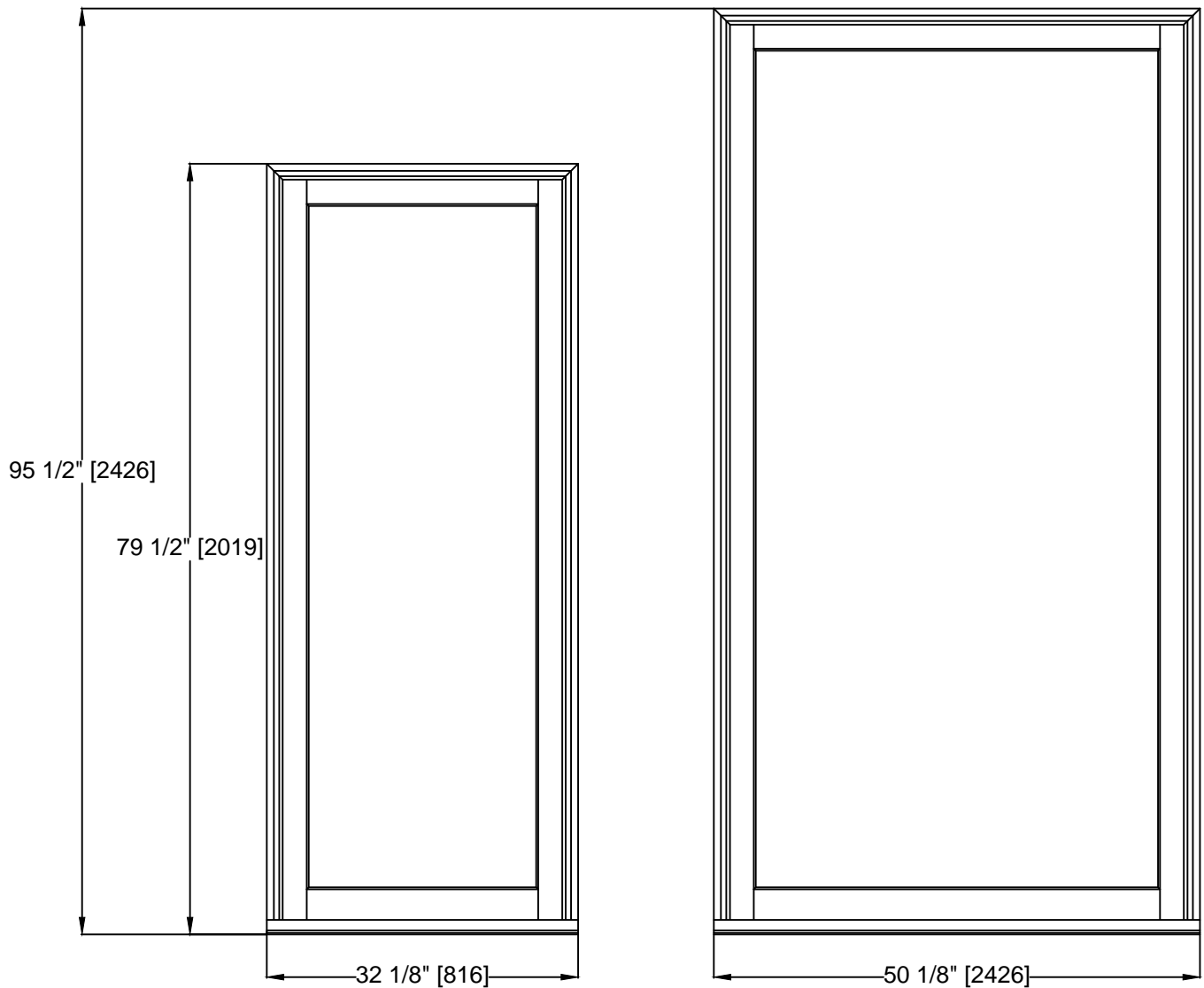
Direct Set Transom over
Stationary Panel



Sliding Patio Door next to
Stationary Panel



1 PANEL UNIT MIN-MAX SIZING

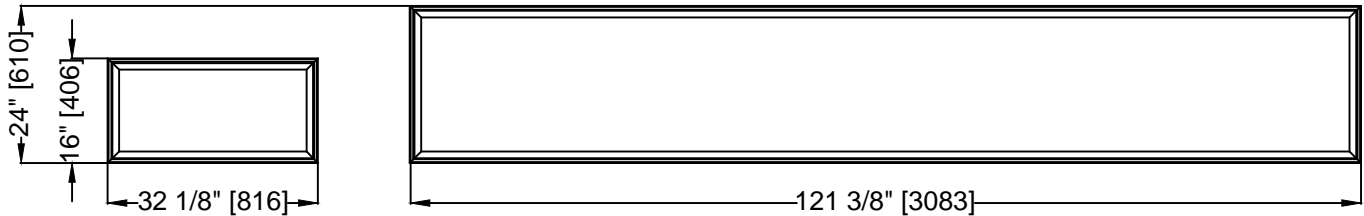


Standard widths for the W-2500 Clad Builders Sliding Patio Door 1 Panel Unit:
32 1/8"(816mm), 38 1/8"(968mm), 50 1/8"(1273mm).

Standard heights for the W-2500 Clad Builders Sliding Patio Door 1 Panel Unit:
79 1/2"(2019mm), 82"(2083mm), 95 1/2"(2426mm).



TRANSOM UNIT MIN-MAX SIZING

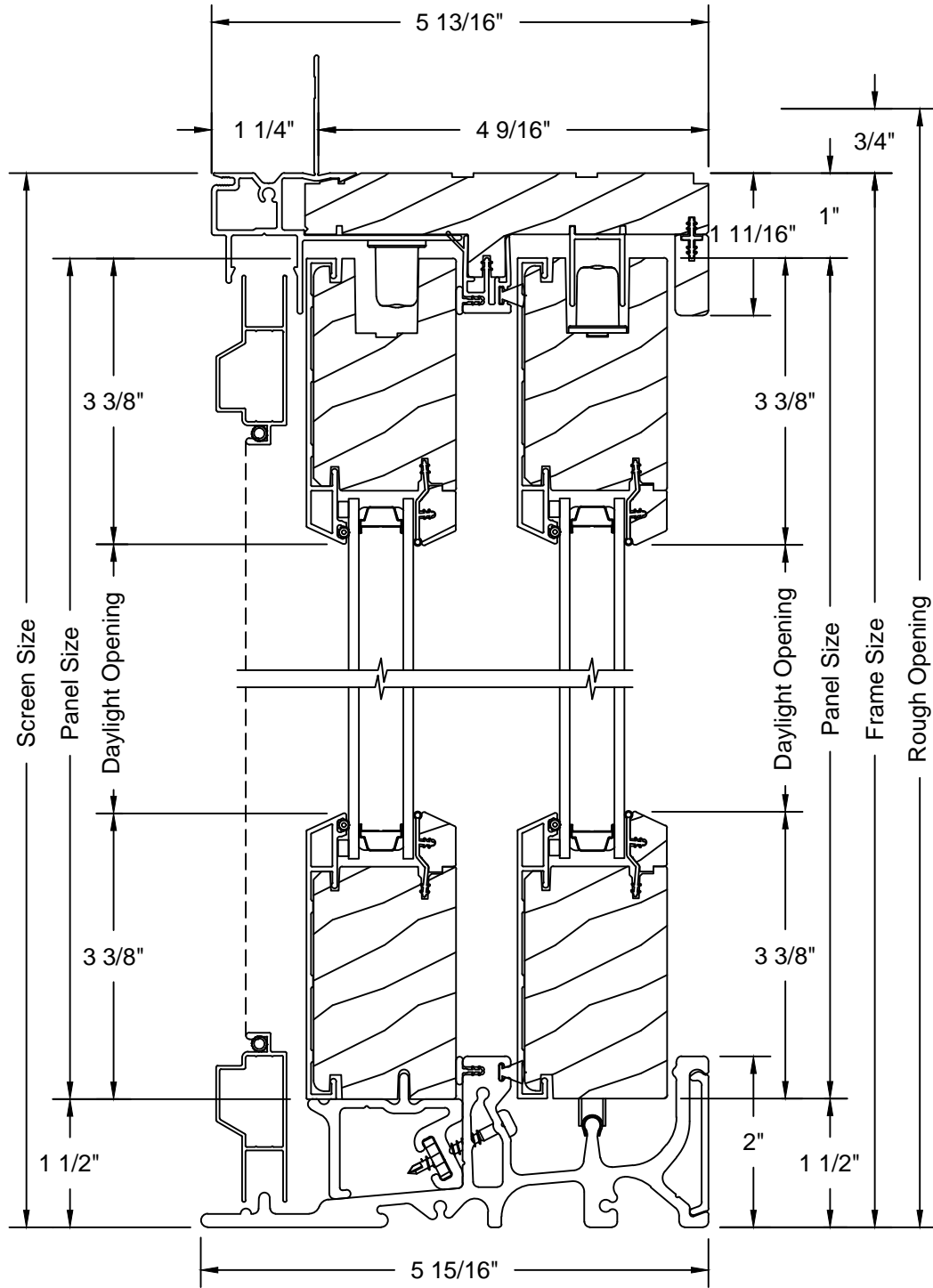


Standard widths for the W-2500 Clad Builders Sliding Patio Door 1 Transom Unit:
32 1/8"(816mm), 38 1/8"(968mm), 50 1/8"(1273mm), 59 1/4"(1505mm),
71 1/4"(1810mm), 91 3/8"(2321mm), 95 1/4"(2419mm), 97 3/8"(2473mm),
103 3/8"(2626mm), 109 3/8"(2278mm), 121 3/8"(3083mm).

Standard heights for the W-2500 Clad Builders Sliding Patio Door Transom Unit:
16"(406mm), 24"(610mm).

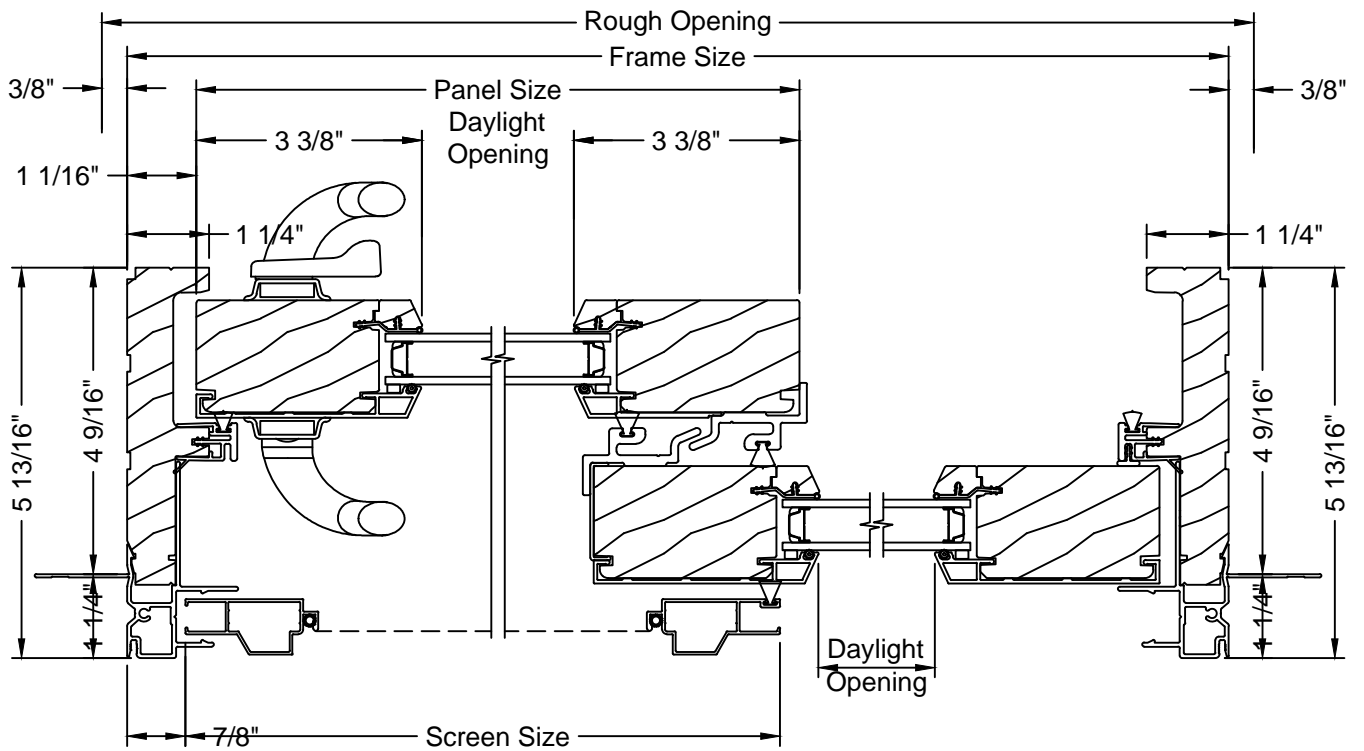


2 PANEL VERTICAL SECTION



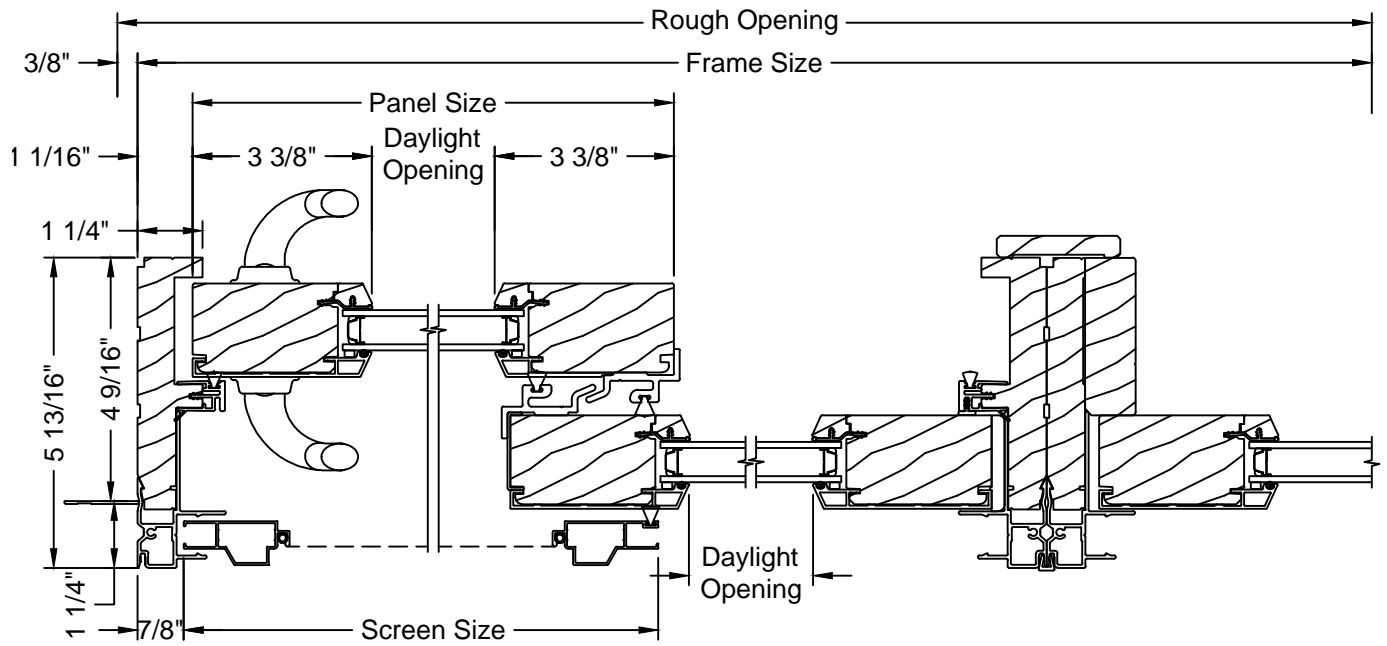


2 PANEL HORIZONTAL SECTION



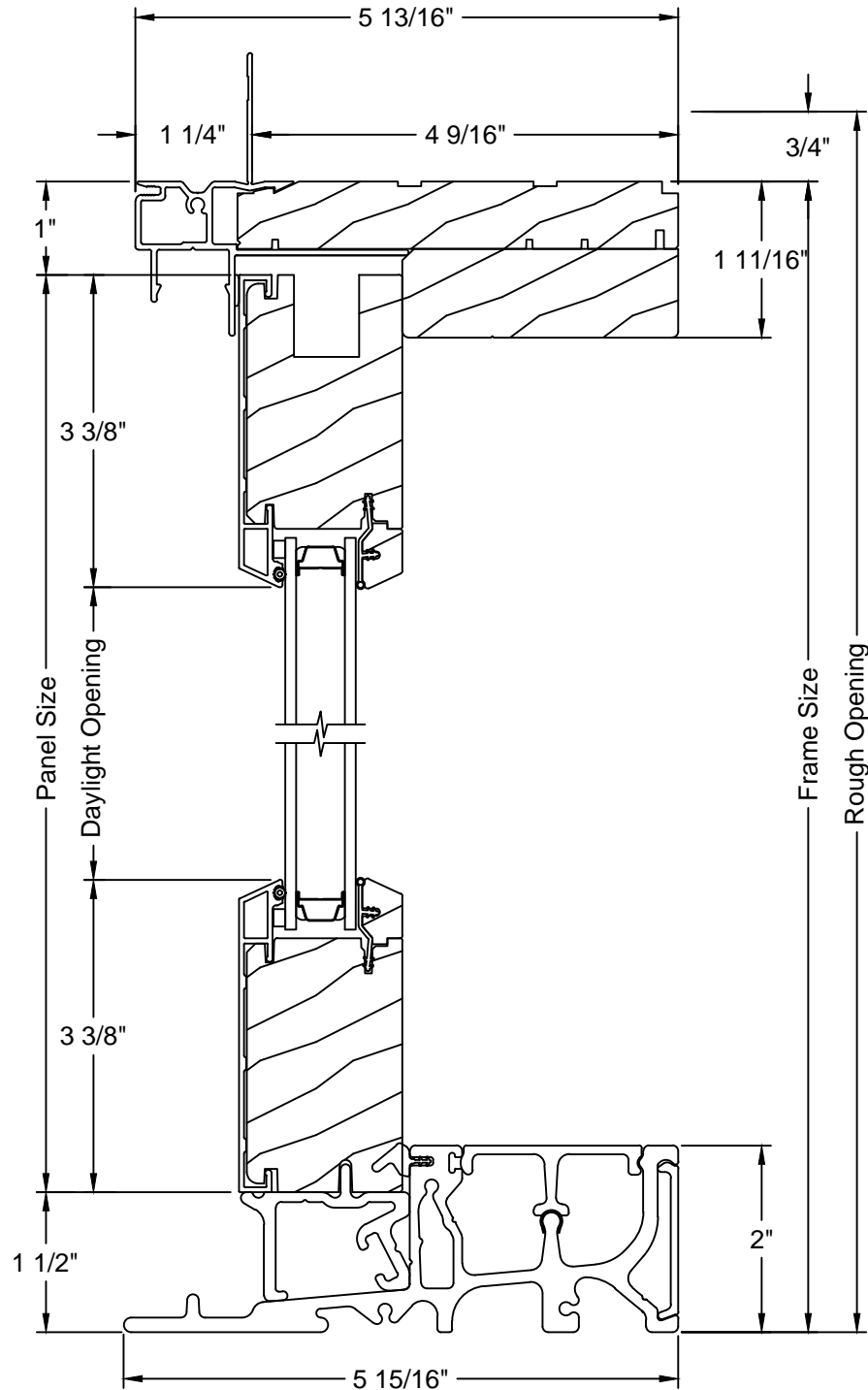


2 PANEL W/ SIDELITE HORIZONTAL SECTION



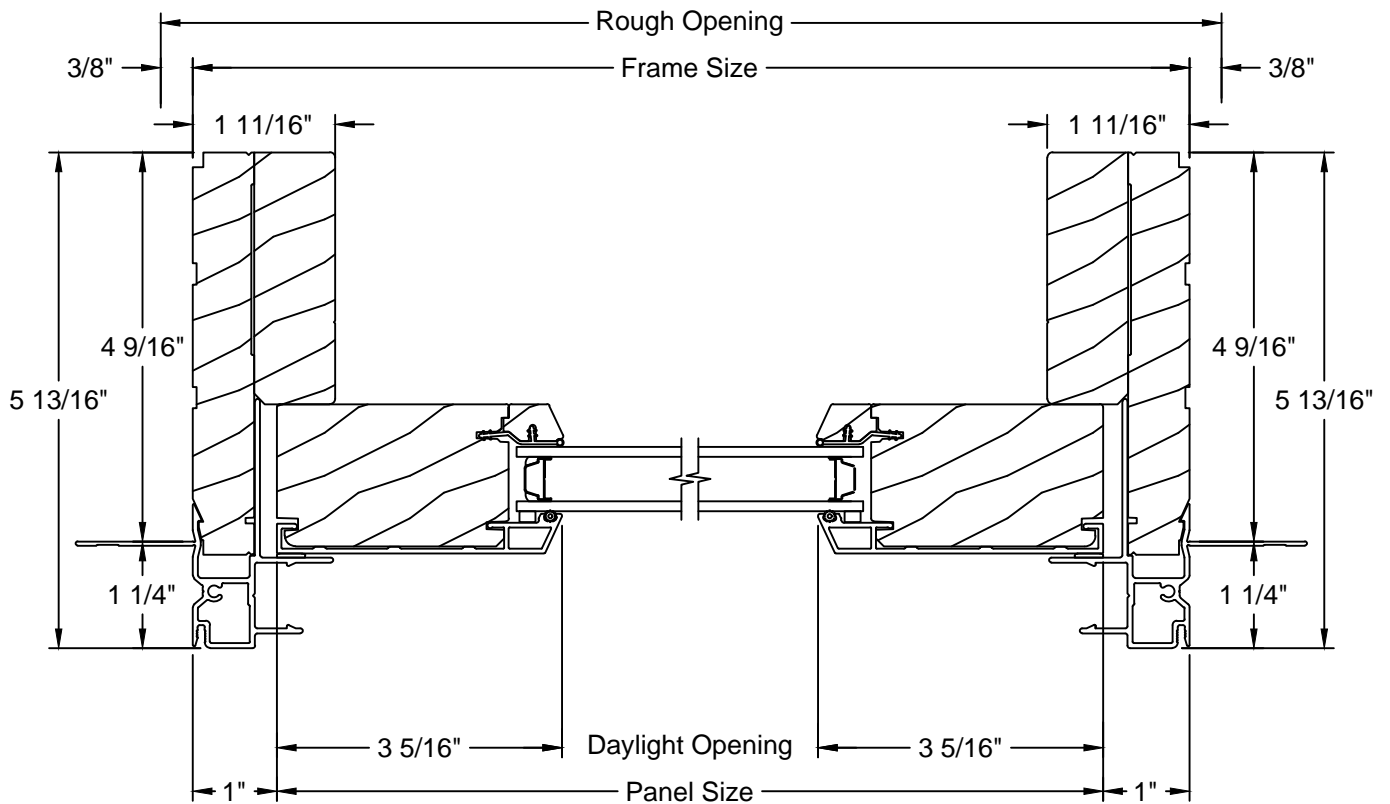


STATIONARY VERTICAL SECTION



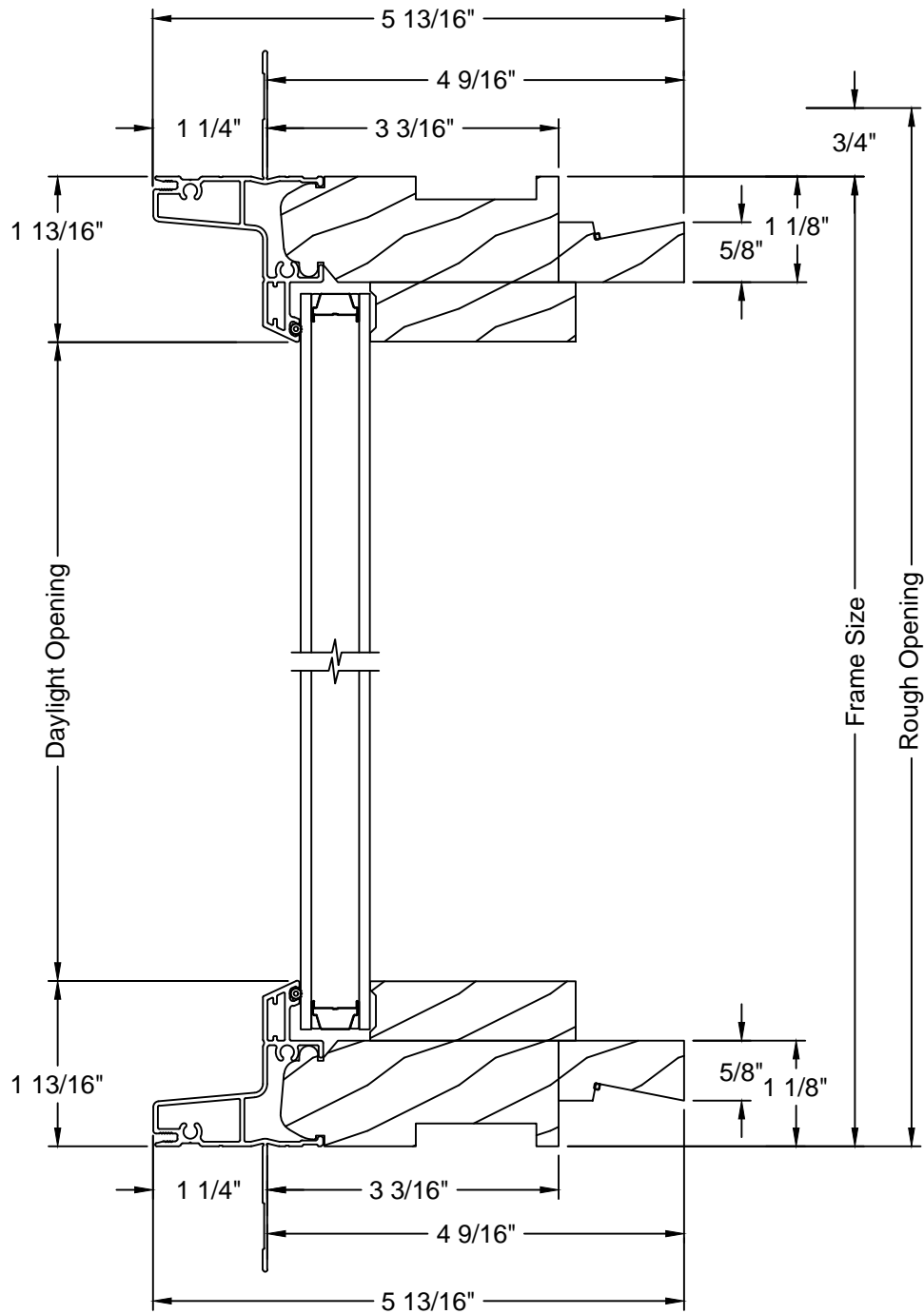


STATIONARY HORIZONTAL SECTION





TRANSOM VERTICAL SECTION





TRANSOM HORIZONTAL SECTION

