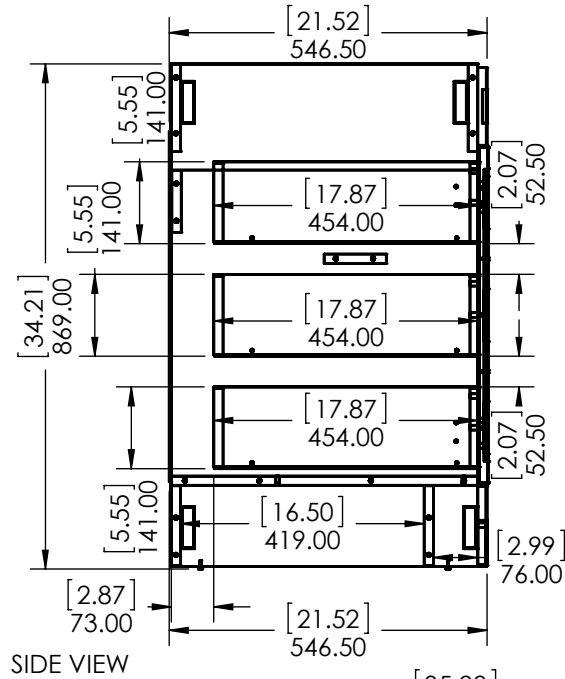
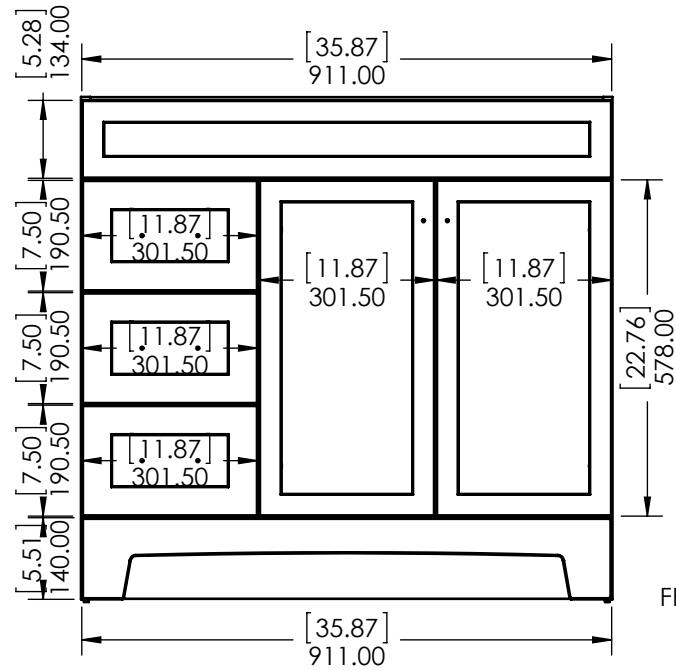


ITEM ID	DESCRIPTION
TB3621L-WH	Thornbriar 36in Vanity - White
TB3621L-CT	Thornbriar 36in Vanity - Cement

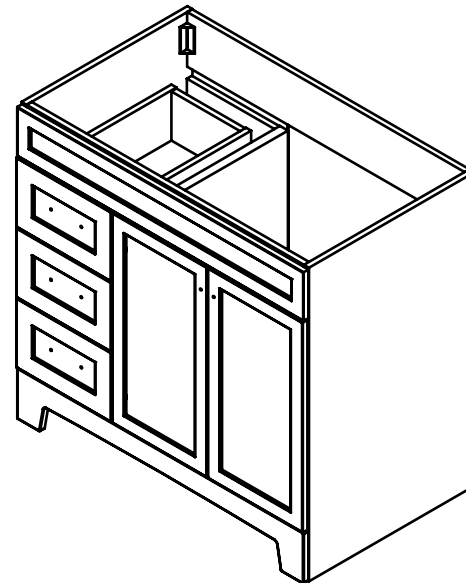
REV	ECO#	DESCRIPTION	REV'D BY DATE	CHK'D BY DATE	APRV'D BY DATE
0		New Release	IASV 3/12/19	IASV 3/12/19	IASV 3/12/19



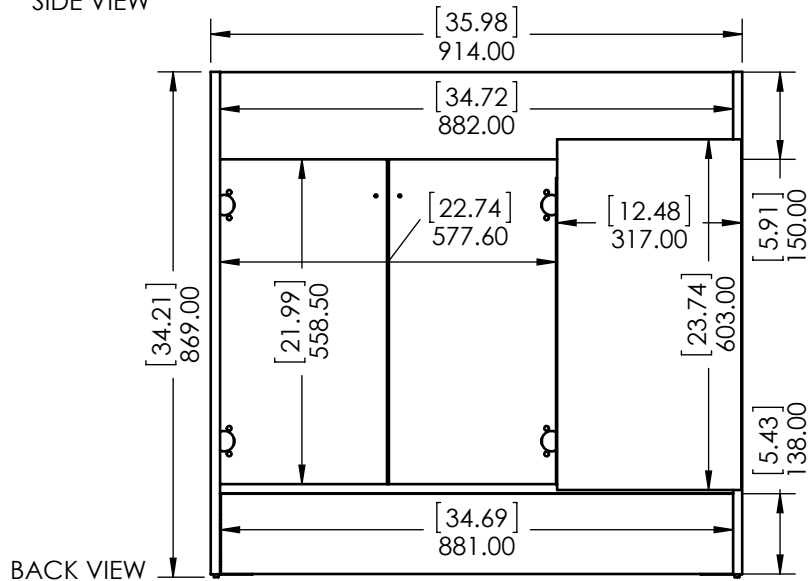
SIDE VIEW



FRONT VIEW



ISOMETRIC VIEW



BACK VIEW

PROPRIETARY AND CONFIDENTIAL
 THE INFORMATION CONTAINED IN THIS DRAWING IS THE SOLE PROPERTY OF WOODCRAFTERS HOME PRODUCTS L.L.C. ANY REPRODUCTION IN PART OR AS A WHOLE WITHOUT THE WRITTEN PERMISSION OF WOODCRAFTERS HOME PRODUCTS L.L.C. IS PROHIBITED.

UNLESS OTHERWISE SPECIFIED
 DIMENSIONS ARE IN mm and [inches] AND TOLERANCES ARE +/- 1.0 [0.04]

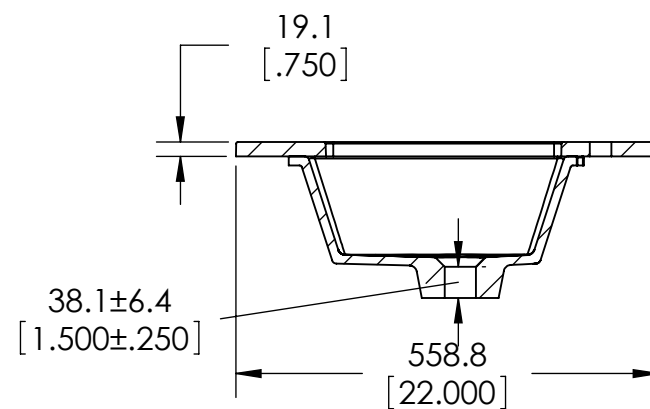
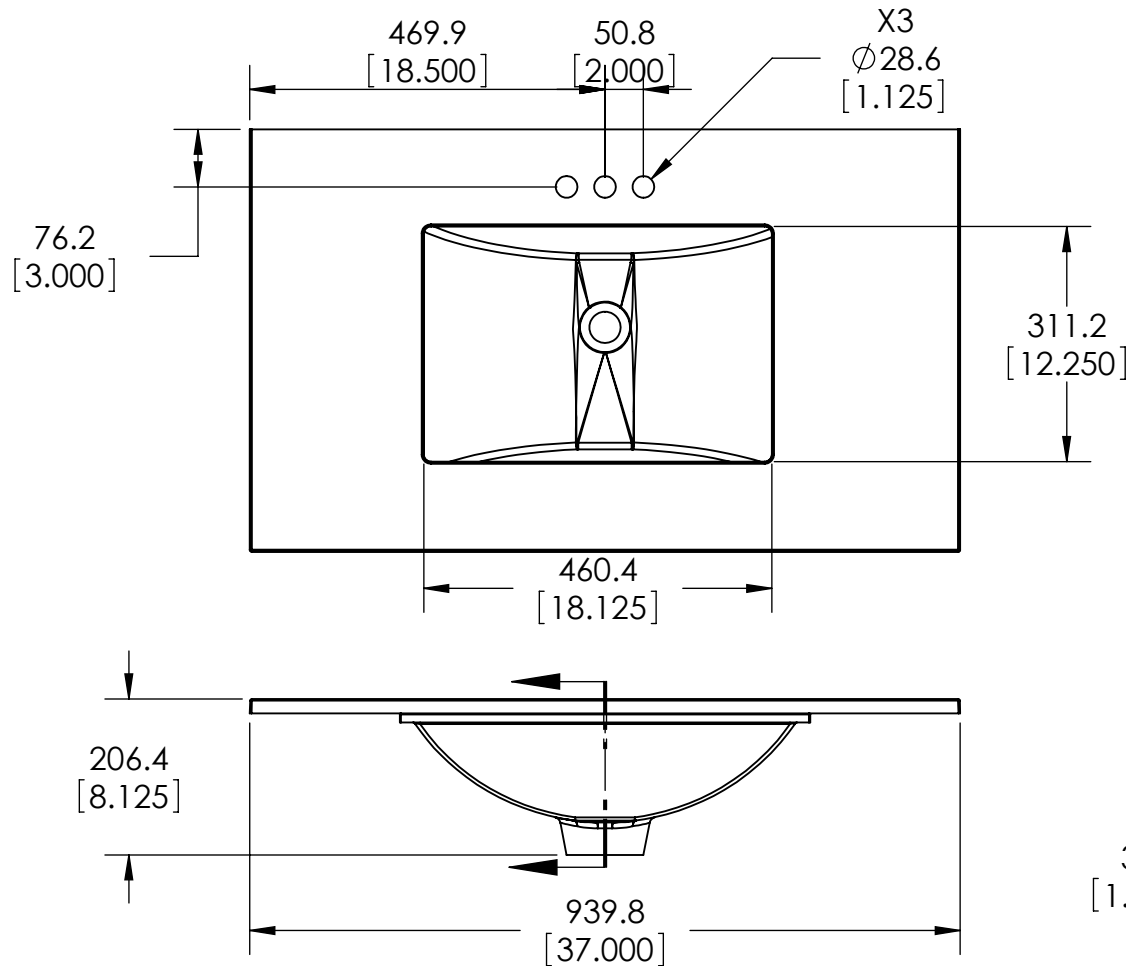
DRAWN BY:	IASV	3/12/19
CHECKED BY:	IASV	3/12/19
APPROVED BY:	IASV	3/12/19
DO NOT SCALE DRAWING	SCALE: 1:10	SIZE: A

TITLE:	THORNBRIAR 36" LEFT CONFIGURATION ASSEMBLY		
PART NO:	PAGE	1 OF 1	REV: 0



DRAWING TYPE	ITEM ID	ITEM DESCRIPTION	DRAWING STATUS
FINISH GOOD	SERST37COM-CO	SE / COLD FUSION	READY FOR PRODUCTION
FINISH GOOD	SERST37COM-RU	SE / RUSTIC GOLD	READY FOR PRODUCTION
FINISH GOOD	SERST37-WM	SE / WINTER MIST	READY FOR PRODUCTION
FINISH GOOD	SERST37COM-AV	SE / AVALON	READY FOR PRODUCTION
FINISH GOOD	SERST37COM-DN	SE / DUNE	READY FOR PRODUCTION
FINISH GOOD	SERST37COM-MI	SE / MAYAN IVORY	READY FOR PRODUCTION
FINISH GOOD	SSRST37COM-GI	SE / GINGER	READY FOR PRODUCTION
FINISH GOOD	CPRST37COM-MA	CP / MAUI	READY FOR PRODUCTION

REVISION #	DATE	CHANGE	APPROVAL
0	4/29/14	NEW DRAWING	R. CAZAREZ
1	6/25/14	NEW ITEMS ID'S	R. CAZAREZ
2	7/1/14	UPDATED DIM.	R. CAZAREZ
3	9/04/14	RELEASED	R. CAZAREZ
4			



NOTE: MAX. WARPAGE TOLERANCE 1/8"

PROPRIETARY AND CONFIDENTIAL

THE INFORMATION CONTAINED IN THIS DRAWING IS THE SOLE PROPERTY OF WOODCRAFTERS. ANY REPRODUCTION IN PART OR AS A WHOLE WITHOUT THE WRITTEN PERMISSION OF WOODCRAFTERS IS PROHIBITED.

UNLESS OTHERWISE SPECIFIED

DIMENSIONS ARE IN MM. AND [INCHES]

TOLERANCES ARE
+ 3.175 [0.125] - 3.175 [0.125]

SCALE:1:10

	NAME	DATE
DRAWN	R. CAZAREZ	APR/29/2014
CHECKED	E. SANDOVAL	SEP/04/2014
ENG APPR.	V. SANCHEZ	SEP/04/2014
MFG APPR.	C. LEAL	SEP/04/2014

Wood Crafters

SIZE DWG. NO. A

VTOP - SE 37 X 22 - SQUARE PROFILE - LARGE REC UM - 4IN

SHEET 1 OF 1