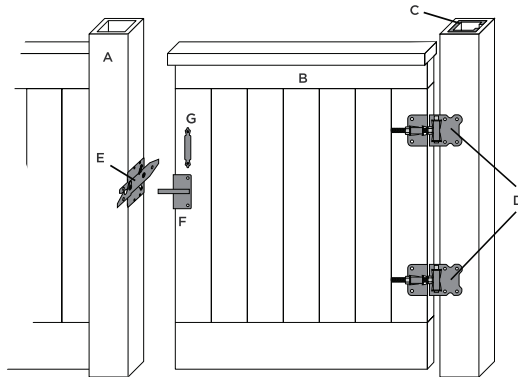


# TREX SECLUSIONS® GATE INSTALLATION GUIDE

## SECLUSIONS GATE COMPONENTS

- A Seclusions 5x5 fence post
- B Seclusions fence gate
- C Steel post stiffener
- D Seclusions fence hinge (2)
- E Seclusions fence latch
- F Seclusions striker
- G Seclusions gate handle (2)
- H 1-1/2" self-tapping screws (20)
- I 1" self-tapping screws (14)



## BEFORE YOU BEGIN

- » Read all instructions before installation.
- » Follow Trex Seclusions Installation Instructions to lay out fence and dig holes.

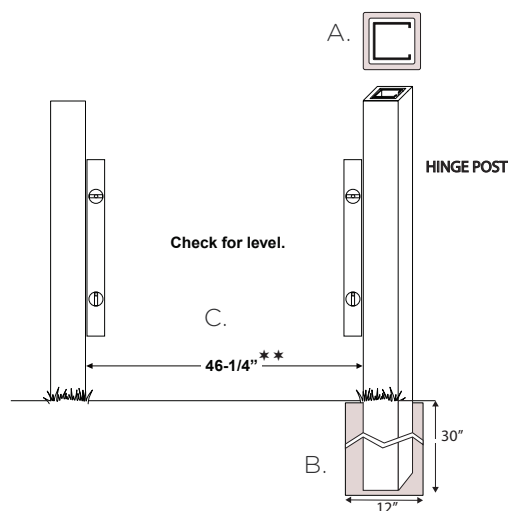
## STEP 1: SET THE GATE POSTS

*Note: Due to concrete cure times, set the gate posts 2-3 days before gate is installed.*

- A. Slide the Steel Post Stiffener into the Hinge post. Open side of insert should face away from gate opening.
- B. Set posts into post holes that are 30" deep (or to frost line) by 12" wide.
- C. Opening (measuring from inside edge of post to inside edge of post) for Standard Size Trex Seclusions Gate panel should be 46-1/4". Inside faces should be plumb and parallel.

**\*\*** Opening for Large Size Trex Gate panel should be 65-3/4". For custom size gates opening is 1-7/8" larger than the gate panel width.

*Note: If Hinge Post is not connected to a fence panel, it may be necessary to use a Heavy Steel Post Stiffener or to fill the post with concrete for additional strength.*



# TREX SECLUSIONS® GATE INSTALLATION GUIDE

## STEP 2: INSTALL THE GATE PANEL

- A. Attach the hinges to the gate panel approximately 6" from the top and bottom of the gate using a 3/8" nut driver and the (4) 1-1/2" supplied self-tapping screws. Pre-drilling with a 3/16" drill bit will make installation easier.

*Note: Install hinges on the side of the gate that you want the gate to swing toward.*

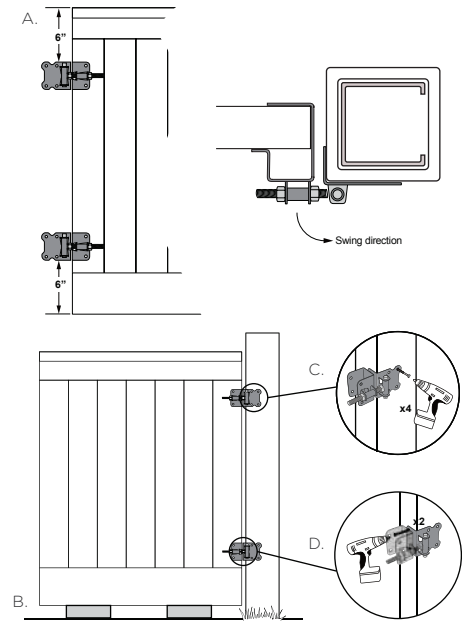
- B. Place the gate panel in the opening. Adjust the gate to be level and to the desired height by placing blocks under gate panel. Allow ample clearance for full swing of gate.

- C. Using (4) 1-1/2" supplied self-drilling screws, attach each hinge to the steel inserted gate post. Pre-drilling with a 3/16" drill bit will ease installation.

- D. Open the panel and attach the inside corner of the bracket to the gate post.

- E. Adjust hinges using the method described below so that there is a minimum of 1" clearance between the gate panel and gate post.

Looking for a unique gate? The flexibility of Trex makes creating a custom gate achievable, limited only by one's imagination. For a customized gate, please consult your local Trex Fence dealer.

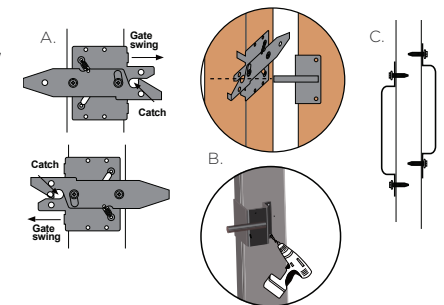


## STEP 3: ATTACH THE LATCH AND HANDLES

- A. Attach the latch to the latch post approximately 36" from the ground using (6) 1-1/2" supplied self-tapping screws. The catch is to be placed in the direction of the gate swing. The catch may face up or down depending on the direction of gate swing.

- B. Using the (4) 1-1/2" supplied self-drilling screws, attach the striker to the gate panel, lining the striker rod up with the catch on the post latch.

- C. Attach gate handles to the gate panel, using (2) 1" supplied self-tapping screws. Handles should be attached 1-3/4" from the edge of the gate panel. The height must be staggered front and back as shown.

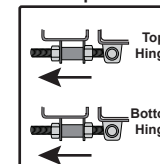


## STEP 4: MAKE ANY FINAL ADJUSTMENTS TO THE GATE HINGE AS NEEDED

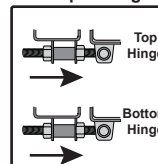
- A. To adjust a sagging gate, or to shift panel in the opening, loosen the hinge nuts with an 11/16" wrench.
- B. Loosen or tighten the nuts in the direction shown below. Lift or push panel to slide the hinge.
- C. Retighten the hinge nuts.

- D. Due to weather and temperature changes, periodic hinge adjustment may be necessary to assure proper latch connection.

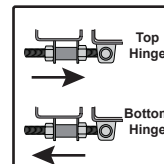
Shift panel left



Shift panel right



Raise latch side



Lower latch side

