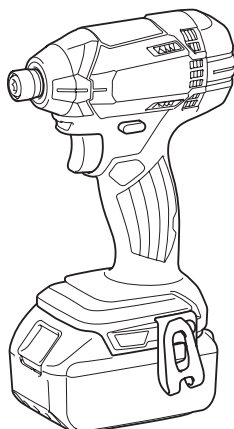


INSTRUCTION MANUAL  
MANUEL D'INSTRUCTION  
MANUAL DE INSTRUCCIONES



# Cordless Impact Driver Tournevis à Chocs sans Fil Atornillador de Impacto Inalámbrico

## XDT11



**IMPORTANT:** Read Before Using.  
**IMPORTANT :** Lire avant usage.  
**IMPORTANTE:** Lea antes de usar.

# SPECIFICATIONS

Model:		XDT11	
Fastening capacities	Machine screw	4 mm - 8 mm (5/32" - 5/16")	
	Standard bolt	5 mm - 16 mm (3/16" - 5/8")	
	High tensile bolt	5 mm - 12 mm (3/16" - 1/2")	
No load speed (RPM)		0 - 2.900 /min	
Impacts per minute		0 - 3.500 /min	
Overall length		137 mm (5-3/8")	
Rated voltage		D.C. 18 V	
Standard battery cartridge	BL1815, BL1815N, BL1820, BL1820B	BL1830, BL1840, BL1850, BL1840B, BL1850B	
Net weight	1.3 kg (2.8 lbs)	1.5 kg (3.3 lbs)	

- Due to our continuing program of research and development, the specifications herein are subject to change without notice.
- Specifications and battery cartridge may differ from country to country.
- Weight, with battery cartridge, according to EPTA-Procedure 01/2003

## General power tool safety warnings

**⚠WARNING:** Read all safety warnings and all instructions. Failure to follow the warnings and instructions may result in electric shock, fire and/or serious injury.

## Save all warnings and instructions for future reference.

The term "power tool" in the warnings refers to your mains-operated (corded) power tool or battery-operated (cordless) power tool.

### Work area safety

1. **Keep work area clean and well lit.** Cluttered or dark areas invite accidents.
2. **Do not operate power tools in explosive atmospheres, such as in the presence of flammable liquids, gases or dust.** Power tools create sparks which may ignite the dust or fumes.
3. **Keep children and bystanders away while operating a power tool.** Distractions can cause you to lose control.

### Electrical Safety

1. **Power tool plugs must match the outlet. Never modify the plug in any way. Do not use any adapter plugs with earthed (grounded) power tools.** Unmodified plugs and matching outlets will reduce risk of electric shock.
2. **Avoid body contact with earthed or grounded surfaces such as pipes, radiators, ranges and refrigerators.** There is an increased risk of electric shock if your body is earthed or grounded.
3. **Do not expose power tools to rain or wet conditions.** Water entering a power tool will increase the risk of electric shock.
4. **Do not abuse the cord. Never use the cord for carrying, pulling or unplugging the power tool. Keep cord away from heat, oil, sharp edges or moving parts.** Damaged or entangled cords increase the risk of electric shock.

5. **When operating a power tool outdoors, use an extension cord suitable for outdoor use.** Use of a cord suitable for outdoor use reduces the risk of electric shock.
6. **If operating a power tool in a damp location is unavoidable, use a ground fault circuit interrupter (GFCI) protected supply.** Use of a GFCI reduces the risk of electric shock.

### Personal Safety

1. **Stay alert, watch what you are doing and use common sense when operating a power tool. Do not use a power tool while you are tired or under the influence of drugs, alcohol or medication.** A moment of inattention while operating power tools may result in serious personal injury.
2. **Use personal protective equipment. Always wear eye protection.** Protective equipment such as dust mask, non-skid safety shoes, hard hat, or hearing protection used for appropriate conditions will reduce personal injuries.
3. **Prevent unintentional starting. Ensure the switch is in the off-position before connecting to power source and/or battery pack, picking up or carrying the tool.** Carrying power tools with your finger on the switch or energising power tools that have the switch on invites accidents.
4. **Remove any adjusting key or wrench before turning the power tool on.** A wrench or a key left attached to a rotating part of the power tool may result in personal injury.
5. **Do not overreach. Keep proper footing and balance at all times.** This enables better control of the power tool in unexpected situations.
6. **Dress properly. Do not wear loose clothing or jewellery. Keep your hair, clothing, and gloves away from moving parts.** Loose clothes, jewellery or long hair can be caught in moving parts.
7. **If devices are provided for the connection of dust extraction and collection facilities, ensure these are connected and properly used.** Use of dust collection can reduce dust-related hazards.

### Power tool use and care

1. **Do not force the power tool. Use the correct power tool for your application.** The correct power tool will do the job better and safer at the rate for which it was designed.
2. **Do not use the power tool if the switch does not turn it on and off.** Any power tool that cannot be controlled with the switch is dangerous and must be repaired.
3. **Disconnect the plug from the power source and/or the battery pack from the power tool before making any adjustments, changing accessories, or storing power tools.** Such preventive safety measures reduce the risk of starting the power tool accidentally.
4. **Store idle power tools out of the reach of children and do not allow persons unfamiliar with the power tool or these instructions to operate the power tool.** Power tools are dangerous in the hands of untrained users.
5. **Maintain power tools. Check for misalignment or binding of moving parts, breakage of parts and any other condition that may affect the power tool's operation. If damaged, have the power tool repaired before use.** Many accidents are caused by poorly maintained power tools.
6. **Keep cutting tools sharp and clean.** Properly maintained cutting tools with sharp cutting edges are less likely to bind and are easier to control.
7. **Use the power tool, accessories and tool bits etc. in accordance with these instructions, taking into account the working conditions and the work to be performed.** Use of the power tool for operations different from those intended could result in a hazardous situation.

### Battery tool use and care

1. **Recharge only with the charger specified by the manufacturer.** A charger that is suitable for one type of battery pack may create a risk of fire when used with another battery pack.
2. **Use power tools only with specifically designated battery packs.** Use of any other battery packs may create a risk of injury and fire.
3. **When battery pack is not in use, keep it away from other metal objects, like paper clips, coins, keys, nails, screws or other small metal objects, that can make a connection from one terminal to another.** Shorting the battery terminals together may cause burns or a fire.
4. **Under abusive conditions, liquid may be ejected from the battery; avoid contact. If contact accidentally occurs, flush with water. If liquid contacts eyes, additionally seek medical help.** Liquid ejected from the battery may cause irritation or burns.

### Service

1. **Have your power tool serviced by a qualified repair person using only identical replacement parts.** This will ensure that the safety of the power tool is maintained.
2. **Follow instruction for lubricating and changing accessories.**
3. **Keep handles dry, clean and free from oil and grease.**

## Cordless impact driver safety warnings

1. **Hold power tool by insulated gripping surfaces, when performing an operation where the fastener may contact hidden wiring.** Fasteners contacting a "live" wire may make exposed metal parts of the power tool "live" and could give the operator an electric shock.
2. **Always be sure you have a firm footing. Be sure no one is below when using the tool in high locations.**
3. **Hold the tool firmly.**
4. **Wear ear protectors.**
5. **Do not touch the bit or the workpiece immediately after operation. They may be extremely hot and could burn your skin.**
6. **Keep hands away from rotating parts.**


## SAVE THESE INSTRUCTIONS.

**▲WARNING: DO NOT** let comfort or familiarity with product (gained from repeated use) replace strict adherence to safety rules for the subject product.

**MISUSE** or failure to follow the safety rules stated in this instruction manual may cause serious personal injury.

## Symbols

The followings show the symbols used for tool.

v	volt
— ---	direct current
n <sub>0</sub>	no load speed
... /min r/min	revolutions or reciprocation per minute
	number of blow

## Important safety instructions for battery cartridge

1. **Before using battery cartridge, read all instructions and cautionary markings on (1) battery charger, (2) battery, and (3) product using battery.**
2. **Do not disassemble battery cartridge.**
3. **If operating time has become excessively shorter, stop operating immediately. It may result in a risk of overheating, possible burns and even an explosion.**
4. **If electrolyte gets into your eyes, rinse them out with clear water and seek medical attention right away. It may result in loss of your eyesight.**
5. **Do not short the battery cartridge:**
  - (1) **Do not touch the terminals with any conductive material.**

- (2) Avoid storing battery cartridge in a container with other metal objects such as nails, coins, etc.
- (3) Do not expose battery cartridge to water or rain.

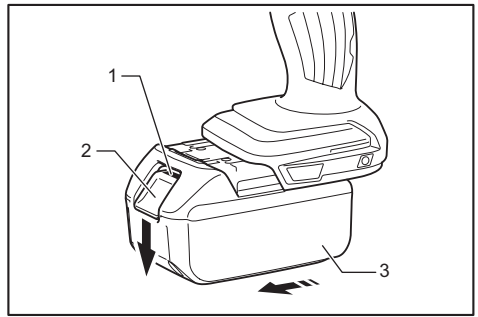
A battery short can cause a large current flow, overheating, possible burns and even a breakdown.

6. Do not store the tool and battery cartridge in locations where the temperature may reach or exceed 50 °C (122 °F).
7. Do not incinerate the battery cartridge even if it is severely damaged or is completely worn out. The battery cartridge can explode in a fire.
8. Be careful not to drop or strike battery.
9. Do not use a damaged battery.
10. Follow your local regulations relating to disposal of battery.

## SAVE THESE INSTRUCTIONS.

### Tips for maintaining maximum battery life

1. Charge the battery cartridge before completely discharged. Always stop tool operation and charge the battery cartridge when you notice less tool power.
2. Never recharge a fully charged battery cartridge. Overcharging shortens the battery service life.
3. Charge the battery cartridge with room temperature at 10 °C - 40 °C (50 °F - 104 °F). Let a hot battery cartridge cool down before charging it.
4. Charge the battery cartridge if you do not use it for a long period (more than six months).



1. Red indicator 2. Button 3. Battery cartridge

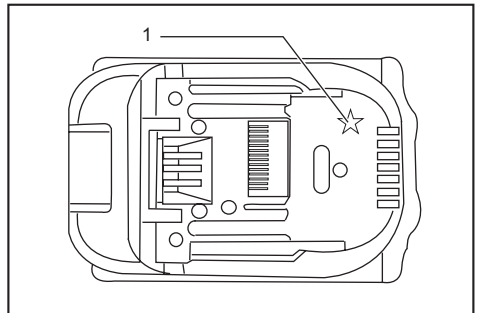
To remove the battery cartridge, slide it from the tool while sliding the button on the front of the cartridge. To install the battery cartridge, align the tongue on the battery cartridge with the groove in the housing and slip it into place. Insert it all the way until it locks in place with a little click. If you can see the red indicator on the upper side of the button, it is not locked completely.

**CAUTION:** Always install the battery cartridge fully until the red indicator cannot be seen. If not, it may accidentally fall out of the tool, causing injury to you or someone around you.

**CAUTION:** Do not install the battery cartridge forcibly. If the cartridge does not slide in easily, it is not being inserted correctly.

### Battery protection system

Lithium-ion battery with star marking



1. Star marking

Lithium-ion batteries with a star marking are equipped with a protection system. This system automatically cuts off power to the tool to extend battery life. The tool will automatically stop during operation if the tool and/or battery are placed under one of the following conditions:

#### Overloaded:

The tool is operated in a manner that causes it to draw an abnormally high current.

In this situation, release the switch trigger on the tool and stop the application that caused the tool to become overloaded. Then pull the switch trigger again to restart. If the tool does not start, the battery is overheated.

In this situation, let the battery cool before pulling the switch trigger again.

## FUNCTIONAL DESCRIPTION

**CAUTION:** Always be sure that the tool is switched off and the battery cartridge is removed before adjusting or checking function on the tool.

### Installing or removing battery cartridge

**CAUTION:** Always switch off the tool before installing or removing of the battery cartridge.

**CAUTION:** Hold the tool and the battery cartridge firmly when installing or removing battery cartridge. Failure to hold the tool and the battery cartridge firmly may cause them to slip off your hands and result in damage to the tool and battery cartridge and a personal injury.

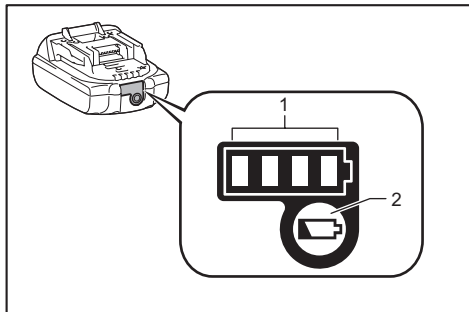


### Low battery voltage:

The remaining battery capacity is too low and the tool will not operate. In this situation, remove and recharge the battery.

## Indicating the remaining battery capacity

Only for battery cartridges with "B" at the end of the model number



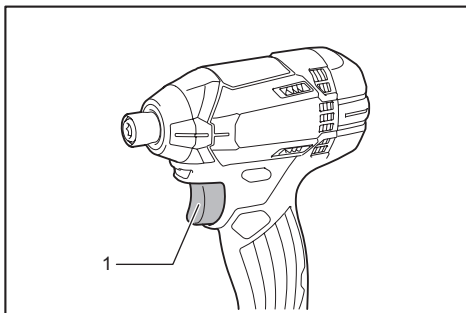
1. Indicator lamps 2. Check button

Press the check button on the battery cartridge to indicate the remaining battery capacity. The indicator lamps light up for few seconds.

Indicator lamps			Remaining capacity	
Lighted	Off	Blinking		
■	□	▧	75% to 100%	
■ ■ ■ ■				
■ ■ ■ □				50% to 75%
■ ■ □ □				25% to 50%
■ □ □ □			0% to 25%	
▧ □ □ □			Charge the battery.	
■ ■ □ □			The battery may have malfunctioned.	
□ □ ■ ■				

**NOTE:** Depending on the conditions of use and the ambient temperature, the indication may differ slightly from the actual capacity.

## Switch action

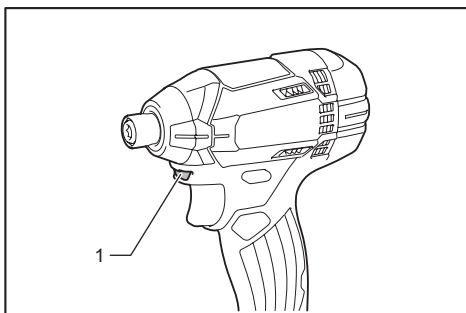


1. Switch trigger

**CAUTION:** Before inserting the battery cartridge into the tool, always check to see that the switch trigger actuates properly and returns to the "OFF" position when released.

To start the tool, simply pull the switch trigger. Tool speed is increased by increasing pressure on the switch trigger. Release the switch trigger to stop.

## Lighting up the front lamp



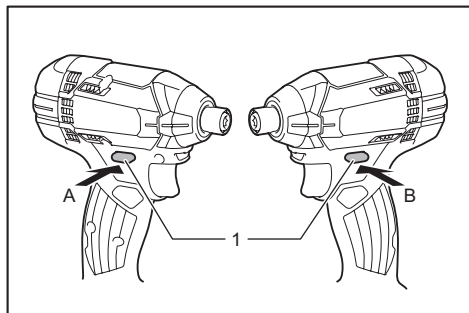
1. Lamp

**CAUTION:** Do not look in the light or see the source of light directly.

Pull the switch trigger to light up the lamp. The lamp keeps on lighting while the switch trigger is being pulled. The lamp goes out 10 -15 seconds after releasing the trigger.

**NOTE:** Use a dry cloth to wipe the dirt off the lens of the lamp. Be careful not to scratch the lens of lamp, or it may lower the illumination.

## Reversing switch action



1. Reversing switch lever

**CAUTION:** Always check the direction of rotation before operation.

**CAUTION:** Use the reversing switch only after the tool comes to a complete stop. Changing the direction of rotation before the tool stops may damage the tool.

**CAUTION:** When not operating the tool, always set the reversing switch lever to the neutral position.

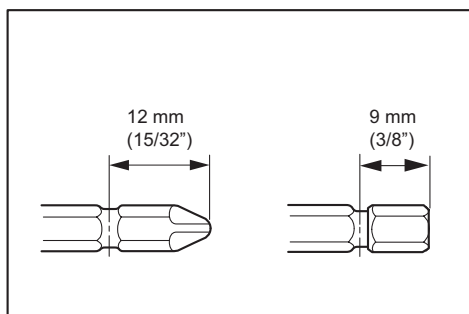
This tool has a reversing switch to change the direction of rotation. Depress the reversing switch lever from the A side for clockwise rotation or from the B side for counterclockwise rotation.

When the reversing switch lever is in the neutral position, the switch trigger cannot be pulled.

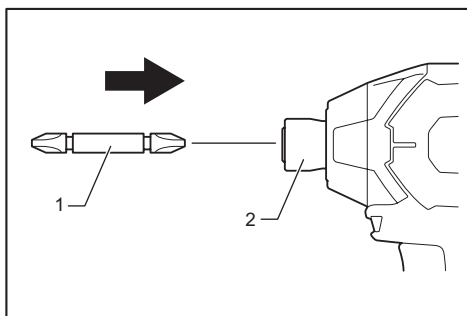
## ASSEMBLY

**CAUTION:** Always be sure that the tool is switched off and the battery cartridge is removed before carrying out any work on the tool.

### Installing or removing driver bit/socket bit

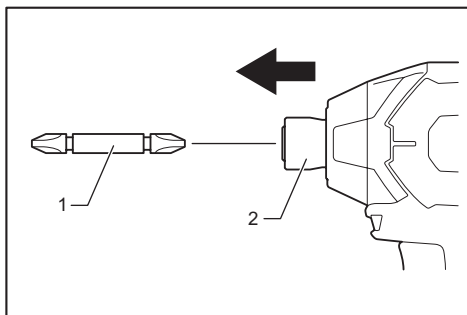


Use only the driver bit/socket bit shown in the figure. Do not use any other driver bit/socket bit.



1. Driver bit 2. Sleeve

To install the driver bit, insert it into the sleeve as far as it will go.



1. Driver bit 2. Sleeve

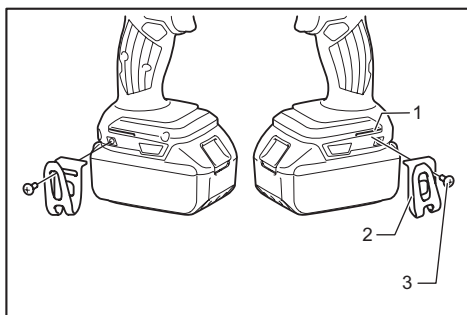
To remove the driver bit, pull the sleeve in the direction of the arrow and pull the driver bit out.

**NOTE:** If the driver bit is not inserted deep enough into the sleeve, the sleeve will not return to its original position and the driver bit will not be secured. In this case, try re-inserting the bit according to the instructions above.

**NOTE:** When it is difficult to insert the driver bit, pull the sleeve and insert it into the sleeve as far as it will go.

**NOTE:** After inserting the driver bit, make sure that it is firmly secured. If it comes out, do not use it.

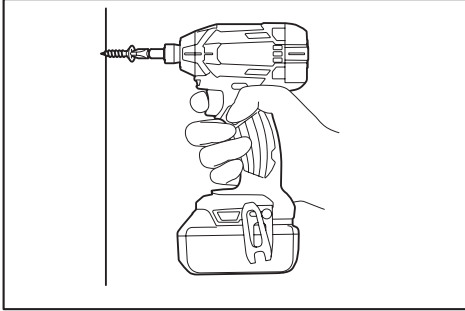
### Installing hook



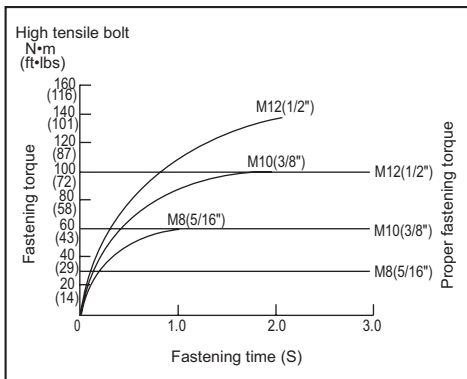
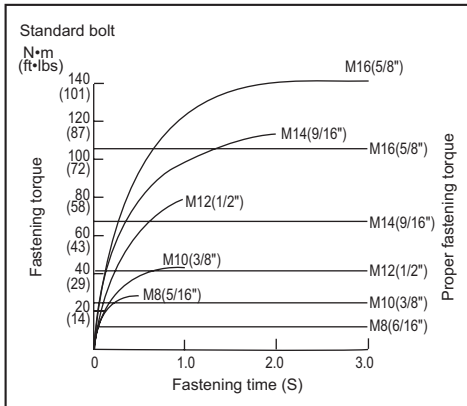
1. Groove 2. Hook 3. Screw

The hook is convenient for temporarily hanging the tool. This can be installed on either side of the tool. To install the hook, insert it into a groove in the tool housing on either side and then secure it with a screw. To remove, loosen the screw and then take it out.

## OPERATION



The proper fastening torque may differ depending upon the kind or size of the screw/bolt, the material of the workpiece to be fastened, etc. The relation between fastening torque and fastening time is shown in the figures.



Hold the tool firmly and place the point of the driver bit in the screw head. Apply forward pressure to the tool to the extent that the bit will not slip off the screw and turn the tool on to start operation.

**NOTICE:** If you use a spare battery to continue the operation, rest the tool at least 15 min.

**NOTE:** Use the proper bit for the head of the screw/bolt that you wish to use.

**NOTE:** When fastening M8 or smaller screw, choose a proper impact force and carefully adjust pressure on the switch trigger so that the screw is not damaged.

**NOTE:** Hold the tool pointed straight at the screw.

**NOTE:** If the impact force is too strong you tighten the screw for a time longer than shown in the figures, the screw or the point of the driver bit may be overstressed, stripped, damaged, etc. Before starting your job, always perform a test operation to determine the proper fastening time for your screw.

The fastening torque is affected by a wide variety of factors including the following. After fastening, always check the torque with a torque wrench.

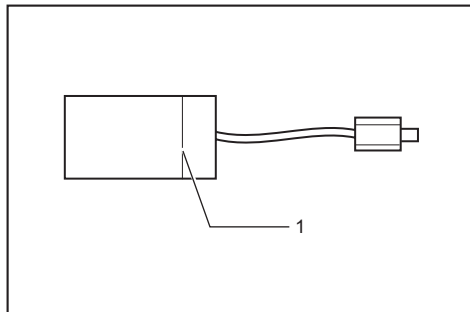
1. When the battery cartridge is discharged almost completely, voltage will drop and the fastening torque will be reduced.
2. Driver bit or socket bit  
Failure to use the correct size driver bit or socket bit will cause a reduction in the fastening torque.
3. Bolt
  - Even though the torque coefficient and the class of bolt are the same, the proper fastening torque will differ according to the diameter of bolt.
  - Even though the diameters of bolts are the same, the proper fastening torque will differ according to the torque coefficient, the class of bolt and the bolt length.
4. The manner of holding the tool or the material of driving position to be fastened will affect the torque.
5. Operating the tool at low speed will cause a reduction in the fastening torque.

## MAINTENANCE

**CAUTION:** Always be sure that the tool is switched off and the battery cartridge is removed before attempting to perform inspection or maintenance.

**NOTICE:** Never use gasoline, benzine, thinner, alcohol or the like. Discoloration, deformation or cracks may result.

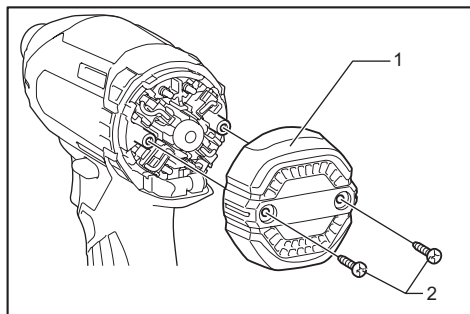
## Replacing carbon brushes



1. Limit mark

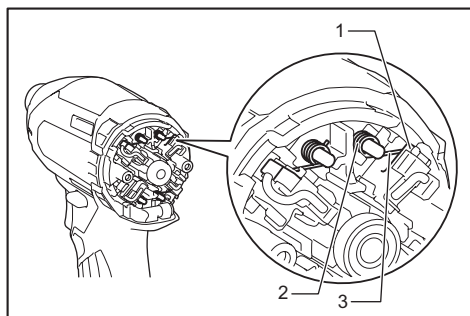
Replace when they wear down to the limit mark. Keep the carbon brushes clean and free to slip in the holders. All carbon brushes should be replaced at the same time. Use only identical carbon brushes.

1. Use a screwdriver to remove two screws then remove the rear cover.



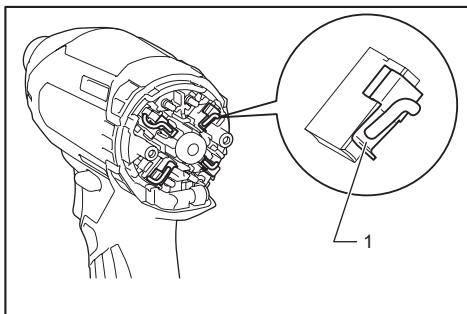
1. Rear cover 2. Screw

2. Raise the arm part of the spring and then place it in the recessed part of the housing with a slotted bit screwdriver or slender shaft or the like.



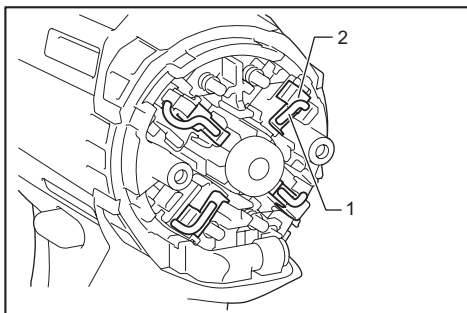
1. Recessed part 2. Spring 3. Arm

3. Use pliers to remove the carbon brush caps of the carbon brushes. Take out the worn carbon brushes, insert the new ones and replace the carbon brush caps in reverse.



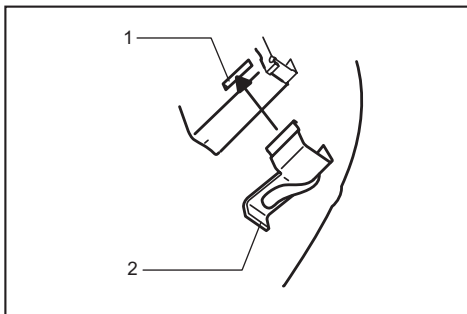
1. Carbon brush cap

4. Make sure to place the lead wire in opposite side of the arm.



1. Lead wire 2. Carbon brush cap

5. Make sure that the carbon brush caps have fit into the holes in brush holders securely.



1. Hole 2. Carbon brush cap

6. Reinstall the rear cover and tighten two screws securely.

7. Insert the battery cartridge into the tool and break in brushes by running tool with no load for about 1 minute.

8. Check the tool while running and electric brake operation when releasing the switch trigger. If electric brake is not working well, ask Makita Authorized or Factory Service Centers for repair. To maintain product SAFETY and RELIABILITY, repairs, any other maintenance or adjustment should

be performed by Makita Authorized or Factory Service Centers, always using Makita replacement parts.

implied warranty lasts, so the above limitation may not apply to you.

## OPTIONAL ACCESSORIES

**⚠CAUTION:** These accessories or attachments are recommended for use with your Makita tool specified in this manual. The use of any other accessories or attachments might present a risk of injury to persons. Only use accessory or attachment for its stated purpose.

If you need any assistance for more details regarding these accessories, ask your local Makita Service Center.

- Driver bits
- Hook
- Plastic carrying case
- Makita genuine battery and charger
- Battery protector

**NOTE:** Some items in the list may be included in the tool package as standard accessories. They may differ from country to country.

## MAKITA LIMITED ONE YEAR WARRANTY

### Warranty Policy

Every Makita tool is thoroughly inspected and tested before leaving the factory. It is warranted to be free of defects from workmanship and materials for the period of ONE YEAR from the date of original purchase.

Should any trouble develop during this one year period, return the COMPLETE tool, freight prepaid, to one of Makita's Factory or Authorized Service Centers. If inspection shows the trouble is caused by defective workmanship or material, Makita will repair (or at our option, replace) without charge.

This Warranty does not apply where:

- repairs have been made or attempted by others:
- repairs are required because of normal wear and tear:
- the tool has been abused, misused or improperly maintained:
- alterations have been made to the tool.

IN NO EVENT SHALL MAKITA BE LIABLE FOR ANY INDIRECT, INCIDENTAL OR CONSEQUENTIAL DAMAGES FROM THE SALE OR USE OF THE PRODUCT. THIS DISCLAIMER APPLIES BOTH DURING AND AFTER THE TERM OF THIS WARRANTY.

MAKITA DISCLAIMS LIABILITY FOR ANY IMPLIED WARRANTIES, INCLUDING IMPLIED WARRANTIES OF "MERCHANTABILITY" AND "FITNESS FOR A SPECIFIC PURPOSE," AFTER THE ONE YEAR TERM OF THIS WARRANTY.

This Warranty gives you specific legal rights, and you may also have other rights which vary from state to state. Some states do not allow the exclusion or limitation of incidental or consequential damages, so the above limitation or exclusion may not apply to you.

Some states do not allow limitation on how long an

# SPÉCIFICATIONS

Modèle :		XDT11	
Capacités de serrage	Vis de mécanique	4 mm - 8 mm (5/32" - 5/16")	
	Boulon standard	5 mm - 16 mm (3/16" - 5/8")	
	Boulon à haute résistance	5 mm - 12 mm (3/16" - 1/2")	
Vitesse à vide (T/MIN)		0 - 2 900 /min	
Percussions par minute		0 - 3 500 /min	
Longueur totale		137 mm (5-3/8")	
Tension nominale		C.C. 18 V	
Batterie standard	BL1815, BL1815N, BL1820, BL1820B	BL1830, BL1840, BL1850, BL1840B, BL1850B	
Poids net	1,3 kg (2,8 lbs)	1,5 kg (3,3 lbs)	

- Étant donné l'évolution constante de notre programme de recherche et développement, les spécifications contenues dans ce manuel sont sujettes à modification sans préavis.
- Les spécifications et la batterie peuvent varier suivant les pays.
- Poids, batterie comprise, conforme à la procédure EPTA 01/2003

## Consignes de sécurité générales pour outils électriques

**▲MISE EN GARDE :** Lisez toutes les consignes de sécurité et toutes les instructions. L'ignorance des mises en garde et des instructions comporte un risque de choc électrique, d'incendie et/ou de blessure grave.

## Conservez toutes les mises en garde et instructions pour référence future.

Le terme « outil électrique » qui figure dans les avertissements fait référence à un outil électrique branché sur une prise de courant (par un cordon d'alimentation) ou alimenté par batterie (sans fil).

### Sécurité de la zone de travail

1. **Maintenez la zone de travail propre et bien éclairée.** Les zones de travail encombrées ou sombres ouvrent grande la porte aux accidents.
2. **N'utilisez pas les outils électriques dans les atmosphères explosives, par exemple en présence de liquides, gaz ou poussières inflammables.** Les outils électriques produisent des étincelles au contact desquelles la poussière ou les vapeurs peuvent s'enflammer.
3. **Assurez-vous qu'aucun enfant ou curieux ne s'approche pendant que vous utilisez un outil électrique.** Vous risquez de perdre la maîtrise de l'outil si votre attention est détournée.

### Sécurité en matière d'électricité

1. **Les fiches d'outil électrique sont conçues pour s'adapter parfaitement aux prises de courant. Ne modifiez jamais la fiche de quelque façon que ce soit. N'utilisez aucun adaptateur de fiche sur les outils électriques avec mise à la terre.** En ne modifiant pas les fiches et en les insérant dans des prises de courant pour

lesquelles elles ont été conçues, vous réduirez les risques de choc électrique.

2. **Évitez tout contact corporel avec les surfaces mises à la terre, telles que tuyaux, radiateurs, cuisinières et réfrigérateurs.** Le risque de choc électrique est plus élevé si votre corps se trouve mis à la terre.
3. **N'exposez pas les outils électriques à la pluie ou à l'eau.** La présence d'eau dans un outil électrique augmente le risque de choc électrique.
4. **Ne maltraitez pas le cordon. N'utilisez jamais le cordon pour transporter, tirer ou débrancher l'outil électrique. Maintenez le cordon à l'écart des sources de chaleur, de l'huile, des objets à bords tranchants et des pièces en mouvement.** Le risque de choc électrique est plus élevé lorsque les cordons sont endommagés ou enchevêtrés.
5. **Lorsque vous utilisez un outil électrique à l'extérieur, utilisez un cordon prolongateur conçu pour l'usage extérieur.** Le risque de choc électrique est moindre lorsqu'un cordon conçu pour l'usage extérieur est utilisé.
6. **Si vous devez utiliser un outil électrique dans un endroit humide, utilisez une source d'alimentation protégée par un disjoncteur de fuite à la terre.** L'utilisation d'un disjoncteur de fuite à la terre réduit le risque de choc électrique.

### Sécurité personnelle

1. **Restez alerte, attentif à vos mouvements et faites preuve de bon sens lorsque vous utilisez un outil électrique. N'utilisez pas les outils électriques si vous êtes fatigué ou avez pris une drogue, de l'alcool ou un médicament.** Un moment d'inattention pendant l'utilisation d'un outil électrique peut entraîner une grave blessure.
2. **Portez des dispositifs de protection personnelle. Portez toujours une protection oculaire.** Les risques de blessure seront moins élevés si vous utilisez des dispositifs de protection tels qu'un masque anti-poussière, des chaussures à semelle antidérapante, une coiffure résistante ou une protection d'oreilles.

3. **Évitez les démarrages accidentels. Assurez-vous que l'interrupteur est en position d'arrêt avant de brancher l'outil à la prise de courant et/ou au bloc-piles, et avant de prendre ou de transporter l'outil.** Vous ouvrez la porte aux accidents si vous transportez les outils électriques avec le doigt sur l'interrupteur ou si vous les branchez alors que l'interrupteur est en position de marche.
4. **Retirez toute clé de réglage ou de serrage avant de mettre l'outil électrique sous tension.** Toute clé laissée en place sur une pièce rotative de l'outil électrique peut entraîner une blessure.
5. **Ne vous étirez pas exagérément. Assurez-vous d'une bonne prise au sol et d'un bon équilibre en tout temps.** Cela vous permettra d'avoir une meilleure maîtrise de l'outil électrique dans les situations imprévues.
6. **Portez des vêtements adéquats. Ne portez ni vêtements amples ni bijoux. Vous devez maintenir cheveux, vêtements et gants à l'écart des pièces en mouvement.** Les pièces en mouvement peuvent happer les vêtements amples, les bijoux et les cheveux longs.
7. **Si des accessoires sont fournis pour raccorder un appareil d'aspiration et de collecte de la poussière, assurez-vous qu'ils sont correctement raccordés et qu'ils sont utilisés de manière adéquate.** L'utilisation d'un appareil de collecte permet de réduire les risques liés à la présence de poussière dans l'air.

#### Utilisation et entretien des outils électriques

1. **Ne forcez pas l'outil électrique. Utilisez l'outil électrique adéquat suivant le type de travail à effectuer.** Si vous utilisez l'outil électrique adéquat et respectez le régime pour lequel il a été conçu, il effectuera un travail de meilleure qualité et plus sécuritaire.
2. **N'utilisez pas l'outil électrique s'il n'est pas possible de l'allumer et de l'éteindre avec son interrupteur.** Un outil électrique dont l'interrupteur est défectueux représente un danger et doit être réparé.
3. **Débranchez la fiche de la source d'alimentation et/ou retirez le bloc-piles de l'outil électrique avant d'effectuer tout réglage, de remplacer un accessoire ou de ranger l'outil électrique.** De telles mesures préventives réduisent les risques de démarrage accidentel de l'outil électrique.
4. **Après l'utilisation d'un outil électrique, rangez-le hors de portée des enfants et ne laissez aucune personne l'utiliser si elle n'est pas familiarisée avec l'outil électrique ou les présentes instructions d'utilisation.** Les outils électriques représentent un danger entre les mains de personnes qui n'en connaissent pas le mode d'utilisation.
5. **Veillez à l'entretien des outils électriques. Assurez-vous que les pièces mobiles ne sont pas désalignées ou coincées, qu'aucune pièce n'est cassée et que l'outil électrique n'a subi aucun dommage affectant son bon fonctionnement.** Le cas échéant, faites réparer l'outil électrique avant de l'utiliser. De nombreux accidents sont causés par des outils électriques mal entretenus.

6. **Maintenez les outils tranchants bien aiguisés et propres.** Un outil tranchant dont l'entretien est effectué correctement et dont les bords sont bien aiguisés risquera moins de se coincer et sera plus facile à maîtriser.
7. **Utilisez l'outil électrique, ses accessoires, ses embouts, etc., en respectant les présentes instructions, en tenant compte des conditions de travail et du type de travail à effectuer.** L'utilisation d'un outil électrique pour d'autres usages que ceux prévus peut entraîner une situation dangereuse.

#### Utilisation et entretien des outils alimentés par batterie

1. **Pour recharger, utilisez uniquement le chargeur spécifié par le fabricant.** L'utilisation d'un chargeur conçu pour un type donné de bloc-piles comporte un risque d'incendie lorsqu'il est utilisé avec un autre type de bloc-piles.
2. **N'utilisez un outil électrique qu'avec le bloc-piles conçu spécifiquement pour cet outil.** Il y a un risque de blessure ou d'incendie si un autre bloc-piles est utilisé.
3. **Lorsque vous n'utilisez pas le bloc-piles, rangez-le à l'écart des objets métalliques tels que trombones, pièces de monnaie, clés, clous, vis ou autres petits objets métalliques qui risqueraient d'établir une connexion entre les bornes.** La mise en court-circuit des bornes de batterie peut causer des brûlures ou un incendie.
4. **Dans des conditions d'utilisation inadéquates de la batterie, il peut y avoir fuite d'électrolyte; évitez tout contact avec ce liquide. En cas de contact accidentel, rincez avec beaucoup d'eau. Si le liquide pénètre dans vos yeux, il faut aussi consulter un médecin.** L'électrolyte qui s'échappe de la batterie peut causer des irritations ou des brûlures.

#### Réparation

1. **Faites réparer votre outil électrique par un réparateur qualifié qui utilise des pièces de rechange identiques aux pièces d'origine.** Le maintien de la sûreté de l'outil électrique sera ainsi assuré.
2. **Suivez les instructions de lubrification et de remplacement des accessoires.**
3. **Maintenez les poignées de l'outil sèches, propres et exemptes d'huile ou de graisse.**

### Consignes de sécurité pour le tournevis à chocs sans fil

1. **Tenez l'outil par ses surfaces de prise isolées pendant toute opération où l'accessoire de fixation pourrait venir en contact avec un câblage dissimulé.** En cas de contact avec un conducteur sous tension, les pièces métalliques à découvert de l'outil peuvent devenir sous tension et transmettre un choc électrique à l'utilisateur.
2. **Pensez toujours à prendre pied solidement. Assurez-vous qu'il n'y a personne plus bas lorsque vous utilisez l'outil en position élevée.**
3. **Tenez l'outil fermement.**
4. **Portez une protection d'oreilles.**
5. **Ne touchez ni l'embout, ni la pièce à travailler immédiatement après l'utilisation. Ils peuvent**



- être extrêmement chauds et vous brûler la peau.
6. Gardez les mains éloignées des pièces en rotation.


## CONSERVEZ CES INSTRUCTIONS.

**▲MISE EN GARDE** : NE vous laissez PAS tromper (au fil d'une utilisation répétée) par un sentiment d'aisance ou de familiarité avec le produit en négligeant les consignes de sécurité qui accompagnent le produit.

UNE UTILISATION INCORRECTE ou le non-respect des règles de sécurité énoncées dans le présent manuel d'instructions peut provoquer des blessures graves.

### Symboles

Les symboles utilisés pour l'outil sont indiqués ci-dessous.

V	volts
— — —	courant continu
n <sub>0</sub>	vitesse à vide
... /min r /min	tours ou alternances par minute
	nombre de frappes

### Consignes de sécurité importantes pour la batterie

1. Avant d'utiliser la batterie, lisez toutes les instructions et les mises en garde apposées sur (1) le chargeur de batterie, (2) la batterie et (3) le produit utilisant la batterie.
2. Ne démontez pas la batterie.
3. Cessez immédiatement l'utilisation si le temps de fonctionnement devient excessivement court. Il y a risque de surchauffe, de brûlures, voire d'explosion.
4. Si l'électrolyte pénètre dans vos yeux, rincez-les à l'eau claire et consultez immédiatement un médecin. Il y a risque de perte de la vue.
5. Ne court-circuitez pas la batterie :
  - (1) Ne touchez les bornes avec aucun matériau conducteur.
  - (2) Évitez de ranger la batterie dans un conteneur avec d'autres objets métalliques tels que clous, pièces de monnaie, etc.
  - (3) Évitez d'exposer la batterie à l'eau ou à la pluie.

Un court-circuit de la batterie pourrait provoquer un fort courant, une surchauffe, parfois des brûlures et même une panne.

6. Ne rangez pas l'outil ou la batterie dans des emplacements où la température peut atteindre ou dépasser 50 °C (122 °F).
7. Ne jetez pas la batterie au feu même si elle est sérieusement endommagée ou complètement épuisée. La batterie peut exploser au contact du feu.
8. Prenez garde d'échapper ou de heurter la batterie.
9. N'utilisez pas une batterie si elle est endommagée.
10. Suivez la réglementation locale concernant l'élimination de la batterie.

## CONSERVEZ CES INSTRUCTIONS.

### Conseils pour maintenir la durée de service maximale de la batterie

1. Rechargez la batterie avant qu'elle ne soit complètement déchargée. Arrêtez toujours l'outil et rechargez la batterie quand vous remarquez que la puissance de l'outil diminue.
2. Ne rechargez jamais une batterie complètement chargée. La surcharge réduit la durée de service de la batterie.
3. Chargez la batterie à une température ambiante comprise entre 10 °C et 40 °C (50 °F et 104 °F). Si la batterie est chaude, laissez-la refroidir avant de la charger.
4. Chargez la batterie si elle est restée inutilisée pendant une période prolongée (plus de six mois).

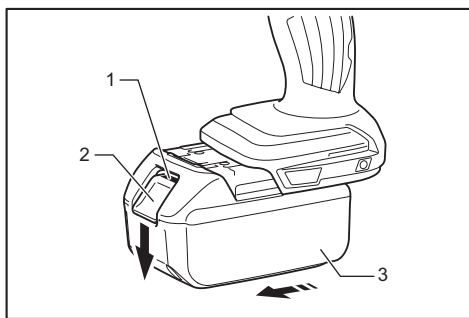
## DESCRIPTION DU FONCTIONNEMENT

**▲ATTENTION** : Assurez-vous toujours que l'outil est éteint et que sa batterie est retirée avant de l'ajuster ou de vérifier son fonctionnement.

### Installation ou retrait de la batterie

**▲ATTENTION** : Éteignez toujours l'outil avant d'installer ou de retirer la batterie.

**▲ATTENTION** : Tenez fermement l'outil et la batterie lors de l'installation ou du retrait de cette dernière. Si l'outil et la batterie ne sont pas tenus fermement, ils risquent de vous glisser des mains et de subir des dommages, ou encore de vous blesser.



1. Voyant rouge 2. Bouton 3. Batterie

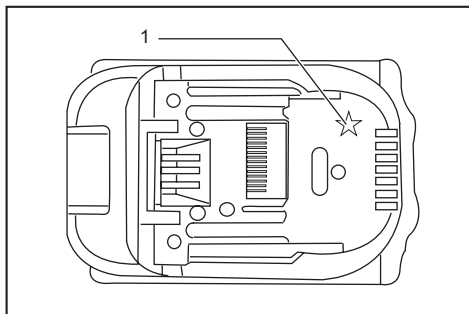
Pour retirer la batterie, faites-la glisser hors de l'outil tout en glissant le bouton qui se trouve à l'avant. Pour installer la batterie, alignez sa languette sur la rainure pratiquée dans le boîtier, et glissez la batterie en place. Insérez-la à fond jusqu'à ce que vous entendiez un léger déclic. Si vous pouvez voir le voyant rouge sur le dessus du bouton, la batterie n'est pas complètement verrouillée.

**ATTENTION** : Installez toujours la batterie à fond jusqu'à ce que vous ne puissiez plus voir le voyant rouge. Autrement elle risque de tomber accidentellement de l'outil et d'entraîner des blessures.

**ATTENTION** : Ne forcez pas sur la batterie pour l'installer. Si la batterie ne glisse pas facilement, c'est qu'elle n'est pas insérée correctement.

## Dispositif de protection de la batterie

Batterie lithium-ion marquée d'une étoile



1. Marque d'étoile

Les batteries lithium-ion marquées d'une étoile sont équipées d'un dispositif de protection. Ce dispositif coupe automatiquement l'alimentation de l'outil pour prolonger la durée de service de la batterie.

L'outil s'arrête automatiquement pendant l'utilisation lorsque l'outil et/ou la batterie sont dans l'une des situations suivantes :

### En surcharge :

L'outil est utilisé d'une manière entraînant une consommation anormale de courant.

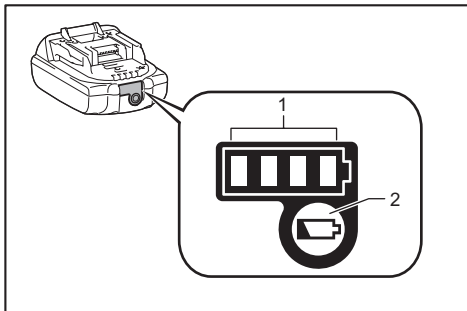
Dans cette situation, libérez la gâchette et arrêtez l'activité qui entraîne une surcharge de l'outil. Ensuite, appuyez de nouveau sur la gâchette pour redémarrer. Si l'outil ne démarre pas, la batterie est en surchauffe. Dans cette situation, laissez refroidir la batterie avant d'appuyer de nouveau sur la gâchette.

### Tension de la batterie faible :

La charge restante de la batterie est trop faible pour que l'outil puisse fonctionner. Dans cette situation, retirez et rechargez la batterie.

## Affichage de la charge restante de la batterie

Uniquement pour les batteries dont le numéro de modèle se termine par « B »



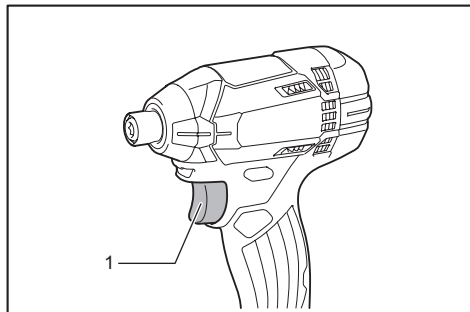
1. Témoins indicateurs 2. Bouton de vérification

Appuyez sur le bouton de vérification de la batterie pour afficher la charge restante de la batterie. Les témoins indicateurs s'allument pendant quelques secondes.

Témoins indicateurs			Charge restante
Allumé	Éteint	Clignotant	
■ ■ ■ ■			75 % à 100 %
■ ■ ■ □			50 % à 75 %
■ ■ □ □			25 % à 50 %
■ □ □ □			0 % à 25 %
▣ □ □ □			Chargez la batterie.
■ □ □ □	↑ ↓	□ □ ■	La batterie a peut-être mal fonctionné.

**NOTE** : Suivant les conditions d'utilisation et la température ambiante, il se peut que l'indication soit légèrement différente de la charge réelle.

## Interrupteur

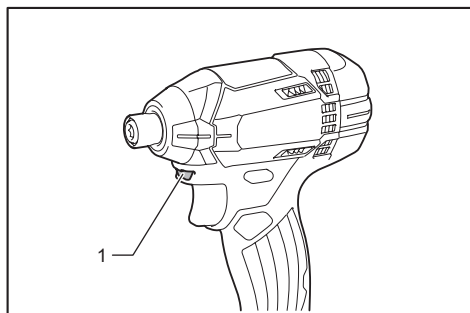


1. Gâchette

**ATTENTION :** Avant d'insérer la batterie dans l'outil, vérifiez toujours que la gâchette fonctionne bien et revient en position d'arrêt lorsque libérée.

Pour mettre l'outil en marche, appuyez simplement sur la gâchette. La vitesse de l'outil augmente à mesure que l'on accroît la pression exercée sur la gâchette. Pour arrêter l'outil, libérez la gâchette.

## Allumage de la lampe avant



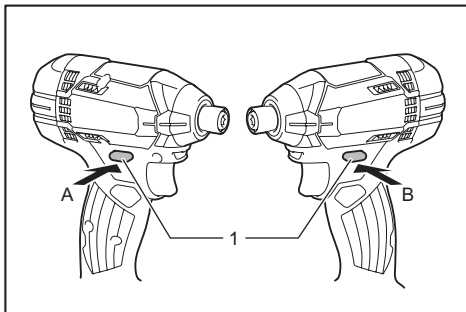
1. Lampe

**ATTENTION :** Évitez de regarder directement le faisceau lumineux ou sa source.

Appuyez sur la gâchette pour allumer la lampe. La lampe demeure allumée tant que la pression sur la gâchette est maintenue. La lampe s'éteint de 10 à 15 secondes après la libération de la gâchette.

**NOTE :** Utilisez un linge sec pour enlever les poussières sur la lentille de la lampe. Prenez garde de rayer la lentille de la lampe, car cela peut affecter son intensité d'éclairage.

## Fonctionnement de l'inverseur



1. Levier inverseur

**ATTENTION :** Vérifiez toujours le sens de rotation avant de mettre l'outil en marche.

**ATTENTION :** N'actionnez l'inverseur qu'une fois l'outil complètement arrêté. Si vous changez le sens de rotation avant l'arrêt de l'outil, vous risquez de l'endommager.

**ATTENTION :** Lorsque vous n'utilisez pas l'outil, placez toujours le levier inverseur en position neutre.

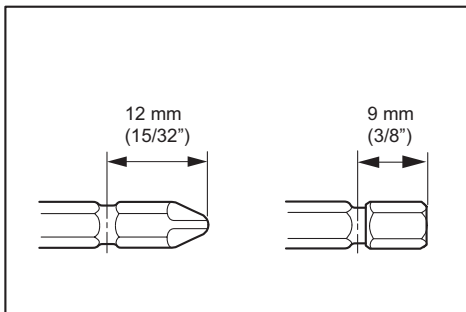
L'outil possède un inverseur qui permet de changer le sens de rotation. Enfoncez le levier inverseur du côté A pour une rotation dans le sens des aiguilles d'une montre, ou du côté B pour une rotation dans le sens contraire des aiguilles d'une montre.

La pression sur la gâchette n'est pas possible lorsque le levier inverseur se trouve en position neutre.

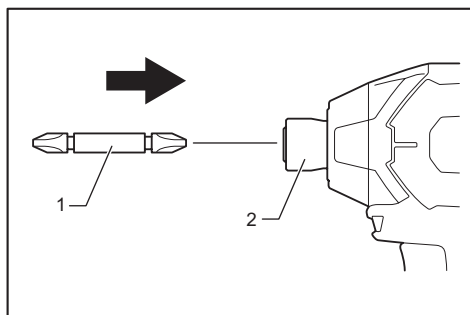
## ASSEMBLAGE

**ATTENTION :** Assurez-vous toujours que l'outil est éteint et que sa batterie est retirée avant d'effectuer tout travail dessus.

## Installation ou retrait de l'embout-tournevis ou de l'embout-douille

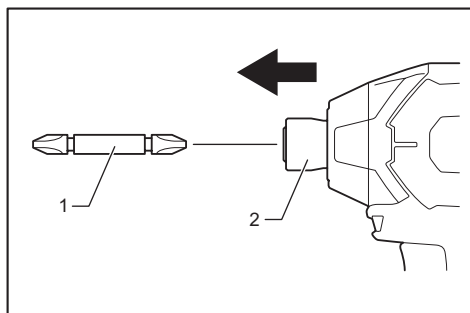


Utilisez uniquement l'embout-tournevis ou l'embout-douille indiqué sur la figure. N'utilisez aucun autre embout-tournevis ou embout-douille.



1. Embout-tournevis 2. Manchon

Pour installer l'embout-tournevis, insérez-le à fond dans le manchon.



1. Embout-tournevis 2. Manchon

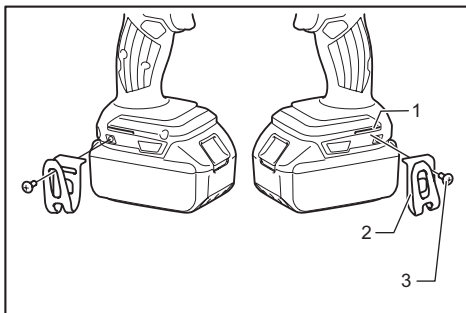
Pour retirer l'embout-tournevis, tirez le manchon dans le sens de la flèche et dégagez l'embout-tournevis.

**NOTE :** Si l'embout-tournevis n'est pas inséré assez profondément dans le manchon, celui-ci ne reviendra sur sa position originale et l'embout-tournevis ne sera pas verrouillé. Le cas échéant, réessayez en suivant les instructions ci-dessus pour insérer l'embout.

**NOTE :** S'il est difficile d'insérer l'embout-tournevis, tirez sur le manchon et insérez l'embout à fond dans le manchon.

**NOTE :** Après avoir inséré l'embout-tournevis, assurez-vous qu'il est bien verrouillé. S'il sort du manchon, ne l'utilisez pas.

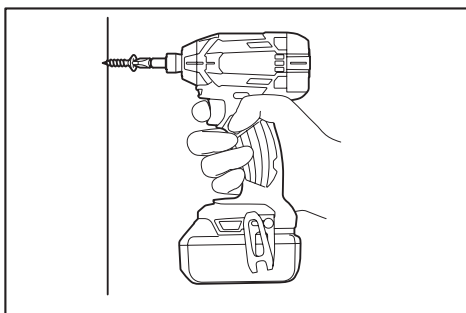
## Installation du crochet



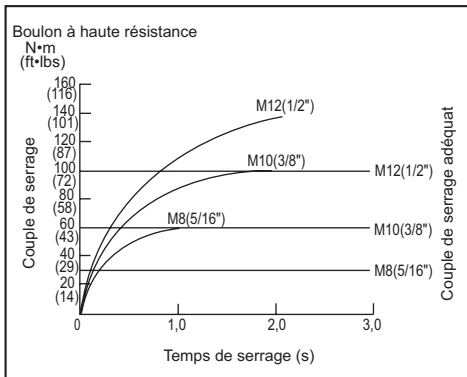
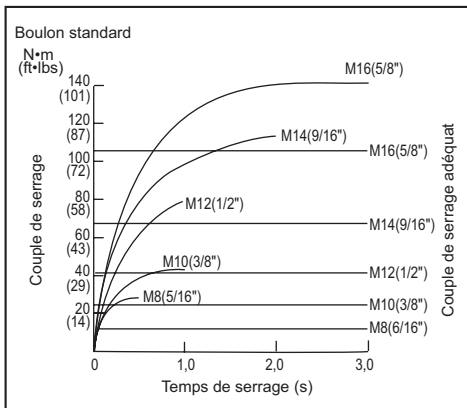
1. Rainure 2. Crochet 3. Vis

L'outil est équipé d'un crochet pratique qui permet de le suspendre temporairement. Il s'installe d'un côté comme de l'autre de l'outil. Pour installer le crochet, insérez-le dans l'une ou l'autre des rainures situées de chaque côté du boîtier de l'outil, puis serrez-le avec une vis. Pour le retirer, desserrez la vis et enlevez-la.

## UTILISATION



Le couple de serrage adéquat peut varier en fonction du type ou de la dimension de la vis/du boulon, du matériau de la pièce à fixer, etc. Le rapport entre le couple de serrage et le temps de serrage est indiqué sur les figures.



Tenez l'outil fermement et placez la pointe de l'embout-tournevis dans la tête de la vis. Appliquez à l'outil une pression vers l'avant suffisante pour que l'embout ne glisse pas hors de la vis, et mettez le contact pour commencer à visser.

**AVIS : Si vous devez utiliser une batterie de recharge pour poursuivre le travail, laissez d'abord reposer l'outil pendant au moins 15 minutes.**

**NOTE :** Utilisez l'embout qui convient à la tête de la vis/du boulon utilisé.

**NOTE :** Lors de la pose d'une vis M8 ou plus petite, choisissez une force de frappe adéquate et dosez soigneusement la pression exercée sur la gâchette, pour éviter d'endommager la vis.

**NOTE :** Tenez votre outil bien droit sur la vis.

**NOTE :** Si la force de frappe est excessive et que vous serrez la vis plus longtemps qu'indiqué sur les figures, la vis ou la pointe de l'embout-tournevis risque de subir une contrainte excessive, de foier, d'être endommagée, etc. Avant de commencer votre travail, effectuez toujours un essai pour déterminer la durée de serrage appropriée pour votre vis.

Le couple de serrage dépend d'un certain nombre de facteurs, dont les suivants. Une fois le serrage terminé, vérifiez toujours le couple avec une clé dynamométrique.

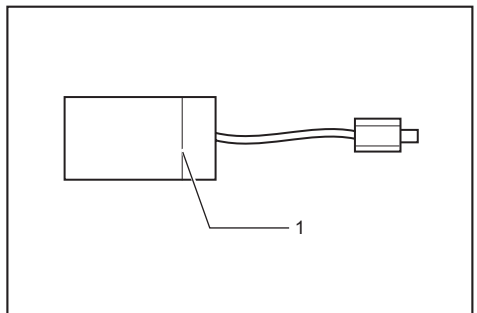
- Lorsque la batterie est presque complètement déchargée, la tension tombe et le couple de serrage diminue.
- Embout-tournevis ou embout-douille  
L'utilisation d'un embout-tournevis ou d'un embout-douille de mauvaise dimension entraînera une diminution du couple de serrage.
- Boulon
  - Même si le coefficient du couple et la catégorie du boulon sont les mêmes, le couple de serrage adéquat variera en fonction du diamètre de boulon.
  - Même si les diamètres des boulons sont les mêmes, le couple de serrage adéquat variera en fonction du coefficient de couple, de la catégorie du boulon et de la longueur du boulon.
- Le couple de serrage est affecté par la façon dont vous tenez l'outil ou par la position de vissage dans la pièce à visser.
- L'utilisation de l'outil à vitesse réduite entraîne une diminution du couple de serrage.

## ENTRETIEN

**ATTENTION :** Assurez-vous toujours que l'outil est hors tension et que la batterie est retirée avant d'y effectuer tout travail d'inspection ou d'entretien.

**AVIS :** N'utilisez jamais d'essence, de benzine, de solvant, d'alcool ou autres produits similaires. Une décoloration, une déformation ou la formation de fissures peuvent en découler.

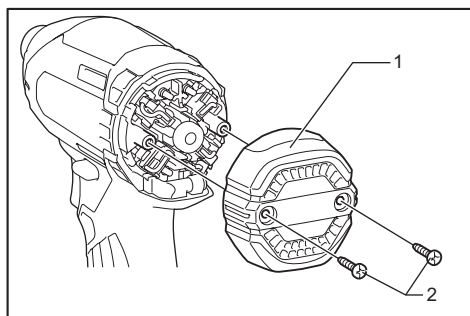
## Remplacement des charbons



1. Trait de limite d'usure

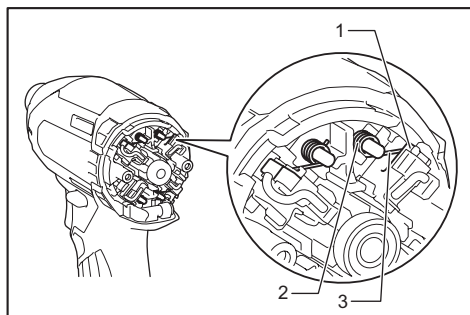
Remplacez-les lorsqu'ils sont usés jusqu'au trait de limite d'usure. Maintenez les charbons propres et en état de glisser aisément dans les porte-charbons. Tous les charbons doivent être remplacés en même temps. N'utilisez que des charbons identiques.

- Retirez les deux vis à l'aide d'un tournevis, puis retirez le couvercle arrière.



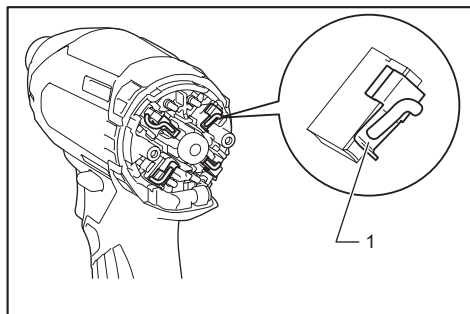
1. Couvercle arrière 2. Vis

2. Soulevez le bras du ressort puis placez-le dans la partie creuse du boîtier à l'aide d'un tournevis à pointe plate et tige mince, ou d'un outil similaire.



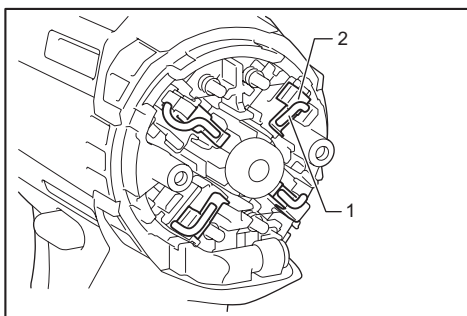
1. Partie creuse 2. Ressort 3. Bras

3. Utilisez une paire de pinces pour retirer les capuchons de charbon. Enlevez les charbons usés, insérez les neufs et remettez en place les capuchons de charbon.



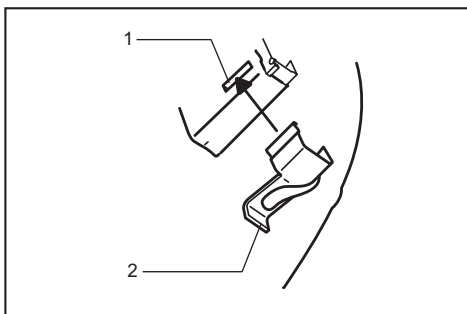
1. Capuchon de charbon

4. Vous devez placer le fil de sortie du côté opposé au bras.



1. Fil de sortie 2. Capuchon de charbon

5. Assurez-vous que les capuchons de charbon sont bien verrouillés dans les orifices des porte-charbons.



1. Orifice 2. Capuchon de charbon

6. Remettez en place le couvercle arrière et serrez fermement les deux vis.

7. Insérez la batterie dans l'outil et rodez les charbons en faisant tourner l'outil à vide pendant environ 1 minute.

8. Vérifiez l'outil pendant qu'il tourne et assurez-vous que le frein électrique fonctionne lorsque vous libérez la gâchette. Si le frein électrique ne fonctionne pas bien, faites réparer l'outil dans un centre de service après-vente autorisé ou une usine Makita.

Pour maintenir la SÉCURITÉ et la FIABILITÉ du produit, les réparations et tout autre travail d'entretien ou de réglage doivent être effectués dans un centre de service après-vente autorisé ou une usine Makita, exclusivement avec des pièces de rechange Makita.

## ACCESSOIRES EN OPTION

**⚠ATTENTION :** Ces accessoires ou pièces complémentaires sont recommandés pour l'utilisation avec l'outil Makita spécifié dans ce manuel. L'utilisation de tout autre accessoire ou pièce complémentaire peut comporter un risque de blessure. N'utilisez les accessoires ou pièces complémentaires qu'aux fins auxquelles ils ont été conçus.

Si vous désirez obtenir plus de détails sur ces accessoires, veuillez contacter le centre de service après-vente Makita le plus près.

- Embouts-tournevis
- Crochet
- Mallette de transport en plastique
- Chargeur et batterie authentiques Makita
- Protecteur de batterie

**NOTE** : Certains éléments de la liste peuvent être inclus avec l'outil comme accessoires standards. Ils peuvent varier suivant les pays.

## **GARANTIE LIMITÉE D'UN AN DE MAKITA**

### **Politique de garantie**

Tous les outils Makita sont soigneusement inspectés et mis à l'essai avant de quitter l'usine. Ils sont garantis contre les vices de fabrication et de matériau pour une période d'UN AN suivant la date de l'achat original. Si un problème survient pendant cette période d'un an, retournez l'outil COMPLET, fret payé d'avance, à une usine ou un centre de service après-vente autorisé Makita. S'il ressort de l'inspection que le problème est dû à un vice de fabrication ou de matériau, Makita réparera (ou remplacera, à son gré) l'outil gratuitement.

Cette garantie ne s'applique pas dans les cas où :

- des réparations ont été effectuées ou tentées par un tiers;
- des réparations sont nécessaires en raison de l'usure normale;
- l'outil a été malmené, mal utilisé ou non adéquatement entretenu;
- l'outil a subi des modifications.

**MAKITA NE SERA EN AUCUN CAS RESPONSABLE DE TOUS DOMMAGES INDIRECTS, ACCESSOIRES OU CONSÉCUTIFS DE LA VENTE OU DE L'UTILISATION DU PRODUIT. CET AVIS DE NON-RESPONSABILITÉ S'APPLIQUE PENDANT ET APRÈS LA PÉRIODE COUVERTE PAR CETTE GARANTIE.**

**MAKITA DÉCLINE TOUTE RESPONSABILITÉ QUANT À TOUTES GARANTIES IMPLICITES, Y COMPRIS LES GARANTIES DE « QUALITÉ MARCHANDE » OU D'« ADAPTATION À UN USAGE PARTICULIER » APRÈS LA PÉRIODE DE GARANTIE D'UN AN.**

Cette garantie vous donne des droits légaux spécifiques, et vous pouvez également avoir d'autres droits qui varient d'une province à l'autre. Certaines provinces n'autorisant pas l'exclusion ou la restriction des dommages accessoires ou consécutifs, il se peut que la restriction ou l'exclusion ci-dessus ne s'applique pas à vous. Certaines provinces n'autorisant pas de restriction quant à la durée des garanties implicites, il se peut que la restriction ci-dessus ne s'applique pas à vous.



# ESPECIFICACIONES

Modelo:		XDT11	
Capacidades de apriete	Tornillo de máquina	4 mm - 8 mm (5/32" - 5/16")	
	Tornillo estándar	5 mm - 16 mm (3/16" - 5/8")	
	Tornillo de alta resistencia	5 mm - 12 mm (3/16" - 1/2")	
Velocidad sin carga (rpm)		0 - 2 900 r/min	
Impactos por minuto		0 - 3 500 ipm	
Longitud total		137 mm (5-3/8")	
Tensión nominal		18 V c.c.	
Cartucho de batería estándar	BL1815, BL1815N, BL1820, BL1820B	BL1830, BL1840, BL1850, BL1840B, BL1850B	
Peso neto	1,3 kg (2,8 lbs)	1,5 kg (3,3 lbs)	

- Debido a nuestro continuo programa de investigación y desarrollo, las especificaciones aquí incluidas están sujetas a cambio sin previo aviso.
- Las especificaciones y el cartucho de batería pueden variar de país a país.
- Peso de acuerdo al procedimiento de EPTA-01/2003 incluyendo el cartucho de batería

## Advertencias generales de seguridad para herramientas eléctricas

**⚠ADVERTENCIA:** Lea todas las advertencias de seguridad e instrucciones. El no seguir las advertencias e instrucciones indicadas puede ocasionar una descarga eléctrica, un incendio y/o lesiones graves.

## Conserve todas las advertencias e instrucciones como referencia en el futuro.

En las advertencias, el término "herramienta eléctrica" se refiere a su herramienta eléctrica de funcionamiento con conexión a la red eléctrica (con cableado eléctrico) o herramienta eléctrica de funcionamiento a batería (inalámbrica).

### Seguridad en el área de trabajo

1. **Mantenga el área de trabajo limpia y bien iluminada.** Las áreas oscuras o desordenadas son propensas a accidentes.
2. **No utilice las herramientas eléctricas en atmósferas explosivas, tal como en la presencia de líquidos, gases o polvo inflamables.** Las herramientas eléctricas crean chispas que pueden prender fuego al polvo o los humos.
3. **Mantenga a los niños y curiosos alejados mientras utiliza una herramienta eléctrica.** Las distracciones le pueden hacer perder el control.

### Seguridad eléctrica

1. **Las clavijas de conexión de las herramientas eléctricas deberán encajar perfectamente en la toma de corriente. No modifique nunca la clavija de conexión de ninguna forma. No utilice ninguna clavija adaptadora con herramientas eléctricas que tengan conexión a tierra (puesta a tierra).** La utilización de clavijas no modificadas

y que encajen perfectamente en la toma de corriente reducirá el riesgo de que se produzca una descarga eléctrica.

2. **Evite tocar con el cuerpo superficies conectadas a tierra o puestas a tierra tales como tubos, radiadores, cocinas y refrigeradores.** Si su cuerpo es puesto a tierra o conectado a tierra existirá un mayor riesgo de que sufra una descarga eléctrica.
3. **No exponga las herramientas eléctricas a la lluvia ni a condiciones húmedas.** La entrada de agua en una herramienta eléctrica aumentará el riesgo de que se produzca una descarga eléctrica.
4. **No maltrate el cable. Nunca utilice el cable para transportar, jalar o desconectar la herramienta eléctrica. Mantenga el cable alejado del calor, aceite, objetos cortantes o piezas móviles.** Los cables dañados o enredados aumentan el riesgo de sufrir una descarga eléctrica.
5. **Cuando utilice una herramienta eléctrica en exteriores, utilice un cable de extensión apropiado para uso en exteriores.** La utilización de un cable apropiado para uso en exteriores reducirá el riesgo de que se produzca una descarga eléctrica.
6. **Si no es posible evitar usar una herramienta eléctrica en condiciones húmedas, utilice un alimentador protegido con interruptor de circuito de falla a tierra (ICFT).** El uso de un ICFT reduce el riesgo de descarga eléctrica.

### Seguridad personal

1. **Manténgase alerta, preste atención a lo que está haciendo y utilice su sentido común cuando opere una herramienta eléctrica. No utilice una herramienta eléctrica cuando esté cansado o bajo la influencia de drogas, alcohol o medicamentos.** Un momento de distracción mientras opera las herramientas eléctricas puede terminar en una lesión grave.
2. **Use equipo de protección personal. Póngase siempre protección para los ojos.** El equipo protector tal como máscara contra el polvo,

zapatos de seguridad antiderrapantes, casco rígido y protección para oídos utilizado en las condiciones apropiadas reducirá el riesgo de lesiones.

3. **Impida el encendido accidental. Asegúrese de que el interruptor esté en la posición de apagado antes de conectar a la alimentación eléctrica y/o de colocar el cartucho de batería, así como al levantar o cargar la herramienta.** Cargar las herramientas eléctricas con su dedo en el interruptor o enchufarlas con el interruptor encendido hace que los accidentes sean comunes.
4. **Retire cualquier llave de ajuste o llave de apriete antes de encender la herramienta.** Una llave de ajuste o llave de apriete que haya sido dejada puesta en una parte giratoria de la herramienta eléctrica puede ocasionar alguna lesión.
5. **No utilice la herramienta donde no alcance. Mantenga los pies sobre suelo firme y el equilibrio en todo momento.** Esto permite un mejor control de la herramienta eléctrica en situaciones inesperadas.
6. **Use vestimenta apropiada. No use ropas sueltas ni joyas. Mantenga el cabello, la ropa y los guantes alejados de las piezas móviles.** Las prendas de vestir holgadas, las joyas y el cabello suelto podrían engancharse en las piezas móviles.
7. **Si dispone de dispositivos para la conexión de equipos de extracción y recolección de polvo, asegúrese de conectarlos y utilizarlos debidamente.** Hacer uso de la recolección de polvo puede reducir los riesgos relacionados con el polvo.

#### **Mantenimiento y uso de la herramienta eléctrica**

1. **No fuerce la herramienta eléctrica. Utilice la herramienta eléctrica correcta para su aplicación.** La herramienta eléctrica adecuada hará un mejor trabajo y de forma más segura a la velocidad para la que ha sido fabricada.
2. **No utilice la herramienta eléctrica si el interruptor no la enciende y apaga.** Cualquier herramienta eléctrica que no pueda ser controlada con el interruptor es peligrosa y debe ser reemplazada.
3. **Desconecte la clavija de la fuente de energía y/o la batería de la herramienta eléctrica antes de realizar ajustes, cambiar accesorios o guardar las herramientas eléctricas.** Dichas medidas de seguridad preventivas reducen el riesgo de que la herramienta se inicie accidentalmente.
4. **Guarde la herramienta eléctrica que no use fuera del alcance de los niños y no permita que las personas que no están familiarizadas con ella o con las instrucciones la operen.** Las herramientas eléctricas son peligrosas en manos de personas que no saben operarlas.
5. **Realice el mantenimiento a las herramientas eléctricas. Compruebe que no haya partes móviles desalineadas o estancadas, piezas rotas y cualquier otra condición que pueda afectar al funcionamiento de la herramienta eléctrica. Si la herramienta eléctrica está dañada, haga que se la reparen antes de utilizarla.** Muchos accidentes son ocasionados

por herramientas eléctricas con mantenimiento inadecuado.

6. **Mantenga las herramientas de corte limpias y filosas.** Si recibe un mantenimiento adecuado y tiene los bordes afilados, es probable que la herramienta se atasque menos y sea más fácil controlarla.
7. **Utilice la herramienta eléctrica, los accesorios y las brocas de acuerdo con estas instrucciones, considerando las condiciones laborales y el trabajo a realizar.** Si utiliza la herramienta eléctrica para realizar operaciones distintas de las indicadas, podrá presentarse una situación peligrosa.

#### **Uso y cuidado de la herramienta a batería**

1. **Recargue sólo con el cargador especificado por el fabricante.** Un cargador que es adecuado para un solo tipo de batería puede generar riesgo de incendio al ser utilizado con otra batería.
2. **Utilice las herramientas eléctricas solamente con las baterías designadas específicamente para ellas.** La utilización de cualquier otra batería puede crear un riesgo de lesiones o incendio.
3. **Cuando no se esté usando la batería, manténgala alejada de otros objetos metálicos, como sujetapapeles (clips), monedas, llaves, clavos, tornillos u otros objetos pequeños de metal los cuales pueden actuar creando una conexión entre las terminales de la batería.** Originar un cortocircuito en las terminales puede causar quemaduras o incendios.
4. **En condiciones abusivas, podrá escapar líquido de la batería; evite tocarlo. Si lo toca accidentalmente, enjuague con agua. Si hay contacto del líquido con los ojos, busque asistencia médica.** Puede que el líquido expulsado de la batería cause irritación o quemaduras.

#### **Servicio**

1. **Haga que una persona calificada repare la herramienta eléctrica utilizando sólo piezas de repuesto idénticas.** Esto asegura que se mantenga la seguridad de la herramienta eléctrica.
2. **Siga las instrucciones para la lubricación y cambio de accesorios.**
3. **Mantenga las agarraderas secas, limpias y sin aceite o grasa.**

### **Advertencias de seguridad para el atornillador de impacto inalámbrico**

1. **Sujete la herramienta eléctrica por las superficies de agarre aisladas al realizar una operación en la que el sujetador pueda entrar en contacto con cables ocultos.** Si el sujetador entra en contacto con un cable con corriente, las piezas metálicas expuestas de la herramienta eléctrica se cargarán también de corriente y el operario puede recibir una descarga.
2. **Asegúrese siempre de que pisa sobre suelo firme.**
3. **Asegúrese de que no haya nadie debajo cuando utilice la herramienta en lugares altos.**
3. **Sujete la herramienta con firmeza.**
4. **Póngase protectores de oídos.**
5. **No toque la broca o pieza de trabajo inmediatamente después de la operación. Podrían estar**

extremadamente calientes y provocarle una quemadura.

- Mantenga las manos alejadas de las piezas giratorias.


## GUARDE ESTAS INSTRUCCIONES.

**⚠ADVERTENCIA:** NO DEJE que la comodidad o familiaridad con el producto (a base de utilizarlo repetidamente) evite que siga estrictamente las normas de seguridad para dicho producto.

El USO INCORRECTO o el no seguir las normas de seguridad indicadas en este manual de instrucciones puede ocasionar lesiones graves.

### Símbolos

A continuación se muestran los símbolos utilizados para la herramienta.

V	voltios
—	corriente continua
$n_0$	velocidad sin carga
... /min r /min	revoluciones o alternaciones por minuto
	número de percusiones

### Instrucciones importantes de seguridad para el cartucho de batería

- Antes de utilizar el cartucho de batería, lea todas las instrucciones e indicaciones de precaución en el (1) el cargador de batería, (2) la batería, y (3) el producto con el que se utiliza la batería.
- No desarme el cartucho de batería.
- Si el tiempo de operación se ha acortado en exceso, deje de operar de inmediato. Podría correrse el riesgo de sobrecalentamiento, posibles quemaduras e incluso explosión.
- En caso de que ingresen electrolitos en sus ojos, enjuáguelos bien con agua limpia y consulte de inmediato a un médico. Esto podría ocasionar pérdida de visión.
- Evite cortocircuitar el cartucho de batería:
  - No toque las terminales con ningún material conductor.
  - Evite guardar el cartucho de batería en un cajón junto con otros objetos metálicos, tales como clavos, monedas, etc.
  - No exponga el cartucho de batería al agua o la lluvia.

Un cortocircuito en la batería puede causar un flujo grande de corriente, sobrecalentamiento, posibles quemaduras e incluso una descompostura.

- No guarde la herramienta ni el cartucho de batería en lugares donde la temperatura pueda alcanzar o exceder los 50°C (122°F).
- Nunca incinere el cartucho de batería incluso en el caso de que esté dañado seriamente o ya no sirva en absoluto. El cartucho de batería puede explotar si se tira al fuego.
- Tenga cuidado de no dejar caer ni golpear la batería.
- No use una batería dañada.
- Siga las regulaciones locales relacionadas al desecho de las baterías.

## GUARDE ESTAS INSTRUCCIONES.

### Consejos para alargar al máximo la vida útil de la batería

- Cargue el cartucho de batería antes de que se descargue completamente. Pare siempre la operación y cargue el cartucho de batería cuando note menos potencia en la herramienta.
- No cargue nunca un cartucho de batería que esté completamente cargado. La sobrecarga acortará la vida de servicio de la batería.
- Cargue el cartucho de batería a una temperatura ambiente de 10 °C - 40 °C (50 °F - 104 °F). Si un cartucho de batería está caliente, déjelo enfriar antes de cargarlo.
- Cargue el cartucho de batería si no va a utilizarlo durante un período prolongado (más de seis meses).

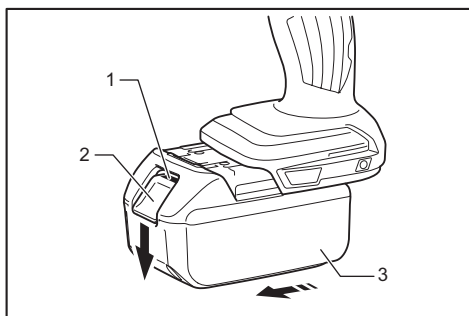
## DESCRIPCIÓN DEL FUNCIONAMIENTO

**⚠PRECAUCIÓN:** Asegúrese siempre de que la herramienta esté apagada y el cartucho de batería haya sido extraído antes de realizar cualquier ajuste o comprobación en la herramienta.

### Instalación o extracción del cartucho de batería

**⚠PRECAUCIÓN:** Apague siempre la herramienta antes de colocar o quitar el cartucho de batería.

**⚠PRECAUCIÓN:** Sujete la herramienta y el cartucho de la batería con firmeza al colocar o quitar el cartucho de batería. Si no se sujeta con firmeza la herramienta y el cartucho de batería, puede ocasionar que se resbalen de sus manos causando daños a la herramienta y al cartucho de batería, así como lesiones a la persona.



1. Indicador rojo 2. Botón 3. Cartucho de batería

Para quitar el cartucho de batería, deslícelo de la herramienta mientras desliza el botón sobre la parte delantera del cartucho.

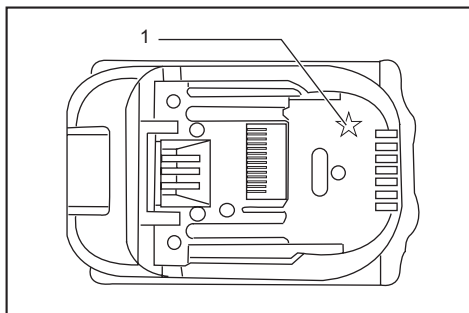
Para colocar el cartucho de batería, alinee la lengüeta sobre el cartucho de batería con la ranura en la carcasa y deslice en su lugar. Inserte por completo hasta que se fije en su lugar con un pequeño clic. Si puede ver el indicador rojo del lado superior del botón, esto indica que no ha quedado fijo por completo.

**⚠PRECAUCIÓN:** Introduzca siempre completamente el cartucho de batería hasta que el indicador rojo no pueda verse. Si no, podría accidentalmente salirse de la herramienta y caer al suelo causando una lesión a usted o alguien a su alrededor.

**⚠PRECAUCIÓN:** No instale el cartucho de batería a la fuerza. Si el cartucho no se desliza al interior fácilmente, se debe a que no está siendo insertado correctamente.

## Sistema de protección de batería

Batería de ión de litio con marca de estrella



1. Marca de estrella

Las baterías de ión de litio con una marca de estrella están equipadas con un sistema de protección. Este sistema corta en forma automática el suministro de energía a la herramienta para prolongar la vida útil de la batería.

La herramienta se detendrá automáticamente durante el funcionamiento si la herramienta y/o la batería se someten a una de las siguientes condiciones:

## Sobrecarga:

La herramienta se está utilizando de una manera que causa que consuma una cantidad de corriente inusualmente alta.

En este caso, libere el gatillo interruptor en la herramienta y detenga la aplicación que causó que la herramienta se sobrecargara. Luego, vuelva a jalar el gatillo interruptor para reanudar el funcionamiento.

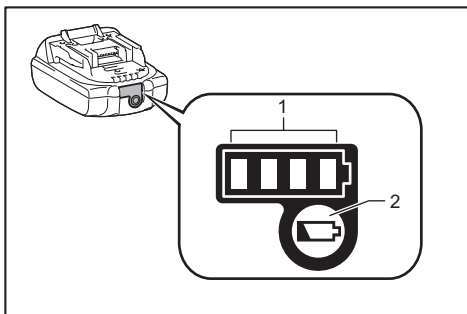
Si la herramienta no empieza a funcionar, significa que la batería se sobrecalentó. En este caso, espere a que la batería se enfríe antes de volver a jalar el gatillo interruptor.

## Bajo voltaje de la batería:

La capacidad restante de la batería es demasiado baja y la herramienta no funcionará. En este caso, extraiga la batería y vuelva a cargarla.

## Indicación de la capacidad restante de la batería

Sólo para cartuchos de batería con una "B" al final del número de modelo



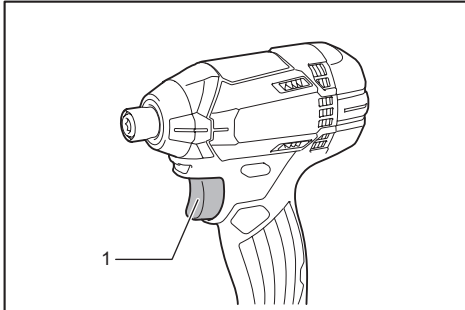
1. Luces indicadoras 2. Botón de verificación

Oprima el botón de verificación en el cartucho de la batería para que indique la capacidad restante de la batería. Las luces indicadoras se iluminarán por algunos segundos.

Luces indicadoras			Capacidad restante
Iluminadas	Apagadas	Parpadeando	
■ ■ ■ ■			75% a 100%
■ ■ ■	□		50% a 75%
■ ■	□ □		25% a 50%
■	□ □ □		0% a 25%
▬	□ □ □		Cargar la batería.
■ ■ □ □			La batería pudo haber funcionado mal.
□ □ ■ ■			

**NOTA:** Dependiendo de las condiciones de uso y la temperatura ambiente, la indicación podrá diferir ligeramente de la capacidad real.

## Accionamiento del interruptor

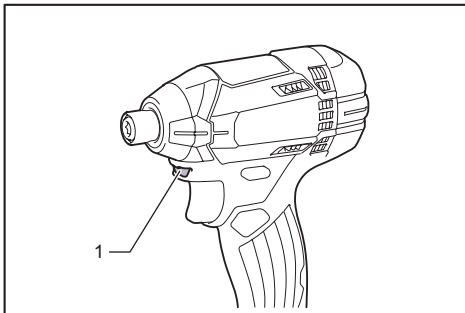


1. Gatillo interruptor

**⚠PRECAUCIÓN:** Antes de insertar el cartucho de batería en la herramienta, compruebe siempre y cerciórese de que el gatillo interruptor se acciona debidamente y que vuelve a la posición “OFF” (apagado) cuando lo suelta.

Para poner en marcha la herramienta, simplemente apriete el gatillo interruptor. La velocidad de la herramienta aumenta incrementando la presión en el gatillo. Para detenerla, suelte el gatillo.

## Iluminación de la luz delantera



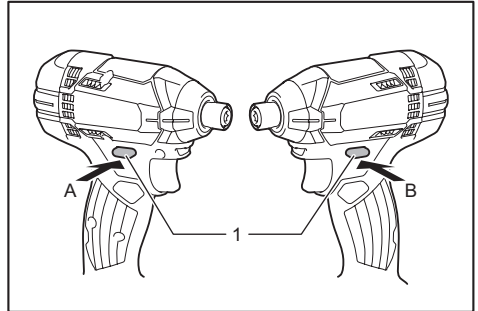
1. Luz

**⚠PRECAUCIÓN:** No mire a la luz ni vea a la fuente de luz directamente.

Jale el gatillo interruptor para encender la luz. La luz seguirá encendida mientras se esté jalando el gatillo. La luz se apaga 10 segundos - 15 segundos después de soltarse el gatillo.

**NOTA:** Utilice un paño seco para quitar la suciedad de la lente de la lámpara. Tenga cuidado de no rayar la lente de la lámpara ya que la iluminación podría disminuir.

## Accionamiento del interruptor de inversión



1. Palanca del interruptor de inversión

**⚠PRECAUCIÓN:** Confirme siempre la dirección de rotación antes de la operación.

**⚠PRECAUCIÓN:** Utilice el interruptor de inversión solamente después de que la herramienta haya parado completamente. Si cambia la dirección de rotación antes de que la herramienta haya parado podría dañarla.

**⚠PRECAUCIÓN:** Cuando no esté utilizando la herramienta, ponga siempre la palanca del interruptor de inversión en la posición neutral.

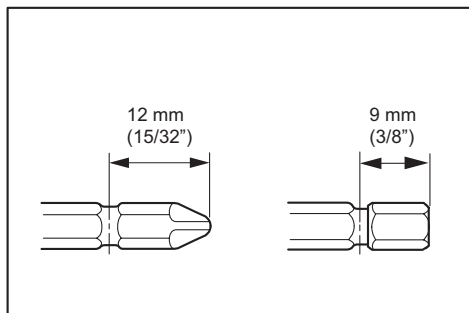
Esta herramienta tiene un interruptor de inversión para cambiar la dirección de rotación. Presione la palanca del interruptor de inversión desde el lado A para una rotación en sentido de las manecillas del reloj o desde el lado B, para una rotación en sentido inverso al de las manecillas del reloj.

Cuando la palanca del interruptor de inversión esté en la posición neutral, no se podrá jalar el gatillo interruptor.

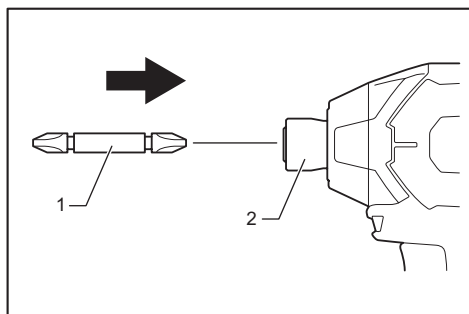
## MONTAJE

**⚠PRECAUCIÓN:** Asegúrese siempre de que la herramienta esté apagada y el cartucho de batería haya sido extraído antes de realizar cualquier trabajo en la misma.

## Instalación o extracción de la punta de destornillador/punta de atornillar

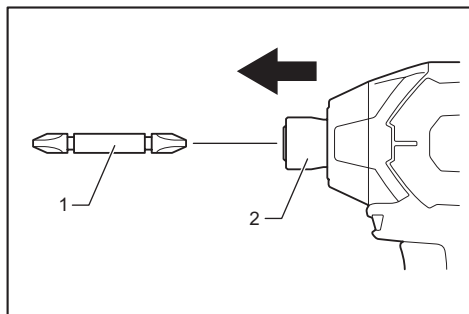


Utilice únicamente la punta de destornillador/punta de atornillar que se muestra en la figura. No utilice ninguna otra punta de destornillador/punta de atornillar.



1. Punta de destornillador 2. Mandril

Para instalar la punta de destornillador, insértela completamente en el mandril.



1. Punta de destornillador 2. Mandril

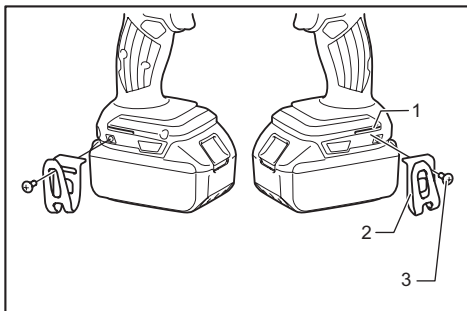
Para quitar la punta de destornillador, jale el mandril en dirección de la flecha y jale la punta de destornillador hacia afuera.

**NOTA:** Si la punta de destornillador no se encuentra insertada hasta el fondo en el mandril, éste no regresará a su posición original y la punta de destornillador no quedará asegurada. En este caso, procure insertar la broca de nuevo siguiendo las instrucciones de arriba.

**NOTA:** Si tiene dificultades para insertar la punta de destornillador, jale el mandril e inserte la broca tanto como sea posible.

**NOTA:** Tras insertar la punta de destornillador, asegúrese de que quede firmemente ajustada. Si se sale, no la utilice.

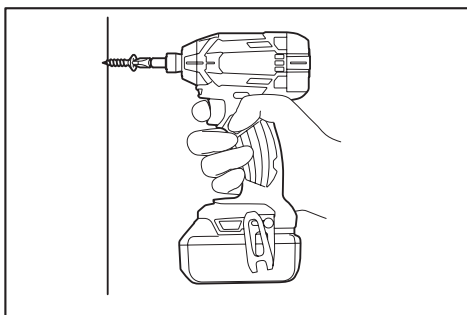
## Instalación del gancho



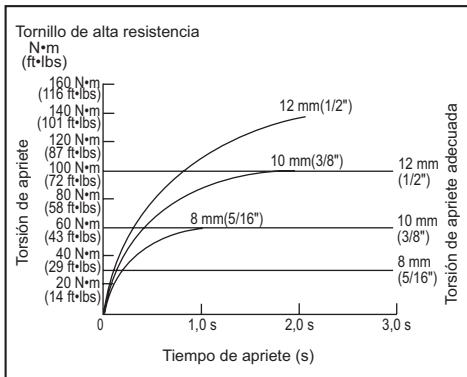
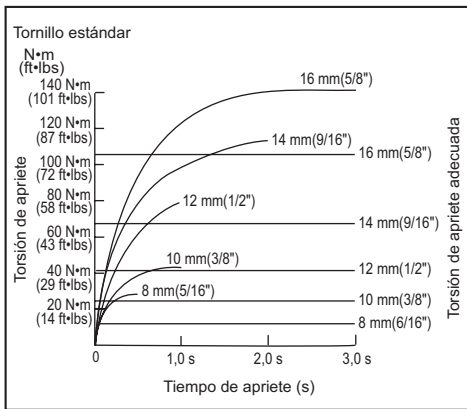
1. Ranura 2. Gancho 3. Tornillo

El gancho resulta útil para colgar temporalmente la herramienta. Se puede instalar en cualquiera de los lados de la herramienta. Para instalar el gancho, insértelo en una ranura de la carcasa de la herramienta de cualquiera de los lados y después sujételo con un tornillo. Para quitarlo, afloje el tornillo y después sáquelo.

## OPERACIÓN



La torsión de apriete adecuada podrá variar dependiendo del tipo o tamaño del tornillo/perno, el material de la pieza de trabajo a apretar, etc. La relación entre la torsión de apriete y el tiempo de apriete se muestra en las figuras.



Sujete la herramienta firmemente y coloque la punta de destornillador en la cabeza del tornillo. Aplique presión frontal a la herramienta de manera que la broca no se deslice del tornillo y encienda la herramienta para comenzar la operación.

**AVISO:** Si está utilizando una batería de repuesto para continuar la operación, deje de usar la herramienta por lo menos 15 min.

**NOTA:** Utilice la broca apropiada para la cabeza del tornillo/perno que desee utilizar.

**NOTA:** Al fijar tornillos 8 mm o menores, seleccione una fuerza de impacto adecuada y ajuste cuidadosamente la presión sobre el gatillo interruptor para evitar que el tornillo se dañe.

**NOTA:** Sujete la herramienta dirigida en línea recta al tornillo.

**NOTA:** Si la fuerza de impacto es muy fuerte y aprieta el tornillo por un período mayor que el mostrado en las ilustraciones, el tornillo o la punta de la punta de destornillador pueden sobrecargarse, barrerse, dañarse, etc. Antes de comenzar la labor, siempre realice una operación de prueba para determinar el tiempo adecuado de fijación para sus tornillos.

La torsión de apriete se ve afectada por una amplia variedad de factores incluyendo los siguientes. Después del apriete, compruebe siempre la torsión con una llave de torsión.

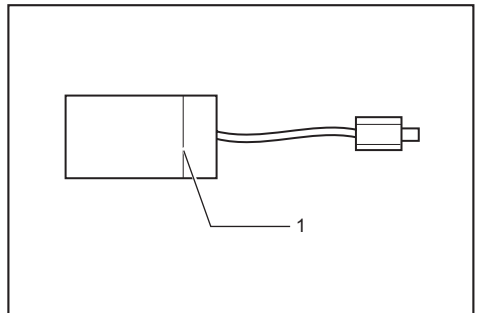
1. Cuando el cartucho de batería esté casi completamente descargado, caerá la tensión y se reducirá la torsión de apriete.
2. Punta de destornillador o punta de atornillar  
El no utilizar el tamaño correcto de punta de destornillador o punta de atornillar ocasionará una reducción de la torsión de apriete.
3. Perno
  - Incluso si el coeficiente de torsión y la clase de tornillo son los mismos, la adecuada torsión de apriete variará en función del diámetro del tornillo.
  - Incluso si el diámetro del tornillo o perno es el mismo, la torsión de apriete correcta variará de acuerdo con el coeficiente de torsión, la clase y la longitud del perno o tornillo.
4. La forma de sostener la herramienta o el material en la posición a apretar afectará a la torsión.
5. La operación de la herramienta a baja velocidad ocasionará una reducción de la torsión de apriete.

## MANTENIMIENTO

**PRECAUCIÓN:** Asegúrese siempre de que la herramienta esté apagada y el cartucho de batería extraído antes de intentar realizar una inspección o mantenimiento.

**AVISO:** Nunca use gasolina, bencina, diluyente (tíner), alcohol o sustancias similares. Puede que esto ocasione grietas o descoloramiento.

## Reemplazo de las escobillas de carbón

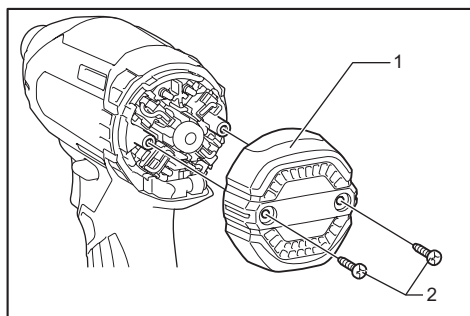


1. Marca límite

Sustitúyalas cuando se hayan gastado hasta la marca límite. Mantenga las escobillas de carbón limpias de forma que entren libremente en los portaescobillas. Todas las escobillas de carbón deberán ser sustituidas al mismo tiempo. Utilice únicamente escobillas de carbón originales e idénticas.

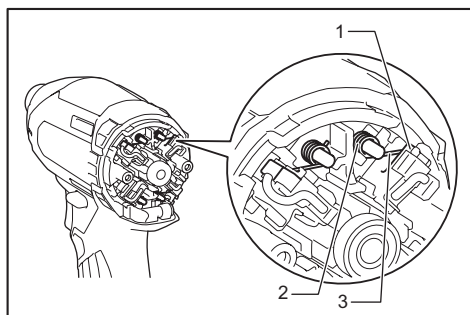
1. Utilice un destornillador para quitar los dos tornillos y después quite la cubierta posterior.





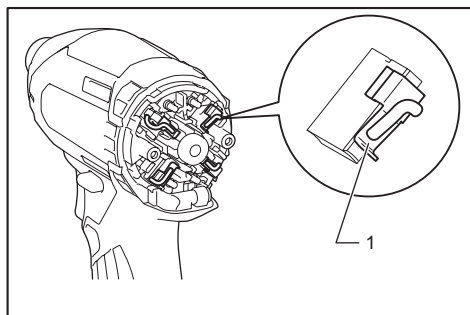
1. Cubierta posterior 2. Tornillo

2. Levante la parte del brazo del resorte y después póngalo en la parte empotrada del alojamiento con un destornillador de punta plana de eje largo y fino o similar.



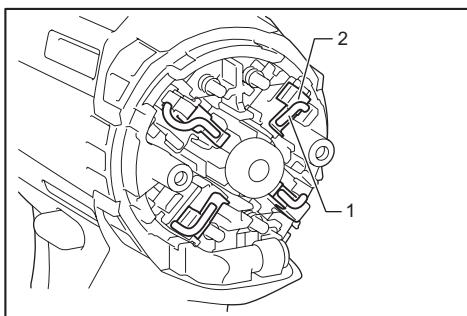
1. Parte empotrada 2. Resorte 3. Brazo

3. Utilice tenazas para quitar las tapas de las escobillas de carbón. Quite las escobillas de carbón gastadas, inserte las nuevas y reemplace las tapas de las escobillas de carbón a la inversa.



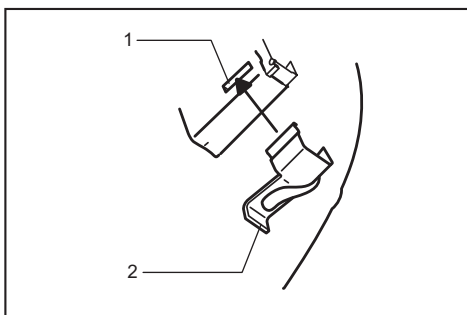
1. Tapa de las escobillas de carbón

4. Asegúrese de colocar el cable conductor en el lado opuesto al del brazo.



1. Cable conductor 2. Tapa de las escobillas de carbón

5. Asegúrese de que las tapas de las escobillas de carbón hayan encajado en forma segura en los orificios de los portaescobillas.



1. Orificio 2. Tapa de las escobillas de carbón

6. Vuelva a instalar la cubierta posterior y apriete los dos tornillos firmemente.

7. Inserte el cartucho de batería en la herramienta y hágale el rodaje a las escobillas haciendo funcionar la herramienta sin carga durante 1 minuto aproximadamente.

8. Verifique la herramienta en funcionamiento y la operación del freno eléctrico cuando suelte el gatillo interruptor. Si el freno eléctrico no funciona bien, pida a su centro de servicio autorizado o de fábrica Makita que se lo repare.

Para mantener la SEGURIDAD y FIABILIDAD del producto, las reparaciones, y cualquier otra tarea de mantenimiento o ajuste deberán ser realizadas en centros de servicio autorizados o de fábrica Makita, empleando siempre repuestos Makita.

# ACCESORIOS OPCIONALES

**⚠PRECAUCIÓN:** Estos accesorios o aditamentos están recomendados para utilizarse con su herramienta Makita especificada en este manual. El empleo de cualquier otro accesorio o aditamento puede conllevar el riesgo de lesiones personales. Utilice los accesorios o aditamentos solamente para su fin establecido.

Si necesita cualquier ayuda para más detalles en relación con estos accesorios, pregunte a su centro de servicio local Makita.

- Puntas de destornillador
- Gancho
- Estuche de transporte de plástico
- Batería y cargador originales de Makita
- Protector de batería

**NOTA:** Algunos de los artículos en la lista pueden incluirse en el paquete de la herramienta como accesorios estándar. Éstos pueden variar de país a país.

## GARANTÍA LIMITADA DE UN AÑO DE MAKITA

### Ésta Garantía no aplica para México Política de garantía

Cada herramienta Makita es inspeccionada y probada exhaustivamente antes de salir de la fábrica. Se garantiza que está libre de defectos de mano de obra y materiales por el período de UN AÑO a partir de la fecha original de compra. Si durante este período de un año se desarrollara algún problema, devuelva la herramienta COMPLETA, con el envío prepagado, a un centro de servicio autorizado o de fábrica Makita. Si la inspección muestra que el problema ha sido a causa de un defecto de mano de obra o material, Makita hará la reparación (o a su discreción, el reemplazo) sin ningún cargo. Esta garantía no aplica cuando:

- las reparaciones se hayan hecho o intentado hacer por otros;
- se requieran reparaciones debido al desgaste normal;
- la herramienta haya sido maltratada, recibido un mal uso o haya recibido un mantenimiento inapropiado;
- se hayan hecho modificaciones a la herramienta.

EN NINGÚN CASO MAKITA SE HARÁ RESPONSABLE DE NINGÚN DAÑO INDIRECTO, INCIDENTAL, O DERIVADO DE LA VENTA O USO DEL PRODUCTO. ESTE DESCARGO DE RESPONSABILIDAD APLICA DURANTE Y DESPUÉS DEL PLAZO DE ESTA GARANTÍA. MAKITA RENUNCIA A LA RESPONSABILIDAD POR CUALQUIER GARANTÍA IMPLÍCITA, INCLUYENDO GARANTÍAS DE "COMERCIABILIDAD" Y "ADECUACIÓN PARA UN PROPÓSITO ESPECÍFICO", DESPUÉS DEL PLAZO DE UN AÑO DE ESTA GARANTÍA.

Esta garantía le concede derechos legales específicos y usted podrá tener también otros derechos que varían de un estado a otro. Algunos estados no permiten la exclusión o limitación de daños incidentales o

consecuentes, por lo que la limitación o exclusión arriba mencionada podría no aplicar para usted. Algunos estados no permiten la limitación sobre la duración de una garantía implícita, por lo que la limitación arriba mencionada podría no aplicar para usted.

< USA only >

# WARNING

Some dust created by power sanding, sawing, grinding, drilling, and other construction activities contains chemicals known to the State of California to cause cancer, birth defects or other reproductive harm. Some examples of these chemicals are:

- lead from lead-based paints,
- crystalline silica from bricks and cement and other masonry products, and
- arsenic and chromium from chemically-treated lumber.

Your risk from these exposures varies, depending on how often you do this type of work. To reduce your exposure to these chemicals: work in a well ventilated area, and work with approved safety equipment, such as those dust masks that are specially designed to filter out microscopic particles.

< Sólo en los Estados Unidos >

# ADVERTENCIA

Algunos polvos creados por el lijado, aserrado, esmerilado, taladrado y otras actividades de la construcción contienen sustancias químicas reconocidas por el Estado de California como causantes de cáncer, defectos de nacimiento y otros peligros de reproducción. Algunos ejemplos de estos productos químicos son:

- plomo de pinturas a base de plomo,
- sílice cristalino de ladrillos y cemento y otros productos de albañilería, y
- arsénico y cromo de maderas tratadas químicamente.

El riesgo al que se expone varía, dependiendo de la frecuencia con la que realice este tipo de trabajo. Para reducir la exposición a estos productos químicos: trabaje en un área bien ventilada y póngase el equipo de seguridad indicado, tal como las máscaras contra polvo que están especialmente diseñadas para filtrar partículas microscópicas.

**Makita Corporation**

3-11-8, Sumiyoshi-cho,  
Anjo, Aichi 446-8502 Japan

[www.makita.com](http://www.makita.com)

885432-947  
XDT11-1  
EN, FRCA,  
ESMX  
20150306

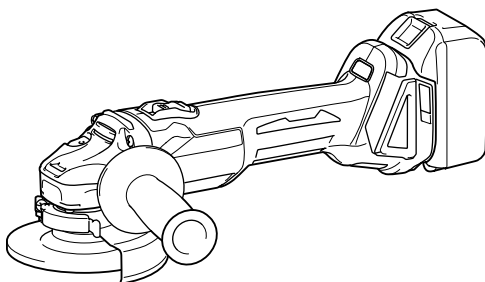
INSTRUCTION MANUAL



# Cordless Angle Grinder

XAG03

XAG04



015078

**IMPORTANT:** Read Before Using.

## ENGLISH (Original instructions)

# SPECIFICATIONS

Model		XAG03	XAG04
Wheel diameter		115 mm (4-1/2")	125 mm (5")
Max. wheel thickness		6 mm (1/4")	6 mm (1/4")
Spindle thread		5/8"	
Rated speed (n) / No load speed (n <sub>0</sub> )		8,500 /min	
Overall length	With battery cartridge BL1815N, BL1820	348 mm (13-3/4")	
	With battery cartridge BL1830, BL1840, BL1850	362 mm (14-1/4")	
Net weight	With battery cartridge BL1815N, BL1820	2.3 kg (5.0 lbs)	2.3 kg (5.1 lbs)
	With battery cartridge BL1830, BL1840, BL1850	2.5 kg (5.5 lbs)	2.5 kg (5.6 lbs)
Rated voltage		D.C. 18 V	
Standard battery cartridge		BL1815N, BL1820, BL1830, BL1840, BL1850	

- Due to our continuing program of research and development, the specifications herein are subject to change without notice.
- Specifications and battery cartridge may differ from country to country.
- Weight, with battery cartridge, according to EPTA-Procedure 01/2003

GEA006-2

## General Power Tool Safety

### Warnings

**⚠ WARNING** Read all safety warnings and all instructions. Failure to follow the warnings and instructions may result in electric shock, fire and/or serious injury.

### Save all warnings and instructions for future reference.

The term "power tool" in the warnings refers to your mains-operated (corded) power tool or battery-operated (cordless) power tool.

#### Work area safety

1. **Keep work area clean and well lit.** Cluttered or dark areas invite accidents.
2. **Do not operate power tools in explosive atmospheres, such as in the presence of flammable liquids, gases or dust.** Power tools create sparks which may ignite the dust or fumes.
3. **Keep children and bystanders away while operating a power tool.** Distractions can cause you to lose control.

#### Electrical safety

4. **Power tool plugs must match the outlet. Never modify the plug in any way. Do not use any adapter plugs with earthed (grounded) power tools.** Unmodified plugs and matching outlets will reduce risk of electric shock.
5. **Avoid body contact with earthed or grounded surfaces such as pipes, radiators, ranges and refrigerators.** There is an increased risk of electric shock if your body is earthed or grounded.

6. **Do not expose power tools to rain or wet conditions.** Water entering a power tool will increase the risk of electric shock.
7. **Do not abuse the cord. Never use the cord for carrying, pulling or unplugging the power tool. Keep cord away from heat, oil, sharp edges or moving parts.** Damaged or entangled cords increase the risk of electric shock.
8. **When operating a power tool outdoors, use an extension cord suitable for outdoor use.** Use of a cord suitable for outdoor use reduces the risk of electric shock.
9. **If operating a power tool in a damp location is unavoidable, use a ground fault circuit interrupter (GFCI) protected supply.** Use of an GFCI reduces the risk of electric shock.

#### Personal safety

10. **Stay alert, watch what you are doing and use common sense when operating a power tool. Do not use a power tool while you are tired or under the influence of drugs, alcohol or medication.** A moment of inattention while operating power tools may result in serious personal injury.
11. **Use personal protective equipment. Always wear eye protection.** Protective equipment such as dust mask, non-skid safety shoes, hard hat, or hearing protection used for appropriate conditions will reduce personal injuries.
12. **Prevent unintentional starting. Ensure the switch is in the off-position before connecting to power source and/or battery pack, picking up or carrying the tool.** Carrying power tools with your finger on the switch or energising power tools that have the switch on invites accidents.

13. **Remove any adjusting key or wrench before turning the power tool on.** A wrench or a key left attached to a rotating part of the power tool may result in personal injury.
14. **Do not overreach. Keep proper footing and balance at all times.** This enables better control of the power tool in unexpected situations.
15. **Dress properly. Do not wear loose clothing or jewellery. Keep your hair, clothing, and gloves away from moving parts.** Loose clothes, jewellery or long hair can be caught in moving parts.
16. **If devices are provided for the connection of dust extraction and collection facilities, ensure these are connected and properly used.** Use of dust collection can reduce dust-related hazards.

#### Power tool use and care

17. **Do not force the power tool. Use the correct power tool for your application.** The correct power tool will do the job better and safer at the rate for which it was designed.
18. **Do not use the power tool if the switch does not turn it on and off.** Any power tool that cannot be controlled with the switch is dangerous and must be repaired.
19. **Disconnect the plug from the power source and/or the battery pack from the power tool before making any adjustments, changing accessories, or storing power tools.** Such preventive safety measures reduce the risk of starting the power tool accidentally.
20. **Store idle power tools out of the reach of children and do not allow persons unfamiliar with the power tool or these instructions to operate the power tool.** Power tools are dangerous in the hands of untrained users.
21. **Maintain power tools. Check for misalignment or binding of moving parts, breakage of parts and any other condition that may affect the power tool's operation. If damaged, have the power tool repaired before use.** Many accidents are caused by poorly maintained power tools.
22. **Keep cutting tools sharp and clean.** Properly maintained cutting tools with sharp cutting edges are less likely to bind and are easier to control.
23. **Use the power tool, accessories and tool bits etc. in accordance with these instructions, taking into account the working conditions and the work to be performed.** Use of the power tool for operations different from those intended could result in a hazardous situation.

#### Battery tool use and care

24. **Recharge only with the charger specified by the manufacturer.** A charger that is suitable for one type of battery pack may create a risk of fire when used with another battery pack.
25. **Use power tools only with specifically designated battery packs.** Use of any other battery packs may create a risk of injury and fire.
26. **When battery pack is not in use, keep it away from other metal objects, like paper clips, coins, keys, nails, screws or other small metal objects, that can make a connection from one terminal to another.** Shorting the battery terminals together may cause burns or a fire.
27. **Under abusive conditions, liquid may be ejected from the battery; avoid contact. If contact accidentally occurs, flush with water. If liquid contacts eyes, additionally seek medical help.** Liquid ejected from the battery may cause irritation or burns.

#### Service

28. **Have your power tool serviced by a qualified repair person using only identical replacement parts.** This will ensure that the safety of the power tool is maintained.
29. **Follow instruction for lubricating and changing accessories.**
30. **Keep handles dry, clean and free from oil and grease.**

GEB059-3

## CORDLESS GRINDER SAFETY WARNINGS

### Safety Warnings Common for Grinding, Sanding, Wire Brushing, or Abrasive Cutting-Off Operations:

1. **This power tool is intended to function as a grinder, sander, wire brush or cut-off tool. Read all safety warnings, instructions, illustrations and specifications provided with this power tool.** Failure to follow all instructions listed below may result in electric shock, fire and/or serious injury.
2. **Operations such as polishing are not recommended to be performed with this power tool.** Operations for which the power tool was not designed may create a hazard and cause personal injury.
3. **Do not use accessories which are not specifically designed and recommended by the tool manufacturer.** Just because the accessory can be attached to your power tool, it does not assure safe operation.
4. **The rated speed of the accessory must be at least equal to the maximum speed marked on the power tool.** Accessories running faster than their rated speed can break and fly apart.

5. **The outside diameter and the thickness of your accessory must be within the capacity rating of your power tool.** Incorrectly sized accessories cannot be adequately guarded or controlled.
  6. **Threaded mounting of accessories must match the grinder spindle thread. For accessories mounted by flanges, the arbour hole of the accessory must fit the locating diameter of the flange.** Accessories that do not match the mounting hardware of the power tool will run out of balance, vibrate excessively and may cause loss of control.
  7. **Do not use a damaged accessory. Before each use inspect the accessory such as abrasive wheels for chips and cracks, backing pad for cracks, tear or excess wear, wire brush for loose or cracked wires. If power tool or accessory is dropped, inspect for damage or install an undamaged accessory. After inspecting and installing an accessory, position yourself and bystanders away from the plane of the rotating accessory and run the power tool at maximum no-load speed for one minute.** Damaged accessories will normally break apart during this test time.
  8. **Wear personal protective equipment. Depending on application, use face shield, safety goggles or safety glasses. As appropriate, wear dust mask, hearing protectors, gloves and workshop apron capable of stopping small abrasive or workpiece fragments.** The eye protection must be capable of stopping flying debris generated by various operations. The dust mask or respirator must be capable of filtrating particles generated by your operation. Prolonged exposure to high intensity noise may cause hearing loss.
  9. **Keep bystanders a safe distance away from work area. Anyone entering the work area must wear personal protective equipment.** Fragments of workpiece or of a broken accessory may fly away and cause injury beyond immediate area of operation.
  10. **Hold the power tool by insulated gripping surfaces only, when performing an operation where the cutting tool may contact hidden wiring.** Contact with a "live" wire will also make exposed metal parts of the power tool "live" and could give the operator an electric shock.
  11. **Never lay the power tool down until the accessory has come to a complete stop.** The spinning accessory may grab the surface and pull the power tool out of your control.
  12. **Do not run the power tool while carrying it at your side.** Accidental contact with the spinning accessory could snag your clothing, pulling the accessory into your body.
  13. **Regularly clean the power tool's air vents.** The motor's fan will draw the dust inside the housing and excessive accumulation of powdered metal may cause electrical hazards.
  14. **Do not operate the power tool near flammable materials.** Sparks could ignite these materials.
  15. **Do not use accessories that require liquid coolants.** Using water or other liquid coolants may result in electrocution or shock.
- Kickback and Related Warnings**
- Kickback is a sudden reaction to a pinched or snagged rotating wheel, backing pad, brush or any other accessory. Pinching or snagging causes rapid stalling of the rotating accessory which in turn causes the uncontrolled power tool to be forced in the direction opposite of the accessory's rotation at the point of the binding.
- For example, if an abrasive wheel is snagged or pinched by the workpiece, the edge of the wheel that is entering into the pinch point can dig into the surface of the material causing the wheel to climb out or kick out. The wheel may either jump toward or away from the operator, depending on direction of the wheel's movement at the point of pinching. Abrasive wheels may also break under these conditions.
- Kickback is the result of power tool misuse and/or incorrect operating procedures or conditions and can be avoided by taking proper precautions as given below.
- a) **Maintain a firm grip on the power tool and position your body and arm to allow you to resist kickback forces. Always use auxiliary handle, if provided, for maximum control over kickback or torque reaction during start-up.** The operator can control torque reactions or kickback forces, if proper precautions are taken.
  - b) **Never place your hand near the rotating accessory.** Accessory may kickback over your hand.
  - c) **Do not position your body in the area where power tool will move if kickback occurs.** Kickback will propel the tool in direction opposite to the wheel's movement at the point of snagging.
  - d) **Use special care when working corners, sharp edges etc. Avoid bouncing and snagging the accessory.** Corners, sharp edges or bouncing have a tendency to snag the rotating accessory and cause loss of control or kickback.
  - e) **Do not attach a saw chain woodcarving blade or toothed saw blade.** Such blades create frequent kickback and loss of control.



### **Safety Warnings Specific for Grinding and Abrasive Cutting-Off Operations:**

- a) **Use only wheel types that are recommended for your power tool and the specific guard designed for the selected wheel.** Wheels for which the power tool was not designed cannot be adequately guarded and are unsafe.
- b) **The grinding surface of centre depressed wheels must be mounted below the plane of the guard lip.** An improperly mounted wheel that projects through the plane of the guard lip cannot be adequately protected.
- c) **The guard must be securely attached to the power tool and positioned for maximum safety, so the least amount of wheel is exposed towards the operator.** The guard helps to protect the operator from broken wheel fragments, accidental contact with wheel and sparks that could ignite clothing.
- d) **Wheels must be used only for recommended applications. For example: do not grind with the side of cut-off wheel.** Abrasive cut-off wheels are intended for peripheral grinding, side forces applied to these wheels may cause them to shatter.
- e) **Always use undamaged wheel flanges that are of correct size and shape for your selected wheel.** Proper wheel flanges support the wheel thus reducing the possibility of wheel breakage. Flanges for cut-off wheels may be different from grinding wheel flanges.
- f) **Do not use worn down wheels from larger power tools.** Wheel intended for larger power tool is not suitable for the higher speed of a smaller tool and may burst.

### **Additional Safety Warnings Specific for Abrasive Cutting-Off Operations:**

- a) **Do not “jam” the cut-off wheel or apply excessive pressure. Do not attempt to make an excessive depth of cut.** Overstressing the wheel increases the loading and susceptibility to twisting or binding of the wheel in the cut and the possibility of kickback or wheel breakage.
- b) **Do not position your body in line with and behind the rotating wheel.** When the wheel, at the point of operation, is moving away from your body, the possible kickback may propel the spinning wheel and the power tool directly at you.
- c) **When wheel is binding or when interrupting a cut for any reason, switch off the power tool and hold the power tool motionless until the wheel comes to a complete stop. Never attempt to remove the cut-off wheel from the cut while the wheel is in motion otherwise kickback may occur.** Investigate and take corrective action to eliminate the cause of wheel binding.

- d) **Do not restart the cutting operation in the workpiece. Let the wheel reach full speed and carefully re-enter the cut.** The wheel may bind, walk up or kickback if the power tool is restarted in the workpiece.
- e) **Support panels or any oversized workpiece to minimize the risk of wheel pinching and kickback.** Large workpieces tend to sag under their own weight. Supports must be placed under the workpiece near the line of cut and near the edge of the workpiece on both sides of the wheel.
- f) **Use extra caution when making a “pocket cut” into existing walls or other blind areas.** The protruding wheel may cut gas or water pipes, electrical wiring or objects that can cause kickback.

### **Safety Warnings Specific for Sanding Operations:**

- a) **Do not use excessively oversized sanding disc paper. Follow manufacturers recommendations, when selecting sanding paper.** Larger sanding paper extending beyond the sanding pad presents a laceration hazard and may cause snagging, tearing of the disc or kickback.

### **Safety Warnings Specific for Wire Brushing Operations:**

- a) **Be aware that wire bristles are thrown by the brush even during ordinary operation. Do not overstress the wires by applying excessive load to the brush.** The wire bristles can easily penetrate light clothing and/or skin.
- b) **If the use of a guard is recommended for wire brushing, do not allow interference of the wire wheel or brush with the guard.** Wire wheel or brush may expand in diameter due to work load and centrifugal forces.

### **Additional Safety Warnings:**

16. **When using depressed centre grinding wheels, be sure to use only fiberglass-reinforced wheels.**
17. **NEVER USE Stone Cup type wheels with this grinder.** This grinder is not designed for these types of wheels and the use of such a product may result in serious personal injury.
18. **Be careful not to damage the spindle, the flange (especially the installing surface) or the lock nut. Damage to these parts could result in wheel breakage.**
19. **Make sure the wheel is not contacting the workpiece before the switch is turned on.**
20. **Before using the tool on an actual workpiece, let it run for a while. Watch for vibration or wobbling that could indicate poor installation or a poorly balanced wheel.**
21. **Use the specified surface of the wheel to perform the grinding.**

22. Do not leave the tool running. Operate the tool only when hand-held.
23. Do not touch the workpiece immediately after operation; it may be extremely hot and could burn your skin.
24. Observe the instructions of the manufacturer for correct mounting and use of wheels. Handle and store wheels with care.
25. Do not use separate reducing bushings or adaptors to adapt large hole abrasive wheels.
26. Use only flanges specified for this tool.
27. For tools intended to be fitted with threaded hole wheel, ensure that the thread in the wheel is long enough to accept the spindle length.
28. Check that the workpiece is properly supported.
29. Pay attention that the wheel continues to rotate after the tool is switched off.
30. If working place is extremely hot and humid, or badly polluted by conductive dust, use a short-circuit breaker (30 mA) to assure operator safety.
31. Do not use the tool on any materials containing asbestos.
32. When use cut-off wheel, always work with the dust collecting wheel guard required by domestic regulation.
33. Cutting discs must not be subjected to any lateral pressure.

## SAVE THESE INSTRUCTIONS.


### WARNING:

DO NOT let comfort or familiarity with product (gained from repeated use) replace strict adherence to safety rules for the subject product. MISUSE or failure to follow the safety rules stated in this instruction manual may cause serious personal injury.

USD311-1

## Symbols

The followings show the symbols used for tool.

v	·	volts
	·	direct current
n	·	rated speed
n <sub>0</sub>	·	no load speed
.../min r/min	·	revolutions or reciprocation per minute

## IMPORTANT SAFETY INSTRUCTIONS

### FOR BATTERY CARTRIDGE

1. Before using battery cartridge, read all instructions and cautionary markings on (1) battery charger, (2) battery, and (3) product using battery.
2. Do not disassemble battery cartridge.
3. If operating time has become excessively shorter, stop operating immediately. It may result in a risk of overheating, possible burns and even an explosion.
4. If electrolyte gets into your eyes, rinse them out with clear water and seek medical attention right away. It may result in loss of your eyesight.
5. Do not short the battery cartridge:
  - (1) Do not touch the terminals with any conductive material.
  - (2) Avoid storing battery cartridge in a container with other metal objects such as nails, coins, etc.
  - (3) Do not expose battery cartridge to water or rain.

A battery short can cause a large current flow, overheating, possible burns and even a breakdown.

6. Do not store the tool and battery cartridge in locations where the temperature may reach or exceed 50 ° C (122 ° F).
7. Do not incinerate the battery cartridge even if it is severely damaged or is completely worn out. The battery cartridge can explode in a fire.
8. Be careful not to drop or strike battery.
9. Do not use a damaged battery.
10. Follow your local regulations relating to disposal of battery.

## SAVE THESE INSTRUCTIONS.

### Tips for maintaining maximum battery life

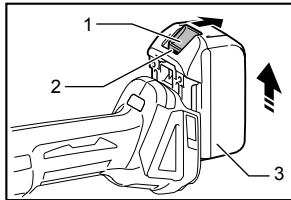
1. Charge the battery cartridge before completely discharged. Always stop tool operation and charge the battery cartridge when you notice less tool power.
2. Never recharge a fully charged battery cartridge. Overcharging shortens the battery service life.
3. Charge the battery cartridge with room temperature at 10 ° C - 40 ° C (50 ° F - 104 ° F). Let a hot battery cartridge cool down before charging it.
4. Charge the battery cartridge once in every six months if you do not use it for a long period of time.

## FUNCTIONAL DESCRIPTION

### ⚠ CAUTION:

- Always be sure that the tool is switched off and the battery cartridge is removed before adjusting or checking function on the tool.

### Installing or removing battery cartridge



015079

1. Button
2. Red indicator
3. Battery cartridge

### ⚠ CAUTION:

- Always switch off the tool before installing or removing of the battery cartridge.
- Hold the tool and the battery cartridge firmly when installing or removing battery cartridge.** Failure to hold the tool and the battery cartridge firmly may cause them to slip off your hands and result in damage to the tool and battery cartridge and a personal injury.

To remove the battery cartridge, slide it from the tool while sliding the button on the front of the cartridge.

To install the battery cartridge, align the tongue on the battery cartridge with the groove in the housing and slip it into place. Insert it all the way until it locks in place with a little click. If you can see the red indicator on the upper side of the button, it is not locked completely.

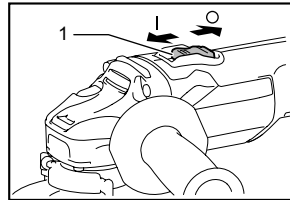
### ⚠ CAUTION:

- Always install the battery cartridge fully until the red indicator cannot be seen. If not, it may accidentally fall out of the tool, causing injury to you or someone around you.
- Do not install the battery cartridge forcibly. If the cartridge does not slide in easily, it is not being inserted correctly.

### Switch action

### ⚠ CAUTION:

- Before installing the battery cartridge into the tool, always check to see that the slide switch actuates properly and returns to the "OFF" position when the rear of the slide switch is depressed.
- Switch can be locked in "ON" position for ease of operator comfort during extended use. Apply caution when locking tool in "ON" position and maintain firm grasp on tool.



1. Slide switch

015082

To start the tool, slide the slide switch toward the "I (ON)" position by pushing the rear of the slide switch. For continuous operation, press the front of the slide switch to lock it.

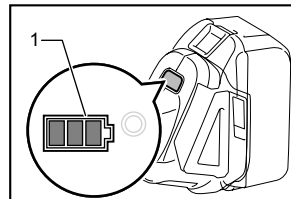
To stop the tool, press the rear of the slide switch, then slide it toward the "O (OFF)" position.

### Accidental re-start preventive function

Even if the battery cartridge is installed on the tool with the slide switch in the "I (ON)" position, the tool does not start.

To start the tool, first slide the slide switch toward the "O (OFF)" position and then slide it toward the "I (ON)" position.

### Indicating remaining battery capacity



1. Battery indicator

015141

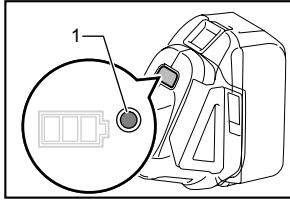
When you turn the tool on, the battery indicator shows the remaining battery capacity.

The remaining battery capacity is shown as the following table.

Battery indicator status	Remaining battery capacity
■:On □:Off ◐:Blinking 	50% - 100%
	20% - 50%
	0% - 20%
	Charge the battery

015096

## Automatic speed change function



015142

1. Mode indicator

Mode indicator status	Operation mode
	High speed mode
	High torque mode

015098

This tool has "high speed mode" and "high torque mode". It automatically changes operation mode depending on the work load. When mode indicator lights up during operation, the tool is in high torque mode.

## Tool / battery protection system

The tool is equipped with a tool/battery protection system. This system automatically cuts off power to the motor to extend tool and battery life.

The tool will automatically stop during operation if the tool or battery is placed under one of the following conditions. In some conditions, the indicator lights up.

### Overload protection

When the tool is operated in a manner that causes it to draw an abnormally high current, the tool automatically stops without any indications. In this situation, turn the tool off and stop the application that caused the tool to become overloaded. Then turn the tool on to restart.

### Overheat protection for tool

When the tool is overheated, the tool stops automatically and the battery indicator shows following state. In this situation, let the tool cool before turning the tool on again.

Battery indicator	■:On	□:Off	■:Blinking
	Tool is overheated		

015140

## Releasing protection lock

When the protection system works repeatedly, the tool is locked and the battery indicator shows the following state.

Battery indicator	■:On	□:Off	■:Blinking
	Protection lock works		

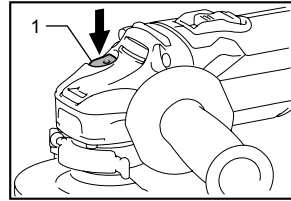
015200

In this situation, the tool does not start even if turning the tool off and on. To release the protection lock, remove the battery, set it to the battery charger and wait until the charging finishes.

## Shaft lock

### ⚠CAUTION:

- Never actuate the shaft lock when the spindle is moving. The tool may be damaged.



015081

1. Shaft lock

Press the shaft lock to prevent spindle rotation when installing or removing accessories.

## ASSEMBLY

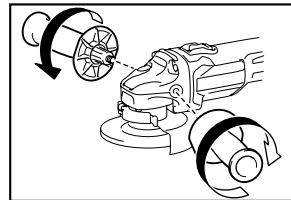
### ⚠CAUTION:

- Always be sure that the tool is switched off and the battery cartridge is removed before carrying out any work on the tool.

### Installing side grip (handle)

### ⚠CAUTION:

- Always be sure that the side grip is installed securely before operation.



015083

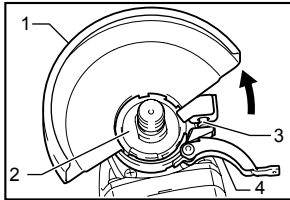
Screw the side grip securely on the position of the tool as shown in the figure.

**Installing or removing wheel guard  
(For depressed center wheel, multi disc /  
abrasive cut-off wheel, diamond wheel)**

**⚠WARNING:**

- When using a depressed center grinding wheel/Multi-disc, wire wheel brush, cut-off wheel or diamond wheel, the wheel guard must be fitted on the tool so that the closed side of the guard always points toward the operator.
- When using an abrasive cut-off / diamond wheel, be sure to use only the special wheel guard designed for use with cut-off wheels.

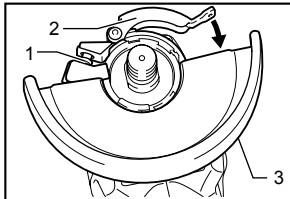
**For tool with clamp lever type wheel guard**



1. Wheel guard
2. Bearing box
3. Screw
4. Lever

015084

Loosen the lever on the wheel guard after loosening the screw. Mount the wheel guard with the protrusion on the wheel guard band aligned with the notch on the bearing box. Then rotate the wheel guard to such an angle that it can protect the operator according to work.



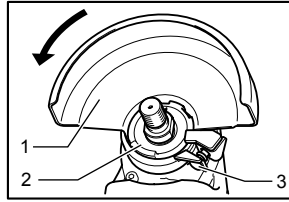
1. Screw
2. Lever
3. Wheel guard

015085

Tighten the lever to fasten the wheel guard. If the lever is too tight or too loose to fasten the wheel guard, loosen or tighten the screw to adjust the tightening of the wheel guard band.

To remove wheel guard, follow the installation procedure in reverse.

**For tool with locking screw type wheel guard**



1. Wheel guard
2. Bearing box
3. Screw

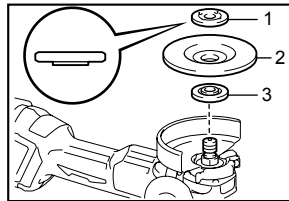
015303

Mount the wheel guard with the protrusions on the wheel guard band aligned with the notches on the bearing box. Then rotate the wheel guard around 180° counterclockwise. Be sure to tighten the screw securely. To remove wheel guard, follow the installation procedure in reverse.

**Installing or removing depressed center wheel or multi disc (optional accessory)**

**⚠WARNING:**

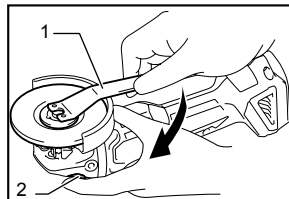
- When using a depressed center wheel or multi disc, the wheel guard must be fitted on the tool so that the closed side of the guard always points toward the operator.
- Only actuate the shaft lock when the spindle is not moving.



1. Lock nut
2. Depressed center wheel
3. Inner flange

015088

Mount the inner flange onto the spindle. Fit the wheel/disc on the inner flange and screw the lock nut onto the spindle.



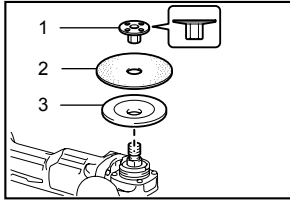
1. Lock nut wrench
2. Shaft lock

015089

To tighten the lock nut, press the shaft lock firmly so that the spindle cannot revolve, then use the lock nut wrench and securely tighten clockwise.

To remove the wheel, follow the installation procedure in reverse.

## Installing or removing abrasive disc (optional accessory)



1. Sanding lock nut
2. Abrasive disc
3. Rubber pad

015092

Mount the rubber pad onto the spindle. Fit the disc on the rubber pad and screw the lock nut onto the spindle. To tighten the lock nut, press the shaft lock firmly so that the spindle cannot revolve, then use the lock nut wrench and securely tighten clockwise.

To remove the disc, follow the installation procedure in reverse.

### NOTE:

- Use sander accessories specified in this manual. These must be purchased separately.

## OPERATION

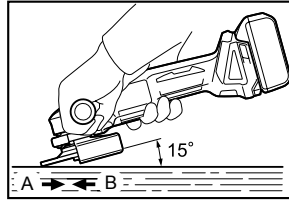
### ⚠WARNING:

- It should never be necessary to force the tool. The weight of the tool applies adequate pressure. Forcing and excessive pressure could cause dangerous wheel breakage.
- ALWAYS replace wheel if tool is dropped while grinding.
- NEVER bang or hit grinding disc or wheel onto work.
- Avoid bouncing and snagging the wheel, especially when working corners, sharp edges etc. This can cause loss of control and kickback.
- NEVER use tool with wood cutting blades and other sawblades. Such blades when used on a grinder frequently kick and cause loss of control leading to personal injury.

### ⚠CAUTION:

- Never switch on the tool when it is in contact with the workpiece, it may cause an injury to operator.
- Always wear safety goggles or a face shield during operation.
- After operation, always switch off the tool and wait until the wheel has come to a complete stop before putting the tool down.

## Grinding and sanding operation



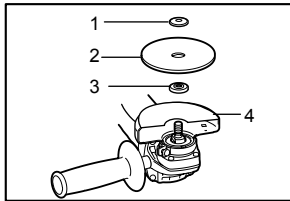
015097

ALWAYS hold the tool firmly with one hand on housing and the other on the side handle. Turn the tool on and then apply the wheel or disc to the workpiece.

In general, keep the edge of the wheel or disc at an angle of about 15 degrees to the workpiece surface.

During the break-in period with a new wheel, do not work the grinder in the B direction or it will cut into the workpiece. Once the edge of the wheel has been rounded off by use, the wheel may be worked in both A and B direction.

## Operation with abrasive cut-off / diamond wheel (optional accessory)

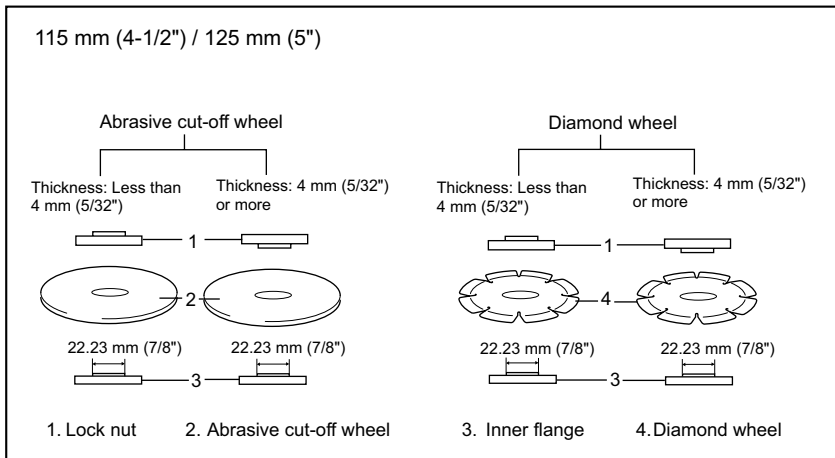


1. Lock nut
2. Abrasive cut-off wheel/diamond wheel
3. Inner flange
4. Wheel guard for abrasive cut-off wheel/diamond wheel

010855

Remove the battery cartridge from the tool and place it upside down allowing easy access to spindle. Mount the inner flange and abrasive cut-off / diamond wheel onto the spindle. Tighten the lock nut securely with supplied wrench. The direction for mounting the lock nut and the inner flange varies by wheel thickness.

Refer to the table below.



013349

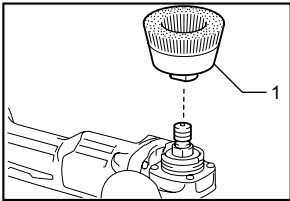
### **⚠ WARNING:**

- When using an abrasive cut-off / diamond wheel, be sure to use only the special wheel guard designed for use with cut-off wheels.
- NEVER use cut-off wheel for side grinding.
- Do not "jam" the wheel or apply excessive pressure. Do not attempt to make an excessive depth of cut. Overstressing the wheel increases the loading and susceptibility to twisting or binding of the wheel in the cut and the possibility of kickback, wheel breakage and overheating of the motor may occur.
- Do not start the cutting operation in the workpiece. Let the wheel reach full speed and carefully enter into the cut moving the tool forward over the workpiece surface. The wheel may bind, walk up or kickback if the power tool is started in the workpiece.
- During cutting operations, never change the angle of the wheel. Placing side pressure on the cut-off wheel (as in grinding) will cause the wheel to crack and break, causing serious personal injury.
- A diamond wheel shall be operated perpendicular to the material being cut.

## Operation with wire cup brush (optional accessory)

### ⚠CAUTION:

- Check operation of brush by running tool with no load, insuring that no one is in front of or in line with brush.
- Do not use brush that is damaged, or which is out of balance. Use of damaged brush could increase potential for injury from contact with broken brush wires.



1. Wire cup brush

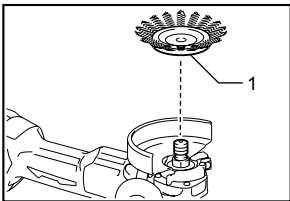
015093

Remove the battery cartridge from the tool and place it upside down allowing easy access to spindle. Remove any accessories on spindle. Thread wire cup brush onto spindle and tighten with supplied wrench. When using brush, avoid applying too much pressure which causes over bending of wires, leading to premature breakage.

## Operation with wire wheel brush (optional accessory)

### ⚠CAUTION:

- Check operation of wire wheel brush by running tool with no load, insuring that no one is in front of or in line with the wire wheel brush.
- Do not use wire wheel brush that is damaged, or which is out of balance. Use of damaged wire wheel brush could increase potential for injury from contact with broken wires.
- ALWAYS use guard with wire wheel brushes, assuring diameter of wheel fits inside guard. Wheel can shatter during use and guard helps to reduce chances of personal injury.



1. Wire wheel brush

015094

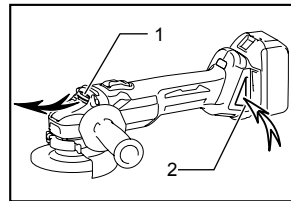
Remove the battery cartridge from the tool and place it upside down allowing easy access to spindle. Remove any accessories on spindle. Thread wire wheel brush onto spindle and tighten with the wrenches.

When using wire wheel brush, avoid applying too much pressure which causes over bending of wires, leading to premature breakage.

## MAINTENANCE

### ⚠CAUTION:

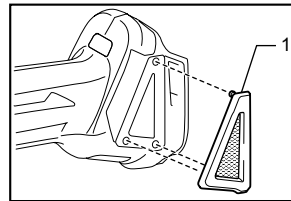
- Always be sure that the tool is switched off and the battery cartridge is removed before attempting to perform inspection or maintenance.
- Never use gasoline, benzine, thinner, alcohol or the like. Discoloration, deformation or cracks may result.



1. Exhaust vent  
2. Inhalation vent

015086

The tool and its air vents have to be kept clean. Regularly clean the tool's air vents or whenever the vents start to become obstructed.



1. Dust cover

015087

Remove the dust cover from inhalation vent and clean it for smooth air circulation.

### NOTE:

- Clean out the dust cover when it is clogged with dust or foreign matters. Continuing operation with a clogged dust cover may damage the tool.

To maintain product SAFETY and RELIABILITY, repairs, any other maintenance or adjustment should be performed by Makita Authorized or Factory Service Centers, always using Makita replacement parts.



---

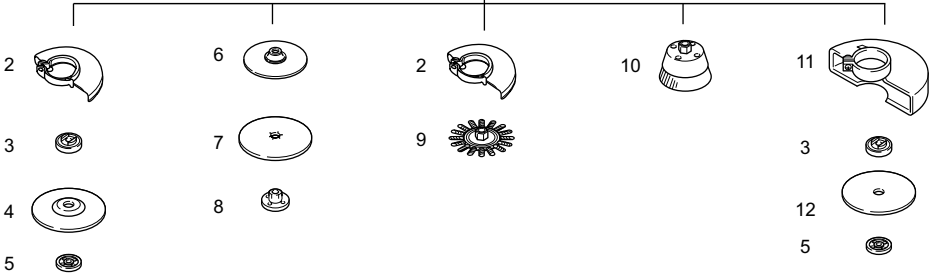
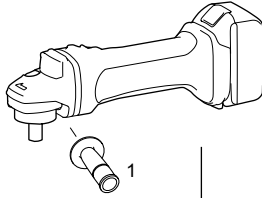
## OPTIONAL ACCESSORIES

### CAUTION:

- These accessories or attachments are recommended for use with your Makita tool specified in this manual. The use of any other accessories or attachments might present a risk of injury to persons. Only use accessory or attachment for its stated purpose.
- Your tool is supplied with a guard for use with a depressed center grinding wheel, multi-disc and wire wheel brush. A diamond wheel and cut-off wheel are also available and should only be used with the appropriate optional guard for cutoff wheels. If you decide to use your Makita grinder with approved accessories which you purchase from your Makita distributor or factory service center, be sure to obtain and use all necessary fasteners and guards as recommended in this manual. Your failure to do so could result in personal injury to you and others.

If you need any assistance for more details regarding these accessories, ask your local Makita Service Center.

- Makita genuine battery and charger



	115 mm (4-1/2") model	125 mm (5") model
1	Grip 36	
2	Wheel Guard (for grinding wheel)	
3	Inner flange 45	Inner flange 45
4	Depressed center wheel/Multi-disc	
5	Lock nut 5/8-45	Lock nut 5/8-45
6	Rubber pad 100	Rubber pad 115
7	Abrasive disc	
8	Sanding lock nut 5/8-48	Sanding lock nut 5/8-48
9	Wire wheel brush	
10	Wire cup brush	
11	Wheel Guard (for cut-off wheel)	
12	Abrasive cut-off wheel/Diamond wheel	
-	Lock nut wrench 28	Lock nut wrench 28

015302

**NOTE:**

- Some items in the list may be included in the tool package as standard accessories. They may differ from country to country.

---

## **MAKITA LIMITED ONE YEAR WARRANTY**

### **Warranty Policy**

Every Makita tool is thoroughly inspected and tested before leaving the factory. It is warranted to be free of defects from workmanship and materials for the period of ONE YEAR from the date of original purchase. Should any trouble develop during this one year period, return the COMPLETE tool, freight prepaid, to one of Makita's Factory or Authorized Service Centers. If inspection shows the trouble is caused by defective workmanship or material, Makita will repair (or at our option, replace) without charge.

This Warranty does not apply where:

- repairs have been made or attempted by others:
- repairs are required because of normal wear and tear:
- the tool has been abused, misused or improperly maintained:
- alterations have been made to the tool.

IN NO EVENT SHALL MAKITA BE LIABLE FOR ANY INDIRECT, INCIDENTAL OR CONSEQUENTIAL DAMAGES FROM THE SALE OR USE OF THE PRODUCT. THIS DISCLAIMER APPLIES BOTH DURING AND AFTER THE TERM OF THIS WARRANTY.

MAKITA DISCLAIMS LIABILITY FOR ANY IMPLIED WARRANTIES, INCLUDING IMPLIED WARRANTIES OF "MERCHANTABILITY" AND "FITNESS FOR A SPECIFIC PURPOSE," AFTER THE ONE YEAR TERM OF THIS WARRANTY.

This Warranty gives you specific legal rights, and you may also have other rights which vary from state to state. Some states do not allow the exclusion or limitation of incidental or consequential damages, so the above limitation or exclusion may not apply to you. Some states do not allow limitation on how long an implied warranty lasts, so the above limitation may not apply to you.

EN0006-1

< USA only >

# WARNING

Some dust created by power sanding, sawing, grinding, drilling, and other construction activities contains chemicals known to the State of California to cause cancer, birth defects or other reproductive harm. Some examples of these chemicals are:

- lead from lead-based paints,
- crystalline silica from bricks and cement and other masonry products, and
- arsenic and chromium from chemically-treated lumber.

Your risk from these exposures varies, depending on how often you do this type of work. To reduce your exposure to these chemicals: work in a well ventilated area, and work with approved safety equipment, such as those dust masks that are specially designed to filter out microscopic particles.

< Sólo en los Estados Unidos >

# ADVERTENCIA

Algunos polvos creados por el lijado, aserrado, esmerilado, taladrado y otras actividades de la construcción contienen sustancias químicas reconocidas por el Estado de California como causantes de cáncer, defectos de nacimiento y otros peligros de reproducción. Algunos ejemplos de estos productos químicos son:

- plomo de pinturas a base de plomo,
- sílice cristalino de ladrillos y cemento y otros productos de albañilería, y
- arsénico y cromo de maderas tratadas químicamente.

El riesgo al que se expone varía, dependiendo de la frecuencia con la que realice este tipo de trabajo. Para reducir la exposición a estos productos químicos: trabaje en un área bien ventilada y póngase el equipo de seguridad indicado, tal como las máscaras contra polvo que están especialmente diseñadas para filtrar partículas microscópicas.

**Makita Corporation**

3-11-8, Sumiyoshi-cho,  
Anjo, Aichi 446-8502 Japan



**EN**

Job Site Radio

Instruction manual

**FRCA**

Radio de chantier

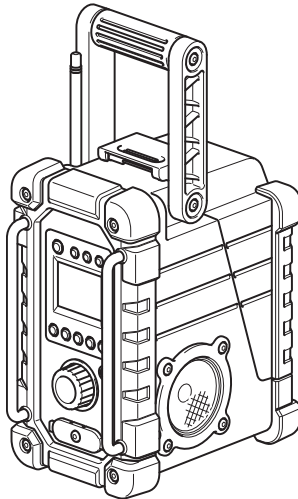
Manuel d'instructions

**ESMX**

Radio de Trabajo

Manual de instrucciones

## XRM05

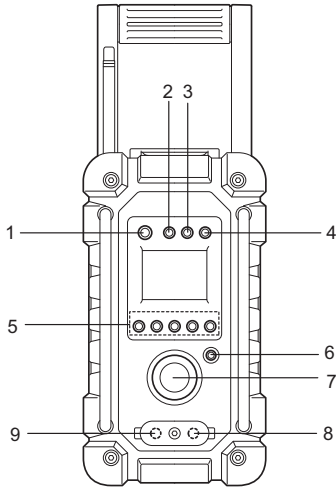


**IMPORTANT:** Read Before Using.

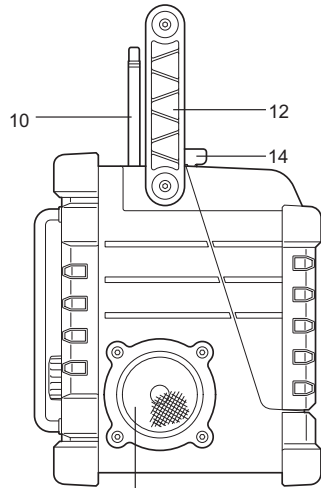
**IMPORTANT :** Lisez les instructions avant l'utilisation.

**IMPORTANTE:** Leer antes de usar.

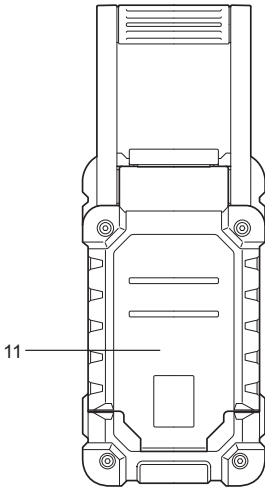




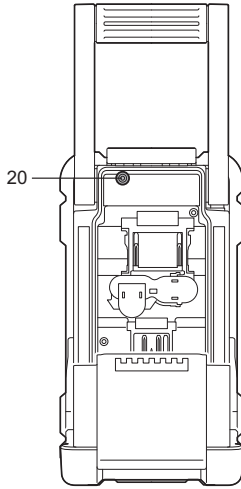
(21)



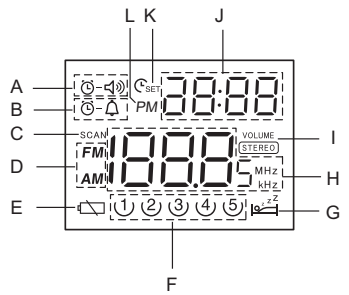
(22)

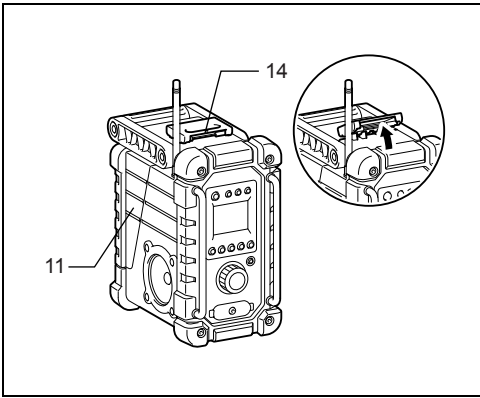


(23)

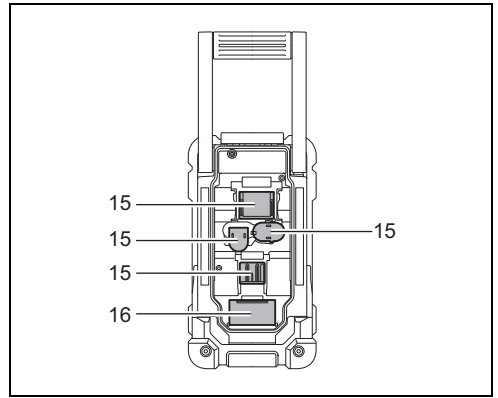


(24)

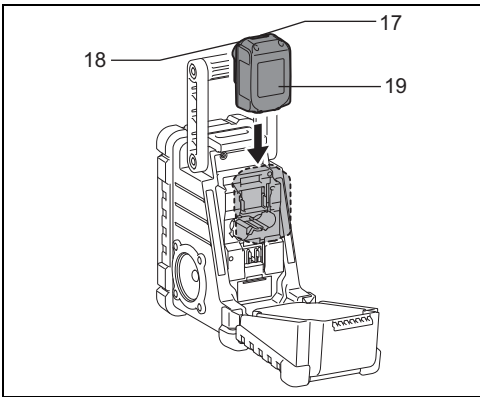




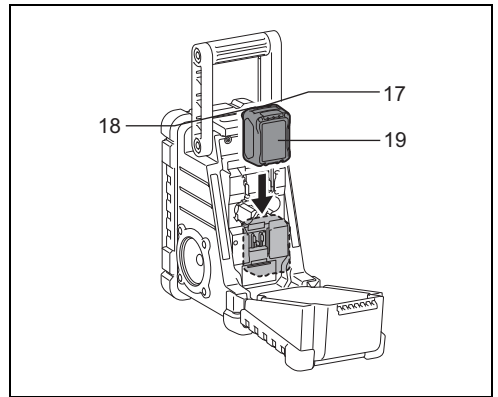
2



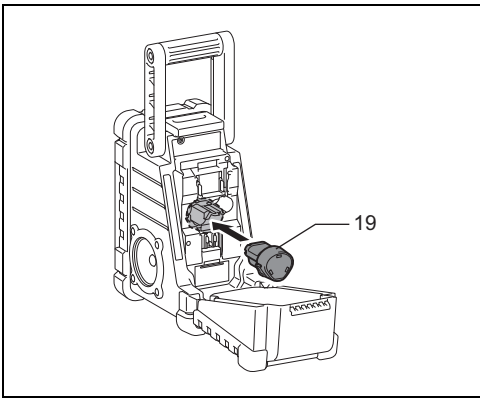
3



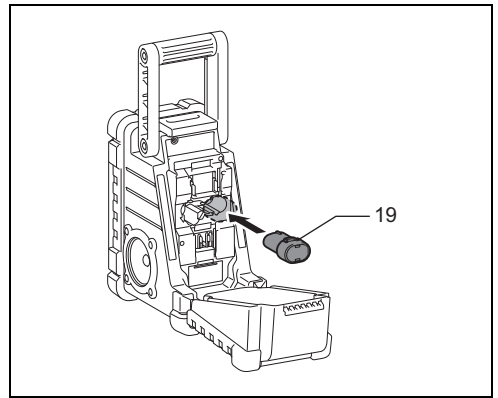
4



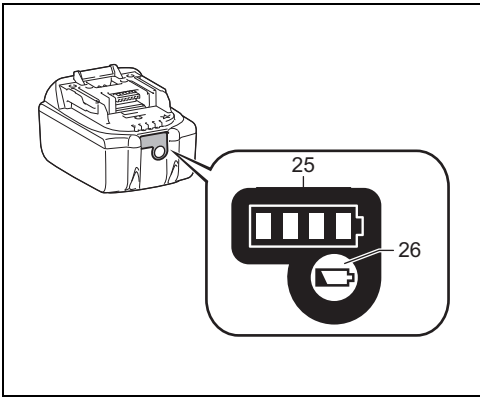
5



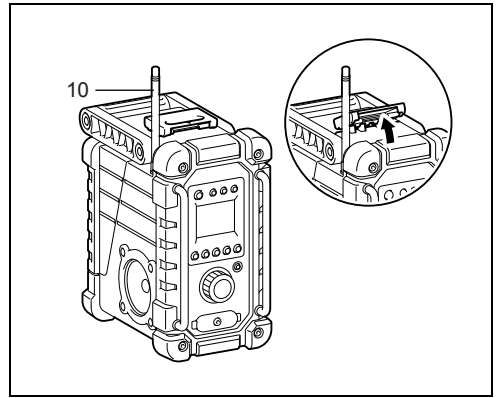
6



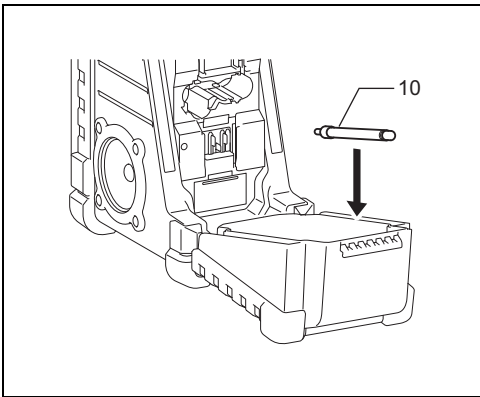
7



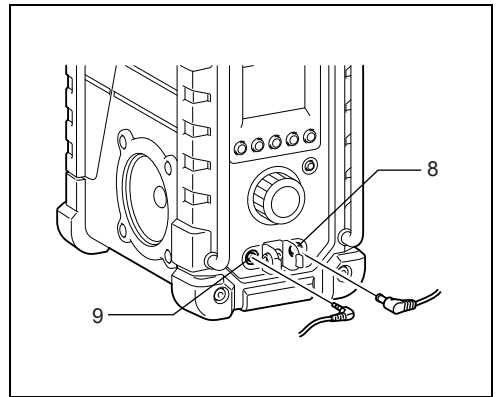
8



9



10



11



## ENGLISH (Original instructions)


### IMPORTANT SAFETY INSTRUCTIONS

#### **WARNING:**

When using electric tools, basic safety precautions should always be followed to reduce the risk of fire, electric shock, and personal injury, including the following:

1. Read this instruction manual and the charger instruction manual carefully before use.
2. Clean only with dry cloth.
3. Do not block any ventilation opening. Install in accordance with the manufacturer's instruction.
4. Do not install near any heat sources such as radiators, heat registers, stoves, or other apparatus (including amplifiers) that produce heat.
5. Only use attachments/accessories specified by the manufacturer.
6. Unplug this apparatus during lighting storms or when unused for long periods of time.
7. A battery operated radio with integral batteries or a separate battery pack must be recharged only with the specified charger for the battery. A charger that may be suitable for one type of battery may create a risk of fire when used with another battery.
8. Use battery operated radio only with specifically designated battery packs. Use of any other batteries may create a risk of fire.
9. When battery pack is not in use, keep it away from other metal objects like: paper clips, coins, keys, nails, screws, or other small metal objects that can make a connection from one terminal to another. Shorting the battery terminals together may cause sparks, burns, or a fire.
10. Avoid body contact with grounded surfaces such as pipes, radiators, ranges and refrigerators. There is an increased risk of electric shock if your body is grounded.
11. Under abusive conditions, liquid may be ejected from the battery; avoid contact. If contact accidentally occurs, flush with water. If liquid contacts eyes, additionally seek medical help. Liquid ejected from the battery may cause irritation or burns.

### SAVE THESE INSTRUCTIONS.

 **CAUTION:** Only use genuine Makita lithium-ion batteries. Use of non-genuine Makita batteries, or batteries that have been altered, may result in the battery bursting causing fires, personal injury and damage.

### SPECIFIC SAFETY RULES

#### FOR BATTERY CARTRIDGE

1. Before using battery cartridge, read all instructions and cautionary markings on (1) battery charger, (2) battery, and (3) product using battery.
2. Do not disassemble battery cartridge.
3. If operating time has become excessively shorter, stop operating immediately. It may result in a risk of overheating, possible burns and even an explosion.

4. If electrolyte gets into your eyes, rinse them out with clear water and seek medical attention right away. It may result in loss of your eyesight.
5. Do not short the battery cartridge:
  - (1) Do not touch the terminals with any conductive material.
  - (2) Avoid storing battery cartridge in a container with other metal objects such as nails, coins, etc.
  - (3) Do not expose battery cartridge to water or rain. A battery short can cause a large current flow, overheating, possible burns and even a breakdown.
6. Do not store the tool and battery cartridge in locations where the temperature may reach or exceed 50°C (122°F).
7. Do not incinerate the battery cartridge even if it is severely damaged or is completely worn out. The battery cartridge can explode in a fire.
8. Be careful not to drop or strike battery.
9. Do not use dropped or struck battery. (Do not use a damaged battery.)

For United States:

#### **Cautions to the user**

The changes or modifications not expressly approved by the party responsible for compliance could void the user's authority to operate the equipment.

#### **RF exposure statements**

**IMPORTANT NOTE:** To comply with the FCC RF exposure compliance requirements, the antenna(s) used for this transmitter must be installed to provide a separation distance of at least 20 cm from all persons and must not be co-located or operating in conjunction with any other antenna or transmitter. No change to the antenna or the device is permitted. Any change to the antenna or the device could result in the device exceeding the RF exposure requirements and void user's authority to operate the device.

**Note:** This equipment has been tested and found to comply with the limits for a Class B digital device, pursuant to part 15 of the FCC Rules. These limits are designed to provide reasonable protection against harmful interference in a residential installation. This equipment generates, uses and can radiate radio frequency energy and, if not installed and used in accordance with the instructions, may cause harmful interference to radio communications. However, there is no guarantee that interference will not occur in a particular installation. If this equipment does cause harmful interference to radio or television reception, which can be determined by turning the equipment off and on, the user is encouraged to try to correct the interference by one or more of the following measures:

- Reorient or relocate the receiving antenna.
- Increase the separation between the equipment and receiver.
- Connect the equipment into an outlet on a circuit different from that to which the receiver is connected.
- Consult the dealer or an experienced radio/TV technician for help.

## Features:

- AM/FM-stereo PLL Synthesized
- Large LCD display with illumination
- Manual/Preset/Scan tuning
- Rotary tuning and volume control
- 5 preset stations each band
- Time and 2 alarm timers (radio and HWS buzzer) with Snooze
- Adjustable sleep (auto shut off) timer
- Stereo speaker for rich sound performance
- Ultra rugged design
- Water resistant to IPX 4
- Powered by both Makita battery pack and supplied power adaptor

## Explanation of general view (Fig. 1)

### Controls:

1. Power and Sleep timer
2. Band and Mono button
3. Radio alarm set
4. Buzzer alarm set
5. Preset stations
6. Scan tuning and Time set
7. Tuning/Volume control knob
8. DC IN socket
9. Input terminal (AUX IN1)
10. Soft bended rod antenna
11. Battery compartment (covering main battery pack and back up batteries)
12. Handle
13. Speaker
14. Battery compartment locker
15. Main battery compartment
16. Back up battery compartment
17. Red indicator
18. Button
19. Battery cartridge
20. Input terminal (AUX IN2)
21. Front
22. Right
23. Back; Battery cover closed
24. Back; Battery cover opened
25. Indicator lamps
26. Check button

### LCD display:

- A. Radio alarm
- B. HWS buzzer alarm
- C. Scan tuning
- D. Band Indicator
- E. Low battery indicator
- F. Preset stations
- G. Sleep and Snooze status
- H. Frequency
- I. Stereo symbol and Volume
- J. Clock
- K. Time set
- L. PM for clock

## Battery installation

### Note:

Keeping back up batteries inside the compartment prevent stored data in preset memories from being lost.


### Back up battery installation

1. Pull out the battery compartment locker to release battery compartment. There are main battery pack compartment and back up battery compartment. (Fig. 2 & 3)
2. Remove back up battery compartment cover and insert 2 fresh UM-3 (AA sizes). Make sure the batteries are with correct polarity as shown inside the compartment. Replace the battery cover.
3. After back up batteries are inserted, insert the main battery pack to power radio. The suitable battery packs for this radio listed as the following table.

The following tables indicate the operating time on a single charge.

Battery capacity	Battery Cartridge Voltage				AT SPEAKER OUTPUT = 50 mW + 50 mW unit Hour (APPROX.)
	7.2 V	10.8 V – 12V max	14.4 V	18 V	Radio/AUX
1.0 Ah	BL7010				7.0
1.3 Ah		BL1014			8.5
			BL1415	BL1815	9.0
1.5 Ah	BL0715				10
		BL1016			9.5
			BL1415N	BL1815N	10
2.0 Ah		BL1021B			13
				BL1820	14
				BL1820B	
3.0 Ah			BL1430		20
			BL1430B		21
				BL1830	
4.0 Ah				BL1830B	28
		BL1041B			
			BL1440		27
5.0 Ah			BL1450		34
				BL1850	35
				BL1850B	
6.0 Ah			BL1460B		41
				BL1860B	42

 : Cluster Battery

 : Slide Battery

**Note:**

Table regarding to the battery operating time above is for reference. The actual operating time may differ with the type of the battery, charging condition, or usage environment.


### Installing or removing Slide battery cartridge (Fig. 4 & 5)

- To install the battery cartridge, align the tongue on the battery cartridge with the groove in the housing and slip it into place. Always insert it all the way until it locks in place with a little click.
- If you can see the red indicator on the upper side of the button, it is not locked completely. Install it fully until the red indicator cannot be seen. If not, it may accidentally fall out of the tool, causing injury to you or someone around you.
- Do not use force when installing the battery cartridge. If the cartridge does not slide in easily, it is not being inserted correctly.
- To remove the battery cartridge, slide it from the tool while sliding the button on the front of the cartridge or pressing the buttons on both sides of the cartridge.

### Installing or removing Cluster battery cartridge (Fig. 6 & 7)


- Pull the supporting bar to allow the battery to insert to the terminal.
- To insert the battery cartridge, align the tongue on the battery cartridge with the groove in the housing and slip it into place.
- Release the supporting bar.
- To remove the battery cartridge, pull the supporting bar and take the battery out of the terminal.

Return the battery compartment locker to the original position.

Reduced power, distortion and a "stuttering sound" or low battery sign  that appears on the display are all the signs that the main battery pack needs to replace.

**Note:**









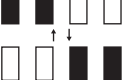
The battery pack can't be charged via the supplied AC power adaptor.

When low battery sign  appears and an "E" keeps on flashing is the time to replace the back up batteries.

### Indicating the remaining battery capacity (Fig. 8)

*Only for battery cartridges with "B" at the end of the model number*

Press the check button on the battery cartridge to indicate the remaining battery capacity. The indicator lamps light up for few seconds.

Indicator lamps			Remaining capacity
 Lighted	 Off	 Blinking	
			75% to 100%
			50% to 75%
			25% to 50%
			0% to 25%
			Charge the battery.
			The battery may have malfunctioned.

015658

**Note:**

- Depending on the conditions of use and the ambient temperature, the indication may differ slightly from the actual capacity.

Use of non-genuine Makita batteries, or batteries that have been altered, will void the Makita warranty for the Makita tool and charger.

### Installing the soft bended rod antenna (Fig. 9 & 10)

Install the soft bended rod antenna as shown in the figure.

**Note:**

There is a click in the battery compartment designed to store the removed antenna.

### Using Supplied AC power adaptor (Fig. 11)

Remove the rubber protector and insert the adaptor plug into the DC socket on the front side of the radio. Plug the adaptor into a standard mains socket outlet. Whenever the adaptor is used, the battery pack is automatically disconnected. The AC adaptor should be disconnected from the main supply when not in use.

**Note:**

When your radio has any interference in AM band by its adaptor, please move your radio away from its AC adaptor over 30 cm.

### Setting the clock

- Clock can be set either when the radio is power on or off.
- Display will show "-: -:" when the back up batteries are installed.

3. Long press the time set button  $\text{C}_{\text{SET}}$  for more than 2 seconds, display will flash time set symbol  $\text{C}_{\text{SET}}$  and also the hour digit, followed by a beep.
4. Rotate Tuning/Volume control knob to set the required hour.
5. Press  $\text{C}_{\text{SET}}$  button to confirm hour setting, the minute digit will flash.
6. Rotate Tuning/Volume control knob to set the required minute.
7. Press the  $\text{C}_{\text{SET}}$  button again to complete clock setting.

## Operating the radio

This radio equips with three tuning methods - Scan tuning, Manual tuning and Memory presets recall.

### Scan Tuning

1. Press the Power button to turn on the radio.
2. Select the required waveband by pressing the Band button. Make sure the rubber bended rod antenna has been well placed for best FM reception. For AM (MW) band, rotate the radio to get best signal. Try to avoid operating the radio next to computer screen and other equipment which will cause interference to the radio.
3. Press and release Scan button (long press Scan button more than 2 seconds will activate time setting), LCD display will flash Scan symbol and the radio will search and stop automatically when it finds a radio station. Press the Scan button again to pick up the found station.

#### Note:

A stereo symbol will appear on the display, if the station found is a stereo station.

#### Note:

The radio will continue to search next available stations if you do not press Scan button again when it finds a radio station.

4. Rotate the Tuning/Volume control knob to get required sound level. LCD display will show sound level changes.

#### Note:

During operating volume control, you can press in Tuning/Volume control knob to change volume control to tuning control status.

5. To turn off the radio, press the Power button. Display will show OFF.

## Manual Tuning

1. Press the Power button to turn on the radio.
2. Select the required waveband by pressing the Band button. Adjust the antenna as described above.
3. A single rotary to the Tuning/Volume control knob will change the frequency in the following increment:  
FM: 50 or 100 kHz  
AM (MW): 9 or 10 kHz

#### Note:

If the radio is in volume control status, press in the tuning/volume control to become Tuning status.

4. Keep on rotating the Tuning/Volume control knob until the required frequency shown on the display.
5. Rotate the Tuning/Volume control knob to get required sound level.
6. To turn off the radio, press the Power button. Display will show OFF.

## Storing stations in preset memories

There are 5 memory presets for each waveband.

1. Press the Power button to turn on the radio.
2. Tune to required station using one of the methods previously described.
3. Press and hold down the required preset until radio beeps. The preset number will appear in the display and the station will be stored under chosen preset button.
4. Repeat this procedure for the remaining presets.
5. Stations stored in preset memories can be overwritten by following above procedures.

## Recall stations from preset memories

1. Press the Power button to turn on the radio.
2. Select the required waveband.
3. Momentarily press the required Preset button, the preset number and station frequency will appear in the display.

## Setting the radio alarm

When the radio alarm is selected, the radio will turn on and play the chosen radio station at the chosen alarm time. The radio alarm will continue for one hour unless turned off by pressing the Power button. Pressing the Power button whilst the alarm is activated will cancel the alarm for 24 hours.

#### Note:

When the radio is in low battery status, the radio alarm can't be activated.

### a. Setting radio alarm time:

1. The radio alarm can be set either when radio is on or off.
2. Press and release radio alarm button  $\text{C}_{\text{ALARM}}$ , the radio alarm symbol will flash.
3. During radio alarm symbol flashing, press  $\text{C}_{\text{SET}}$  button for more than 2 seconds followed by a beep.
4. Display Hour will flash, rotate Tuning/Volume control knob to select the hour then press  $\text{C}_{\text{SET}}$  button again to confirm hour setting.
5. Follow same procedures of setting hour to set required minute. Press  $\text{C}_{\text{SET}}$  button to complete alarm time setting.

## b. Setting radio alarmed station

1. During setting radio alarm time and radio alarm symbol is flashing, press Band button to activate the radio to select required wake-up band and station by manual tuning and recall the preset stations. Press button to complete radio alarm setting. Display will show .
2. When above radio alarm time and station are set, press and hold down radio alarm button for 2 seconds followed by a beep to switch alarm on or off. Display will show when radio alarm is set.

### Note:

If new radio alarm station is not selected, it will select the last alarm station.

## Setting the HWS (Humane Wake System) buzzer alarm

A beep tone will activate when selecting the HWS buzzer alarm.

The alarm beep will become shorter every 15 seconds for one minute followed by one minute silence before repeating the cycle.

The HWS alarm will sound for one hour until turning off by pressing the Power button. Press the Power button whilst the alarm is activated will cancel the alarm for 24 hours.

1. The HWS buzzer alarm can be set either radio is on or off.
2. Press and release the HWS buzzer alarm button , the symbol will flash.
3. During the symbol flashes, long pressing the button for more than 2 seconds followed by a beep and display Hour digit will flash.
4. Rotate Tuning/Volume control knob to select required alarm hour, then press time set button again. The minute digit will then flash.
5. Rotate Tuning/Volume control knob to select required alarm minute, the press time set button again to complete HWS buzzer alarm setting.
6. Press and hold down buzzer alarm button for more than 2 seconds followed by a beep to switch on or off the HWS buzzer alarm.  
Display will appear when buzzer alarm has been set.

## Snooze function

1. Whilst the alarm is activated, pressing any buttons except the Power button will activate the snooze function. The radio or HWS buzzer alarm will be silenced with interval of 5 minutes.
2. The display will flash both the snooze symbol and the alarm symbol. The snooze function can be repeatedly during one hour that the alarms are active.

## Sleep function

The sleep timer will automatically switch off the radio after a preset time has elapsed.

1. Press and continue to hold down the Power button for more than 2 seconds, followed by a beep tone, the

display will cycle through the available sleep times in the order 60-45-30-15-120-90-60.

Release the Power button when the required sleep time appears in the display. The symbol will appear in the display and the radio will play the last station selected.

2. To cancel the sleep function, press the Power button. The Symbol will disappear and radio is off.

## Display illumination

Press any buttons or rotate Tuning/Volume control knob will illuminate the LCD display for approx. 15 seconds. During scanning stations and alarm activated, will also automatically illuminate the display.

## Change Stereo to Mono

When the stereo FM station reception is weak, you can improve it by pressing Mono button for 2 seconds. The sound is no longer in stereo and stereo indicator disappears.

## How to play other audios

### CAUTION:

**Unplug this apparatus before connecting other audios.**

- There are 2 AUX in sockets. AUX 1 is located on the front panel, and AUX 2 is located in the battery compartment.
- Connect a stereo or mono source (i.e. iPod, MP3, or CD player) to either AUX 1 or AUX 2 by audio cord.
- Repeatedly press and release the Band button until "AU1" or "AU2" is displayed, then AUX function is activated.
- AUX can't be activated as alarm source.

## MAINTENANCE

### CAUTION:

- Never use gasoline, benzine, thinner, alcohol or the like. Discoloration, deformation or cracks may result.

## Specifications:

### Power Requirements

AC power adaptor DC12 V 700 mA, center pin positive

### Battery

UM-3 (AA size) x 2 for back up  
Cluster battery: 7.2 V - 10.8 V  
Slide battery: 10.8 V - 18 V

### Frequency coverage

FM 87.50 - 108 MHz  
(0.1 MHz/step)  
AM (MW) 520 - 1,710 kHz  
(10 kHz/step)

### Circuit feature

### Loudspeaker

3 inches 8 ohm

### Output Power

7.2 V: 0.5 W x 2, 10.8 V: 1.2 W x 2,  
14.4 V: 2.2 W x 2, 18 V: 3.5 W x 2

### Input terminal

3.5 mm dia. (AUX IN1/AUX IN2)

### Antenna system

FM: soft bended rod antenna  
AM: bar antenna

Dimension (W x H x D) in mm

280 x 302 x 163

(11" x 11-7/8" x 6-3/8")

Weight

Battery cartridge	(kg)	(lbs)
(Without battery)	4.0	8.9
BL0715	4.1	9.1
BL7010		
BL1014	4.2	9.3
BL1016		
BL1021B		
BL1415	4.3	9.5
BL1415N		
BL1041B	4.4	9.7
BL1815		
BL1815N		
BL1820		
BL1820B		
BL1430	4.5	10.0
BL1430B		
BL1440		
BL1450		
BL1460B		
BL1830	4.6	10.2
BL1830B		
BL1840		
BL1840B		
BL1850		
BL1850B		
BL1860B		


### CONSIGNES DE SÉCURITÉ IMPORTANTES

#### **AVERTISSEMENT :**

Lors de l'utilisation d'outils électriques, il faut toujours prendre des précautions élémentaires de sécurité, dont les suivantes, pour réduire les risques d'incendie, de décharge électrique et de blessure.

1. Lisez attentivement ce manuel d'instructions et celui du chargeur avant l'utilisation.
2. Nettoyez uniquement avec un chiffon sec.
3. Ne bloquez aucun orifice de ventilation. Installez conformément aux instructions du fabricant.
4. Ne pas installer près de sources de chaleur telles que des radiateurs, des grilles de chauffage, des fourneaux ou tout autre appareil (y compris des amplificateurs) produisant de la chaleur.
5. N'utilisez que les accessoires spécifiés par le fabricant.
6. Débranchez cet appareil en cas d'orages ou d'inutilisation pendant des périodes prolongées.
7. Une radio alimentée par une batterie avec des batteries intégrées ou un pack de batterie distinct ne doit être rechargée qu'avec le chargeur spécifié pour la batterie. Un chargeur conçu pour un certain type de batterie risque de déclencher un incendie s'il est utilisé avec une autre batterie.
8. N'utilisez la radio alimentée par batterie qu'avec des batteries spécifiques. D'autres batteries risqueraient de vous blesser ou de provoquer un incendie.
9. Lorsque vous n'utilisez pas la batterie, rangez-la à l'écart des objets tels que : trombones, pièces de monnaie, clés, clous, vis et autres petits objets métalliques qui risquent d'établir une connexion entre les bornes. Un court-circuit entre les bornes de la batterie peut provoquer des étincelles, des brûlures ou un incendie.
10. Évitez de toucher des surfaces mises à la masse ou à la terre telles que tuyaux, radiateurs, cuisinières et réfrigérateurs. Ce faisant, vous vous exposeriez à un choc électrique.
11. Dans des conditions d'utilisation inadéquates de la batterie, il peut y avoir fuite d'électrolyte. En cas de contact accidentel, rincez avec beaucoup d'eau. Si du liquide entre en contact avec les yeux, consultez un médecin. Le liquide qui gicle de la batterie peut provoquer des irritations ou des brûlures.

### CONSERVEZ CE MODE D'EMPLOI.

 **ATTENTION :** Utilisez uniquement des batteries au lithium-ion Makita d'origine. L'utilisation de batteries autres que les batteries d'origine Makita, ou encore de batteries qui ont été modifiées peut entraîner l'explosion de la batterie et provoquer des incendies, des blessures et d'autres dommages.

## RÈGLES DE SÉCURITÉ PARTICULIÈRES

### POUR LA BATTERIE

1. Avant d'utiliser la batterie, lisez toutes les instructions et précautions relatives (1) au chargeur de batterie, (2) à la batterie et (3) à l'appareil utilisant la batterie.
2. Ne démontez pas la batterie.
3. Cessez immédiatement l'utilisation si le temps de fonctionnement devient excessivement court. Il existe un risque de surchauffe, de brûlures, voire d'explosion.
4. Si de l'électrolyte pénètre dans vos yeux, rincez-les avec de l'eau et consultez immédiatement un médecin. Il existe un risque de cécité.
5. Ne court-circuitez pas la batterie :
  - (1) Ne touchez pas les bornes avec un matériau conducteur.
  - (2) Évitez de ranger la batterie dans un conteneur avec tout objet métallique tel que des clous, des pièces de monnaie, etc.
  - (3) N'exposez pas la batterie à l'eau ou à la pluie. Un court-circuit peut causer un fort courant, une surchauffe, parfois des brûlures et même une panne de l'outil.
6. Ne rangez pas l'outil ou la batterie dans des endroits où la température risque d'atteindre ou de dépasser 50 °C (122 °F).
7. Ne jetez pas la batterie au feu même si elle est sérieusement endommagée ou complètement épuisée. Au contact du feu, la batterie peut exploser.
8. Évitez de faire tomber ou de heurter la batterie.
9. N'utilisez pas la batterie si elle est tombée ou si elle a été heurtée. (N'utilisez pas une batterie si elle est endommagée.)

Pour les États-Unis :



### Attention à l'intention de l'utilisateur

Tout changement ou modification non expressément approuvés par la partie responsable de la conformité peut entraîner l'annulation du droit de l'utilisateur à utiliser cet appareil.

### Énoncé sur l'exposition aux RF

**NOTE IMPORTANTE :** Pour répondre aux exigences de conformité à l'exposition RF FCC, l'antenne utilisée avec l'émetteur doit être installée pour permettre une distance de séparation d'au moins 20cm de toute personne et ne doit pas être placée à côté ou fonctionner conjointement avec une autre antenne ou un autre émetteur. Aucun changement sur l'antenne ou sur l'appareil n'est autorisé. Tout changement sur l'antenne ou l'appareil pourrait amener l'appareil à dépasser les exigences d'exposition RF et annuler le droit de l'utilisateur d'utiliser l'appareil.

**REMARQUE :** cet équipement a été testé et déclaré conforme aux limites des appareils numériques de Classe B ; en accord avec le chapitre 15 du règlement de la FCC. Ces limites ont pour objectif de fournir une protection raisonnable contre les interférences nuisibles dans une installation résidentielle.

Cet équipement génère, utilise et rayonne de l'énergie de fréquence radio et peut nuire aux communications radio s'il n'est pas installé et utilisé en accord avec les instructions du mode d'emploi. Cependant, il n'est pas garanti que des interférences surviennent dans une installation particulière. Si l'équipement cause des interférences nuisibles à la réception radio ou télévision, qui peuvent être localisées en allumant ou en éteignant l'équipement, l'utilisateur est encouragé à corriger les interférences en employant une ou plusieurs des mesures suivantes :

- Réorienter ou déplacer l'antenne de réception.
- Séparer davantage l'équipement et le récepteur.
- Connecter l'équipement à une prise de courant située sur un circuit différent de celui du récepteur.
- Demandez assistance à un revendeur ou un technicien expérimenté dans le domaine radio/TV.

## Caractéristiques :

- Synthétiseur PLL AM/FM stéréo
- Écran LCD lumineux
- Recherche manuelle/présélection/automatique
- Réglage du son
- Présélections de 5 radios sur chaque bande
- Horloge et deux alarmes (radio et buzzer) avec fonction « sieste »
- Radio réveil (arrêt automatique)
- Haut-parleur stéréo de haute qualité
- Design dépoli
- Résistance à l'eau - IPX 4
- N'utilisez pas la batterie si elle est tombée ou si elle a été heurtée. (N'utilisez pas une batterie si elle est endommagée.)

## Descriptif (Fig. 1)

### Contrôles :

1. Mise en marche et fonction de sommeil
2. Boutons de fréquence et mono
3. Alarme radio
4. Buzzer
5. Stations présélectionnées
6. Recherche automatique et réglage de l'heure
7. Bouton de commande Réglage/Volume
8. Entrée électricité
9. Borne d'entrée (AUX IN1)
10. Antenne à tige souple
11. Compartiment des batteries (couvrant le bloc-batterie principal et les batteries de secours)
12. Poignée
13. Haut-parleur
14. Casier des batteries
15. Compartiment des batteries principales
16. Compartiment des batteries de secours
17. Indicateur rouge
18. Bouton
19. Batterie
20. Borne d'entrée (AUX IN2)
21. Avant
22. Droite
23. Arrière ; couvercle de batterie fermé
24. Arrière ; couvercle de batterie ouvert
25. Témoins
26. Bouton de vérification

### Écran LCD :

- A. Alarme radio
- B. Buzzer
- C. Recherche automatique
- D. Indicateur de bande
- E. Niveau de charge des batteries
- F. Stations présélectionnées
- G. Statut « sommeil » et « sieste »
- H. Fréquence
- I. Volume stéréo
- J. Horloge
- K. Réglage de l'heure
- L. PM (soir) pour l'horloge

## Installation des batteries

### Remarque :

Laisser des batteries de secours dans le compartiment permet d'éviter la perte de données enregistrées dans les mémoires préréglées.

### Installation de la batterie de secours

1. Retirer le casier des batteries pour libérer de l'espace pour les batteries. Il y a un compartiment pour les batteries principales et un compartiment pour les batteries de secours. (Fig. 2 et 3)
2. Enlever le couvercle du compartiment des batteries de secours et insérer 2 batteries UM-3 (dimension AA). Vérifier que les batteries sont installées en respectant



les polarités comme indiqué dans le compartiment. Remettre le couvercle.

- Après avoir introduit les batteries de secours, mettre les batteries principales dans la radio. Les batteries compatibles pour cette radio sont répertoriées dans le tableau suivant.

Le tableau suivant indique le temps de fonctionnement par charge.

Capacité de la batterie	Tension de la batterie				À LA SORTIE DU HAUT-PARLEUR = 50 mW + 50 mW (unité : Heure) (Environ)
	7,2 V	10,8 V – 12V max	14,4 V	18 V	
1,0 Ah	BL7010				7,0
1,3 Ah		BL1014			8,5
			BL1415	BL1815	9,0
1,5 Ah	BL0715				10
		BL1016			9,5
			BL1415N	BL1815N	10
2,0 Ah		BL1021B			13
				BL1820	14
				BL1820B	
3,0 Ah			BL1430		20
			BL1430B		
				BL1830	21
				BL1830B	
4,0 Ah		BL1041B			26
			BL1440		27
				BL1840	28
				BL1840B	
5,0 Ah			BL1450		34
				BL1850	35
				BL1850B	
6,0 Ah			BL1460B		41
				BL1860B	42

 : batterie pod

 : batterie à glissière

#### Remarque :

Le temps de fonctionnement des batteries indiqué ci-dessus est fourni à titre informatif. Le temps de fonctionnement réel peut varier en fonction du type de batterie, des conditions de recharge ou de l'environnement d'utilisation.

### Installation ou retrait de la batterie à glissière (Fig. 4 et 5)

- Pour installer la batterie, aligner sa languette sur la rainure qui se trouve à l'intérieur du carter, puis glisser la batterie pour la mettre en place. Toujours l'insérer


bien à fond, jusqu'à ce qu'elle se verrouille en émettant un léger clic.

- Si l'indicateur rouge sur la face supérieure du bouton est visible, la batterie n'est pas parfaitement verrouillée. L'insérer à fond jusqu'à ce que l'indicateur rouge ne soit plus visible. Sinon, elle risque de tomber accidentellement de l'outil, en vous blessant ou en blessant une personne située près de vous.
- Ne pas installer la batterie par la force. Si la batterie ne glisse pas facilement, c'est qu'elle n'est pas insérée correctement.
- Pour retirer la batterie, faire glisser le bouton à l'avant de la batterie et sortir la batterie, ou appuyer sur les boutons situés des deux côtés de la batterie.

### Installation ou retrait de la batterie pod (Fig. 6 et 7)


- Retirer la barre de soutien pour pouvoir insérer entièrement la batterie.
- Pour insérer la batterie, aligner sa languette sur la rainure qui se trouve à l'intérieur du carter, puis glisser la batterie pour la mettre en place.
- Relâcher la barre de soutien.
- Pour retirer la batterie, retirer la barre de soutien et sortir la batterie du boîtier.

Remettre en place le casier des batteries à sa position d'origine.

Une réduction de puissance, une distorsion, un son nasillard ou l'apparition de l'indicateur de charge de la batterie  sur l'écran sont les signes qu'il est nécessaire de changer de batteries.

#### Remarque :

Les batteries ne peuvent pas être rechargées à l'aide de l'adaptateur secteur fourni.

Quand le témoin de charge de la batterie  apparaît et qu'un « E » clignote, il est temps de changer les batteries.

### Afficher la capacité résiduelle de la batterie (Fig. 8)

**Uniquement pour les batteries dont le numéro de modèle se termine par « B »**

Appuyez sur le bouton de vérification sur la batterie pour afficher la capacité résiduelle de la batterie. Les témoins s'allument pendant quelques secondes.

Témoins			Capacité résiduelle
Allumé	Éteint	Clignotant	
			75 % à 100 %
			50 % à 75 %
			25 % à 50 %
			0 % à 25 %
			Chargez la batterie.
			La batterie peut avoir présenté un défaut de fonctionnement.

015658

#### Remarque :

- Selon les conditions d'utilisation et la température ambiante, il est possible que la capacité relevée soit légèrement différente par rapport à la capacité réelle.

L'utilisation de batteries autres que les batteries d'origine Makita, ou encore de batteries qui ont été modifiées, annulerait la garantie de Makita s'appliquant à l'outil Makita et au chargeur.

## Installation de l'antenne à tige souple (Fig. 9 et 10)

Procéder comme indiqué sur la figure pour installer l'antenne à tige souple.

#### Remarque :

Le compartiment des batteries contient un emplacement conçu pour placer l'antenne retirée.

## Utilisation de l'adaptateur secteur fourni (Fig. 11)

Retirer le capuchon en caoutchouc et insérer la fiche de l'adaptateur dans la prise secteur sur la façade de la radio. Brancher l'adaptateur dans une prise de courant standard. En cas d'utilisation de l'adaptateur, les piles sont automatiquement déconnectées. Débrancher l'adaptateur secteur de l'alimentation lorsqu'il n'est pas utilisé.

#### Remarque :

En cas d'interférences de la radio avec son adaptateur en mode AM, l'éloigner de plus de 30 cm de son adaptateur secteur.

## Réglage de l'heure

1. Le réglage de l'heure peut s'effectuer que la radio soit en marche ou à l'arrêt.

2. A l'écran apparaît « -: - » quand les batteries de secours sont installées.
3. Appuyer sur le bouton de réglage de l'heure  $C_{SET}$  plus de 2 secondes. Le symbole  $C_{SET}$  clignote à l'écran, ainsi que le chiffre des heures, suivi d'un bip.
4. Tourner le bouton de commande Réglage/Volume pour sélectionner l'heure.
5. Appuyer sur le bouton  $C_{SET}$  pour confirmer. Le chiffre des minutes clignote.
6. Tourner le bouton de commande Réglage/Volume pour sélectionner la minute.
7. Appuyer de nouveau sur le bouton  $C_{SET}$  pour terminer le réglage de l'heure.

## Utilisation de la radio

Cette radio est équipée de trois méthodes de recherche - recherche automatique, recherche manuelle et stations présélectionnées.

## Recherche automatique

1. Appuyer sur le bouton de mise en marche pour activer la radio.
2. Sélectionner la bande de fréquence en appuyant sur le bouton de fréquence. S'assurer que l'antenne est dans la meilleure position de réception (FM). Pour la bande (AM (MW)), faire tourner la radio pour obtenir le meilleur signal. Eviter de manipuler la radio à côté d'un écran d'ordinateur ou d'un autre équipement qui pourrait provoquer des interférences sur la radio.
3. Appuyer sur le bouton de recherche puis le relâcher (ne pas appuyer plus de 2 secondes car cela pourrait activer le réglage de l'heure). L'écran LCD affiche le symbole de recherche et la radio recherche et s'arrête automatiquement lorsqu'elle trouve une station de radio. Appuyer sur le bouton de recherche pour enregistrer la station.

#### Remarque :

Le symbole Stéréo apparaît sur l'écran si la station trouvée est en stéréo.

#### Remarque :

La radio continue à rechercher les stations tant que vous n'appuyez pas sur le bouton de recherche.

4. Tourner le bouton de commande Réglage/Volume pour avoir le niveau sonore nécessaire. Le niveau sonore apparaît sur l'écran LCD.

#### Remarque :

Pour passer du contrôle du volume au contrôle du tuner et vice-versa, appuyer sur le bouton de contrôle Réglage/Volume.

5. Pour éteindre la radio, appuyer sur le bouton de mise en marche. L'écran affiche OFF.

## Réglage manuel

1. Appuyer sur le bouton de mise en marche pour activer la radio.

2. Sélectionner la bande de fréquence en appuyant sur le bouton de fréquence. Régler l'antenne comme indiqué ci-dessus.
3. Une simple rotation du bouton de commande Réglage/Volume modifiera la fréquence :  
FM : 50 ou 100 kHz  
AM (MW) : 9 ou 10 kHz

**Remarque :**

Si le volume de la radio est préréglé, appuyer sur le bouton de réglage pour avoir un nouveau statut.

4. Tourner le bouton de commande Réglage/Volume jusqu'à ce que la fréquence requise apparaisse sur l'écran.
5. Tourner le bouton de commande Réglage/Volume pour avoir le niveau sonore nécessaire.
6. Pour éteindre la radio, appuyer sur le bouton de mise en marche. L'écran affiche OFF.

## Stockage des stations de radio en mémoire présélectionnée

Il y a 5 mémoires présélectionnées sur chaque bande de fréquence.

1. Appuyer sur le bouton de mise en marche pour activer la radio.
2. Rechercher la station choisie comme décrit précédemment.
3. Appuyer sur le bouton et le maintenir enfoncé jusqu'à ce que la radio émette un bip. La station sélectionnée apparaît sur l'écran, et la station est stockée en mémoire sous le bouton choisi.
4. Répéter l'opération pour les autres présélections.
5. Les stations stockées en mémoire peuvent être remplacées par l'exécution d'une nouvelle procédure.

## Rappel des stations de radio en mémoire

1. Appuyer sur le bouton de mise en marche pour activer la radio.
2. Sélectionner la bande de fréquence souhaitée.
3. Appuyer momentanément sur le bouton de présélection. Le numéro de la station et la fréquence apparaissent sur l'écran.

## Réglage de l'alarme radio

Quand l'alarme radio est sélectionnée, la radio se met en marche toute seule à l'heure choisie. L'alarme radio fonctionne pendant une heure sauf si le bouton de mise en marche est enfoncé. Appuyer sur le bouton de mise en marche pour désactiver l'alarme radio pendant 24 heures.

**Remarque :**

Quand le niveau de charge des batteries est très bas, l'alarme radio ne peut pas fonctionner.

### a. Réglage de l'heure de l'alarme radio :

1. L'alarme radio peut être réglée que la radio soit en marche ou à l'arrêt.

2. Appuyer sur le bouton de réglage de l'alarme radio (🕒-🔊) et le relâcher. Le symbole de l'alarme radio clignote.
3. Pendant que le symbole de l'alarme radio clignote, appuyer sur le bouton  $\text{C}_{\text{SET}}$  pendant plus de 2 secondes, suivi d'un bip.
4. L'heure à l'écran clignote, tourner le bouton de commande Réglage/Volume pour sélectionner l'heure puis appuyer de nouveau sur le bouton  $\text{C}_{\text{SET}}$  pour confirmer l'heure choisie.
5. Procéder de la même façon que pour l'heure pour régler les minutes. Appuyer sur le bouton  $\text{C}_{\text{SET}}$  pour finir le réglage.

### b. Réglage de la station de l'alarme radio

1. Pendant le réglage de l'heure et quand le symbole de l'alarme radio clignote, appuyer sur le bouton de fréquence pour sélectionner la fréquence et la station soit manuellement soit au moyen des stations présélectionnées. Appuyer sur le bouton (🕒-🔊) pour finir le réglage. L'écran affiche (🕒-🔊).
2. Quand l'heure de l'alarme radio et la station sont réglées, appuyer sur le bouton de l'alarme radio (🕒-🔊) et le maintenir enfoncé pendant plus de 2 secondes, suivi d'un bip. (🕒-🔊) apparaît à l'écran quand l'alarme radio est réglée.

**Remarque :**

Si la nouvelle station radio n'est pas sélectionnée, c'est la dernière station radio qui est choisie.

## Réglage du buzzer (signal sonore)

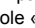
Lorsque le buzzer est sélectionné, un signal sonore est émis.

Les bips d'alarme deviennent de plus en plus courts toutes les 15 secondes ; ils sonnent pendant une minute puis s'arrêtent pendant une minute, puis ce cycle recommence.

Le buzzer fonctionne pendant une heure sauf si la radio est arrêtée. Appuyer sur le bouton de mise en marche pour désactiver l'alarme pendant 24 heures.


1. Le buzzer peut être réglé que la radio soit en marche ou à l'arrêt.
2. Appuyer sur le bouton du buzzer (🕒-🔊) et le relâcher. Le symbole clignote.
3. Pendant le clignotement du symbole, appuyer sur le bouton  $\text{C}_{\text{SET}}$  pendant plus de 2 secondes suivi d'un bip et le chiffre des heures clignote.
4. Tourner le bouton de commande Réglage/Volume pour choisir l'heure désirée puis appuyer de nouveau sur le bouton  $\text{C}_{\text{SET}}$ . Le chiffre des minutes clignote.
5. Tourner le bouton de commande Réglage/Volume pour choisir la minute désirée, puis appuyer de nouveau sur le bouton  $\text{C}_{\text{SET}}$  pour terminer le réglage du buzzer.
6. Appuyer sur le bouton d'alarme du buzzer (🕒-🔊) et le maintenir enfoncé pendant plus de 2 secondes suivi d'un bip pour arrêter ou mettre en marche le buzzer. Le symbole (🕒-🔊) apparaît sur l'écran lorsque le buzzer est réglé.

## Fonction « Sieste »

1. Quand l'alarme fonctionne, appuyer sur n'importe quel bouton, sauf le bouton de mise en marche, pour arrêter l'alarme. L'alarme radio ou le buzzer reste silencieux par intervalle de 5 minutes.
2. Le symbole « sieste »  et le symbole d'alarme clignotent à l'écran. La fonction « sieste » peut être active pendant une heure.

## Fonction « Sommeil »

La fonction de sommeil arrête automatiquement la radio en fonction de l'heure choisie pour l'arrêt.

1. Appuyer sur le bouton de mise en marche et le maintenir enfoncé pendant plus de 2 secondes, suivi d'un bip. L'écran affiche les plages disponibles pour l'arrêt de la radio : 60-45-30-15-120-90-60. Relâcher le bouton de mise en marche quand l'heure sélectionnée apparaît à l'écran. Le symbole  apparaît à l'écran et la radio se met en marche sur la dernière station sélectionnée.
2. Pour désactiver la fonction de sommeil, appuyer sur le bouton de mise en marche. Le symbole disparaît et la radio est arrêtée.

## Eclairage de l'écran

Appuyer sur n'importe quel bouton ou tourner sur le bouton de commande Réglage/Volume et l'écran LCD s'éclaire pendant environ 15 secondes. Pendant la recherche de stations ou le réglage de l'alarme, l'écran s'éclaire automatiquement.

## Changement de stéréo en mono

Quand la réception d'une station stéréo est faible (FM), il est possible de l'améliorer en appuyant sur le bouton Mono pendant 2 secondes. Le son n'est plus en stéréo et l'indicateur Stéréo disparaît.

## Comment faire jouer d'autres appareils audio

### ATTENTION :

**Débrancher cet appareil avant d'y raccorder d'autres appareils audio.**

- Il y a 2 prises d'entrée AUX. La prise AUX 1 se trouve sur le panneau avant, et la prise AUX 2 dans le compartiment des batteries.
- Raccorder une source stéréo ou mono (par exemple un lecteur iPod, MP3 ou CD) à la prise AUX 1 ou AUX 2 au moyen d'un câble audio.
- Appuyer sur le bouton de fréquence et le relâcher plusieurs fois jusqu'à ce que « AU1 » ou « AU2 » s'affiche pour activer la fonction AUX.
- Il n'est pas possible d'activer AUX comme source d'alarme.

## ENTRETIEN

### ATTENTION :

- N'utilisez jamais d'essence, de benzine, de solvant, d'alcool ou tout autre produit similaire. Cela pourrait provoquer une décoloration, une déformation ou la formation de fissures.

## Caractéristiques :

Conditions d'alimentation

Adaptateur secteur DC12 V 700 mA, positif sur broche centrale

Batterie UM-3 (dimension AA) x 2 batteries de secours

Batterie pod : 7,2 V - 10,8 V

Batterie à glissière : 10,8 V - 18 V

Fréquence FM 87,50 - 108 MHz

(0,1 MHz/pas)

AM (MW) 520 - 1 710 kHz

(10 kHz/pas)

Caractéristiques du circuit

Haut-parleur 3 pouces 8 ohm

Puissance de sortie 7,2 V : 0,5 W x 2, 10,8 V : 1,2 W x 2, 14,4 V : 2,2 W x 2, 18 V : 3,5 W x 2

Borne d'entrée 3,5 mm de dia. (AUX IN1/AUX IN2)

Antenne FM : antenne à tige souple

AM : antenne droite

Dimension (L x H x P) en mm

280 x 302 x 163

(11" x 11-7/8" x 6-3/8")

Poids

Batterie	(kg)	(lbs)
(sans batterie)	4,0	8,9
BL0715	4,1	9,1
BL7010		
BL1014	4,2	9,3
BL1016		
BL1021B		
BL1415	4,3	9,5
BL1415N		
BL1041B	4,4	9,7
BL1815		
BL1815N		
BL1820		
BL1820B		
BL1430	4,5	10,0
BL1430B		
BL1440		
BL1450		
BL1460B		
BL1830	4,6	10,2
BL1830B		
BL1840		
BL1840B		
BL1850		
BL1850B		
BL1860B		


### INSTRUCCIONES IMPORTANTES DE SEGURIDAD

#### **ADVERTENCIA:**

Cuando utilice herramientas eléctricas, deberá tomar siempre precauciones de seguridad básicas, incluyendo las siguientes, para reducir el riesgo de incendios, descargas eléctricas y heridas personales:

1. Lea este manual de instrucciones y el manual de instrucciones del cargador con cuidado antes de usar.
2. Limpie sólo con un paño limpio.
3. No obstruya ninguna apertura de ventilación. Instale de acuerdo a las instrucciones del fabricante.
4. No instale cerca de fuentes de calor como radiadores, registradores de temperatura, estufas u otros aparatos (incluidos amplificadores) generadores de calor.
5. Utilice sólo accesorios que especifique el fabricante.
6. Desconecte este aparato durante tormentas eléctricas o cuando no lo utilice por periodos prolongados de tiempo.
7. Una radio a baterías con baterías integrales o con un paquete de baterías independiente debe recargarse sólo con el cargador especificado para la batería. Un cargador que puede ser adecuado para un tipo de batería puede generar un riesgo de incendio cuando se utiliza con otra batería.
8. Utilice la radio a baterías sólo con los paquetes de baterías diseñados específicamente para ella. El uso de cualquier otro tipo de baterías puede provocar un riesgo de incendio.
9. Cuando no se esté utilizando el paquete de baterías, manténgalo alejado de objetos metálicos como: sujetapapeles, monedas, llaves, clavos, tornillos y otros objetos metálicos pequeños que pueden hacer una conexión desde un terminal a otro. Si ocasiona un cortocircuito uniendo los terminales de la batería puede provocar, chispas, quemaduras o un incendio.
10. Evite el contacto del cuerpo con superficies aterrizadas como tubería, radiadores, estufas y refrigeradores. Existe un incremento de riesgo de descarga eléctrica si su cuerpo está aterrizado.
11. Puede que en condiciones abusivas se fugue líquido de la batería; evite tocarlo. Si lo toca accidentalmente, enjuague con agua. Si hay contacto del líquido con los ojos, acuda por atención médica. Puede que el líquido expulsado de la batería cause irritación o quemaduras.

### CONSERVE ESTAS INSTRUCCIONES.

 **PRECAUCIÓN:** Use solamente baterías de iones de litio originales de Makita. El uso de baterías no originales de Makita, o de baterías que hayan sido alteradas, puede que resulte en que la batería estalle ocasionando incendios, así como daños y lesiones al usuario.

## NORMAS ESPECÍFICAS DE SEGURIDAD

### PARA CARTUCHO DE BATERÍA

1. Antes de utilizar el cartucho de batería, lea todas las instrucciones e indicaciones de precaución sobre (1) el cargador de batería, (2) la batería, y (3) el producto con el que se utiliza la batería.
2. No desarme el cartucho de batería.
3. Si el tiempo de uso del cartucho de batería se acerca demasiado, deje de usarlo inmediatamente. Podría resultar en un riesgo de sobrecalentamiento, posibles quemaduras e incluso una explosión.
4. En caso de que ingresen electrolitos en sus ojos, enjuáguelos bien con agua limpia y acuda a un médico de inmediato. Esto podría ocasionar la pérdida de la visión.
5. No cierre el circuito entre los terminales del cartucho de batería:
  - (1) No toque los terminales con ningún material conductor.
  - (2) Evite guardar el cartucho de batería en algún cajón junto con cualquier otro objeto metálico, como clavos, monedas, etc.
  - (3) No exponga el cartucho de batería a la lluvia ni a la nieve. Un cortocircuito puede provocar un elevado flujo de corriente, sobrecalentamiento, posibles quemaduras e incluso una avería.
6. No guarde la herramienta ni el cartucho de la batería en lugares donde la temperatura pueda alcanzar o exceder los 50°C (122°F).
7. Nunca incinere el cartucho de batería incluso en el caso de que esté dañado seriamente o ya no sirva en lo absoluto. El cartucho de batería puede explotar si se arroja al fuego.
8. Tenga cuidado de no dejar caer ni golpear el cartucho de batería.
9. No use una batería que ha sufrido impactos por caídas o golpes (no use con una batería dañada).

Para Estados Unidos:



### Precauciones para el usuario

Los cambios o modificaciones que no hayan sido expresamente autorizados por la entidad responsable por el cumplimiento de las regulaciones podrían anular la autoridad del usuario de utilizar este equipo.

### Declaraciones sobre la exposición de radiofrecuencia (RF)

**NOTA IMPORTANTE:** Para cumplir con los requisitos de exposición humana a los campos de radiofrecuencia (RF) de la FCC, la o las antenas usadas para este transmisor deben instalarse a una distancia mínima de 20 centímetros de cualquier persona y no deben ser colocadas ni funcionar junto a otras antenas o transmisores. No se permite ningún cambio en la antena o dispositivo. Cualquier cambio en la antena o dispositivo podría resultar en el dispositivo excediendo los requisitos de exposición humana a los campos de radiofrecuencia y anular la autoridad del usuario para operar el dispositivo.

**NOTA:** Este equipo ha sido probado y cumple con los límites correspondientes a un equipo digital de Clase B, según lo señalado en la Parte 15 de las Normas FCC (la Comisión Federal de Comunicaciones de EE. UU.). Estos límites están diseñados para proporcionar protección razonable contra interferencias perjudiciales en una instalación residencial. Este equipo genera, utiliza y puede emitir energía de frecuencias de radio y, si no es instalado y usado de acuerdo a las instrucciones, puede causar interferencias perjudiciales en las comunicaciones de radio. Sin embargo, no hay garantía de que no ocurrirán las interferencias en una instalación determinada. Si este equipo causa interferencias perjudiciales en la recepción de radio o televisión, que se pueden identificar encendiendo y apagando el equipo, recomendamos al usuario que intente solucionar las interferencias tomando una o más de las siguientes medidas:

- Cambiar la orientación o posición de la antena receptora.
- Aumentar la separación entre el equipo y el receptor.
- Conectar el equipo a una toma de un circuito diferente del conectado con el receptor.
- Consultar al proveedor o a un técnico de radio/TV con experiencia para recibir ayuda.

- Alimentación tanto por paquete de baterías de Makita y por adaptador de cable eléctrico incluido

## Visión general (Fig. 1)

### Controles:

1. Control de encendido y temporizador de apagado automático
2. Botón de frecuencia de banda y monoaural
3. Ajuste de alarma de radio
4. Ajuste de alarma de timbre
5. Estaciones preajustadas
6. Ajuste de sintonía por exploración y hora
7. Perilla de control de sintonía / volumen
8. Enchufe de entrada de CC
9. Terminal de entrada (AUX IN1)
10. Antena plegable de varilla suave
11. Compartimento para batería (cubre paquete de baterías principal y pilas de respaldo)
12. Mango
13. Altavoz
14. Cierre del compartimento de baterías
15. Compartimento para paquete de baterías principal
16. Compartimento para pilas de respaldo
17. Indicador rojo
18. Botón
19. Cartucho de batería
20. Terminal de entrada (AUX IN2)
21. Lado delantero
22. Derecho
23. Anverso; Cubierta de batería cerrada
24. Anverso; Cubierta de batería abierta
25. Luces indicadoras
26. Botón de comprobación

### Pantalla LCD:

- A. Alarma de radio
- B. Alarma de timbre HWS
- C. Sintonía por exploración
- D. Indicador de banda de frecuencia
- E. Indicador de batería baja
- F. Estaciones preajustadas
- G. Estado de apagado automático y silenciador temporal
- H. Frecuencia
- I. Símbolo de sonido estéreo y volumen
- J. Reloj
- K. Ajuste de hora
- L. PM para reloj

## Instalación de la batería

### Nota:

Mantener baterías de respaldo dentro del compartimento previene que la información almacenada en las memorias preajustadas se borre.

### Instalación de las pilas de respaldo

1. Jale el cierre del compartimento de batería para liberarlo. Se cuenta con un compartimento para paquete de baterías principal, así como un compartimento para pilas de respaldo. (Fig. 2 y 3)

## Características:

- Frecuencia AM/FM-estéreo PLL sintetizada
- Amplia pantalla LCD con iluminación
- Sintonía manual / preajustada/ por exploración
- Controles giratorios de sintonía y volumen
- 5 estaciones preajustadas por banda de frecuencia
- Hora y 2 temporizadores de alarma (radio y timbre HWS) con silenciador temporal de despertador
- Temporizador ajustable de apagado automático (al dormir)
- Altavoz estéreo para nivel abundante de sonido
- Diseño ultra-resistente
- Grado de protección IPX 4 contra el agua

- Retire la cubierta del compartimento para pilas de respaldo e inserte 2 pilas nuevas UM-3 (tamaño AA). Asegúrese de colocar las pilas con la polaridad correcta como se indica adentro del compartimento. Vuelva a colocar la cubierta de batería.
- Una vez colocadas las pilas de respaldo, inserte el paquete de baterías principal que alimentará el radio. Los paquetes de baterías adecuados para esta radio se listan en la tabla que se muestra a continuación.

La tabla a continuación indica el tiempo de operación en una sola carga.

Capacidad de la batería	Voltaje del cartucho de batería				A NIVEL DE SALIDA DEL ALTAVOZ = 50 mW + 50 mW (unidad: Hora) (Aprox.)
	7,2 V	10,8 V – 12V máx	14,4 V	18 V	
1,0 Ah	BL7010				7,0
1,3 Ah		BL1014			8,5
			BL1415	BL1815	9,0
1,5 Ah	BL0715				10
		BL1016			9,5
			BL1415N	BL1815N	10
2,0 Ah		BL1021B			13
				BL1820	14
				BL1820B	
3,0 Ah			BL1430		20
			BL1430B		
				BL1830	21
				BL1830B	
4,0 Ah		BL1041B			26
			BL1440		27
				BL1840	28
				BL1840B	
5,0 Ah			BL1450		34
				BL1850	35
				BL1850B	
6,0 Ah			BL1460B		41
				BL1860B	42

: Paquete de baterías

: Batería deslizable

**Nota:**

La tabla en relación con el tiempo de operación de batería anterior es para usarse como referencia. El tiempo de operación real puede que varíe en función del tipo de batería, condición de recarga o entorno de uso.

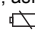
## Instalación o desinstalación del cartucho deslizable de la batería (Fig. 4 y 5)

- Para colocar el cartucho de batería, alinee la lengüeta sobre el cartucho de batería con la ranura en la carcasa y deslice en su lugar. Insértelo siempre por completo hasta que se fije en su lugar con un pequeño clic.
- Si puede ver el indicador rojo del lado superior del botón, esto indica que no ha quedado fijo por completo. Coloque completamente hasta que el indicador rojo no pueda verse. Si no, podría accidentalmente salirse del aparato y caer al suelo causando una lesión a usted o alguien a su alrededor.
- No emplee fuerza al colocar el cartucho de batería. Si el cartucho no se desliza al interior fácilmente, se debe a que no está siendo insertado correctamente.
- Para quitar el cartucho de batería, deslícelo de la herramienta mientras desliza el botón sobre la parte delantera del cartucho, o presione los botones en ambos lados del cartucho.

## Instalación o desinstalación del cartucho del paquete de baterías (Fig. 6 y 7)

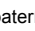
- Jale la barra de apoyo para permitir la inserción de la batería al terminal.
- Para insertar el cartucho de batería, alinee la lengüeta sobre el cartucho de batería con la ranura en la carcasa y deslice en su lugar.
- Suelte la barra de apoyo.
- Para retirar el cartucho de batería, jale la barra de apoyo y saque la batería del terminal.

Vuelva a colocar el cierre del compartimento de la batería a la posición original.

Una baja en el nivel de alimentación, la distorsión “tartamudeo” del sonido, así como la aparición del símbolo de batería baja  en la pantalla es señal de que el paquete de baterías requiere ser reemplazado.

**Nota:**

El paquete de baterías no puede recargarse mediante el adaptador del cable eléctrico de CA.

Cuando el símbolo de batería baja  aparece y una “E” continúa parpadeando, significa que es tiempo de reemplazar las pilas de respaldo.

## Consulta de la capacidad restante de la batería (Fig. 8)

**Solamente para cartuchos de batería con “B” al final del número de modelo**

Presione el botón de comprobación en el cartucho de batería para consultar la capacidad restante de la batería. Las luces indicadoras se encenderán durante unos segundos.



Luces indicadoras			Capacidad restante
Encendidas	Apagadas	Parpadeando	
			75% a 100%
			50% a 75%
			25% a 50%
			0% a 25%
			Recargue la batería.
			Puede que haya habido un mal funcionamiento de la batería.

015658

#### Nota:

- Dependiendo de las condiciones de uso y la temperatura ambiental, puede que la indicación difiera levemente de la capacidad real.

El uso de baterías no originales de Makita, o de baterías que hayan sido alteradas, anulará la garantía Makita para la herramienta y el cargador Makita.

## Instalación de la antena plegable de varilla suave (Fig. 9 y 10)

Instale la antena plegable de varilla suave como se ilustra en la figura.

#### Nota:

Hay una pinza en el compartimento de la batería diseñado para almacenar la antena que se ha quitado.

## Uso del adaptador del cable eléctrico de CA incluido (Fig. 11)

Retire el protector de hule e inserte la clavija del adaptador en la enchufe de CC sobre el lado delantero de la radio. Conecte el adaptador a un tomacorriente eléctrico estándar. Siempre que se use el adaptador de cable eléctrico, el paquete de baterías automáticamente se desconecta. El adaptador de cable eléctrico de CA se deberá desconectar del tomacorriente cuando no se esté utilizando.

#### Nota:

Cuando su radio presente alguna interferencia en la banda de frecuencia AM debido a su propio adaptador de cable eléctrico, mueva el aparato alejándolo unos 30 cm del adaptador de cable eléctrico.

## Ajuste del reloj

1. El reloj se puede ajustar ya sea con la radio encendida o apagada.

2. La pantalla mostrará “-: -” cuando al colocar las pilas de respaldo.
3. Presione prolongadamente el botón para el ajuste hora  $C_{SET}$  durante más de 2 segundos, la pantalla mostrará el símbolo de ajuste  $C_{SET}$ , así como el dígito para la hora seguido de un pitido.
4. Gire la perilla de control de sintonía / volumen para ajustar a la hora requerida.
5. Presione el botón  $C_{SET}$  para confirmar el ajuste de la hora, el dígito para el minuto parpadeará.
6. Gire la perilla de control de sintonía / volumen para ajustar a el minuto requerido.
7. Presione el botón  $C_{SET}$  de nuevo para completar el ajuste de la hora.

## Operación de la radio

Esta radio cuenta con tres métodos de sintonización: sintonía por exploración, sintonía manual y memoria de sintonía preajustada.

## Sintonía por exploración

1. Presione el botón de encendido de la radio para encenderla.
2. Seleccione la banda de frecuencia requerida al presionar el botón para la banda de frecuencia. Asegúrese de que la antena plegable de varilla suave se encuentre bien colocada para una óptima recepción de la señal FM. Para la banda AM (MW), gire la radio para obtener una óptima recepción. Trate de evitar la operación de la radio en proximidad de una pantalla de computadora u algún equipo que pudiese causar interferencia con la radio.
3. Presione y suelte el botón de exploración (presionar prolongadamente el botón de sintonía por exploración por más de 2 segundos activará el ajuste de la hora), la pantalla LCD mostrará el símbolo de sintonía por exploración parpadeando y la radio buscará y se detendrá en cuanto encuentre una estación de radio. Presione de nuevo el botón de sintonía por exploración para seleccionar la estación encontrada.

#### Nota:

Se mostrará un símbolo de estéreo en la pantalla en caso de que la estación encontrada sea en sonido estéreo.

#### Nota:

La radio continuará con la búsqueda de estaciones si no presiona el botón de sintonía por exploración nuevamente tras haber encontrado una estación.

4. Gire la perilla de control de sintonía / volumen para conseguir el nivel de sonido deseado. La pantalla LCD mostrará el cambio en el nivel de sonido.

#### Nota:

Al operar el control del volumen, puede presionar la perilla del control para la sintonía/volumen para cambiar entre control de volumen y control de sintonía.

5. Para apagar la radio, presione el botón encendido. La pantalla mostrará "OFF".

## Sintonía manual

1. Presione el botón de encendido de la radio para encenderla.
2. Seleccione la banda de frecuencia requerida al presionar el botón para la banda de frecuencia. Ajuste la antena como se describe anteriormente.
3. Un solo movimiento de la perilla de control giratorio para la sintonía / volumen cambiará la frecuencia con el siguiente incremento:  
FM: 50 ó 100 kHz  
AM (MW): 9 ó 10 kHz

### Nota:

Si el control de sintonía/volumen de la radio se encuentra en estado para el control del volumen, presione dicho control para cambiarlo al estado para el control de la sintonía.

4. Continúe girando la perilla de control de sintonía / volumen hasta que haya conseguido mostrar la frecuencia deseada en la pantalla.
5. Gire la perilla de control de sintonía / volumen para conseguir el nivel de sonido deseado.
6. Para apagar la radio, presione el botón encendido. La pantalla mostrará "OFF".

## Almacenamiento de estaciones en memorias preajustadas

Hay 5 preajustes de memoria para cada banda de frecuencia.

1. Presione el botón de encendido de la radio para encenderla.
2. Sintonice la estación deseada mediante alguno de los métodos descritos anteriormente.
3. Presione y continúe presionando el botón de preajuste hasta que la radio emita un pitido. El número de preajuste aparecerá en la pantalla y la estación se almacenará bajo el botón de preajuste seleccionado.
4. Repita este procedimiento para los preajustes restantes.
5. Las estaciones en las memorias preajustadas puede sobrescribirse al seguir el procedimiento previamente descrito.

## Acceso a las estaciones de las memorias preajustadas

1. Presione el botón de encendido de la radio para encenderla.
2. Seleccione la banda de frecuencia deseada.
3. Presione sin prolongar el botón de preajuste deseado, el número de preajuste y la frecuencia de la estación aparecerá en la pantalla.


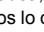

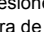
## Ajuste de la alarma de radio

Cuando se seleccione la alarma de radio, la radio se encenderá y reproducirá la estación de radio elegida en la hora establecida de la alarma. La alarma de radio continuará sonando durante una hora, salvo que sea apagada mediante el botón de encendido. Al presionar el botón de encendido mientras la alarma se encuentra sonando cancelará su funcionamiento por un periodo de 24 horas.


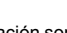
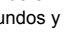

### Nota:

Cuando la radio se encuentre en estado de batería baja, ésta no podrá activarse.

### a. Ajuste de la hora de la alarma de radio:

1. La alarma de radio puede ajustarse ya sea con la radio encendida o apagada.
2. Presione y libere el botón de alarma de radio , el símbolo de radio de alarma parpadeará.
3. Mientras el símbolo de alarma de radio parpadea, presione el botón  por más de 2 segundos lo cual emitirá un pitido.
4. La pantalla mostrará la hora parpadeando, gire la perilla de control de sintonía / volumen para seleccionar la hora y luego presione el botón  de nuevo para confirmar el ajuste de la hora establecida para la alarma.
5. Siga los mismos pasos empleados para el ajuste de la hora para establecer el minuto requerido. Presione el botón  para completar el ajuste de la hora de la alarma.

### b. Ajuste de la estación para la alarma de la radio

1. Durante el ajuste de la hora para la alarma de radio, el símbolo de alarma de radio parpadea, presione el botón para la frecuencia de la banda para activar la radio para seleccionar la banda de frecuencia y estación de radio deseada para el despertador, ya sea mediante la sintonía manual o mediante las memorias preajustadas. Presione el botón  para completar el ajuste de la alarma de radio. La pantalla mostrará el símbolo .
2. Cuando la hora de la alarma de radio y la estación son establecidas, presione y mantenga presionando el botón de alarma de radio  por 2 segundos y enseguida se emitirá un pitido lo cual activa o desactiva la alarma. La pantalla mostrará el símbolo  cuando la alarma de radio esté activa.

### Nota:

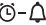

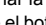
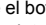

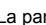
Si no se selecciona una alarma de radio nueva, se seleccionará la última estación de radio utilizada.

## Ajuste de la alarma de timbre HWS (siglas en inglés de sistema despertador humano)

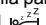
Un tono de pitido se activará al seleccionar la alarma de timbre HWS.

El pitido de la alarma se acortará cada 15 segundos durante un minuto seguido de un minuto de silencio antes de que el ciclo se repita.

La alarma de timbre HWS continuará sonando durante una hora, salvo que sea apagada mediante el botón de encendido. Al presionar el botón de encendido mientras la alarma se encuentra sonando cancelará su funcionamiento por un periodo de 24 horas.

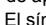
1. La alarma de timbre HWS puede ajustarse ya sea con la radio encendida o apagada.
2. Presione y libere el botón de alarma de timbre HWS , el símbolo parpadeará.
3. Mientras el símbolo parpadea, presionar prolongadamente el botón  por más de 2 segundos enseguida de un pitido mostrará el dígito para la hora parpadeando.
4. Gire la perilla de control de sintonía / volumen para seleccionar la hora deseada de la alarma, y luego presione el botón de ajuste de hora  nuevamente. El dígito para minuto parpadeará.
5. Gire la perilla de control de sintonía / volumen para seleccionar el minuto deseado de la alarma, luego presione el botón de ajuste de hora  nuevamente para completar el ajuste de la alarma de timbre HWS.
6. Presione y mantenga presionado el botón de la alarma de timbre  por más de 2 segundos y enseguida se emitirá un pitido el cual activa o desactiva la alarma de timbre HWS.  
La pantalla mostrará el símbolo  cuando la alarma de timbre esté activa.

## Función de silenciador temporal

1. Mientras la alarma esté sonando, presionar cualquiera de los botones salvo el botón de encendido activará la función de silenciador temporal. La alarma de radio o de timbre HWS se silenciará con un intervalo de 5 minutos.
2. La pantalla parpadeará tanto el símbolo de silenciador temporal  como el símbolo de la alarma. La función de silenciador temporal puede ejecutarse durante una hora mientras la alarma esté activa.

## Función de apagado automático

El temporizador de apagado automático apagará la radio automáticamente tras haber transcurrido un tiempo previamente establecido.

1. Presione y continúe presionando el botón de encendido por más de 2 segundos, seguido de la emisión de un pitido y la pantalla mostrará los intervalos de apagado automático en el orden: 60-45-30-15-120-90-60.  
Suelte el botón de encendido cuando el tiempo deseado de apagado automático se muestre en pantalla. El símbolo  se mostrará en la pantalla y la radio permanecerá encendida en la última estación seleccionada.
2. Para cancelar la función de apagado automático, presione el botón de encendido. El símbolo de la función desaparecerá y la radio se apagará.

## Iluminación de la pantalla

Presione cualquiera de los botones, o gire la perilla de control del sintonía / volumen para que la pantalla LCD se ilumine durante aproximadamente 15 segundos. Durante la exploración de estaciones y la activación de la alarma, la pantalla también se iluminará automáticamente.

## Cambiar de sonido estéreo a monoaural

Cuando la recepción de la estación FM en estéreo sea débil, puede mejorarla al presionar el botón monoaural por 2 segundos. El sonido ya no será en estéreo y el indicador estéreo desaparecerá.

## Cómo reproducir otros audios

### PRECAUCIÓN:

**Desconecte el aparato antes de conectar otros audios.**

- Hay 2 enchufes de entrada AUX. AUX 1 se ubica en el panel delantero, y AUX 2 se encuentra en el compartimento de batería.
- Conecte a una fuente estéreo o monoaural (p.ej. iPod o reproductor MP3 o de CDs) ya sea al enchufe AUX 1 o AUX 2 mediante un cable de audio.
- Presione repetidamente y suelte el botón de frecuencia de banda hasta que la pantalla muestre "AU1" o "AU2" para activar la función de fuente auxiliar de sonido AUX.
- La fuente AUX no puede usarse como fuente de sonido de alarma.

## MANTENIMIENTO

### PRECAUCIÓN:

- Nunca use gasolina, bencina, diluyentes (tiner), alcohol o alguna sustancia similar. El uso de estas sustancias podría generar decoloraciones, deformaciones o grietas.

## Especificaciones:

Requisitos eléctricos

Adaptador de cable eléctrico de CA

CC12 V 700 mA, clavija central como polo positivo.

Pila

UM-3 (tamaño AA) x 2 para respaldo

Paquete de batería: 7,2 V - 10,8 V  
Batería deslizable: 10,8 V - 18 V

Rango de frecuencia

FM 87,50 - 108 MHz  
(intervalo de 0,1 MHz)  
AM (MW) 520 - 1 710 kHz  
(intervalo de 10 kHz)

Característica de circuito

Altavoz

3 pulgadas 8 ohm

Poder de salida

7,2 V: 0,5 W x 2, 10,8 V: 1,2 W x 2,  
14,4 V: 2,2 W x 2, 18 V: 3,5 W x 2

Terminal de entrada 3,5 mm de dia.  
(AUX IN1/AUX IN2)

Sistema de antena FM: antena plegable de varilla suave  
AM: antena de barra

Dimensiones (An x Al x Prof) en mm  
280 x 302 x 163  
(11" x 11-7/8" x 6-3/8")

Peso

Cartucho de batería	(kg)	(lbs)
(sin batería)	4,0	8,9
BL0715	4,1	9,1
BL7010		
BL1014	4,2	9,3
BL1016		
BL1021B		
BL1415	4,3	9,5
BL1415N		
BL1041B	4,4	9,7
BL1815		
BL1815N		
BL1820		
BL1820B		
BL1430	4,5	10,0
BL1430B		
BL1440		
BL1450		
BL1460B		
BL1830	4,6	10,2
BL1830B		
BL1840		
BL1840B		
BL1850		
BL1850B		
BL1860B		

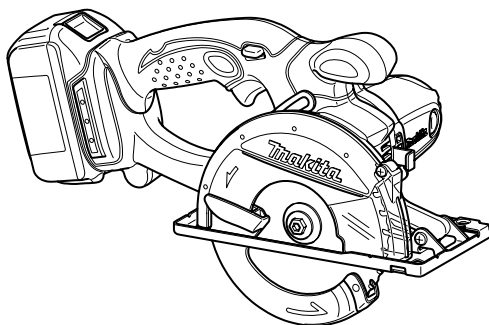
**Makita Corporation**  
3-11-8, Sumiyoshi-cho,  
Anjo, Aichi 446-8502 Japan

INSTRUCTION MANUAL  
MANUEL D'INSTRUCTION  
MANUAL DE INSTRUCCIONES



# Cordless Metal Cutter Scie Circulaire à Métaux Sans Fils Cortadora de Metal Inalámbrico

XSC01



007522

**IMPORTANT:** Read Before Using.  
**IMPORTANT:** Lire avant usage.  
**IMPORTANTE:** Leer antes de usar.

## ENGLISH (Original instructions)

# SPECIFICATIONS

Model	XSC01	
Blade diameter	136 mm (5-3/8")	
Max. Cutting depth	51 mm (2")	
No load speed (RPM)	3,600 /min	
Overall length	348 mm (13-3/4")	
Net weight	2.3 kg (5.1 lbs)	2.6 kg (5.7 lbs)
Rated voltage	D.C. 18 V	
Standard battery cartridges	BL1815N	BL1830 / BL1840

- Due to our continuing program of research and development, the specifications herein are subject to change without notice.
- Specifications and battery cartridge may differ from country to country.
- Weight, with battery cartridge, according to EPTA-Procedure 01/2003

GEA006-2

## General Power Tool Safety

### Warnings

**⚠ WARNING** Read all safety warnings and all instructions. Failure to follow the warnings and instructions may result in electric shock, fire and/or serious injury.

## Save all warnings and instructions for future reference.

The term "power tool" in the warnings refers to your mains-operated (corded) power tool or battery-operated (cordless) power tool.

### Work area safety

1. **Keep work area clean and well lit.** Cluttered or dark areas invite accidents.
2. **Do not operate power tools in explosive atmospheres, such as in the presence of flammable liquids, gases or dust.** Power tools create sparks which may ignite the dust or fumes.
3. **Keep children and bystanders away while operating a power tool.** Distractions can cause you to lose control.

### Electrical Safety

4. **Power tool plugs must match the outlet. Never modify the plug in any way. Do not use any adapter plugs with earthed (grounded) power tools.** Unmodified plugs and matching outlets will reduce risk of electric shock.
5. **Avoid body contact with earthed or grounded surfaces such as pipes, radiators, ranges and refrigerators.** There is an increased risk of electric shock if your body is earthed or grounded.
6. **Do not expose power tools to rain or wet conditions.** Water entering a power tool will increase the risk of electric shock.
7. **Do not abuse the cord. Never use the cord for carrying, pulling or unplugging the power tool.**

**Keep cord away from heat, oil, sharp edges or moving parts.** Damaged or entangled cords increase the risk of electric shock.

8. **When operating a power tool outdoors, use an extension cord suitable for outdoor use.** Use of a cord suitable for outdoor use reduces the risk of electric shock.
9. **If operating a power tool in a damp location is unavoidable, use a ground fault circuit interrupter (GFCI) protected supply.** Use of an GFCI reduces the risk of electric shock.

### Personal Safety

10. **Stay alert, watch what you are doing and use common sense when operating a power tool. Do not use a power tool while you are tired or under the influence of drugs, alcohol or medication.** A moment of inattention while operating power tools may result in serious personal injury.
11. **Use personal protective equipment. Always wear eye protection.** Protective equipment such as dust mask, non-skid safety shoes, hard hat, or hearing protection used for appropriate conditions will reduce personal injuries.
12. **Prevent unintentional starting. Ensure the switch is in the off-position before connecting to power source and/or battery pack, picking up or carrying the tool.** Carrying power tools with your finger on the switch or energising power tools that have the switch on invites accidents.
13. **Remove any adjusting key or wrench before turning the power tool on.** A wrench or a key left attached to a rotating part of the power tool may result in personal injury.
14. **Do not overreach. Keep proper footing and balance at all times.** This enables better control of the power tool in unexpected situations.
15. **Dress properly. Do not wear loose clothing or jewellery. Keep your hair, clothing, and gloves**

**away from moving parts.** Loose clothes, jewellery or long hair can be caught in moving parts.

16. **If devices are provided for the connection of dust extraction and collection facilities, ensure these are connected and properly used.** Use of dust collection can reduce dust-related hazards.

#### **Power tool use and care**

17. **Do not force the power tool. Use the correct power tool for your application.** The correct power tool will do the job better and safer at the rate for which it was designed.
18. **Do not use the power tool if the switch does not turn it on and off.** Any power tool that cannot be controlled with the switch is dangerous and must be repaired.
19. **Disconnect the plug from the power source and/or the battery pack from the power tool before making any adjustments, changing accessories, or storing power tools.** Such preventive safety measures reduce the risk of starting the power tool accidentally.
20. **Store idle power tools out of the reach of children and do not allow persons unfamiliar with the power tool or these instructions to operate the power tool.** Power tools are dangerous in the hands of untrained users.
21. **Maintain power tools. Check for misalignment or binding of moving parts, breakage of parts and any other condition that may affect the power tool's operation. If damaged, have the power tool repaired before use.** Many accidents are caused by poorly maintained power tools.
22. **Keep cutting tools sharp and clean.** Properly maintained cutting tools with sharp cutting edges are less likely to bind and are easier to control.
23. **Use the power tool, accessories and tool bits etc. in accordance with these instructions, taking into account the working conditions and the work to be performed.** Use of the power tool for operations different from those intended could result in a hazardous situation.

#### **Battery tool use and care**

24. **Recharge only with the charger specified by the manufacturer.** A charger that is suitable for one type of battery pack may create a risk of fire when used with another battery pack.
25. **Use power tools only with specifically designated battery packs.** Use of any other battery packs may create a risk of injury and fire.
26. **When battery pack is not in use, keep it away from other metal objects, like paper clips, coins, keys, nails, screws or other small metal objects, that can make a connection from one**

**terminal to another.** Shorting the battery terminals together may cause burns or a fire.

27. **Under abusive conditions, liquid may be ejected from the battery; avoid contact. If contact accidentally occurs, flush with water. If liquid contacts eyes, additionally seek medical help.** Liquid ejected from the battery may cause irritation or burns.

#### **Service**

28. **Have your power tool serviced by a qualified repair person using only identical replacement parts.** This will ensure that the safety of the power tool is maintained.
29. **Follow instruction for lubricating and changing accessories.**
30. **Keep handles dry, clean and free from oil and grease.**

GEB121-2

## **CORDLESS METAL CUTTER SAFETY WARNINGS**

### **Cutting procedures**

1. **⚠ DANGER: Keep hands away from cutting area and the blade. Keep your second hand on auxiliary handle, or motor housing.** If both hands are holding the tool, they cannot be cut by blade.
2. **Do not reach underneath the workpiece.** The guard cannot protect you from the blade below the workpiece.
3. **Adjust the cutting depth to the thickness of the workpiece.** Less than a full tooth of the blade teeth should be visible below the workpiece.
4. **Never hold piece being cut in your hands or across your leg. Secure the workpiece to a stable platform.** It is important to support the work properly to minimize body exposure, blade binding, or loss of control.
5. **Hold the power tool by insulated gripping surfaces only, when performing an operation where the cutting tool may contact hidden wiring.** Contact with a "live" wire will also make exposed metal parts of the power tool "live" and could give the operator an electric shock.
6. **When ripping, always use a rip fence or straight edge guide.** This improves the accuracy of cut and reduces the chance of blade binding.
7. **Always use blades with correct size and shape (diamond versus round) of arbour holes.** Blades that do not match the mounting hardware of the tool will run eccentrically, causing loss of control.
8. **Never use damaged or incorrect blade washers or bolt.** The blade washers and bolt were specially designed for your tool, for optimum performance and safety of operation.

### Kickback causes and related warnings

- Kickback is a sudden reaction to a pinched, bound or misaligned blade, causing an uncontrolled tool to lift up and out of the workpiece toward the operator.
- When the blade is pinched or bound tightly by the kerf closing down, the blade stalls and the motor reaction drives the unit rapidly back toward the operator.
- If the blade becomes twisted or misaligned in the cut, the teeth at the back edge of the blade can dig into the top surface of the workpiece causing the blade to climb out of the kerf and jump back toward the operator.

Kickback is the result of tool misuse and/or incorrect operating procedures or conditions and can be avoided by taking proper precautions as given below.

9. **Maintain a firm grip with both hands on the tool and position your arms to resist kickback forces. Position your body to either side of the blade, but not in line with the blade.** Kickback could cause the tool to jump backwards, but kickback forces can be controlled by the operator, if proper precautions are taken.
10. **When blade is binding, or when interrupting a cut for any reason, release the trigger and hold the tool motionless in the material until the blade comes to a complete stop. Never attempt to remove the tool from the work or pull the tool backward while the blade is in motion or KICKBACK may occur.** Investigate and take corrective actions to eliminate the cause of blade binding.
11. **When restarting a tool in the workpiece, center the blade in the kerf and check that blade teeth are not engaged into the material.** If blade is binding, it may walk up or kickback from the workpiece as the tool is restarted.
12. **Support large panels to minimise the risk of blade pinching and kickback.** Large panels tend to sag under their own weight. Supports must be placed under the panel on both sides, near the line of cut and near the edge of the panel.
13. **Do not use dull or damaged blades.** Unsharpened or improperly set blades produce narrow kerf causing excessive friction, blade binding and kickback.
14. **Blade depth and bevel adjusting locking levers must be tight and secure before making cut.** If blade adjustment shifts while cutting, it may cause binding and kickback.
15. **Use extra caution when making a "plunge cut" into existing walls or other blind areas.** The protruding blade may cut objects that can cause kickback. For plunge cuts, retract lower guard using retracting handle.

### Lower guard function

16. **Intended use**  
**This tool is intended to cut mild steel only.**
17. **Check lower guard for proper closing before each use. Do not operate the tool if lower guard does not move freely and close instantly. Never clamp or tie the lower guard into the open position.** If tool is accidentally dropped, lower guard may be bent. Raise the lower guard with the retracting lever and make sure it moves freely and does not touch the blade or any other part, in all angles and depths of cut.
18. **Check the operation and condition of the lower guard spring. If the guard and the spring are not operating properly, they must be serviced before use.** Lower guard may operate sluggishly due to damaged parts, gummy deposits, or a buildup of debris.
19. **Lower guard should be retracted manually only for special cuts such as "plunge cuts" and "compound cuts". Raise lower guard by retracting handle and as soon as blade enters the material, the lower guard must be released.** For all other sawing, the lower guard should operate automatically.
20. **Always observe that the lower guard is covering the blade before placing tool down on bench or floor.** An unprotected, coasting blade will cause the tool to walk backwards, cutting whatever is in its path. Be aware of the time it takes for the blade to stop after switch is released.
21. **To check lower guard, open lower guard by hand, then release and watch guard closure. Also check to see that retracting handle does not touch tool housing.** Leaving blade exposed is VERY DANGEROUS and can lead to serious personal injury.

### Additional safety warnings

22. **Do not stop the blades by lateral pressure on the blade.**
23. **DANGER:**  
**Do not attempt to remove cut material when blade is moving.**  
**CAUTION: Blades coast after turn off.**
24. **Place the wider portion of the tool base on that part of the workpiece which is solidly supported, not on the section that will fall off when the cut is made.**
25. **Never attempt to make a cut with the tool held upside down in a vise. This is extremely dangerous and can lead to serious accidents.**
26. **Wear safety goggles and hearing protection during operation.**
27. **Do not use any abrasive wheels.**



28. **Only use the blade with the diameter that is marked on the tool or specified in the manual.** Use of an incorrectly sized blade may affect the proper guarding of the blade or guard operation which could result in serious personal injury.

## SAVE THESE INSTRUCTIONS.

### **⚠WARNING:**

**DO NOT let comfort or familiarity with product (gained from repeated use) replace strict adherence to safety rules for the subject product. MISUSE or failure to follow the safety rules stated in this instruction manual may cause serious personal injury.**

USD301-1

## Symbols

The followings show the symbols used for tool.

- |                |   |
|----------------|---|
| v              | · volts                                   |
| — — —          | · direct current                          |
| n <sub>o</sub> | · no load speed                           |
| .../min        | · revolutions or reciprocation per minute |

ENC007-8

## IMPORTANT SAFETY INSTRUCTIONS FOR BATTERY CARTRIDGE

1. **Before using battery cartridge, read all instructions and cautionary markings on (1) battery charger, (2) battery, and (3) product using battery.**
2. **Do not disassemble battery cartridge.**
3. **If operating time has become excessively shorter, stop operating immediately. It may result in a risk of overheating, possible burns and even an explosion.**
4. **If electrolyte gets into your eyes, rinse them out with clear water and seek medical attention right away. It may result in loss of your eyesight.**
5. **Do not short the battery cartridge:**
  - (1) **Do not touch the terminals with any conductive material.**
  - (2) **Avoid storing battery cartridge in a container with other metal objects such as nails, coins, etc.**
  - (3) **Do not expose battery cartridge to water or rain.**

**A battery short can cause a large current flow, overheating, possible burns and even a breakdown.**

6. **Do not store the tool and battery cartridge in locations where the temperature may reach or exceed 50 ° C (122 ° F).**
7. **Do not incinerate the battery cartridge even if it is severely damaged or is completely worn out. The battery cartridge can explode in a fire.**
8. **Be careful not to drop or strike battery.**
9. **Do not use a damaged battery.**
10. **Follow your local regulations relating to disposal of battery.**

## SAVE THESE INSTRUCTIONS.

### Tips for maintaining maximum battery life

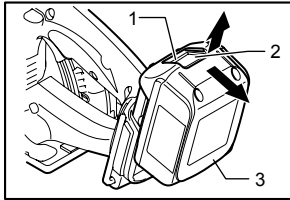
1. **Charge the battery cartridge before completely discharged.**  
**Always stop tool operation and charge the battery cartridge when you notice less tool power.**
2. **Never recharge a fully charged battery cartridge.**  
**Overcharging shortens the battery service life.**
3. **Charge the battery cartridge with room temperature at 10 ° C - 40 ° C (50 ° F - 104 ° F). Let a hot battery cartridge cool down before charging it.**
4. **Charge the battery cartridge once in every six months if you do not use it for a long period of time.**

## FUNCTIONAL DESCRIPTION

### ⚠CAUTION:

- Always be sure that the tool is switched off and the battery cartridge is removed before adjusting or checking function on the tool.

### Installing or removing battery cartridge



1. Red indicator
2. Button
3. Battery cartridge

014166

### ⚠CAUTION:

- Always switch off the tool before installing or removing of the battery cartridge.
- Hold the tool and the battery cartridge firmly when installing or removing battery cartridge.** Failure to hold the tool and the battery cartridge firmly may cause them to slip off your hands and result in damage to the tool and battery cartridge and a personal injury.

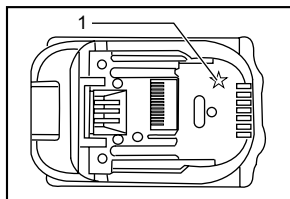
To remove the battery cartridge, slide it from the tool while sliding the button on the front of the cartridge.

To install the battery cartridge, align the tongue on the battery cartridge with the groove in the housing and slip it into place. Insert it all the way until it locks in place with a little click. If you can see the red indicator on the upper side of the button, it is not locked completely.

### ⚠CAUTION:

- Always install the battery cartridge fully until the red indicator cannot be seen. If not, it may accidentally fall out of the tool, causing injury to you or someone around you.
- Do not install the battery cartridge forcibly. If the cartridge does not slide in easily, it is not being inserted correctly.

### Battery protection system (Lithium-ion battery with star marking)



1. Star marking

012128

Lithium-ion batteries with a star marking are equipped with a protection system. This system automatically cuts off power to the tool to extend battery life.

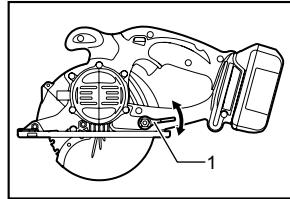
The tool will automatically stop during operation if the tool and/or battery are placed under one of the following conditions:

- Overloaded:**

The tool is operated in a manner that causes it to draw an abnormally high current. In this situation, release the switch trigger on the tool and stop the application that caused the tool to become overloaded. Then pull the switch trigger again to restart. If the tool does not start, the battery is overheated. In this situation, let the battery cool before pulling the switch trigger again.
- Low battery voltage:**

The remaining battery capacity is too low and the tool will not operate. In this situation, remove and recharge the battery.

### Adjusting depth of cut



1. Lever

007524

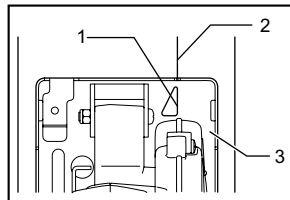
### ⚠CAUTION:

- After adjusting the depth of cut, always tighten the lever securely.

Loosen the lever on the side of the rear handle and move the base up or down. At the desired depth of cut, secure the base by tightening the lever.

For cleaner, safer cuts, set cut depth so that no more than one blade tooth projects below workpiece. Using proper cut depth helps to reduce potential for dangerous KICKBACKS which can cause personal injury.

### Sighting

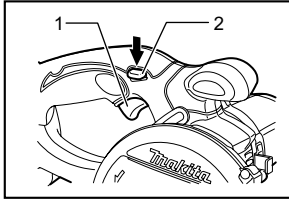


1. A position
2. Cutting line
3. Base

007525

When cutting, align the A position on the front of the base with your cutting line on the workpiece.

## Switch action



1. Switch trigger
2. Lock-off lever

007526

### ⚠CAUTION:

- Before inserting the battery cartridge into the tool, always check to see that the switch trigger actuates properly and returns to the "OFF" position when released.
- Do not pull the switch trigger hard without pressing the lock-off lever. This can cause switch breakage.

To prevent the switch trigger from being accidentally pulled, a lock-off lever is provided. To start the tool, press the lock-off lever and pull the switch trigger. Release the switch trigger to stop.

### ⚠WARNING:

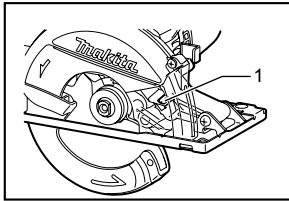
- For your safety, this tool is equipped with lock-off lever which prevents the tool from unintended starting. NEVER use the tool if it runs when you simply pull the switch trigger without pressing the lock-off lever. Return tool a MAKITA service center for proper repairs BEFORE further usage.
- NEVER tape down or defeat purpose and function of lock-off lever.

## Electric brake

This tool is equipped with an electric blade brake. If the tool consistently fails to quickly stop blade after switch trigger release, have tool serviced at a Makita service center.

The blade brake system is not a substitute for lower guard. NEVER USE TOOL WITHOUT A FUNCTIONING LOWER GUARD. SERIOUS PERSONAL INJURY CAN RESULT.

## Lighting the lamp



1. Lamp

007527

### ⚠CAUTION:

- Do not look in the light or see the source of light directly.

Only to turn on the light, pull the switch trigger without pressing the lock-off lever. To turn on the light and run the tool, press the lock-off lever and pull the switch trigger with the lock-off lever being pressed.

### NOTE:

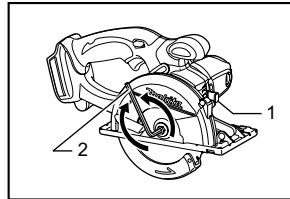
- Use a cotton stick to wipe the dirt off the lens of lamp. Be careful not to scratch the lens of lamp, or it may lower the illumination.
- Do not use gasoline, thinner or the like to clean the lens of lamp. Using such substances will damage the lens.

## ASSEMBLY

### ⚠CAUTION:

- Always be sure that the tool is switched off and the battery cartridge is removed before carrying out any work on the tool.

## Removing or installing blade



1. Shaft lock
2. Hex wrench

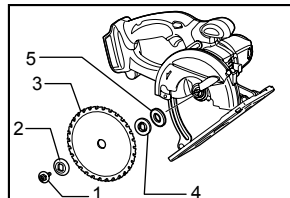
007528

### ⚠CAUTION:

- Be sure the blade is installed with teeth pointing up at the front of the tool.
- Use only the Makita wrench to install or remove the blade.

To remove the blade, press the shaft lock so that the blade cannot revolve and use the wrench to loosen the hex bolt counterclockwise. Then remove the hex bolt, outer flange and blade.

To install the blade, follow the removal procedure in reverse. BE SURE TO TIGHTEN THE HEX BOLT CLOCKWISE SECURELY.

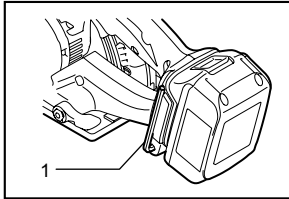


1. Hex bolt
2. Outer flange
3. Saw blade
4. Inner flange
5. Cup washer

007529

When changing blade, make sure to also clean the upper and lower blade guards of accumulated sawdust as discussed in the Maintenance section. Such efforts do not replace the need to check lower guard operation before each use.

### Hex wrench storage



1. Hex wrench

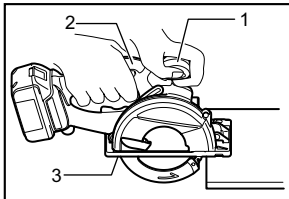
007530

When not in use, store the hex wrench as shown in the figure to keep it from being lost.

## OPERATION

### ⚠CAUTION:

- Always insert the battery cartridge all the way until it locks in place. If you can see the red part on the upper side of the button, it is not locked completely. Insert it fully until the red part cannot be seen. If not, it may accidentally fall out of the tool, causing injury to you or someone around you.
- Be sure to move the tool forward in a straight line gently. Forcing or twisting the tool will result in overheating the motor and dangerous kickback, possibly causing severe injury.
- If the tool is operated continuously until the battery cartridge has discharged, allow the tool to rest for 15 minutes before proceeding with a fresh battery.
- Never twist or force the tool in the cut. This may cause motor overload and/or a dangerous kickback, resulting in serious injury to the operator.
- Always wear eye protection or goggles before operation.



1. Front grip  
2. Rear handle  
3. Base

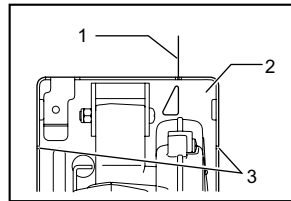
007531

Hold the tool firmly. The tool is provided with both a front grip and rear handle. Use both to best grasp the tool. If both hands are holding the tool, they cannot be cut by the blade. Set the base on the workpiece to be cut without the blade making any contact. Then turn the tool on and wait until the blade attains full speed. Now simply

move the tool forward over the workpiece surface, keeping it flat and advancing smoothly until the cutting is completed.

To get clean cuts, keep your cutting line straight and your speed of advance uniform. If the cut fails to properly follow your intended cut line, do not attempt to turn or force the tool back to the cut line. Doing so may bind the blade and lead to dangerous kickback and possible serious injury. Release switch, wait for blade to stop and then withdraw tool. Realign tool on new cut line, and start cut again. Attempt to avoid positioning which exposes operator to chips and particles being ejected from the tool. Use eye protection to help avoid injury.

The sight grooves in the base makes it easy to check the distance between the front edge of the blade and the workpiece whenever the blade is set to the maximum depth of cut.



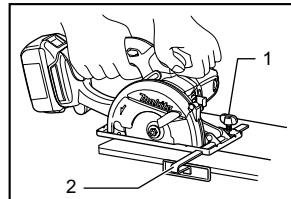
1. Cutting line  
2. Base  
3. Sight grooves

007534

### ⚠CAUTION:

- Do not use a deformed or cracked blade. Replace it with a new one.
- Do not stack materials when cutting them.
- Do not cut hardened steel, stainless steel, wood, plastics, concrete, tile, etc. **Cut only mild steel and aluminum.**
- Do not touch the blade, workpiece or cutting chips with your bare hand immediately after cutting, they may be extremely hot and could burn your skin.
- **Always use the blades appropriate for your job.** The use of inappropriate blades may cause a poor cutting performance and/or present a risk of personal injury.

### Rip fence (guide rule) (Accessory)



1. Clamping screw  
2. Rip fence (Guide rule)

007532

The handy rip fence allows you to do extra-accurate straight cuts. Simply slide the rip fence up snugly against the side of the workpiece and secure it in position with the screw on the front of the base. It also makes repeated cuts of uniform width possible.

## MAINTENANCE

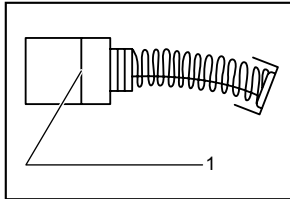
### ⚠CAUTION:

- Always be sure that the tool is switched off and the battery cartridge is removed before attempting to perform inspection or maintenance.
- **Clean out the upper and lower guards to ensure there is no accumulated sawdust which may impede the operation of the lower guarding system.** A dirty guarding system may limit the proper operation which could result in serious personal injury. The most effective way to accomplish this cleaning is with compressed air. **If the dust is being blown out of the guards be sure the proper eye and breathing protection is used.**
- Never use gasoline, benzine, thinner, alcohol or the like. Discoloration, deformation or cracks may result.

### Inspecting blade

- Check the blade carefully for cracks or damage before and after each use. Replace a cracked or damaged blade immediately.
- Continuing to use a dull blade may cause a dangerous kickback and/or motor overload. Replace with a new blade as soon as it no longer cuts effectively.
- **Blades for metal cutter cannot be re-sharpened.**

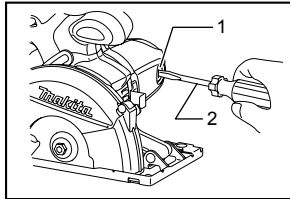
### Replacing carbon brushes



001145

Remove and check the carbon brushes regularly. Replace when they wear down to the limit mark. Keep the carbon brushes clean and free to slip in the holders. Both carbon brushes should be replaced at the same time. Use only identical carbon brushes.

1. Limit mark



007533

1. Brush holder cap  
2. Screwdriver

Use a screwdriver to remove the brush holder caps. Take out the worn carbon brushes, insert the new ones and secure the brush holder caps.

After replacing brushes, insert the battery cartridge into the tool and break in brushes by running tool with no load for about 1 minute. Then check the tool while running and electric brake operation when releasing the switch trigger. If electric brake is not working well, ask your local Makita service center for repair.

To maintain product SAFETY and RELIABILITY, repairs, any other maintenance or adjustment should be performed by Makita Authorized or Factory Service Centers, always using Makita replacement parts.

## OPTIONAL ACCESSORIES

### ⚠CAUTION:

- These accessories or attachments are recommended for use with your Makita tool specified in this manual. The use of any other accessories or attachments might present a risk of injury to persons. Only use accessory or attachment for its stated purpose.

If you need any assistance for more details regarding these accessories, ask your local Makita Service Center.

- Carbide-tipped blades
- Rip fence (Guide rule)
- Thumb screw M5 x 20
- Compression spring 6
- Hex wrench 5
- Safety goggle
- Makita genuine battery and charger

### NOTE:

- Some items in the list may be included in the tool package as standard accessories. They may differ from country to country.

---

## **MAKITA LIMITED ONE YEAR WARRANTY**

### **Warranty Policy**

Every Makita tool is thoroughly inspected and tested before leaving the factory. It is warranted to be free of defects from workmanship and materials for the period of ONE YEAR from the date of original purchase. Should any trouble develop during this one year period, return the COMPLETE tool, freight prepaid, to one of Makita's Factory or Authorized Service Centers. If inspection shows the trouble is caused by defective workmanship or material, Makita will repair (or at our option, replace) without charge.

This Warranty does not apply where:

- repairs have been made or attempted by others:
- repairs are required because of normal wear and tear:
- the tool has been abused, misused or improperly maintained:
- alterations have been made to the tool.

IN NO EVENT SHALL MAKITA BE LIABLE FOR ANY INDIRECT, INCIDENTAL OR CONSEQUENTIAL DAMAGES FROM THE SALE OR USE OF THE PRODUCT. THIS DISCLAIMER APPLIES BOTH DURING AND AFTER THE TERM OF THIS WARRANTY.

MAKITA DISCLAIMS LIABILITY FOR ANY IMPLIED WARRANTIES, INCLUDING IMPLIED WARRANTIES OF "MERCHANTABILITY" AND "FITNESS FOR A SPECIFIC PURPOSE," AFTER THE ONE YEAR TERM OF THIS WARRANTY.

This Warranty gives you specific legal rights, and you may also have other rights which vary from state to state. Some states do not allow the exclusion or limitation of incidental or consequential damages, so the above limitation or exclusion may not apply to you. Some states do not allow limitation on how long an implied warranty lasts, so the above limitation may not apply to you.

EN0006-1

## SPÉCIFICATIONS

Modèle	XSC01	
Diamètre de la lame	136 mm (5-3/8")	
Profondeur de coupe max.	51 mm (2")	
Vitesse à vide (T/MIN)	3 600 /min	
Longueur totale	348 mm (13-3/4")	
Poids net	2,3 kg (5,1 lbs)	2,6 kg (5,7 lbs)
Tension nominale	C.C. 18 V	
Batteries standard	BL1815N	BL1830 / BL1840

• Étant donné l'évolution constante de notre programme de recherche et de développement, les spécifications contenues dans ce manuel sont sujettes à modification sans préavis.

• Les caractéristiques techniques et la batterie peuvent varier suivant les pays.

• Poids, batterie comprise, conforme à la procédure EPTA de 01/2003

GEA006-2

## Consignes de sécurité générales pour outils électriques

**⚠ MISE EN GARDE** Veuillez lire toutes les mises en garde de sécurité et toutes les instructions. L'ignorance des mises en garde et des instructions comporte un risque de choc électrique, d'incendie et/ou de blessure grave.

## Conservez toutes les mises en garde et instructions pour référence future.

Le terme « outil électrique » qui figure dans les avertissements fait référence à un outil électrique branché sur une prise de courant (par un cordon d'alimentation) ou alimenté par batterie (sans fil).

### Sécurité de la zone de travail

1. **Maintenez la zone de travail propre et bien éclairée.** Les zones de travail encombrées ou sombres ouvrent grande la porte aux accidents.
2. **N'utilisez pas les outils électriques dans les atmosphères explosives, par exemple en présence de liquides, gaz ou poussières inflammables.** Les outils électriques produisent des étincelles au contact desquelles la poussière ou les vapeurs peuvent s'enflammer.
3. **Assurez-vous qu'aucun enfant ou curieux ne s'approche pendant que vous utilisez un outil électrique.** Vous risquez de perdre la maîtrise de l'outil si votre attention est détournée.

### Sécurité en matière d'électricité

4. **Les fiches d'outil électrique sont conçues pour s'adapter parfaitement aux prises de courant. Ne modifiez jamais la fiche de quelque façon que ce soit. N'utilisez aucun adaptateur de fiche sur les outils électriques avec mise à la terre.** En ne modifiant pas les

fiches et en les insérant dans des prises de courant pour lesquelles elles ont été conçues vous réduirez les risques de choc électrique.

5. **Évitez tout contact corporel avec les surfaces mises à la terre, telles que les tuyaux, radiateurs, cuisinières et réfrigérateurs.** Le risque de choc électrique est plus élevé si votre corps se trouve mis à la terre.
6. **N'exposez pas les outils électriques à la pluie ou à l'eau.** La présence d'eau dans un outil électrique augmente le risque de choc électrique.
7. **Ne maltraitez pas le cordon. N'utilisez jamais le cordon pour transporter, tirer ou débrancher l'outil électrique. Maintenez le cordon à l'écart des sources de chaleur, de l'huile, des objets à bords tranchants et des pièces en mouvement.** Le risque de choc électrique est plus élevé lorsque les cordons sont endommagés ou enchevêtrés.
8. **Lorsque vous utilisez un outil électrique à l'extérieur, utilisez un cordon prolongateur prévu à cette fin.** Les risques de choc électrique sont moindres lorsqu'un cordon conçu pour l'extérieur est utilisé.
9. **Si vous devez utiliser un outil électrique dans un endroit humide, utilisez une source d'alimentation protégée par un disjoncteur de fuite à la terre.** L'utilisation d'un disjoncteur de fuite à la terre réduit le risque de choc électrique.

### Sécurité personnelle

10. **Restez alerte, attentif à vos mouvements et faites preuve de bon sens lorsque vous utilisez un outil électrique.** Évitez d'utiliser un outil électrique si vous êtes fatigué ou si vous avez pris une drogue, de l'alcool ou un médicament. Un moment d'inattention pendant l'utilisation d'un outil électrique peut entraîner une grave blessure.
11. **Portez des dispositifs de protection personnelle. Portez toujours un protecteur pour la vue.** Les risques de blessure seront

moins élevés si vous utilisez des dispositifs de protection tels qu'un masque antipoussières, des chaussures à semelle antidérapante, une coiffure résistante ou une protection d'oreilles.

12. **Évitez les démarrages accidentels. Assurez-vous que l'interrupteur soit en position d'arrêt avant de brancher l'outil à la prise électrique et/ou au bloc-piles, avant de prendre ou de transporter l'outil.** Vous ouvrez la porte aux accidents si vous transportez les outils électriques avec le doigt sur l'interrupteur ou si vous les branchez alors que l'interrupteur est en position de marche.
13. **Retirez toute clé de réglage ou de serrage avant de mettre l'outil sous tension.** Toute clé laissée en place sur une pièce rotative de l'outil électrique peut entraîner une blessure.
14. **Maintenez une bonne position. Assurez-vous d'une bonne prise au sol et d'une bonne position d'équilibre en tout temps.** Cela vous permettra d'avoir une meilleure maîtrise de l'outil dans les situations imprévues.
15. **Portez des vêtements adéquats. Ne portez ni vêtements amples ni bijoux. Vous devez maintenir cheveux, vêtements et gants à l'écart des pièces en mouvement.** Les pièces en mouvement peuvent heurter les vêtements amples, les bijoux et les cheveux longs.
16. **Si des accessoires sont fournis pour raccorder un appareil d'aspiration et de collecte de la poussière, assurez-vous qu'ils sont correctement raccordés et qu'ils sont utilisés de manière adéquate.** L'utilisation d'un appareil d'aspiration permet de réduire les risques liés à la présence de poussière dans l'air.

#### Utilisation et entretien des outils électriques

17. **Ne forcez pas l'outil électrique. Utilisez l'outil électrique adéquat suivant le type de travail à effectuer.** Si vous utilisez l'outil électrique adéquat et respectez le régime pour lequel il a été conçu, il effectuera un travail de meilleure qualité et de façon plus sécuritaire.
18. **N'utilisez pas l'outil électrique s'il n'est pas possible de mettre sa gâchette en position de marche et d'arrêt.** Un outil électrique dont l'interrupteur est défectueux représente un danger et doit être réparé.
19. **Débranchez la fiche de la source d'alimentation et/ou retirez le bloc-piles de l'outil électrique avant d'effectuer tout réglage, de changer un accessoire ou de ranger l'outil électrique.** De telles mesures préventives réduisent les risques de démarrage accidentel de l'outil électrique.
20. **Après l'utilisation d'un outil électrique, rangez-le hors de portée des enfants et ne laissez aucune personne l'utiliser si elle n'est pas familiarisée avec l'outil électrique ou les**

**présentes instructions d'utilisation.** Les outils électriques représentent un danger entre les mains de personnes qui n'en connaissent pas le mode d'utilisation.

21. **Veillez à l'entretien des outils électriques. Assurez-vous que les pièces mobiles ne sont pas désalignées ou coincées, qu'aucune pièce n'est cassée et que l'outil électrique n'a subi aucun dommage affectant son bon fonctionnement. Le cas échéant, faites réparer l'outil électrique avant de l'utiliser.** De nombreux accidents sont causés par des outils électriques mal entretenus.
22. **Maintenez les outils tranchants bien aiguisés et propres.** Un outil tranchant dont l'entretien est effectué correctement et dont les bords sont bien aiguisés risquera moins de se coincer et sera plus facile à maîtriser.
23. **Utilisez l'outil électrique, ses accessoires, ses embouts, etc., en respectant les présentes instructions, en tenant compte des conditions de travail et du type de travail à effectuer.** L'utilisation d'un outil électrique à des fins autres que celles prévues peut entraîner une situation dangereuse.

#### Utilisation et entretien des outils alimentés par batterie

24. **Pour recharger, utilisez uniquement le chargeur spécifié par le fabricant.** L'utilisation d'un chargeur conçu pour un type donné de bloc-piles comporte un risque d'incendie lorsqu'il est utilisé avec un autre type de bloc-piles.
25. **N'utilisez un outil électrique qu'avec le bloc-piles conçu spécifiquement pour cet outil.** Il y a risque de blessure ou d'incendie si un autre bloc-piles est utilisé.
26. **Lorsque vous n'utilisez pas le bloc-piles, rangez-le à l'écart des objets métalliques tels que trombones, pièces de monnaie, clés, clous, vis ou autres petits objets métalliques qui risquent d'établir une connexion entre les bornes.** La mise en court-circuit des bornes de batterie peut causer des brûlures ou un incendie.
27. **Dans des conditions d'utilisation inadéquates de la batterie, il peut y avoir fuite d'électrolyte; évitez tout contact avec ce liquide. En cas de contact accidentel, rincez avec beaucoup d'eau. Si le liquide pénètre dans vos yeux, il faut aussi consulter un médecin.** L'électrolyte qui s'échappe de la batterie peut causer des irritations ou des brûlures.

#### Réparation

28. **Faites réparer votre outil électrique par un réparateur qualifié qui utilise des pièces de rechange identiques aux pièces d'origine.** Le maintien de la sûreté de l'outil électrique sera ainsi assuré.



29. **Suivez les instructions de lubrification et de changement des accessoires.**
30. **Maintenez les poignées de l'outil sèches, propres et exemptes d'huile ou de graisse.**

GEB121-2

## CONSIGNES DE SÉCURITÉ POUR LA SCIE À MÉTAUX SANS FIL

### Procédures de coupe

1. **⚠ DANGER ! N'approchez pas les mains de la zone de coupe ou de la lame. Gardez l'autre main sur la poignée auxiliaire ou sur le carter du moteur.** En tenant l'outil avec vos deux mains, vous mettez celles-ci à l'abri de la lame.
2. **N'étendez pas la main sous la pièce.** Le protecteur ne peut pas vous protéger contre la lame sous la pièce.
3. **Ajustez la profondeur de coupe en fonction de l'épaisseur de la pièce.** La partie de la lame visible sous la pièce doit être inférieure à une dent de lame complète.
4. **Ne maintenez jamais le matériau à scier dans vos mains ou sur votre jambe. Immobilisez la pièce sur une surface stable.** Il est important de soutenir adéquatement la pièce afin de minimiser l'exposition du corps, les coincements de lame ou les pertes de maîtrise.
5. **Tenez uniquement l'outil électrique par ses surfaces de prise isolées pendant toute opération où l'outil de coupe pourrait venir en contact avec un câblage dissimulé.** En cas de contact avec un conducteur sous tension, les pièces métalliques à découvert de l'outil deviendraient également sous tension et risqueraient de transmettre une décharge à l'utilisateur.
6. **Lors du sciage en long, utilisez toujours un garde parallèle ou un guide de coupe rectiligne.** Cela améliore la précision de la coupe et réduit le risque de coincement de la lame.
7. **Utilisez toujours des lames dont l'alésage central est de taille et de forme (diamantée ou ronde) adéquates.** Toute lame non adaptée au dispositif de montage de l'outil tournera de manière excentrique et causera une perte de maîtrise de l'outil.
8. **N'utilisez jamais des boulons ou des rondelles de lame endommagés ou incorrects.** Les boulons et rondelles de fixation de la lame sont conçus spécialement pour votre outil et jouent un rôle essentiel dans le bon fonctionnement et la sécurité de l'outil.

### Causes du recul et avertissements connexes

- Le recul est une réaction soudaine lorsque la lame, coincée, pincée ou mal alignée, devient incontrôlable, se soulève hors de la pièce et se dirige vers l'utilisateur.

- Lorsque la lame se trouve coincée ou pincée fermement par le trait de scie qui se referme sur elle, elle se bloque et une réaction du moteur entraîne alors l'outil rapidement vers l'utilisateur.
- Si la lame se tord ou se désaligne par rapport à la ligne de coupe, les dents arrière risquent de s'enfoncer dans la surface de la pièce et la lame de quitter le trait de scie en reculant brusquement vers l'utilisateur.

Le recul est le résultat d'une utilisation inadéquate de l'outil et/ou de procédures ou conditions d'utilisation incorrectes ; on peut l'éviter en prenant des précautions adéquates, indiquées ci-dessous.

9. **Gardez une prise ferme à deux mains sur l'outil, et placez vos bras de façon à résister aux forces de recul. Placez votre corps d'un côté ou de l'autre de la lame, jamais en ligne avec celle-ci.** Un recul peut faire bondir l'outil vers l'arrière, mais l'utilisateur peut maîtriser les forces de recul s'il prend des précautions adéquates.
10. **Lorsque la lame se pince ou lorsque vous interrompez la coupe pour une raison quelconque, libérez la gâchette et gardez l'outil immobile dans le matériau jusqu'à ce que la lame s'arrête parfaitement. Ne tentez jamais de retirer l'outil de la pièce à travailler ou de le tirer vers l'arrière alors que la lame tourne encore, sinon il y a risque de recul.** Identifiez la cause du pincement de la lame et prenez les mesures correctives pour éliminer ladite cause.
11. **Avant de faire redémarrer l'outil sur la pièce, centrez la lame dans le trait de scie et assurez-vous que les lames de la scie ne pénètrent pas dans le matériau.** En se coincant la lame risquerait de remonter sur la pièce ou de provoquer un recul au moment du redémarrage.
12. **Les grands panneaux doivent être soutenus pour minimiser les risques de recul causé par le coincement de la lame.** Les grands panneaux ont tendance à s'affaisser sous leur propre poids. Des supports doivent être installés sous le panneau, des deux côtés, près de la ligne de coupe et près du bord du panneau.
13. **N'utilisez jamais les lames émoussées ou endommagées.** Les lames mal affûtées ou mal avoyées produisent un trait de scie étroit qui donne lieu à un frottement excessif, au coincement de la lame et à un recul.
14. **Avant d'effectuer la coupe, les leviers de verrouillage de la profondeur de coupe et de la coupe en biseau doivent être fermement serrés.** Il y a risque de pincement et de recul si les réglages de la lame se modifient pendant coupe.
15. **Faites preuve d'une grande prudence lorsque vous effectuez une « coupe en plongée » dans un mur ou toute autre surface « aveugle ». La**

lame peut accrocher des objets cachés en dépassant de l'autre côté de la surface, entraînant un recul. Pour les coupes en plongée, rétractez le protecteur inférieur à l'aide de la poignée de rappel.

#### Fonction du protecteur inférieur

##### 16. Utilisation prévue

**Cet outil est destiné à la coupe d'acier doux uniquement.**

17. **Avant chaque utilisation, assurez-vous que le protecteur inférieur se referme correctement. N'utilisez pas l'outil si le protecteur inférieur ne bouge pas librement et ne se ferme pas instantanément. Ne bloquez jamais le protecteur inférieur en position ouverte.** Si l'outil tombe par terre accidentellement, le protecteur inférieur peut être gauchi. Soulevez le protecteur inférieur à l'aide du levier de rappel et assurez-vous qu'il se déplace librement et n'entre pas en contact avec la lame ni toute autre pièce, quels que soient l'angle et la profondeur de coupe.

18. **Vérifiez l'état et le bon fonctionnement du ressort du protecteur inférieur. Si le protecteur ou son ressort ne fonctionnent pas correctement, il faut les réparer avant d'utiliser l'outil.** Le protecteur inférieur peut être lent à se refermer à cause de pièces endommagées, de dépôts collants ou d'une accumulation de débris.

19. **Le protecteur inférieur ne doit être escamoté manuellement que pour des coupes particulières comme les « coupes en plongée » et les « coupes composées ».** Soulevez le protecteur inférieur à l'aide de la poignée de rappel et libérez le protecteur inférieur dès que la lame pénètre dans le matériau. Pour toute autre opération de sciage, le protecteur inférieur devrait fonctionner automatiquement.

20. **Avant de déposer la scie sur l'établi ou le plancher, assurez-vous que le protecteur inférieur recouvre la lame.** Sans protection et en roue libre, la scie reculera en coupant tout sur son passage. N'oubliez pas qu'il faut un certain temps avant que la lame ne cesse de tourner une fois l'interrupteur relâché.

21. **Pour vérifier le protecteur inférieur, ouvrez-le à la main, puis relâchez-le et observez sa fermeture. Vérifiez également que la poignée de rappel ne touche pas le boîtier de l'outil.** Laisser la lame à découvert est TRÈS DANGEREUX et comporte un risque de blessure grave.

#### Consignes de sécurité supplémentaires

22. **N'arrêtez pas les lames en appliquant dessus une pression latérale.**

23. **DANGER :**  
**Ne tentez pas de retirer le matériel coupé alors que la lame tourne encore.**

**ATTENTION : La lame continue sur sa lancée même après la mise hors tension de la scie.**

24. **Disposez la partie la plus large de la base de l'outil sur la partie de la pièce la mieux soutenue, et surtout pas sur la section devant tomber à l'issue de la coupe.**

25. **Ne tentez jamais d'effectuer une coupe en bloquant l'outil la tête en bas dans un étau. Cela est très dangereux et peut entraîner de graves accidents.**

26. **Portez des lunettes de sécurité et une protection d'oreilles pendant l'utilisation de l'outil.**

27. **N'utilisez aucune meule abrasive.**

28. **Utilisez uniquement une lame dont le diamètre correspond à celui indiqué sur l'outil ou dans le manuel.** L'utilisation d'une lame de dimension incorrecte peut nuire à la protection de la lame ou au bon fonctionnement du protège-lame et entraîner des blessures graves.

## CONSERVEZ CE MODE D'EMPLOI.





### ⚠ AVERTISSEMENT:

**NE VOUS LAISSEZ PAS tromper (au fil d'une utilisation répétée) par un sentiment d'aisance ou de familiarité avec le produit en négligeant les consignes de sécurité qui accompagnent le produit.** L'utilisation non sécuritaire ou incorrecte de cet outil comporte un risque de blessure grave.

USD301-1

## Symboles

Les symboles utilisés pour l'outil sont indiqués ci-dessous.

-  · volts
-  · courant continu
-  · vitesse à vide
-  · tours ou alternances par minute

ENC007-8

## CONSIGNES DE SÉCURITÉ IMPORTANTES POUR LA BATTERIE

1. **Avant d'utiliser la batterie, lisez toutes les instructions et précautions relatives (1) au chargeur de batterie, (2) à la batterie, et (3) à l'outil utilisant la batterie.**
2. **Ne démontez pas la batterie.**

3. Cessez immédiatement l'utilisation si le temps de fonctionnement devient excessivement court. Il y a risque de surchauffe, de brûlures, voire d'explosion.
4. Si l'électrolyte pénètre dans vos yeux, rincez-les à l'eau claire et consultez immédiatement un médecin. Il y a risque de perte de la vue.
5. **Ne court-circuitez pas la batterie :**
  - (1) Ne touchez les bornes avec aucun matériau conducteur.
  - (2) Évitez de ranger la batterie dans un conteneur avec d'autres objets métalliques, par exemple des clous, des pièces de monnaie, etc.
  - (3) Évitez d'exposer la batterie à l'eau ou à la pluie.

Un court-circuit de la batterie pourrait provoquer un fort courant, une surchauffe, parfois des brûlures et même une panne.

6. Ne rangez pas l'outil ou la batterie dans des endroits où la température risque d'atteindre ou de dépasser 50 ° C (122 ° F).
7. Ne jetez pas la batterie au feu même si elle est sérieusement endommagée ou complètement épuisée. La batterie peut exploser au contact du feu.
8. Prenez garde d'échapper ou de heurter la batterie.
9. N'utilisez pas une batterie si elle est endommagée.
10. Suivez la réglementation locale concernant la mise au rebut de la batterie.

## CONSERVEZ CE MODE D'EMPLOI.

### Conseils pour obtenir la durée de service maximale de la batterie

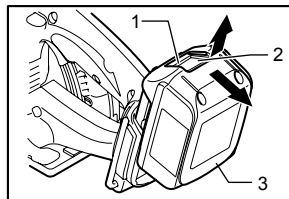
1. Rechargez la batterie avant qu'elle ne soit complètement déchargée.  
Arrêtez toujours l'outil et rechargez la batterie quand vous remarquez que la puissance de l'outil diminue.
2. Ne rechargez jamais une batterie complètement chargée.  
La surcharge réduit la durée de service de la batterie.
3. Rechargez la batterie à une température ambiante comprise entre 10 ° C et 40 ° C (50 ° F - 104 ° F). Si la batterie est chaude, laissez-la refroidir avant de la recharger.
4. Rechargez la batterie tous les six mois si l'appareil n'est pas utilisé pendant de longues périodes.

## DESCRIPTION DU FONCTIONNEMENT

### ⚠ ATTENTION:

- Assurez-vous toujours que l'outil est hors tension et que sa batterie est retirée avant de l'ajuster ou de vérifier son fonctionnement.

### Installation ou retrait de la batterie



1. Indicateur rouge
2. Bouton
3. Batterie

014166

### ⚠ ATTENTION:

- Mettez toujours l'appareil hors tension avant d'installer ou de retirer la batterie.
- **Tenez fermement l'outil et la batterie lors de l'installation ou du retrait de cette dernière.** Sinon, l'outil et la batterie pourraient vous glisser des mains, ce qui risque d'endommager l'outil et la batterie, ou encore de provoquer des blessures.

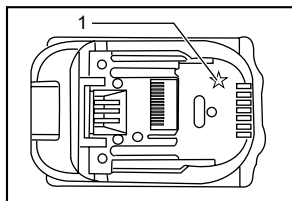
Pour retirer la batterie, faites-la glisser de l'outil tout en faisant glisser le bouton se trouvant à l'avant.

Pour installer la batterie, alignez sa languette sur la rainure pratiquée dans le boîtier, et glissez la batterie en place. Insérez-la à fond jusqu'à ce que vous entendiez un clic. Si vous pouvez voir l'indicateur rouge situé sur le dessus du bouton, la batterie n'est pas complètement verrouillée.

### ⚠ ATTENTION:

- Installez toujours la batterie à fond jusqu'à ce que vous ne puissiez plus voir l'indicateur rouge. Dans le cas contraire, elle pourrait tomber de l'outil et entraîner des blessures.
- Ne forcez pas sur la batterie pour l'installer. Si la batterie ne glisse pas facilement, c'est qu'elle n'est pas insérée correctement.

## Système de protection de la batterie (batterie lithium-ion marquée d'une étoile)



1. Étoile

012128

Les batteries lithium-ion marquées d'une étoile sont équipées d'un système de protection. Ce système coupe automatiquement l'alimentation de l'outil pour augmenter la durée de vie de la batterie.

L'outil s'arrête automatiquement pendant l'utilisation lorsque l'outil et/ou la batterie sont dans l'une des situations suivantes :

- En surcharge :

L'outil est utilisé d'une manière entraînant une consommation anormale de courant.

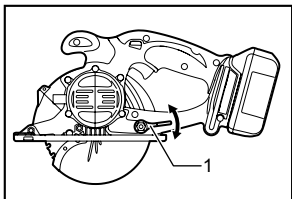
Dans cette situation, relâchez la gâchette et arrêtez l'activité qui entraîne une surcharge de l'outil. Puis appuyez de nouveau sur la gâchette pour redémarrer.

Si l'outil ne démarre pas, la batterie est en surchauffe. Dans cette situation, laissez refroidir la batterie avant d'appuyer de nouveau sur la gâchette.

- Tension de la batterie faible :

La capacité restante de la batterie est trop faible pour que l'outil puisse fonctionner. Dans cette situation, retirez et rechargez la batterie.

## Réglage de la profondeur de coupe



1. Levier

007524

### ⚠ ATTENTION:

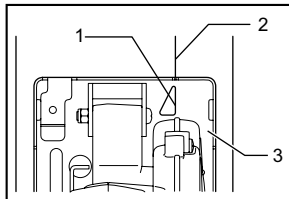
- Après avoir ajusté la profondeur de coupe, serrez toujours fermement le levier.

Desserrez le levier latéral de la poignée arrière puis déplacez la base vers le haut ou le bas. À la profondeur de coupe désirée, fixez la base en serrant le levier.

Pour obtenir des coupes plus propres et sans danger, réglez la profondeur de coupe de sorte que pas plus d'une dent de lame ne dépasse sous la pièce. L'utilisation d'une profondeur de coupe adéquate aide à

réduire les risques de chocs en retour dangereux qui peuvent causer des blessures.

## Visée

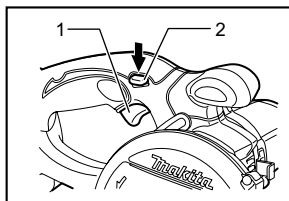


1. Position A  
2. Ligne de coupe  
3. Base

007525

Lors de la coupe, alignez sur la ligne de coupe de la pièce à travailler la position A à l'avant de la base.

## Interrupteur



1. Gâchette  
2. Levier de sécurité

007526

### ⚠ ATTENTION:

- Avant d'insérer la batterie dans l'outil, vérifiez toujours que la gâchette fonctionne bien et revient en position d'arrêt lorsque relâchée.
- N'appuyez pas fortement sur la gâchette avant d'avoir enfoncé le levier de déverrouillage. Vous risqueriez de casser l'interrupteur.

Un levier de déverrouillage a été prévu pour prévenir l'activation accidentelle de la gâchette. Pour faire démarrer l'outil, enfoncez le levier de déverrouillage puis appuyez sur la gâchette. Pour arrêter l'outil, libérez la gâchette.

### ⚠ AVERTISSEMENT:

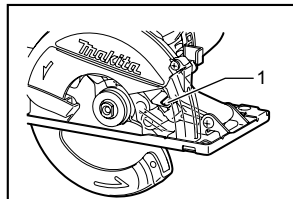
- Pour votre sécurité, cet outil est doté d'un levier de sécurité qui prévient le démarrage involontaire de l'outil. NE JAMAIS utiliser l'outil s'il s'active simplement en appuyant sur la gâchette sans presser sur le levier de sécurité. Avant de poursuivre l'utilisation, retournez l'outil à une centre de service après-vente MAKITA pour le faire réparer.
- Le levier de déverrouillage ne doit JAMAIS être immobilisé avec du ruban adhésif, ni modifié.

## Frein électrique

Cet outil est équipé d'un frein à lame électrique. Si à plusieurs reprises l'outil ne s'arrête pas rapidement après le relâchement de la gâchette, faites-le réparer dans un centre de service après-vente Makita.

Le mécanisme de frein à lame ne doit pas être utilisé en remplacement du garde inférieur. N'UTILISEZ JAMAIS L'OUTIL LORSQUE LE GARDE INFÉRIEUR NE FONCTIONNE PAS. CELA COMPORTE DES RISQUES DE BLESSURE GRAVE.

## Allumage de la lampe



007527

### ⚠ ATTENTION:

- Évitez de regarder directement le faisceau lumineux ou sa source.

Pour seulement allumer la lumière, appuyez sur la gâchette sans enfoncer le levier de sécurité. Pour allumer la lumière et faire tourner l'outil, enfoncez le levier de verrouillage et appuyez sur la gâchette en gardant le levier de sécurité enfoncé.

### NOTE:

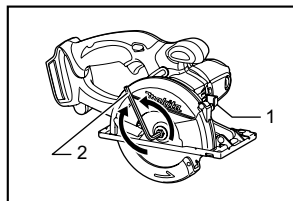
- Utilisez un coton-tige pour essuyer les saletés qui recouvrent la lentille de la lampe. Prenez garde de rayer la lentille de la lampe, sinon la luminosité risque d'être moindre.
- Ne pas utiliser d'essence, de diluant ni aucun liquide similaire pour nettoyer la lentille de la lampe. L'utilisation de telles substances endommagerait la lentille.

## ASSEMBLAGE

### ⚠ ATTENTION:

- Assurez-vous toujours que l'outil est hors tension et que sa batterie est retirée avant d'effectuer tout travail dessus.

### Retrait ou installation de la lame



007528

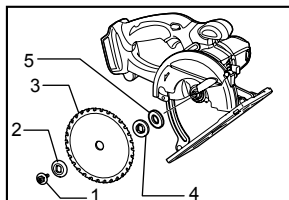
- Verrouillage de l'arbre
- Clé hexagonale

### ⚠ ATTENTION:

- Assurez-vous que la lame est installée avec les dents orientées vers le haut à l'avant de l'outil.
- Utilisez exclusivement une clé Makita pour installer ou retirer la lame.

Pour retirer la lame, appuyez sur le blocage de l'arbre de sorte que la lame ne puisse pas tourner et utilisez la clé pour desserrer le boulon hexagonal en le tournant dans le sens inverse des aiguilles d'une montre. Retirez ensuite le boulon hexagonal, le flasque extérieur et la lame.

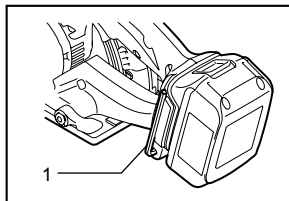
Pour poser la lame, suivez la procédure de retrait en sens inverse. ASSUREZ-VOUS D'AVOIR FERMEMENT SERRÉ LE BOULON HEXAGONAL, DANS LE SENS DES AIGUILLES D'UNE MONTRE.



007529

Lors du changement de la lame, assurez-vous de nettoyer les copeaux présents sur les protecteurs de lame supérieur et inférieur, comme indiqué dans la section Entretien. Il est également nécessaire de vérifier le fonctionnement du protecteur inférieur avant chaque utilisation.

### Rangement de la clé hexagonale



007530

Lorsque vous n'utilisez pas la clé hexagonale, rangez-la de la façon indiquée sur l'illustration pour éviter de l'égarer.

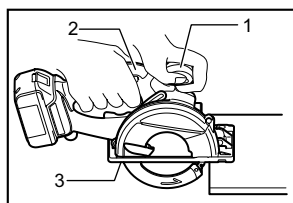
## UTILISATION

### ⚠ ATTENTION:

- Insérez toujours la batterie jusqu'au fond, jusqu'à ce qu'elle verrouille en place. Si vous pouvez voir la partie rouge de la face supérieure du bouton, la batterie n'est pas parfaitement verrouillée. Insérez-la à fond, jusqu'à ce que la partie rouge ne soit plus visible. Sinon, elle risque de tomber

accidentellement de l'outil, en vous blessant ou en blessant une personne se trouvant près de vous.

- Assurez-vous de déplacer l'outil doucement vers l'avant, en ligne droite. Le fait de forcer ou de tordre l'outil entraînera une surchauffe du moteur et un dangereux choc en retour, risquant de provoquer une blessure grave.
- Si l'outil est utilisé de manière continue jusqu'à ce que la batterie soit déchargée, laissez-le reposer 15 minutes avant de poursuivre l'opération avec une batterie fraîche.
- Ne jamais tourner ou forcer l'outil pendant la coupe. Cela risquerait de causer une surcharge du moteur et/ou un dangereux choc en retour pouvant blesser gravement l'utilisateur.
- Avant l'utilisation, portez toujours des lunettes de sécurité ou des lunettes à coques.



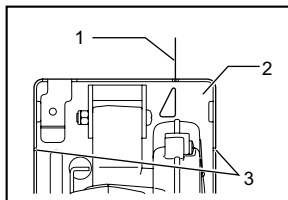
1. Poignée avant
2. Poignée arrière
3. Base

007531

Tenez l'outil fermement. L'outil est doté d'une poignée avant et d'une poignée arrière. Utilisez les deux pour obtenir une prise optimale sur l'outil. Si vous tenez l'outil à deux mains, elles seront à l'abri de la lame. Posez la base sur la pièce à couper, sans que la lame n'entre en contact avec quoi que ce soit. Mettez ensuite le contact et attendez que la lame atteigne sa pleine vitesse. Déplacez ensuite simplement l'outil vers l'avant sur la surface de la pièce, en le gardant à plat et en le faisant progresser doucement jusqu'à ce que la coupe soit terminée.

Pour obtenir des coupes propres, gardez la ligne de coupe bien droite et faites avancer l'outil à une vitesse constante. Si l'outil dévie de la ligne de coupe désirée, n'essayez pas de le faire tourner ou de le forcer à retourner dans la ligne de coupe. Vous risqueriez alors de coincer la lame, ce qui comporte un risque de recul dangereux et de blessure grave. Libérez la gâchette, attendez l'arrêt de la lame pour retirer l'outil. Réalignez l'outil dans une nouvelle ligne de coupe puis reprenez la coupe. Efforcez-vous d'éviter de vous placer de façon à être exposé aux copeaux et particules éjectés par l'outil. Utilisez un protecteur pour la vue avant d'éviter les blessures.

Les rainures de visée qui se trouvent sur la base rendent facile la vérification de la distance entre le bord avant de la lame et la pièce lorsque la lame est réglée sur la profondeur de coupe maximale.



1. Ligne de coupe
2. Base
3. Rainures de visée

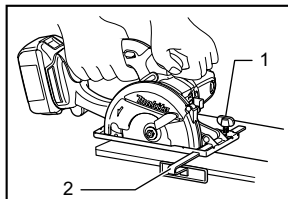
007534

#### ⚠ATTENTION:

- N'utilisez pas la lame si elle est déformée ou fissurée. Remplacez-la par une neuve.
- N'empilez pas les matériaux pour les couper.
- Ne pas couper dans l'acier trempé, l'acier inoxydable, le bois, le plastique, le béton, les carreaux, etc. **Coupez uniquement dans l'acier doux et l'aluminium.**
- Ne pas toucher la lame, la pièce ou les copeaux à mains nues immédiatement après la coupe, car ils peuvent être très chauds et vous brûler la peau.
- **Utilisez toujours des lames adéquates pour le travail à effectuer.** L'utilisation de lames inadéquates peut causer une coupe médiocre et/ou comporter un risque de blessure.

### Garde parallèle (règle de guidage)

#### (Accessoire)



1. Vis de serrage
2. Garde parallèle (règle de guidage)

007532

Un garde parallèle pratique vous permet d'effectuer des coupes droites d'une extrême précision. Faites simplement glisser le garde parallèle le long du côté de la pièce en le maintenant en position à l'aide de la vis de serrage située à l'avant de la base. Cela permet également d'effectuer plusieurs coupes d'une largeur uniforme.

## ENTRETIEN

#### ⚠ATTENTION:

- Assurez-vous toujours que l'outil est hors tension et que la batterie est retirée avant d'y effectuer tout travail d'inspection ou d'entretien.
- **Nettoyez les protecteurs de lame supérieur et inférieur pour vous assurer qu'aucune accumulation de poussière ne risque de nuire au fonctionnement du système de protection**

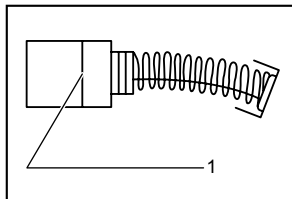
**inférieur.** La présence de saleté dans le système de protection peut nuire au fonctionnement adéquat et entraîner des blessures graves. La méthode plus efficace pour réaliser ce nettoyage consiste à utiliser l'air comprimé. **Si la poussière est retirée du protecteur par soufflage, assurez-vous d'utiliser une protection pour les yeux et un masque approprié.**

- N'utilisez jamais d'essence, de benzine, de solvant, d'alcool ou d'autres produits similaires. Une décoloration, une déformation, ou la formation de fissures peuvent en découler.

### Inspection de la lame

- Avant et après chaque utilisation, vérifiez soigneusement l'absence de fissures ou de dommages sur la lame. Veuillez remplacer immédiatement toute lame fissurée ou endommagée.
- Il y a risque de dangereux choc en retour et/ou de surcharge du moteur si une lame émoussée est utilisée. Remplacez la lame par une neuve si elle ne coupe plus bien.
- **Il n'est pas possible d'affûter les lames de scie circulaire à métaux.**

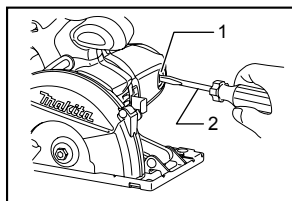
### Remplacement des charbons



1. Trait de limite d'usure

001145

Retirez et vérifiez régulièrement les charbons. Remplacez-les lorsqu'ils sont usés jusqu'au trait de limite d'usure. Maintenez les charbons propres et en état de glisser aisément dans les porte-charbon. Les deux charbons doivent être remplacés en même temps. N'utilisez que des charbons identiques.



1. Bouchon de porte-charbon  
2. Tournevis

007533

Utilisez un tournevis pour retirer les bouchons de porte-charbon. Enlevez les charbons usés, insérez-en de nouveaux et revissez solidement les bouchons de porte-charbon.

Après avoir remplacé les charbons, insérez la batterie dans l'outil et rodez les brosses en faisant fonctionner l'outil à vide pendant environ 1 minute. Vérifiez ensuite le bon fonctionnement de l'outil, ainsi que l'activation du frein électrique lors du relâchement de la gâchette. Si le frein électrique ne fonctionne pas bien, faites une demande de réparation auprès du centre de service après-vente Makita le plus près.

Pour maintenir la SÉCURITÉ et la FIABILITÉ du produit, les réparations, tout autre travail d'entretien ou de réglage doivent être effectués dans un centre de service Makita agréé ou un centre de service de l'usine Makita, exclusivement avec des pièces de rechange Makita.

## ACCESSOIRES EN OPTION

### ⚠ATTENTION:

- Ces accessoires ou pièces complémentaires sont recommandés pour l'utilisation avec l'outil Makita spécifié dans ce mode d'emploi. L'utilisation de tout autre accessoire ou pièce complémentaire peut comporter un risque de blessure. N'utilisez les accessoires ou pièces qu'aux fins auxquelles ils ont été conçus.

Si vous désirez obtenir plus de détails concernant ces accessoires, veuillez contacter le centre de service après-vente Makita le plus près.

- Lames à dents de carbure
- Garde parallèle (règle de guidage)
- Vis à oreilles M5 x 20
- Ressort de compression 6
- Clé hexagonale 5
- Lunettes de sécurité
- Chargeur et batterie authentiques Makita

### NOTE:

- Certains éléments de la liste peuvent être inclus avec l'outil comme accessoires standard. Ils peuvent varier suivant les pays.

---

## **GARANTIE LIMITÉE D'UN AN MAKITA**

### **Politique de garantie**

Chaque outil Makita est inspecté rigoureusement et testé avant sa sortie d'usine. Nous garantissons qu'il sera exempt de défaut de fabrication et de vice de matériau pour une période d'UN AN à partir de la date de son achat initial. Si un problème quelconque devait survenir au cours de cette période d'un an, veuillez retourner l'outil COMPLET, port payé, à une usine ou à un centre de service après-vente Makita. Makita réparera l'outil gratuitement (ou le remplacera, à sa discrétion) si un défaut de fabrication ou un vice de matériau est découvert lors de l'inspection.

Cette garantie ne s'applique pas dans les cas où:

- des réparations ont été effectuées ou tentées par un tiers:
- des réparations s'imposent suite à une usure normale:
- l'outil a été malmené, mal utilisé ou mal entretenu:
- l'outil a subi des modifications.

MAKITA DÉCLINE TOUTE RESPONSABILITÉ POUR TOUT DOMMAGE ACCESSOIRE OU INDIRECT LIÉ À LA VENTE OU À L'UTILISATION DU PRODUIT. CET AVIS DE NON-RESPONSABILITÉ S'APPLIQUE À LA FOIS PENDANT ET APRÈS LA PÉRIODE COUVERTE PAR CETTE GARANTIE.

MAKITA DÉCLINE TOUTE RESPONSABILITÉ QUANT À TOUTE GARANTIE TACITE, INCLUANT LES GARANTIES TACITES DE "QUALITÉ MARCHANDE" ET "ADÉQUATION À UN USAGE PARTICULIER" APRÈS LA PÉRIODE D'UN AN COUVERTE PAR CETTE GARANTIE.

Cette garantie vous donne des droits spécifiques reconnus par la loi, et possiblement d'autres droits, qui varient d'un État à l'autre. Certains États ne permettant pas l'exclusion ou la limitation des dommages accessoires ou indirects, il se peut que la limitation ou exclusion ci-dessus ne s'applique pas à vous. Certains États ne permettant pas la limitation de la durée d'application d'une garantie tacite, il se peut que la limitation ci-dessus ne s'applique pas à vous.

EN0006-1



## ESPAÑOL (Instrucciones originales)

### ESPECIFICACIONES

Modelo	XSC01	
Diámetro del disco	136 mm (5-3/8")	
Profundidad de corte máxima	51 mm (2")	
Velocidad sin carga (RPM)	3 600 r/min	
Longitud total	348 mm (13-3/4")	
Peso neto	2,3 kg (5,1 lbs)	2,6 kg (5,7 lbs)
Tensión nominal	18 V c.c.	
Cartuchos de batería estándar	BL1815N	BL1830 / BL1840

• Debido a nuestro programa continuo de investigación y desarrollo, las especificaciones aquí dadas están sujetas a cambios sin previo aviso.

• Las especificaciones y el cartucho de la batería pueden variar de país a país.

• Peso de acuerdo al procedimiento de EPTA-01/2003 incluyendo el cartucho de la batería

GEA006-2

## Advertencias de seguridad generales para herramientas eléctricas

**⚠ ADVERTENCIA:** lea todas las advertencias de seguridad e instrucciones. Si no sigue todas las advertencias e instrucciones indicadas a continuación, podrá ocasionar una descarga eléctrica, un incendio y/o lesiones graves.

## Guarde todas las advertencias e instrucciones para su futura referencia.

El término "herramienta eléctrica" se refiere, en todas las advertencias que aparecen a continuación, a su herramienta eléctrica de funcionamiento con conexión a la red eléctrica (con cableado eléctrico) o herramienta eléctrica de funcionamiento a batería (inalámbrica).

### Seguridad en el área de trabajo

1. **Mantenga el área de trabajo limpia y bien iluminada.** Las áreas oscuras o desordenadas son propensas a accidentes.
2. **No utilice las herramientas eléctricas en atmósferas explosivas, tal como en la presencia de líquidos, gases o polvo inflamables.** Las herramientas eléctricas crean chispas que pueden prender fuego al polvo o los humos.
3. **Mantenga a los niños y curiosos alejados mientras utiliza una herramienta eléctrica.** Las distracciones le pueden hacer perder el control.

### Seguridad eléctrica

4. **Las clavijas de conexión de las herramientas eléctricas deberán encajar perfectamente en la toma de corriente. No modifique nunca la clavija de conexión de ninguna forma. No utilice ninguna clavija adaptadora con herramientas**

**eléctricas que tengan conexión a tierra (puesta a tierra).** La utilización de clavijas no modificadas y que encajen perfectamente en la toma de corriente reducirá el riesgo de que se produzca una descarga eléctrica.

5. **Evite tocar con el cuerpo superficies conectadas a tierra o puestas a tierra tales como tubos, radiadores, cocinas y refrigeradores.** Si su cuerpo es puesto a tierra o conectado a tierra existirá un mayor riesgo de que sufra una descarga eléctrica.
6. **No exponga las herramientas eléctricas a la lluvia ni a condiciones húmedas.** La entrada de agua en una herramienta eléctrica aumentará el riesgo de que se produzca una descarga eléctrica.
7. **No jale el cable. Nunca utilice el cable para transportar, jalar o desconectar la herramienta eléctrica. Mantenga el cable alejado del calor, aceite, objetos cortantes o piezas móviles.** Los cables dañados o atrapados aumentan el riesgo de sufrir una descarga eléctrica.
8. **Cuando utilice una herramienta eléctrica en exteriores, utilice un cable de extensión apropiado para uso en exteriores.** La utilización de un cable apropiado para uso en exteriores reducirá el riesgo de que se produzca una descarga eléctrica.
9. **Si no es posible evitar usar una herramienta eléctrica en condiciones húmedas, utilice un alimentador protegido con interruptor de circuito de falla en tierra (ICFT).** El uso de un ICFT reduce el riesgo de descarga eléctrica.

### Seguridad personal

10. **Manténgase alerta, preste atención a lo que está haciendo y utilice su sentido común cuando opere una herramienta eléctrica. No utilice la herramienta eléctrica cuando esté cansado o bajo la influencia de drogas, alcohol o medicamentos.** Un momento de distracción mientras opera la máquina puede dar

como resultado heridas personales graves.

11. **Use equipo de protección personal. Póngase siempre protección para los ojos.** El equipo protector tal como máscara contra el polvo, zapatos de seguridad antiderrapantes, casco rígido y protección para oídos utilizado en las condiciones apropiadas reducirá las heridas personales.
12. **Impida el encendido accidental. Asegúrese de que el interruptor esté en la posición de apagado antes de conectar a la alimentación eléctrica y/o de colocar el cartucho de la batería, así como al levantar o cargar la herramienta.** Cargar las herramientas eléctricas con su dedo en el interruptor o enchufarlas con el interruptor encendido hace que los accidentes sean propensos.
13. **Retire cualquier llave de ajuste o llave de apriete antes de encender la herramienta.** Una llave de ajuste o llave de apriete que haya sido dejada puesta en una parte giratoria de la herramienta eléctrica podrá resultar en heridas personales.
14. **No utilice la herramienta donde no alcance. Mantenga los pies sobre suelo firme y el equilibrio en todo momento.** Esto permite un mejor control de la herramienta eléctrica en situaciones inesperadas.
15. **Use vestimenta apropiada. No use ropas sueltas ni joyas. Mantenga el cabello, la ropa y los guantes alejados de las piezas móviles.** Las prendas de vestir holgadas, las joyas y el cabello suelto podrían engancharse en estas piezas móviles.
16. **Si dispone de dispositivos para la conexión de equipos de extracción y recolección de polvo, asegúrese de conectarlos y utilizarlos debidamente.** La utilización de estos dispositivos reduce los riesgos relacionados con el polvo.

#### **Mantenimiento y uso de la herramienta eléctrica**

17. **No fuerce la herramienta eléctrica. Utilice la herramienta eléctrica correcta para su aplicación.** La herramienta eléctrica adecuada hará un trabajo mejor a la velocidad para la que ha sido fabricada.
18. **No utilice la herramienta eléctrica si el interruptor no la enciende y apaga.** Cualquier herramienta eléctrica que no pueda ser controlada con el interruptor es peligrosa y debe ser reemplazada.
19. **Desconecte la clavija de la fuente de energía y/o la batería de la herramienta eléctrica antes de realizar ajustes, cambiar accesorios o guardar las herramientas eléctricas.** Dichas medidas de seguridad preventivas reducen el riesgo de que la herramienta se inicie accidentalmente.
20. **Guarde la herramienta eléctrica que no use fuera del alcance de los niños y no permita que las personas que no están familiarizadas con ella o con las instrucciones la operen.** Las herramientas eléctricas son peligrosas en manos de personas que no saben operarlas.

21. **Realice el mantenimiento a las herramientas eléctricas. Compruebe que no haya partes móviles desalineadas o estancadas, piezas rotas y cualquier otra condición que pueda afectar al funcionamiento de la herramienta eléctrica.** Si la herramienta eléctrica está dañada, haga que se la reparen antes de utilizarla. Muchos accidentes son ocasionados por herramientas eléctricas con un mal mantenimiento.
22. **Mantenga las herramientas de corte limpias y filosas.** Si recibe un mantenimiento adecuado y tiene los bordes afilados, es probable que la herramienta se atasque menos y sea más fácil controlarla.
23. **Utilice la herramienta eléctrica, así como accesorios, piezas, brocas, etc. de acuerdo con estas instrucciones y de la manera establecida para cada tipo de unidad en particular; tenga en cuenta las condiciones laborales y el trabajo a realizar.** Si utiliza la herramienta eléctrica para realizar operaciones distintas de las indicadas, podrá presentarse una situación peligrosa.

#### **Uso y cuidado de la herramienta a batería**

24. **Realice la recarga sólo con el cargador especificado por el fabricante.** Un cargador que es adecuado para un solo tipo de batería puede generar riesgo de incendio al ser utilizado con otra batería.
25. **Utilice las herramientas eléctricas solamente con las baterías designadas específicamente para ellas.** La utilización de cualquier otra batería puede crear un riesgo de heridas o incendio.
26. **Cuando no se esté usando el cartucho de la batería, manténgalo alejado de otros objetos metálicos, como sujetapapeles (clips), monedas, llaves, clavos, tornillos u otros objetos pequeños de metal los cuales pueden actuar creando una conexión entre las terminales de la batería.** Cerrar el circuito de las terminales de la batería puede causar quemaduras o incendios.
27. **En condiciones de mal uso, podrá escapar líquido de la batería; evite tocarlo. Si lo toca accidentalmente, enjuague con agua. Si hay contacto del líquido con los ojos, acuda por ayuda médica.** Puede que el líquido expulsado de la batería cause irritación o quemaduras.

#### **Servicio de mantenimiento**

28. **Haga que una persona calificada repare la herramienta utilizando sólo piezas de repuesto idénticas.** Esto asegura que se mantenga la seguridad de la herramienta eléctrica.

29. **Siga las instrucciones para la lubricación y cambio de accesorios.**
30. **Mantenga las agarraderas secas, limpias y sin aceite o grasa.**

GEB121-2

## **ADVERTENCIAS DE SEGURIDAD PARA LA SIERRA PARA METAL INALÁMBRICA**

### **Procedimientos de corte**

1. **⚠ PELIGRO: Mantenga las manos alejadas del área de corte y del disco. Mantenga su segunda mano sobre el mango auxiliar o sobre la carcasa del motor.** Si ambas manos sujetan la herramienta, éstas no pueden sufrir cortes por el disco.
2. **Nunca meta la mano por debajo de la pieza de trabajo.** El protector no puede protegerle del disco debajo de la pieza de trabajo.
3. **Ajuste la profundidad de corte al grosor de la pieza de trabajo.** Debe verse menos de un diente completo por debajo de la pieza de trabajo.
4. **Nunca sujete la pieza que se está cortando con las manos ni entre las piernas. Fije la pieza de trabajo a una plataforma estable.** Es importante sujetar la pieza de trabajo correctamente para minimizar la exposición del cuerpo, el estancamiento del disco o la pérdida de control.
5. **Sujete la herramienta eléctrica por las superficies de sujeción aisladas solamente al realizar una operación en la que la pieza cortadora pueda entrar en contacto con cables ocultos.** El contacto con un cable con corriente también electrificará las piezas metálicas expuestas de la herramienta eléctrica y el operario puede recibir una descarga.
6. **Cuando realice un corte longitudinal, utilice siempre un tope lateral o una guía de borde recto.** Esto mejora la precisión del corte y reduce la posibilidad de que el disco se atasque.
7. **Siempre utilice discos con orificios de ejes del tamaño y medida correctas (diamante VS redonda).** Las discos que no combinan con el equipo de montaje de la herramienta funcionarán impredeciblemente provocando la pérdida del control de la herramienta.
8. **Nunca utilice arandelas o pernos de cuchillas dañadas o incorrectas.** El perno y las arandelas del disco se han diseñado específicamente para la misma, para una seguridad y un rendimiento óptimos.

### **Causas de los retrocesos y advertencias relacionadas**

- Un retroceso brusco es una reacción repentina provocada por un disco mal alineado, alabeado o mellado, que hace que una herramienta se levante de forma incontrolada y se aleje de la pieza de trabajo hacia el operador.

- Cuando el disco está mellado o aprisionado por la entalladura al cerrarse, se atasca y la reacción del motor empuja la unidad rápidamente hacia atrás, hacia el operador.
- Si el disco se retuerce o está mal alineado en el corte, los dientes del borde posterior del disco pueden clavarse en la superficie posterior de la pieza de trabajo, haciendo que el disco escale la entalladura y salte hacia el operador.

El retroceso es el resultado de un mal uso de la herramienta o de condiciones o procedimientos de uso incorrectos y se puede evitar tomando las precauciones que se indican a continuación.

9. **Sujete la herramienta firmemente con las dos manos y coloque sus brazos de forma que ofrezcan resistencia a la fuerza del retroceso. Coloque su cuerpo hacia cualquiera de los lados del disco, pero no en línea con él.** El retroceso puede provocar que la herramienta salte hacia atrás; no obstante, el operador puede controlar la fuerza del retroceso si toma las precauciones adecuadas.
10. **Cuando el disco se doble, o cuando se interrumpa un corte por cualquier motivo, suelte el gatillo y sostenga la herramienta sin movimiento en el material hasta que el disco se detenga por completo. Nunca intente retirar la herramienta de la pieza de trabajo o empujarla hacia atrás mientras el disco se encuentra en movimiento. Podría producirse un RETROCESO BRUSCO.** Investigue y tome acciones correctivas a fin de eliminar la causa por la que el disco se dobla.
11. **Cuando vuelva a poner en marcha la herramienta sobre la pieza de trabajo, céntrala en la entalladura y compruebe que sus dientes no estén en contacto con el material.** Si el disco se atasca, podrá haber un retroceso brusco o un avance en la pieza al reiniciar la herramienta.
12. **Sujete los paneles grandes para minimizar el riesgo de que el disco se estanque y de retroceso.** Los paneles grandes tienden a hundirse bajo su propio peso. Deben colocarse soportes bajo el panel en ambos lados, cerca de la línea de corte y del borde del panel.
13. **No utilice discos dañados o desafilados.** Los discos colocados incorrectamente o desafilados producen un corte más angosto y causan una fricción excesiva, que el disco se doble y retrocesos bruscos.
14. **Las palancas de fijación de los ajustes de profundidad y de bisel del disco deben ser apretadas y aseguradas antes de realizar el corte.** Si el ajuste del disco cambia durante el corte, podrá ocasionar un atoramiento y retroceso brusco.
15. **Tenga especial cuidado cuando realice un "corte de cavidad" en paredes u otras áreas ciegas.** El disco protuberante puede cortar objetos que pueden provocar retrocesos. Para cortes de cavidad, levante

el protector inferior utilizando el mango retráctil.

#### **Función del protector inferior (guarda del disco)**

##### **16. Uso pretendido**

Esta herramienta está diseñada para cortar acero dulce solamente.

17. Compruebe si el protector inferior está bien cerrado antes de cada uso. No utilice la herramienta si el protector inferior no se mueve libremente y/o no se cierra instantáneamente. Nunca sujete ni mantenga el protector inferior en la posición abierta. Si la herramienta cae accidentalmente, la protección inferior se puede doblar. Levante el protector inferior con la palanca retráctil y asegúrese de que se mueve libremente y de que no hace contacto con el disco ni con ninguna otra pieza en todos los ángulos y profundidades del corte.

18. Verifique el funcionamiento y condición del resorte de la protección inferior. Si la protección y el resorte no funcionan correctamente, deben repararse antes de utilizarse. La protección inferior podría funcionar lentamente debido a las piezas dañadas, depósitos gomosos o acumulados de residuos.

19. El protector inferior debe retraerse manualmente solamente para cortes especiales como "cortes de cavidad" y "cortes compuestos." Levante el protector inferior mediante el mango retráctil y cuando el disco entre en el material, debe soltar el protector inferior. Para todos los otros cortes con sierra, el protector inferior debe funcionar automáticamente.

20. Siempre observe que la protección inferior cubra el disco de corte antes de colocar la herramienta hacia abajo sobre el banco o en el piso. Una disco sin protección o que se está deteniendo, puede hacer que la herramienta se desplace hacia atrás y corte lo que esté a su paso. Investigue el tiempo que le lleva al disco detenerse después de liberar el interruptor.

21. Para comprobar el protector inferior, ábralo a mano, suéltelo y compruebe si se cierra. Compruebe también que el mango retráctil no toque el alojamiento de la herramienta. Dejar el disco expuesto es MUY PELIGROSO y puede provocar graves lesiones personales.

#### **Advertencias de seguridad adicionales**

22. No detenga los discos mediante presión lateral sobre el disco.

##### **23. PELIGRO:**

No intente retirar material cortado cuando el disco se está moviendo.

**PRECAUCIÓN:** Los discos siguen girando por inercia después de apagar la herramienta.

24. Coloque la parte más ancha de la base de la herramienta en aquella parte de la pieza de trabajo que esté firmemente apoyada, no en la parte que

se vaya a caer cuando se realice el corte.

25. Nunca intente hacer un corte con la herramienta boca arriba en un taburete. Esto es extremadamente peligroso y puede ocasionar accidentes graves.

26. Utilice gafas de seguridad y protección en los oídos durante su funcionamiento.

27. No use ningún disco abrasivo.

28. Use solamente un disco cuyo diámetro esté marcado en la herramienta o especificado en el manual. El uso de un disco de tamaño inadecuado puede que afecte la protección del disco o del protector en sí, lo cual podría resultar en graves lesiones al operador.

## **GUARDE ESTAS INSTRUCCIONES.**



### **⚠ADVERTENCIA:**

**NO DEJE** que la comodidad o familiaridad con el producto (a base de utilizarlo repetidamente) sustituya la estricta observancia de las normas de seguridad para dicho producto. El **MAL USO** o el no seguir las normas de seguridad establecidas en este manual de instrucciones puede ocasionar graves lesiones personales.

USD301-1

## **Símbolos**

A continuación se muestran los símbolos utilizados para la herramienta.

- |   |   |
|---|---|
|  | · voltios                                 |
|  | · corriente directa o continua            |
| $n_0$   | · velocidad en vacío o sin carga          |
| $\dots / \text{min}$  | · revoluciones o alternaciones por minuto |

ENC007-8

## **INSTRUCCIONES IMPORTANTES DE SEGURIDAD PARA CARTUCHO DE BATERÍA**

1. Antes de utilizar el cartucho de batería, lea todas las instrucciones e indicaciones de precaución sobre (1) el cargador de baterías, (2) la batería, y (3) el producto con el que se utiliza la batería.
2. No desarme el cartucho de batería.
3. Si el tiempo de operación se ha acordado en exceso, deje de operar de inmediato. Podría correrse el riesgo de sobrecalentamiento, posibles quemaduras e incluso explosión.

4. En caso de que ingresen electrolitos en sus ojos, enjuáguelos bien con agua limpia y consulte de inmediato a un médico. Podría perder la visión.
5. No cortocircuite el cartucho de batería:
  - (1) No toque las terminales con ningún material conductor.
  - (2) Evite guardar el cartucho de batería en un cajón junto con otros objetos metálicos, tales como clavos, monedas, etc.
  - (3) No exponga la batería de cartucho a la lluvia o nieve.

Un corto circuito en la batería puede causar un flujo grande de corriente, sobrecalentamiento, posibles quemaduras y aún descomposturas.

6. No guarde la herramienta ni el cartucho de batería en lugares donde la temperatura pueda alcanzar o exceder los 50 ° C (122 ° F).
7. Nunca incinere el cartucho de batería incluso en el caso de que esté dañado seriamente o ya no sirva en absoluto. El cartucho de batería puede explotar si se tira al fuego.
8. Tenga cuidado de no dejar caer ni golpear el cartucho de batería.
9. No use una batería dañada.
10. Siga las regulaciones locales relacionadas al desecho de las baterías.

## GUARDE ESTAS INSTRUCCIONES.

### Consejos para alargar al máximo la vida útil de la batería

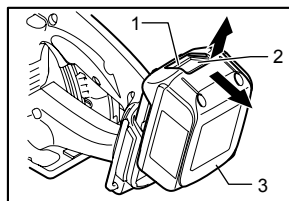
1. Cargue el cartucho de batería antes de que se descargue completamente.  
Pare siempre la operación y cargue el cartucho de batería cuando note menos potencia en la herramienta.
2. No cargue nunca un cartucho de batería que esté completamente cargado.  
La sobrecarga acortará la vida de servicio de la batería.
3. Cargue el cartucho de batería a temperatura ambiente de 10 ° C - 40 ° C (50 ° F - 104 ° F). Si un cartucho de batería está caliente, déjelo enfriar antes de cargarlo.
4. Recargue el cartucho de la batería una vez cada seis meses si no se va a usar por un periodo extenso.

## DESCRIPCIÓN DEL FUNCIONAMIENTO

### ⚠PRECAUCIÓN:

- Asegúrese siempre de que la herramienta esté apagada y el cartucho de batería extraído antes de realizar cualquier ajuste o comprobación en la herramienta.

### Instalación o desmontaje del cartucho de batería



1. Indicador rojo
2. Botón
3. Cartucho de batería

014166

### ⚠PRECAUCIÓN:

- Apague siempre la herramienta antes de colocar o quitar el cartucho de batería.
- **Sujete la herramienta y el cartucho de la batería con firmeza al colocar o quitar el cartucho.** Si no se sujeta con firmeza la herramienta y el cartucho de la batería, puede ocasionar que se resbalen de sus manos resultando en daños a la herramienta y al cartucho, así como lesiones a la persona.

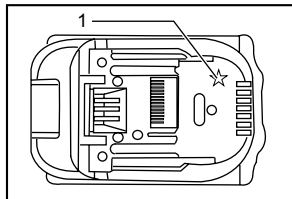
Para quitar el cartucho de batería, deslícelo de la herramienta mientras desliza el botón sobre la parte delantera del cartucho.

Para colocar el cartucho de batería, alinee la lengüeta sobre el cartucho de batería con la ranura en la carcasa y deslice en su lugar. Inserte por completo hasta que se fije en su lugar con un pequeño clic. Si puede ver el indicador rojo del lado superior del botón, esto indica que no ha quedado fijo por completo.

### ⚠PRECAUCIÓN:

- Introduzca siempre completamente el cartucho de batería hasta que el indicador rojo no pueda verse. Si no, podría accidentalmente salirse de la herramienta y caer al suelo causando una lesión a usted o alguien a su alrededor.
- No instale el cartucho de batería a la fuerza: si el cartucho no se desliza al interior fácilmente, se debe a que no está siendo insertado correctamente.

## Sistema de protección de batería (batería de ión de litio con marca de estrella)



1. Marca de estrella

012128

Las baterías de ión de litio con una marca de estrella están equipadas con un sistema de protección. Este sistema corta en forma automática el suministro de energía a la herramienta para prolongar la vida útil de la batería.

La herramienta se detendrá automáticamente durante el funcionamiento si la herramienta y/o la batería se someten a una de las siguientes condiciones:

- Sobrecarga:

La herramienta se está utilizando de una manera que causa que consuma una cantidad de corriente inusualmente alta.

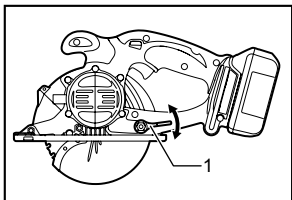
En este caso, libere el gatillo interruptor en la herramienta y detenga la aplicación que causó que la herramienta se sobrecargara. Luego, vuelva a jalar el gatillo interruptor para reanudar el funcionamiento.

Si la herramienta no empieza a funcionar, significa que la batería se sobrecalentó. En este caso, espere que la batería se enfríe antes de volver a jalar el gatillo interruptor.

- Bajo voltaje de la batería:

La capacidad restante de la batería es demasiado baja y la herramienta no funcionará. En este caso, extraiga la batería y vuelva a cargarla.

## Ajuste de la profundidad de corte



1. Palanca

007524

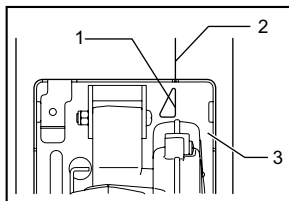
### ⚠ PRECAUCIÓN:

- Después de ajustar la profundidad de corte, apriete siempre la palanca firmemente.

Afloje la palanca del lateral del mango posterior y mueva la base hacia arriba o hacia abajo. Cuando haya alcanzado la profundidad de corte deseada, fije la base apretando la palanca.

Para obtener cortes más limpios y seguros, ajuste la profundidad de corte de forma que no sobresalga más de un diente del disco de sierra por debajo de la pieza de trabajo. La utilización de una profundidad de corte apropiada ayuda a reducir la posibilidad de que se produzcan peligrosos RETROCESOS BRUSCOS que pueden ocasionar heridas personales.

## Guía visual

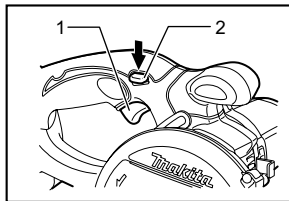


1. Posición A  
2. Línea de corte  
3. Base

007525

Cuando corte, alinee la posición A en el frente de la base con la línea de corte de la pieza de trabajo.

## Accionamiento del interruptor



1. Gatillo interruptor  
2. Botón de bloqueo

007526

### ⚠ PRECAUCIÓN:

- Antes de insertar el cartucho de batería en la herramienta, compruebe siempre y cerciórese de que el gatillo interruptor se acciona debidamente y que vuelve a la posición "OFF" (apagado) cuando lo suelta.
- Cuando no utilice la herramienta, retire la palanca de desbloqueo y guárdela en un lugar seguro. Así se impide el uso no autorizado.

Para evitar que el disparador del interruptor se accione accidentalmente se proporciona una palanca de bloqueo. Para poner en marcha la herramienta, presione la palanca de bloqueo y tire del disparador del interruptor. Suelte el disparador para detener la herramienta.

### ⚠ ADVERTENCIA:

- Por su seguridad, esta herramienta está equipada con una palanca de desbloqueo para prevenir que la herramienta se active accidentalmente. NUNCA use la herramienta si se activa simplemente al jalar el gatillo sin que requiera presionar la palanca de desbloqueo. Regrese la herramienta al centro de servicio MAKITA para las reparaciones apropiadas ANTES de continuar su utilización.

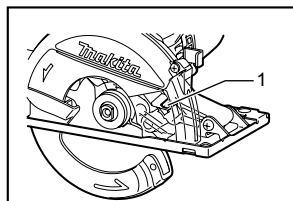
- NUNCA fije con cinta adhesiva ni impida el funcionamiento ni la finalidad de la palanca de bloqueo.

### Freno eléctrico

Esta herramienta está equipada con un freno eléctrico para el disco. Si sistemáticamente ocurre que al soltar el gatillo interruptor el disco no se detiene de inmediato, envíe la herramienta al centro de servicio Makita para su reparación.

El sistema de freno del disco no es un sustituto del protector de disco inferior. **NO UTILICE NUNCA LA HERRAMIENTA SI EL PROTECTOR INFERIOR NO FUNCIONA BIEN. PODRÍA SUFRIR HERIDAS PERSONALES.**

### Encendido de la lámpara



007527

1. Lámpara

#### ⚠PRECAUCIÓN:

- No mire a la luz ni vea la fuente de luz directamente.

Sólo para encender la luz, jale el gatillo interruptor sin presionar la palanca de desbloqueo. Para encender la luz y activar la herramienta, presione la palanca de desbloqueo y jale el gatillo interruptor manteniendo presionada la palanca de desbloqueo.

#### NOTA:

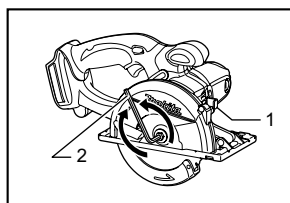
- Utilice un bastoncillo de algodón para la limpieza de los oídos, y con éste elimine la suciedad de la lente de la linterna. Tenga cuidado de no rayar la lente de la linterna, porque podrá disminuir la iluminación.
- No utilice gasolina, disolvente ni ningún producto similar para limpiar la lente de la lámpara. El uso de tales sustancias dañará la lente.

## MONTAJE

#### ⚠PRECAUCIÓN:

- Asegúrese siempre de que la herramienta esté apagada y el cartucho de batería extraído antes de realizar cualquier trabajo en la herramienta.

### Extracción e instalación del disco cortador



007526

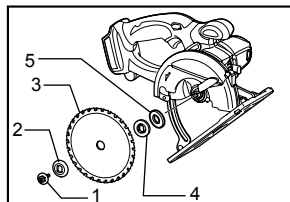
1. Bloqueo del eje
2. Llave hexagonal

#### ⚠PRECAUCIÓN:

- Asegúrese de que el disco esté instalado con los dientes orientados hacia arriba en la parte delantera de la herramienta.
- Utilice solamente la llave Makita para instalar o desmontar el disco.

Para quitar el disco, presione el bloqueo del eje de forma que el disco no pueda girar y afloje el perno hexagonal girándolo hacia la izquierda con la llave. Después quite el perno hexagonal, brida exterior y disco.

Para instalar el disco, siga el procedimiento de desmontaje a la inversa. **ASEGÚRESE DE APRETAR EL PERNO HEXAGONAL HACIA LA DERECHA FIRMEMENTE.**

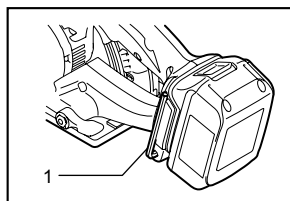


007529

1. Perno hexagonal
2. Brida exterior
3. Disco de sierra
4. Brida interior
5. Arandela cóncava

Al cambiar el disco, asegúrese de también limpiar eliminando el aserrín acumulado de los protectores de discos inferior y superior, como se indica en la sección de Mantenimiento. Dicha acción no reemplaza la necesidad de revisar el protector inferior antes de cada uso.

### Almacenamiento de la llave de Allen (hexagonal)



007530

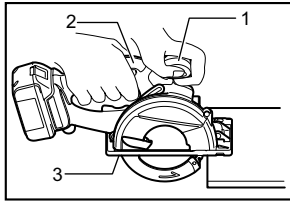
1. Llave hexagonal

Cuando no la utilice, guarde la llave de Allen como se muestra en la figura para evitar que se pierda.

# OPERACIÓN

## ⚠PRECAUCIÓN:

- Inserte siempre el cartucho de la batería a tope hasta que se bloquee en su sitio. Si puede ver la parte roja del lado superior del botón, no estará bloqueado completamente. Insértelo completamente hasta que no pueda verse la parte roja. En caso contrario, podrá caerse accidentalmente de la herramienta y ocasionarle heridas a usted o a alguien que se encuentre cerca de usted.
- Asegúrese de mover la herramienta hacia delante en línea recta y suavemente. El forzar o torcer la herramienta producirá un sobrecalentamiento del motor y un peligroso retroceso brusco, causando posiblemente graves heridas.
- Si utiliza la herramienta continuamente hasta descargar el cartucho de batería, deje descansar la herramienta durante 15 minutos antes de proceder con una batería fresca.
- Nunca fuerce ni retuerza la herramienta durante el corte. Esta acción podría causar una sobrecarga del motor y/o un retroceso brusco peligroso, lo que podría ocasionar heridas de gravedad al operario de la herramienta.
- Siempre use protección para los ojos o gafas de seguridad antes de la operación.



1. Empuñadura delantera
2. Empuñadura trasera
3. Base

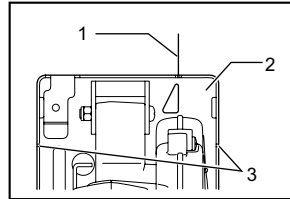
007531

Sujete la herramienta firmemente. La herramienta está provista de empuñadura frontal y trasera. Utilice ambas para una mejor sujeción de la herramienta. Si ambas manos están sujetando la herramienta, éstas no podrán sufrir de algún corte por el disco. Coloque la base de la pieza de trabajo a ser cortada sin que haga contacto con el disco cortador. Luego encienda la herramienta y espere hasta que la éste adquiera velocidad completa. Ahora simplemente mueva la herramienta sobre la superficie de la pieza de trabajo, manteniéndola plana y avanzándola suavemente hasta finalizar el corte.

Para obtener cortes limpios, mantenga el corte en línea recta, así como la velocidad de avance uniforme. Si el corte no logra conservar la línea de corte que se pretendía, no intente girar ni forzar la herramienta hacia la línea de corte. Hacerlo podría atascar el disco y ocasionar un retroceso brusco de la herramienta causando graves lesiones. Suelte el interruptor, espere a que el disco se

detenga y después retire la herramienta. Vuelva a alinear la herramienta sobre una nueva línea de corte, y comience a cortar de nuevo. Procure evitar repositionar la herramienta lo cual expone al operador a las partículas y residuos que se expulsan de la misma. Use protección para los ojos para evitar lesiones.

Las ranuras de visión en la base facilitan la revisión de la distancia entre el borde frontal del disco y la pieza de trabajo en cualquier momento en que el disco se ajusta a una profundidad máxima de corte.



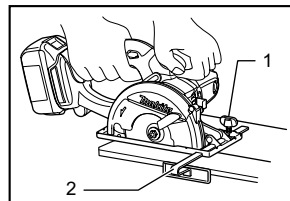
1. Línea de corte
2. Base
3. Ranuras de visión

007534

## ⚠PRECAUCIÓN:

- No utilice una hoja deformada o dañada. Reemplácela con otra nueva.
- No apile materiales cuando los corte.
- No corte acero endurecido, acero inoxidable, madera, plásticos, concreto, azulejo, etc. **Corte sólo acero bajo en carbono (dulce) y aluminio.**
- No toque el disco, la pieza de trabajo ni los residuos del corte con sus manos descubiertas inmediatamente después del corte, ya que puede que estén extremadamente calientes y podrían quemarle la piel.
- **Siempre use los discos apropiados para su trabajo.** El uso de discos inapropiados puede que ocasionen un pobre rendimiento en el corte y/o puede que presenten un riesgo de lesiones personales.

## Guía lateral (regla guía) (accesorio)



1. Tornillo de fijación
2. Tope lateral de corte (regla de guía)

007532

La útil guía lateral le permite hacer cortes rectos extra-precisos. Simplemente saque la guía lateral deslizándola hasta ajustarla bien contra el costado de la pieza de trabajo y sujétela en posición con el tornillo de la parte delantera de la base. Con ella también se pueden hacer cortes repetidos de anchura uniforme.



## MANTENIMIENTO

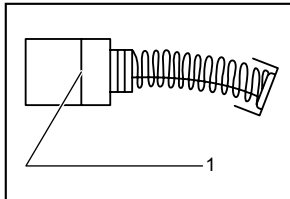
### ⚠PRECAUCIÓN:

- Asegúrese siempre de que la herramienta esté apagada y el cartucho de batería extraído antes de intentar realizar una inspección o mantenimiento.
- **Limpie los protectores superior e inferior para asegurar que no haya aserrín acumulado, lo cual puede que impida la operación del sistema inferior de protección.** Un sistema de protección sucio puede que limite la operación adecuada, lo cual podría resultar en graves lesiones al operador. La forma más eficaz de lograr esto es limpiando con aire comprimido. **Si el aserrín está siendo eliminado con aire que se sopla contra los protectores, asegúrese de usar protector para los ojos, al igual que un respirador.**
- Nunca use gasolina, bencina, diluyente (tiner), alcohol o sustancias similares. Puede que esto ocasione grietas o descoloramiento.

### Inspección del disco

- Verifique cuidadosamente que la hoja no esté quebrada o dañada antes y después de usarla. Reemplace inmediatamente la hoja cuando ésta se encuentre rota o dañada.
- Si continua utilizando una hoja desafilada, podría producirse un retroceso brusco peligroso y/o la sobrecarga del motor. Reemplácela con una hoja nueva en cuanto note que no corta bien.
- **Los discos para la cortadora de metal pueden volverse a afilar.**

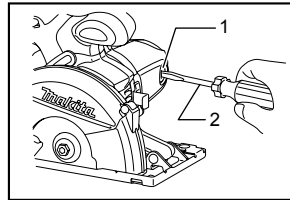
### Reemplazamiento de las escobillas de carbón



1. Marca límite

001145

Extraiga e inspeccione regularmente las escobillas de carbón. Sustitúyalas cuando se hayan gastado hasta la marca límite. Mantenga las escobillas de carbón limpias de forma que entren libremente en los portaescobillas. Ambas escobillas de carbón deberán ser sustituidas al mismo tiempo. Utilice únicamente escobillas de carbón originales e idénticas.



1. Tapa del carbón  
2. Destornillador

007533

Utilice un destornillador para quitar Tapa del carbón. Extraiga las escobillas gastadas, inserte las nuevas y vuelva a colocar las tapas.

Después de reemplazar las escobillas, inserte el cartucho de batería en la herramienta y hágale el rodaje a las escobillas haciendo funcionar la herramienta sin carga durante 1 minuto aproximadamente. Después compruebe la herramienta mientras está en marcha y la operación del freno eléctrico cuando suelte el gatillo interruptor. Si el freno eléctrico no funciona bien, pida a su centro de servicio Makita local que se lo repare.

Para mantener la SEGURIDAD y FIABILIDAD del producto, las reparaciones, y cualquier otra tarea de mantenimiento o ajuste deberán ser realizadas en Centros de Servicio Autorizados por Makita, empleando siempre repuestos Makita.

## ACCESORIOS OPCIONALES

### ⚠PRECAUCIÓN:

- Estos accesorios o acoplamientos están recomendados para utilizar con su herramienta Makita especificada en este manual. El empleo de cualesquiera otros accesorios o acoplamientos conllevará un riesgo de sufrir heridas personales. Utilice los accesorios o acoplamientos solamente para su fin establecido.

Si necesita cualquier ayuda para más detalles en relación con estos accesorios, pregunte a su centro de servicio Makita local.

- Discos de punta de carburo
- Guía lateral (Regla guía)
- Tornillo mariposa M5 x 20
- Resorte de compresión 6
- Llave hexagonal de 5
- Gafas de protección
- Batería y cargador originales de Makita

### NOTA:

- Algunos de los artículos en la lista puede que vengan junto con el paquete de la herramienta como accesorios incluidos. Puede que estos accesorios varíen de país a país.

---

## **GARANTÍA LIMITADA MAKITA DE UN AÑO**

### **Ésta Garantía no aplica para México**

#### **Política de garantía**

Cada herramienta Makita es inspeccionada y probada exhaustivamente antes de salir de fábrica. Se garantiza que va a estar libre de defectos de mano de obra y materiales por el periodo de UN AÑO a partir de la fecha de adquisición original. Si durante este periodo de un año se desarrollase algún problema, retorne la herramienta COMPLETA, porte pagado con antelación, a una de las fábricas o centros de servicio autorizados Makita. Si la inspección muestra que el problema ha sido causado por mano de obra o material defectuoso, Makita la reparará (o a nuestra opción, reemplazará) sin cobrar.

Esta garantía no será aplicable cuando:

- se hayan hecho o intentado hacer reparaciones por otros:
- se requieran reparaciones debido al desgaste normal:
- la herramienta haya sido abusada, mal usada o mantenido indebidamente:
- se hayan hecho alteraciones a la herramienta.

EN NINGÚN CASO MAKITA SE HARÁ RESPONSABLE DE NINGÚN DAÑO INDIRECTO, FORTUITO O CONSECUENCIAL DERIVADO DE LA VENTA O USO DEL PRODUCTO.

ESTA RENUNCIA SERÁ APLICABLE TANTO DURANTE COMO DESPUÉS DEL TÉRMINO DE ESTA GARANTÍA.

MAKITA RENUNCIA LA RESPONSABILIDAD POR CUALQUIER GARANTÍA IMPLÍCITA, INCLUYENDO GARANTÍAS IMPLÍCITAS DE "COMERCIALIDAD" E "IDONEIDAD PARA UN FIN ESPECÍFICO", DESPUÉS DEL TÉRMINO DE UN AÑO DE ESTA GARANTÍA.

Esta garantía le concede a usted derechos legales específicos, y usted podrá tener también otros derechos que varían de un estado a otro. Algunos estados no permiten la exclusión o limitación de daños fortuitos o consecuenciales, por lo que es posible que la antedicha limitación o exclusión no le sea de aplicación a usted. Algunos estados no permiten limitación sobre la duración de una garantía implícita, por lo que es posible que la antedicha limitación no le sea de aplicación a usted.

EN0006-1



< USA only >

# WARNING

Some dust created by power sanding, sawing, grinding, drilling, and other construction activities contains chemicals known to the State of California to cause cancer, birth defects or other reproductive harm. Some examples of these chemicals are:

- lead from lead-based paints,
- crystalline silica from bricks and cement and other masonry products, and
- arsenic and chromium from chemically-treated lumber.

Your risk from these exposures varies, depending on how often you do this type of work. To reduce your exposure to these chemicals: work in a well ventilated area, and work with approved safety equipment, such as those dust masks that are specially designed to filter out microscopic particles.

< Sólo en los Estados Unidos >

# ADVERTENCIA

Algunos polvos creados por el lijado, aserrado, esmerilado, taladrado y otras actividades de la construcción contienen sustancias químicas reconocidas por el Estado de California como causantes de cáncer, defectos de nacimiento y otros peligros de reproducción. Algunos ejemplos de estos productos químicos son:

- plomo de pinturas a base de plomo,
- sílice cristalino de ladrillos y cemento y otros productos de albañilería, y
- arsénico y cromo de maderas tratadas químicamente.

El riesgo al que se expone varía, dependiendo de la frecuencia con la que realice este tipo de trabajo. Para reducir la exposición a estos productos químicos: trabaje en un área bien ventilada y póngase el equipo de seguridad indicado, tal como las máscaras contra polvo que están especialmente diseñadas para filtrar partículas microscópicas.

**Makita Corporation**

3-11-8, Sumiyoshi-cho,  
Anjo, Aichi 446-8502 Japan



**GB** Rechargeable Flashlight

**Instruction manual**

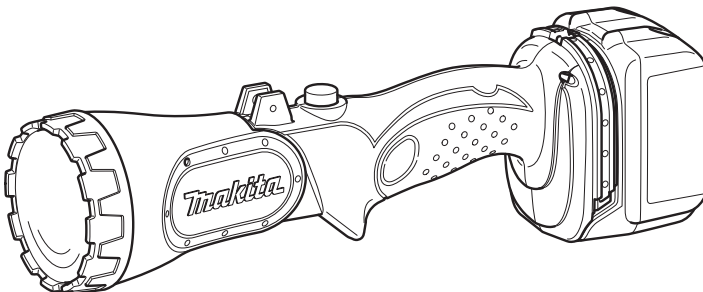
**F** Lampe torche

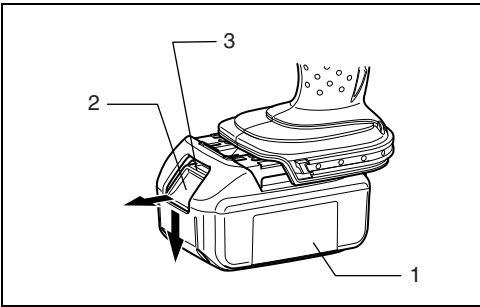
**Manuel d'instructions**

**E** Linterna recargable

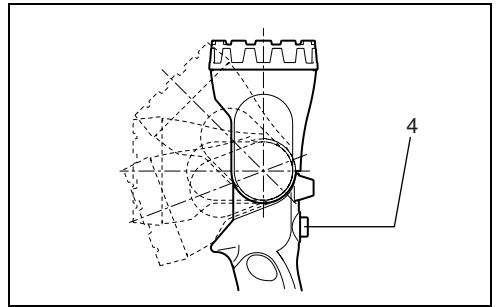
**Manual de instrucciones**

## **DML145/DML185**

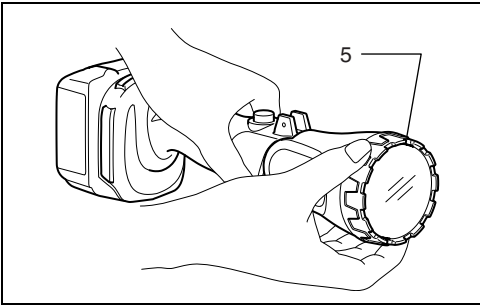




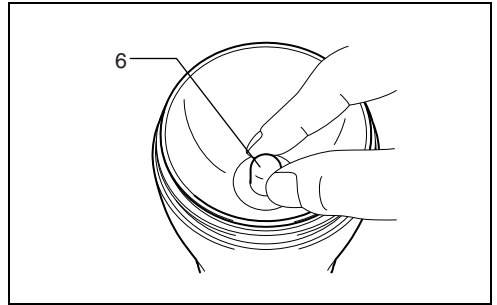
1



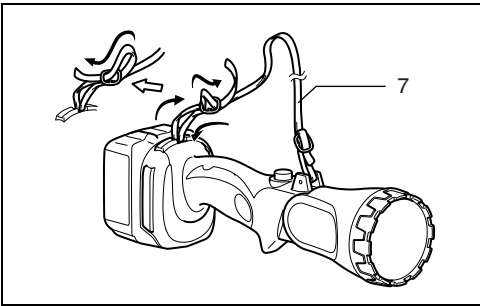
2



3



4



5

## Symbols

The following show the symbols used for the equipment. Be sure that you understand their meaning before use.

## Symboles

Les symboles utilisés pour l'appareil sont indiqués ci-dessous. Assurez-vous d'avoir bien compris leur signification avant l'utilisation.

## Símbolos

Se utilizan los siguientes símbolos para el equipo. Asegúrese de que comprende su significado antes del uso.



- Read instruction manual.
- Veuillez lire le manuel d'instructions.
- Lea el manual de instrucciones.



- Do not touch the bulb which is hot in use or immediately after putting on light. You may get burnt.
- Évitez de toucher l'ampoule lorsque la lampe est allumée. Vous risqueriez de vous brûler.
- No toque la bombilla, que está muy caliente, mientras la utiliza o inmediatamente después de encender la luz. Puede sufrir quemaduras.

## ENGLISH

### Explanation of general view

1. Battery cartridge
2. Button
3. Red part
4. Switch
5. Ring
6. Bulb
7. Shoulder strap

## SPECIFICATIONS

Model		DML145	DML185
Bulb		12 V 0.7 A	18 V 0.6 A
Dimensions (without battery)	L	284 mm (11 - 1/8")	284 mm (11 - 1/8")
	W	84 mm (3 - 5/16")	84 mm (3 - 5/16")
	H	96 mm (3 - 3/4")	96 mm (3 - 3/4")
Net weight (with battery)	BL1415/BL1415N	0.66 kg (1.44 lbs)	
	BL1430/BL1440	0.85 kg (1.87 lbs)	
	BL1815/BL1815N/BL1820		0.71 kg (1.57 lbs)
	BL1830/BL1840		0.96 kg (2.12 lbs)

- Due to our continuing program of research and development, the specifications herein are subject to change without notice.
- Note: Specifications may differ from country to country.

## IMPORTANT SAFETY INSTRUCTIONS

### **WARNING:**

When using electric tools, basic safety precautions should always be followed to reduce the risk of fire, electric shock, and personal injury, including the following:

## READ ALL INSTRUCTIONS.

1. Read this instruction manual and the charger instruction manual carefully before use.
2. This flashlight is not waterproof. Do not use it in damp or wet locations. Do not expose it to rain or snow. Do not wash it in water.
3. A short-circuit can cause a large current flow, overheating, possible burns and even a breakdown.
  - (1) Do not touch the inside of the flashlight head with tweezers, metal tools, etc.
  - (2) Do not touch the battery terminals with any conductive material.
  - (3) Avoid storing the battery cartridge in a container with any metal objects such as nails, coins, etc.
4. Never expose the battery cartridge to flames, fire or great heat. Breakage may cause release of injurious material.
5. If electrolyte gets into your eyes, rinse them out with clear water and seek medical attention right away. It may result in loss of your eyesight.
6. If operating time has become excessively shorter, stop operating immediately. It may result in a risk of overheating, possible burns and even an explosion.
7. Be careful not to drop, shake or strike battery.
8. When the tool is not in use, always switch off and remove the battery cartridge from the tool.

9. Do not store the tool and battery cartridge in locations where the temperature may reach or exceed 50°C (122°F).
10. Do not give the tool a shock by dropping, striking, etc.
11. Do not expose the light to eyes continuously. It may hurt them.
12. Do not cover or clog the lit tool with cloth or carton, etc. It may create a risk of fire.
13. Switch off the light immediately when the lamp gets dark in use. If you leave the lamp switched on, the battery cartridge capacity may decrease.
14. Do not disassemble the charger or battery cartridge; take it to a qualified serviceman when service or repair is required. Incorrect reassembly may result in a risk of electric shock or fire.
15. If any problem develops, consult your nearest Makita Service Center or dealer. To maintain product safety and reliability, repairs, maintenance or adjustment should be carried out by Makita Authorized Service Center.

## SAVE THESE INSTRUCTIONS.

## FUNCTIONAL DESCRIPTION

### **Charging**

Charge the battery cartridge with the Makita charger before use.

### **Installing or removing battery cartridge (Fig. 1)**

- Always switch off the tool before insertion or removal of the battery cartridge.
- To remove the battery cartridge, withdraw it from the tool while sliding the button on the front of the cartridge.



- To insert the battery cartridge, align the tongue on the battery cartridge with the groove in the housing and slip it into place. Always insert it all the way until it locks in place with a little click. If you can see the red part on the upper side of the button, it is not locked completely. Insert it fully until the red part cannot be seen. If not, it may accidentally fall out of the tool, causing injury to you or someone around you.
- Do not use force when inserting the battery cartridge. If the cartridge does not slide in easily, it is not being inserted correctly.

## Lighting up the bulb (Fig. 2)

### CAUTION:

- Do not look in the light or see the source of light directly.
- This tool has function that bulb light goes out at low voltage. At this time, recharge the battery cartridge.

Push the switch to light up the bulb. To turn off, push the switch again.

The following tables indicate the operating time on a single charge.

Model	Voltage	Battery cartridge	Operating time
DML145	14.4V	BL1415	Approx. 100 min
		BL1415N	Approx. 130 min
		BL1430	Approx. 220 min
		BL1440	Approx. 340 min
DML185	18V	BL1815	Approx. 110 min
		BL1815N	Approx. 130 min
		BL1820	Approx. 180 min
		BL1830	Approx. 240 min
		BL1840	Approx. 340 min

## Head angle (Fig. 2)

The head angle can be adjusted in four stages. Adjust as desired.

## ASSEMBLY

### Replacing bulb (Fig. 3 & 4)

#### CAUTION:

The bulb is very hot immediately after operation. Wait until the bulb cools off before attempting to replace it.

First, turn the ring counterclockwise and remove the reflector. Then replace the bulb.

### Shoulder strap (Fig. 5)

Install the strap on the tool.

## MAINTENANCE

To maintain product safety and reliability, repairs, maintenance or adjustment should be carried out by a Makita Authorized Service Center.

## ACCESSORIES

### CAUTION:

These accessories or attachments are recommended for use with your Makita tool specified in this manual. The use of any other accessories or attachments might present a risk of injury to persons. The accessories or attachments should be used only in the proper and intended manner.

- Bulb set (2 pcs.)
- Shoulder strap
- Various type of Makita genuine batteries and chargers

- |                 |                 |                |
|-----------------|-----------------|----------------|
| 1. Batterie     | 4. Interrupteur | 7. Bandoulière |
| 2. Bouton       | 5. Anneau       |                |
| 3. Partie rouge | 6. Ampoule      |                |

## SPÉCIFICATIONS

Modèle		DML145	DML185
Ampoule		12 V 0,7 A	18 V 0,6 A
Dimensions (sans batterie)	L	284 mm (11 - 1/8")	284 mm (11 - 1/8")
	P	84 mm (3 - 5/16")	84 mm (3 - 5/16")
	H	96 mm (3 - 3/4")	96 mm (3 - 3/4")
Poids net (incluant la batterie)	BL1415/BL1415N	0,66 kg (1,44 lbs)	
	BL1430/BL1440	0,85 kg (1,87 lbs)	
	BL1815/BL1815N/BL1820		0,71 kg (1,57 lbs)
	BL1830/BL1840		0,96 kg (2,12 lbs)

- En raison de l'évolution constante de notre programme de recherche et développement, les spécifications du présent manuel sont sujettes à modification sans préavis.
- Note : Les spécifications peuvent varier d'un pays à l'autre.

## IMPORTANTES CONSIGNES DE SÉCURITÉ

### MISE EN GARDE :

Lors de l'utilisation des outils électriques, vous devez toujours prendre des précautions de base en matière de sécurité, afin de réduire les risques d'incendie, de choc électrique et de blessure. Ces précautions comprennent les suivantes :

## LISEZ TOUTES LES INSTRUCTIONS.

1. Avant l'utilisation, lisez attentivement le manuel d'instructions de l'outil et celui du chargeur.
2. Cette lampe de poche n'est pas à l'épreuve de l'eau. Ne l'utilisez pas dans les endroits humides ou mouillés. Évitez de l'exposer à la pluie ou à la neige. Ne la lavez pas à l'eau.
3. Un court-circuit pourrait provoquer un fort courant, une surchauffe et même une panne, et vos risques de vous brûler en cas de surchauffe.
  - (1) Ne touchez pas l'intérieur de la lampe de poche avec des brucelles ou tout autre outil en métal.
  - (2) Ne touchez les bornes de batterie avec aucun matériau conducteur.
  - (3) Évitez de ranger la batterie dans un contenant où se trouvent des objets métalliques tels que des clous, des pièces de monnaie, etc.
4. N'exposez jamais la batterie aux flammes, au feu ou à une source de chaleur intense. Des matériaux nocifs peuvent être libérés en cas de rupture de la batterie.
5. Si de l'électrolyte pénètre dans vos yeux, rincez-les à l'eau claire et consultez un médecin sans tarder. Il y a risque de perte de la vue.

6. Cessez immédiatement l'utilisation si le temps de fonctionnement devient excessivement court. Il y a risque de surchauffe et de brûlures, voire d'explosion.
7. Évitez d'échapper, secouer ou heurter la batterie.
8. Après l'utilisation de l'outil, vous devez toujours couper le contact et retirer la batterie.
9. Ne rangez pas l'outil ni la batterie là où la température risque d'atteindre ou dépasser 50°C (122°F).
10. Évitez de faire subir tout choc à l'outil en l'échappant, en le heurtant, etc.
11. Évitez toute exposition continue des yeux à la lumière de la lampe. Il y a risque de blessure.
12. Évitez de recouvrir ou boucher le dispositif d'éclairage avec un bout de chiffon, de carton, etc. Cela pourrait entraîner un risque d'incendie.
13. Lorsque la lampe faiblit en cours d'utilisation, éteignez-la immédiatement. La capacité de la batterie risque de diminuer si vous laissez la lampe allumée.
14. Évitez de démonter le chargeur ou la batterie ; apportez-les chez un réparateur agréé lorsque l'entretien ou la réparation est nécessaire. Un remontage incorrect peut causer un choc électrique ou un incendie.
15. Si un problème survient, consultez le Centre de service après-vente ou le revendeur Makita le plus près. Pour assurer la sûreté et la fiabilité du produit, les réparations, l'entretien ou le réglage doivent être confiés à un Centre de service après-vente Makita agréé.

## CONSERVEZ CES INSTRUCTIONS.

# DESCRIPTION DU FONCTIONNEMENT

## Charge

Avant l'utilisation, chargez la batterie avec le chargeur Makita.

## Installation et retrait de la batterie (Fig.1)

- Mettez toujours l'outil hors tension avant d'insérer ou de retirer la batterie.
- Pour retirer la batterie, sortez-la de l'outil tout en faisant glisser le bouton à l'avant de la batterie.
- Pour insérer la batterie, alignez sa languette sur la rainure qui se trouve à l'intérieur du boîtier, puis glissez-y la batterie pour la mettre en place. Insérez-la toujours bien à fond, jusqu'à ce qu'elle se verrouille en émettant un léger clic. Si vous pouvez voir la partie rouge sur la face supérieure du bouton, la batterie n'est pas parfaitement verrouillée. Insérez-la à fond, jusqu'à ce que la partie rouge ne soit plus visible. Autrement, la batterie peut tomber accidentellement de l'outil, avec un risque de blessure pour vous ou toute personne se trouvant près de vous.
- N'appliquez pas une force excessive pour insérer la batterie. Si la batterie ne glisse pas aisément, c'est qu'elle n'est pas insérée correctement.

## Allumage de l'ampoule (Fig. 2)

### ATTENTION :

- Évitez de regarder directement la lumière ou la source de lumière.
- Cet outil est équipé d'une fonction pour éteindre la lumière de l'ampoule lorsque la tension est basse. Il faut alors recharger la batterie.

Appuyez sur l'interrupteur pour allumer l'ampoule. Pour l'éteindre, appuyez à nouveau sur l'interrupteur.

Le tableau suivant indique le temps de fonctionnement avec une charge unique.

Modèle	Tension	Batterie	Temps de fonctionnement
DML145	14,4 V	BL1415	Environ 100 min
		BL1415N	Environ 130 min
		BL1430	Environ 220 min
		BL1440	Environ 340 min
DML185	18 V	BL1815	Environ 110 min
		BL1815N	Environ 130 min
		BL1820	Environ 180 min
		BL1830	Environ 240 min
		BL1840	Environ 340 min

## Angle de tête (Fig. 2)

L'angle de tête peut être réglé sur l'une ou l'autre de quatre positions. Réglez-le selon vos besoins.

## ASSEMBLAGE

### Remplacement de l'ampoule (Fig. 3 et 4)

#### ATTENTION :

L'ampoule est très chaude immédiatement après l'utilisation. Attendez que l'ampoule ait refroidi avant de la remplacer.

Tournez d'abord l'anneau dans le sens inverse des aiguilles d'une montre, puis retirez le réflecteur. Remplacez ensuite l'ampoule.

### Bandoulière (Fig. 5)

Installez la bandoulière sur l'outil.

## ENTRETIEN

Pour assurer la sûreté et la fiabilité du produit, les réparations, l'entretien ou le réglage doivent être confiés à un Centre de service après-vente Makita agréé.

## ACCESSOIRES

### ATTENTION :

Ces accessoires ou pièces complémentaires sont recommandés pour l'utilisation avec l'outil Makita spécifié dans ce manuel. L'utilisation de tout autre accessoire ou pièce complémentaire peut comporter un risque de blessure. Ces accessoires ou pièces complémentaires doivent être utilisés correctement, de la façon prévue.

- Ampoules (2)
- Bandoulière
- Divers types de batteries et chargeurs Makita authentiques.

**Explicación de los dibujos**

- |                           |                |                        |
|---------------------------|----------------|------------------------|
| 1. Cartucho de la batería | 4. Interruptor | 7. Correa de bandolera |
| 2. Botón                  | 5. Anillo      |                        |
| 3. Parte roja             | 6. Bombilla    |                        |

**ESPECIFICACIONES**

Modelo		DML145	DML185
Bombilla		12 V 0,7 A	18 V 0,6 A
Dimensiones (sin batería)	Largo	284 mm (11 - 1/8")	284 mm (11 - 1/8")
	Ancho	84 mm (3 - 5/16")	84 mm (3 - 5/16")
	Alto	96 mm (3 - 3/4")	96 mm (3 - 3/4")
Peso neto (con batería)	BL1415/BL1415N	0,66 kg (1,44 lbs)	
	BL1430/BL1440	0,85 kg (1,87 lbs)	
	BL1815/BL1815N/BL1820		0,71 kg (1,57 lbs)
	BL1830/BL1840		0,96 kg (2,12 lbs)

- Debido a nuestro programa continuo de investigación y desarrollo, las especificaciones aquí descritas están sujetas a cambios sin previo aviso.
- Nota: las especificaciones pueden ser diferentes de un país a otro.

**INSTRUCCIONES IMPORTANTES DE SEGURIDAD**

**ADVERTENCIA:**

Cuando se utilicen herramientas eléctricas siempre deben seguirse precauciones de seguridad para reducir el riesgo de fuego, descargas eléctricas y lesiones personales, incluyendo las siguientes:

**LEA TODAS LAS INSTRUCCIONES**

1. Lea este manual de instrucciones y el manual de instrucciones del cargador antes de su uso.
2. Esta linterna no es impermeable. No la utilice en lugares húmedos o mojados. No la exponga a la lluvia o a la nieve. No la limpie con agua.
3. Un cortocircuito puede provocar un elevado flujo de corriente, sobrecalentamiento, quemaduras o incluso una avería.
  - (1) No toque el interior de la cabeza de la linterna con pinzas, herramientas metálicas, etc.
  - (2) No toque los terminales de la batería con materiales conductores.
  - (3) Evite guardar el cartucho de la batería en un recipiente con objetos metálicos, como clavos, monedas, etc.
4. Nunca exponga el cartucho de la batería a llamas, fuego o calor elevado. Si se rompe se pueden liberar materiales dañinos.
5. Si se produce contacto ocular con electrolito, enjuáguese los ojos con agua limpia y acuda de urgencia al médico. Corre el riesgo de perder la visión.
6. Si el tiempo de funcionamiento es excesivamente corto, deje de utilizar la herramienta de inmediato. De lo contrario, existe el riesgo de sobrecalentamiento, quemaduras e incluso explosión.
7. Procure que la batería no sufra golpes, vibraciones ni caídas.
8. Cuando no utilice la herramienta, apáguela siempre y extraiga el cartucho de la batería de la herramienta.
9. No almacene la herramienta ni el cartucho de la batería en lugares donde la temperatura supere los 50 °C (122°F).
10. No someta la herramienta a golpes dejándola caer o golpeándola, etc.
11. No oriente la luz a los ojos continuamente. Puede dañarlos.
12. No cubra ni tape la herramienta encendida con trapos, cartones, etc. Puede provocar un riesgo de fuego.
13. Apague la luz inmediatamente si la lámpara se apaga durante su uso. Si deja la lámpara encendida, la capacidad del cartucho de la batería se puede reducir.
14. No desmonte el cargador o el cartucho de la batería; llévelos a un servicio de reparación cualificado cuando sea necesario revisarlos o repararlos. Un montaje incorrecto puede tener como resultado un riesgo de descarga eléctrica o fuego.
15. Si surge cualquier problema, consulte con su distribuidor o con el centro de asistencia técnica de Makita más cercano. Para mantener la seguridad y la fiabilidad, las reparaciones, mantenimientos o ajustes debe realizarlos un centro de servicio técnico autorizado por Makita.

**GUARDE ESTAS INSTRUCCIONES.**

# DESCRIPCIÓN DEL FUNCIONAMIENTO

## Carga

Cargue el cartucho de la batería con el cargador de Makita antes de su uso.

## Instalación o extracción del cartucho de la batería (Fig. 1)

- Apague siempre la herramienta antes de insertar o extraer el cartucho de la batería.
- Para extraer el cartucho de la batería, quítelo de la herramienta al mismo tiempo que desliza el botón situado en la parte frontal del cartucho.
- Para insertar el cartucho de la batería, alinee la lengüeta situada en el cartucho de la batería con la ranura del alojamiento e insértela. Insértela completamente hasta que quede firmemente sujeta y se bloquee con un clic. Si puede ver la parte roja de la zona superior del botón, significa que el cartucho no está completamente bloqueado. Insértelo completamente hasta que la parte roja quede oculta. De lo contrario, el cartucho puede desprenderse accidentalmente de la herramienta y causar lesiones al operario o a alguna persona que se encuentre cerca.
- No haga fuerza al insertar el cartucho de la batería. Si no se inserta suavemente, significa que no lo está instalando correctamente.

## Encendido de la bombilla (Fig. 2)

### PRECAUCIÓN:

- No mire hacia la luz ni mire directamente la fuente de luz.
- Esta herramienta incorpora una función que apaga la bombilla cuando la tensión es baja. Cuando esto suceda, recargue el cartucho de la batería.

Presione el interruptor para encender la bombilla. Para apagarla, vuelva a presionar el interruptor.

Las siguientes tablas indican el tiempo de funcionamiento de una sola carga.

Modelo	Tensión	Cartucho de la batería	Tiempo de funcionamiento
DML145	14,4 V	BL1415	Apróx. 100 min
		BL1415N	Apróx. 130 min
		BL1430	Apróx. 220 min
		BL1440	Apróx. 340 min
DML185	18 V	BL1815	Apróx. 110 min
		BL1815N	Apróx. 130 min
		BL1820	Apróx. 180 min
		BL1830	Apróx. 240 min
		BL1840	Apróx. 340 min

## Ángulo de la cabeza (Fig. 2)

El ángulo de la cabeza se puede ajustar en cuatro posiciones. Ajustelo como desee.

## MONTAJE

### Sustitución de la bombilla (Fig. 3 y 4)

#### PRECAUCIÓN:

La bombilla está muy caliente inmediatamente después de su uso. Espere hasta que se enfríe la bombilla antes de intentar sustituirla.

Primero gire el anillo en sentido contrario a las agujas del reloj y extraiga el reflector. A continuación, sustituya la bombilla.

### Correa de bandolera (Fig. 5)

Instale la correa en la herramienta.

## MANTENIMIENTO

Para mantener la seguridad y la fiabilidad, las reparaciones, mantenimientos o ajustes debe realizarlos un centro de servicio técnico autorizado por Makita.

## ACCESORIOS

### PRECAUCIÓN:

Se recomienda el uso de estos accesorios o complementos con la herramienta Makita especificada en este manual. El uso de otros accesorios o complementos puede conllevar el riesgo de ocasionar daños corporales. Los accesorios o complementos sólo deben usarse de una manera correcta y para la que se diseñaron.

- Juego de bombillas (2 piezas)
- Correa de bandolera
- Diversos tipos de baterías y cargadores originales de Makita





**Makita Corporation**  
3-11-8, Sumiyoshi-cho,  
Anjo, Aichi 446-8502 Japan

885246-944

[www.makita.com](http://www.makita.com)

ALA





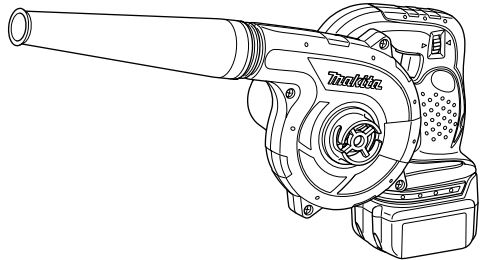
INSTRUCTION MANUAL  
MANUEL D'INSTRUCTION  
MANUAL DE INSTRUCCIONES

# Cordless Blower

## ASPIRO / SOUFFLEUR (SANS FIL)

### Sopladora Inalámbrica

DUB142  
DUB182



008308

**IMPORTANT:** Read Before Using.  
**IMPORTANT:** Lire avant usage.  
**IMPORTANTE:** Leer antes de usar.

## ENGLISH (Original instructions)

# SPECIFICATIONS

Model		DUB142		DUB182	
Capacities	Air pressure (water column)	0 - 550 mm (21-5/8")			
	Air volume	0 - 2.6 m <sup>3</sup> /min			
No load speed (RPM)		0 - 18,000 /min			
Overall length		507 mm (20")	509 mm (20")	523 mm (20-5/8")	525 mm (20-3/4")
Net weight		1.6 kg (3.5 lbs)	1.8 kg (3.9 lbs)	1.6 kg (3.6 lbs)	1.9 kg (4.1 lbs)
Rated voltage		D.C. 14.4 V		D.C. 18 V	
Standard battery cartridges		BL 1415 / BL1415N	BL1430 / BL1440 / BL1450	BL1815 / BL1815N / BL1820	BL1830 / BL1840 / BL1850

- Due to our continuing program of research and development, the specifications herein are subject to change without notice.
- Specifications and battery cartridge may differ from country to country.
- Weight, with battery cartridge, according to EPTA-Procedure 01/2003

USA008-1

## IMPORTANT SAFETY INSTRUCTIONS

When using an electrical appliance, basic precautions should always be followed, including the following:

### READ ALL INSTRUCTIONS.

### BEFORE USING THIS APPLIANCE

**WARNING** - To reduce the risk of fire or injury:

1. Do not leave appliance when battery fitted. Remove battery from appliance when not in use and before servicing.
2. Do not expose to rain. Store indoors.
3. Do not allow to be used as a toy. Close attention is necessary when used by or near children.
4. Use only as described in this manual. Use only manufacturer's recommended attachments.
5. Do not use with damaged battery. If appliance is not working as it should, has been dropped, damaged, left outdoors, or dropped into water, return it to a service center.
6. Do not put any object into openings. Do not use with any opening blocked; keep free of dust, lint, hair, and anything that may reduce air flow.
7. Keep hair, loose clothing, fingers, and all parts of body away from openings and moving parts.
8. Use extra care when cleaning on stairs.
9. Do not use to pick up flammable or combustible liquids, such as gasoline, or use in areas where they may be present.
10. Use only the charger supplied by the manufacturer to recharge.
11. Do not pick up anything that is burning or smoking, such as cigarettes, matches, or hot ashes.

12. Do not use without dust bag in place when collecting dust.

## SAVE THESE INSTRUCTIONS.

This appliance is intended for household use.

USB032-2

## SPECIFIC SAFETY RULES

DO NOT let comfort or familiarity with product (gained from repeated use) replace strict adherence to cordless blower safety rules. If you use this tool unsafely or incorrectly, you can suffer serious personal injury.

1. Be aware that this tool is always in an operating condition, because it does not have to be plugged into an electrical outlet.
2. Always use protective goggles, a cap and mask when using the blower. Ordinary eye or sun glasses are NOT safety glasses.
3. Never point the nozzle at anyone in the vicinity when using the blower.
4. Always use the dust bag when collecting dust, chips and the like.
5. Do not collect still smoldering cigarette ashes, freshly cut metals shavings, screws, nails and the like.
6. Never block suction inlet and/or blower outlet. Increased motor revolution may cause dangerous fan breakage.
7. AVOID UNINTENTIONAL STARTING. Do not carry battery fitted tool with finger on switch. Be sure switch is OFF when insert the battery.
8. Some material contains chemicals which may be toxic. Take caution to prevent dust inhalation and skin contact. Follow material supplier safety data.

## SAVE THESE INSTRUCTIONS.

**⚠WARNING:**

**MISUSE** or failure to follow the safety rules stated in this instruction manual may cause serious personal injury.

ENC007-5

## IMPORTANT SAFETY INSTRUCTIONS

### FOR BATTERY CARTRIDGE

- Before using battery cartridge, read all instructions and cautionary markings on (1) battery charger, (2) battery, and (3) product using battery.
- Do not disassemble battery cartridge.
- If operating time has become excessively shorter, stop operating immediately. It may result in a risk of overheating, possible burns and even an explosion.
- If electrolyte gets into your eyes, rinse them out with clear water and seek medical attention right away. It may result in loss of your eyesight.
- Do not short the battery cartridge:
  - Do not touch the terminals with any conductive material.
  - Avoid storing battery cartridge in a container with other metal objects such as nails, coins, etc.
  - Do not expose battery cartridge to water or rain.  
A battery short can cause a large current flow, overheating, possible burns and even a breakdown.
- Do not store the tool and battery cartridge in locations where the temperature may reach or exceed 50 ° C (122 ° F).
- Do not incinerate the battery cartridge even if it is severely damaged or is completely worn out. The battery cartridge can explode in a fire.
- Be careful not to drop or strike battery.
- Do not use a damaged battery.

## SAVE THESE INSTRUCTIONS.

### Tips for maintaining maximum battery life

- Charge the battery cartridge before completely discharged.  
Always stop tool operation and charge the battery cartridge when you notice less tool power.
- Never recharge a fully charged battery cartridge.  
Overcharging shortens the battery service life.
- Charge the battery cartridge with room temperature at 10 ° C - 40 ° C (50 ° F - 104 ° F). Let a hot battery cartridge cool down before charging it.

## Symbols

The followings show the symbols used for tool.

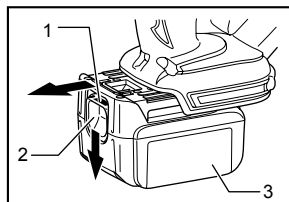
- |                    |   |   |
|--------------------|---|---|
| v                  | · | volts                                   |
| ≡                  | · | direct current                          |
| n <sub>0</sub>     | · | no load speed                           |
| ... /min<br>r /min | · | revolutions or reciprocation per minute |

## FUNCTIONAL DESCRIPTION

**⚠CAUTION:**

- Always be sure that the tool is switched off and the battery cartridge is removed before adjusting or checking function on the tool.

### Installing or removing battery cartridge



- Red part
- Button
- Battery cartridge

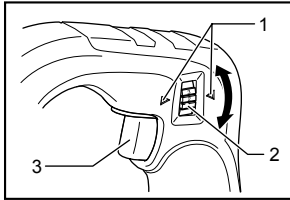
008309

- Always switch off the tool before insertion or removal of the battery cartridge.
- To remove the battery cartridge, withdraw it from the tool while pressing the buttons on both sides of the cartridge.
- To insert the battery cartridge, align the tongue on the battery cartridge with the groove in the housing and slip it into place. Always insert it all the way until it locks in place with a little click. If not, it may accidentally fall out of the tool, causing injury to you or someone around you.
- Do not use force when inserting the battery cartridge. If the cartridge does not slide in easily, it is not being inserted correctly.

### Switch action

**⚠CAUTION:**

- Before inserting the battery cartridge into the tool, always check to see that the switch trigger actuates properly and returns to the "OFF" position when released.



1. Pointer
2. Air volume adjusting dial
3. Switch trigger

008313

To start the tool, simply pull the switch trigger. Air volume is increased by increasing pressure on the switch trigger. Release the switch trigger to stop.

#### Air volume adjusting dial

Air volume can be adjusted to any of three settings by turning the adjusting dial with the switch trigger fully depressed. Refer to the table below for the relationship between the number on the dial and the air volume.

Number on the dial	Air volume
3	High
2	Medium
1	Low

008312

#### CAUTION:

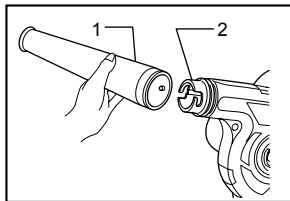
- Use the adjusting dial only after the switch trigger returns to the "OFF" position. Turning the dial before the trigger returns may damage the tool.
- If the tool is operated continuously until the battery cartridge has discharged, rest the tool for at least 15 minutes before proceeding with a fresh battery.

## ASSEMBLY

#### CAUTION:

- Always be sure that the tool is switched off and the battery cartridge is removed before carrying out any work on the tool.

#### Blowing



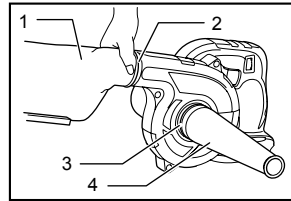
1. Nozzle
2. Blower outlet

008310

For dust blowing, attach nozzle to blower outlet, turning clockwise to lock it in place.

To remove the nozzle, turn it counterclockwise.

## Dust suction

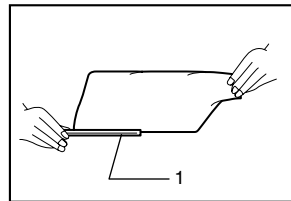


1. Dust bag
2. Blower outlet
3. Suction inlet
4. Nozzle

012984

For dust suction, fit nozzle onto suction inlet and dust bag onto blower outlet.

After the bag fills with dust, empty the contents of the dust bag into a dust bin by releasing the fastener.



1. Fastener

007170

#### CAUTION:

- Empty the dust bag before it becomes too full, or the suction force weakens.

#### NOTICE:

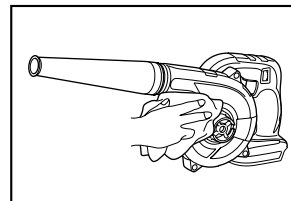
The garden nozzle (optional accessory) is intended for blowing use only. Do not use garden nozzle for suction.

## MAINTENANCE

#### CAUTION:

- Always be sure that the tool is switched off and the battery cartridge is removed before attempting to perform inspection or maintenance.
- Never use gasoline, benzene, thinner, alcohol or the like. Discoloration, deformation or cracks may result.

#### Cleaning



012985

From time to time, wipe off the outside of the tool using a cloth dampened in soapy water. Never use gasoline, thinner or the like, or discoloration and/or cracks can take place.

To maintain product SAFETY and RELIABILITY, repairs, any other maintenance or adjustment should be performed by Makita Authorized or Factory Service Centers, always using Makita replacement parts.

## OPTIONAL ACCESSORIES

### CAUTION:

- These accessories or attachments are recommended for use with your Makita tool specified in this manual. The use of any other accessories or attachments might present a risk of injury to persons. Only use accessory or attachment for its stated purpose.

If you need any assistance for more details regarding these accessories, ask your local Makita Service Center.

- Nozzle
- Garden nozzle
- Dust bag
- Corner nozzle
- Straight pipe
- Flexible hose
- Joint
- Makita genuine battery and charger

### NOTICE:

The garden nozzle is intended for blowing use only. Do not use garden nozzle for suction. Debris may become clogged and result in damaging the blower.

### NOTE:

- Some items in the list may be included in the tool package as standard accessories. They may differ from country to country.

## MAKITA LIMITED ONE YEAR WARRANTY

### Warranty Policy

Every Makita tool is thoroughly inspected and tested before leaving the factory. It is warranted to be free of defects from workmanship and materials for the period of ONE YEAR from the date of original purchase. Should any trouble develop during this one year period, return the COMPLETE tool, freight prepaid, to one of Makita's Factory or Authorized Service Centers. If inspection shows the trouble is caused by defective workmanship or material, Makita will repair (or at our option, replace) without charge.

This Warranty does not apply where:

- repairs have been made or attempted by others:
- repairs are required because of normal wear and tear:
- the tool has been abused, misused or improperly maintained:
- alterations have been made to the tool.

IN NO EVENT SHALL MAKITA BE LIABLE FOR ANY INDIRECT, INCIDENTAL OR CONSEQUENTIAL DAMAGES FROM THE SALE OR USE OF THE PRODUCT. THIS DISCLAIMER APPLIES BOTH DURING AND AFTER THE TERM OF THIS WARRANTY.

MAKITA DISCLAIMS LIABILITY FOR ANY IMPLIED WARRANTIES, INCLUDING IMPLIED WARRANTIES OF "MERCHANTABILITY" AND "FITNESS FOR A SPECIFIC PURPOSE," AFTER THE ONE YEAR TERM OF THIS WARRANTY.

This Warranty gives you specific legal rights, and you may also have other rights which vary from state to state. Some states do not allow the exclusion or limitation of incidental or consequential damages, so the above limitation or exclusion may not apply to you. Some states do not allow limitation on how long an implied warranty lasts, so the above limitation may not apply to you.

EN0006-1

## SPÉCIFICATIONS

Modèle		DUB142		DUB182	
Capacités	Pression d'air (colonne d'eau)	0 - 550 mm (21-5/8")			
	Volume d'air	0 - 2,6 m <sup>3</sup> /min			
Vitesse à vide (T/MIN)		0 - 18 000 /min			
Longueur totale		507 mm (20")	509 mm (20")	523 mm (20-5/8")	525 mm (20-3/4")
Poids net		1,6 kg (3,5 lbs)	1,8 kg (3,9 lbs)	1,6 kg (3,6 lbs)	1,9 kg (4,1 lbs)
Tension nominale		C.C. 14,4 V		C.C. 18 V	
Batteries standard		BL 1415 / BL1415N	BL1430 / BL1440 / BL1450	BL1815 / BL1815N / BL1820	BL1830 / BL1840 / BL1850

- Étant donné l'évolution constante de notre programme de recherche et de développement, les spécifications contenues dans ce manuel sont sujettes à modification sans préavis.
- Les caractéristiques techniques et la batterie peuvent varier suivant les pays.
- Poids, batterie comprise, conforme à la procédure EPTA de 01/2003

USA008-1

## CONSIGNES DE SÉCURITÉ IMPORTANTES

Lors de l'utilisation d'un appareil électrique, vous devez toujours prendre des précautions de base, dont les suivantes:

### LISEZ TOUTES LES INSTRUCTIONS.

### AVANT D'UTILISER CET APPAREIL

**AVERTISSEMENT** - Pour réduire les risques d'incendie et de blessure :

1. Ne quittez pas l'appareil alors que la batterie y est insérée. Retirez la batterie de l'appareil après l'utilisation et avant de le faire réparer.
2. Ne l'exposez pas à la pluie. Rangez-le à l'intérieur.
3. Ne laissez pas les enfants l'utiliser comme jouet. Une attention particulière est nécessaire lors de l'utilisation par les enfants ou à proximité des enfants.
4. Utilisez l'outil uniquement de la façon décrite dans ce manuel. Utilisez uniquement les accessoires recommandés par le fabricant.
5. Ne l'utilisez pas avec une batterie endommagée. Si l'appareil ne fonctionne pas bien, s'il a été échappé, endommagé, laissé à l'extérieur ou échappé dans l'eau, retournez-le à un centre de service après-vente.
6. Ne mettez rien dans les ouvertures. N'utilisez jamais l'outil si une des ouvertures est bouchée ; gardez ces dernières exemptes de poussières, charpies, cheveux ou tout objet pouvant réduire la circulation de l'air.

7. Gardez les cheveux, les vêtements amples, les doigts et toute autre partie du corps à l'écart des ouvertures et des pièces en mouvement.
8. Soyez tout particulièrement prudent lorsque vous nettoyez sur les marches d'un escalier.
9. Ne l'utilisez pas pour aspirer des liquides inflammables ou combustibles tels que l'essence, ou dans des zones où de tels liquides peuvent être présents.
10. Utilisez uniquement le chargeur fourni par le fabricant pour recharger la batterie.
11. N'aspirez aucun objet qui brûle ou dégage de la fumée, comme par exemple des cigarettes, des allumettes ou des cendres encore chaudes.
12. N'utilisez pas l'appareil sans avoir d'abord installé le sac à poussières.

## CONSERVEZ CE MODE D'EMPLOI.

Cet appareil est conçu pour un usage domestique.

USB032-2

## RÈGLES DE SÉCURITÉ PARTICULIÈRES

NE vous laissez PAS tromper (au fil d'une utilisation répétée) par un sentiment d'aisance et de familiarité avec le produit, en négligeant le respect rigoureux des consignes de sécurité qui accompagnent le souffleur sans fil. Si vous n'utilisez pas cet outil de façon sûre et adéquate, vous courez un risque de blessure grave.

1. Soyez bien conscient du fait que l'outil est constamment en état de marche, car il n'a pas à être raccordé à une prise d'alimentation.

2. Portez toujours des lunettes de sécurité, un casque et un masque antipoussières lorsque vous utilisez le souffleur. Les lunettes ordinaires et les lunettes de soleil ne sont PAS des lunettes de sécurité.
3. Ne pointez jamais la buse vers les personnes présentes lorsque vous utilisez le souffleur.
4. Utilisez toujours le sac à poussière lorsque vous aspirez des poussières, copeaux et matières similaires.
5. N'aspirez pas les cendres de cigarette fumantes, les copeaux de métal fraîchement coupés, les vis, les clous et objets similaires.
6. Ne bouchez jamais l'entrée d'aspiration et/ou la sortie d'air du souffleur. L'accélération du moteur pourrait entraîner un dangereux bris du ventilateur.
7. **ÉVITEZ LES DÉMARRAGES ACCIDENTELS.** Ne posez pas le doigt sur la gâchette pour transporter un outil dans lequel la batterie est insérée. N'oubliez pas de mettre l'interrupteur en position d'arrêt avant d'insérer la batterie.
8. Certains matériaux contiennent des produits chimiques qui peuvent être toxiques. Prenez les précautions nécessaires pour éviter l'inhalation de ces poussières ou leur contact avec la peau. Conformez-vous aux consignes de sécurité du fournisseur du matériau.
5. **Ne court-circuitez pas la batterie :**
  - (1) Ne touchez les bornes avec aucun matériau conducteur.
  - (2) Évitez de ranger la batterie dans un conteneur avec d'autres objets métalliques, par exemple des clous, des pièces de monnaie, etc.
  - (3) N'exposez pas la batterie à l'eau ou à la pluie.  
Un court-circuit de la batterie pourrait provoquer un fort courant, une surchauffe, parfois des brûlures et même une panne.
6. Ne rangez pas l'outil ou la batterie dans des endroits où la température risque d'atteindre ou de dépasser 50 ° C (122 ° F).
7. Ne jetez pas la batterie au feu même si elle est sérieusement endommagée ou complètement épuisée. La batterie peut exploser au contact du feu.
8. Prenez garde d'échapper ou de heurter la batterie.
9. N'utilisez pas une batterie si elle est endommagée.

## CONSERVEZ CE MODE D'EMPLOI.

### ⚠ AVERTISSEMENT:

Une MAUVAISE UTILISATION de l'outil ou l'ignorance des consignes de sécurité du présent manuel d'instructions peuvent entraîner une grave blessure.

ENC007-5

## CONSIGNES DE SÉCURITÉ IMPORTANTES

### POUR LA BATTERIE

1. Avant d'utiliser la batterie, lisez toutes les instructions et précautions relatives (1) au chargeur de batterie, (2) à la batterie, et (3) à l'outil utilisant la batterie.
2. Ne démontez pas la batterie.
3. Cessez immédiatement l'utilisation si le temps de fonctionnement devient excessivement court. Il y a un risque de surchauffe, de brûlures, voire d'explosion.
4. Si l'électrolyte pénètre dans vos yeux, rincez-les à l'eau claire et consultez immédiatement un médecin. Il y a un risque de perte de la vue.

## CONSERVEZ CE MODE D'EMPLOI.

### Conseils pour obtenir la durée de service maximale de la batterie

1. Rechargez la batterie avant qu'elle ne soit complètement déchargée.  
Arrêtez toujours l'outil et rechargez la batterie quand vous remarquez que la puissance de l'outil diminue.
2. Ne rechargez jamais une batterie complètement chargée.  
La surcharge réduit la durée de service de la batterie.
3. Rechargez la batterie à une température ambiante comprise entre 10 ° C et 40 ° C (50 ° F - 104 ° F). Si la batterie est chaude, laissez-la refroidir avant de la recharger.

USD301-1

## Symboles

Les symboles utilisés pour l'outil sont indiqués ci-dessous.

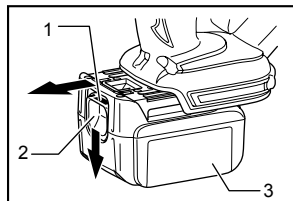
v	·	volts
—	·	courant continu
n <sub>o</sub>	·	vitesse à vide
... /min	·	tours ou alternances par minute
r /min		

## DESCRIPTION DU FONCTIONNEMENT

### ⚠ ATTENTION:

- Assurez-vous toujours que l'outil est hors tension et que sa batterie est retirée avant de l'ajuster ou de vérifier son fonctionnement.

### Installation ou retrait de la batterie



- Partie rouge
- Bouton
- Batterie

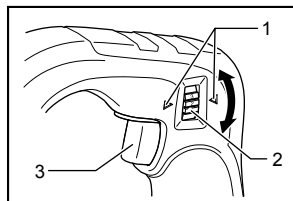
008309

- Mettez toujours l'outil hors tension avant d'insérer ou de retirer la batterie.
- Pour retirer la batterie, sortez-la de l'outil tout en appuyant sur les boutons des deux côtés de la batterie.
- Pour insérer la batterie, alignez sa languette sur l'entaille qui se trouve à l'intérieur du carter, puis glissez la batterie pour la mettre en place. Insérez-la toujours bien à fond, jusqu'à ce qu'elle se verrouille en émettant un léger bruit sec. Sinon, elle risque de tomber accidentellement de l'outil, en vous blessant ou en blessant une personne qui se trouve près de vous.
- N'appliquez pas une force excessive lors de l'insertion de la batterie. Si la batterie ne glisse pas aisément, c'est qu'elle n'est pas insérée correctement.

### Interrupteur

### ⚠ ATTENTION:

- Avant d'insérer la batterie dans l'outil, vérifiez toujours que la gâchette fonctionne bien et revient en position d'arrêt lorsque relâchée.



- Index
- Sélecteur de volume d'air
- Gâchette

008313

Pour faire démarrer l'outil, appuyez simplement sur la gâchette. Le volume d'air augmente à mesure que vous augmentez la pression sur la gâchette. Pour arrêter l'outil, relâchez la gâchette.

### Sélecteur de volume d'air

Il est possible de choisir l'un ou l'autre des trois réglages du volume d'air en tournant le sélecteur avec la gâchette entièrement enfoncée. Reportez-vous au tableau ci-dessous pour connaître le lien entre le chiffre sur le sélecteur et le volume d'air.

Chiffre sur le sélecteur	Volume d'air
3	Grande
2	Moyenne
1	Bas

008312

### ⚠ ATTENTION:

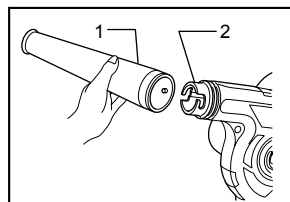
- Utilisez le sélecteur seulement après que la gâchette est retournée à la position d'arrêt. L'outil risque d'être endommagé si le sélecteur est tourné avant que la gâchette ne soit retournée.
- Si l'outil est utilisé de façon continue jusqu'à ce que la batterie ne soit déchargée, laissez l'outil en arrêt pendant au moins 15 minutes avant de le remettre en marche avec une nouvelle batterie.

## ASSEMBLAGE

### ⚠ ATTENTION:

- Assurez-vous toujours que l'outil est hors tension et que sa batterie est retirée avant d'effectuer tout travail dessus.

### Soufflage



- Buse
- Sortie d'air du souffleur

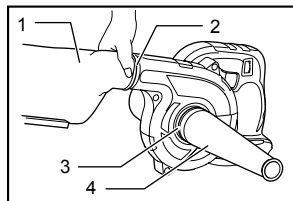
008310

Pour souffler les poussières, fixez le bec à poussières à la prise de sortie de la soufflerie, en tournant dans le sens des aiguilles d'une montre pour le verrouiller en place.

Pour retirer le bec à poussières, faites-le tourner dans le sens contraire des aiguilles d'une montre.



## Aspiration des poussières

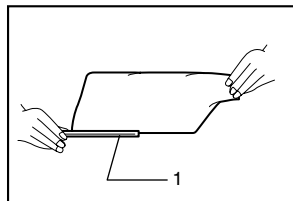


012984

Pour aspirer les poussières, insérez le bec à poussières dans la prise d'aspiration et le sac à poussières dans la prise de sortie de la soufflerie.

Lorsque le sac est rempli de poussières, ouvrez la glissière pour le vider dans une poubelle.

1. Sac à poussières
2. Sortie d'air du souffleur
3. Entrée d'aspiration
4. Buse



007170

### ⚠ ATTENTION:

- Videz le sac à poussières avant qu'il ne soit trop plein, autrement la capacité d'aspiration diminuera.

### AVIS :

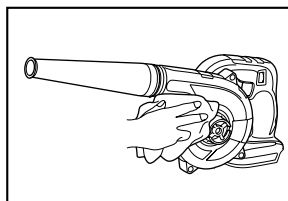
Le bec souffleur de jardin (accessoire en option) est destiné au soufflage seulement. N'utilisez pas le bec souffleur de jardin pour l'aspiration.

## ENTRETIEN

### ⚠ ATTENTION:

- Assurez-vous toujours que l'outil est hors tension et que la batterie est retirée avant d'y effectuer tout travail d'inspection ou d'entretien.
- N'utilisez jamais d'essence, de benzine, de solvant, d'alcool ou d'autres produits similaires. Une décoloration, une déformation, ou la formation de fissures peuvent en découler.

## Nettoyage



012985

De temps à autre, essayez la surface extérieure de l'outil à l'aide d'un chiffon trempé dans une eau savonneuse. N'utilisez jamais d'essence, de diluant ou tout liquide similaire, pour éviter la décoloration et/ou les fissures. Pour maintenir la SÉCURITÉ et la FIABILITÉ du produit, les réparations, tout autre travail d'entretien ou de réglage doivent être effectués dans un centre de service Makita agréé ou un centre de service de l'usine Makita, exclusivement avec des pièces de rechange Makita.

## ACCESSOIRES EN OPTION

### ⚠ ATTENTION:

- Ces accessoires ou pièces complémentaires sont recommandés pour l'utilisation avec l'outil Makita spécifié dans ce mode d'emploi. L'utilisation de tout autre accessoire ou pièce complémentaire peut comporter un risque de blessure. N'utilisez les accessoires ou pièces qu'aux fins auxquelles ils ont été conçus.

Si vous désirez obtenir plus de détails concernant ces accessoires, veuillez contacter le centre de service après-vente Makita le plus près.

- Buse
- Bec souffleur de jardin
- Sac à poussières
- Buse à angle
- Tuyau rectiligne
- Tuyau flexible
- Raccord
- Chargeur et batterie authentiques Makita

### AVIS :

Le bec souffleur de jardin est destiné au soufflage seulement. N'utilisez pas le bec souffleur de jardin pour l'aspiration. Des débris pourraient s'accumuler, bouchant et endommageant le souffleur.

### NOTE:

- Certains éléments de la liste peuvent être inclus avec l'outil comme accessoires standard. Ils peuvent varier suivant les pays.

---

## **GARANTIE LIMITÉE D'UN AN MAKITA**

### **Politique de garantie**

Chaque outil Makita est inspecté rigoureusement et testé avant sa sortie d'usine. Nous garantissons qu'il sera exempt de défaut de fabrication et de vice de matériau pour une période d'UN AN à partir de la date de son achat initial. Si un problème quelconque devait survenir au cours de cette période d'un an, veuillez retourner l'outil COMPLET, port payé, à une usine ou à un centre de service après-vente Makita. Makita réparera l'outil gratuitement (ou le remplacera, à sa discrétion) si un défaut de fabrication ou un vice de matériau est découvert lors de l'inspection.

Cette garantie ne s'applique pas dans les cas où:

- des réparations ont été effectuées ou tentées par un tiers:
- des réparations s'imposent suite à une usure normale:
- l'outil a été malmené, mal utilisé ou mal entretenu:
- l'outil a subi des modifications.

MAKITA DÉCLINE TOUTE RESPONSABILITÉ POUR TOUT DOMMAGE ACCESSOIRE OU INDIRECT LIÉ À LA VENTE OU À L'UTILISATION DU PRODUIT. CET AVIS DE NON-RESPONSABILITÉ S'APPLIQUE À LA FOIS PENDANT ET APRÈS LA PÉRIODE COUVERTE PAR CETTE GARANTIE.

MAKITA DÉCLINE TOUTE RESPONSABILITÉ QUANT À TOUTE GARANTIE TACITE, INCLUANT LES GARANTIES TACITES DE "QUALITÉ MARCHANDE" ET "ADÉQUATION À UN USAGE PARTICULIER" APRÈS LA PÉRIODE D'UN AN COUVERTE PAR CETTE GARANTIE.

Cette garantie vous donne des droits spécifiques reconnus par la loi, et possiblement d'autres droits, qui varient d'un État à l'autre. Certains États ne permettant pas l'exclusion ou la limitation des dommages accessoires ou indirects, il se peut que la limitation ou exclusion ci-dessus ne s'applique pas à vous. Certains États ne permettant pas la limitation de la durée d'application d'une garantie tacite, il se peut que la limitation ci-dessus ne s'applique pas à vous.

EN0006-1

## ESPAÑOL (Instrucciones originales)

# ESPECIFICACIONES

Modelo		DUB142		DUB182	
Capacidades	Presión de aire (columna de agua)	0 - 550 mm (21-5/8")			
	Volumen de aire	0 - 2,6 m <sup>3</sup> /min			
Velocidad sin carga (r.p.m.)		0 - 18 000 r/min			
Longitud total		507 mm (20")	509 mm (20")	523 mm (20-5/8")	525 mm (20-3/4")
Peso neto		1,6 kg (3,5 lbs)	1,8 kg (3,9 lbs)	1,6 kg (3,6 lbs)	1,9 kg (4,1 lbs)
Tensión nominal		14,4 V c.c.		18 V c.c.	
Cartuchos de batería estándar		BL 1415 / BL1415N	BL1430 / BL1440 / BL1450	BL1815 / BL1815N / BL1820	BL1830 / BL1840 / BL1850

- Debido a nuestro programa continuo de investigación y desarrollo, las especificaciones aquí dadas están sujetas a cambios sin previo aviso.
- Las especificaciones y el cartucho de la batería pueden variar de país a país.
- Peso de acuerdo al procedimiento de EPTA-01/2003 incluyendo el cartucho de la batería

USA008-1

## INSTRUCCIONES IMPORTANTES DE SEGURIDAD

Al usar cualquier aparato eléctrico, siempre deben seguirse las precauciones básicas, incluyendo las siguientes:

## LEA TODAS LAS INSTRUCCIONES

### ANTES DE USAR ESTE APARATO

**ADVERTENCIA** - Para reducir el riesgo de incendio o lesión:

1. No deje el aparato con la batería puesta. Retire la batería del aparato cuando no lo use y antes de hacer algún mantenimiento.
2. No exponga el aparato a la lluvia. Almacene en interiores.
3. No permita que sea utilizado como un juguete. Se requiere de una supervisión cuidadosa durante el uso al haber niños cerca.
4. Use solamente como se describe en este manual. Sólo use aditamentos recomendados por el fabricante.
5. No use con batería dañada. Si el aparato no está funcionando como debiera, se ha dejado caer, se ha dañado, se ha dejado a la intemperie o ha caído sobre el agua, llévelo a un centro de servicio.
6. No coloque ningún objeto sobre las rendijas de ventilación. No use cuando cualquiera de las rendijas esté bloqueada; mantenga libre de polvo, hilachas, cabello y cualquier otra cosa que pudiera reducir el flujo de aire.

7. Mantenga el cabello suelto, la ropa holgada, las uñas y todas las partes del cuerpo alejadas de las rendijas y las partes móviles.
8. Tenga especial cuidado al estar limpiando sobre escaleras.
9. No use para recoger líquidos combustibles como gasolina, o para usarse en áreas donde éstos puedan estar presentes.
10. Use solo el cargador que se proporciona por el fabricante para recargar.
11. No recoja nada que esté quemándose o expidiendo humo, como cigarrillos, fósforos o cenizas calientes.
12. No use sin una bolsa recolectora de polvo colocada al estar recogiendo polvo.

## GUARDE ESTAS INSTRUCCIONES.

Este aparato está diseñado para un uso doméstico solamente.

USB032-2

## NORMAS ESPECÍFICAS DE SEGURIDAD

### Advertencias y precauciones

NO deje que la comodidad o familiaridad con el producto (a base de utilizarlo repetidamente) sustituya la estricta observancia de las normas de seguridad para el soplador a batería. Si utiliza esta herramienta de forma no segura o incorrecta, podrá sufrir graves lesiones personales.

1. Tenga presente que esta herramienta está siempre en condición de operación, porque no tiene que ser enchufada a una toma de corriente.

2. Siempre use gafas protectoras, gorra y máscara al usar la sopladora. Las gafas normales o las gafas de sol NO constituyen gafas de seguridad.
3. Nunca apunte la boquilla en dirección de alguna persona al estar de cerca durante el uso de la sopladora.
4. Siempre use la bolsa recolectora de polvo al estar recogiendo polvo, virutas y similares.
5. No recoja cenizas de cigarrillos que estén aún ardiendo, así como virutas metálicas recientemente cortadas, tornillos, clavos y similares.
6. Nunca obstruya el acceso de succión ni la boquilla del soplador. El aumento de revoluciones en el motor puede causar una rotura peligrosa del abanico.
7. EVITE EL ENCENDIDO ACCIDENTAL. No cargue la herramienta con el dedo en el interruptor al estar la batería puesta. Asegúrese de que el interruptor está en la posición de apagado ("OFF") al insertar la batería.
8. Algunos materiales contienen sustancias químicas que pueden ser tóxicas. Tome precauciones para evitar la inhalación de polvo o que éste tenga contacto con la piel. Consulte la información de seguridad del proveedor de los materiales.

## GUARDE ESTAS INSTRUCCIONES.

### ⚠ADVERTENCIA:

El USO INCORRECTO o el no seguir las normas de seguridad que se declaran en este instructivo podría resultar en lesiones personales graves.

ENC007-5

## INSTRUCCIONES IMPORTANTES DE SEGURIDAD

### PARA CARTUCHO DE BATERÍA

1. Antes de utilizar el cartucho de batería, lea todas las instrucciones e indicaciones de precaución sobre (1) el cargador de baterías, (2) la batería, y (3) el producto con el que se utiliza la batería.
2. No desarme el cartucho de batería.
3. Si el tiempo de operación se ha acortado en exceso, deje de operar de inmediato. Podría correrse el riesgo de sobrecalentamiento, posibles quemaduras e incluso explosión.
4. En caso de que ingresen electrolitos en sus ojos, enjuáguelos bien con agua limpia y consulte de inmediato a un médico. Podría perder la visión.
5. No cortocircuite el cartucho de batería:
  - (1) No toque las terminales con ningún material conductor.
  - (2) Evite guardar el cartucho de batería en un cajón junto con otros objetos metálicos, tales como clavos, monedas, etc.
  - (3) No exponga la batería al agua o a la lluvia. Si la batería entra en cortocircuito, puede causar sobrecalentamiento, un flujo de corriente mayor, quemaduras posibles e incluso una falla.
6. No guarde la herramienta ni el cartucho de batería en lugares donde la temperatura pueda alcanzar o exceder los 50 ° C (122 ° F).
7. Nunca incinere el cartucho de batería incluso en el caso de que esté dañado seriamente o ya no sirva en absoluto. El cartucho de batería puede explotar si se tira al fuego.
8. Tenga cuidado de no dejar caer ni golpear el cartucho de batería.
9. No use una batería dañada.

## GUARDE ESTAS INSTRUCCIONES.

### Consejos para alargar al máximo la vida útil de la batería

1. Cargue el cartucho de batería antes de que se descargue completamente. Pare siempre la operación y cargue el cartucho de batería cuando note menos potencia en la herramienta.
2. No cargue nunca un cartucho de batería que esté completamente cargado. La sobrecarga acortará la vida de servicio de la batería.
3. Cargue el cartucho de batería a temperatura ambiente de 10 ° C - 40 ° C (50 ° F - 104 ° F). Si un cartucho de batería está caliente, déjelo enfriar antes de cargarlo.

USD301-1

## Símbolos

A continuación se muestran los símbolos utilizados para la herramienta.

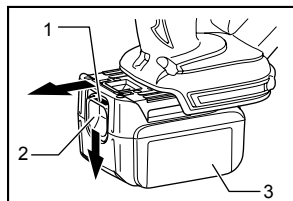
- |                |   |   |
|----------------|---|---|
| v              | · | volts o voltios   |
| —              | · | corriente directa o continua                                    |
| ...            | · | velocidad en vacío o sin carga                                  |
| n <sub>o</sub> | · | revoluciones o alternaciones por minuto, frecuencia de rotación |
| ... /min       | · |   |
| r /min         | · |   |

## DESCRIPCIÓN DEL FUNCIONAMIENTO

### ⚠️ PRECAUCIÓN:

- Asegúrese siempre de que la herramienta esté apagada y el cartucho de batería extraído antes de realizar cualquier ajuste o comprobación en la herramienta.

### Instalación o desmontaje del cartucho de batería



1. Parte roja
2. Botón
3. Cartucho de batería

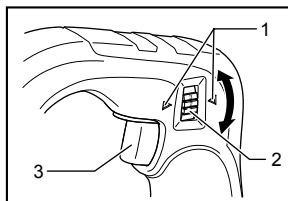
008309

- Apague siempre la herramienta antes de insertar o desmontar el cartucho de batería.
- Para extraer el cartucho de batería, sáquelo de la herramienta mientras presiona los botones a ambos lados del cartucho.
- Para insertar el cartucho de batería, alinee la lengüeta del cartucho de batería con la acanaladura en el alojamiento y deslícelo hasta que encaje en su sitio. Insértelo siempre a tope hasta que se bloquee en su sitio produciendo un pequeño clic. En caso contrario, podrá caerse accidentalmente de la herramienta y ocasionarle heridas a usted o a alguien que esté cerca de usted.
- No emplee fuerza cuando inserte el cartucho de batería. Si el cartucho no se desliza al interior fácilmente, será porque no se está insertando correctamente.

### Accionamiento del interruptor

### ⚠️ PRECAUCIÓN:

- Antes de insertar el cartucho de batería en la herramienta, compruebe siempre y cerciórese de que el gatillo interruptor se acciona debidamente y que vuelve a la posición "OFF"(apagado) cuando lo suelta.



1. Puntero
2. Selector de ajuste del volumen de aire
3. Gatillo interruptor

008313

Para iniciar la herramienta, sólo tiene que jalar el gatillo interruptor. El volumen de aire aumenta al incrementar la presión en el gatillo interruptor. Suelte el gatillo interruptor para parar la herramienta.

### Selector de ajuste del volumen de aire

El volumen de aire puede ajustarse en cualquiera de los tres ajustes al girar el selector de ajuste con el gatillo interruptor completamente presionado. Consulte la tabla a continuación para la relación entre el número en el selector y el volumen de aire.

Número en el selector de ajuste	Volumen de aire
3	Alta
2	Media
1	Baja

008312

### ⚠️ PRECAUCIÓN:

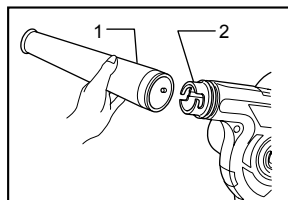
- Use el selector de ajuste sólo después de que el gatillo interruptor regrese a la posición de apagado "OFF". Girar el selector de ajuste antes de que el gatillo se reestablezca puede dañar la herramienta.
- Si la herramienta se utiliza continuamente hasta que se descargue el cartucho de la batería, deje reposar la herramienta por al menos 15 minutos antes de continuar con una batería recargada.

## ENSAMBLE

### ⚠️ PRECAUCIÓN:

- Asegúrese siempre de que la herramienta esté apagada y el cartucho de batería extraído antes de realizar cualquier trabajo en la misma.

### Soplado



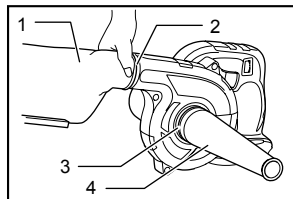
1. Boquilla
2. Toma del soplador

008310

Para el soplado de polvo, coloque la boquilla a la toma del soplador, girando en dirección de las agujas del reloj para fijar en su lugar.

Para quitar la boquilla, gire en sentido contrario a las agujas del reloj.

### Succión de polvo

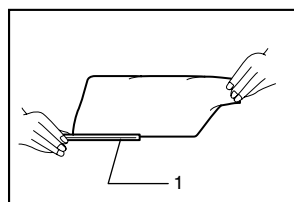


012984

Para la succión de polvo, encaje la boquilla en el acceso de succión y la bolsa recolectora de polvo en la toma del soplador.

Una vez que la bolsa se llene con el polvo, vacíe el contenido de la misma en algún basurero al soltar el sujetador.

1. Bolsa para polvo
2. Toma del soplador
3. Acceso de succión
4. Boquilla



007170

1. Sujetador

### ⚠PRECAUCIÓN:

- Vacíe la bolsa recolectora de polvo antes de que se llene, o la fuerza de succión se debilitará.

### AVISO:

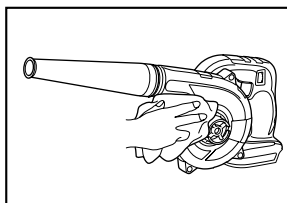
La boquilla de jardín (accesorio opcional) está diseñada para uso de soplido solamente. No use la boquilla de jardín para hacer succión.

## MANTENIMIENTO

### ⚠PRECAUCIÓN:

- Asegúrese siempre de que la herramienta esté apagada y el cartucho de batería extraído antes de intentar realizar una inspección o mantenimiento.
- Nunca use gasolina, bencina, diluyente (tíner), alcohol o sustancias similares. Puede que esto ocasione grietas o descoloramiento.

## Limpieza



012985

De vez en vez, limpie el exterior de la herramienta usando un paño húmedo y agua enjabonada. Nunca use gasolina, diluyente o algo similar que podría causar decoloración y/o grietas.

Para mantener la SEGURIDAD y FIABILIDAD del producto, las reparaciones, y cualquier otra tarea de mantenimiento o ajuste deberán ser realizadas en Centros de Servicio Autorizados por Makita, empleando siempre repuestos Makita.

## ACCESORIOS OPCIONALES

### ⚠PRECAUCIÓN:

- Estos accesorios o aditamentos (incluidos o no) están recomendados para utilizar con su herramienta Makita especificada en este manual. El empleo de cualesquiera otros accesorios o acoplamientos conllevará un riesgo de sufrir heridas personales. Utilice los accesorios o acoplamientos solamente para su fin establecido.

Si necesita cualquier ayuda para más detalles en relación con estos accesorios, pregunte a su centro de servicio Makita local.

- Boquilla
- Boquilla de jardín
- Bolsa recolectora de polvo
- Boquilla de esquina
- Pipa recta
- Manguera flexible
- Junta
- Batería y cargador originales de Makita

### AVISO:

La boquilla de jardín está diseñada para uso de soplido solamente. No use la boquilla de jardín para hacer succión. Hacerlo podría ocasionar que se genere una congestión con los residuos, resultando en averías para la sopladora.

### NOTA:

- Algunos de los artículos en la lista puede que vengan junto con el paquete de la herramienta como accesorios incluidos. Puede que estos accesorios varíen de país a país.

---

## **GARANTÍA LIMITADA MAKITA DE UN AÑO**

### **Ésta Garantía no aplica para México**

#### **Política de garantía**

Cada herramienta Makita es inspeccionada y probada exhaustivamente antes de salir de fábrica. Se garantiza que va a estar libre de defectos de mano de obra y materiales por el periodo de UN AÑO a partir de la fecha de adquisición original. Si durante este periodo de un año se desarrollase algún problema, retorne la herramienta COMPLETA, porte pagado con antelación, a una de las fábricas o centros de servicio autorizados Makita. Si la inspección muestra que el problema ha sido causado por mano de obra o material defectuoso, Makita la reparará (o a nuestra opción, reemplazará) sin cobrar.

Esta garantía no será aplicable cuando:

- se hayan hecho o intentado hacer reparaciones por otros:
- se requieran reparaciones debido al desgaste normal:
- la herramienta haya sido abusada, mal usada o mantenido indebidamente:
- se hayan hecho alteraciones a la herramienta.

EN NINGÚN CASO MAKITA SE HARÁ RESPONSABLE DE NINGÚN DAÑO INDIRECTO, FORTUITO O CONSECUENCIAL DERIVADO DE LA VENTA O USO DEL PRODUCTO.

ESTA RENUNCIA SERÁ APLICABLE TANTO DURANTE COMO DESPUÉS DEL TÉRMINO DE ESTA GARANTÍA.

MAKITA RENUNCIA LA RESPONSABILIDAD POR CUALQUIER GARANTÍA IMPLÍCITA, INCLUYENDO GARANTÍAS IMPLÍCITAS DE "COMERCIALIDAD" E "IDONEIDAD PARA UN FIN ESPECÍFICO", DESPUÉS DEL TÉRMINO DE UN AÑO DE ESTA GARANTÍA.

Esta garantía le concede a usted derechos legales específicos, y usted podrá tener también otros derechos que varían de un estado a otro. Algunos estados no permiten la exclusión o limitación de daños fortuitos o consecuenciales, por lo que es posible que la antedicha limitación o exclusión no le sea de aplicación a usted. Algunos estados no permiten limitación sobre la duración de una garantía implícita, por lo que es posible que la antedicha limitación no le sea de aplicación a usted.

EN0006-1

< USA only >

# WARNING

Some dust created by power sanding, sawing, grinding, drilling, and other construction activities contains chemicals known to the State of California to cause cancer, birth defects or other reproductive harm. Some examples of these chemicals are:

- lead from lead-based paints,
- crystalline silica from bricks and cement and other masonry products, and
- arsenic and chromium from chemically-treated lumber.

Your risk from these exposures varies, depending on how often you do this type of work. To reduce your exposure to these chemicals: work in a well ventilated area, and work with approved safety equipment, such as those dust masks that are specially designed to filter out microscopic particles.

< Sólo en los Estados Unidos >

# ADVERTENCIA

Algunos polvos creados por el lijado, aserrado, esmerilado, taladrado y otras actividades de la construcción contienen sustancias químicas reconocidas por el Estado de California como causantes de cáncer, defectos de nacimiento y otros peligros de reproducción. Algunos ejemplos de estos productos químicos son:

- plomo de pinturas a base de plomo,
- sílice cristalino de ladrillos y cemento y otros productos de albañilería, y
- arsénico y cromo de maderas tratadas químicamente.

El riesgo al que se expone varía, dependiendo de la frecuencia con la que realice este tipo de trabajo. Para reducir la exposición a estos productos químicos: trabaje en un área bien ventilada y póngase el equipo de seguridad indicado, tal como las máscaras contra polvo que están especialmente diseñadas para filtrar partículas microscópicas.

**Makita Corporation**

3-11-8, Sumiyoshi-cho,  
Anjo, Aichi 446-8502 Japan

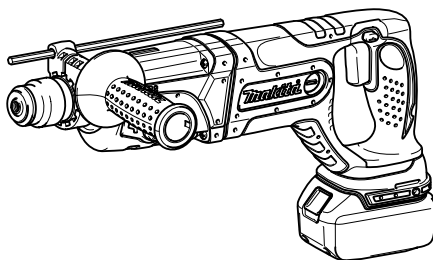


INSTRUCTION MANUAL  
MANUEL D'INSTRUCTION  
MANUAL DE INSTRUCCIONES



# Cordless Combination Hammer Marteau combiné sans fil Martillo Rotativo Combinado Inalámbrico

XRH04



009118

**IMPORTANT:** Read Before Using.  
**IMPORTANT:** Lire avant usage.  
**IMPORTANTE:** Leer antes de usar.

## ENGLISH (Original instructions)

# SPECIFICATIONS

Model		XRH04	
Capacities	Concrete	24 mm (15/16")	
	Steel	13 mm (1/2")	
	Wood	26 mm (1")	
No load speed (RPM)		0 - 1,200 /min	
Blows per minute		0 - 4,000	
Overall length		417 mm (16-3/8")	
Net weight		3.2 kg (7.1 lbs)	3.5 kg (7.7 lbs)
Rated voltage		D.C. 18 V	
Standard battery cartridges		BL1815N / BL1820	BL1830 / BL1840 / BL1850

- Due to our continuing program of research and development, the specifications herein are subject to change without notice.
- Specifications and battery cartridge may differ from country to country.
- Weight, with battery cartridge, according to EPTA-Procedure 01/2003

GEA006-2

## General Power Tool Safety Warnings

**⚠ WARNING** Read all safety warnings and all instructions. Failure to follow the warnings and instructions may result in electric shock, fire and/or serious injury.

## Save all warnings and instructions for future reference.

The term "power tool" in the warnings refers to your mains-operated (corded) power tool or battery-operated (cordless) power tool.

### Work area safety

1. **Keep work area clean and well lit.** Cluttered or dark areas invite accidents.
2. **Do not operate power tools in explosive atmospheres, such as in the presence of flammable liquids, gases or dust.** Power tools create sparks which may ignite the dust or fumes.
3. **Keep children and bystanders away while operating a power tool.** Distractions can cause you to lose control.

### Electrical safety

4. **Power tool plugs must match the outlet. Never modify the plug in any way. Do not use any adapter plugs with earthed (grounded) power tools.** Unmodified plugs and matching outlets will reduce risk of electric shock.
5. **Avoid body contact with earthed or grounded surfaces such as pipes, radiators, ranges and refrigerators.** There is an increased risk of electric shock if your body is earthed or grounded.
6. **Do not expose power tools to rain or wet conditions.** Water entering a power tool will increase the risk of electric shock.

7. **Do not abuse the cord. Never use the cord for carrying, pulling or unplugging the power tool. Keep cord away from heat, oil, sharp edges or moving parts.** Damaged or entangled cords increase the risk of electric shock.
8. **When operating a power tool outdoors, use an extension cord suitable for outdoor use.** Use of a cord suitable for outdoor use reduces the risk of electric shock.
9. **If operating a power tool in a damp location is unavoidable, use a ground fault circuit interrupter (GFCI) protected supply.** Use of an GFCI reduces the risk of electric shock.

### Personal safety

10. **Stay alert, watch what you are doing and use common sense when operating a power tool. Do not use a power tool while you are tired or under the influence of drugs, alcohol or medication.** A moment of inattention while operating power tools may result in serious personal injury.
11. **Use personal protective equipment. Always wear eye protection.** Protective equipment such as dust mask, non-skid safety shoes, hard hat, or hearing protection used for appropriate conditions will reduce personal injuries.
12. **Prevent unintentional starting. Ensure the switch is in the off-position before connecting to power source and/or battery pack, picking up or carrying the tool.** Carrying power tools with your finger on the switch or energising power tools that have the switch on invites accidents.
13. **Remove any adjusting key or wrench before turning the power tool on.** A wrench or a key left attached to a rotating part of the power tool may result in personal injury.

14. **Do not overreach. Keep proper footing and balance at all times.** This enables better control of the power tool in unexpected situations.
15. **Dress properly. Do not wear loose clothing or jewellery. Keep your hair, clothing, and gloves away from moving parts.** Loose clothes, jewellery or long hair can be caught in moving parts.
16. **If devices are provided for the connection of dust extraction and collection facilities, ensure these are connected and properly used.** Use of dust collection can reduce dust-related hazards.

#### Power tool use and care

17. **Do not force the power tool. Use the correct power tool for your application.** The correct power tool will do the job better and safer at the rate for which it was designed.
18. **Do not use the power tool if the switch does not turn it on and off.** Any power tool that cannot be controlled with the switch is dangerous and must be repaired.
19. **Disconnect the plug from the power source and/or the battery pack from the power tool before making any adjustments, changing accessories, or storing power tools.** Such preventive safety measures reduce the risk of starting the power tool accidentally.
20. **Store idle power tools out of the reach of children and do not allow persons unfamiliar with the power tool or these instructions to operate the power tool.** Power tools are dangerous in the hands of untrained users.
21. **Maintain power tools. Check for misalignment or binding of moving parts, breakage of parts and any other condition that may affect the power tool's operation. If damaged, have the power tool repaired before use.** Many accidents are caused by poorly maintained power tools.
22. **Keep cutting tools sharp and clean.** Properly maintained cutting tools with sharp cutting edges are less likely to bind and are easier to control.
23. **Use the power tool, accessories and tool bits etc. in accordance with these instructions, taking into account the working conditions and the work to be performed.** Use of the power tool for operations different from those intended could result in a hazardous situation.

#### Battery tool use and care

24. **Recharge only with the charger specified by the manufacturer.** A charger that is suitable for one type of battery pack may create a risk of fire when used with another battery pack.
25. **Use power tools only with specifically designated battery packs.** Use of any other battery packs may create a risk of injury and fire.

26. **When battery pack is not in use, keep it away from other metal objects, like paper clips, coins, keys, nails, screws or other small metal objects, that can make a connection from one terminal to another.** Shorting the battery terminals together may cause burns or a fire.
27. **Under abusive conditions, liquid may be ejected from the battery; avoid contact. If contact accidentally occurs, flush with water. If liquid contacts eyes, additionally seek medical help.** Liquid ejected from the battery may cause irritation or burns.

#### Service

28. **Have your power tool serviced by a qualified repair person using only identical replacement parts.** This will ensure that the safety of the power tool is maintained.
29. **Follow instruction for lubricating and changing accessories.**
30. **Keep handles dry, clean and free from oil and grease.**

GEB046-2

## CORDLESS ROTARY HAMMER SAFETY WARNINGS

1. **Wear ear protectors.** Exposure to noise can cause hearing loss.
2. **Use auxiliary handle(s), if supplied with the tool.** Loss of control can cause personal injury.
3. **Hold power tool by insulated gripping surfaces, when performing an operation where the cutting accessory may contact hidden wiring.** Cutting accessory contacting a "live" wire may make exposed metal parts of the power tool "live" and could give the operator an electric shock.
4. **Wear a hard hat (safety helmet), safety glasses and/or face shield. Ordinary eye or sun glasses are NOT safety glasses. It is also highly recommended that you wear a dust mask and thickly padded gloves.**
5. **Be sure the bit is secured in place before operation.**
6. **Under normal operation, the tool is designed to produce vibration. The screws can come loose easily, causing a breakdown or accident. Check tightness of screws carefully before operation.**
7. **In cold weather or when the tool has not been used for a long time, let the tool warm up for a while by operating it under no load. This will loosen up the lubrication. Without proper warm-up, hammering operation is difficult.**
8. **Always be sure you have a firm footing. Be sure no one is below when using the tool in high locations.**

9. Hold the tool firmly with both hands.
10. Keep hands away from moving parts.
11. Do not leave the tool running. Operate the tool only when hand-held.
12. Do not point the tool at any one in the area when operating. The bit could fly out and injure someone seriously.
13. Do not touch the bit or parts close to the bit immediately after operation; they may be extremely hot and could burn your skin.
14. Some material contains chemicals which may be toxic. Take caution to prevent dust inhalation and skin contact. Follow material supplier safety data.

## SAVE THESE INSTRUCTIONS.



### WARNING:

DO NOT let comfort or familiarity with product (gained from repeated use) replace strict adherence to safety rules for the subject product. MISUSE or failure to follow the safety rules stated in this instruction manual may cause serious personal injury.

USD302-1

## Symbols

The followings show the symbols used for tool.

- |   |   |   |
|---|---|---|
| v   | · | volts                                   |
|   | · | direct current                          |
| n <sub>0</sub>  | · | no load speed                           |
| ... /min<br>r /min  | · | revolutions or reciprocation per minute |
|  | · | number of blow                          |

ENC007-8

## IMPORTANT SAFETY INSTRUCTIONS

### FOR BATTERY CARTRIDGE

1. Before using battery cartridge, read all instructions and cautionary markings on (1) battery charger, (2) battery, and (3) product using battery.
  2. Do not disassemble battery cartridge.
  3. If operating time has become excessively shorter, stop operating immediately. It may result in a risk of overheating, possible burns and even an explosion.
  4. If electrolyte gets into your eyes, rinse them out with clear water and seek medical attention right away. It may result in loss of your eyesight.
5. Do not short the battery cartridge:
    - (1) Do not touch the terminals with any conductive material.
    - (2) Avoid storing battery cartridge in a container with other metal objects such as nails, coins, etc.
    - (3) Do not expose battery cartridge to water or rain.

A battery short can cause a large current flow, overheating, possible burns and even a breakdown.
  6. Do not store the tool and battery cartridge in locations where the temperature may reach or exceed 50 ° C (122 ° F).
  7. Do not incinerate the battery cartridge even if it is severely damaged or is completely worn out. The battery cartridge can explode in a fire.
  8. Be careful not to drop or strike battery.
  9. Do not use a damaged battery.
  10. Follow your local regulations relating to disposal of battery.

## SAVE THESE INSTRUCTIONS.

### Tips for maintaining maximum battery life

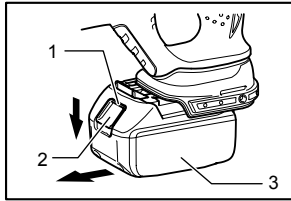
1. Charge the battery cartridge before completely discharged.  
Always stop tool operation and charge the battery cartridge when you notice less tool power.
2. Never recharge a fully charged battery cartridge.  
Overcharging shortens the battery service life.
3. Charge the battery cartridge with room temperature at 10 ° C - 40 ° C (50 ° F - 104 ° F). Let a hot battery cartridge cool down before charging it.
4. Charge the battery cartridge once in every six months if you do not use it for a long period of time.

## FUNCTIONAL DESCRIPTION

### ⚠CAUTION:

- Always be sure that the tool is switched off and the battery cartridge is removed before adjusting or checking function on the tool.

### Installing or removing battery cartridge



1. Red indicator
2. Button
3. Battery cartridge

012144

### ⚠CAUTION:

- Always switch off the tool before installing or removing the battery cartridge.
- **Hold the tool and the battery cartridge firmly when installing or removing battery cartridge.** Failure to hold the tool and the battery cartridge firmly may cause them to slip off your hands and result in damage to the tool and battery cartridge and a personal injury.

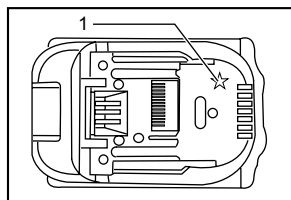
To remove the battery cartridge, slide it from the tool while sliding the button on the front of the cartridge.

To install the battery cartridge, align the tongue on the battery cartridge with the groove in the housing and slip it into place. Insert it all the way until it locks in place with a little click. If you can see the red indicator on the upper side of the button, it is not locked completely.

### ⚠CAUTION:

- Always install the battery cartridge fully until the red indicator cannot be seen. If not, it may accidentally fall out of the tool, causing injury to you or someone around you.
- Do not install the battery cartridge forcibly. If the cartridge does not slide in easily, it is not being inserted correctly.

### Battery protection system (Lithium-ion battery with star marking)



1. Star marking

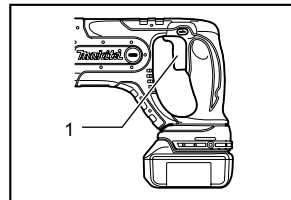
012128

Lithium-ion batteries with a star marking are equipped with a protection system. This system automatically cuts off power to the tool to extend battery life.

The tool will automatically stop during operation if the tool and/or battery are placed under one of the following conditions:

- **Overloaded:**  
The tool is operated in a manner that causes it to draw an abnormally high current. In this situation, release the trigger switch on the tool and stop the application that caused the tool to become overloaded. Then pull the trigger switch again to restart. If the tool does not start, the battery is overheated. In this situation, let the battery cool before pulling the trigger switch again.
- **Low battery voltage:**  
The remaining battery capacity is too low and the tool will not operate. In this situation, remove and recharge the battery.

### Switch action



1. Switch trigger

009120

### ⚠CAUTION:

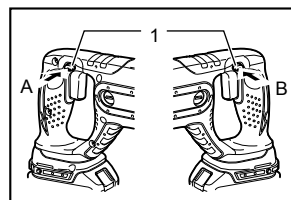
- Before inserting the battery cartridge into the tool, always check to see that the switch trigger actuates properly and returns to the "OFF" position when released.

To start the tool, simply pull the switch trigger. Tool speed is increased by increasing pressure on the switch trigger. Release the switch trigger to stop.

### Electric brake

This tool is equipped with an electric brake. If the tool consistently fails to quickly stop after switch trigger release, have tool serviced at a Makita service center.

### Reversing switch action



1. Reversing switch lever

009121

This tool has a reversing switch to change the direction of rotation. Depress the reversing switch lever from the A side for clockwise rotation or from the B side for counterclockwise rotation.

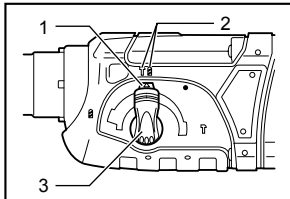
When the reversing switch lever is in the neutral position, the switch trigger cannot be pulled.

**⚠ CAUTION:**

- Always check the direction of rotation before operation.
- Use the reversing switch only after the tool comes to a complete stop. Changing the direction of rotation before the tool stops may damage the tool.
- When not operating the tool, always set the reversing switch lever to the neutral position.

**Selecting the action mode**

**Rotation with hammering**

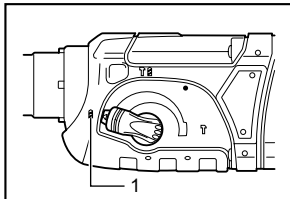


1. Lock button
2. Rotation with hammering
3. Action mode changing knob

009122

For drilling in concrete, masonry, etc., depress the lock button and rotate the action mode changing knob to the symbol. Use a tungsten-carbide tipped bit.

**Rotation only**

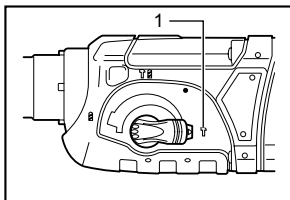


1. Rotation only

009123

For drilling in wood, metal or plastic materials, depress the lock button and rotate the action mode changing knob to the symbol. Use a twist drill bit or wood bit.

**Hammering only**



1. Hammering only

009124

For chipping, scaling or demolition operations, depress the lock button and rotate the action mode changing knob to the symbol. Use a bull point, cold chisel, scaling chisel, etc.

**⚠ CAUTION:**

- Do not rotate the action mode changing knob when the tool is running. The tool will be damaged.
- To avoid rapid wear on the mode change mechanism, be sure that the action mode changing knob is always positively located in one of the three action mode positions.

**Torque limiter**

The torque limiter will actuate when a certain torque level is reached. The motor will disengage from the output shaft. When this happens, the bit will stop turning.

**⚠ CAUTION:**

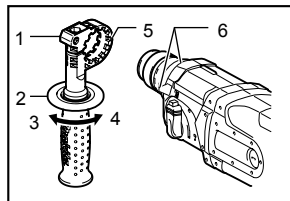
- As soon as the torque limiter actuates, switch off the tool immediately. This will help prevent premature wear of the tool.
- Hole saws cannot be used with this tool. They tend to pinch or catch easily in the hole. This will cause the torque limiter to actuate too frequently.

**ASSEMBLY**

**⚠ CAUTION:**

- Always be sure that the tool is switched off and the battery cartridge is removed before carrying out any work on the tool.

**Side grip (auxiliary handle)**



1. Grip base
2. Side grip
3. Loosen
4. Tighten
5. Teeth
6. Protrusion

009125

**⚠ CAUTION:**

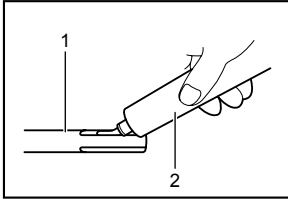
- Always use the side grip to ensure operating safety. Install the side grip so that the teeth on the grip fit in between the protrusions on the tool barrel. Then tighten the grip by turning clockwise at the desired position. It may be swung 360° so as to be secured at any position.

**Bit grease**

Coat the bit shank head beforehand with a small amount of bit grease (about 0.5 - 1 g; 0.02 - 0.04 oz.). This chuck lubrication assures smooth action and longer service life.

## Installing or removing the bit

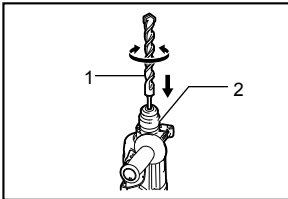
Clean the bit shank and apply bit grease before installing the bit.



1. Bit shank
2. Bit grease

001296

Insert the bit into the tool. Turn the bit and push it in until it engages.



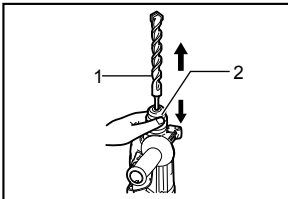
1. Bit
2. Chuck cover

009126

If the bit cannot be pushed in, remove the bit. Pull the chuck cover down a couple of times. Then insert the bit again. Turn the bit and push it in until it engages.

After installing, always make sure that the bit is securely held in place by trying to pull it out.

To remove the bit, pull the chuck cover down all the way and pull the bit out.

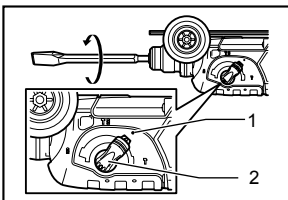


1. Bit
2. Chuck cover

009127

## Bit angle

(when chipping, scaling or demolishing)

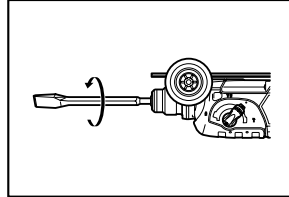


1. O symbol
2. Action mode changing knob

009128

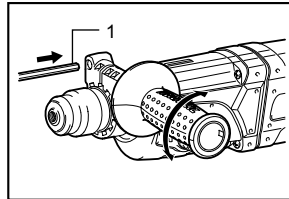
The bit can be secured at the desired angle. To change the bit angle, depress the lock button and rotate the action mode changing knob to the O symbol. Turn the bit to the desired angle.

Depress the lock button and rotate the action mode changing knob to the T symbol. Then make sure that the bit is securely held in place by turning it slightly.



009129

## Depth gauge



1. Depth gauge

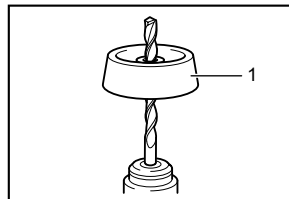
009130

The depth gauge is convenient for drilling holes of uniform depth. Loosen the side grip and insert the depth gauge into the hole in the side grip. Adjust the depth gauge to the desired depth and tighten the side grip.

## NOTE:

- The depth gauge cannot be used at the position where the depth gauge strikes against the gear housing.

## Dust cup



1. Dust cup

001300

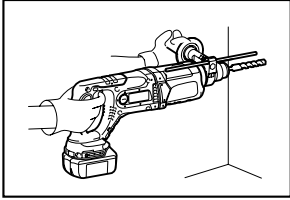
Use the dust cup to prevent dust from falling over the tool and on yourself when performing overhead drilling operations. Attach the dust cup to the bit as shown in the figure. The size of bits which the dust cup can be attached to is as follows.

	Bit diameter
Dust cup 5	6 mm (1/4") - 14.5 mm (9/16")
Dust cup 9	12 mm (15/32") - 16 mm (5/8")


006386

## OPERATION

### Hammer drilling operation



009131

Set the action mode changing knob to the  symbol. Position the bit at the desired location for the hole, then pull the switch trigger.

Do not force the tool. Light pressure gives best results. Keep the tool in position and prevent it from slipping away from the hole.

Do not apply more pressure when the hole becomes clogged with chips and particles. Instead, run the tool at an idle, then remove the bit partially from the hole. By repeating this several times, the hole will be cleaned out and normal drilling may be resumed.

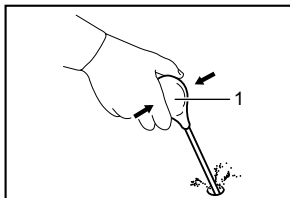
#### **⚠ CAUTION:**

- There is a tremendous and sudden twisting force exerted on the tool/bit at the time of hole break-through, when the hole becomes clogged with chips and particles, or when striking reinforcing rods embedded in the concrete. Always use the side grip (auxiliary handle) and firmly hold the tool by both side grip and switch handle during operations. Failure to do so may result in the loss of control of the tool and potentially severe injury.

#### **NOTE:**

Eccentricity in the bit rotation may occur while operating the tool with no load. The tool automatically centers itself during operation. This does not affect the drilling precision.

### Blow-out bulb (optional accessory)

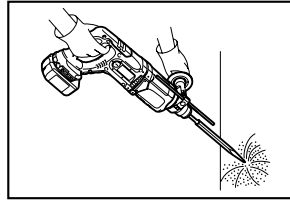


002449


1. Blow-out bulb

After drilling the hole, use the blow-out bulb to clean the dust out of the hole.

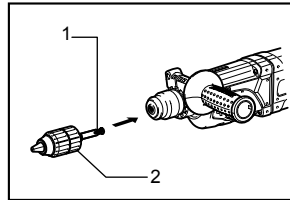
### Chipping/Scaling/Demolition



009132

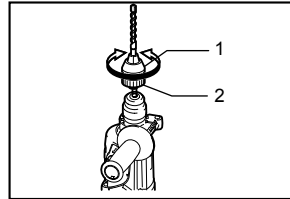
Set the action mode changing knob to the  symbol. Hold the tool firmly with both hands. Turn the tool on and apply slight pressure on the tool so that the tool will not bounce around, uncontrolled. Pressing very hard on the tool will not increase the efficiency.

### Drilling in wood or metal



009134

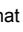
1. Chuck adapter
2. Keyless drill chuck



009135

1. Sleeve
2. Ring

Use the optional drill chuck assembly. When installing it, refer to "Installing or removing the bit" described on the previous page.

Set the action mode changing knob so that the pointer points to the  symbol.

#### **⚠ CAUTION:**

- Never use "rotation with hammering" when the drill chuck assembly is installed on the tool. The drill chuck assembly may be damaged. Also, the drill chuck will come off when reversing the tool.
- Pressing excessively on the tool will not speed up the drilling. In fact, this excessive pressure will only serve to damage the tip of your bit, decrease the tool performance and shorten the service life of the tool.



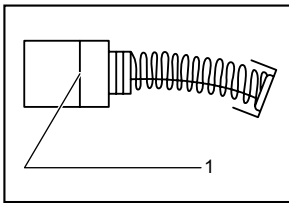
- There is a tremendous twisting force exerted on the tool/bit at the time of hole breakthrough. Hold the tool firmly and exert care when the bit begins to break through the workpiece.
- A stuck bit can be removed simply by setting the reversing switch to reverse rotation in order to back out. However, the tool may back out abruptly if you do not hold it firmly.
- Always secure small workpieces in a vise or similar hold-down device.

## MAINTENANCE

### ⚠CAUTION:

- Always be sure that the tool is switched off and the battery cartridge is removed before attempting to perform inspection or maintenance.
- Never use gasoline, benzine, thinner, alcohol or the like. Discoloration, deformation or cracks may result.

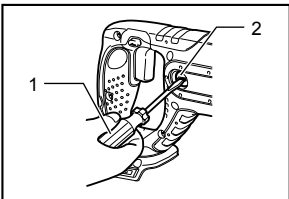
### Replacing carbon brushes



1. Limit mark

001145

Remove and check the carbon brushes regularly. Replace when they wear down to the limit mark. Keep the carbon brushes clean and free to slip in the holders. Both carbon brushes should be replaced at the same time. Use only identical carbon brushes. Use a screwdriver to remove the brush holder caps. Take out the worn carbon brushes, insert the new ones and secure the brush holder caps.



1. Screwdriver  
2. Brush holder cap

009133

After replacing brushes, insert the battery cartridge into the tool and break in brushes by running tool with no load for about 1 minute. Then check the tool while running and electric brake operation when releasing the switch trigger. If electric brake is not working well, ask your local Makita service center for repair.

To maintain product SAFETY and RELIABILITY, repairs, any other maintenance or adjustment should be performed by Makita Authorized or Factory Service Centers, always using Makita replacement parts.

## OPTIONAL ACCESSORIES

### ⚠CAUTION:

- These accessories or attachments are recommended for use with your Makita tool specified in this manual. The use of any other accessories or attachments might present a risk of injury to persons. Only use accessory or attachment for its stated purpose.

If you need any assistance for more details regarding these accessories, ask your local Makita Service Center.

- SDS-Plus Carbide-tipped bits
- Bull point
- Cold chisel
- Scaling chisel
- Grooving chisel
- Drill chuck assembly
- Drill chuck S13
- Chuck adapter
- Chuck key S13
- Bit grease
- Side grip
- Depth gauge
- Blow-out bulb
- Dust cup
- Dust extractor attachment
- Safety goggles
- Plastic carrying case
- Keyless drill chuck
- Makita genuine battery and charger

### NOTE:

- Some items in the list may be included in the tool package as standard accessories. They may differ from country to country.

---

## **MAKITA LIMITED ONE YEAR WARRANTY**

### **Warranty Policy**

Every Makita tool is thoroughly inspected and tested before leaving the factory. It is warranted to be free of defects from workmanship and materials for the period of ONE YEAR from the date of original purchase. Should any trouble develop during this one year period, return the COMPLETE tool, freight prepaid, to one of Makita's Factory or Authorized Service Centers. If inspection shows the trouble is caused by defective workmanship or material, Makita will repair (or at our option, replace) without charge.

This Warranty does not apply where:

- repairs have been made or attempted by others:
- repairs are required because of normal wear and tear:
- the tool has been abused, misused or improperly maintained:
- alterations have been made to the tool.

IN NO EVENT SHALL MAKITA BE LIABLE FOR ANY INDIRECT, INCIDENTAL OR CONSEQUENTIAL DAMAGES FROM THE SALE OR USE OF THE PRODUCT. THIS DISCLAIMER APPLIES BOTH DURING AND AFTER THE TERM OF THIS WARRANTY.

MAKITA DISCLAIMS LIABILITY FOR ANY IMPLIED WARRANTIES, INCLUDING IMPLIED WARRANTIES OF "MERCHANTABILITY" AND "FITNESS FOR A SPECIFIC PURPOSE," AFTER THE ONE YEAR TERM OF THIS WARRANTY.

This Warranty gives you specific legal rights, and you may also have other rights which vary from state to state. Some states do not allow the exclusion or limitation of incidental or consequential damages, so the above limitation or exclusion may not apply to you. Some states do not allow limitation on how long an implied warranty lasts, so the above limitation may not apply to you.

EN0006-1

## SPÉCIFICATIONS

Modèle		XRH04	
Capacités	Béton	24 mm (15/16")	
	Acier	13 mm (1/2")	
	Bois	26 mm (1")	
Vitesse à vide (T/MIN)		0 - 1 200 /min	
Nombre de frappes par minute		0 - 4 000	
Longueur totale		417 mm (16-3/8")	
Poids net		3,2 kg (7,1 lbs)	3,5 kg (7,7 lbs)
Tension nominale		C.C. 18 V	
Batteries standard		BL1815N / BL1820	BL1830 / BL1840 / BL1850

• Étant donné l'évolution constante de notre programme de recherche et de développement, les spécifications contenues dans ce manuel sont sujettes à modification sans préavis.

• Les caractéristiques techniques et la batterie peuvent varier suivant les pays.

• Poids, batterie comprise, conforme à la procédure EPTA de 01/2003

GEA006-2

## Consignes de sécurité générales pour outils électriques

**⚠ MISE EN GARDE** Veuillez lire toutes les mises en garde de sécurité et toutes les instructions. L'ignorance des mises en garde et des instructions comporte un risque de choc électrique, d'incendie et/ou de blessure grave.

## Conservez toutes les mises en garde et instructions pour référence future.

Le terme « outil électrique » qui figure dans les avertissements fait référence à un outil électrique branché sur une prise de courant (par un cordon d'alimentation) ou alimenté par batterie (sans fil).

### Sécurité de la zone de travail

1. **Maintenez la zone de travail propre et bien éclairée.** Les zones de travail encombrées ou sombres ouvrent grande la porte aux accidents.
2. **N'utilisez pas les outils électriques dans les atmosphères explosives, par exemple en présence de liquides, gaz ou poussières inflammables.** Les outils électriques produisent des étincelles au contact desquelles la poussière ou les vapeurs peuvent s'enflammer.
3. **Assurez-vous qu'aucun enfant ou curieux ne s'approche pendant que vous utilisez un outil électrique.** Vous risquez de perdre la maîtrise de l'outil si votre attention est détournée.

### Sécurité en matière d'électricité

4. **Les fiches d'outil électrique sont conçues pour s'adapter parfaitement aux prises de courant. Ne modifiez jamais la fiche de quelque façon que ce soit. N'utilisez aucun adaptateur de fiche sur les outils électriques avec mise à la terre.** En ne modifiant pas les fiches et en les insérant dans des prises de courant pour lesquelles elles ont été conçues vous réduirez les risques de choc électrique.
5. **Évitez tout contact corporel avec les surfaces mises à la terre, telles que les tuyaux, radiateurs, cuisinières et réfrigérateurs.** Le risque de choc électrique est plus élevé si votre corps se trouve mis à la terre.
6. **N'exposez pas les outils électriques à la pluie ou à l'eau.** La présence d'eau dans un outil électrique augmente le risque de choc électrique.
7. **Ne maltraitez pas le cordon. N'utilisez jamais le cordon pour transporter, tirer ou débrancher l'outil électrique. Maintenez le cordon à l'écart des sources de chaleur, de l'huile, des objets à bords tranchants et des pièces en mouvement.** Le risque de choc électrique est plus élevé lorsque les cordons sont endommagés ou enchevêtrés.
8. **Lorsque vous utilisez un outil électrique à l'extérieur, utilisez un cordon prolongateur prévu à cette fin.** Les risques de choc électrique sont moindres lorsqu'un cordon conçu pour l'extérieur est utilisé.
9. **Si vous devez utiliser un outil électrique dans un endroit humide, utilisez une source d'alimentation protégée par un disjoncteur de fuite à la terre.** L'utilisation d'un disjoncteur de fuite à la terre réduit le risque de choc électrique.

## Sécurité personnelle

10. **Restez alerte, attentif à vos mouvements et faites preuve de bon sens lorsque vous utilisez un outil électrique. Évitez d'utiliser un outil électrique si vous êtes fatigué ou si vous avez pris une drogue, de l'alcool ou un médicament.** Un moment d'inattention pendant l'utilisation d'un outil électrique peut entraîner une grave blessure.
  11. **Portez des dispositifs de protection personnelle. Portez toujours un protecteur pour la vue.** Les risques de blessure seront moins élevés si vous utilisez des dispositifs de protection tels qu'un masque antipoussières, des chaussures à semelle antidérapante, une coiffure résistante ou une protection d'oreilles.
  12. **Évitez les démarrages accidentels. Assurez-vous que l'interrupteur soit en position d'arrêt avant de brancher l'outil à la prise électrique et/ou au bloc-piles, avant de prendre ou de transporter l'outil.** Vous ouvrez la porte aux accidents si vous transportez les outils électriques avec le doigt sur l'interrupteur ou si vous les branchez alors que l'interrupteur est en position de marche.
  13. **Retirez toute clé de réglage ou de serrage avant de mettre l'outil sous tension.** Toute clé laissée en place sur une pièce rotative de l'outil électrique peut entraîner une blessure.
  14. **Maintenez une bonne position. Assurez-vous d'une bonne prise au sol et d'une bonne position d'équilibre en tout temps.** Cela vous permettra d'avoir une meilleure maîtrise de l'outil dans les situations imprévues.
  15. **Portez des vêtements adéquats. Ne portez ni vêtements amples ni bijoux. Vous devez maintenir cheveux, vêtements et gants à l'écart des pièces en mouvement.** Les pièces en mouvement peuvent heurter les vêtements amples, les bijoux et les cheveux longs.
  16. **Si des accessoires sont fournis pour raccorder un appareil d'aspiration et de collecte de la poussière, assurez-vous qu'ils sont correctement raccordés et qu'ils sont utilisés de manière adéquate.** L'utilisation d'un appareil d'aspiration permet de réduire les risques liés à la présence de poussière dans l'air.
- ### Utilisation et entretien des outils électriques
17. **Ne forcez pas l'outil électrique. Utilisez l'outil électrique adéquat suivant le type de travail à effectuer.** Si vous utilisez l'outil électrique adéquat et respectez le régime pour lequel il a été conçu, il effectuera un travail de meilleure qualité et de façon plus sécuritaire.
  18. **N'utilisez pas l'outil électrique s'il n'est pas possible de mettre sa gâchette en position de marche et d'arrêt.** Un outil électrique dont l'interrupteur est défectueux représente un danger et doit être réparé.
  19. **Débranchez la fiche de la source d'alimentation et/ou retirez le bloc-piles de l'outil électrique avant d'effectuer tout réglage, de changer un accessoire ou de ranger l'outil électrique.** De telles mesures préventives réduisent les risques de démarrage accidentel de l'outil électrique.
  20. **Après l'utilisation d'un outil électrique, rangez-le hors de portée des enfants et ne laissez aucune personne l'utiliser si elle n'est pas familiarisée avec l'outil électrique ou les présentes instructions d'utilisation.** Les outils électriques représentent un danger entre les mains de personnes qui n'en connaissent pas le mode d'utilisation.
  21. **Veillez à l'entretien des outils électriques. Assurez-vous que les pièces mobiles ne sont pas désalignées ou coincées, qu'aucune pièce n'est cassée et que l'outil électrique n'a subi aucun dommage affectant son bon fonctionnement. Le cas échéant, faites réparer l'outil électrique avant de l'utiliser.** De nombreux accidents sont causés par des outils électriques mal entretenus.
  22. **Maintenez les outils tranchants bien aiguisés et propres.** Un outil tranchant dont l'entretien est effectué correctement et dont les bords sont bien aiguisés risquera moins de se coincer et sera plus facile à maîtriser.
  23. **Utilisez l'outil électrique, ses accessoires, ses embouts, etc., en respectant les présentes instructions, en tenant compte des conditions de travail et du type de travail à effectuer.** L'utilisation d'un outil électrique à des fins autres que celles prévues peut entraîner une situation dangereuse.
- ### Utilisation et entretien des outils alimentés par batterie
24. **Pour recharger, utilisez uniquement le chargeur spécifié par le fabricant.** L'utilisation d'un chargeur conçu pour un type donné de bloc-piles comporte un risque d'incendie lorsqu'il est utilisé avec un autre type de bloc-piles.
  25. **N'utilisez un outil électrique qu'avec le bloc-piles conçu spécifiquement pour cet outil.** Il y a un risque de blessure ou d'incendie si un autre bloc-piles est utilisé.
  26. **Lorsque vous n'utilisez pas le bloc-piles, rangez-le à l'écart des objets métalliques tels que trombones, pièces de monnaie, clés, clous, vis ou autres petits objets métalliques qui risquent d'établir une connexion entre les bornes.** La mise en court-circuit des bornes de batterie peut causer des brûlures ou un incendie.
  27. **Dans des conditions d'utilisation inadéquates de la batterie, il peut y avoir fuite d'électrolyte; évitez tout contact avec ce liquide. En cas de contact accidentel, rincez avec beaucoup d'eau. Si le liquide pénètre dans vos yeux, il faut aussi consulter un médecin.** L'électrolyte qui s'échappe de la batterie peut causer des irritations ou des brûlures.

## Réparation

28. **Faites réparer votre outil électrique par un réparateur qualifié qui utilise des pièces de rechange identiques aux pièces d'origine.** Le maintien de la sûreté de l'outil électrique sera ainsi assuré.
29. **Suivez les instructions de lubrification et de changement des accessoires.**
30. **Maintenez les poignées de l'outil sèches, propres et exemptes d'huile ou de graisse.**

GEB046-2

## CONSIGNES DE SÉCURITÉ POUR LE MARTEAU ROTATIF SANS FIL

1. **Portez des protections d'oreilles.** L'exposition au bruit peut entraîner des lésions de l'ouïe.
2. **Utilisez la ou les poignées auxiliaires si elles sont fournies avec l'outil.** Toute perte de maîtrise comporte un risque de blessure.
3. **Tenez l'outil par ses surfaces de prise isolées pendant toute opération où l'accessoire de coupe pourrait venir en contact avec un câblage dissimulé.** En cas de contact avec un conducteur sous tension, les pièces métalliques à découvert de l'outil pourraient devenir sous tension et risqueraient de transmettre une décharge électrique à l'utilisateur.
4. **Portez un casque rigide (casque de sécurité) ainsi que des lunettes de sécurité et/ou un écran facial.** Les lunettes ordinaires et les lunettes de soleil ne constituent PAS des lunettes de sécurité. Le port d'un masque à poussière et de gants épais est également fortement recommandé.
5. **Assurez-vous que le foret est bien serré avant d'utiliser l'outil.**
6. **Même dans des conditions d'utilisation ordinaires, l'outil produit des vibrations. Les vis peuvent ainsi se relâcher facilement et risquent d'entraîner une rupture de pièce ou de causer un accident. Avant l'utilisation, vérifiez avec précaution que les vis sont bien serrées.**
7. **Par temps froid ou lorsque l'outil est resté inutilisé pendant une longue période, faites-le réchauffer pendant quelques minutes en le faisant fonctionner à vide. Cela réchauffera le lubrifiant. Sans un réchauffement adéquat, le martelage s'effectue difficilement.**
8. **Adoptez toujours une position de travail vous assurant d'un bon équilibre. Assurez-vous qu'il n'y a personne plus bas lorsque vous utilisez l'outil en position élevée.**
9. **Tenez l'outil fermement à deux mains.**
10. **Gardez vos mains éloignées des pièces mobiles.**

11. **N'abandonnez pas l'outil alors qu'il tourne. Ne faites fonctionner l'outil qu'une fois que vous l'avez bien en main.**
12. **Pendant l'utilisation de l'outil, ne le pointez vers personne dans la zone de travail. Vous risqueriez de blesser gravement quelqu'un en cas d'éjection du foret.**
13. **Ne touchez pas le foret ou les parties situées près du foret immédiatement après l'utilisation ; ils peuvent être extrêmement chauds et brûler votre peau.**
14. **Certains matériaux contiennent des produits chimiques qui peuvent être toxiques. Prenez les précautions nécessaires pour éviter l'inhalation de ces poussières ou leur contact avec la peau. Conformez-vous aux consignes de sécurité du fournisseur du matériau.**

## CONSERVEZ CE MODE D'EMPLOI.




### ⚠AVERTISSEMENT:

**NE VOUS LAISSEZ PAS tromper (au fil d'une utilisation répétée) par un sentiment d'aisance ou de familiarité avec le produit en négligeant les consignes de sécurité qui accompagnent le produit. L'utilisation non sécuritaire ou incorrecte de cet outil comporte un risque de blessure grave.**

USD302-1

## Symboles

Les symboles utilisés pour l'outil sont indiqués ci-dessous.

- |   |                                   |
|---|-----------------------------------|
|    | · volts                           |
|  | · courant continu                 |
| $n_0$   | · vitesse à vide                  |
| $\dots / \text{min}$<br>$r / \text{min}$  | · tours ou alternances par minute |
|  | · nombre de frappes               |

ENC007-8

## CONSIGNES DE SÉCURITÉ IMPORTANTES

### POUR LA BATTERIE

1. **Avant d'utiliser la batterie, lisez toutes les instructions et précautions relatives (1) au chargeur de batterie, (2) à la batterie, et (3) à l'outil utilisant la batterie.**
2. **Ne démontez pas la batterie.**

3. Cessez immédiatement l'utilisation si le temps de fonctionnement devient excessivement court. Il y a risque de surchauffe, de brûlures, voire d'explosion.
4. Si l'électrolyte pénètre dans vos yeux, rincez-les à l'eau claire et consultez immédiatement un médecin. Il y a risque de perte de la vue.
5. Ne court-circuitez pas la batterie :
  - (1) Ne touchez les bornes avec aucun matériau conducteur.
  - (2) Évitez de ranger la batterie dans un conteneur avec d'autres objets métalliques, par exemple des clous, des pièces de monnaie, etc.
  - (3) Évitez d'exposer la batterie à l'eau ou à la pluie.

Un court-circuit de la batterie pourrait provoquer un fort courant, une surchauffe, parfois des brûlures et même une panne.

6. Ne rangez pas l'outil ou la batterie dans des endroits où la température risque d'atteindre ou de dépasser 50 ° C (122 ° F).
7. Ne jetez pas la batterie au feu même si elle est sérieusement endommagée ou complètement épuisée. La batterie peut exploser au contact du feu.
8. Prenez garde d'échapper ou de heurter la batterie.
9. N'utilisez pas une batterie si elle est endommagée.
10. Suivez la réglementation locale concernant la mise au rebut de la batterie.

## CONSERVEZ CE MODE D'EMPLOI.

### Conseils pour obtenir la durée de service maximale de la batterie

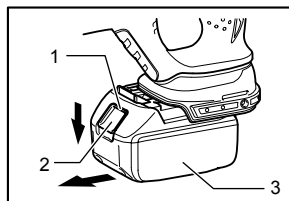
1. Rechargez la batterie avant qu'elle ne soit complètement déchargée.  
Arrêtez toujours l'outil et rechargez la batterie quand vous remarquez que la puissance de l'outil diminue.
2. Ne rechargez jamais une batterie complètement chargée.  
La surcharge réduit la durée de service de la batterie.
3. Rechargez la batterie à une température ambiante comprise entre 10 ° C et 40 ° C (50 ° F - 104 ° F). Si la batterie est chaude, laissez-la refroidir avant de la recharger.
4. Rechargez la batterie tous les six mois si l'appareil n'est pas utilisé pendant de longues périodes.

## DESCRIPTION DU FONCTIONNEMENT

### ⚠ATTENTION:

- Assurez-vous toujours que l'outil est hors tension et que sa batterie est retirée avant de l'ajuster ou de vérifier son fonctionnement.

### Installation ou retrait de la batterie



1. Indicateur rouge
2. Bouton
3. Batterie

012144

### ⚠ATTENTION:

- Mettez toujours l'appareil hors tension avant d'installer ou de retirer la batterie.
- **Tenez fermement l'outil et la batterie lors de l'installation ou du retrait de cette dernière.** Sinon, l'outil et la batterie pourraient vous glisser des mains, ce qui risque d'endommager l'outil et la batterie, ou encore de provoquer des blessures.

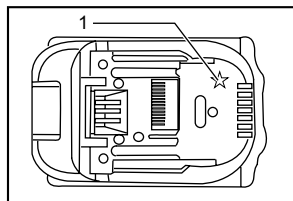
Pour retirer la batterie, faites-la glisser de l'outil tout en faisant glisser le bouton se trouvant à l'avant.

Pour installer la batterie, alignez sa languette sur la rainure pratiquée dans le boîtier, et glissez la batterie en place. Insérez-la à fond jusqu'à ce que vous entendiez un clic. Si vous pouvez voir l'indicateur rouge situé sur le dessus du bouton, la batterie n'est pas complètement verrouillée.

### ⚠ATTENTION:

- Installez toujours la batterie à fond jusqu'à ce que vous ne puissiez plus voir l'indicateur rouge. Dans le cas contraire, elle pourrait tomber de l'outil et entraîner des blessures.
- Ne forcez pas sur la batterie pour l'installer. Si la batterie ne glisse pas facilement, c'est qu'elle n'est pas insérée correctement.

## Système de protection de la batterie (batterie lithium-ion marquée d'une étoile)



1. Étoile

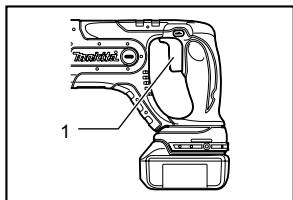
012128

Les batteries lithium-ion marquées d'une étoile sont équipées d'un système de protection. Ce système coupe automatiquement l'alimentation de l'outil pour augmenter la durée de vie de la batterie.

L'outil s'arrête automatiquement pendant l'utilisation lorsque l'outil et/ou la batterie sont dans l'une des situations suivantes :

- En surcharge :  
L'outil est utilisé d'une manière entraînant une consommation anormale de courant. Dans cette situation, relâchez la gâchette et arrêtez l'activité qui entraîne une surcharge de l'outil. Puis appuyez de nouveau sur la gâchette pour redémarrer. Si l'outil ne démarre pas, la batterie est en surchauffe. Dans cette situation, laissez refroidir la batterie avant d'appuyer de nouveau sur la gâchette.
- Tension de la batterie faible :  
La capacité restante de la batterie est trop faible pour que l'outil puisse fonctionner. Dans cette situation, retirez et rechargez la batterie.

## Interrupteur



1. Gâchette

009120

### ⚠ ATTENTION :

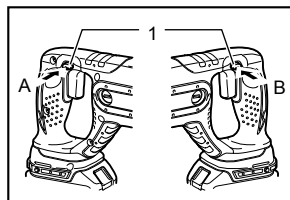
- Avant d'insérer la batterie dans l'outil, vérifiez toujours que la gâchette fonctionne bien et revient en position d'arrêt lorsque relâchée.

Pour mettre l'outil en marche, appuyez simplement sur la gâchette. La vitesse de l'outil augmente à mesure que l'on accroît la pression exercée sur la gâchette. Pour l'arrêter, relâchez la gâchette.

## Frein électrique

Cet outil est équipé d'un frein électrique. Si à plusieurs reprises l'outil ne s'arrête pas rapidement après le relâchement de la gâchette, faites-le réparer dans un centre de service après-vente Makita.

## Inverseur



1. Levier inverseur

009121

L'outil possède un inverseur qui permet de changer le sens de rotation. Enfoncez le levier inverseur du côté A pour une rotation dans le sens des aiguilles d'une montre, ou du côté B pour une rotation dans le sens inverse des aiguilles d'une montre.

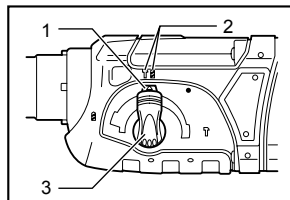
La pression sur la gâchette n'est pas possible lorsque le levier inverseur se trouve en position neutre.

### ⚠ ATTENTION :

- Vérifiez toujours le sens de rotation avant de mettre l'outil en marche.
- N'actionnez l'inverseur qu'une fois que l'outil est complètement arrêté. Si vous changez le sens de rotation avant l'arrêt de l'outil, vous risquez de l'endommager.
- Lorsque vous n'utilisez pas l'outil, placez toujours le levier inverseur en position neutre.

## Sélection du mode de fonctionnement

### Rotation avec martelage

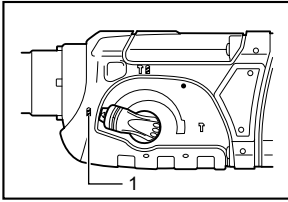


1. Bouton de verrouillage
2. Rotation avec martelage
3. Bouton de changement de mode

009122


Pour percer du béton, de la maçonnerie, etc., appuyez sur le bouton de verrouillage et tournez le bouton de changement de mode sur le symbole . Utilisez un foret à pointe au carbure de tungstène.

## Rotation seulement

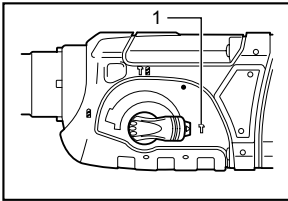


1. Rotation seulement

009123


Pour percer les matériaux de bois, de métal ou de plastique, appuyez sur le bouton de verrouillage et tournez le levier de changement de mode sur le symbole . Utilisez un foret hélicoïdal ou un foret à bois.

## Martelage seulement



1. Martelage seulement

009124

Pour les opérations de burinage, d'écaillage et de démolition, appuyez sur le bouton de verrouillage et tournez le levier de changement de mode sur le symbole . Utilisez une pointe à béton, un ciseau à froid, un ciseau à écailler, etc.

## ATTENTION:

- Ne tournez pas le bouton de changement de mode pendant que l'outil tourne. Cela endommagerait l'outil.
- Pour éviter toute usure prématurée du mécanisme de changement de mode, veillez à ce que le bouton de changement de mode soit toujours bien réglé sur l'un des trois modes.

## Limiteur de couple

Le limiteur de couple se déclenche lorsqu'un certain niveau de couple est atteint. Le moteur se désaccouple du porte-outil. Dans ce cas, le foret cesse de tourner.

## ATTENTION:

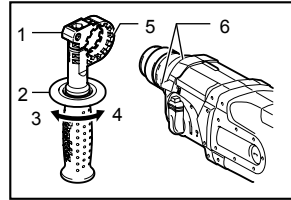
- Coupez le contact dès que le limiteur de couple se déclenche. Ceci permettra d'éviter toute usure prématurée de l'outil.
- Avec cet outil vous ne pouvez pas utiliser les scies trepans. Ils ont tendance à se bloquer, déclenchant constamment le limiteur de couple.

## ASSEMBLAGE

### ATTENTION:

- Assurez-vous toujours que l'outil est hors tension et que sa batterie est retirée avant d'effectuer tout travail dessus.

### Poignée latérale (poignée auxiliaire)



1. Base de la poignée
2. Poignée latérale
3. Desserrer
4. Serrer
5. Dents
6. Saillie

009125

### ATTENTION:

- Utilisez toujours la poignée latérale pour assurer votre sécurité.

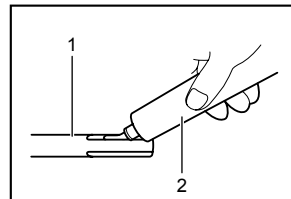
Installez la poignée latérale pour que les dents s'encastrent parfaitement entre les protubérances du corps de foret de l'outil. Puis serrez la poignée en tournant dans le sens des aiguilles d'une montre jusqu'à la position souhaitée. On la fera tourner à 360° pour être sécuritaire en toute position.

### Graisse rose

Avant de procéder, enduisez la queue du foret d'une légère couche de graisse (environ 0,5 - 1 g; 0,02 - 0,04 oz.). Cette lubrification du porte-outil assurera un fonctionnement en douceur et une longue durée de service.

### Installation et retrait de l'embout

Nettoyez la queue du foret et enduisez-la de graisse à foret avant d'installer le foret.

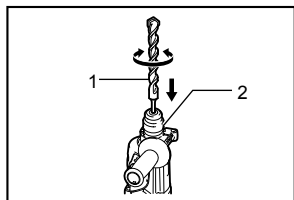


1. Queue du foret
2. Graisse à foret

001296

Insérez le foret dans l'outil. Tournez le foret puis enfoncez-le jusqu'à ce qu'il soit engagé.





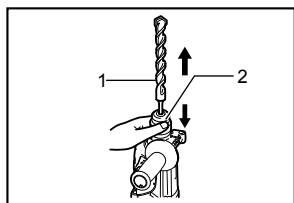
1. Embout
2. Couvercle du mandrin

009126

S'il n'est pas possible d'enfoncer le foret, retirez-le. Tirez vers le bas le couvercle du mandrin à quelques reprises. Réinsérez ensuite le foret. Tournez le foret puis enfoncez-le jusqu'à ce qu'il soit engagé.

Après l'installation, vérifiez toujours que le foret est solidement fixé en essayant de le sortir.

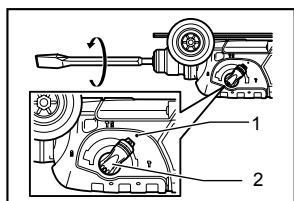
Pour retirer le foret, tirez le couvercle du mandrin à fond vers le bas puis dégagez le foret.



1. Embout
2. Couvercle du mandrin

009127

### Orientation du foret (lors d'un burinage, d'un écaillage, ou de travaux de démolition)

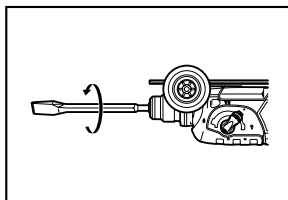


1. Symbole "O"
2. Bouton de changement de mode

009128

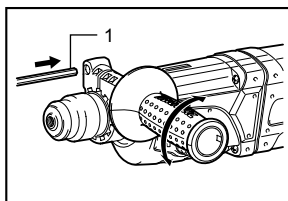
Il est possible de fixer le foret sur l'angle désiré. Pour modifier l'angle, appuyez sur le bouton de verrouillage et tournez le bouton de changement de mode sur le symbole **O**. Tournez le foret à l'angle voulu.

Pressez le bouton de verrouillage et tournez le bouton de changement de mode jusqu'au symbole **T**. Orientez le foret jusqu'à l'angle souhaité.



009129

### Gabarit de profondeur



1. Jauge de profondeur

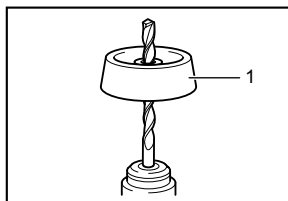
009130

Le gabarit de profondeur vous permet de percer des trous de même profondeur. Desserrez la poignée latérale et insérez le gabarit de profondeur dans l'orifice de la poignée latérale. Réglez le gabarit à la profondeur désirée puis serrez la poignée latérale.

### NOTE:

- Le gabarit de profondeur ne pourra pas être utilisé dans les positions où son extrémité arrière vient buter contre le carter.

### Collecteur de poussières



1. Collecteur de poussières

001300

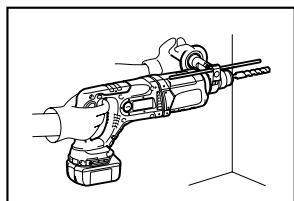
Pour éviter que la poussière qui s'échappe du trou ne tombe sur vous lors d'un travail au-dessus de la tête, utilisez le collecteur de poussières. Engagez le collecteur sur le foret comme indiqué sur la figure. La taille de forets qu'il est possible de fixer au collecteur est comme suit.

	Diamètre du foret
Collecteur de poussières 5	6 mm (1/4") - 14,5 mm (9/16")
Collecteur de poussières 9	12 mm (15/32") - 16 mm (5/8")


006386

## UTILISATION

### Perçage avec martelage



009131

Réglez le bouton de changement de mode sur le symbole .

Posez la pointe du foret à l'emplacement du trou à percer et pressez sur la gâchette.

Ne forcez pas sur l'outil. Une pression légère vous donnera les meilleurs résultats. Maintenez bien l'outil en position et veillez qu'il ne dérape pas hors du trou.

N'augmentez pas la pression sur l'outil lorsque le trou est bouché par des copeaux ou des particules. Au contraire, laissez le moteur tourner au ralenti, puis retirez en partie le foret du trou. Si vous répétez cette opération plusieurs fois de suite, le trou se débouchera, et vous pourrez reprendre le perçage normalement.

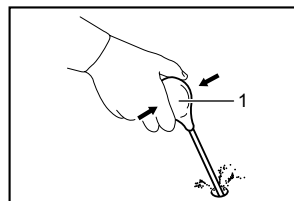
#### ATTENTION:

- Une force énorme s'exerce sur le foret et l'outil lorsque le foret émerge sur la face opposée, lorsque le trou est encombré de copeaux ou de particules, ou lors de la frappe sur des barres d'armature encastrées dans le béton. Utilisez toujours la poignée latérale (poignée auxiliaire) et tenez fermement l'outil par la poignée latérale et par la poignée revolver lors des travaux. Sinon, vous risquez de perdre le contrôle de l'outil et de subir une blessure grave.

#### NOTE:

Lorsque l'outil fonctionne à vide, il se peut que le foret tourne de manière excentrique. L'outil se centrera lui-même lors de l'utilisation avec charge. La précision du perçage n'est donc pas affectée.

### Poire soufflante (accessoire en option)

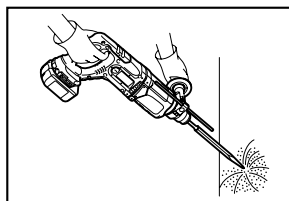


002449


1. Poire soufflante

Une fois le trou percé, utilisez la poire soufflante pour retirer la poussière du trou.

### Burinage / Ecaillage / Démolition

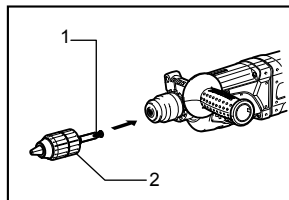


009132

Réglez le bouton de changement de mode sur le symbole .

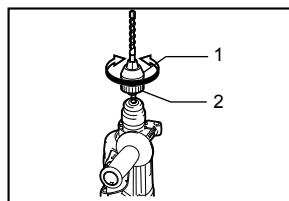
Tenez votre outil fermement à deux mains. Mettez le contact et appliquez une légère pression sur l'outil de façon qu'il ne risque pas de sauter d'un côté ou de l'autre. Appliquer une pression excessive n'augmentera pas l'efficacité de l'opération.

### Perçage du bois ou du métal



009134

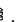
1. Adaptateur de mandrin
2. Mandrin autoserrant



009135

1. Manchon
2. Bague

Utilisez l'ensemble mandrin en option. Lorsque vous l'installez, référez-vous à la section "Installation ou retrait du foret", à la page précédente.

Réglez le bouton de changement de mode de sorte que le pointeur indique le symbole .

#### ATTENTION:

- N'utilisez jamais la "rotation et frappe" lorsque le portemandrin est engagé dans l'outil, car vous pourriez endommager l'ensemble. Par ailleurs, le verrouillage n'étant pas assuré, vous risquez de voir l'ensemble mandrin se détacher et tomber par terre.

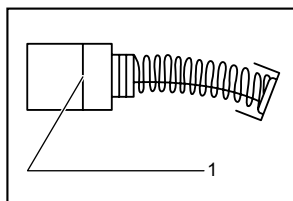
- Une pression excessive sur l'outil n'accélère pas le perçage. Au contraire, elle risque d'endommager la pointe du foret, de réduire le rendement de l'outil et donc sa durée de service.
- Une force énorme s'exerce sur le foret et l'outil lorsque le foret émerge sur la face opposée. Tenez l'outil fermement et faites bien attention lorsque le foret commence à sortir de la face opposée de la pièce.
- Un foret coincé peut se retirer en plaçant l'inverseur sur la direction opposée. Il faut alors faire très attention car l'outil risque de reculer brusquement si vous ne le tenez pas fermement.
- Assurez toujours les petites pièces à percer à l'aide d'un étou ou d'un mode de fixation analogue.

## ENTRETIEN

### ⚠ ATTENTION:

- Assurez-vous toujours que l'outil est hors tension et que la batterie est retirée avant d'y effectuer tout travail d'inspection ou d'entretien.
- N'utilisez jamais d'essence, de benzine, de solvant, d'alcool ou d'autres produits similaires. Une décoloration, une déformation, ou la formation de fissures peuvent en découler.

### Remplacement des charbons

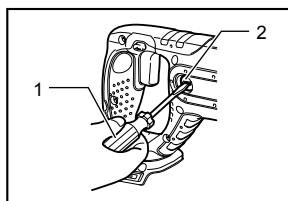


1. Trait de limite d'usure

001145

Retirez et vérifiez régulièrement les charbons. Remplacez-les lorsqu'ils sont usés jusqu'au trait de limite d'usure. Maintenez les charbons propres et en état de glisser aisément dans les porte-charbon. Les deux charbons doivent être remplacés en même temps. N'utilisez que des charbons identiques.

Utilisez un tournevis pour retirer les bouchons de porte-charbon. Enlevez les charbons usés, insérez-en de nouveaux et revissez solidement les bouchons de porte-charbon.



1. Tournevis  
2. Bouchon de porte-charbon

009133

Après avoir remplacé les charbons, insérez la batterie dans l'outil et rodez les brosses en faisant fonctionner l'outil à vide pendant environ 1 minute. Vérifiez ensuite le bon fonctionnement de l'outil, ainsi que l'activation du frein électrique lors du relâchement de la gâchette. Si le frein électrique ne fonctionne pas bien, faites une demande de réparation auprès du centre de service après-vente Makita le plus près.

Pour maintenir la SÉCURITÉ et la FIABILITÉ du produit, les réparations, tout autre travail d'entretien ou de réglage doivent être effectués dans un centre de service Makita agréé ou un centre de service de l'usine Makita, exclusivement avec des pièces de rechange Makita.

## ACCESSOIRES EN OPTION

### ⚠ ATTENTION:

- Ces accessoires ou pièces complémentaires sont recommandés pour l'utilisation avec l'outil Makita spécifié dans ce mode d'emploi. L'utilisation de tout autre accessoire ou pièce complémentaire peut comporter un risque de blessure. N'utilisez les accessoires ou pièces qu'aux fins auxquelles ils ont été conçus.

Si vous désirez obtenir plus de détails concernant ces accessoires, veuillez contacter le centre de service après-vente Makita le plus près.

- Foret à pointe en carbure de tungstène SDS-Plus
- Pointe à béton
- Ciseau à froid
- Ciseau à écailler
- Ciseau à rainure
- Ensemble mandrin
- Mandrin S13
- Adaptateur de mandrin
- Clé à mandrin S13
- Graisse rose
- Poignée latérale
- Gabarit de profondeur
- Poire soufflante
- Collecteur de poussières
- Aspirateur
- Lunettes de sécurité
- Mallette de transport en plastique
- Mandrin auto-serrant
- Chargeur et batterie authentiques Makita

---

**NOTE:**

- Certains éléments de la liste peuvent être inclus avec l'outil comme accessoires standard. Ils peuvent varier suivant les pays.

**GARANTIE LIMITÉE D'UN AN MAKITA****Politique de garantie**

Chaque outil Makita est inspecté rigoureusement et testé avant sa sortie d'usine. Nous garantissons qu'il sera exempt de défaut de fabrication et de vice de matériau pour une période d'UN AN à partir de la date de son achat initial. Si un problème quelconque devait survenir au cours de cette période d'un an, veuillez retourner l'outil COMPLET, port payé, à une usine ou à un centre de service après-vente Makita. Makita réparera l'outil gratuitement (ou le remplacera, à sa discrétion) si un défaut de fabrication ou un vice de matériau est découvert lors de l'inspection.

Cette garantie ne s'applique pas dans les cas où:

- des réparations ont été effectuées ou tentées par un tiers:
- des réparations s'imposent suite à une usure normale:
- l'outil a été malmené, mal utilisé ou mal entretenu:
- l'outil a subi des modifications.

MAKITA DÉCLINE TOUTE RESPONSABILITÉ POUR TOUT DOMMAGE ACCESSOIRE OU INDIRECT LIÉ À LA VENTE OU À L'UTILISATION DU PRODUIT. CET AVIS DE NON-RESPONSABILITÉ S'APPLIQUE À LA FOIS PENDANT ET APRÈS LA PÉRIODE COUVERTE PAR CETTE GARANTIE.

MAKITA DÉCLINE TOUTE RESPONSABILITÉ QUANT À TOUTE GARANTIE TACITE, INCLUANT LES GARANTIES TACITES DE "QUALITÉ MARCHANDE" ET "ADÉQUATION À UN USAGE PARTICULIER" APRÈS LA PÉRIODE D'UN AN COUVERTE PAR CETTE GARANTIE.

Cette garantie vous donne des droits spécifiques reconnus par la loi, et possiblement d'autres droits, qui varient d'un État à l'autre. Certains États ne permettant pas l'exclusion ou la limitation des dommages accessoires ou indirects, il se peut que la limitation ou exclusion ci-dessus ne s'applique pas à vous. Certains États ne permettant pas la limitation de la durée d'application d'une garantie tacite, il se peut que la limitation ci-dessus ne s'applique pas à vous.

EN0006-1

## ESPECIFICACIONES

Modelo		XRH04	
Capacidades	Concreto	24 mm (15/16")	
	Acero	13 mm (1/2")	
	Madera	26 mm (1")	
Velocidad sin carga (r.p.m.)		0 - 1 200 r/min	
Golpes por minuto		0 - 4 000	
Longitud total		417 mm (16-3/8")	
Peso neto		3,2 kg (7,1 lbs)	3,5 kg (7,7 lbs)
Tensión nominal		18 V c.c.	
Cartuchos de batería estándar		BL1815N / BL1820	BL1830 / BL1840 / BL1850

• Debido a nuestro programa continuo de investigación y desarrollo, las especificaciones aquí dadas están sujetas a cambios sin previo aviso.

• Las especificaciones y el cartucho de la batería pueden variar de país a país.

• Peso de acuerdo al procedimiento de EPTA-01/2003 incluyendo el cartucho de la batería

GEA006-2

## Advertencias de seguridad generales para herramientas eléctricas

**⚠ ADVERTENCIA:** lea todas las advertencias de seguridad e instrucciones. Si no sigue todas las advertencias e instrucciones indicadas a continuación, podrá ocasionar una descarga eléctrica, un incendio y/o lesiones graves.

## Guarde todas las advertencias e instrucciones para su futura referencia.

El término "herramienta eléctrica" se refiere, en todas las advertencias que aparecen a continuación, a su herramienta eléctrica de funcionamiento con conexión a la red eléctrica (con cableado eléctrico) o herramienta eléctrica de funcionamiento a batería (inalámbrica).

### Seguridad en el área de trabajo

1. **Mantenga el área de trabajo limpia y bien iluminada.** Las áreas oscuras o desordenadas son propensas a accidentes.
2. **No utilice las herramientas eléctricas en atmósferas explosivas, tal como en la presencia de líquidos, gases o polvo inflamables.** Las herramientas eléctricas crean chispas que pueden prender fuego al polvo o los humos.
3. **Mantenga a los niños y curiosos alejados mientras utiliza una herramienta eléctrica.** Las distracciones le pueden hacer perder el control.

### Seguridad eléctrica

4. **Las clavijas de conexión de las herramientas eléctricas deberán encajar perfectamente en la toma de corriente. No modifique nunca la clavija de conexión de ninguna forma. No utilice ninguna clavija adaptadora con herramientas eléctricas que tengan conexión a tierra (puesta a tierra).** La utilización de clavijas no modificadas y que encajen perfectamente en la toma de corriente reducirá el riesgo de que se produzca una descarga eléctrica.
5. **Evite tocar con el cuerpo superficies conectadas a tierra o puestas a tierra tales como tubos, radiadores, cocinas y refrigeradores.** Si su cuerpo es puesto a tierra o conectado a tierra existirá un mayor riesgo de que sufra una descarga eléctrica.
6. **No exponga las herramientas eléctricas a la lluvia ni a condiciones húmedas.** La entrada de agua en una herramienta eléctrica aumentará el riesgo de que se produzca una descarga eléctrica.
7. **No jale el cable. Nunca utilice el cable para transportar, jalar o desconectar la herramienta eléctrica. Mantenga el cable alejado del calor, aceite, objetos cortantes o piezas móviles.** Los cables dañados o atrapados aumentan el riesgo de sufrir una descarga eléctrica.
8. **Cuando utilice una herramienta eléctrica en exteriores, utilice un cable de extensión apropiado para uso en exteriores.** La utilización de un cable apropiado para uso en exteriores reducirá el riesgo de que se produzca una descarga eléctrica.
9. **Si no es posible evitar usar una herramienta eléctrica en condiciones húmedas, utilice un alimentador protegido con interruptor de circuito de falla en tierra (ICFT).** El uso de un ICFT reduce el riesgo de descarga eléctrica.

## Seguridad personal

10. **Manténgase alerta, preste atención a lo que está haciendo y utilice su sentido común cuando opere una herramienta eléctrica. No utilice la herramienta eléctrica cuando esté cansado o bajo la influencia de drogas, alcohol o medicamentos.** Un momento de distracción mientras opera la máquina puede dar como resultado heridas personales graves.
11. **Use equipo de protección personal. Póngase siempre protección para los ojos.** El equipo protector tal como máscara contra el polvo, zapatos de seguridad antiderrapantes, casco rígido y protección para oídos utilizado en las condiciones apropiadas reducirá las heridas personales.
12. **Impida el encendido accidental. Asegúrese de que el interruptor esté en la posición de apagado antes de conectar a la alimentación eléctrica y/o de colocar el cartucho de la batería, así como al levantar o cargar la herramienta.** Cargar las herramientas eléctricas con su dedo en el interruptor o enchufarlas con el interruptor encendido hace que los accidentes sean propensos.
13. **Retire cualquier llave de ajuste o llave de apriete antes de encender la herramienta.** Una llave de ajuste o llave de apriete que haya sido dejada puesta en una parte giratoria de la herramienta eléctrica podrá resultar en heridas personales.
14. **No utilice la herramienta donde no alcance. Mantenga los pies sobre suelo firme y el equilibrio en todo momento.** Esto permite un mejor control de la herramienta eléctrica en situaciones inesperadas.
15. **Use vestimenta apropiada. No use ropas sueltas ni joyas. Mantenga el cabello, la ropa y los guantes alejados de las piezas móviles.** Las prendas de vestir holgadas, las joyas y el cabello suelto podrían engancharse en estas piezas móviles.
16. **Si dispone de dispositivos para la conexión de equipos de extracción y recolección de polvo, asegúrese de conectarlos y utilizarlos debidamente.** La utilización de estos dispositivos reduce los riesgos relacionados con el polvo.

## Mantenimiento y uso de la herramienta eléctrica

17. **No fuerce la herramienta eléctrica. Utilice la herramienta eléctrica correcta para su aplicación.** La herramienta eléctrica adecuada hará un trabajo mejor a la velocidad para la que ha sido fabricada.
18. **No utilice la herramienta eléctrica si el interruptor no la enciende y apaga.** Cualquier herramienta eléctrica que no pueda ser controlada con el interruptor es peligrosa y debe ser reemplazada.
19. **Desconecte la clavija de la fuente de energía y/o la batería de la herramienta eléctrica antes de realizar ajustes, cambiar accesorios o guardar las herramientas eléctricas.** Dichas medidas de seguridad preventivas reducen el riesgo de que la

herramienta se inicie accidentalmente.

20. **Guarde la herramienta eléctrica que no use fuera del alcance de los niños y no permita que las personas que no están familiarizadas con ella o con las instrucciones la operen.** Las herramientas eléctricas son peligrosas en manos de personas que no saben operarlas.
21. **Realice el mantenimiento a las herramientas eléctricas. Compruebe que no haya partes móviles desalineadas o estancadas, piezas rotas y cualquier otra condición que pueda afectar al funcionamiento de la herramienta eléctrica. Si la herramienta eléctrica está dañada, haga que se la reparen antes de utilizarla.** Muchos accidentes son ocasionados por herramientas eléctricas con un mal mantenimiento.
22. **Mantenga las herramientas de corte limpias y filosas.** Si recibe un mantenimiento adecuado y tiene los bordes afilados, es probable que la herramienta se atasque menos y sea más fácil controlarla.
23. **Utilice la herramienta eléctrica, así como accesorios, piezas, brocas, etc. de acuerdo con estas instrucciones y de la manera establecida para cada tipo de unidad en particular; tenga en cuenta las condiciones laborales y el trabajo a realizar.** Si utiliza la herramienta eléctrica para realizar operaciones distintas de las indicadas, podrá presentarse una situación peligrosa.

## Uso y cuidado de la herramienta a batería

24. **Realice la recarga sólo con el cargador especificado por el fabricante.** Un cargador que es adecuado para un solo tipo de batería puede generar riesgo de incendio al ser utilizado con otra batería.
25. **Utilice las herramientas eléctricas solamente con las baterías designadas específicamente para ellas.** La utilización de cualquier otra batería puede crear un riesgo de heridas o incendio.
26. **Cuando no se esté usando el cartucho de la batería, manténgalo alejado de otros objetos metálicos, como sujetapapeles (clips), monedas, llaves, clavos, tornillos u otros objetos pequeños de metal los cuales pueden actuar creando una conexión entre las terminales de la batería.** Cerrar el circuito las terminales de la batería puede causar quemaduras o incendios.
27. **En condiciones abusivas, podrá escapar líquido de la batería; evite tocarlo. Si lo toca accidentalmente, enjuague con agua. Si hay contacto del líquido con los ojos, acuda por ayuda médica.** Puede que el líquido expulsado de la batería cause irritación o quemaduras.

## Servicio de mantenimiento

28. **Haga que una persona calificada repare la herramienta utilizando sólo piezas de repuesto idénticas.** Esto asegura que se mantenga la seguridad de la herramienta eléctrica.

29. **Siga las instrucciones para la lubricación y cambio de accesorios.**
30. **Mantenga las agarraderas secas, limpias y sin aceite o grasa.**

GEB046-2

## ADVERTENCIAS DE SEGURIDAD PARA EL MARTILLO ROTATIVO INALÁMBRICO

1. **Utilice protectores para oídos.** La exposición al ruido puede causar la pérdida auditiva.
2. **Utilice el/los mango(s) auxiliar(es) si es que se incluye(n) en la herramienta.** Una pérdida del control puede ocasionar lesiones personales.
3. **Sujete la herramienta eléctrica por las superficies aisladas de sujeción al realizar una operación en la que el accesorio de corte pueda entrar en contacto con cables ocultos.** El accesorio de corte que haga contacto con un cable electrificado puede dejarlo expuesto y electrificar las piezas metálicas de la herramienta, lo cual podría ocasionar una descarga eléctrica al operador.
4. **Utilice un casco protector (de seguridad), gafas de seguridad y/o máscara protectora. Los anteojos comunes o para el sol NO son gafas de seguridad. También se recomienda usar una mascarilla para protegerse del polvo y guantes bien acolchados.**
5. **Asegúrese de que la broca se encuentre fija en su lugar antes de su funcionamiento.**
6. **En condiciones normales de funcionamiento, la herramienta está diseñada para producir vibración. Los tornillos pueden aflojarse fácilmente y causar una falla o accidente. Verifique cuidadosamente si los tornillos están ajustados antes de poner en funcionamiento la herramienta.**
7. **En clima frío o cuando la herramienta no haya sido utilizada durante largo tiempo, deje calentar la herramienta durante un rato haciéndola funcionar sin carga. Esto agilizará la lubricación. Sin un calentamiento apropiado, la operación de percusión resultará difícil de realizar.**
8. **Asegúrese siempre de que pisa sobre suelo firme.**  
Asegúrese de que no haya nadie debajo cuando utilice la herramienta en lugares altos.
9. **Sujete la herramienta firmemente con ambas manos.**
10. **Mantenga las manos alejadas de las partes móviles.**
11. **No deje la herramienta en marcha. Tenga en marcha la herramienta solamente cuando la tenga en la mano.**
12. **No apunte a ninguna persona cercana con la herramienta cuando la opere. La broca puede salir volando y herir a alguien de gravedad.**
13. **No toque la broca o las partes cercanas a ella inmediatamente después de operar la herramienta puesto que pueden estar calientes y quemarle la piel.**
14. **Algunos materiales contienen sustancias químicas que pueden ser tóxicas. Tome precauciones para evitar la inhalación de polvo o que éste tenga contacto con la piel. Consulte la información de seguridad del proveedor de los materiales.**

## GUARDE ESTAS INSTRUCCIONES.


### ⚠ADVERTENCIA:

**NO DEJE** que la comodidad o familiaridad con el producto (a base de utilizarlo repetidamente) sustituya la estricta observancia de las normas de seguridad para dicho producto. El MAL USO o el no seguir las normas de seguridad establecidas en este manual de instrucciones puede ocasionar graves lesiones personales.

USD302-1

## Símbolos

A continuación se muestran los símbolos utilizados para la herramienta.

v	·	volts o voltios
≡	·	corriente directa o continua
n <sub>0</sub>	·	velocidad en vacío o sin carga
... /min	·	revoluciones o alternaciones por minuto,
r /min	·	frecuencia de rotación
	·	número de percusiones

ENC007-8

## INSTRUCCIONES IMPORTANTES DE SEGURIDAD

### PARA CARTUCHO DE BATERÍA

1. **Antes de utilizar el cartucho de batería, lea todas las instrucciones e indicaciones de precaución sobre (1) el cargador de baterías, (2) la batería, y (3) el producto con el que se utiliza la batería.**
2. **No desarme el cartucho de batería.**
3. **Si el tiempo de operación se ha acortado en exceso, deje de operar de inmediato. Podría correrse el riesgo de sobrecalentamiento, posibles quemaduras e incluso explosión.**

4. En caso de que ingresen electrolitos en sus ojos, enjuáguelos bien con agua limpia y consulte de inmediato a un médico. Podría perder la visión.
5. No cortocircuite el cartucho de batería:
  - (1) No toque las terminales con ningún material conductor.
  - (2) Evite guardar el cartucho de batería en un cajón junto con otros objetos metálicos, tales como clavos, monedas, etc.
  - (3) No exponga la batería de cartucho a la lluvia o nieve.

Un corto circuito en la batería puede causar un flujo grande de corriente, sobrecalentamiento, posibles quemaduras y aún descomposturas.

6. No guarde la herramienta ni el cartucho de batería en lugares donde la temperatura pueda alcanzar o exceder los 50 ° C (122 ° F).
7. Nunca incinere el cartucho de batería incluso en el caso de que esté dañado seriamente o ya no sirva en absoluto. El cartucho de batería puede explotar si se tira al fuego.
8. Tenga cuidado de no dejar caer ni golpear el cartucho de batería.
9. No use una batería dañada.
10. Siga las regulaciones locales relacionadas al desecho de las baterías.

## GUARDE ESTAS INSTRUCCIONES.

### Consejos para alargar al máximo la vida útil de la batería

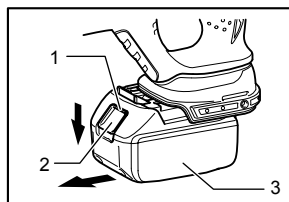
1. Cargue el cartucho de batería antes de que se descargue completamente. Pare siempre la operación y cargue el cartucho de batería cuando note menos potencia en la herramienta.
2. No cargue nunca un cartucho de batería que esté completamente cargado. La sobrecarga acortará la vida de servicio de la batería.
3. Cargue el cartucho de batería a temperatura ambiente de 10 ° C - 40 ° C (50 ° F - 104 ° F). Si un cartucho de batería está caliente, déjelo enfriar antes de cargarlo.
4. Recargue el cartucho de la batería una vez cada seis meses si no se va a usar por un periodo extenso.

## DESCRIPCIÓN DEL FUNCIONAMIENTO

### ⚠PRECAUCIÓN:

- Asegúrese siempre de que la herramienta esté apagada y el cartucho de batería extraído antes de realizar cualquier ajuste o comprobación en la herramienta.

### Instalación o desmontaje del cartucho de batería



1. Indicador rojo
2. Botón
3. Cartucho de batería

012144

### ⚠PRECAUCIÓN:

- Apague siempre la herramienta antes de colocar o quitar el cartucho de batería.
- **Sujete la herramienta y el cartucho de la batería con firmeza al colocar o quitar el cartucho.** Si no se sujeta con firmeza la herramienta y el cartucho de la batería, puede ocasionar que se resbalen de sus manos resultando en daños a la herramienta y al cartucho, así como lesiones a la persona.

Para quitar el cartucho de batería, deslícelo de la herramienta mientras desliza el botón sobre la parte delantera del cartucho.

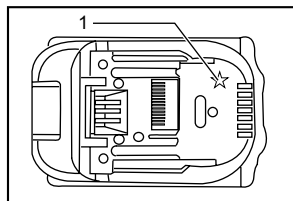
Para colocar el cartucho de batería, alinee la lengüeta sobre el cartucho de batería con la ranura en la carcasa y deslice en su lugar. Inserte por completo hasta que se fije en su lugar con un pequeño clic. Si puede ver el indicador rojo del lado superior del botón, esto indica que no ha quedado fijo por completo.

### ⚠PRECAUCIÓN:

- Introduzca siempre completamente el cartucho de batería hasta que el indicador rojo no pueda verse. Si no, podría accidentalmente salirse de la herramienta y caer al suelo causando una lesión a usted o alguien a su alrededor.
- No instale el cartucho de batería a la fuerza: si el cartucho no se desliza al interior fácilmente, se debe a que no está siendo insertado correctamente.



## Sistema de protección de batería (batería de ión de litio con marca de estrella)



1. Marca de estrella

012128

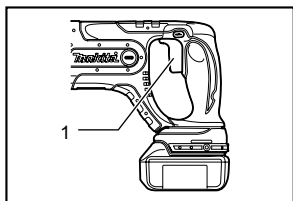
Las baterías de ión de litio con una marca de estrella están equipadas con un sistema de protección. Este sistema corta en forma automática el suministro de energía a la herramienta para prolongar la vida útil de la batería.

La herramienta se detendrá automáticamente durante el funcionamiento si la herramienta y/o la batería se someten a una de las siguientes condiciones:

- **Sobrecarga:**  
La herramienta se está utilizando de una manera que causa que consuma una cantidad de corriente inusualmente alta.  
En este caso, libere el interruptor de gatillo en la herramienta y detenga la aplicación que causó que la herramienta se sobrecargara. Luego, vuelva a jalar el interruptor de gatillo para reanudar el funcionamiento.  
Si la herramienta no empieza a funcionar, significa que la batería se sobrecalentó. En este caso, espere que la batería se enfríe antes de volver a jalar el interruptor de gatillo.

- **Bajo voltaje de la batería:**  
La capacidad restante de la batería es demasiado baja y la herramienta no funcionará. En este caso, extraiga la batería y vuelva a cargarla.

## Accionamiento del interruptor



1. Gatillo interruptor

009120

### ⚠PRECAUCIÓN:

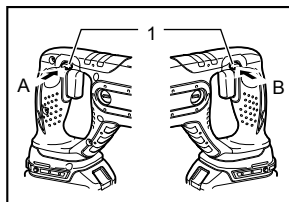
- Antes de insertar el cartucho de batería en la herramienta, compruebe siempre y cerciórese de que el gatillo interruptor se acciona debidamente y que vuelve a la posición "OFF"(apagado) cuando lo suelta.

Para poner en marcha la herramienta, simplemente apriete el gatillo interruptor. La velocidad de la herramienta aumenta incrementando la presión en el gatillo. Suelte el gatillo interruptor para parar.

## Freno eléctrico

Esta herramienta está equipada con un freno eléctrico. Si la herramienta dejase de parar enseguida repetidamente después de soltar el gatillo interruptor, pida a un centro de servicio Makita que le hagan el mantenimiento.

## Accionamiento del conmutador de inversión de giro



1. Palanca del conmutador de inversión de giro

009121

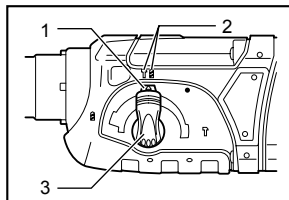
Esta herramienta tiene un conmutador de inversión para cambiar la dirección de giro. Presione hacia dentro la palanca del conmutador de inversión del lado A para giro hacia la derecha o del lado B para giro hacia la izquierda. Cuando la palanca del conmutador de inversión esté en la posición neutral, no se podrá apretar el gatillo interruptor.

### ⚠PRECAUCIÓN:

- Confirme siempre la dirección de giro antes de la operación.
- Utilice el conmutador de inversión solamente después de que la herramienta haya parado completamente. Si cambia la dirección de giro antes de que la herramienta haya parado podrá dañarla.
- Cuando no esté utilizando la herramienta, ponga siempre la palanca del conmutador de inversión en la posición neutral.

## Selección del modo de accionamiento

### Rotación de martillo

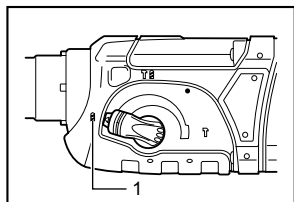


1. Botón de bloqueo  
2. Rotación con martilleo  
3. Perilla que cambia el modo de acción

009122

Para taladrar concreto, mampostería, etc. pulse la traba y gire la perilla que cambia el modo de accionamiento al símbolo . Utilice una broca de carburo de tungsteno.

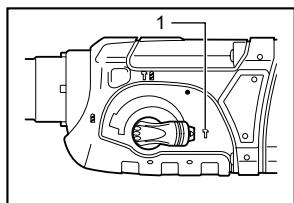
#### Acción de rotación solamente.



009123

Para taladrar madera, metal o plástico, suelte la traba y gire la perilla que cambia el modo de accionamiento al símbolo . Utilice una broca para madera o de espiral.

#### Acción de martillo solamente



009124

Si desea demoler, cortar o tallar, gire la perilla que cambia el modo de acción al símbolo . Utilice un cincel de punta cincel plano, formón, etc.

#### ⚠ PRECAUCIÓN:

- No gire la perilla que cambia el modo de acción cuando la herramienta está en ejecución, ya que puede dañarse.
- Para evitar el desgaste rápido del mecanismo de cambio modo, asegúrese de que la perilla que cambia el modo de accionamiento se encuentre siempre ubicada positivamente en una de las tres posiciones del modo acción.

#### Limitador de torsión

El limitador de torsión se accionará cuando se llega a un determinado nivel de torsión. El motor se desengancha del eje de salida y cuando esto sucede la broca deja de girar.

#### ⚠ PRECAUCIÓN:

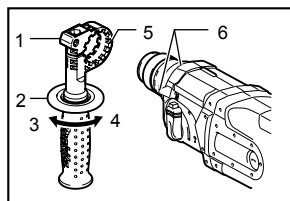
- Si no se acciona bien el limitador de torsión, apague de inmediato la herramienta. De esta manera, evitará el desgaste prematuro de la misma.
- Con esta herramienta, no pueden utilizarse sierras perforadoras ya que tienden a taladrar o a pasar fácilmente por los orificios, lo que provocará que el limitador de torsión se accione con demasiada frecuencia.

## ENSAMBLE

#### ⚠ PRECAUCIÓN:

- Asegúrese siempre de que la herramienta esté apagada y el cartucho de batería extraído antes de realizar cualquier trabajo en la misma.

#### Empuñadura lateral (auxiliar)



009125

1. Base de la empuñadura
2. Empuñadura lateral
3. Aflojar
4. Apretar
5. Dientes
6. Protuberancia

#### ⚠ PRECAUCIÓN:

- Utilice siempre la empuñadura lateral para asegurarse de que opera la herramienta en forma segura.

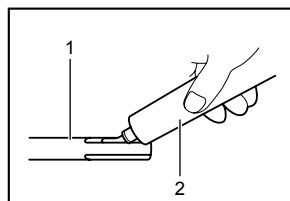
Instale la empuñadura lateral a fin de que los dientes de la empuñadura encajen entre las salientes del cuerpo de la herramienta. Luego ajuste la empuñadura a la posición deseada girándola en el sentido de las agujas del reloj. Puede rotarse a 360° para que esté firme en cualquier posición.

#### Grasa para brocas

Cubra la cabeza del zanco de la broca antes de la tarea con una pequeña cantidad de grasa para brocas (aprox. 0,5 g - 1 g ; 0,02 - 0,04 oz.). Esta lubricación del portabrocas asegurará un accionamiento suave y una vida de servicio más larga.

#### Instalación o extracción de la punta.

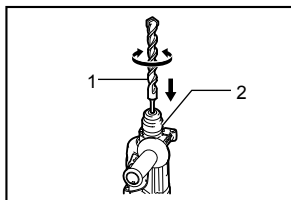
Limpie el zanco del cincel/broca y aplíquelo grasa antes de instalarlo.



001296

1. Zanco de la broca/cincel
2. Grasa para broca/cincel

Inserte la broca o el cincel en la herramienta. Gírelo y presiónelo hacia dentro hasta que quede encajado.



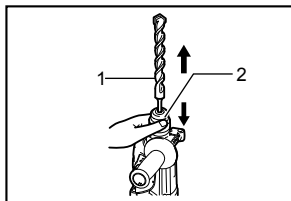
1. Punta
2. Cubierta del mandril

009126

Si la broca no puede ser empujada hacia dentro, extráigala. Tire de la cubierta del mandril hacia abajo unas cuantas veces. Después vuelva a insertar la broca. Gire la broca y presiónela hacia dentro hasta que quede encajada.

Después de la instalación, asegúrese siempre de que esté bien sujeto en el mandril intentando sacarlo.

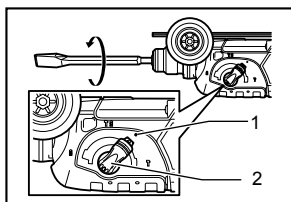
Para retirar la broca/cinzel, jale hacia abajo la cubierta del mandril y empuje la broca/cinzel hacia el exterior.



1. Punta
2. Cubierta del mandril

009127

### Ángulo de cinzel (al cortar, demoler o tallar)

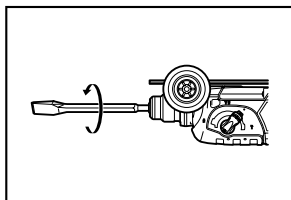


1. Símbolo O
2. Perilla que cambia el modo de acción

009128

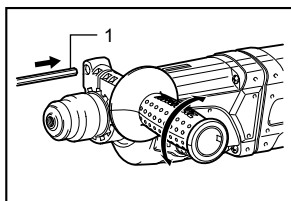
La broca puede colocarse en el ángulo que se desee. Para cambiar el ángulo de la broca, suelte la traba y gire la perilla que cambia el modo de accionamiento al símbolo O. Gire la broca al ángulo deseado.

Suelte la traba y gire la perilla que cambia el modo de accionamiento al símbolo  $\nabla$ . Luego asegúrese de que la broca se encuentra bien fija en su lugar girándola un poco.



009129

### Calibrador de profundidad



1. Calibrador de profundidad

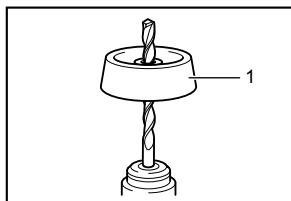
009130

El calibrador de profundidad sirve para taladrar agujeros de profundidad uniforme. Afloje la empuñadura lateral e inserte el calibrador de profundidad en el agujero de la empuñadura lateral. Ajuste el calibrador a la profundidad deseada y apriételo.

### NOTA:

- El calibrador de profundidad no puede ser utilizado en la posición en que éste golpea contra la caja de engranajes.

### Contenedor de polvo (opcional)



1. Contenedor de polvo

001300

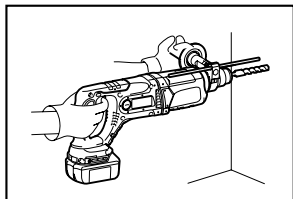
Utilice el contenedor de polvo y evite así que el polvo caiga sobre la herramienta o sobre usted cuando realice perforaciones arriba de usted. Adhiera el contenedor de polvo a la broca como se muestra en la figura. La medida de las brocas a la que puede fijarse el contenedor de polvo es de la siguiente manera.

	Diámetro de la broca
Contenedor de polvo 5	6 mm (1/4") - 14,5 mm (9/16")
Contenedor de polvo 9	12 mm (15/32") - 16 mm (5/8")

006386

# OPERACIÓN

## Operación de taladrado con percusión



009131

Ajuste la perilla que cambia el modo de accionamiento al símbolo

Posicione la broca en el lugar deseado del orificio y luego accione el gatillo interruptor.

No fuerce la herramienta. Con una presión menor, obtiene mejores resultados. Mantenga la herramienta en la posición adecuada y evite que se resbale del orificio.

No haga más presión cuando el orificio esté obstruido con partículas o virutas. Por el contrario, accione la herramienta en vacío y luego retire la broca parcialmente del orificio. Si repite esta acción varias veces, el orificio se limpiará y se reanudará la perforación normal.

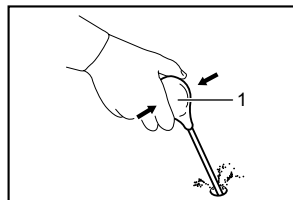
### ⚠PRECAUCIÓN:

- En el momento de comenzar a penetrar, cuando se satura el agujero con virutas y partículas, o cuando se topa contra varillas de refuerzo de hormigón armado, se ejerce una tremenda y repentina fuerza de torsión sobre la herramienta/broca. Utilice siempre la empuñadura lateral (empuñadura auxiliar) y sujete la herramienta firmemente por la empuñadura lateral y empuñadura del interruptor durante las operaciones. En caso contrario podrá resultar en la pérdida del control de la herramienta y posiblemente graves heridas.

### NOTA:

Puede ocurrir el descentramiento de la rotación de la broca al operar la herramienta sin carga. La herramienta se centra sola automáticamente durante su operación y esto no afecta la precisión de la perforación.

## Soplador (Accesorio opcional)

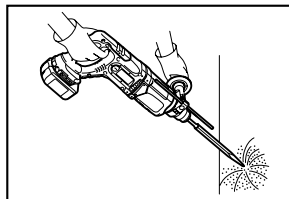


002449

1. Soplador

Después de taladrar el agujero, utilice el soplador para limpiar el polvo del agujero.

## Cancelado/Tallado/Demolición

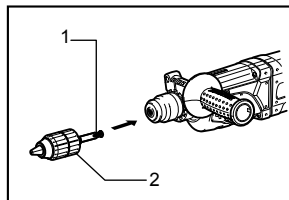


009132

Fije la perilla que cambia el modo de accionamiento al símbolo

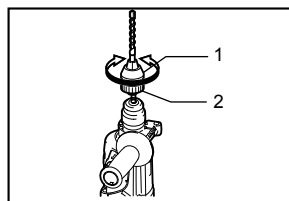
Sostenga la herramienta firmemente con ambas manos. Encienda la herramienta y aplique una leve presión sobre ésta para evitar que la herramienta rebote sin control. Hacer una presión excesiva con la herramienta no mejorará la eficiencia.

## Perforación de madera y metal



009134

1. Adaptador de mandril
2. Mandril sin llave



009135

1. Base de mandril
2. Anillo

Utilice el montaje opcional del mandril. Al instalarlo, consulte la sección "Instalación o remoción de la broca", que aparece en páginas anteriores.

Establezca la perilla que cambia el modo de acción de tal forma que el indicador apunte hacia el símbolo .

### ⚠PRECAUCIÓN:

- Nunca utilice la acción de "rotación con martilleo" cuando el montaje opcional esté instalado en la herramienta. Podría dañarse el montaje opcional del mandril. Además, el mandril puede salirse al invertir la herramienta.

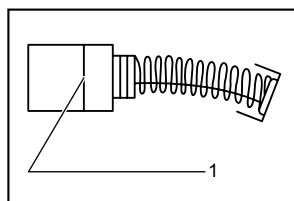
- Con ejercer una presión excesiva sobre la herramienta no conseguirá taladrar más rápido. De hecho, esta presión excesiva sólo servirá para dañar la punta de la broca, disminuir el rendimiento de la herramienta y acortar su vida de servicio.
- Se ejerce una tremenda fuerza de torsión en la broca/herramienta en el momento de pasar por el orificio. Sostenga firmemente la herramienta y tenga cuidado cuando la broca comience a romper la pieza de trabajo.
- Una broca atorada podrá extraerse simplemente poniendo el interruptor de inversión en giro contrario para que retroceda. Sin embargo, la herramienta podrá retroceder bruscamente si no la sujeta firmemente.
- Sujete siempre las piezas de trabajo pequeñas en un tornillo de banco o herramienta de sujeción similar.

## MANTENIMIENTO

### ⚠PRECAUCIÓN:

- Asegúrese siempre de que la herramienta esté apagada y el cartucho de batería extraído antes de intentar realizar una inspección o mantenimiento.
- Nunca use gasolina, bencina, diluyente (tíner), alcohol o sustancias similares. Puede que esto ocasione grietas o descoloramiento.

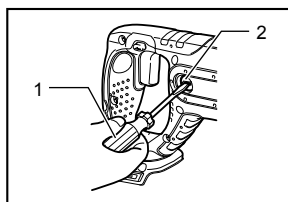
### Reemplazamiento de las escobillas de carbón



1. Marca límite

001145

Extraiga e inspeccione de forma periódica las escobillas de carbón. Sustitúyalas cuando se hayan gastado hasta la marca límite. Mantenga las escobillas de carbón limpias de forma que entren libremente en los portaescobillas. Ambas escobillas de carbón deberán ser sustituidas al mismo tiempo. Utilice únicamente escobillas de carbón originales e idénticas. Utilice un destornillador para quitar las tapas de los portaescobillas. Extraiga las escobillas gastadas, inserte las nuevas y vuelva a colocar las tapas.



1. Destornillador  
2. Tapa del carbón

009133

Después de reemplazar las escobillas, inserte el cartucho de batería en la herramienta y hágale el rodaje a las escobillas haciendo funcionar la herramienta sin carga durante 1 minuto aproximadamente. Después compruebe la herramienta mientras está en marcha y la operación del freno eléctrico cuando suelte el gatillo interruptor. Si el freno eléctrico no funciona bien, pida a su centro de servicio Makita local que se lo repare.

Para mantener la SEGURIDAD y FIABILIDAD del producto, las reparaciones, y cualquier otra tarea de mantenimiento o ajuste deberán ser realizadas en Centros de Servicio Autorizados por Makita, empleando siempre repuestos Makita.

## ACCESORIOS OPCIONALES

### ⚠PRECAUCIÓN:

- Estos accesorios o aditamentos (incluidos o no) están recomendados para utilizar con su herramienta Makita especificada en este manual. El empleo de cualesquiera otros accesorios o acoplamientos conllevará un riesgo de sufrir heridas personales. Utilice los accesorios o acoplamientos solamente para su fin establecido.

Si necesita cualquier ayuda para más detalles en relación con estos accesorios, pregunte a su centro de servicio Makita local.

- Brocas con punta de carburo SDS-Plus
- Punta rompedora
- Cortaferro
- Cíncel desincrustador
- Cíncel ranurado
- Montaje de mandril
- Mandril S13
- Adaptador de mandril
- Llave de mandril S13
- Grasa para brocas
- Empuñadura lateral
- Calibrador de profundidad
- Soplador
- Contenedor de polvo (opcional)
- Acoplamiento extractor de polvo
- Gafas de seguridad
- Maletín de transporte de plástico
- Mandril sin llave
- Batería y cargador originales de Makita

**NOTA:**

- Algunos de los artículos en la lista puede que vengan junto con el paquete de la herramienta como accesorios incluidos. Puede que estos accesorios varíen de país a país.

**GARANTÍA LIMITADA MAKITA DE UN AÑO**

**Ésta Garantía no aplica para México**

**Política de garantía**

Cada herramienta Makita es inspeccionada y probada exhaustivamente antes de salir de fábrica. Se garantiza que va a estar libre de defectos de mano de obra y materiales por el periodo de UN AÑO a partir de la fecha de adquisición original. Si durante este periodo de un año se desarrollase algún problema, retorne la herramienta COMPLETA, porte pagado con antelación, a una de las fábricas o centros de servicio autorizados Makita. Si la inspección muestra que el problema ha sido causado por mano de obra o material defectuoso, Makita la reparará (o a nuestra opción, reemplazará) sin cobrar.

Esta garantía no será aplicable cuando:

- se hayan hecho o intentado hacer reparaciones por otros:
- se requieran reparaciones debido al desgaste normal:
- la herramienta haya sido abusada, mal usada o mantenido indebidamente:
- se hayan hecho alteraciones a la herramienta.

EN NINGÚN CASO MAKITA SE HARÁ RESPONSABLE DE NINGÚN DAÑO INDIRECTO, FORTUITO O CONSECUENCIAL DERIVADO DE LA VENTA O USO DEL PRODUCTO.

ESTA RENUNCIA SERÁ APLICABLE TANTO DURANTE COMO DESPUÉS DEL TÉRMINO DE ESTA GARANTÍA.

MAKITA RENUNCIA LA RESPONSABILIDAD POR CUALQUIER GARANTÍA IMPLÍCITA, INCLUYENDO GARANTÍAS IMPLÍCITAS DE "COMERCIALIDAD" E "IDONEIDAD PARA UN FIN ESPECÍFICO", DESPUÉS DEL TÉRMINO DE UN AÑO DE ESTA GARANTÍA.

Esta garantía le concede a usted derechos legales específicos, y usted podrá tener también otros derechos que varían de un estado a otro. Algunos estados no permiten la exclusión o limitación de daños fortuitos o consecuenciales, por lo que es posible que la antedicha limitación o exclusión no le sea de aplicación a usted. Algunos estados no permiten limitación sobre la duración de una garantía implícita, por lo que es posible que la antedicha limitación no le sea de aplicación a usted.

EN0006-1



< USA only >

# WARNING

Some dust created by power sanding, sawing, grinding, drilling, and other construction activities contains chemicals known to the State of California to cause cancer, birth defects or other reproductive harm. Some examples of these chemicals are:

- lead from lead-based paints,
- crystalline silica from bricks and cement and other masonry products, and
- arsenic and chromium from chemically-treated lumber.

Your risk from these exposures varies, depending on how often you do this type of work. To reduce your exposure to these chemicals: work in a well ventilated area, and work with approved safety equipment, such as those dust masks that are specially designed to filter out microscopic particles.

< Sólo en los Estados Unidos >

# ADVERTENCIA

Algunos polvos creados por el lijado, aserrado, esmerilado, taladrado y otras actividades de la construcción contienen sustancias químicas reconocidas por el Estado de California como causantes de cáncer, defectos de nacimiento y otros peligros de reproducción. Algunos ejemplos de estos productos químicos son:

- plomo de pinturas a base de plomo,
- sílice cristalino de ladrillos y cemento y otros productos de albañilería, y
- arsénico y cromo de maderas tratadas químicamente.

El riesgo al que se expone varía, dependiendo de la frecuencia con la que realice este tipo de trabajo. Para reducir la exposición a estos productos químicos: trabaje en un área bien ventilada y póngase el equipo de seguridad indicado, tal como las máscaras contra polvo que están especialmente diseñadas para filtrar partículas microscópicas.

**Makita Corporation**

3-11-8, Sumiyoshi-cho,  
Anjo, Aichi 446-8502 Japan

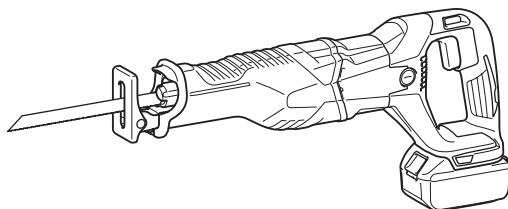


**INSTRUCTION MANUAL  
MANUAL DE INSTRUCCIONES**



# **Cordless Recipro Saw Sierra Recíproca Inalámbrica**

## **XRJ04**



**IMPORTANT:** Read Before Using.

**IMPORTANTE:** Lea antes de usar.

# SPECIFICATIONS

<b>Model:</b>		<b>XRJ04</b>	
Length of stroke		32 mm (1-1/4")	
Strokes per minute		0 - 2,800 /min	
Max. cutting capacities	Pipe	130 mm (5-1/8")	
	Wood	255 mm (10")	
Rated voltage		D.C. 18 V	
Standard battery cartridge		BL1815N, BL1820, BL1820B	BL1830, BL1830B, BL1840, BL1840B, BL1850, BL1850B, BL1860B
Overall length		486 mm (19-1/8")	
Net weight		3.5 kg (7.6 lbs)	3.8 kg (8.3 lbs)

- Due to our continuing program of research and development, the specifications herein are subject to change without notice.
- Specifications and battery cartridge may differ from country to country.
- Weight, with battery cartridge, according to EPTA-Procedure 01/2003

## General power tool safety warnings

**⚠ WARNING: Read all safety warnings and all instructions.** Failure to follow the warnings and instructions may result in electric shock, fire and/or serious injury.

## Save all warnings and instructions for future reference.

The term "power tool" in the warnings refers to your mains-operated (corded) power tool or battery-operated (cordless) power tool.

### Work area safety

1. **Keep work area clean and well lit.** Cluttered or dark areas invite accidents.
2. **Do not operate power tools in explosive atmospheres, such as in the presence of flammable liquids, gases or dust.** Power tools create sparks which may ignite the dust or fumes.
3. **Keep children and bystanders away while operating a power tool.** Distractions can cause you to lose control.

### Electrical Safety

1. **Power tool plugs must match the outlet. Never modify the plug in any way. Do not use any adapter plugs with earthed (grounded) power tools.** Unmodified plugs and matching outlets will reduce risk of electric shock.
2. **Avoid body contact with earthed or grounded surfaces such as pipes, radiators, ranges and refrigerators.** There is an increased risk of electric shock if your body is earthed or grounded.
3. **Do not expose power tools to rain or wet conditions.** Water entering a power tool will increase the risk of electric shock.
4. **Do not abuse the cord. Never use the cord for carrying, pulling or unplugging the power tool. Keep cord away from heat, oil, sharp edges**

**or moving parts.** Damaged or entangled cords increase the risk of electric shock.

5. **When operating a power tool outdoors, use an extension cord suitable for outdoor use.** Use of a cord suitable for outdoor use reduces the risk of electric shock.
6. **If operating a power tool in a damp location is unavoidable, use a ground fault circuit interrupter (GFCI) protected supply.** Use of a GFCI reduces the risk of electric shock.

### Personal Safety

1. **Stay alert, watch what you are doing and use common sense when operating a power tool. Do not use a power tool while you are tired or under the influence of drugs, alcohol or medication.** A moment of inattention while operating power tools may result in serious personal injury.
2. **Use personal protective equipment. Always wear eye protection.** Protective equipment such as dust mask, non-skid safety shoes, hard hat, or hearing protection used for appropriate conditions will reduce personal injuries.
3. **Prevent unintentional starting. Ensure the switch is in the off-position before connecting to power source and/or battery pack, picking up or carrying the tool.** Carrying power tools with your finger on the switch or energising power tools that have the switch on invites accidents.
4. **Remove any adjusting key or wrench before turning the power tool on.** A wrench or a key left attached to a rotating part of the power tool may result in personal injury.
5. **Do not overreach. Keep proper footing and balance at all times.** This enables better control of the power tool in unexpected situations.
6. **Dress properly. Do not wear loose clothing or jewellery. Keep your hair, clothing, and gloves away from moving parts.** Loose clothes, jewellery or long hair can be caught in moving parts.

7. If devices are provided for the connection of dust extraction and collection facilities, ensure these are connected and properly used. Use of dust collection can reduce dust-related hazards.

#### Power tool use and care

1. **Do not force the power tool. Use the correct power tool for your application.** The correct power tool will do the job better and safer at the rate for which it was designed.
2. **Do not use the power tool if the switch does not turn it on and off.** Any power tool that cannot be controlled with the switch is dangerous and must be repaired.
3. **Disconnect the plug from the power source and/or the battery pack from the power tool before making any adjustments, changing accessories, or storing power tools.** Such preventive safety measures reduce the risk of starting the power tool accidentally.
4. **Store idle power tools out of the reach of children and do not allow persons unfamiliar with the power tool or these instructions to operate the power tool.** Power tools are dangerous in the hands of untrained users.
5. **Maintain power tools. Check for misalignment or binding of moving parts, breakage of parts and any other condition that may affect the power tool's operation. If damaged, have the power tool repaired before use.** Many accidents are caused by poorly maintained power tools.
6. **Keep cutting tools sharp and clean.** Properly maintained cutting tools with sharp cutting edges are less likely to bind and are easier to control.
7. **Use the power tool, accessories and tool bits etc. in accordance with these instructions, taking into account the working conditions and the work to be performed.** Use of the power tool for operations different from those intended could result in a hazardous situation.

#### Battery tool use and care

1. **Recharge only with the charger specified by the manufacturer.** A charger that is suitable for one type of battery pack may create a risk of fire when used with another battery pack.
2. **Use power tools only with specifically designated battery packs.** Use of any other battery packs may create a risk of injury and fire.
3. **When battery pack is not in use, keep it away from other metal objects, like paper clips, coins, keys, nails, screws or other small metal objects, that can make a connection from one terminal to another.** Shorting the battery terminals together may cause burns or a fire.
4. **Under abusive conditions, liquid may be ejected from the battery; avoid contact. If contact accidentally occurs, flush with water. If liquid contacts eyes, additionally seek medical help.** Liquid ejected from the battery may cause irritation or burns.

#### Service

1. **Have your power tool serviced by a qualified repair person using only identical replacement parts.** This will ensure that the safety of the power tool is maintained.

2. Follow instruction for lubricating and changing accessories.
3. Keep handles dry, clean and free from oil and grease.

### Cordless reciprocating saw safety warnings

1. **Hold power tool by insulated gripping surfaces, when performing an operation where the cutting accessory may contact hidden wiring.** Cutting accessory contacting a "live" wire may make exposed metal parts of the power tool "live" and could give the operator an electric shock.
2. **Use clamps or another practical way to secure and support the workpiece to a stable platform.** Holding the work by hand or against your body leaves it unstable and may lead to loss of control.
3. **Always use safety glasses or goggles.** Ordinary eye or sun glasses are NOT safety glasses.
4. **Avoid cutting nails. Inspect workpiece for any nails and remove them before operation.**
5. **Do not cut oversize workpiece.**
6. **Check for the proper clearance beyond the workpiece before cutting so that the blade will not strike the floor, workbench, etc.**
7. **Hold the tool firmly.**
8. **Make sure the blade is not contacting the workpiece before the switch is turned on.**
9. **Keep hands away from moving parts.**
10. **Do not leave the tool running. Operate the tool only when hand-held.**
11. **Always switch off and wait for the blade to come to a complete stop before removing the blade from the workpiece.**
12. **Do not touch the blade or the workpiece immediately after operation; they may be extremely hot and could burn your skin.**
13. **Do not operate the tool at no-load unnecessarily.**
14. **Always use the correct dust mask/respirator for the material and application you are working with.**
15. **Some material contains chemicals which may be toxic. Take caution to prevent dust inhalation and skin contact. Follow material supplier safety data.**

### SAVE THESE INSTRUCTIONS.

**⚠WARNING:** DO NOT let comfort or familiarity with product (gained from repeated use) replace strict adherence to safety rules for the subject product. MISUSE or failure to follow the safety rules stated in this instruction manual may cause serious personal injury.

## Symbols

The followings show the symbols used for tool.

V	volts
— — —	direct current
$n_0$	no load speed
... /min r /min	revolutions or reciprocation per minute

## Important safety instructions for battery cartridge

1. Before using battery cartridge, read all instructions and cautionary markings on (1) battery charger, (2) battery, and (3) product using battery.
2. Do not disassemble battery cartridge.
3. If operating time has become excessively shorter, stop operating immediately. It may result in a risk of overheating, possible burns and even an explosion.
4. If electrolyte gets into your eyes, rinse them out with clear water and seek medical attention right away. It may result in loss of your eyesight.
5. Do not short the battery cartridge:
  - (1) Do not touch the terminals with any conductive material.
  - (2) Avoid storing battery cartridge in a container with other metal objects such as nails, coins, etc.
  - (3) Do not expose battery cartridge to water or rain.

A battery short can cause a large current flow, overheating, possible burns and even a breakdown.

6. Do not store the tool and battery cartridge in locations where the temperature may reach or exceed 50 °C (122 °F).
7. Do not incinerate the battery cartridge even if it is severely damaged or is completely worn out. The battery cartridge can explode in a fire.
8. Be careful not to drop or strike battery.
9. Do not use a damaged battery.
10. The contained lithium-ion batteries are subject to the Dangerous Goods Legislation requirements. For commercial transports e.g. by third parties, forwarding agents, special requirement on packaging and labeling must be observed. For preparation of the item being shipped, consulting an expert for hazardous material is required. Please also observe possibly more detailed national regulations. Tape or mask off open contacts and pack up the battery in such a manner that it cannot move around in the packaging.
11. Follow your local regulations relating to disposal of battery.

**SAVE THESE INSTRUCTIONS.**

**CAUTION:** Only use genuine Makita batteries. Use of non-genuine Makita batteries, or batteries that have been altered, may result in the battery bursting causing fires, personal injury and damage. It will also void the Makita warranty for the Makita tool and charger.

## Tips for maintaining maximum battery life

1. Charge the battery cartridge before completely discharged. Always stop tool operation and charge the battery cartridge when you notice less tool power.
2. Never recharge a fully charged battery cartridge. Overcharging shortens the battery service life.
3. Charge the battery cartridge with room temperature at 10 °C - 40 °C (50 °F - 104 °F). Let a hot battery cartridge cool down before charging it.
4. Charge the battery cartridge if you do not use it for a long period (more than six months).

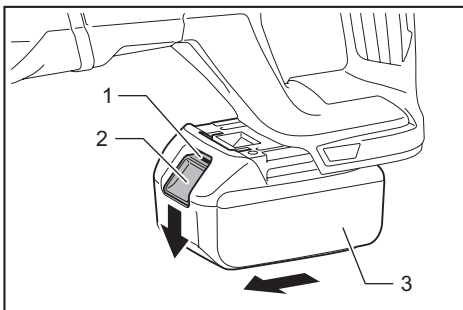
## FUNCTIONAL DESCRIPTION

**CAUTION:** Always be sure that the tool is switched off and the battery cartridge is removed before adjusting or checking function on the tool.

## Installing or removing battery cartridge

**CAUTION:** Always switch off the tool before installing or removing of the battery cartridge.

**CAUTION:** Hold the tool and the battery cartridge firmly when installing or removing battery cartridge. Failure to hold the tool and the battery cartridge firmly may cause them to slip off your hands and result in damage to the tool and battery cartridge and a personal injury.



► 1. Red indicator 2. Button 3. Battery cartridge

To remove the battery cartridge, slide it from the tool while sliding the button on the front of the cartridge.

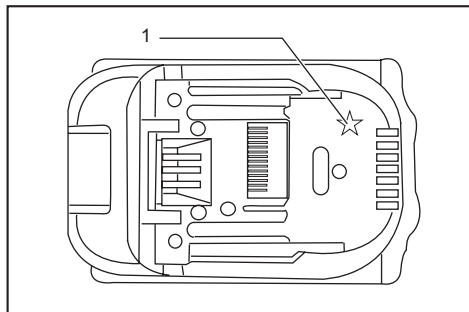
To install the battery cartridge, align the tongue on the battery cartridge with the groove in the housing and slip it into place. Insert it all the way until it locks in place with a little click. If you can see the red indicator on the upper side of the button, it is not locked completely.

**⚠ CAUTION:** Always install the battery cartridge fully until the red indicator cannot be seen. If not, it may accidentally fall out of the tool, causing injury to you or someone around you.

**⚠ CAUTION:** Do not install the battery cartridge forcibly. If the cartridge does not slide in easily, it is not being inserted correctly.

## Battery protection system

### Lithium-ion battery with star marking



► 1. Star marking

Lithium-ion batteries with a star marking are equipped with a protection system. This system automatically cuts off power to the tool to extend battery life. The tool will automatically stop during operation if the tool and/or battery are placed under one of the following conditions:

#### Overloaded:

The tool is operated in a manner that causes it to draw an abnormally high current.

In this situation, turn the tool off and stop the application that caused the tool to become overloaded. Then turn the tool on to restart.

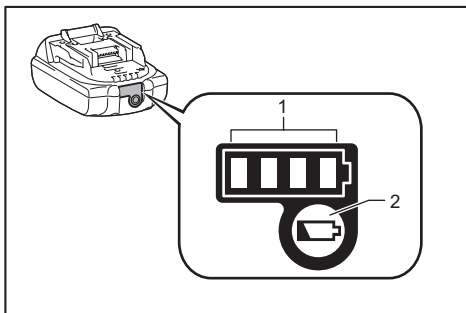
If the tool does not start, the battery is overheated. In this situation, let the battery cool before turning the tool on again.

#### Low battery voltage:

The remaining battery capacity is too low and the tool will not operate. In this situation, remove and recharge the battery.

## Indicating the remaining battery capacity

**Only for battery cartridges with "B" at the end of the model number**



► 1. Indicator lamps 2. Check button

Press the check button on the battery cartridge to indicate the remaining battery capacity. The indicator lamps light up for few seconds.

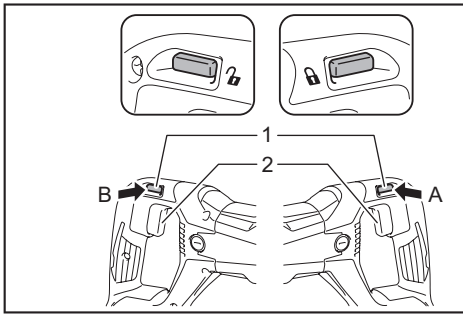
Indicator lamps			Remaining capacity
Lighted	Off	Blinking	
■ ■ ■ ■			75% to 100%
■ ■ ■ □			50% to 75%
■ ■ □ □			25% to 50%
■ □ □ □			0% to 25%
▣ □ □ □			Charge the battery.
■ ■ □ □			The battery may have malfunctioned.
□ □ ■ ■	↑ ↓		

**NOTE:** Depending on the conditions of use and the ambient temperature, the indication may differ slightly from the actual capacity.

## Switch action

**⚠ CAUTION:** Before installing the battery cartridge into the tool, always check to see that the switch trigger actuates properly and returns to the "OFF" position when released.

**⚠ CAUTION:** When not operating the tool, depress the lock-off button from A side to lock the switch trigger in the OFF position.



► 1. Lock-off button 2. Switch trigger

To prevent the switch trigger from accidentally pulled, the lock-off button is provided.

To start the tool, depress the lock-off button from B side and pull the switch trigger.

Tool speed is increased by increasing pressure on the switch trigger. Release the switch trigger to stop. After use, always press in the lock-off button from A side.

## Electric brake



This tool is equipped with an electric brake. If the tool consistently fails to quickly stop after the switch trigger is released, have the tool serviced at a Makita service center.

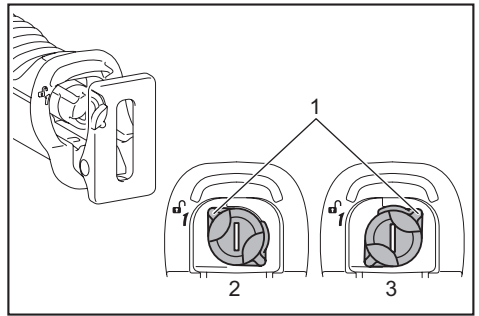
## ASSEMBLY

**CAUTION:** Always be sure that the tool is switched off and the battery cartridge is removed before carrying out any work on the tool.

### Installing or removing the reciprocating saw blade

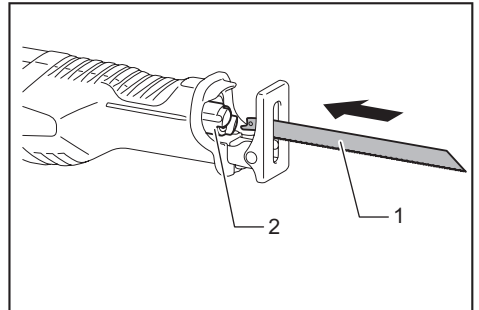
**CAUTION:** Always clean out all chips or foreign matter adhering to the blade and around the blade clamp. Failure to do so may cause insufficient tightening of the blade, resulting in a serious injury.

To install the reciprocating saw blade, always make sure that the blade clamp lever (part of the blade clamp sleeve) is in released position  on the insulation cover before inserting the reciprocating saw blade. If the blade clamp lever is in fixed position, rotate the blade clamp lever in the direction of the arrow so that it can be locked at the released position .




► 1. Blade clamp lever 2. Released position 3. Fixed position

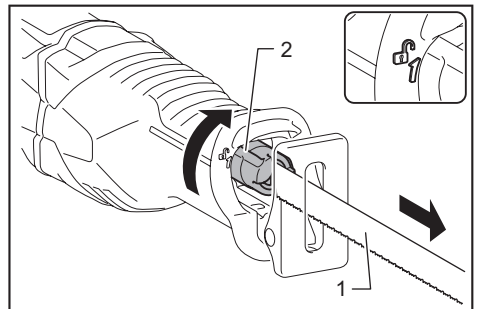
Insert the reciprocating saw blade into the blade clamp as far as it will go. The blade clamp sleeve rotates and fixes the reciprocating saw blade. Make sure that the reciprocating saw blade cannot be extracted even though you try to pull it out.



► 1. Reciprocating saw blade 2. Blade clamp sleeve



**CAUTION:** If you do not insert the reciprocating saw blade deep enough, the reciprocating saw blade may be ejected unexpectedly during operation. This can be extremely dangerous.

To remove the reciprocating saw blade, rotate the blade clamp lever in the direction of the arrow fully. The reciprocating saw blade is removed and the blade clamp lever is fixed at the released position .



► 1. Reciprocating saw blade 2. Blade clamp lever

**CAUTION:** Keep hands and fingers away from the lever during the switching operation. Failure to do so may cause personal injuries.

**NOTE:** If you remove the reciprocating saw blade without rotating the blade clamp lever fully, the lever may not be locked in the released position . In this case, rotate the blade clamp lever fully again, then make sure that the blade clamp lever is locked at the released position .

**NOTE:** If the blade clamp lever is positioned inside the tool, switch on the tool just a second to let the blade out as shown in the figure. Remove the battery cartridge from the tool before installing or removing the reciprocating saw blade.

## OPERATION

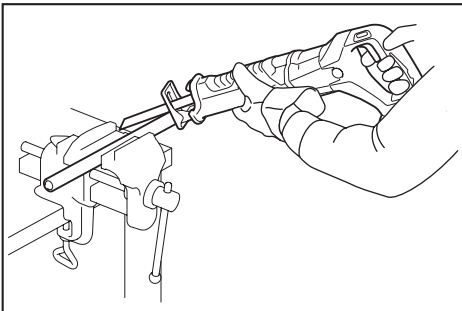
**CAUTION:** Always press the shoe firmly against the workpiece during operation. If the shoe is removed or held away from the workpiece during operation, strong vibration and/or twisting will be produced, causing the blade to snap dangerously.

**CAUTION:** Always wear gloves to protect your hands from hot flying chips when cutting metal.

**CAUTION:** Be sure to always wear suitable eye protection which conforms with current national standards.

**CAUTION:** Always use a suitable coolant (cutting oil) when cutting metal. Failure to do so will cause premature blade wear.

Press the shoe firmly against the workpiece. Do not allow the tool to bounce. Bring the reciprocating saw blade into light contact with the workpiece. First, make a pilot groove using a slower speed. Then use a faster speed to continue cutting.

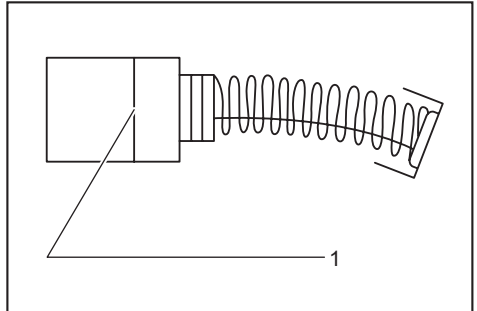


## MAINTENANCE

**CAUTION:** Always be sure that the tool is switched off and the battery cartridge is removed before attempting to perform inspection or maintenance.

**NOTICE:** Never use gasoline, benzene, thinner, alcohol or the like. Discoloration, deformation or cracks may result.

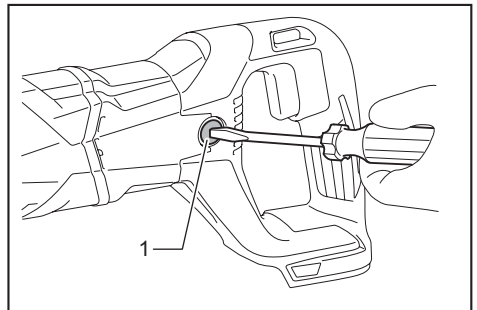
### Replacing carbon brushes



► 1. Limit mark

Check the carbon brushes regularly. Replace them when they wear down to the limit mark. Keep the carbon brushes clean and free to slip in the holders. Both carbon brushes should be replaced at the same time. Use only identical carbon brushes.

1. Use a screwdriver to remove the brush holder caps.
2. Take out the worn carbon brushes, insert the new ones and secure the brush holder caps.



► 1. Brush holder cap

3. Insert the battery cartridge into the tool and break in brushes by running tool with no load for about 1 minute.
4. Check the tool while running and electric brake operation when releasing the switch trigger. If electric brake is not working well, ask your local Makita service center for repair.

To maintain product SAFETY and RELIABILITY, repairs, any other maintenance or adjustment should be performed by Makita Authorized or Factory Service Centers, always using Makita replacement parts.

# OPTIONAL ACCESSORIES

**⚠ CAUTION:** These accessories or attachments are recommended for use with your Makita tool specified in this manual. The use of any other accessories or attachments might present a risk of injury to persons. Only use accessory or attachment for its stated purpose.

If you need any assistance for more details regarding these accessories, ask your local Makita Service Center.

- Recipro saw blades
- Makita genuine battery and charger

**NOTE:** Some items in the list may be included in the tool package as standard accessories. They may differ from country to country.

## MAKITA LIMITED ONE YEAR WARRANTY

### Warranty Policy

Every Makita tool is thoroughly inspected and tested before leaving the factory. It is warranted to be free of defects from workmanship and materials for the period of ONE YEAR from the date of original purchase.

Should any trouble develop during this one year period, return the COMPLETE tool, freight prepaid, to one of Makita's Factory or Authorized Service Centers. If inspection shows the trouble is caused by defective workmanship or material, Makita will repair (or at our option, replace) without charge.

This Warranty does not apply where:

- repairs have been made or attempted by others:
- repairs are required because of normal wear and tear:
- the tool has been abused, misused or improperly maintained:
- alterations have been made to the tool.

IN NO EVENT SHALL MAKITA BE LIABLE FOR ANY INDIRECT, INCIDENTAL OR CONSEQUENTIAL DAMAGES FROM THE SALE OR USE OF THE PRODUCT. THIS DISCLAIMER APPLIES BOTH DURING AND AFTER THE TERM OF THIS WARRANTY.

MAKITA DISCLAIMS LIABILITY FOR ANY IMPLIED WARRANTIES, INCLUDING IMPLIED WARRANTIES OF "MERCHANTABILITY" AND "FITNESS FOR A SPECIFIC PURPOSE," AFTER THE ONE YEAR TERM OF THIS WARRANTY.

This Warranty gives you specific legal rights, and you may also have other rights which vary from state to state. Some states do not allow the exclusion or limitation of incidental or consequential damages, so the above limitation or exclusion may not apply to you. Some states do not allow limitation on how long an implied warranty lasts, so the above limitation may not apply to you.



# ESPECIFICACIONES

<b>Modelo:</b>		<b>XRJ04</b>	
Extensión de la carrera		32 mm (1-1/4")	
Carreras por minuto		0 - 2 800 cpm	
Capacidad máxima de corte	Tubo	130 mm (5-1/8")	
	Madera	255 mm (10")	
Tensión nominal		18 V c.c.	
Cartucho de batería estándar		BL1815N, BL1820, BL1820B	BL1830, BL1830B, BL1840, BL1840B, BL1850, BL1850B, BL1860B
Longitud total		486 mm (19-1/8")	
Peso neto		3,5 kg (7,6 lbs)	3,8 kg (8,3 lbs)

- Debido a nuestro continuo programa de investigación y desarrollo, las especificaciones aquí incluidas están sujetas a cambio sin previo aviso.
- Las especificaciones y el cartucho de batería pueden variar de país a país.
- Peso de acuerdo al procedimiento de EPTA-01/2003 incluyendo el cartucho de batería

## Advertencias generales de seguridad para herramientas eléctricas

**⚠ ADVERTENCIA:** Lea todas las advertencias de seguridad e instrucciones. El no seguir las advertencias e instrucciones indicadas puede ocasionar una descarga eléctrica, un incendio y/o lesiones graves.

## Conserve todas las advertencias e instrucciones como referencia en el futuro.

En las advertencias, el término "herramienta eléctrica" se refiere a su herramienta eléctrica de funcionamiento con conexión a la red eléctrica (con cableado eléctrico) o herramienta eléctrica de funcionamiento a batería (inalámbrica).

### Seguridad en el área de trabajo

1. **Mantenga el área de trabajo limpia y bien iluminada.** Las áreas oscuras o desordenadas son propensas a accidentes.
2. **No utilice las herramientas eléctricas en atmósferas explosivas, tal como en la presencia de líquidos, gases o polvo inflamables.** Las herramientas eléctricas crean chispas que pueden prender fuego al polvo o los humos.
3. **Mantenga a los niños y curiosos alejados mientras utiliza una herramienta eléctrica.** Las distracciones le pueden hacer perder el control.

### Seguridad eléctrica

1. **Las clavijas de conexión de las herramientas eléctricas deberán encajar perfectamente en la toma de corriente. No modifique nunca la clavija de conexión de ninguna forma. No utilice ninguna clavija adaptadora con herramientas eléctricas que tengan conexión a tierra (puesta**

**a tierra).** La utilización de clavijas no modificadas y que encajen perfectamente en la toma de corriente reducirá el riesgo de que se produzca una descarga eléctrica.

2. **Evite tocar con el cuerpo superficies conectadas a tierra o puestas a tierra tales como tubos, radiadores, cocinas y refrigeradores.** Si su cuerpo es puesto a tierra o conectado a tierra existirá un mayor riesgo de que sufra una descarga eléctrica.
3. **No exponga las herramientas eléctricas a la lluvia ni a condiciones húmedas.** La entrada de agua en una herramienta eléctrica aumentará el riesgo de que se produzca una descarga eléctrica.
4. **No maltrate el cable. Nunca utilice el cable para transportar, jalar o desconectar la herramienta eléctrica. Mantenga el cable alejado del calor, aceite, objetos cortantes o piezas móviles.** Los cables dañados o enredados aumentan el riesgo de sufrir una descarga eléctrica.
5. **Cuando utilice una herramienta eléctrica en exteriores, utilice un cable de extensión apropiado para uso en exteriores.** La utilización de un cable apropiado para uso en exteriores reducirá el riesgo de que se produzca una descarga eléctrica.
6. **Si no es posible evitar usar una herramienta eléctrica en condiciones húmedas, utilice un alimentador protegido con interruptor de circuito de falla a tierra (ICFT).** El uso de un ICFT reduce el riesgo de descarga eléctrica.

### Seguridad personal

1. **Manténgase alerta, preste atención a lo que está haciendo y utilice su sentido común cuando opere una herramienta eléctrica. No utilice una herramienta eléctrica cuando esté cansado o bajo la influencia de drogas, alcohol o medicamentos.** Un momento de distracción mientras opera las herramientas eléctricas puede terminar en una lesión grave.

2. **Use equipo de protección personal. Póngase siempre protección para los ojos.** El equipo protector tal como máscara contra el polvo, zapatos de seguridad antiderrapantes, casco rígido y protección para oídos utilizado en las condiciones apropiadas reducirá el riesgo de lesiones.
3. **Impida el encendido accidental. Asegúrese de que el interruptor esté en la posición de apagado antes de conectar a la alimentación eléctrica y/o de colocar el cartucho de batería, así como al levantar o cargar la herramienta.** Cargar las herramientas eléctricas con su dedo en el interruptor o enchufarlas con el interruptor encendido hace que los accidentes sean comunes.
4. **Retire cualquier llave de ajuste o llave de apriete antes de encender la herramienta.** Una llave de ajuste o llave de apriete que haya sido dejada puesta en una parte giratoria de la herramienta eléctrica puede ocasionar alguna lesión.
5. **No utilice la herramienta donde no alcance. Mantenga los pies sobre suelo firme y el equilibrio en todo momento.** Esto permite un mejor control de la herramienta eléctrica en situaciones inesperadas.
6. **Use vestimenta apropiada. No use ropas sueltas ni joyas. Mantenga el cabello, la ropa y los guantes alejados de las piezas móviles.** Las prendas de vestir holgadas, las joyas y el cabello suelto podrían engancharse en las piezas móviles.
7. **Si dispone de dispositivos para la conexión de equipos de extracción y recolección de polvo, asegúrese de conectarlos y utilizarlos debidamente.** Hacer uso de la recolección de polvo puede reducir los riesgos relacionados con el polvo.

#### Mantenimiento y uso de la herramienta eléctrica

1. **No fuerce la herramienta eléctrica. Utilice la herramienta eléctrica correcta para su aplicación.** La herramienta eléctrica adecuada hará un mejor trabajo y de forma más segura a la velocidad para la que ha sido fabricada.
2. **No utilice la herramienta eléctrica si el interruptor no la enciende y apaga.** Cualquier herramienta eléctrica que no pueda ser controlada con el interruptor es peligrosa y debe ser reemplazada.
3. **Desconecte la clavija de la fuente de energía y/o la batería de la herramienta eléctrica antes de realizar ajustes, cambiar accesorios o guardar las herramientas eléctricas.** Dichas medidas de seguridad preventivas reducen el riesgo de que la herramienta se inicie accidentalmente.
4. **Guarde la herramienta eléctrica que no use fuera del alcance de los niños y no permita que las personas que no están familiarizadas con ella o con las instrucciones la operen.** Las herramientas eléctricas son peligrosas en manos de personas que no saben operarlas.
5. **Realice el mantenimiento a las herramientas eléctricas. Compruebe que no haya partes móviles desalineadas o estancadas, piezas rotas y cualquier otra condición que pueda afectar al funcionamiento de la herramienta**

eléctrica. Si la herramienta eléctrica está dañada, haga que se la reparen antes de utilizarla. Muchos accidentes son ocasionados por herramientas eléctricas con mantenimiento inadecuado.

6. **Mantenga las herramientas de corte limpias y filosas.** Si recibe un mantenimiento adecuado y tiene los bordes afilados, es probable que la herramienta se atasque menos y sea más fácil controlarla.
7. **Utilice la herramienta eléctrica, los accesorios y las brocas de acuerdo con estas instrucciones, considerando las condiciones laborales y el trabajo a realizar.** Si utiliza la herramienta eléctrica para realizar operaciones distintas de las indicadas, podrá presentarse una situación peligrosa.

#### Uso y cuidado de la herramienta a batería

1. **Recargue sólo con el cargador especificado por el fabricante.** Un cargador que es adecuado para un solo tipo de batería puede generar riesgo de incendio al ser utilizado con otra batería.
2. **Utilice las herramientas eléctricas solamente con las baterías designadas específicamente para ellas.** La utilización de cualquier otra batería puede crear un riesgo de lesiones o incendio.
3. **Cuando no se esté usando la batería, manténgala alejada de otros objetos metálicos, como sujetapapeles (clips), monedas, llaves, clavos, tornillos u otros objetos pequeños de metal los cuales pueden actuar creando una conexión entre las terminales de la batería.** Originar un cortocircuito en las terminales puede causar quemaduras o incendios.
4. **En condiciones abusivas, podrá escapar líquido de la batería; evite tocarlo. Si lo toca accidentalmente, enjuague con agua. Si hay contacto del líquido con los ojos, busque asistencia médica.** Puede que el líquido expulsado de la batería cause irritación o quemaduras.

#### Servicio

1. **Haga que una persona calificada repare la herramienta eléctrica utilizando sólo piezas de repuesto idénticas.** Esto asegura que se mantenga la seguridad de la herramienta eléctrica.
2. **Siga las instrucciones para la lubricación y cambio de accesorios.**
3. **Mantenga las agarraderas secas, limpias y sin aceite o grasa.**

### Advertencias de seguridad de la sierra recíproca inalámbrica

1. **Sujete la herramienta eléctrica por las superficies aisladas de sujeción al realizar una operación en la que el accesorio de corte pueda entrar en contacto con cables ocultos.** El accesorio de corte que haga contacto con un cable electrificado puede dejarlo expuesto y electrificar las piezas metálicas de la herramienta, lo cual podría ocasionar una descarga eléctrica al operador.
2. **Utilice abrazaderas o algún otro modo práctico para asegurar y sujetar la pieza de trabajo a una plataforma estable.** Sostener la pieza de trabajo con la mano o contra su cuerpo produce inestabilidad y una posible pérdida de control.

3. Use siempre gafas de seguridad o protectoras. Los anteojos comunes o para el sol NO son gafas de seguridad.
4. Evite cortar clavos. Revise la pieza de trabajo y quite todos los clavos antes de utilizar la herramienta.
5. No corte piezas de trabajo demasiado grandes.
6. Compruebe que hay espacio suficiente más allá de la pieza de trabajo antes de cortar para que el disco no golpee el suelo, el banco de trabajo, etc.
7. Sujete la herramienta con firmeza.
8. Asegúrese de que el disco no esté haciendo contacto con la pieza de trabajo antes de activar el interruptor.
9. Mantenga las manos alejadas de las partes móviles.
10. No deje la herramienta funcionando. Ponga la herramienta en marcha únicamente cuando la tenga con usted.
11. Siempre apague la herramienta y espere a que el disco se haya detenido por completo antes de retirarlo de la pieza de trabajo.
12. No toque el disco o la pieza de trabajo inmediatamente después de la operación; podrían estar muy calientes y causarle quemaduras.
13. No opere la herramienta al vacío innecesariamente.
14. Siempre utilice la máscara contra polvo/el respirador indicado para el material y la aplicación con los que esté trabajando.
15. Algunos materiales contienen sustancias químicas que pueden ser tóxicas. Evite inhalar polvo y que éste entre en contacto con la piel. Consulte la hoja de seguridad de materiales del proveedor.

## GUARDE ESTAS INSTRUCCIONES.

**⚠ ADVERTENCIA:** NO DEJE que la comodidad o familiaridad con el producto (a base de utilizarlo repetidamente) evite que siga estrictamente las normas de seguridad para dicho producto. El USO INCORRECTO o el no seguir las normas de seguridad indicadas en este manual de instrucciones puede ocasionar lesiones graves.

## Símbolos

A continuación se muestran los símbolos utilizados para la herramienta.

V	volts o voltios
— — —	corriente directa o continua
$n_s$	velocidad sin carga
... /min r /min	revoluciones o alternaciones por minuto, frecuencia de rotación

## Instrucciones importantes de seguridad para el cartucho de batería

1. Antes de utilizar el cartucho de batería, lea todas las instrucciones e indicaciones de precaución en el (1) el cargador de batería, (2) la batería, y (3) el producto con el que se utiliza la batería.
2. No desarme el cartucho de batería.
3. Si el tiempo de operación se ha acortado en exceso, deje de operar de inmediato. Podría correrse el riesgo de sobrecalentamiento, posibles quemaduras e incluso explosión.
4. En caso de que ingresen electrolitos en sus ojos, enjuáguelos bien con agua limpia y consulte de inmediato a un médico. Esto podría ocasionar pérdida de visión.
5. Evite cortocircuitar el cartucho de batería:
  - (1) No toque las terminales con ningún material conductor.
  - (2) Evite guardar el cartucho de batería en un cajón junto con otros objetos metálicos, tales como clavos, monedas, etc.
  - (3) No exponga el cartucho de batería al agua o la lluvia.

Un cortocircuito en la batería puede causar un flujo grande de corriente, sobrecalentamiento, posibles quemaduras e incluso una descompostura.
6. No guarde la herramienta ni el cartucho de batería en lugares donde la temperatura pueda alcanzar o exceder los 50°C (122°F).
7. Nunca incinere el cartucho de batería incluso en el caso de que esté dañado seriamente o ya no sirva en absoluto. El cartucho de batería puede explotar si se tira al fuego.
8. Tenga cuidado de no dejar caer ni golpear la batería.
9. No use una batería dañada.
10. Las baterías de ión de litio están sujetas a los requisitos reglamentarios en materia de bienes peligrosos.
 

Para el transporte comercial, por ej., mediante terceros o agentes de transporte, se deben tomar en cuenta los requisitos especiales relativos al empaque y el etiquetado.

Para efectuar los preparativos del artículo que se va a enviar, se requiere consultar a un experto en materiales peligrosos. Si es posible, consulte además otras regulaciones nacionales más detalladas.

Pegue o cubra con cinta adhesiva los contactos abiertos y empaque la batería de manera que ésta no pueda moverse dentro del paquete.
11. Siga las regulaciones locales relacionadas al desecho de las baterías.

## GUARDE ESTAS INSTRUCCIONES.

**⚠PRECAUCIÓN:** Utilice únicamente baterías originales de Makita. El uso de baterías no originales de Makita, o de baterías alteradas, puede ocasionar que las baterías exploten causando un incendio, lesiones personales y daños. Asimismo, esto invalidará la garantía de Makita para la herramienta y el cargador Makita.

## Consejos para alargar al máximo la vida útil de la batería

1. Cargue el cartucho de batería antes de que se descargue completamente. Pare siempre la operación y cargue el cartucho de batería cuando note menos potencia en la herramienta.
2. No cargue nunca un cartucho de batería que esté completamente cargado. La sobrecarga acortará la vida de servicio de la batería.
3. Cargue el cartucho de batería a una temperatura ambiente de 10 °C - 40 °C (50 °F - 104 °F). Si un cartucho de batería está caliente, déjelo enfriar antes de cargarlo.
4. Cargue el cartucho de batería si no va a utilizarlo durante un período prolongado (más de seis meses).

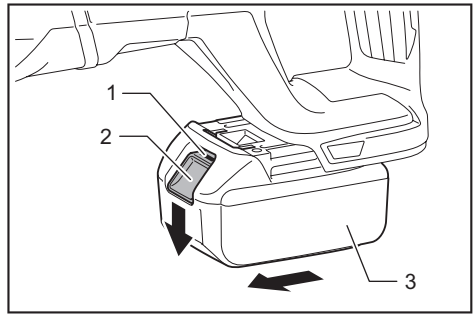
## DESCRIPCIÓN DEL FUNCIONAMIENTO

**⚠PRECAUCIÓN:** Asegúrese siempre de que la herramienta esté apagada y el cartucho de batería haya sido extraído antes de realizar cualquier ajuste o comprobación en la herramienta.

### Instalación o extracción del cartucho de batería

**⚠PRECAUCIÓN:** Apague siempre la herramienta antes de colocar o quitar el cartucho de batería.

**⚠PRECAUCIÓN:** Sujete la herramienta y el cartucho de la batería con firmeza al colocar o quitar el cartucho de batería. Si no se sujeta con firmeza la herramienta y el cartucho de batería, puede ocasionar que se resbalen de sus manos causando daños a la herramienta y al cartucho de batería, así como lesiones a la persona.



► 1. Indicador rojo 2. Botón 3. Cartucho de batería

Para quitar el cartucho de batería, deslícelo de la herramienta mientras desliza el botón sobre la parte delantera del cartucho.

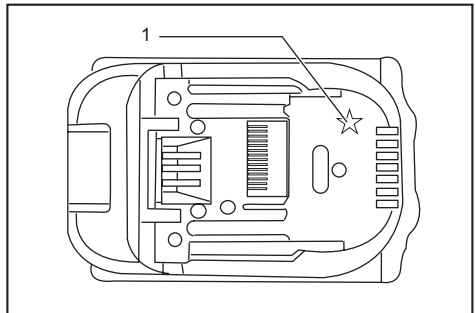
Para colocar el cartucho de batería, alinee la lengüeta sobre el cartucho de batería con la ranura en la carcasa y deslice en su lugar. Inserte por completo hasta que se fije en su lugar con un pequeño clic. Si puede ver el indicador rojo del lado superior del botón, esto indica que no ha quedado fijo por completo.

**⚠PRECAUCIÓN:** Introduzca siempre completamente el cartucho de batería hasta que el indicador rojo no pueda verse. Si no, podría accidentalmente salirse de la herramienta y caer al suelo causando una lesión a usted o alguien a su alrededor.

**⚠PRECAUCIÓN:** No instale el cartucho de batería a la fuerza. Si el cartucho no se desliza al interior fácilmente, se debe a que no está siendo insertado correctamente.

## Sistema de protección de batería

### Batería de ión de litio con marca de estrella



► 1. Marca de estrella

Las baterías de ión de litio con una marca de estrella están equipadas con un sistema de protección. Este sistema corta en forma automática el suministro de energía a la herramienta para prolongar la vida útil de la batería.

La herramienta se detendrá automáticamente durante el funcionamiento si la herramienta y/o la batería se someten a una de las siguientes condiciones:

### Sobrecarga:

La herramienta se está utilizando de una manera que causa que consuma una cantidad de corriente inusualmente alta.

En este caso, apague la herramienta y detenga la aplicación que causó que la herramienta se sobrecargara. Luego encienda la herramienta para reiniciarla.

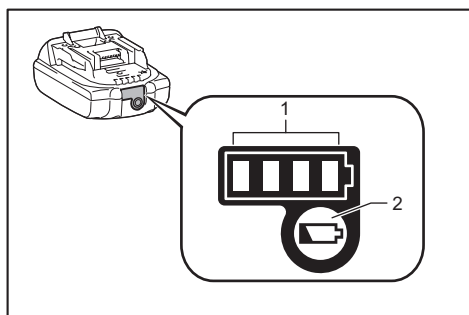
Si la herramienta no arranca, significa que la batería se sobrecalentó. En este caso, espere a que la batería se enfríe antes de volver a encender la herramienta.

### Bajo voltaje de la batería:

La capacidad restante de la batería es demasiado baja y la herramienta no funcionará. En este caso, extraiga la batería y vuelva a cargarla.

## Indicación de la capacidad restante de la batería

Sólo para cartuchos de batería con una "B" al final del número de modelo



► 1. Luces indicadoras 2. Botón de verificación

Oprima el botón de verificación en el cartucho de la batería para que indique la capacidad restante de la batería. Las luces indicadoras se iluminarán por algunos segundos.

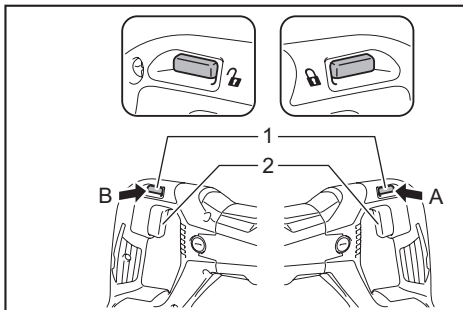
Luces indicadoras			Capacidad restante
Iluminadas	Apagadas	Parpadeando	
■ ■ ■ ■			75% a 100%
■ ■ ■ □			50% a 75%
■ ■ □ □			25% a 50%
■ □ □ □			0% a 25%
▬ □ □ □			Cargar la batería.
■ ■ □ □			La batería pudo haber funcionado mal.
□ □ ■ ■			

**NOTA:** Dependiendo de las condiciones de uso y la temperatura ambiente, la indicación podrá diferir ligeramente de la capacidad real.

## Accionamiento del interruptor

**⚠PRECAUCIÓN:** Antes de insertar el cartucho de batería en la herramienta, compruebe siempre y cerciédese de que el gatillo interruptor se acciona debidamente y que vuelve a la posición "OFF" (apagado) cuando lo suelta.

**⚠PRECAUCIÓN:** Cuando no esté usando la herramienta, presione el botón de desbloqueo del lado A para bloquear el gatillo interruptor en la posición de apagado.



► 1. Botón de desbloqueo 2. Gatillo interruptor

Se dispone de un botón de desbloqueo para evitar que el gatillo interruptor se active accidentalmente.

Para arrancar la herramienta, presione el botón de desbloqueo del lado B y jale el gatillo interruptor.

La velocidad de la herramienta aumenta al incrementar la presión en el gatillo interruptor. Para detenerla, suelte el gatillo interruptor. Después de usarla, presione siempre el botón de desbloqueo del lado A.

## Freno eléctrico



La herramienta está equipada con un freno eléctrico. Si la herramienta falla constantemente en detenerse tras soltar el gatillo interruptor, lleve la herramienta a mantenimiento a un centro de servicio Makita.

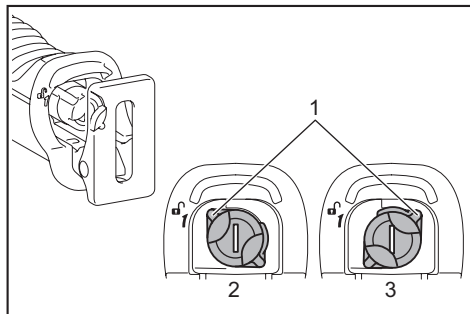
## MONTAJE

**⚠PRECAUCIÓN:** Asegúrese siempre de que la herramienta esté apagada y el cartucho de batería haya sido extraído antes de realizar cualquier trabajo en la misma.

## Instalación o extracción de la següeta recíproca

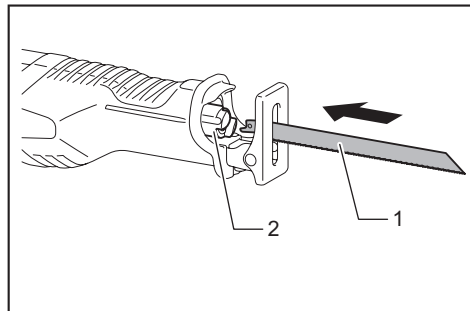
**⚠PRECAUCIÓN:** Limpie siempre las astillas y materias extrañas adheridas al disco y alrededor de la abrazadera de la següeta. En caso contrario, el disco podría quedar no bien apretado ocasionando lesiones graves.

Para instalar la següeta rrcproca, asegürese siempre de que la palanca de la abrazadera de la següeta (parte del manguito de la abrazadera de la següeta) est© en la posici3n liberada  en la cubierta de aislamiento antes de insertar la següeta rrcproca. Si la palanca de la abrazadera de la següeta se encuentra en la posici3n fija, gírela en la direcci3n de la flecha para que pueda ser trabada en la posici3n liberada .




- 1. Palanca de la abrazadera de la següeta  
2. Posici3n liberada 3. Posici3n fija

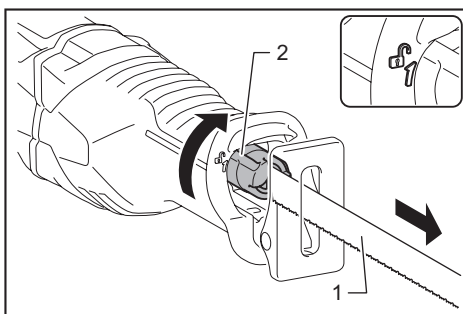
Inserte la següeta rrcproca en el manguito de sujeci3n de la següeta hasta su punto mximo. El manguito de abrazadera de la següeta gira fijando la següeta rrcproca. Asegürese de que la següeta rrcproca no pueda ser extraída incluso cuando intente jalarla hacia afuera.



- 1. Següeta rrcproca 2. Manguito de abrazadera de la següeta



**▲PRECAUCI3N:** De no insertarla completamente, la següeta rrcproca podra ser expulsada inesperadamente durante la operaci3n. Esto puede ser muy peligroso.

Para extraer la següeta rrcproca, gire la palanca de la abrazadera de la següeta completamente en la direcci3n de la flecha. Una vez extraída la següeta rrcproca, la palanca de la abrazadera de la següeta queda fija en la posici3n liberada .



- 1. Següeta rrcproca 2. Palanca de la abrazadera de la següeta

**▲PRECAUCI3N:** Mantenga las manos y dedos alejados de la palanca durante el procedimiento de cambio. El no hacerlo podra ocasionar lesiones personales.

**NOTA:** Si extrae la següeta rrcproca sin girar la palanca de la abrazadera de la següeta por completo, la palanca no podra trabarse en la posici3n liberada . En este caso, vuelva a girar la palanca de la abrazadera de la següeta completamente y asegürese de que quede trabada en la posici3n liberada .

**NOTA:** Si la palanca de la abrazadera de la següeta est colocada en el interior de la herramienta, encienda la herramienta por un segundo para permitir que el disco salga tal como se muestra en la figura. Extraiga el cartucho de batera de la herramienta antes de instalar o extraer la següeta rrcproca.

## OPERACI3N

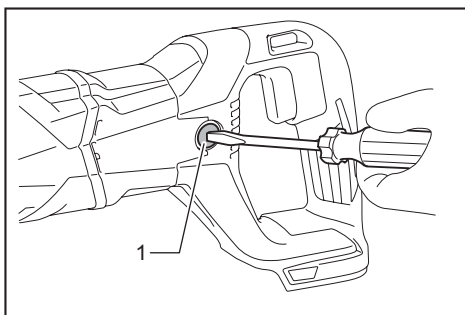
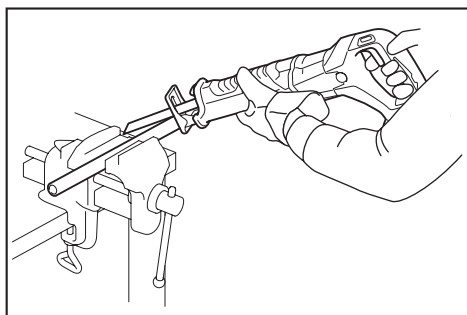
**▲PRECAUCI3N:** Siempre presione firmemente la zapata contra la pieza de trabajo durante la operaci3n. Si durante la operaci3n la zapata es extraída o colocada lejos de la pieza de trabajo, se producir una fuerte vibraci3n y/o torcedura ocasionando que el disco se rompa de manera peligrosa.

**▲PRECAUCI3N:** Siempre use guantes para proteger las manos de las rebabas calientes que salgan despedidas al cortar metales.

**▲PRECAUCI3N:** Asegürese siempre de llevar una protecci3n adecuada en los ojos que cumpla con las normas nacionales vigentes.

**▲PRECAUCI3N:** Utilice siempre lquido refrigerante apropiado (lubricante para cuchillas) al cortar metales. De no hacerlo, el disco se desgastar ms rpido.

Presione la zapata firmemente contra la pieza de trabajo. No permita que la herramienta d© saltos. Coloque la següeta rrcproca de manera que toque ligeramente la pieza de trabajo. Primero, realice un corte de ranura a manera de prueba usando una velocidad ms lenta. Luego use una velocidad ms rpida para continuar el corte.



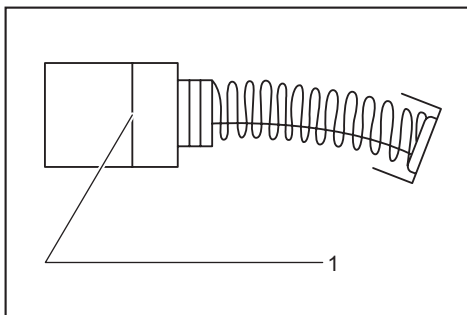
► 1. Tapa del portaescobillas

## MANTENIMIENTO

**⚠PRECAUCIÓN:** Asegúrese siempre de que la herramienta esté apagada y el cartucho de batería extraído antes de intentar realizar una inspección o mantenimiento.

**AVISO:** Nunca use gasolina, bencina, diluyente (tiner), alcohol o sustancias similares. Puede que esto ocasione grietas o descoloramiento.

## Reemplazo de las escobillas de carbón



► 1. Marca límite

Inspeccione regularmente las escobillas de carbón. Reemplácelas una vez que se hayan desgastado hasta la marca límite. Mantenga las escobillas de carbón limpias de forma que entren libremente en los portaescobillas. Ambas escobillas de carbón deberán ser reemplazadas al mismo tiempo. Utilice únicamente escobillas de carbón idénticas.

1. Utilice un destornillador para quitar las tapas del portaescobillas.
2. Extraiga las escobillas de carbón desgastadas, inserte las nuevas y vuelva a colocar las tapas del portaescobillas.

3. Inserte el cartucho de batería en la herramienta y haga el rodaje de las escobillas poniendo a funcionar la herramienta sin carga durante 1 minuto aproximadamente.

4. Revise la herramienta mientras está funcionando y la operación del freno eléctrico cuando suelte el gatillo interruptor. Si el freno eléctrico no funciona bien, solicite a su centro de servicio Makita local que lo reparen.

Para mantener la SEGURIDAD y FIABILIDAD del producto, las reparaciones, y cualquier otra tarea de mantenimiento o ajuste deberán ser realizadas en centros de servicio autorizados o de fábrica Makita, empleando siempre repuestos Makita.

## ACCESORIOS OPCIONALES

**⚠PRECAUCIÓN:** Estos accesorios o aditamentos están recomendados para utilizarse con su herramienta Makita especificada en este manual. El empleo de cualquier otro accesorio o aditamento puede conllevar el riesgo de lesiones personales. Utilice los accesorios o aditamentos solamente para su fin establecido.

Si necesita cualquier ayuda para más detalles en relación con estos accesorios, pregunte a su centro de servicio local Makita.

- Seguetas recíprocas
- Batería y cargador originales de Makita

**NOTA:** Algunos de los artículos en la lista pueden incluirse en el paquete de la herramienta como accesorios estándar. Éstos pueden variar de país a país.



## **GARANTÍA LIMITADA DE UN AÑO DE MAKITA**

### **Ésta Garantía no aplica para México Política de garantía**

Cada herramienta Makita es inspeccionada y probada exhaustivamente antes de salir de la fábrica. Se garantiza que está libre de defectos de mano de obra y materiales por el período de UN AÑO a partir de la fecha original de compra. Si durante este período de un año se desarrollara algún problema, devuelva la herramienta COMPLETA, con el envío prepagado, a un centro de servicio autorizado o de fábrica Makita. Si la inspección muestra que el problema ha sido a causa de un defecto de mano de obra o material, Makita hará la reparación (o a su discreción, el reemplazo) sin ningún cargo. Esta garantía no aplica cuando:

- las reparaciones se hayan hecho o intentado hacer por otros;
- se requieran reparaciones debido al desgaste normal;
- la herramienta haya sido maltratada, recibido un mal uso o haya recibido un mantenimiento inapropiado;
- se hayan hecho modificaciones a la herramienta.

EN NINGÚN CASO MAKITA SE HARÁ RESPONSABLE DE NINGÚN DAÑO INDIRECTO, INCIDENTAL, O DERIVADO DE LA VENTA O USO DEL PRODUCTO. ESTE DESCARGO DE RESPONSABILIDAD APLICA DURANTE Y DESPUÉS DEL PLAZO DE ESTA GARANTÍA. MAKITA RENUNCIA A LA RESPONSABILIDAD POR CUALQUIER GARANTÍA IMPLÍCITA, INCLUYENDO GARANTÍAS DE "COMERCIABILIDAD" Y "ADECUACIÓN PARA UN PROPÓSITO ESPECÍFICO", DESPUÉS DEL PLAZO DE UN AÑO DE ESTA GARANTÍA.

Esta garantía le concede derechos legales específicos y usted podrá tener también otros derechos que varían de un estado a otro. Algunos estados no permiten la exclusión o limitación de daños incidentales o consecuentes, por lo que la limitación o exclusión arriba mencionada podría no aplicar para usted. Algunos estados no permiten la limitación sobre la duración de una garantía implícita, por lo que la limitación arriba mencionada podría no aplicar para usted.









< USA only >

# WARNING

Some dust created by power sanding, sawing, grinding, drilling, and other construction activities contains chemicals known to the State of California to cause cancer, birth defects or other reproductive harm. Some examples of these chemicals are:

- lead from lead-based paints,
- crystalline silica from bricks and cement and other masonry products, and
- arsenic and chromium from chemically-treated lumber.

Your risk from these exposures varies, depending on how often you do this type of work. To reduce your exposure to these chemicals: work in a well ventilated area, and work with approved safety equipment, such as those dust masks that are specially designed to filter out microscopic particles.

< Sólo en los Estados Unidos >

# ADVERTENCIA

Algunos polvos creados por el lijado, aserrado, esmerilado, taladrado y otras actividades de la construcción contienen sustancias químicas reconocidas por el Estado de California como causantes de cáncer, defectos de nacimiento y otros peligros de reproducción. Algunos ejemplos de estos productos químicos son:

- plomo de pinturas a base de plomo,
- sílice cristalino de ladrillos y cemento y otros productos de albañilería, y
- arsénico y cromo de maderas tratadas químicamente.

El riesgo al que se expone varía, dependiendo de la frecuencia con la que realice este tipo de trabajo. Para reducir la exposición a estos productos químicos: trabaje en un área bien ventilada y póngase el equipo de seguridad indicado, tal como las máscaras contra polvo que están especialmente diseñadas para filtrar partículas microscópicas.

**Makita Corporation**

3-11-8, Sumiyoshi-cho,  
Anjo, Aichi 446-8502 Japan

[www.makita.com](http://www.makita.com)

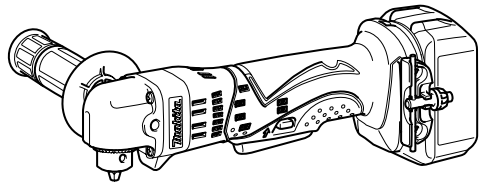
885454A947  
XRJ04-1  
EN, ESMX  
20160223



INSTRUCTION MANUAL  
MANUEL D'INSTRUCTION  
MANUAL DE INSTRUCCIONES

# Cordless Angle Drill Perceuse d'Angle sans Fil Taladro Angular

XAD01



014174

**IMPORTANT:** Read Before Using.  
**IMPORTANT:** Lire avant usage.  
**IMPORTANTE:** Leer antes de usar.

## ENGLISH (Original instructions)

# SPECIFICATIONS

Model		XAD01	
Capacities	Steel	10 mm (3/8")	
	Wood	25 mm (1")	
No load speed (RPM)		0 - 1,800 /min	
Overall length		314 mm (12-3/8")	
Net weight		1.5 kg (3.3 lbs)	1.8 kg (4.0 lbs)
Rated voltage		D.C. 18 V	
Standard battery cartridges		BL1815N	BL1830 / BL1840

- Due to our continuing program of research and development, the specifications herein are subject to change without notice.
- Specifications and battery cartridge may differ from country to country.
- Weight, with battery cartridge, according to EPTA-Procedure 01/2003

GEA006-2

## General Power Tool Safety Warnings

**⚠ WARNING** Read all safety warnings and all instructions. Failure to follow the warnings and instructions may result in electric shock, fire and/or serious injury.

## Save all warnings and instructions for future reference.

The term "power tool" in the warnings refers to your mains-operated (corded) power tool or battery-operated (cordless) power tool.

### Work area safety

1. **Keep work area clean and well lit.** Cluttered or dark areas invite accidents.
2. **Do not operate power tools in explosive atmospheres, such as in the presence of flammable liquids, gases or dust.** Power tools create sparks which may ignite the dust or fumes.
3. **Keep children and bystanders away while operating a power tool.** Distractions can cause you to lose control.

### Electrical Safety

4. **Power tool plugs must match the outlet. Never modify the plug in any way. Do not use any adapter plugs with earthed (grounded) power tools.** Unmodified plugs and matching outlets will reduce risk of electric shock.
5. **Avoid body contact with earthed or grounded surfaces such as pipes, radiators, ranges and refrigerators.** There is an increased risk of electric shock if your body is earthed or grounded.
6. **Do not expose power tools to rain or wet conditions.** Water entering a power tool will increase the risk of electric shock.
7. **Do not abuse the cord. Never use the cord for carrying, pulling or unplugging the power tool. Keep cord away from heat, oil, sharp edges or**

**moving parts.** Damaged or entangled cords increase the risk of electric shock.

8. **When operating a power tool outdoors, use an extension cord suitable for outdoor use.** Use of a cord suitable for outdoor use reduces the risk of electric shock.
9. **If operating a power tool in a damp location is unavoidable, use a ground fault circuit interrupter (GFCI) protected supply.** Use of an GFCI reduces the risk of electric shock.

### Personal Safety

10. **Stay alert, watch what you are doing and use common sense when operating a power tool. Do not use a power tool while you are tired or under the influence of drugs, alcohol or medication.** A moment of inattention while operating power tools may result in serious personal injury.
11. **Use personal protective equipment. Always wear eye protection.** Protective equipment such as dust mask, non-skid safety shoes, hard hat, or hearing protection used for appropriate conditions will reduce personal injuries.
12. **Prevent unintentional starting. Ensure the switch is in the off-position before connecting to power source and/or battery pack, picking up or carrying the tool.** Carrying power tools with your finger on the switch or energising power tools that have the switch on invites accidents.
13. **Remove any adjusting key or wrench before turning the power tool on.** A wrench or a key left attached to a rotating part of the power tool may result in personal injury.
14. **Do not overreach. Keep proper footing and balance at all times.** This enables better control of the power tool in unexpected situations.
15. **Dress properly. Do not wear loose clothing or jewellery. Keep your hair, clothing, and gloves away from moving parts.** Loose clothes, jewellery or long hair can be caught in moving parts.

16. **If devices are provided for the connection of dust extraction and collection facilities, ensure these are connected and properly used.** Use of dust collection can reduce dust-related hazards.

#### **Power tool use and care**

17. **Do not force the power tool. Use the correct power tool for your application.** The correct power tool will do the job better and safer at the rate for which it was designed.
18. **Do not use the power tool if the switch does not turn it on and off.** Any power tool that cannot be controlled with the switch is dangerous and must be repaired.
19. **Disconnect the plug from the power source and/or the battery pack from the power tool before making any adjustments, changing accessories, or storing power tools.** Such preventive safety measures reduce the risk of starting the power tool accidentally.
20. **Store idle power tools out of the reach of children and do not allow persons unfamiliar with the power tool or these instructions to operate the power tool.** Power tools are dangerous in the hands of untrained users.
21. **Maintain power tools. Check for misalignment or binding of moving parts, breakage of parts and any other condition that may affect the power tool's operation. If damaged, have the power tool repaired before use.** Many accidents are caused by poorly maintained power tools.
22. **Keep cutting tools sharp and clean.** Properly maintained cutting tools with sharp cutting edges are less likely to bind and are easier to control.
23. **Use the power tool, accessories and tool bits etc. in accordance with these instructions, taking into account the working conditions and the work to be performed.** Use of the power tool for operations different from those intended could result in a hazardous situation.

#### **Battery tool use and care**

24. **Recharge only with the charger specified by the manufacturer.** A charger that is suitable for one type of battery pack may create a risk of fire when used with another battery pack.
25. **Use power tools only with specifically designated battery packs.** Use of any other battery packs may create a risk of injury and fire.
26. **When battery pack is not in use, keep it away from other metal objects, like paper clips, coins, keys, nails, screws or other small metal objects, that can make a connection from one terminal to another.** Shorting the battery terminals together may cause burns or a fire.

27. **Under abusive conditions, liquid may be ejected from the battery; avoid contact. If contact accidentally occurs, flush with water. If liquid contacts eyes, additionally seek medical help.** Liquid ejected from the battery may cause irritation or burns.

#### **Service**

28. **Have your power tool serviced by a qualified repair person using only identical replacement parts.** This will ensure that the safety of the power tool is maintained.
29. **Follow instruction for lubricating and changing accessories.**
30. **Keep handles dry, clean and free from oil and grease.**

GEB051-2

## **CORDLESS DRILL SAFETY WARNINGS**

1. **Use auxiliary handle(s), if supplied with the tool.** Loss of control can cause personal injury.
2. **Hold power tool by insulated gripping surfaces, when performing an operation where the cutting accessory may contact hidden wiring.** Cutting accessory contacting a "live" wire may make exposed metal parts of the power tool "live" and could give the operator an electric shock.
3. **Always be sure you have a firm footing. Be sure no one is below when using the tool in high locations.**
4. **Hold the tool firmly.**
5. **Keep hands away from rotating parts.**
6. **Do not leave the tool running. Operate the tool only when hand-held.**
7. **Do not touch the drill bit or the workpiece immediately after operation; they may be extremely hot and could burn your skin.**
8. **Some material contains chemicals which may be toxic. Take caution to prevent dust inhalation and skin contact. Follow material supplier safety data.**

## **SAVE THESE INSTRUCTIONS.**

### **⚠WARNING:**

**DO NOT** let comfort or familiarity with product (gained from repeated use) replace strict adherence to safety rules for the subject product. **MISUSE** or failure to follow the safety rules stated in this instruction manual may cause serious personal injury.

## Symbols

The followings show the symbols used for tool.

v	·	volts
—	·	direct current
n <sub>0</sub>	·	no load speed
.../min	·	revolutions or reciprocation per minute
r/min		

ENC007-7

## IMPORTANT SAFETY INSTRUCTIONS

### FOR BATTERY CARTRIDGE

1. Before using battery cartridge, read all instructions and cautionary markings on (1) battery charger, (2) battery, and (3) product using battery.
2. Do not disassemble battery cartridge.
3. If operating time has become excessively shorter, stop operating immediately. It may result in a risk of overheating, possible burns and even an explosion.
4. If electrolyte gets into your eyes, rinse them out with clear water and seek medical attention right away. It may result in loss of your eyesight.
5. Do not short the battery cartridge:
  - (1) Do not touch the terminals with any conductive material.
  - (2) Avoid storing battery cartridge in a container with other metal objects such as nails, coins, etc.
  - (3) Do not expose battery cartridge to water or rain.

A battery short can cause a large current flow, overheating, possible burns and even a breakdown.

6. Do not store the tool and battery cartridge in locations where the temperature may reach or exceed 50 ° C (122 ° F).
7. Do not incinerate the battery cartridge even if it is severely damaged or is completely worn out. The battery cartridge can explode in a fire.
8. Be careful not to drop or strike battery.
9. Do not use a damaged battery.

## SAVE THESE INSTRUCTIONS.

### Tips for maintaining maximum battery life

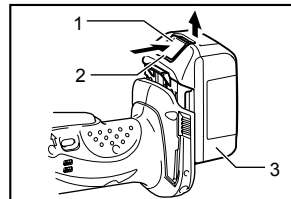
1. Charge the battery cartridge before completely discharged. Always stop tool operation and charge the battery cartridge when you notice less tool power.
2. Never recharge a fully charged battery cartridge. Overcharging shortens the battery service life.
3. Charge the battery cartridge with room temperature at 10 ° C - 40 ° C (50 ° F - 104 ° F). Let a hot battery cartridge cool down before charging it.
4. Charge the battery cartridge once in every six months if you do not use it for a long period of time.

### FUNCTIONAL DESCRIPTION

#### ⚠CAUTION:

- Always be sure that the tool is switched off and the battery cartridge is removed before adjusting or checking function on the tool.

#### Installing or removing battery cartridge



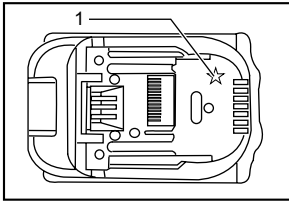
1. Button
2. Red indicator
3. Battery cartridge

014181

- Always switch off the tool before installing or removing of the battery cartridge.
- To remove the battery cartridge, slide it from the tool while sliding the button on the front of the cartridge.
- To install the battery cartridge, align the tongue on the battery cartridge with the groove in the housing and slip it into place. Always insert it all the way until it locks in place with a little click. If you can see the red indicator on the upper side of the button, it is not locked completely. Install it fully until the red indicator cannot be seen. If not, it may accidentally fall out of the tool, causing injury to you or someone around you.
- Do not use force when installing the battery cartridge. If the cartridge does not slide in easily, it is not being inserted correctly.



## Battery protection system (Lithium-ion battery with star marking)



1. Star marking

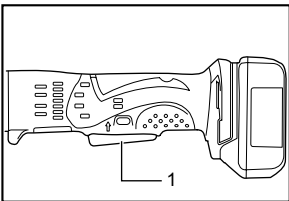
012128

Lithium-ion batteries with a star marking are equipped with a protection system. This system automatically cuts off power to the tool to extend battery life.

The tool will automatically stop during operation if the tool and/or battery are placed under one of the following conditions:

- **Overloaded:**  
The tool is operated in a manner that causes it to draw an abnormally high current. In this situation, release the trigger switch on the tool and stop the application that caused the tool to become overloaded. Then pull the trigger switch again to restart. If the tool does not start, the battery is overheated. In this situation, let the battery cool before pulling the trigger switch again.
- **Low battery voltage:**  
The remaining battery capacity is too low and the tool will not operate. In this situation, remove and recharge the battery.

## Switch action



1. Switch trigger

014177

### ⚠CAUTION:

- Before inserting the battery cartridge into the tool, always check to see that the switch trigger actuates properly and returns to the "OFF" position when released.

To start the tool, simply pull the switch trigger. Tool speed is increased by increasing pressure on the switch trigger. Release the switch trigger to stop.

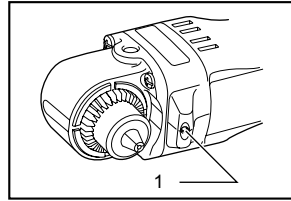
## Electric brake

This tool is equipped with an electric brake. If the tool consistently fails to quickly stop after switch trigger release, have tool serviced at a Makita service center.

### ⚠CAUTION:

- Be sure to hold the tool firmly before the tool is switched off.

## Lighting up the front lamp



1. Lamp

008953

### ⚠CAUTION:

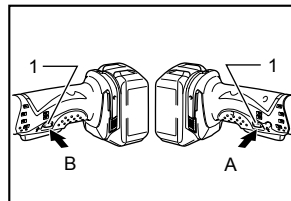
- Do not look in the light or see the source of light directly.

Pull the switch trigger to light up the lamp. The lamp keeps on lighting while the switch trigger is being pulled. The light automatically goes out 10 - 15 seconds after the switch trigger is released.

### NOTE:

- Use a dry cloth to wipe the dirt off the lens of lamp. Be careful not to scratch the lens of lamp, or it may lower the illumination.

## Reversing switch action



1. Reversing switch

014176

This tool has a reversing switch to change the direction of rotation. Depress the reversing switch lever from the A side for clockwise rotation or from the B side for counterclockwise rotation.

When the reversing switch lever is in the neutral position, the switch trigger cannot be pulled.

**⚠CAUTION:**

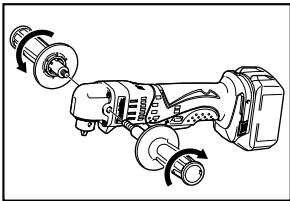
- Always check the direction of rotation before operation.
- Use the reversing switch only after the tool comes to a complete stop. Changing the direction of rotation before the tool stops may damage the tool.
- When not operating the tool, always set the reversing switch lever to the neutral position.

## ASSEMBLY

**⚠CAUTION:**

- Always be sure that the tool is switched off and the battery cartridge is removed before carrying out any work on the tool.

### Installing side grip (auxiliary handle)



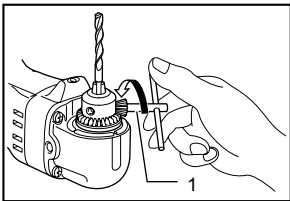
014178

**⚠CAUTION:**

- Always be sure that the side grip is installed securely before operation.

Screw the side grip on the tool securely. The side grip can be installed on either side of the tool, whichever is convenient.

### Installing or removing drill bit



1. Chuck key

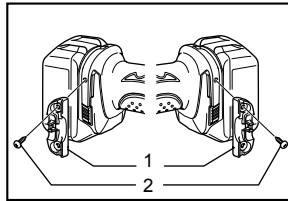
008957

To install the bit, place it in the chuck as far as it will go. Tighten the chuck by hand. Place the chuck key in each of the three holes and tighten clockwise. Be sure to tighten all three chuck holes evenly.

To remove the bit, turn the chuck key counterclockwise in just one hole, then loosen the chuck by hand.

After use, return the chuck key to the storage cavity on the tool.

### Chuck key holder

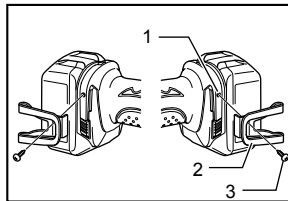


1. Chuck key holder  
2. Screw

014180

To install the chuck key holder, fix it to the convex portion of the tool housing on either side and then secure it with a screw. To remove, loosen the screw and then take it out.

### Hook



1. Groove  
2. Hook  
3. Screw

014179

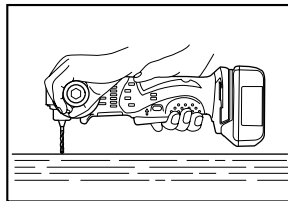
The hook is convenient for temporarily hanging the tool. This can be installed on either side of the tool.

To install the hook, insert it into a groove in the tool housing on either side and then secure it with a screw. To remove, loosen the screw and then take it out.

## OPERATION

**⚠CAUTION:**

- Hold the tool firmly with one hand on the gripping part of the tool and the other hand on the side grip when performing the tool.



014175

### Drilling operation

#### Drilling in metal

To prevent the bit from slipping when starting a hole, make an indentation with a center-punch and hammer at the point to be drilled. Place the point of the bit in the indentation and start drilling.

Use a cutting lubricant when drilling metals. The exceptions are iron and brass which should be drilled dry.

**⚠CAUTION:**

- Pressing excessively on the tool will not speed up the drilling. In fact, this excessive pressure will only serve to damage the tip of your bit, decrease the tool performance and shorten the service life of the tool.
- There is a tremendous force exerted on the tool/bit at the time of hole break through. Hold the tool firmly and exert care when the bit begins to break through the workpiece.
- A stuck bit can be removed simply by setting the reversing switch to reverse rotation in order to back out. However, the tool may back out abruptly if you do not hold it firmly.
- Always secure small workpieces in a vise or similar hold-down device.
- If the tool is operated continuously until the battery cartridge has discharged, allow the tool to rest for 15 minutes before proceeding with a fresh battery.

## MAINTENANCE

**⚠CAUTION:**

- Always be sure that the tool is switched off and the battery cartridge is removed before attempting to perform inspection or maintenance.
- Never use gasoline, benzine, thinner, alcohol or the like. Discoloration, deformation or cracks may result.

To maintain product SAFETY and RELIABILITY, repairs, any other maintenance or adjustment should be performed by Makita Authorized or Factory Service Centers, always using Makita replacement parts.

## OPTIONAL ACCESSORIES

**⚠CAUTION:**

- These accessories or attachments are recommended for use with your Makita tool specified in this manual. The use of any other accessories or attachments might present a risk of injury to persons. Only use accessory or attachment for its stated purpose.

If you need any assistance for more details regarding these accessories, ask your local Makita Service Center.

- Drill bits
- Chuck key
- Chuck key holder
- Hook
- Plastic carrying case
- Various type of Makita genuine batteries and chargers

**NOTE:**

- Some items in the list may be included in the tool package as standard accessories. They may differ from country to country.

## MAKITA LIMITED ONE YEAR WARRANTY

### Warranty Policy

Every Makita tool is thoroughly inspected and tested before leaving the factory. It is warranted to be free of defects from workmanship and materials for the period of ONE YEAR from the date of original purchase. Should any trouble develop during this one year period, return the COMPLETE tool, freight prepaid, to one of Makita's Factory or Authorized Service Centers. If inspection shows the trouble is caused by defective workmanship or material, Makita will repair (or at our option, replace) without charge.

This Warranty does not apply where:

- repairs have been made or attempted by others:
- repairs are required because of normal wear and tear:
- the tool has been abused, misused or improperly maintained:
- alterations have been made to the tool.

IN NO EVENT SHALL MAKITA BE LIABLE FOR ANY INDIRECT, INCIDENTAL OR CONSEQUENTIAL DAMAGES FROM THE SALE OR USE OF THE PRODUCT. THIS DISCLAIMER APPLIES BOTH DURING AND AFTER THE TERM OF THIS WARRANTY.

MAKITA DISCLAIMS LIABILITY FOR ANY IMPLIED WARRANTIES, INCLUDING IMPLIED WARRANTIES OF "MERCHANTABILITY" AND "FITNESS FOR A SPECIFIC PURPOSE," AFTER THE ONE YEAR TERM OF THIS WARRANTY.

This Warranty gives you specific legal rights, and you may also have other rights which vary from state to state. Some states do not allow the exclusion or limitation of incidental or consequential damages, so the above limitation or exclusion may not apply to you. Some states do not allow limitation on how long an implied warranty lasts, so the above limitation may not apply to you.

EN0006-1

## SPÉCIFICATIONS

Modèle		XAD01	
Capacités	Acier	10 mm (3/8")	
	Bois	25 mm (1")	
Vitesse à vide (T/MIN)		0 - 1 800/min	
Longueur totale		314 mm (12-3/8")	
Poids net		1,5 kg (3,3 lbs)	1,8 kg (4,0 lbs)
Tension nominale		C.C. 18 V	
Batteries standard		BL1815N	BL1830 / BL1840

- Étant donné l'évolution constante de notre programme de recherche et de développement, les spécifications contenues dans ce manuel sont sujettes à modification sans préavis.
- Les caractéristiques techniques et la batterie peuvent varier suivant les pays.
- Poids, batterie comprise, conforme à la procédure EPTA de 01/2003

GEA006-2

## Consignes de sécurité générales pour outils électriques

**⚠ MISE EN GARDE** Veuillez lire toutes les mises en garde de sécurité et toutes les instructions. L'ignorance des mises en garde et des instructions comporte un risque de choc électrique, d'incendie et/ou de blessure grave.

## Conservez toutes les mises en garde et instructions pour référence future.

Le terme « outil électrique » qui figure dans les avertissements fait référence à un outil électrique branché sur une prise de courant (par un cordon d'alimentation) ou alimenté par batterie (sans fil).

### Sécurité de la zone de travail

1. **Maintenez la zone de travail propre et bien éclairée.** Les zones de travail encombrées ou sombres ouvrent grande la porte aux accidents.
2. **N'utilisez pas les outils électriques dans les atmosphères explosives, par exemple en présence de liquides, gaz ou poussières inflammables.** Les outils électriques produisent des étincelles au contact desquelles la poussière ou les vapeurs peuvent s'enflammer.
3. **Assurez-vous qu'aucun enfant ou curieux ne s'approche pendant que vous utilisez un outil électrique.** Vous risquez de perdre la maîtrise de l'outil si votre attention est détournée.

### Sécurité en matière d'électricité

4. **Les fiches d'outil électrique sont conçues pour s'adapter parfaitement aux prises de courant. Ne modifiez jamais la fiche de quelque façon que ce soit. N'utilisez aucun**

**adaptateur de fiche sur les outils électriques avec mise à la terre.** En ne modifiant pas les fiches et en les insérant dans des prises de courant pour lesquelles elles ont été conçues vous réduirez les risques de choc électrique.

5. **Évitez tout contact corporel avec les surfaces mises à la terre, telles que les tuyaux, radiateurs, cuisinières et réfrigérateurs.** Le risque de choc électrique est plus élevé si votre corps se trouve mis à la terre.
6. **N'exposez pas les outils électriques à la pluie ou à l'eau.** La présence d'eau dans un outil électrique augmente le risque de choc électrique.
7. **Ne maltraitez pas le cordon. N'utilisez jamais le cordon pour transporter, tirer ou débrancher l'outil électrique. Maintenez le cordon à l'écart des sources de chaleur, de l'huile, des objets à bords tranchants et des pièces en mouvement.** Le risque de choc électrique est plus élevé lorsque les cordons sont endommagés ou enchevêtrés.
8. **Lorsque vous utilisez un outil électrique à l'extérieur, utilisez un cordon prolongateur prévu à cette fin.** Les risques de choc électrique sont moindres lorsqu'un cordon conçu pour l'extérieur est utilisé.
9. **Si vous devez utiliser un outil électrique dans un endroit humide, utilisez une source d'alimentation protégée par un disjoncteur de fuite à la terre.** L'utilisation d'un disjoncteur de fuite à la terre réduit le risque de choc électrique.

### Sécurité personnelle

10. **Restez alerte, attentif à vos mouvements et faites preuve de bon sens lorsque vous utilisez un outil électrique. Évitez d'utiliser un outil électrique si vous êtes fatigué ou si vous avez pris une drogue, de l'alcool ou un**

**médicament.** Un moment d'inattention pendant l'utilisation d'un outil électrique peut entraîner une grave blessure.

11. **Portez des dispositifs de protection personnelle. Portez toujours un protecteur pour la vue.** Les risques de blessure seront moins élevés si vous utilisez des dispositifs de protection tels qu'un masque antipoussières, des chaussures à semelle antidérapante, une coiffure résistante ou une protection d'oreilles.
12. **Évitez les démarrages accidentels. Assurez-vous que l'interrupteur soit en position d'arrêt avant de brancher l'outil à la prise électrique et/ou au bloc-piles, avant de prendre ou de transporter l'outil.** Vous ouvrez la porte aux accidents si vous transportez les outils électriques avec le doigt sur l'interrupteur ou si vous les branchez alors que l'interrupteur est en position de marche.
13. **Retirez toute clé de réglage ou de serrage avant de mettre l'outil sous tension.** Toute clé laissée en place sur une pièce rotative de l'outil électrique peut entraîner une blessure.
14. **Maintenez une bonne position. Assurez-vous d'une bonne prise au sol et d'une bonne position d'équilibre en tout temps.** Cela vous permettra d'avoir une meilleure maîtrise de l'outil dans les situations imprévues.
15. **Portez des vêtements adéquats. Ne portez ni vêtements amples ni bijoux. Vous devez maintenir cheveux, vêtements et gants à l'écart des pièces en mouvement.** Les pièces en mouvement peuvent happer les vêtements amples, les bijoux et les cheveux longs.
16. **Si des accessoires sont fournis pour raccorder un appareil d'aspiration et de collecte de la poussière, assurez-vous qu'ils sont correctement raccordés et qu'ils sont utilisés de manière adéquate.** L'utilisation d'un appareil d'aspiration permet de réduire les risques liés à la présence de poussière dans l'air.

#### **Utilisation et entretien des outils électriques**

17. **Ne forcez pas l'outil électrique. Utilisez l'outil électrique adéquat suivant le type de travail à effectuer.** Si vous utilisez l'outil électrique adéquat et respectez le régime pour lequel il a été conçu, il effectuera un travail de meilleure qualité et de façon plus sécuritaire.
18. **N'utilisez pas l'outil électrique s'il n'est pas possible de mettre sa gâchette en position de marche et d'arrêt.** Un outil électrique dont l'interrupteur est défectueux représente un danger et doit être réparé.
19. **Débranchez la fiche de la source d'alimentation et/ou retirez le bloc-piles de l'outil électrique avant d'effectuer tout réglage, de changer un accessoire ou de ranger l'outil électrique.** De telles mesures préventives réduisent les risques de démarrage accidentel de l'outil électrique.
20. **Après l'utilisation d'un outil électrique, rangez-le hors de portée des enfants et ne laissez aucune personne l'utiliser si elle n'est pas familiarisée avec l'outil électrique ou les présentes instructions d'utilisation.** Les outils électriques représentent un danger entre les mains de personnes qui n'en connaissent pas le mode d'utilisation.
21. **Veillez à l'entretien des outils électriques. Assurez-vous que les pièces mobiles ne sont pas désalignées ou coincées, qu'aucune pièce n'est cassée et que l'outil électrique n'a subi aucun dommage affectant son bon fonctionnement. Le cas échéant, faites réparer l'outil électrique avant de l'utiliser.** De nombreux accidents sont causés par des outils électriques mal entretenus.
22. **Maintenez les outils tranchants bien aiguisés et propres.** Un outil tranchant dont l'entretien est effectué correctement et dont les bords sont bien aiguisés risquera moins de se coincer et sera plus facile à maîtriser.
23. **Utilisez l'outil électrique, ses accessoires, ses embouts, etc., en respectant les présentes instructions, en tenant compte des conditions de travail et du type de travail à effectuer.** L'utilisation d'un outil électrique à des fins autres que celles prévues peut entraîner une situation dangereuse.

#### **Utilisation et entretien des outils alimentés par batterie**

24. **Pour recharger, utilisez uniquement le chargeur spécifié par le fabricant.** L'utilisation d'un chargeur conçu pour un type donné de bloc-piles comporte un risque d'incendie lorsqu'il est utilisé avec un autre type de bloc-piles.
25. **N'utilisez un outil électrique qu'avec le bloc-piles conçu spécifiquement pour cet outil.** Il y a un risque de blessure ou d'incendie si un autre bloc-piles est utilisé.
26. **Lorsque vous n'utilisez pas le bloc-piles, rangez-le à l'écart des objets métalliques tels que trombones, pièces de monnaie, clés, clous, vis ou autres petits objets métalliques qui risquent d'établir une connexion entre les bornes.** La mise en court-circuit des bornes de batterie peut causer des brûlures ou un incendie.

27. Dans des conditions d'utilisation inadéquates de la batterie, il peut y avoir fuite d'électrolyte; évitez tout contact avec ce liquide. En cas de contact accidentel, rincez avec beaucoup d'eau. Si le liquide pénètre dans vos yeux, il faut aussi consulter un médecin. L'électrolyte qui s'échappe de la batterie peut causer des irritations ou des brûlures.

#### Réparation

28. Faites réparer votre outil électrique par un réparateur qualifié qui utilise des pièces de rechange identiques aux pièces d'origine. Le maintien de la sûreté de l'outil électrique sera ainsi assuré.
29. Suivez les instructions de lubrification et de changement des accessoires.
30. Maintenez les poignées de l'outil sèches, propres et exemptes d'huile ou de graisse.

GEB051-2

## CONSIGNES DE SÉCURITÉ POUR PERCEUSE SANS FIL

- Utilisez la ou les poignées auxiliaires si elles sont fournies avec l'outil. Toute perte de maîtrise comporte un risque de blessure.
- Tenez l'outil par ses surfaces de prise isolées pendant toute opération où l'accessoire de coupe pourrait venir en contact avec un câblage dissimulé. En cas de contact avec un conducteur sous tension, les pièces métalliques à découvert de l'outil pourraient devenir sous tension et risqueraient de transmettre une décharge électrique à l'utilisateur.
- Adoptez toujours une position de travail vous assurant d'un bon équilibre. Assurez-vous qu'il n'y a personne plus bas lorsque vous utilisez l'outil en position élevée.
- Tenez l'outil fermement.
- Gardez les mains éloignées des pièces en rotation.
- N'abandonnez pas l'outil alors qu'il tourne. Ne faites fonctionner l'outil qu'une fois que vous l'avez bien en main.
- Ne touchez pas le foret ni la pièce tout de suite après la coupe, car ils peuvent être extrêmement chauds et vous brûler.
- Certains matériaux contiennent des produits chimiques qui peuvent être toxiques. Prenez les précautions nécessaires pour éviter l'inhalation de ces poussières ou leur contact avec la peau. Conformez-vous aux consignes de sécurité du fournisseur du matériau.

## CONSERVEZ CE MODE D'EMPLOI.



### ⚠ AVERTISSEMENT:

**NE VOUS LAISSEZ PAS tromper** (au fil d'une utilisation répétée) par un sentiment d'aisance ou de familiarité avec le produit en négligeant les consignes de sécurité qui accompagnent le produit. L'utilisation non sécuritaire ou incorrecte de cet outil comporte un risque de blessure grave.

USD301-1

## Symboles

Les symboles utilisés pour l'outil sont indiqués ci-dessous.

	· volts
	· courant continu
$n_0$	· vitesse à vide
... /min	· tours ou alternances par minute
r/min	

ENC007-7

## CONSIGNES DE SÉCURITÉ IMPORTANTES

### POUR LA BATTERIE

- Avant d'utiliser la batterie, lisez toutes les instructions et précautions relatives (1) au chargeur de batterie, (2) à la batterie, et (3) à l'outil utilisant la batterie.
- Ne démontez pas la batterie.
- Cessez immédiatement l'utilisation si le temps de fonctionnement devient excessivement court. Il y a risque de surchauffe, de brûlures, voire d'explosion.
- Si l'électrolyte pénètre dans vos yeux, rincez-les à l'eau claire et consultez immédiatement un médecin. Il y a risque de perte de la vue.
- Ne court-circuitez pas la batterie :
  - Ne touchez les bornes avec aucun matériau conducteur.
  - Évitez de ranger la batterie dans un conteneur avec d'autres objets métalliques, par exemple des clous, des pièces de monnaie, etc.
  - Évitez d'exposer la batterie à l'eau ou à la pluie.

Un court-circuit de la batterie pourrait provoquer un fort courant, une surchauffe, parfois des brûlures et même une panne.
- Ne rangez pas l'outil ou la batterie dans des endroits où la température risque d'atteindre ou de dépasser 50 ° C (122 ° F).

7. **Ne jetez pas la batterie au feu même si elle est sérieusement endommagée ou complètement épuisée. La batterie peut exploser au contact du feu.**
8. **Prenez garde d'échapper ou de heurter la batterie.**
9. **N'utilisez pas une batterie si elle est endommagée.**

## CONSERVEZ CE MODE D'EMPLOI.

### Conseils pour obtenir la durée de service maximale de la batterie

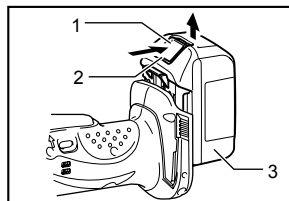
1. **Rechargez la batterie avant qu'elle ne soit complètement déchargée. Arrêtez toujours l'outil et rechargez la batterie quand vous remarquez que la puissance de l'outil diminue.**
2. **Ne rechargez jamais une batterie complètement chargée. La surcharge réduit la durée de service de la batterie.**
3. **Rechargez la batterie à une température ambiante comprise entre 10 ° C et 40 ° C (50 ° F - 104 ° F). Si la batterie est chaude, laissez-la refroidir avant de la recharger.**
4. **Rechargez la batterie tous les six mois si l'appareil n'est pas utilisé pendant de longues périodes.**

## DESCRIPTION DU FONCTIONNEMENT

### ⚠ATTENTION:

- Assurez-vous toujours que l'outil est hors tension et que sa batterie est retirée avant de l'ajuster ou de vérifier son fonctionnement.

### Installation ou retrait de la batterie

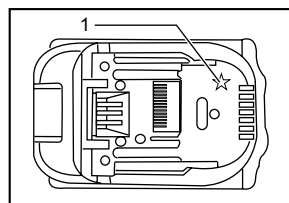


1. Bouton
2. Indicateur rouge
3. Batterie

014181

- Mettez toujours l'appareil hors tension avant d'installer ou de retirer la batterie.
- Pour retirer la batterie, faites-la glisser de l'outil tout en faisant glisser le bouton se trouvant à l'avant.
- Pour installer la batterie, alignez sa languette sur la rainure pratiquée dans le boîtier, et glissez la batterie en place. Insérez-la toujours à fond jusqu'à ce que vous entendiez un clic. Si vous pouvez voir l'indicateur rouge situé sur le dessus du bouton, la batterie n'est pas complètement verrouillée. Installez-la à fond jusqu'à ce que vous ne puissiez plus voir l'indicateur rouge. Dans le cas contraire, elle pourrait tomber de l'outil et entraîner des blessures.
- N'installez pas la batterie par la force. Si la batterie ne glisse pas facilement, c'est qu'elle n'est pas insérée correctement.

### Système de protection de la batterie (batterie lithium-ion marquée d'une étoile)



1. Étoile

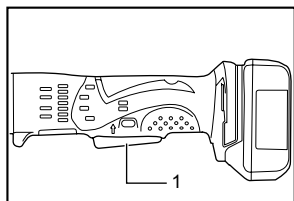
012128

Les batteries lithium-ion marquées d'une étoile sont équipées d'un système de protection. Ce système coupe automatiquement l'alimentation de l'outil pour augmenter la durée de vie de la batterie.

L'outil s'arrête automatiquement pendant l'utilisation lorsque l'outil et/ou la batterie sont dans l'une des situations suivantes :

- En surcharge :  
L'outil est utilisé d'une manière entraînant une consommation anormale de courant.  
Dans cette situation, relâchez la gâchette et arrêtez l'activité qui entraîne une surcharge de l'outil. Puis appuyez de nouveau sur la gâchette pour redémarrer.  
Si l'outil ne démarre pas, la batterie est en surchauffe. Dans cette situation, laissez refroidir la batterie avant d'appuyer de nouveau sur la gâchette.
- Tension de la batterie faible :  
La capacité restante de la batterie est trop faible pour que l'outil puisse fonctionner. Dans cette situation, retirez et rechargez la batterie.

## Interrupteur



1. Gâchette

014177

### ⚠ATTENTION:

- Avant d'insérer la batterie dans l'outil, vérifiez toujours que la gâchette fonctionne bien et revient en position d'arrêt lorsque relâchée.

Pour mettre l'outil en marche, appuyez simplement sur la gâchette. La vitesse de l'outil augmente à mesure que l'on accroît la pression exercée sur la gâchette. Pour l'arrêter, relâchez la gâchette.

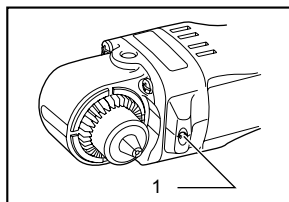
## Frein électrique

Cet outil est équipé d'un frein électrique. Si à plusieurs reprises l'outil ne s'arrête pas rapidement après le relâchement de la gâchette, faites-le réparer dans un centre de service après-vente Makita.

### ⚠ATTENTION:

- Avant de l'arrêter, assurez-vous de tenir l'outil fermement.

## Allumage de la lampe avant



1. Lampe

008953

### ⚠ATTENTION:

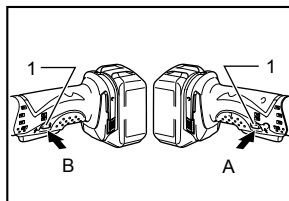
- Évitez de regarder directement le faisceau lumineux ou sa source.

Appuyez sur la gâchette pour allumer la lampe. La lampe demeure allumée tant que la pression sur la gâchette est maintenue. Lorsque vous relâchez la gâchette, la lumière s'éteint d'elle-même au bout de 10 à 15 secondes.

### NOTE:

- Utilisez un chiffon sec pour essuyer la saleté qui recouvre la lentille de la lampe. Prenez garde de rayer la lentille de la lampe, pour éviter une diminution de l'éclairage.

## Inverseur



1. Inverseur

014176

L'outil possède un inverseur qui permet de changer le sens de rotation. Enfoncez le levier inverseur du côté A pour une rotation dans le sens des aiguilles d'une montre, ou du côté B pour une rotation dans le sens inverse des aiguilles d'une montre.

La pression sur la gâchette n'est pas possible lorsque le levier inverseur se trouve en position neutre.

### ⚠ATTENTION:

- Vérifiez toujours le sens de rotation avant de mettre l'outil en marche.
- N'actionnez l'inverseur qu'une fois que l'outil est complètement arrêté. Si vous changez le sens de rotation avant l'arrêt de l'outil, vous risquez de l'endommager.
- Lorsque vous n'utilisez pas l'outil, placez toujours le levier inverseur en position neutre.

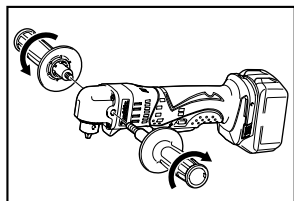


## ASSEMBLAGE

### ⚠ ATTENTION:

- Assurez-vous toujours que l'outil est hors tension et que sa batterie est retirée avant d'effectuer tout travail dessus.

### Installation de la poignée latérale (poignée auxiliaire)



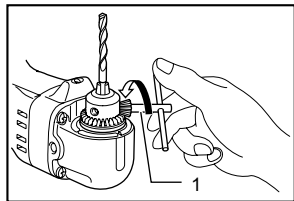
014178

### ⚠ ATTENTION:

- Avant d'utiliser l'outil, assurez-vous toujours que la poignée latérale est installée de façon sûre.

Vissez la poignée latérale à fond sur l'outil. La poignée latérale peut être installée d'un côté ou de l'autre de l'outil en fonction du travail à effectuer.

### Installation ou retrait du foret



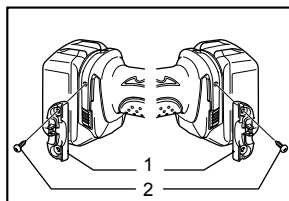
008957

Pour installer le foret/l'embout, introduisez-le à fond dans le mandrin. Serrez le mandrin à la main. Puis introduisez la clé de mandrin dans chacun des trois trous et serrez en tournant en sens des aiguilles d'une montre. Veillez à bien serrer les trois trous de façon uniforme.

Pour retirer le foret/l'embout, tournez la clé de mandrin en sens inverse des aiguilles d'une montre dans l'un des trois trous seulement, puis desserrez à la main.

Après l'utilisation, remettez la clé de mandrin dans l'orifice de rangement sur l'outil.

### Clavette de mandrin

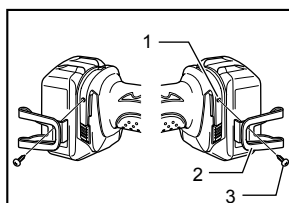


- Clavette de mandrin
- Vis

014180

Pour installer la clavette de mandrin, fixez-la à la partie convexe du boîtier de l'outil (de chaque côté) et ensuite vissez-la solidement. Pour l'enlever, desserrez les vis et retirez-la.

### Crochet



- Rainure
- Crochet
- Vis

014179

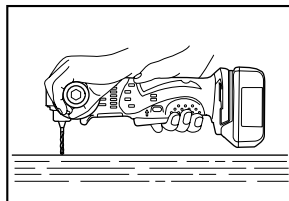
L'outil est équipé d'un crochet pratique qui permet de le suspendre temporairement. Il s'installe d'un côté comme de l'autre de l'outil.

Pour installer le crochet, insérez-le dans les rainures situées de chaque côté du carter de l'outil, puis serrez-le avec une vis. Pour le retirer, desserrez la vis et enlevez-la.

## UTILISATION

### ⚠ ATTENTION:

- Lorsque vous utilisez l'outil, mettez une main sur la poignée principale et l'autre sur la poignée latérale.



014175

## Perçage

### Perçage du métal

Pour empêcher le foret de glisser en début de perçage, faites une indentation au point de perçage à l'aide d'un poinçon et d'un marteau. Placez ensuite la pointe du foret dans l'indentation et commencez à percer.

Quand vous forez dans du métal, utilisez un lubrifiant. Seuls le fer et le laiton peuvent se percer à sec.

#### ATTENTION:

- Une pression excessive sur l'outil n'accélère pas le perçage. Au contraire, elle risque d'endommager la pointe du foret, de réduire le rendement de l'outil et donc sa durée de service.
- Une force énorme s'exerce sur le foret et l'outil quand le premier émerge sur la face postérieure. Tenez votre outil fermement et faites bien attention dès que le foret commence à approcher de la face opposée du matériau que vous percez.
- Un foret coincé peut se retirer en plaçant l'inverseur sur la direction opposée. Il faut alors faire très attention car l'outil risque de reculer brusquement si vous ne le tenez pas fermement.
- Assurez toujours les petites pièces à percer à l'aide d'un étau ou d'un mode de fixation analogue.
- Si l'outil est utilisé de manière continue jusqu'à ce que la batterie soit déchargée, laissez-le reposer 15 minutes avant de poursuivre l'opération avec une batterie fraîche.

## ENTRETIEN

#### ATTENTION:

- Assurez-vous toujours que l'outil est hors tension et que la batterie est retirée avant d'y effectuer tout travail d'inspection ou d'entretien.
- N'utilisez jamais d'essence, de benzine, de solvant, d'alcool ou d'autres produits similaires. Une décoloration, une déformation, ou la formation de fissures peuvent en découler.

Pour maintenir la SÉCURITÉ et la FIABILITÉ du produit, les réparations, tout autre travail d'entretien ou de réglage doivent être effectués dans un centre de service Makita agréé ou un centre de service de l'usine Makita, exclusivement avec des pièces de rechange Makita.

## ACCESSOIRES EN OPTION

#### ATTENTION:

- Ces accessoires ou pièces complémentaires sont recommandés pour l'utilisation avec l'outil Makita spécifié dans ce mode d'emploi. L'utilisation de tout autre accessoire ou pièce complémentaire peut comporter un risque de blessure. N'utilisez les accessoires ou pièces qu'aux fins auxquelles ils ont été conçus.

Si vous désirez obtenir plus de détails concernant ces accessoires, veuillez contacter le centre de service après-vente Makita le plus près.

- Forets
- Clé de mandrin
- Clavette de mandrin
- Crochet
- Mallette de transport en plastique
- Les divers types de batteries et chargeurs Makita authentiques

#### NOTE:

- Certains éléments de la liste peuvent être inclus avec l'outil comme accessoires standard. Ils peuvent varier suivant les pays.

---

## **GARANTIE LIMITÉE D'UN AN MAKITA**

### **Politique de garantie**

Chaque outil Makita est inspecté rigoureusement et testé avant sa sortie d'usine. Nous garantissons qu'il sera exempt de défaut de fabrication et de vice de matériau pour une période d'UN AN à partir de la date de son achat initial. Si un problème quelconque devait survenir au cours de cette période d'un an, veuillez retourner l'outil COMPLET, port payé, à une usine ou à un centre de service après-vente Makita. Makita réparera l'outil gratuitement (ou le remplacera, à sa discrétion) si un défaut de fabrication ou un vice de matériau est découvert lors de l'inspection.

Cette garantie ne s'applique pas dans les cas où:

- des réparations ont été effectuées ou tentées par un tiers:
- des réparations s'imposent suite à une usure normale:
- l'outil a été malmené, mal utilisé ou mal entretenu:
- l'outil a subi des modifications.

MAKITA DÉCLINE TOUTE RESPONSABILITÉ POUR TOUT DOMMAGE ACCESSOIRE OU INDIRECT LIÉ À LA VENTE OU À L'UTILISATION DU PRODUIT. CET AVIS DE NON-RESPONSABILITÉ S'APPLIQUE À LA FOIS PENDANT ET APRÈS LA PÉRIODE COUVERTE PAR CETTE GARANTIE.

MAKITA DÉCLINE TOUTE RESPONSABILITÉ QUANT À TOUTE GARANTIE TACITE, INCLUANT LES GARANTIES TACITES DE "QUALITÉ MARCHANDE" ET "ADÉQUATION À UN USAGE PARTICULIER" APRÈS LA PÉRIODE D'UN AN COUVERTE PAR CETTE GARANTIE.

Cette garantie vous donne des droits spécifiques reconnus par la loi, et possiblement d'autres droits, qui varient d'un État à l'autre. Certains États ne permettant pas l'exclusion ou la limitation des dommages accessoires ou indirects, il se peut que la limitation ou exclusion ci-dessus ne s'applique pas à vous. Certains États ne permettant pas la limitation de la durée d'application d'une garantie tacite, il se peut que la limitation ci-dessus ne s'applique pas à vous.

EN0006-1

## ESPECIFICACIONES

Modelo		XAD01	
Capacidades	Acero	10 mm (3/8")	
	Madera	25 mm (1")	
Velocidad sin carga (r.p.m.)		0 - 1 800 r/min	
Longitud total		314 mm (12-3/8")	
Peso neto		1,5 kg (3,3 lbs)	1,8 kg (4,0 lbs)
Tensión nominal		18 V c.c.	
Cartuchos de batería estándar		BL1815N	BL1830 / BL1840

- Debido a nuestro programa continuo de investigación y desarrollo, las especificaciones aquí dadas están sujetas a cambios sin previo aviso.
- Las especificaciones y el cartucho de la batería pueden variar de país a país.
- Peso de acuerdo al procedimiento de EPTA-01/2003 incluyendo el cartucho de la batería

GEA006-2

## Advertencias de seguridad generales para herramientas eléctricas

**⚠ ADVERTENCIA:** lea todas las advertencias de seguridad e instrucciones. Si no sigue todas las advertencias e instrucciones indicadas a continuación, podrá ocasionar una descarga eléctrica, un incendio y/o lesiones graves.

## Guarde todas las advertencias e instrucciones para su futura referencia.

El término "herramienta eléctrica" se refiere, en todas las advertencias que aparecen a continuación, a su herramienta eléctrica de funcionamiento con conexión a la red eléctrica (con cableado eléctrico) o herramienta eléctrica de funcionamiento a batería (inalámbrica).

### Seguridad en el área de trabajo

1. **Mantenga el área de trabajo limpia y bien iluminada.** Las áreas oscuras o desordenadas son propensas a accidentes.
2. **No utilice las herramientas eléctricas en atmósferas explosivas, tal como en la presencia de líquidos, gases o polvo inflamables.** Las herramientas eléctricas crean chispas que pueden prender fuego al polvo o los humos.
3. **Mantenga a los niños y curiosos alejados mientras utiliza una herramienta eléctrica.** Las distracciones le pueden hacer perder el control.

### Seguridad eléctrica

4. **Las clavijas de conexión de las herramientas eléctricas deberán encajar perfectamente en la toma de corriente. No modifique nunca la clavija de conexión de ninguna forma. No utilice ninguna clavija adaptadora con herramientas eléctricas que tengan conexión a tierra (puesta a tierra).** La utilización de clavijas no modificadas y que encajen perfectamente en la toma de corriente reducirá el riesgo de que se produzca una descarga eléctrica.
5. **Evite tocar con el cuerpo superficies conectadas a tierra o puestas a tierra tales como tubos, radiadores, cocinas y refrigeradores.** Si su cuerpo es puesto a tierra o conectado a tierra existirá un mayor riesgo de que sufra una descarga eléctrica.
6. **No exponga las herramientas eléctricas a la lluvia ni a condiciones húmedas.** La entrada de agua en una herramienta eléctrica aumentará el riesgo de que se produzca una descarga eléctrica.
7. **No jale el cable. Nunca utilice el cable para transportar, jalar o desconectar la herramienta eléctrica. Mantenga el cable alejado del calor, aceite, objetos cortantes o piezas móviles.** Los cables dañados o atrapados aumentan el riesgo de sufrir una descarga eléctrica.
8. **Cuando utilice una herramienta eléctrica en exteriores, utilice un cable de extensión apropiado para uso en exteriores.** La utilización de un cable apropiado para uso en exteriores reducirá el riesgo de que se produzca una descarga eléctrica.
9. **Si no es posible evitar usar una herramienta eléctrica en condiciones húmedas, utilice un alimentador protegido con interruptor de circuito de falla en tierra (ICFT).** El uso de un ICFT reduce el riesgo de descarga eléctrica.

## Seguridad personal

10. **Manténgase alerta, preste atención a lo que está haciendo y utilice su sentido común cuando opere una herramienta eléctrica. No utilice la herramienta eléctrica cuando esté cansado o bajo la influencia de drogas, alcohol o medicamentos.** Un momento de distracción mientras opera la máquina puede dar como resultado heridas personales graves.
11. **Use equipo de protección personal. Póngase siempre protección para los ojos.** El equipo protector tal como máscara contra el polvo, zapatos de seguridad antiderrapantes, casco rígido y protección para oídos utilizado en las condiciones apropiadas reducirá las heridas personales.
12. **Impida el encendido accidental. Asegúrese de que el interruptor esté en la posición de apagado antes de conectar a la alimentación eléctrica y/o de colocar el cartucho de la batería, así como al levantar o cargar la herramienta.** Cargar las herramientas eléctricas con su dedo en el interruptor o enchufarlas con el interruptor encendido hace que los accidentes sean propensos.
13. **Retire cualquier llave de ajuste o llave de apriete antes de encender la herramienta.** Una llave de ajuste o llave de apriete que haya sido dejada puesta en una parte giratoria de la herramienta eléctrica podrá resultar en heridas personales.
14. **No utilice la herramienta donde no alcance. Mantenga los pies sobre suelo firme y el equilibrio en todo momento.** Esto permite un mejor control de la herramienta eléctrica en situaciones inesperadas.
15. **Use vestimenta apropiada. No use ropas sueltas ni joyas. Mantenga el cabello, la ropa y los guantes alejados de las piezas móviles.** Las prendas de vestir holgadas, las joyas y el cabello suelto podrían engancharse en estas piezas móviles.
16. **Si dispone de dispositivos para la conexión de equipos de extracción y recolección de polvo, asegúrese de conectarlos y utilizarlos debidamente.** La utilización de estos dispositivos reduce los riesgos relacionados con el polvo.

## Mantenimiento y uso de la herramienta eléctrica

17. **No fuerce la herramienta eléctrica. Utilice la herramienta eléctrica correcta para su aplicación.** La herramienta eléctrica adecuada hará un trabajo mejor a la velocidad para la que ha sido fabricada.
18. **No utilice la herramienta eléctrica si el interruptor no la enciende y apaga.** Cualquier herramienta eléctrica que no pueda ser controlada con el interruptor es peligrosa y debe ser reemplazada.
19. **Desconecte la clavija de la fuente de energía y/o la batería de la herramienta eléctrica antes de realizar ajustes, cambiar accesorios o guardar las herramientas eléctricas.** Dichas medidas de seguridad preventivas reducen el riesgo de que la herramienta se inicie accidentalmente.
20. **Guarde la herramienta eléctrica que no use fuera del alcance de los niños y no permita que las personas que no están familiarizadas con ella o con las instrucciones la operen.** Las herramientas eléctricas son peligrosas en manos de personas que no saben operarlas.
21. **Realice el mantenimiento a las herramientas eléctricas. Compruebe que no haya partes móviles desalineadas o estancadas, piezas rotas y cualquier otra condición que pueda afectar al funcionamiento de la herramienta eléctrica.** Si la herramienta eléctrica está dañada, haga que se la reparen antes de utilizarla. Muchos accidentes son ocasionados por herramientas eléctricas con un mal mantenimiento.
22. **Mantenga las herramientas de corte limpias y filosas.** Si recibe un mantenimiento adecuado y tiene los bordes afilados, es probable que la herramienta se atasque menos y sea más fácil controlarla.
23. **Utilice la herramienta eléctrica, así como accesorios, piezas, brocas, etc. de acuerdo con estas instrucciones y de la manera establecida para cada tipo de unidad en particular; tenga en cuenta las condiciones laborales y el trabajo a realizar.** Si utiliza la herramienta eléctrica para realizar operaciones distintas de las indicadas, podrá presentarse una situación peligrosa.

## Uso y cuidado de la herramienta a batería

24. **Realice la recarga sólo con el cargador especificado por el fabricante.** Un cargador que es adecuado para un solo tipo de batería puede generar riesgo de incendio al ser utilizado con otra batería.
25. **Utilice las herramientas eléctricas solamente con las baterías designadas específicamente para ellas.** La utilización de cualquier otra batería puede crear un riesgo de heridas o incendio.
26. **Cuando no se esté usando el cartucho de la batería, manténgalo alejado de otros objetos metálicos, como sujetapapeles (clips), monedas, llaves, clavos, tornillos u otros objetos pequeños de metal los cuales pueden actuar creando una conexión entre las terminales de la batería.** Cerrar el circuito las terminales de la batería puede causar quemaduras o incendios.

27. En condiciones abusivas, podrá escapar líquido de la batería; evite tocarlo. Si lo toca accidentalmente, enjuague con agua. Si hay contacto del líquido con los ojos, acuda por ayuda médica. Puede que el líquido expulsado de la batería cause irritación o quemaduras.

#### Servicio de mantenimiento

28. Haga que una persona calificada repare la herramienta utilizando sólo piezas de repuesto idénticas. Esto asegura que se mantenga la seguridad de la herramienta eléctrica.
29. Siga las instrucciones para la lubricación y cambio de accesorios.
30. Mantenga las agarraderas secas, limpias y sin aceite o grasa.

GEB051-2

## ADVERTENCIAS DE SEGURIDAD PARA EL TALADRO A BATERÍA

- Utilice el/los mango(s) auxiliar(es) si es que se incluye(n) en la herramienta. Una pérdida del control puede ocasionar lesiones personales.
- Sujete la herramienta eléctrica por las superficies de agarre aisladas al realizar una operación en la que el accesorio de corte pueda entrar en contacto con cables ocultos. Si el accesorio de corte entra en contacto con un cable con corriente, las piezas metálicas expuestas de la herramienta eléctrica se cargarán también de corriente y el operario puede recibir una descarga.
- Asegúrese siempre de que pisa sobre suelo firme.  
Asegúrese de que no haya nadie debajo cuando utilice la herramienta en lugares altos.
- Sostenga la herramienta con firmeza.
- Mantenga las manos alejadas de las piezas giratorias.
- No deje la herramienta en marcha. Tenga en marcha la herramienta solamente cuando la tenga en la mano.
- No toque la broca o la pieza de trabajo inmediatamente después de utilizarla; podrían estar muy calientes y producirle quemaduras de piel.
- Algunos materiales contienen sustancias químicas que pueden ser tóxicas. Tome precauciones para evitar la inhalación de polvo o que éste tenga contacto con la piel. Consulte la información de seguridad del proveedor de los materiales.

## GUARDE ESTAS INSTRUCCIONES.

### ⚠ADVERTENCIA:

NO DEJE que la comodidad o familiaridad con el producto (a base de utilizarlo repetidamente) sustituya la estricta observancia de las normas de seguridad para dicho producto. El MAL USO o el no seguir las normas de seguridad establecidas en este manual de instrucciones puede ocasionar graves lesiones personales.

USD301-1

## Símbolos

A continuación se muestran los símbolos utilizados para la herramienta.

v	·	volts o voltios
—	·	corriente directa o continua
n <sub>0</sub>	·	velocidad en vacío o sin carga
... /min r /min	·	revoluciones o alternaciones por minuto, frecuencia de rotación.

ENC007-7

## INSTRUCCIONES IMPORTANTES DE SEGURIDAD

### PARA CARTUCHO DE BATERÍA

- Antes de utilizar el cartucho de batería, lea todas las instrucciones e indicaciones de precaución sobre (1) el cargador de baterías, (2) la batería, y (3) el producto con el que se utiliza la batería.
- No desarme el cartucho de batería.
- Si el tiempo de operación se ha acordado en exceso, deje de operar de inmediato. Podría correrse el riesgo de sobrecalentamiento, posibles quemaduras e incluso explosión.
- En caso de que ingresen electrolitos en sus ojos, enjuáguelos bien con agua limpia y consulte de inmediato a un médico. Podría perder la visión.
- No cortocircuite el cartucho de batería:
  - No toque las terminales con ningún material conductor.
  - Evite guardar el cartucho de batería en un cajón junto con otros objetos metálicos, tales como clavos, monedas, etc.
  - No exponga la batería de cartucho a la lluvia o nieve.

Un corto circuito en la batería puede causar un flujo grande de corriente, sobrecalentamiento, posibles quemaduras y aún descomposturas.

- No guarde la herramienta ni el cartucho de batería en lugares donde la temperatura pueda alcanzar o exceder los 50 ° C (122 ° F).

7. Nunca incinere el cartucho de batería incluso en el caso de que esté dañado seriamente o ya no sirva en absoluto. El cartucho de batería puede explotar si se tira al fuego.
8. Tenga cuidado de no dejar caer ni golpear el cartucho de batería.
9. No use una batería dañada.

## GUARDE ESTAS INSTRUCCIONES.

### Consejos para alargar al máximo la vida útil de la batería

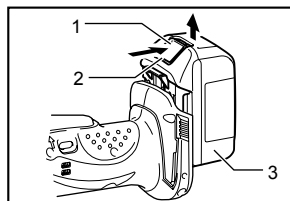
1. Cargue el cartucho de batería antes de que se descargue completamente.  
Pare siempre la operación y cargue el cartucho de batería cuando note menos potencia en la herramienta.
2. No cargue nunca un cartucho de batería que esté completamente cargado.  
La sobrecarga acortará la vida de servicio de la batería.
3. Cargue el cartucho de batería a temperatura ambiente de 10 ° C - 40 ° C (50 ° F - 104 ° F). Si un cartucho de batería está caliente, déjelo enfriar antes de cargarlo.
4. Recargue el cartucho de la batería una vez cada seis meses si no se va a usar por un periodo extenso.

## DESCRIPCIÓN DEL FUNCIONAMIENTO

### ⚠PRECAUCIÓN:

- Asegúrese siempre de que la herramienta esté apagada y el cartucho de batería extraído antes de realizar cualquier ajuste o comprobación en la herramienta.

### Instalación o desmontaje del cartucho de batería

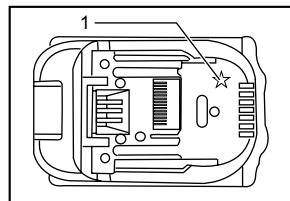


1. Botón
2. Indicador rojo
3. Cartucho de batería

014181

- Apague siempre la herramienta antes de colocar o quitar el cartucho de batería.
- Para quitar el cartucho de batería, deslícelo de la herramienta mientras desliza el botón sobre la parte delantera del cartucho.
- Para colocar el cartucho de batería, alinee la lengüeta sobre el cartucho de batería con la ranura en la carcasa y deslice en su lugar. Siempre inserte por completo hasta que se fije en su lugar con un pequeño clic. Si puede ver el indicador rojo del lado superior del botón, esto indica que no ha quedado fijo por completo. Coloque completamente hasta que el indicador rojo no pueda verse. Si no, podría accidentalmente salirse de la herramienta y caer al suelo causando una lesión a usted o alguien a su alrededor.
- No emplee fuerza al colocar el cartucho de batería. Si el cartucho no se desliza al interior fácilmente, será porque no se está insertando correctamente.

### Sistema de protección de batería (batería de ión de litio con marca de estrella)



1. Marca de estrella

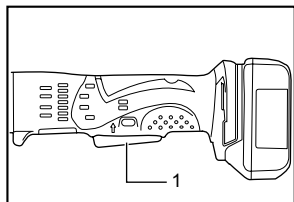
012128

Las baterías de ión de litio con una marca de estrella están equipadas con un sistema de protección. Este sistema corta en forma automática el suministro de energía a la herramienta para prolongar la vida útil de la batería.

La herramienta se detendrá automáticamente durante el funcionamiento si la herramienta y/o la batería se someten a una de las siguientes condiciones:

- **Sobrecarga:**  
La herramienta se está utilizando de una manera que causa que consuma una cantidad de corriente inusualmente alta. En este caso, libere el interruptor de gatillo en la herramienta y detenga la aplicación que causó que la herramienta se sobrecargara. Luego, vuelva a jalar el interruptor de gatillo para reanudar el funcionamiento. Si la herramienta no empieza a funcionar, significa que la batería se sobrecalentó. En este caso, espere que la batería se enfríe antes de volver a jalar el interruptor de gatillo.
- **Bajo voltaje de la batería:**  
La capacidad restante de la batería es demasiado baja y la herramienta no funcionará. En este caso, extraiga la batería y vuelva a cargarla.

### Accionamiento del interruptor



1. Gatillo interruptor

014177

#### ⚠PRECAUCIÓN:

- Antes de insertar el cartucho de batería en la herramienta, compruebe siempre y cerciórese de que el gatillo interruptor se acciona debidamente y que vuelve a la posición "OFF"(apagado) cuando lo suelta.

Para poner en marcha la herramienta, simplemente apriete el gatillo interruptor. La velocidad de la herramienta aumenta incrementando la presión en el gatillo. Suelte el gatillo interruptor para parar.

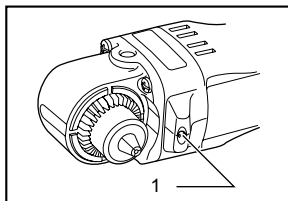
### Freno eléctrico

Esta herramienta está equipada con un freno eléctrico. Si la herramienta dejase de parar enseguida repetidamente después de soltar el gatillo interruptor, pida a un centro de servicio Makita que le hagan el mantenimiento.

#### ⚠PRECAUCIÓN:

- Asegúrese de sujetar la herramienta firmemente antes de apagar la herramienta.

### Iluminación de la lámpara delantera



1. Lámpara

008953

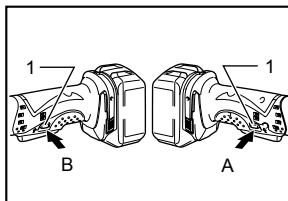
#### ⚠PRECAUCIÓN:

- No mire a la luz ni vea la fuente de luz directamente. Apriete el gatillo interruptor para encender la lámpara. La lámpara seguirá encendida mientras el gatillo interruptor esté siendo apretado. La luz se apagará automáticamente 10 - 15 segundos después de soltar el gatillo interruptor.

#### NOTA:

- Utilice un paño seco para quitar la suciedad de la lente de la lámpara. Tenga cuidado de no rayar la lente de la lámpara, porque podrá disminuir la iluminación.

### Accionamiento del conmutador de inversión de giro



1. Conmutador de inversión de giro

014176

Esta herramienta tiene un conmutador de inversión para cambiar la dirección de giro. Presione hacia dentro la palanca del conmutador de inversión del lado A para giro hacia la derecha o del lado B para giro hacia la izquierda. Cuando la palanca del conmutador de inversión esté en la posición neutral, no se podrá apretar el gatillo interruptor.

#### ⚠PRECAUCIÓN:

- Confirme siempre la dirección de giro antes de la operación.
- Utilice el conmutador de inversión solamente después de que la herramienta haya parado completamente. Si cambia la dirección de giro antes de que la herramienta haya parado podrá dañarla.



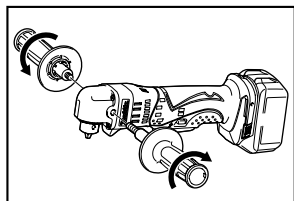
- Cuando no esté utilizando la herramienta, ponga siempre la palanca del conmutador de inversión en la posición neutral.

## ENSAMBLE

### ⚠PRECAUCIÓN:

- Asegúrese siempre de que la herramienta esté apagada y el cartucho de batería extraído antes de realizar cualquier trabajo en la misma.

### Instalación de la empuñadura lateral (mango auxiliar)



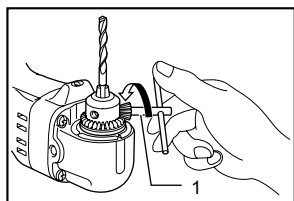
014178

### ⚠PRECAUCIÓN:

- Antes de realizar una operación, asegúrese siempre de que la empuñadura lateral esté instalada firmemente.

Atomille firmemente la empuñadura lateral a la herramienta. La empuñadura lateral se puede instalar en cualquier lado de la herramienta, el que sea conveniente.

### Instalación o desmontaje de la broca



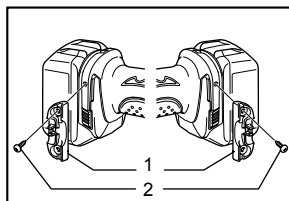
008957

Para instalar la broca, introdúzcala a tope en el mandril. Apriete el mandril a mano. Ponga la llave del mandril en cada uno de los tres agujeros y apriete hacia la derecha. Asegúrese de apretar los tres agujeros del mandril uniformemente.

Para quitar la broca, gire la llave del mandril hacia la izquierda en uno de los agujeros solamente, después afloje el mandril a mano.

Después de usarlo, vuelva a colocar la llave de portabroca en la cavidad de almacenamiento de la herramienta.

### Sujetador de llave de portabroca

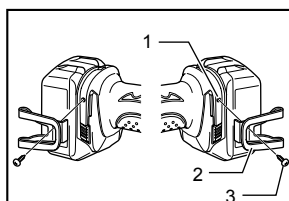


014180

Para instalar el sujetador de llave de portabroca, fíjelo de la parte convexa de la carcasa de la herramienta a cada lado y ajuste con un tornillo. Para quitarlo, afloje el tornillo y retírelo.

1. Sujetador de llave de portabroca
2. Tornillo

### Gancho



014179

El gancho resulta útil para colgar temporalmente la herramienta. Se puede instalar en cualquiera de los lados de la herramienta.

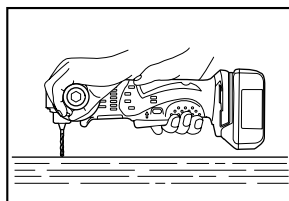
Para instalar el gancho, insértelo en una ranura del alojamiento de la herramienta de cualquiera de los lados y después sujételo con un tornillo. Para quitarlo, afloje el tornillo y después sáquelo.

1. Ranura
2. Gancho
3. Tornillo

## OPERACIÓN

### ⚠PRECAUCIÓN:

- Sujete la herramienta de la parte de la empuñadura firmemente con una mano, y con la otra en la empuñadura lateral al estar usando la herramienta.



014175

## Operación de taladrado

### Taladrado en metal

Para evitar que la broca resbale al empezar a hacer el agujero, haga una mella con punzón y un martillo en el punto a taladrar. Coloque la punta de la broca en la mella y comience a taladrar.

Emplee un lubricante para operaciones de corte cuando taladre metales. Las excepciones son hierro y latón que deberán ser taladrados en seco.

#### **⚠PRECAUCIÓN:**

- Con ejercer una presión excesiva sobre la herramienta no conseguirá taladrar más rápido. De hecho, esta presión excesiva sólo servirá para dañar la punta de la broca, disminuir el rendimiento de la herramienta y acortar su vida de servicio.
- En el momento de comenzar a penetrar se ejerce una fuerza tremenda sobre la herramienta/broca. Sujete la herramienta firmemente y tenga cuidado cuando la broca comience a penetrar en la pieza de trabajo.
- Una broca atorada podrá extraerse simplemente poniendo el interruptor de inversión en giro contrario para que retroceda. Sin embargo, la herramienta podrá retroceder bruscamente si no la sujeta firmemente.
- Sujete siempre las piezas de trabajo pequeñas en un tornillo de banco o herramienta de sujeción similar.
- Si utiliza la herramienta continuamente hasta descargar el cartucho de batería, deje descansar la herramienta durante 15 minutos antes de proceder con una batería fresca.

## MANTENIMIENTO

#### **⚠PRECAUCIÓN:**

- Asegúrese siempre de que la herramienta esté apagada y el cartucho de batería extraído antes de intentar realizar una inspección o mantenimiento.
- Nunca use gasolina, bencina, diluyente (tíner), alcohol o sustancias similares. Puede que esto ocasione grietas o descoloramiento.

Para mantener la SEGURIDAD y FIABILIDAD del producto, las reparaciones, y cualquier otra tarea de mantenimiento o ajuste deberán ser realizadas en Centros de Servicio Autorizados por Makita, empleando siempre repuestos Makita.

## ACCESORIOS OPCIONALES

#### **⚠PRECAUCIÓN:**

- Estos accesorios o aditamentos (incluidos o no) están recomendados para utilizar con su herramienta Makita especificada en este manual. El empleo de cualesquiera otros accesorios o acoplamientos conllevará un riesgo de sufrir heridas personales. Utilice los accesorios o acoplamientos solamente para su fin establecido.

Si necesita cualquier ayuda para más detalles en relación con estos accesorios, pregunte a su centro de servicio Makita local.

- Brocas de taladrado
- Llave de portabroca
- Sujetador de llave de portabroca
- Gancho
- Maletín de transporte de plástico
- Diferentes tipos de baterías y cargadores genuinos de Makita

#### **NOTA:**

- Algunos de los artículos en la lista puede que vengan junto con el paquete de la herramienta como accesorios incluidos. Puede que estos accesorios varíen de país a país.

---

## **GARANTÍA LIMITADA MAKITA DE UN AÑO**

### **Ésta Garantía no aplica para México**

#### **Política de garantía**

Cada herramienta Makita es inspeccionada y probada exhaustivamente antes de salir de fábrica. Se garantiza que va a estar libre de defectos de mano de obra y materiales por el periodo de UN AÑO a partir de la fecha de adquisición original. Si durante este periodo de un año se desarrollase algún problema, retorne la herramienta COMPLETA, porte pagado con antelación, a una de las fábricas o centros de servicio autorizados Makita. Si la inspección muestra que el problema ha sido causado por mano de obra o material defectuoso, Makita la reparará (o a nuestra opción, reemplazará) sin cobrar.

Esta garantía no será aplicable cuando:

- se hayan hecho o intentado hacer reparaciones por otros:
- se requieran reparaciones debido al desgaste normal:
- la herramienta haya sido abusada, mal usada o mantenido indebidamente:
- se hayan hecho alteraciones a la herramienta.

EN NINGÚN CASO MAKITA SE HARÁ RESPONSABLE DE NINGÚN DAÑO INDIRECTO, FORTUITO O CONSECUENCIAL DERIVADO DE LA VENTA O USO DEL PRODUCTO.

ESTA RENUNCIA SERÁ APLICABLE TANTO DURANTE COMO DESPUÉS DEL TÉRMINO DE ESTA GARANTÍA.

MAKITA RENUNCIA LA RESPONSABILIDAD POR CUALQUIER GARANTÍA IMPLÍCITA, INCLUYENDO GARANTÍAS IMPLÍCITAS DE "COMERCIALIDAD" E "IDONEIDAD PARA UN FIN ESPECÍFICO", DESPUÉS DEL TÉRMINO DE UN AÑO DE ESTA GARANTÍA.

Esta garantía le concede a usted derechos legales específicos, y usted podrá tener también otros derechos que varían de un estado a otro. Algunos estados no permiten la exclusión o limitación de daños fortuitos o consecuenciales, por lo que es posible que la antedicha limitación o exclusión no le sea de aplicación a usted. Algunos estados no permiten limitación sobre la duración de una garantía implícita, por lo que es posible que la antedicha limitación no le sea de aplicación a usted.

EN0006-1

< USA only >

# WARNING

Some dust created by power sanding, sawing, grinding, drilling, and other construction activities contains chemicals known to the State of California to cause cancer, birth defects or other reproductive harm. Some examples of these chemicals are:

- lead from lead-based paints,
- crystalline silica from bricks and cement and other masonry products, and
- arsenic and chromium from chemically-treated lumber.

Your risk from these exposures varies, depending on how often you do this type of work. To reduce your exposure to these chemicals: work in a well ventilated area, and work with approved safety equipment, such as those dust masks that are specially designed to filter out microscopic particles.

< Sólo en los Estados Unidos >

# ADVERTENCIA

Algunos polvos creados por el lijado, aserrado, esmerilado, taladrado y otras actividades de la construcción contienen sustancias químicas reconocidas por el Estado de California como causantes de cáncer, defectos de nacimiento y otros peligros de reproducción. Algunos ejemplos de estos productos químicos son:

- plomo de pinturas a base de plomo,
- sílice cristalino de ladrillos y cemento y otros productos de albañilería, y
- arsénico y cromo de maderas tratadas químicamente.

El riesgo al que se expone varía, dependiendo de la frecuencia con la que realice este tipo de trabajo. Para reducir la exposición a estos productos químicos: trabaje en un área bien ventilada y póngase el equipo de seguridad indicado, tal como las máscaras contra polvo que están especialmente diseñadas para filtrar partículas microscópicas.

**Makita Corporation**

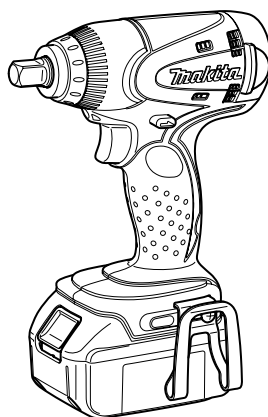
3-11-8, Sumiyoshi-cho,  
Anjo, Aichi 446-8502 Japan

INSTRUCTION MANUAL  
MANUEL D'INSTRUCTION  
MANUAL DE INSTRUCCIONES



# Cordless Impact Wrench Boulonneuse sans Fil Llave de Impacto Inalámbrica

XWT05



007450

**IMPORTANT:** Read Before Using.  
**IMPORTANT:** Lire avant usage.  
**IMPORTANTE:** Leer antes de usar.

## ENGLISH (Original instructions)

# SPECIFICATIONS

Model		XWT05	
Capacities	Standard bolt	M10 - M16 (3/8" - 5/8" )	
	High tensile bolt	M10 - M14 (3/8" - 9/16" )	
Square drive		12.7 mm (1/2")	
No load speed (RPM)		0 - 2,100 /min	
Impacts per minute		0 - 3,200	
Max. fastening torque		230 N·m (2,040 in.lbs)	
Overall length		165 mm (6-1/2")	
Net weight		1.5 kg (3.3 lbs)	1.7 kg (3.8 lbs)
Rated voltage		D.C. 18 V	
Standard battery cartridge		BL1815 / BL1815N	BL1830 / BL1840

- Due to our continuing program of research and development, the specifications herein are subject to change without notice.
- Specifications and battery cartridge may differ from country to country.
- Weight, with battery cartridge, according to EPTA-Procedure 01/2003

GEA006-2

## General Power Tool Safety

### Warnings

**⚠ WARNING** Read all safety warnings and all instructions. Failure to follow the warnings and instructions may result in electric shock, fire and/or serious injury.

## Save all warnings and instructions for future reference.

The term "power tool" in the warnings refers to your mains-operated (corded) power tool or battery-operated (cordless) power tool.

### Work area safety

1. **Keep work area clean and well lit.** Cluttered or dark areas invite accidents.
2. **Do not operate power tools in explosive atmospheres, such as in the presence of flammable liquids, gases or dust.** Power tools create sparks which may ignite the dust or fumes.
3. **Keep children and bystanders away while operating a power tool.** Distractions can cause you to lose control.

### Electrical Safety

4. **Power tool plugs must match the outlet. Never modify the plug in any way. Do not use any adapter plugs with earthed (grounded) power tools.** Unmodified plugs and matching outlets will reduce risk of electric shock.
5. **Avoid body contact with earthed or grounded surfaces such as pipes, radiators, ranges and refrigerators.** There is an increased risk of electric shock if your body is earthed or grounded.

6. **Do not expose power tools to rain or wet conditions.** Water entering a power tool will increase the risk of electric shock.
7. **Do not abuse the cord. Never use the cord for carrying, pulling or unplugging the power tool. Keep cord away from heat, oil, sharp edges or moving parts.** Damaged or entangled cords increase the risk of electric shock.
8. **When operating a power tool outdoors, use an extension cord suitable for outdoor use.** Use of a cord suitable for outdoor use reduces the risk of electric shock.
9. **If operating a power tool in a damp location is unavoidable, use a ground fault circuit interrupter (GFCI) protected supply.** Use of an GFCI reduces the risk of electric shock.

### Personal Safety

10. **Stay alert, watch what you are doing and use common sense when operating a power tool. Do not use a power tool while you are tired or under the influence of drugs, alcohol or medication.** A moment of inattention while operating power tools may result in serious personal injury.
11. **Use personal protective equipment. Always wear eye protection.** Protective equipment such as dust mask, non-skid safety shoes, hard hat, or hearing protection used for appropriate conditions will reduce personal injuries.
12. **Prevent unintentional starting. Ensure the switch is in the off-position before connecting to power source and/or battery pack, picking up or carrying the tool.** Carrying power tools with your finger on the switch or energising power tools that have the switch on invites accidents.

13. **Remove any adjusting key or wrench before turning the power tool on.** A wrench or a key left attached to a rotating part of the power tool may result in personal injury.
14. **Do not overreach. Keep proper footing and balance at all times.** This enables better control of the power tool in unexpected situations.
15. **Dress properly. Do not wear loose clothing or jewellery. Keep your hair, clothing, and gloves away from moving parts.** Loose clothes, jewellery or long hair can be caught in moving parts.
16. **If devices are provided for the connection of dust extraction and collection facilities, ensure these are connected and properly used.** Use of dust collection can reduce dust-related hazards.

#### **Power tool use and care**

17. **Do not force the power tool. Use the correct power tool for your application.** The correct power tool will do the job better and safer at the rate for which it was designed.
18. **Do not use the power tool if the switch does not turn it on and off.** Any power tool that cannot be controlled with the switch is dangerous and must be repaired.
19. **Disconnect the plug from the power source and/or the battery pack from the power tool before making any adjustments, changing accessories, or storing power tools.** Such preventive safety measures reduce the risk of starting the power tool accidentally.
20. **Store idle power tools out of the reach of children and do not allow persons unfamiliar with the power tool or these instructions to operate the power tool.** Power tools are dangerous in the hands of untrained users.
21. **Maintain power tools. Check for misalignment or binding of moving parts, breakage of parts and any other condition that may affect the power tool's operation. If damaged, have the power tool repaired before use.** Many accidents are caused by poorly maintained power tools.
22. **Keep cutting tools sharp and clean.** Properly maintained cutting tools with sharp cutting edges are less likely to bind and are easier to control.
23. **Use the power tool, accessories and tool bits etc. in accordance with these instructions, taking into account the working conditions and the work to be performed.** Use of the power tool for operations different from those intended could result in a hazardous situation.

#### **Battery tool use and care**

24. **Recharge only with the charger specified by the manufacturer.** A charger that is suitable for one type of battery pack may create a risk of fire when used with another battery pack.
25. **Use power tools only with specifically designated battery packs.** Use of any other battery packs may create a risk of injury and fire.
26. **When battery pack is not in use, keep it away from other metal objects, like paper clips, coins, keys, nails, screws or other small metal objects, that can make a connection from one terminal to another.** Shorting the battery terminals together may cause burns or a fire.
27. **Under abusive conditions, liquid may be ejected from the battery; avoid contact. If contact accidentally occurs, flush with water. If liquid contacts eyes, additionally seek medical help.** Liquid ejected from the battery may cause irritation or burns.

#### **Service**

28. **Have your power tool serviced by a qualified repair person using only identical replacement parts.** This will ensure that the safety of the power tool is maintained.
29. **Follow instruction for lubricating and changing accessories.**
30. **Keep handles dry, clean and free from oil and grease.**

GEB049-2

## **CORDLESS IMPACT WRENCH SAFETY WARNINGS**

1. **Hold power tool by insulated gripping surfaces, when performing an operation where the fastener may contact hidden wiring.** Fasteners contacting a "live" wire may make exposed metal parts of the power tool "live" and could give the operator an electric shock.
2. **Wear ear protectors.**
3. **Check the socket carefully for wear, cracks or damage before installation.**
4. **Hold the tool firmly.**
5. **Always be sure you have a firm footing. Be sure no one is below when using the tool in high locations.**
6. **The proper fastening torque may differ depending upon the kind or size of the bolt. Check the torque with a torque wrench.**

## **SAVE THESE INSTRUCTIONS.**




## **⚠WARNING:**

**DO NOT** let comfort or familiarity with product (gained from repeated use) replace strict adherence to safety rules for the subject product. **MISUSE** or failure to follow the safety rules stated in this instruction manual may cause serious personal injury.

USD302-1

## **Symbols**

The followings show the symbols used for tool.

	volts
	direct current
$n_0$	no load speed
$\dots / \text{min}$ $r / \text{min}$	revolutions or reciprocation per minute
	number of blow

ENC007-7

## **IMPORTANT SAFETY INSTRUCTIONS**

### **FOR BATTERY CARTRIDGE**

1. Before using battery cartridge, read all instructions and cautionary markings on (1) battery charger, (2) battery, and (3) product using battery.
2. Do not disassemble battery cartridge.
3. If operating time has become excessively shorter, stop operating immediately. It may result in a risk of overheating, possible burns and even an explosion.
4. If electrolyte gets into your eyes, rinse them out with clear water and seek medical attention right away. It may result in loss of your eyesight.
5. Do not short the battery cartridge:
  - (1) Do not touch the terminals with any conductive material.
  - (2) Avoid storing battery cartridge in a container with other metal objects such as nails, coins, etc.
  - (3) Do not expose battery cartridge to water or rain.

A battery short can cause a large current flow, overheating, possible burns and even a breakdown.

6. Do not store the tool and battery cartridge in locations where the temperature may reach or exceed 50 ° C (122 ° F).

7. Do not incinerate the battery cartridge even if it is severely damaged or is completely worn out. The battery cartridge can explode in a fire.
8. Be careful not to drop or strike battery.
9. Do not use a damaged battery.

## **SAVE THESE INSTRUCTIONS.**

### **Tips for maintaining maximum battery life**

1. Charge the battery cartridge before completely discharged. Always stop tool operation and charge the battery cartridge when you notice less tool power.
2. Never recharge a fully charged battery cartridge. Overcharging shortens the battery service life.
3. Charge the battery cartridge with room temperature at 10 ° C - 40 ° C (50 ° F - 104 ° F). Let a hot battery cartridge cool down before charging it.
4. Charge the battery cartridge once in every six months if you do not use it for a long period of time.

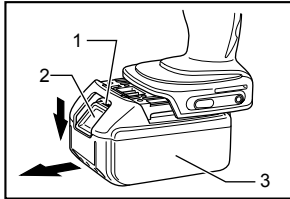


## FUNCTIONAL DESCRIPTION

### CAUTION:

- Always be sure that the tool is switched off and the battery cartridge is removed before adjusting or checking function on the tool.

### Installing or removing battery cartridge

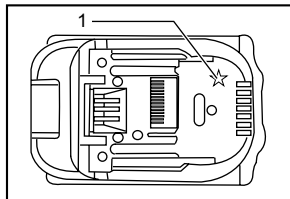


1. Red indicator
2. Button
3. Battery cartridge

012090

- Always switch off the tool before installing or removing of the battery cartridge.
- To remove the battery cartridge, slide it from the tool while sliding the button on the front of the cartridge.
- To install the battery cartridge, align the tongue on the battery cartridge with the groove in the housing and slip it into place. Always insert it all the way until it locks in place with a little click. If you can see the red indicator on the upper side of the button, it is not locked completely. Install it fully until the red indicator cannot be seen. If not, it may accidentally fall out of the tool, causing injury to you or someone around you.
- Do not use force when installing the battery cartridge. If the cartridge does not slide in easily, it is not being inserted correctly.

### Battery protection system (Lithium-ion battery with star marking)



1. Star marking

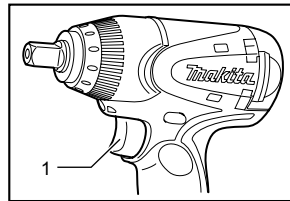
012128

Lithium-ion batteries with a star marking are equipped with a protection system. This system automatically cuts off power to the tool to extend battery life.

The tool will automatically stop during operation if the tool and/or battery are placed under one of the following conditions:

- **Overloaded:**  
The tool is operated in a manner that causes it to draw an abnormally high current. In this situation, release the trigger switch on the tool and stop the application that caused the tool to become overloaded. Then pull the trigger switch again to restart. If the tool does not start, the battery is overheated. In this situation, let the battery cool before pulling the trigger switch again.
- **Low battery voltage:**  
The remaining battery capacity is too low and the tool will not operate. In this situation, remove and recharge the battery.

### Switch action



1. Switch trigger

007452

### CAUTION:

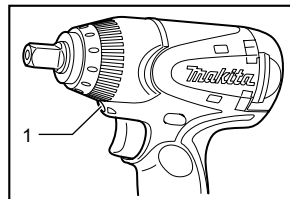
- Before inserting the battery cartridge into the tool, always check to see that the switch trigger actuates properly and returns to the "OFF" position when released.

To start the tool, simply pull the switch trigger. Tool speed is increased by increasing pressure on the switch trigger. Release the switch trigger to stop.

### Electric brake

This tool is equipped with an electric brake. If the tool consistently fails to quickly stop after switch trigger release, have tool serviced at a Makita service center.

### Lighting up the front lamp



1. Lamp

007462

**⚠CAUTION:**

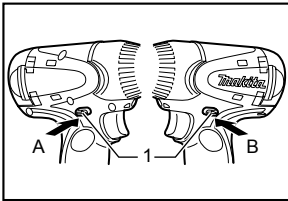
- Do not look in the light or see the source of light directly.

Pull the switch trigger to light up the lamp. The lamp keeps on lighting while the switch trigger is being pulled. The light automatically goes out 10 - 15 seconds after the switch trigger is released.

**NOTE:**

- Use a dry cloth to wipe the dirt off the lens of lamp. Be careful not to scratch the lens of lamp, or it may lower the illumination.

**Reversing switch action**



007453

1. Reversing switch lever

This tool has a reversing switch to change the direction of rotation. Depress the reversing switch lever from the A side for clockwise rotation or from the B side for counterclockwise rotation.

When the reversing switch lever is in the neutral position, the switch trigger cannot be pulled.

**⚠CAUTION:**

- Always check the direction of rotation before operation.
- Use the reversing switch only after the tool comes to a complete stop. Changing the direction of rotation before the tool stops may damage the tool.
- When not operating the tool, always set the reversing switch lever to the neutral position.

**ASSEMBLY**

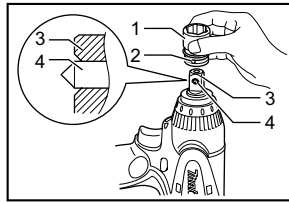
**⚠CAUTION:**

- Always be sure that the tool is switched off and the battery cartridge is removed before carrying out any work on the tool.

**Selecting correct socket**

Always use the correct size socket for bolts and nuts. An incorrect size socket will result in inaccurate and inconsistent fastening torque and/or damage to the bolt or nut.

**Installing or removing socket**



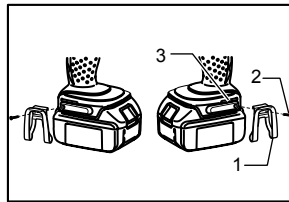
007456

1. Socket  
2. Hole  
3. Anvil  
4. Detent pin

Align the hole in the side of the socket with the detent pin on the anvil and push it onto the anvil of the tool until it locks into place. Tap it lightly if required.

To remove the socket, simply pull it off.

**Hook**



007521

1. Hook  
2. Screw  
3. Groove

The hook is convenient for temporarily hanging the tool. This can be installed on either side of the tool.

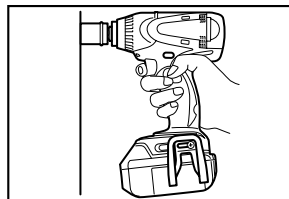
To install the hook, insert it into a groove in the tool housing on either side and then secure it with a screw. To remove, loosen the screw and then take it out.

**OPERATION**

**⚠CAUTION:**

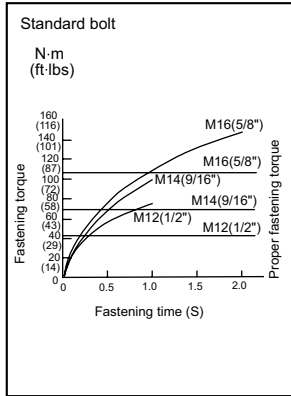
- Always insert the battery cartridge all the way until it locks in place. If you can see the red part on the upper side of the button, it is not locked completely. Insert it fully until the red part cannot be seen. If not, it may accidentally fall out of the tool, causing injury to you or someone around you.

Hold the tool firmly and place the socket over the bolt or nut. Turn the tool on and fasten for the proper fastening time.

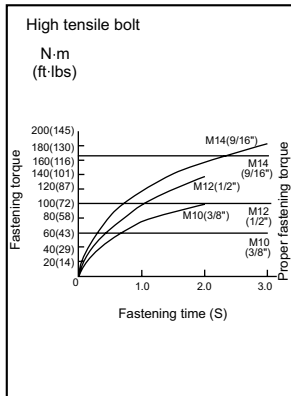


007461

The proper fastening torque may differ depending upon the kind or size of the bolt, the material of the workpiece to be fastened, etc. The relation between fastening torque and fastening time is shown in the figures.



007538



007537

**NOTE:**

- Hold the tool pointed straight at the bolt or nut.
- Excessive fastening torque may damage the bolt/nut or socket. Before starting your job, always perform a test operation to determine the proper fastening time for your bolt or nut.
- If the tool is operated continuously until the battery cartridge has discharged, allow the tool to rest for 15 minutes before proceeding with a fresh battery cartridge.

The fastening torque is affected by a wide variety of factors including the following. After fastening, always check the torque with a torque wrench.

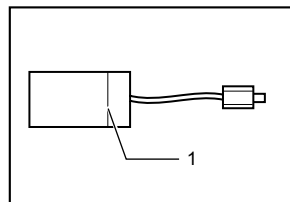
1. When the battery cartridge is discharged almost completely, voltage will drop and the fastening torque will be reduced.
2. Socket
  - Failure to use the correct size socket will cause a reduction in the fastening torque.
  - A worn socket (wear on the hex end or square end) will cause a reduction in the fastening torque.
3. Bolt
  - Even though the torque coefficient and the class of bolt are the same, the proper fastening torque will differ according to the diameter of bolt.
  - Even though the diameters of bolts are the same, the proper fastening torque will differ according to the torque coefficient, the class of bolt and the bolt length.
4. The use of the universal joint or the extension bar somewhat reduces the fastening force of the impact wrench. Compensate by fastening for a longer period of time.
5. The manner of holding the tool or the material of driving position to be fastened will affect the torque.
6. Operating the tool at low speed will cause a reduction in the fastening torque.

**MAINTENANCE**

**⚠CAUTION:**

- Always be sure that the tool is switched off and the battery cartridge is removed before attempting to perform inspection or maintenance.
- Never use gasoline, benzine, thinner, alcohol or the like. Discoloration, deformation or cracks may result.

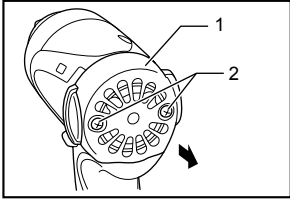
**Replacing carbon brushes**



1. Limit mark

006258

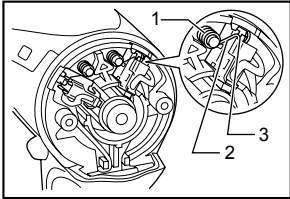
Replace when they wear down to the limit mark. Keep the carbon brushes clean and free to slip in the holders. Both carbon brushes should be replaced at the same time. Use only identical carbon brushes. Use a screwdriver to remove two screws then remove the rear cover.



1. Rear cover
2. Screws

007458

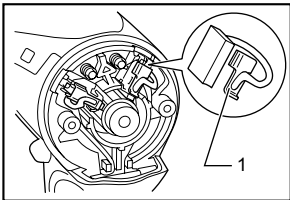
Raise the arm part of the spring and then place it in the recessed part of the housing with a slotted bit screwdriver or slender shaft or the like.



1. Spring
2. Arm
3. Recessed part

007459

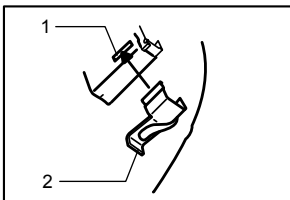
Use pliers to remove the carbon brush caps of the carbon brushes. Take out the worn carbon brushes, insert the new ones and replace the carbon brush caps in reverse.



1. Carbon brush cap

007460

Make sure that the carbon brush caps have fit into the holes in brush holders securely.



1. Hole
2. Carbon brush cap

006304

Reinstall the rear cover and tighten two screws securely. After replacing brushes, insert the battery cartridge into the tool and break in brushes by running tool with no load for about 1 minute. Then check the tool while running and electric brake operation when releasing the switch trigger. If electric brake is not working well, ask your local Makita service center for repair.

To maintain product SAFETY and RELIABILITY, repairs, any other maintenance or adjustment should be performed by Makita Authorized or Factory Service Centers, always using Makita replacement parts.

## OPTIONAL ACCESSORIES

### ⚠CAUTION:

- These accessories or attachments are recommended for use with your Makita tool specified in this manual. The use of any other accessories or attachments might present a risk of injury to persons. Only use accessory or attachment for its stated purpose.

If you need any assistance for more details regarding these accessories, ask your local Makita Service Center.

- Sockets
- Extension bar
- Universal joint
- Bit adapter
- Various type of Makita genuine batteries and chargers

### NOTE:

- Some items in the list may be included in the tool package as standard accessories. They may differ from country to country.

---

## **MAKITA LIMITED ONE YEAR WARRANTY**

### **Warranty Policy**

Every Makita tool is thoroughly inspected and tested before leaving the factory. It is warranted to be free of defects from workmanship and materials for the period of ONE YEAR from the date of original purchase. Should any trouble develop during this one year period, return the COMPLETE tool, freight prepaid, to one of Makita's Factory or Authorized Service Centers. If inspection shows the trouble is caused by defective workmanship or material, Makita will repair (or at our option, replace) without charge.

This Warranty does not apply where:

- repairs have been made or attempted by others:
- repairs are required because of normal wear and tear:
- the tool has been abused, misused or improperly maintained:
- alterations have been made to the tool.

IN NO EVENT SHALL MAKITA BE LIABLE FOR ANY INDIRECT, INCIDENTAL OR CONSEQUENTIAL DAMAGES FROM THE SALE OR USE OF THE PRODUCT. THIS DISCLAIMER APPLIES BOTH DURING AND AFTER THE TERM OF THIS WARRANTY.

MAKITA DISCLAIMS LIABILITY FOR ANY IMPLIED WARRANTIES, INCLUDING IMPLIED WARRANTIES OF "MERCHANTABILITY" AND "FITNESS FOR A SPECIFIC PURPOSE," AFTER THE ONE YEAR TERM OF THIS WARRANTY.

This Warranty gives you specific legal rights, and you may also have other rights which vary from state to state. Some states do not allow the exclusion or limitation of incidental or consequential damages, so the above limitation or exclusion may not apply to you. Some states do not allow limitation on how long an implied warranty lasts, so the above limitation may not apply to you.

EN0006-1

## SPÉCIFICATIONS

Modèle		XWT05	
Capacités	Boulon standard	M10 - M16 (3/8" - 5/8" )	
	Boulon à haute résistance	M10 - M14 (3/8" - 9/16" )	
Tournevis carré		12,7 mm (1/2")	
Vitesse à vide (T/MIN)		0 - 2 100 /min	
Percussions par minute		0 - 3 200	
Couple de serrage max.		230 N·m (2 040 in.lbs)	
Longueur totale		165 mm (6-1/2")	
Poids net		1,5 kg (3,3 lbs)	1,7 kg (3,8 lbs)
Tension nominale		C.C. 18 V	
Batterie standard		BL1815 / BL1815N	BL1830 / BL1840

• Étant donné l'évolution constante de notre programme de recherche et de développement, les spécifications contenues dans ce manuel sont sujettes à modification sans préavis.

• Les caractéristiques techniques et la batterie peuvent varier suivant les pays.

• Poids, batterie comprise, conforme à la procédure EPTA de 01/2003

GEA006-2

## Consignes de sécurité générales pour outils électriques

**⚠ MISE EN GARDE** Veuillez lire toutes les mises en garde de sécurité et toutes les instructions. L'ignorance des mises en garde et des instructions comporte un risque de choc électrique, d'incendie et/ou de blessure grave.

## Conservez toutes les mises en garde et instructions pour référence future.

Le terme « outil électrique » qui figure dans les avertissements fait référence à un outil électrique branché sur une prise de courant (par un cordon d'alimentation) ou alimenté par batterie (sans fil).

### Sécurité de la zone de travail

1. **Maintenez la zone de travail propre et bien éclairée.** Les zones de travail encombrées ou sombres ouvrent grande la porte aux accidents.
2. **N'utilisez pas les outils électriques dans les atmosphères explosives, par exemple en présence de liquides, gaz ou poussières inflammables.** Les outils électriques produisent des étincelles au contact desquelles la poussière ou les vapeurs peuvent s'enflammer.
3. **Assurez-vous qu'aucun enfant ou curieux ne s'approche pendant que vous utilisez un outil électrique.** Vous risquez de perdre la maîtrise de l'outil si votre attention est détournée.

### Sécurité en matière d'électricité

4. **Les fiches d'outil électrique sont conçues pour s'adapter parfaitement aux prises de courant. Ne modifiez jamais la fiche de quelque façon que ce soit. N'utilisez aucun adaptateur de fiche sur les outils électriques avec mise à la terre.** En ne modifiant pas les fiches et en les insérant dans des prises de courant pour lesquelles elles ont été conçues vous réduirez les risques de choc électrique.
5. **Évitez tout contact corporel avec les surfaces mises à la terre, telles que les tuyaux, radiateurs, cuisinières et réfrigérateurs.** Le risque de choc électrique est plus élevé si votre corps se trouve mis à la terre.
6. **N'exposez pas les outils électriques à la pluie ou à l'eau.** La présence d'eau dans un outil électrique augmente le risque de choc électrique.
7. **Ne maltraitez pas le cordon. N'utilisez jamais le cordon pour transporter, tirer ou débrancher l'outil électrique. Maintenez le cordon à l'écart des sources de chaleur, de l'huile, des objets à bords tranchants et des pièces en mouvement.** Le risque de choc électrique est plus élevé lorsque les cordons sont endommagés ou enchevêtrés.
8. **Lorsque vous utilisez un outil électrique à l'extérieur, utilisez un cordon prolongateur prévu à cette fin.** Les risques de choc électrique sont moindres lorsqu'un cordon conçu pour l'extérieur est utilisé.
9. **Si vous devez utiliser un outil électrique dans un endroit humide, utilisez une source d'alimentation protégée par un disjoncteur de fuite à la terre.** L'utilisation d'un disjoncteur de fuite à la terre réduit le risque de choc électrique.

## Sécurité personnelle

10. **Restez alerte, attentif à vos mouvements et faites preuve de bon sens lorsque vous utilisez un outil électrique. Évitez d'utiliser un outil électrique si vous êtes fatigué ou si vous avez pris une drogue, de l'alcool ou un médicament.** Un moment d'inattention pendant l'utilisation d'un outil électrique peut entraîner une grave blessure.
11. **Portez des dispositifs de protection personnelle. Portez toujours un protecteur pour la vue.** Les risques de blessure seront moins élevés si vous utilisez des dispositifs de protection tels qu'un masque antipoussières, des chaussures à semelle antidérapante, une coiffure résistante ou une protection d'oreilles.
12. **Évitez les démarrages accidentels. Assurez-vous que l'interrupteur soit en position d'arrêt avant de brancher l'outil à la prise électrique et/ou au bloc-piles, avant de prendre ou de transporter l'outil.** Vous ouvrez la porte aux accidents si vous transportez les outils électriques avec le doigt sur l'interrupteur ou si vous les branchez alors que l'interrupteur est en position de marche.
13. **Retirez toute clé de réglage ou de serrage avant de mettre l'outil sous tension.** Toute clé laissée en place sur une pièce rotative de l'outil électrique peut entraîner une blessure.
14. **Maintenez une bonne position. Assurez-vous d'une bonne prise au sol et d'une bonne position d'équilibre en tout temps.** Cela vous permettra d'avoir une meilleure maîtrise de l'outil dans les situations imprévues.
15. **Portez des vêtements adéquats. Ne portez ni vêtements amples ni bijoux. Vous devez maintenir cheveux, vêtements et gants à l'écart des pièces en mouvement.** Les pièces en mouvement peuvent happer les vêtements amples, les bijoux et les cheveux longs.
16. **Si des accessoires sont fournis pour raccorder un appareil d'aspiration et de collecte de la poussière, assurez-vous qu'ils sont correctement raccordés et qu'ils sont utilisés de manière adéquate.** L'utilisation d'un appareil d'aspiration permet de réduire les risques liés à la présence de poussière dans l'air.

## Utilisation et entretien des outils électriques

17. **Ne forcez pas l'outil électrique. Utilisez l'outil électrique adéquat suivant le type de travail à effectuer.** Si vous utilisez l'outil électrique adéquat et respectez le régime pour lequel il a été conçu, il effectuera un travail de meilleure qualité et de façon plus sécuritaire.
18. **N'utilisez pas l'outil électrique s'il n'est pas possible de mettre sa gâchette en position de marche et d'arrêt.** Un outil électrique dont

l'interrupteur est défectueux représente un danger et doit être réparé.

19. **Débranchez la fiche de la source d'alimentation et/ou retirez le bloc-piles de l'outil électrique avant d'effectuer tout réglage, de changer un accessoire ou de ranger l'outil électrique.** De telles mesures préventives réduisent les risques de démarrage accidentel de l'outil électrique.
20. **Après l'utilisation d'un outil électrique, rangez-le hors de portée des enfants et ne laissez aucune personne l'utiliser si elle n'est pas familiarisée avec l'outil électrique ou les présentes instructions d'utilisation.** Les outils électriques représentent un danger entre les mains de personnes qui n'en connaissent pas le mode d'utilisation.
21. **Veillez à l'entretien des outils électriques. Assurez-vous que les pièces mobiles ne sont pas désalignées ou coincées, qu'aucune pièce n'est cassée et que l'outil électrique n'a subi aucun dommage affectant son bon fonctionnement. Le cas échéant, faites réparer l'outil électrique avant de l'utiliser.** De nombreux accidents sont causés par des outils électriques mal entretenus.
22. **Maintenez les outils tranchants bien aiguisés et propres.** Un outil tranchant dont l'entretien est effectué correctement et dont les bords sont bien aiguisés risquera moins de se coincer et sera plus facile à maîtriser.
23. **Utilisez l'outil électrique, ses accessoires, ses embouts, etc., en respectant les présentes instructions, en tenant compte des conditions de travail et du type de travail à effectuer.** L'utilisation d'un outil électrique à des fins autres que celles prévues peut entraîner une situation dangereuse.

## Utilisation et entretien des outils alimentés par batterie

24. **Pour recharger, utilisez uniquement le chargeur spécifié par le fabricant.** L'utilisation d'un chargeur conçu pour un type donné de bloc-piles comporte un risque d'incendie lorsqu'il est utilisé avec un autre type de bloc-piles.
25. **N'utilisez un outil électrique qu'avec le bloc-piles conçu spécifiquement pour cet outil.** Il y a un risque de blessure ou d'incendie si un autre bloc-piles est utilisé.
26. **Lorsque vous n'utilisez pas le bloc-piles, rangez-le à l'écart des objets métalliques tels que trombones, pièces de monnaie, clés, clous, vis ou autres petits objets métalliques qui risquent d'établir une connexion entre les bornes.** La mise en court-circuit des bornes de batterie peut causer des brûlures ou un incendie.

27. Dans des conditions d'utilisation inadéquates de la batterie, il peut y avoir fuite d'électrolyte; évitez tout contact avec ce liquide. En cas de contact accidentel, rincez avec beaucoup d'eau. Si le liquide pénètre dans vos yeux, il faut aussi consulter un médecin. L'électrolyte qui s'échappe de la batterie peut causer des irritations ou des brûlures.

#### Réparation

28. Faites réparer votre outil électrique par un réparateur qualifié qui utilise des pièces de rechange identiques aux pièces d'origine. Le maintien de la sûreté de l'outil électrique sera ainsi assuré.
29. Suivez les instructions de lubrification et de changement des accessoires.
30. Maintenez les poignées de l'outil sèches, propres et exemptes d'huile ou de graisse.

GEB049-2

## CONSIGNES DE SÉCURITÉ POUR LA BOULONNEUSE SANS FIL

1. Tenez l'outil par ses surfaces de prise isolées pendant toute opération où l'accessoire de fixation pourrait venir en contact avec un câblage dissimulé. En cas de contact avec un conducteur sous tension, les pièces métalliques à découvert de l'outil pourraient devenir sous tension et risqueraient de transmettre une décharge électrique à l'utilisateur.
2. Portez une protection d'oreilles.
3. Avant installation, vérifiez soigneusement que la douille ne porte ni marque d'usure, ni fissures ou tout autre dommage.
4. Tenez l'outil fermement.
5. Adoptez toujours une position de travail vous assurant d'un bon équilibre. Assurez-vous qu'il n'y a personne plus bas lorsque vous utilisez l'outil en position élevée.
6. Le couple de serrage correct peut varier selon le type ou la taille du boulon. Vérifiez-le à l'aide d'une clé dynamométrique.

## CONSERVEZ CE MODE D'EMPLOI.


### ⚠ AVERTISSEMENT:

**NE VOUS LAISSEZ PAS tromper** (au fil d'une utilisation répétée) par un sentiment d'aisance ou de familiarité avec le produit en négligeant les consignes de sécurité qui accompagnent le produit. L'utilisation non sécuritaire ou incorrecte de cet outil comporte un risque de blessure grave.

USD302-1

## Symboles

Les symboles utilisés pour l'outil sont indiqués ci-dessous.

- |   |                                   |
|---|-----------------------------------|
| v   | · volts                           |
| —   | · courant continu                 |
| n <sub>o</sub>  | · vitesse à vide                  |
| ... /min  | · tours ou alternances par minute |
| r /min  | ·                                 |
|  | · nombre de frappes               |

ENC007-7

## CONSIGNES DE SÉCURITÉ IMPORTANTES

### POUR LA BATTERIE

1. Avant d'utiliser la batterie, lisez toutes les instructions et précautions relatives (1) au chargeur de batterie, (2) à la batterie, et (3) à l'outil utilisant la batterie.
2. Ne démontez pas la batterie.
3. Cessez immédiatement l'utilisation si le temps de fonctionnement devient excessivement court. Il y a un risque de surchauffe, de brûlures, voire d'explosion.
4. Si l'électrolyte pénètre dans vos yeux, rincez-les à l'eau claire et consultez immédiatement un médecin. Il y a un risque de perte de la vue.
5. Ne court-circuitez pas la batterie :
  - (1) Ne touchez les bornes avec aucun matériau conducteur.
  - (2) Évitez de ranger la batterie dans un conteneur avec d'autres objets métalliques, par exemple des clous, des pièces de monnaie, etc.
  - (3) Évitez d'exposer la batterie à l'eau ou à la pluie.

Un court-circuit de la batterie pourrait provoquer un fort courant, une surchauffe, parfois des brûlures et même une panne.

6. Ne rangez pas l'outil ou la batterie dans des endroits où la température risque d'atteindre ou de dépasser 50 ° C (122 ° F).



7. **Ne jetez pas la batterie au feu même si elle est sérieusement endommagée ou complètement épuisée. La batterie peut exploser au contact du feu.**
8. **Prenez garde d'échapper ou de heurter la batterie.**
9. **N'utilisez pas une batterie si elle est endommagée.**

## CONSERVEZ CE MODE D'EMPLOI.

### Conseils pour obtenir la durée de service maximale de la batterie

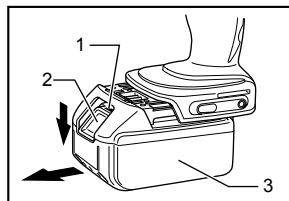
1. **Rechargez la batterie avant qu'elle ne soit complètement déchargée. Arrêtez toujours l'outil et rechargez la batterie quand vous remarquez que la puissance de l'outil diminue.**
2. **Ne rechargez jamais une batterie complètement chargée. La surcharge réduit la durée de service de la batterie.**
3. **Rechargez la batterie à une température ambiante comprise entre 10 ° C et 40 ° C (50 ° F - 104 ° F). Si la batterie est chaude, laissez-la refroidir avant de la recharger.**
4. **Rechargez la batterie tous les six mois si l'appareil n'est pas utilisé pendant de longues périodes.**

## DESCRIPTION DU FONCTIONNEMENT

### ⚠ATTENTION:

- Assurez-vous toujours que l'outil est hors tension et que sa batterie est retirée avant de l'ajuster ou de vérifier son fonctionnement.

### Installation ou retrait de la batterie

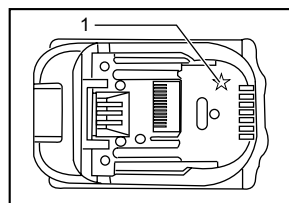


1. Indicateur rouge
2. Bouton
3. Batterie

012090

- Mettez toujours l'appareil hors tension avant d'installer ou de retirer la batterie.
- Pour retirer la batterie, faites-la glisser de l'outil tout en faisant glisser le bouton se trouvant à l'avant.
- Pour installer la batterie, alignez sa languette sur la rainure pratiquée dans le boîtier, et glissez la batterie en place. Insérez-la toujours à fond jusqu'à ce que vous entendiez un clic. Si vous pouvez voir l'indicateur rouge situé sur le dessus du bouton, la batterie n'est pas complètement verrouillée. Installez-la à fond jusqu'à ce que vous ne puissiez plus voir l'indicateur rouge. Dans le cas contraire, elle pourrait tomber de l'outil et entraîner des blessures.
- N'installez pas la batterie par la force. Si la batterie ne glisse pas facilement, c'est qu'elle n'est pas insérée correctement.

### Système de protection de la batterie (batterie lithium-ion marquée d'une étoile)



1. Étoile

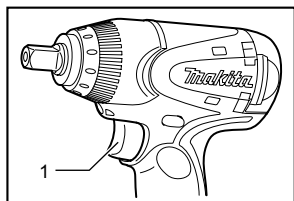
012128

Les batteries lithium-ion marquées d'une étoile sont équipées d'un système de protection. Ce système coupe automatiquement l'alimentation de l'outil pour augmenter la durée de vie de la batterie.

L'outil s'arrête automatiquement pendant l'utilisation lorsque l'outil et/ou la batterie sont dans l'une des situations suivantes :

- En surcharge :  
L'outil est utilisé d'une manière entraînant une consommation anormale de courant.  
Dans cette situation, relâchez la gâchette et arrêtez l'activité qui entraîne une surcharge de l'outil. Puis appuyez de nouveau sur la gâchette pour redémarrer.  
Si l'outil ne démarre pas, la batterie est en surchauffe. Dans cette situation, laissez refroidir la batterie avant d'appuyer de nouveau sur la gâchette.
- Tension de la batterie faible :  
La capacité restante de la batterie est trop faible pour que l'outil puisse fonctionner. Dans cette situation, retirez et rechargez la batterie.

## Interrupteur



1. Gâchette

007452

### ⚠ATTENTION:

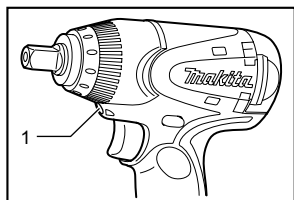
- Avant d'insérer la batterie dans l'outil, vérifiez toujours que la gâchette fonctionne bien et revient en position d'arrêt lorsque relâchée.

Pour mettre l'outil en marche, appuyez simplement sur la gâchette. La vitesse de l'outil augmente à mesure que l'on accroît la pression exercée sur la gâchette. Pour l'arrêter, relâchez la gâchette.

## Frein électrique

Cet outil est équipé d'un frein électrique. Si à plusieurs reprises l'outil ne s'arrête pas rapidement après le relâchement de la gâchette, faites-le réparer dans un centre de service après-vente Makita.

## Allumage de la lampe avant



1. Lampe

007462

### ⚠ATTENTION:

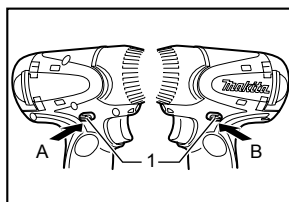
- Évitez de regarder directement le faisceau lumineux ou sa source.

Appuyez sur la gâchette pour allumer la lampe. La lampe demeure allumée tant que la pression sur la gâchette est maintenue. Lorsque vous relâchez la gâchette, la lumière s'éteint d'elle-même au bout de 10 à 15 secondes.

### NOTE:

- Utilisez un chiffon sec pour essuyer la saleté qui recouvre la lentille de la lampe. Prenez garde de rayer la lentille de la lampe, pour éviter une diminution de l'éclairage.

## Inverseur



1. Levier inverseur

007453

L'outil possède un inverseur qui permet de changer le sens de rotation. Enfoncez le levier inverseur du côté A pour une rotation dans le sens des aiguilles d'une montre, ou du côté B pour une rotation dans le sens inverse des aiguilles d'une montre.

La pression sur la gâchette n'est pas possible lorsque le levier inverseur se trouve en position neutre.

### ⚠ATTENTION:

- Vérifiez toujours le sens de rotation avant de mettre l'outil en marche.
- N'actionnez l'inverseur qu'une fois que l'outil est complètement arrêté. Si vous changez le sens de rotation avant l'arrêt de l'outil, vous risquez de l'endommager.
- Lorsque vous n'utilisez pas l'outil, placez toujours le levier inverseur en position neutre.

## ASSEMBLAGE

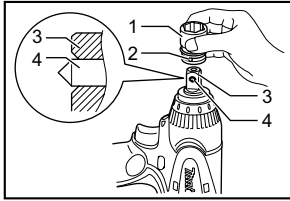
### ⚠ATTENTION:

- Assurez-vous toujours que l'outil est hors tension et que sa batterie est retirée avant d'effectuer tout travail dessus.

### Sélection de la douille

Pour certains modèles il existe différents types de douilles ou embouts, suivant le travail à effectuer. Veuillez choisir et installer une douille ou un embout qui convient au travail à effectuer.

## Installation et retrait de la douille

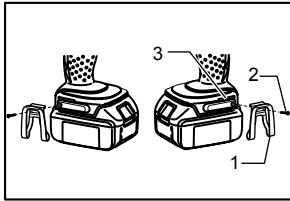


1. Douille
2. Orifice
3. Enclume
4. Broche de détente

007456

Alignez l'orifice qui se trouve du côté de la douille sur la cheville d'arrêt du pignon et appuyez-la contre le pignon de l'outil jusqu'à ce qu'elle se mette en place en émettant un bruit sec. Si nécessaire, frappez légèrement dessus. Pour retirer la douille, tirez simplement dessus.

## Crochet



1. Crochet
2. Vis
3. Rainure

007521

L'outil est équipé d'un crochet pratique qui permet de le suspendre temporairement. Il s'installe d'un côté comme de l'autre de l'outil.

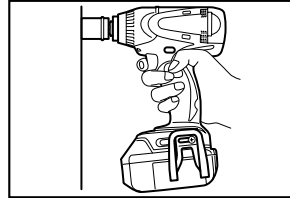
Pour installer le crochet, insérez-le dans les rainures situées de chaque côté du carter de l'outil, puis serrez-le avec une vis. Pour le retirer, desserrez la vis et enlevez-la.

## UTILISATION

### ⚠ ATTENTION:

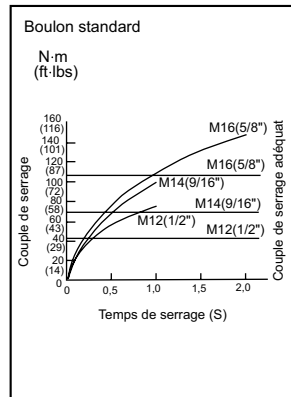
- Insérez toujours la batterie jusqu'au fond, jusqu'à ce qu'elle verrouille en place. Si vous pouvez voir la partie rouge de la face supérieure du bouton, la batterie n'est pas parfaitement verrouillée. Insérez-la à fond, jusqu'à ce que la partie rouge ne soit plus visible. Sinon, elle risque de tomber accidentellement de l'outil, en vous blessant ou en blessant une personne se trouvant près de vous.

Saisissez fermement l'outil et placez la douille sur le boulon ou l'écrou. Mettez l'outil en marche et procédez au serrage, en appliquant le temps de serrage adéquat.

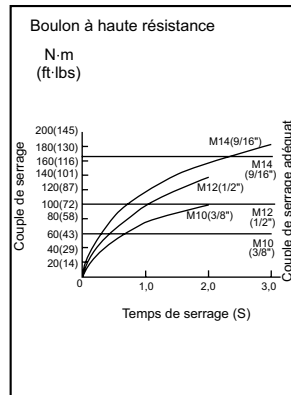


007461

Le couple de serrage adéquat peut varier suivant la sorte ou taille de boulon, suivant le matériau dont se compose la pièce faisant l'objet du serrage, etc. La relation entre le couple de serrage et le temps de serrage est indiquée dans les figures.



007538



007537

### NOTE:

- Tenez votre outil bien droit sur le boulon ou l'écrou.
- Un couple de serrage excessif risque d'endommager le boulon/l'écrou ou la douille.

Avant de commencer le travail, effectuez toujours un essai pour vérifier que le temps de serrage conviennent pour le boulon ou l'écrou en question.

- Si vous utilisez l'outil en continu jusqu'à ce que la batterie soit à plat, attendez 15 minutes avant d'insérer une autre batterie.

Le couple de serrage dépend d'un certain nombre de facteurs, comme suit. Une fois le serrage terminé, vérifiez toujours le couple avec une clé dynamométrique.

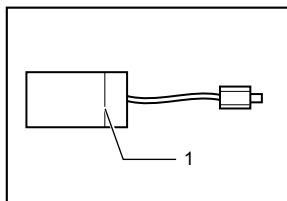
1. Lorsque la batterie est presque complètement déchargée, la tension tombe et le couple de serrage diminue.
2. Douille
  - L'utilisation d'une douille de mauvaise dimension entraînera une réduction du couple de serrage.
  - Une douille usée (usure sur l'extrémité hexagonale ou l'extrémité carrée) entraînera une réduction du couple de serrage.
3. Boulon
  - Même si le coefficient du couple et la catégorie du boulon sont les mêmes, le couple de serrage variera en fonction du diamètre de boulon.
  - Même si les diamètres des boulons sont les mêmes, le couple de serrage variera en fonction du coefficient de couple, de la catégorie du boulon et de la longueur du boulon.
4. L'utilisation d'un joint universel ou d'une barre de rallonge réduit quelque peu la force de serrage de la boulonneuse. Compenser en serrant plus longtemps.
5. Le couple de serrage est affecté par la façon dont vous tenez l'outil ou la pièce, ou par la position de vissage.
6. Le fonctionnement de l'outil à vitesse réduite entraîne une diminution du couple de serrage.

## ENTRETIEN

### **ATTENTION:**

- Assurez-vous toujours que l'outil est hors tension et que la batterie est retirée avant d'y effectuer tout travail d'inspection ou d'entretien.
- N'utilisez jamais d'essence, de benzine, de solvant, d'alcool ou d'autres produits similaires. Une décoloration, une déformation, ou la formation de fissures peuvent en découler.

## Remplacement des charbons

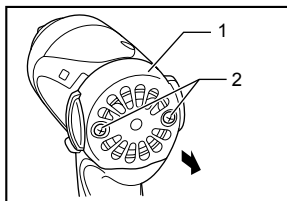


1. Trait de limite d'usure

006258

Remplacez-les lorsqu'ils sont usés jusqu'au trait de limite d'usure. Maintenez les charbons propres et en état de glisser aisément dans les porte-charbon. Les deux charbons doivent être remplacés en même temps. N'utilisez que des charbons identiques.

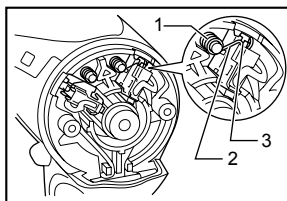
Utilisez un tournevis pour retirer les deux vis, puis retirez le couvercle arrière.



1. Couvercle arrière
2. Vis

007458

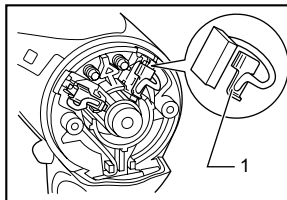
Soulevez le bras du ressort et placez-le dans la partie encastrée du carter avec un tournevis à lame plate, une tige mince ou un objet similaire.



1. Ressort
2. Bras
3. Partie encastrée

007459

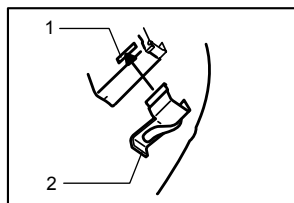
Utilisez des pinces pour retirer les bouchons des charbons. Enlevez les charbons usés, insérez les neufs et remettez en place les bouchons.



1. Bouchon de charbon

007460

Assurez-vous que les bouchons sont bien introduits dans les orifices des charbons.



1. Orifice
2. Bouchon de charbon

006304

Réinstallez le couvercle arrière et serrez les deux vis à fond.

Après avoir remplacé les charbons, insérez la batterie dans l'outil et rodez les brosses en faisant fonctionner l'outil à vide pendant environ 1 minute. Vérifiez ensuite le bon fonctionnement de l'outil, ainsi que l'activation du frein électrique lors du relâchement de la gâchette. Si le frein électrique ne fonctionne pas bien, faites une demande de réparation auprès du centre de service après-vente Makita le plus près.

Pour maintenir la SÉCURITÉ et la FIABILITÉ du produit, les réparations, tout autre travail d'entretien ou de réglage doivent être effectués dans un centre de service Makita agréé ou un centre de service de l'usine Makita, exclusivement avec des pièces de rechange Makita.

## ACCESSOIRES EN OPTION

### ⚠ ATTENTION:

- Ces accessoires ou pièces complémentaires sont recommandés pour l'utilisation avec l'outil Makita spécifié dans ce mode d'emploi. L'utilisation de tout autre accessoire ou pièce complémentaire peut comporter un risque de blessure. N'utilisez les accessoires ou pièces qu'aux fins auxquelles ils ont été conçus.

Si vous désirez obtenir plus de détails concernant ces accessoires, veuillez contacter le centre de service après-vente Makita le plus près.

- Douilles
- Barre de rallonge
- Joint universel
- Adaptateur à embout
- Les divers types de batteries et chargeurs Makita authentiques

### NOTE:

- Certains éléments de la liste peuvent être inclus avec l'outil comme accessoires standard. Ils peuvent varier suivant les pays.

## GARANTIE LIMITÉE D'UN AN MAKITA

### Politique de garantie

Chaque outil Makita est inspecté rigoureusement et testé avant sa sortie d'usine. Nous garantissons qu'il sera exempt de défaut de fabrication et de vice de matériau pour une période d'UN AN à partir de la date de son achat initial. Si un problème quelconque devait survenir au cours de cette période d'un an, veuillez retourner l'outil COMPLET, port payé, à une usine ou à un centre de service après-vente Makita. Makita réparera l'outil gratuitement (ou le remplacera, à sa discrétion) si un défaut de fabrication ou un vice de matériau est découvert lors de l'inspection.

Cette garantie ne s'applique pas dans les cas où:

- des réparations ont été effectuées ou tentées par un tiers;
- des réparations s'imposent suite à une usure normale;
- l'outil a été malmené, mal utilisé ou mal entretenu;
- l'outil a subi des modifications.

MAKITA DÉCLINE TOUTE RESPONSABILITÉ POUR TOUT DOMMAGE ACCESSOIRE OU INDIRECT LIÉ À LA VENTE OU À L'UTILISATION DU PRODUIT. CET AVIS DE NON-RESPONSABILITÉ S'APPLIQUE À LA FOIS PENDANT ET APRÈS LA PÉRIODE COUVERTE PAR CETTE GARANTIE.

MAKITA DÉCLINE TOUTE RESPONSABILITÉ QUANT À TOUTE GARANTIE TACITE, INCLUANT LES GARANTIES TACITES DE "QUALITÉ MARCHANDE" ET "ADÉQUATION À UN USAGE PARTICULIER" APRÈS LA PÉRIODE D'UN AN COUVERTE PAR CETTE GARANTIE.

Cette garantie vous donne des droits spécifiques reconnus par la loi, et possiblement d'autres droits, qui varient d'un État à l'autre. Certains États ne permettant pas l'exclusion ou la limitation des dommages accessoires ou indirects, il se peut que la limitation ou exclusion ci-dessus ne s'applique pas à vous. Certains États ne permettant pas la limitation de la durée d'application d'une garantie tacite, il se peut que la limitation ci-dessus ne s'applique pas à vous.

EN0006-1

## ESPECIFICACIONES

Modelo		XWT05	
Capacidades	Tornillo estándar	M10 - M16 (3/8" - 5/8" )	
	Tornillo de alta tracción	M10 - M14 (3/8" - 9/16" )	
Adaptador cuadrado		12,7 mm (1/2")	
Velocidad sin carga (r.p.m.)		0 - 2 100 r/min	
Impactos por minuto		0 - 3 200	
Torsión de fijación máxima		230 N·m (2 040 in.lbs)	
Longitud total		165 mm (6-1/2")	
Peso neto		1,5 kg (3,3 lbs)	1,7 kg (3,8 lbs)
Tensión nominal		18 V c.c.	
Cartucho de batería estándar		BL1815 / BL1815N	BL1830 / BL1840

- Debido a nuestro programa continuo de investigación y desarrollo, las especificaciones aquí dadas están sujetas a cambios sin previo aviso.
- Las especificaciones y el cartucho de la batería pueden variar de país a país.
- Peso de acuerdo al procedimiento de EPTA-01/2003 incluyendo el cartucho de la batería

GEA006-2

### Seguridad eléctrica

## Advertencias de seguridad generales para herramientas eléctricas

**⚠ ADVERTENCIA:** lea todas las advertencias de seguridad e instrucciones. Si no sigue todas las advertencias e instrucciones indicadas a continuación, podrá ocasionar una descarga eléctrica, un incendio y/o lesiones graves.

## Guarde todas las advertencias e instrucciones para su futura referencia.

El término "herramienta eléctrica" se refiere, en todas las advertencias que aparecen a continuación, a su herramienta eléctrica de funcionamiento con conexión a la red eléctrica (con cableado eléctrico) o herramienta eléctrica de funcionamiento a batería (inalámbrica).

### Seguridad en el área de trabajo

1. **Mantenga el área de trabajo limpia y bien iluminada.** Las áreas oscuras o desordenadas son propensas a accidentes.
2. **No utilice las herramientas eléctricas en atmósferas explosivas, tal como en la presencia de líquidos, gases o polvo inflamables.** Las herramientas eléctricas crean chispas que pueden prender fuego al polvo o los humos.
3. **Mantenga a los niños y curiosos alejados mientras utiliza una herramienta eléctrica.** Las distracciones le pueden hacer perder el control.

4. **Las clavijas de conexión de las herramientas eléctricas deberán encajar perfectamente en la toma de corriente. No modifique nunca la clavija de conexión de ninguna forma. No utilice ninguna clavija adaptadora con herramientas eléctricas que tengan conexión a tierra (puesta a tierra).** La utilización de clavijas no modificadas y que encajen perfectamente en la toma de corriente reducirá el riesgo de que se produzca una descarga eléctrica.
5. **Evite tocar con el cuerpo superficies conectadas a tierra o puestas a tierra tales como tubos, radiadores, cocinas y refrigeradores.** Si su cuerpo es puesto a tierra o conectado a tierra existirá un mayor riesgo de que sufra una descarga eléctrica.
6. **No exponga las herramientas eléctricas a la lluvia ni a condiciones húmedas.** La entrada de agua en una herramienta eléctrica aumentará el riesgo de que se produzca una descarga eléctrica.
7. **No jale el cable. Nunca utilice el cable para transportar, jalar o desconectar la herramienta eléctrica.** Mantenga el cable alejado del calor, aceite, objetos cortantes o piezas móviles. Los cables dañados o atrapados aumentan el riesgo de sufrir una descarga eléctrica.
8. **Cuando utilice una herramienta eléctrica en exteriores, utilice un cable de extensión apropiado para uso en exteriores.** La utilización de un cable apropiado para uso en exteriores reducirá el riesgo de que se produzca una descarga eléctrica.

9. **Si no es posible evitar usar una herramienta eléctrica en condiciones húmedas, utilice un alimentador protegido con interruptor de circuito de falla en tierra (ICFT).** El uso de un ICFT reduce el riesgo de descarga eléctrica.

#### **Seguridad personal**

10. **Manténgase alerta, preste atención a lo que está haciendo y utilice su sentido común cuando opere una herramienta eléctrica. No utilice la herramienta eléctrica cuando esté cansado o bajo la influencia de drogas, alcohol o medicamentos.** Un momento de distracción mientras opera la máquina puede dar como resultado heridas personales graves.
11. **Use equipo de protección personal. Póngase siempre protección para los ojos.** El equipo protector tal como máscara contra el polvo, zapatos de seguridad antiderrapantes, casco rígido y protección para oídos utilizado en las condiciones apropiadas reducirá las heridas personales.
12. **Impida el encendido accidental. Asegúrese de que el interruptor esté en la posición de apagado antes de conectar a la alimentación eléctrica y/o de colocar el cartucho de la batería, así como al levantar o cargar la herramienta.** Cargar las herramientas eléctricas con su dedo en el interruptor o enchufarlas con el interruptor encendido hace que los accidentes sean propensos.
13. **Retire cualquier llave de ajuste o llave de apriete antes de encender la herramienta.** Una llave de ajuste o llave de apriete que haya sido dejada puesta en una parte giratoria de la herramienta eléctrica podrá resultar en heridas personales.
14. **Utilice la herramienta donde no alcance. Mantenga los pies sobre suelo firme y el equilibrio en todo momento.** Esto permite un mejor control de la herramienta eléctrica en situaciones inesperadas.
15. **Use vestimenta apropiada. No use ropas sueltas ni joyas. Mantenga el cabello, la ropa y los guantes alejados de las piezas móviles.** Las prendas de vestir holgadas, las joyas y el cabello suelto podrían engancharse en estas piezas móviles.
16. **Si dispone de dispositivos para la conexión de equipos de extracción y recolección de polvo, asegúrese de conectarlos y utilizarlos debidamente.** La utilización de estos dispositivos reduce los riesgos relacionados con el polvo.

#### **Mantenimiento y uso de la herramienta eléctrica**

17. **No fuerce la herramienta eléctrica. Utilice la herramienta eléctrica correcta para su aplicación.** La herramienta eléctrica adecuada hará un trabajo mejor a la velocidad para la que ha sido fabricada.

18. **No utilice la herramienta eléctrica si el interruptor no la enciende y apaga.** Cualquier herramienta eléctrica que no pueda ser controlada con el interruptor es peligrosa y debe ser reemplazada.
19. **Desconecte la clavija de la fuente de energía y/o la batería de la herramienta eléctrica antes de realizar ajustes, cambiar accesorios o guardar las herramientas eléctricas.** Dichas medidas de seguridad preventivas reducen el riesgo de que la herramienta se inicie accidentalmente.
20. **Guarde la herramienta eléctrica que no use fuera del alcance de los niños y no permita que las personas que no están familiarizadas con ella o con las instrucciones la operen.** Las herramientas eléctricas son peligrosas en manos de personas que no saben operarlas.
21. **Realice el mantenimiento a las herramientas eléctricas. Compruebe que no haya partes móviles desalineadas o estancadas, piezas rotas y cualquier otra condición que pueda afectar al funcionamiento de la herramienta eléctrica. Si la herramienta eléctrica está dañada, haga que se la reparen antes de utilizarla.** Muchos accidentes son ocasionados por herramientas eléctricas con un mal mantenimiento.
22. **Mantenga las herramientas de corte limpias y filosas.** Si recibe un mantenimiento adecuado y tiene los bordes afilados, es probable que la herramienta se atasque menos y sea más fácil controlarla.
23. **Utilice la herramienta eléctrica, así como accesorios, piezas, brocas, etc. de acuerdo con estas instrucciones y de la manera establecida para cada tipo de unidad en particular; tenga en cuenta las condiciones laborales y el trabajo a realizar.** Si utiliza la herramienta eléctrica para realizar operaciones distintas de las indicadas, podrá presentarse una situación peligrosa.

#### **Uso y cuidado de la herramienta a batería**

24. **Realice la recarga sólo con el cargador especificado por el fabricante.** Un cargador que es adecuado para un solo tipo de batería puede generar riesgo de incendio al ser utilizado con otra batería.
25. **Utilice las herramientas eléctricas solamente con las baterías designadas específicamente para ellas.** La utilización de cualquier otra batería puede crear un riesgo de heridas o incendio.

26. Cuando no se esté usando el cartucho de la batería, manténgalo alejado de otros objetos metálicos, como sujetapapeles (clips), monedas, llaves, clavos, tornillos u otros objetos pequeños de metal los cuales pueden actuar creando una conexión entre las terminales de la batería. Cerrar el circuito las terminales de la batería puede causar quemaduras o incendios.
27. En condiciones abusivas, podrá escapar líquido de la batería; evite tocarlo. Si lo toca accidentalmente, enjuague con agua. Si hay contacto del líquido con los ojos, acuda por ayuda médica. Puede que el líquido expulsado de la batería cause irritación o quemaduras.

#### Servicio de mantenimiento

28. Haga que una persona calificada repare la herramienta utilizando sólo piezas de repuesto idénticas. Esto asegura que se mantenga la seguridad de la herramienta eléctrica.
29. Siga las instrucciones para la lubricación y cambio de accesorios.
30. Mantenga las agarraderas secas, limpias y sin aceite o grasa.

GEB049-2

## ADVERTENCIAS DE SEGURIDAD PARA EL USO DE LA LLAVE DE PERCUSIÓN A BATERÍA

1. Sujete la herramienta eléctrica por las superficies de agarre aisladas al realizar una operación en la que el sujetador pueda entrar en contacto con cables ocultos. Si el sujetador entra en contacto con un cable con corriente, las piezas metálicas expuestas de la herramienta eléctrica se cargarán también de corriente y el operario puede recibir una descarga.
2. Póngase protectores de oídos.
3. Compruebe con cuidado que ni la clavija ni el receptáculo estén agrietados ni dañados antes de la instalación.
4. Sostenga la herramienta con firmeza.
5. Asegúrese siempre de que pisa sobre suelo firme.
6. Asegúrese de que no haya nadie debajo cuando utilice la herramienta en lugares altos.
7. El par de apriete de torsión apropiado podrá variar en función del tipo o tamaño del perno. Compruebe el par de apriete con una llave de torsión.

## GUARDE ESTAS INSTRUCCIONES.


### ⚠ADVERTENCIA:

NO DEJE que la comodidad o familiaridad con el producto (a base de utilizarlo repetidamente) sustituya la estricta observancia de las normas de seguridad para dicho producto. El MAL USO o el no seguir las normas de seguridad establecidas en este manual de instrucciones puede ocasionar graves lesiones personales.

USD302-1

## Símbolos

A continuación se muestran los símbolos utilizados para la herramienta.

- |   |   |
|---|---|
| v   | · volts o voltios   |
| —   | · corriente directa o continua                                    |
| n <sub>o</sub>  | · velocidad en vacío o sin carga                                  |
| ... /min<br>r /min  | · revoluciones o alternaciones por minuto, frecuencia de rotación |
|  | · número de percusiones   |

ENC007-7

## INSTRUCCIONES IMPORTANTES DE SEGURIDAD

### PARA CARTUCHO DE BATERÍA

1. Antes de utilizar el cartucho de batería, lea todas las instrucciones e indicaciones de precaución sobre (1) el cargador de baterías, (2) la batería, y (3) el producto con el que se utiliza la batería.
2. No desarme el cartucho de batería.
3. Si el tiempo de operación se ha acortado en exceso, deje de operar de inmediato. Podría correrse el riesgo de sobrecalentamiento, posibles quemaduras e incluso explosión.
4. En caso de que ingresen electrolitos en sus ojos, enjuáguelos bien con agua limpia y consulte de inmediato a un médico. Podría perder la visión.
5. No cortocircuite el cartucho de batería:
  - (1) No toque las terminales con ningún material conductor.
  - (2) Evite guardar el cartucho de batería en un cajón junto con otros objetos metálicos, tales como clavos, monedas, etc.
  - (3) No exponga la batería de cartucho a la lluvia o nieve.

Un corto circuito en la batería puede causar un flujo grande de corriente, sobrecalentamiento, posibles quemaduras y aún descomposturas.



6. No guarde la herramienta ni el cartucho de batería en lugares donde la temperatura pueda alcanzar o exceder los 50 ° C (122 ° F).
7. Nunca incinere el cartucho de batería incluso en el caso de que esté dañado seriamente o ya no sirva en absoluto. El cartucho de batería puede explotar si se tira al fuego.
8. Tenga cuidado de no dejar caer ni golpear el cartucho de batería.
9. No use una batería dañada.

## GUARDE ESTAS INSTRUCCIONES.

### Consejos para alargar al máximo la vida útil de la batería

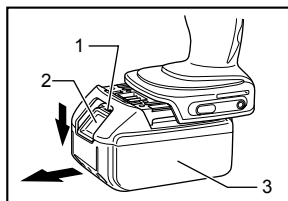
1. Cargue el cartucho de batería antes de que se descargue completamente. Pare siempre la operación y cargue el cartucho de batería cuando note menos potencia en la herramienta.
2. No cargue nunca un cartucho de batería que esté completamente cargado. La sobrecarga acortará la vida de servicio de la batería.
3. Cargue el cartucho de batería a temperatura ambiente de 10 ° C - 40 ° C (50 ° F - 104 ° F). Si un cartucho de batería está caliente, déjelo enfriar antes de cargarlo.
4. Recargue el cartucho de la batería una vez cada seis meses si no se va a usar por un periodo extenso.

## DESCRIPCIÓN DEL FUNCIONAMIENTO

### ⚠PRECAUCIÓN:

- Asegúrese siempre de que la herramienta esté apagada y el cartucho de batería extraído antes de realizar cualquier ajuste o comprobación en la herramienta.

### Instalación o desmontaje del cartucho de batería

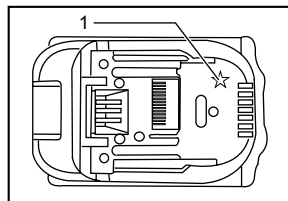


1. Indicador rojo
2. Botón
3. Cartucho de batería

012090

- Apague siempre la herramienta antes de colocar o quitar el cartucho de batería.
- Para quitar el cartucho de batería, deslícelo de la herramienta mientras desliza el botón sobre la parte delantera del cartucho.
- Para colocar el cartucho de batería, alinee la lengüeta sobre el cartucho de batería con la ranura en la carcasa y deslice en su lugar. Siempre inserte por completo hasta que se fije en su lugar con un pequeño clic. Si puede ver el indicador rojo del lado superior del botón, esto indica que no ha quedado fijo por completo. Coloque completamente hasta que el indicador rojo no pueda verse. Si no, podría accidentalmente salirse de la herramienta y caer al suelo causando una lesión a usted o alguien a su alrededor.
- No emplee fuerza al colocar el cartucho de batería. Si el cartucho no se desliza al interior fácilmente, será porque no se está insertando correctamente.

### Sistema de protección de batería (batería de ión de litio con marca de estrella)



1. Marca de estrella

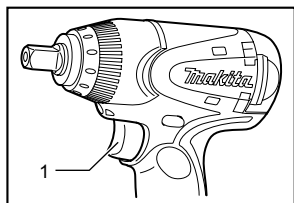
012128

Las baterías de ión de litio con una marca de estrella están equipadas con un sistema de protección. Este sistema corta en forma automática el suministro de energía a la herramienta para prolongar la vida útil de la batería.

La herramienta se detendrá automáticamente durante el funcionamiento si la herramienta y/o la batería se someten a una de las siguientes condiciones:

- **Sobrecarga:**  
La herramienta se está utilizando de una manera que causa que consuma una cantidad de corriente inusualmente alta. En este caso, libere el interruptor de gatillo en la herramienta y detenga la aplicación que causó que la herramienta se sobrecargara. Luego, vuelva a jalar el interruptor de gatillo para reanudar el funcionamiento. Si la herramienta no empieza a funcionar, significa que la batería se sobrecalentó. En este caso, espere que la batería se enfríe antes de volver a jalar el interruptor de gatillo.
- **Bajo voltaje de la batería:**  
La capacidad restante de la batería es demasiado baja y la herramienta no funcionará. En este caso, extraiga la batería y vuelva a cargarla.

### Accionamiento del interruptor



007452

1. Gatillo interruptor

#### ⚠PRECAUCIÓN:

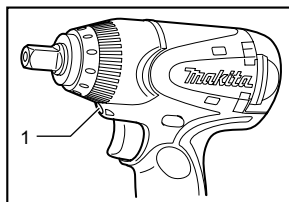
- Antes de insertar el cartucho de batería en la herramienta, compruebe siempre y cerciórese de que el gatillo interruptor se acciona debidamente y que vuelve a la posición "OFF"(apagado) cuando lo suelta.

Para poner en marcha la herramienta, simplemente apriete el gatillo interruptor. La velocidad de la herramienta aumenta incrementando la presión en el gatillo. Suelte el gatillo interruptor para parar.

### Freno eléctrico

Esta herramienta está equipada con un freno eléctrico. Si la herramienta dejase de parar enseguida repetidamente después de soltar el gatillo interruptor, pida a un centro de servicio Makita que le hagan el mantenimiento.

### Iluminación de la lámpara delantera



007462

1. Lámpara

#### ⚠PRECAUCIÓN:

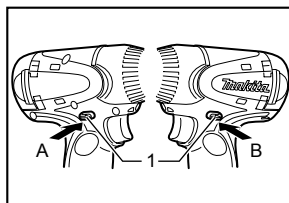
- No mire a la luz ni vea la fuente de luz directamente.

Apriete el gatillo interruptor para encender la lámpara. La lámpara seguirá encendida mientras el gatillo interruptor esté siendo apretado. La luz se apagará automáticamente 10 - 15 segundos después de soltar el gatillo interruptor.

#### NOTA:

- Utilice un paño seco para quitar la suciedad de la lente de la lámpara. Tenga cuidado de no rayar la lente de la lámpara, porque podrá disminuir la iluminación.

### Accionamiento del conmutador de inversión de giro



007453

1. Palanca del conmutador de inversión de giro

Esta herramienta tiene un conmutador de inversión para cambiar la dirección de giro. Presione hacia dentro la palanca del conmutador de inversión del lado A para giro hacia la derecha o del lado B para giro hacia la izquierda. Cuando la palanca del conmutador de inversión esté en la posición neutral, no se podrá apretar el gatillo interruptor.

#### ⚠PRECAUCIÓN:

- Confirme siempre la dirección de giro antes de la operación.
- Utilice el conmutador de inversión solamente después de que la herramienta haya parado completamente. Si cambia la dirección de giro antes de que la herramienta haya parado podrá dañarla.
- Cuando no esté utilizando la herramienta, ponga siempre la palanca del conmutador de inversión en la posición neutral.

## ENSAMBLE

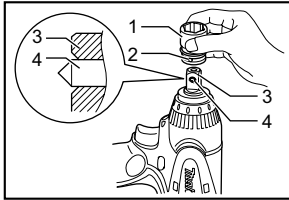
### ⚠PRECAUCIÓN:

- Asegúrese siempre de que la herramienta esté apagada y el cartucho de batería extraído antes de realizar cualquier trabajo en la misma.

### Selección del dado correcto

Utilice siempre el dado de tamaño correcto para pernos y tuercas. El utilizar un dado de tamaño incorrecto resultará en una torsión de apriete imprecisa e inconsistente y/o en daños al perno o a la tuerca.

### Instalación o extracción del dado



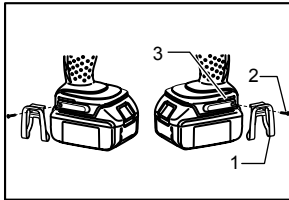
1. Dado
2. Orificio
3. Eje o yunque
4. Pasador de retención

007456

Alinee el orificio lateral del dado con el pasador de retención del yunque y presiónelo dentro del yunque de la herramienta hasta que se traben en su lugar. Golpéelo ligeramente si es necesario.

Para retirar el dado simplemente quítelo.

### Gancho



1. Gancho
2. Tornillo
3. Ranura

007521

El gancho resulta útil para colgar temporalmente la herramienta. Se puede instalar en cualquiera de los lados de la herramienta.

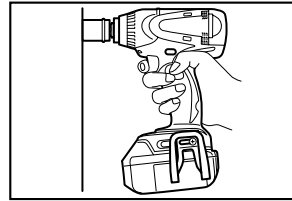
Para instalar el gancho, insértelo en una ranura del alojamiento de la herramienta de cualquiera de los lados y después sujételo con un tornillo. Para quitarlo, afloje el tornillo y después sáquelo.

## OPERACIÓN

### ⚠PRECAUCIÓN:

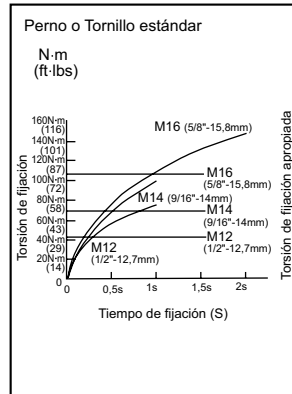
- Inserte siempre el cartucho de la batería a tope hasta que se bloquee en su sitio. Si puede ver la parte roja del lado superior del botón, no estará bloqueado completamente. Insértelo completamente hasta que no pueda verse la parte roja. En caso contrario, podrá caerse accidentalmente de la herramienta y ocasionarle heridas a usted o a alguien que se encuentre cerca de usted.

Sujete firmemente la herramienta y ponga el dado sobre el tornillo o la tuerca. Ponga en marcha la herramienta y apriete durante el tiempo de apriete apropiado.

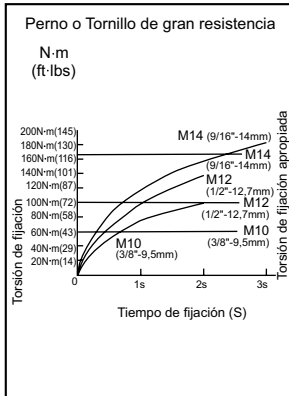


007461

El par de fuerza de apriete adecuado puede diferir dependiendo del tipo y tamaño del tornillo, el material de la pieza de trabajo que se va a apretar, etc. La relación entre el par de fuerza de apriete y el tiempo de apretar se muestra en las figuras.



007538



**NOTA:**

- Sujete la herramienta orientada en línea recta al tornillo o tuerca.
  - Una torsión de apriete excesiva puede dañar el perno/tuerca o el dado hexagonal. Antes de comenzar la tarea, realice siempre una operación de prueba para determinar el tiempo de apriete apropiado para el perno o la tuerca que quiere apretar.
  - Si se opera la herramienta de forma continua hasta que se agote la batería, permita unos 15 minutos de descanso de la herramienta antes de cambiar y continuar con un cartucho de batería recargado.
- La torsión de apriete se ve afectada por una amplia variedad de factores incluyendo los siguientes. Después del apriete, compruebe siempre la torsión de apriete con una llave de torsión.

1. Cuando el cartucho de batería esté casi completamente descargado, caerá la tensión y se reducirá la torsión de apriete.
2. Dado
  - Si no se utiliza un dado del tamaño correcto, la torsión de apriete se verá reducida.
  - Si se utiliza un dado desgastado (desgaste en el extremo hexagonal o en extremo cuadrangular), la torsión de apriete se verá reducida.
3. Perno o tornillo
  - Incluso si el coeficiente de torsión y la clase de tornillo son los mismos, la adecuada torsión de apriete variara en función del diámetro del tornillo.
  - Incluso si el diámetro del tornillo o perno es el mismo, la torsión de apriete correcta variará de acuerdo con el coeficiente de torsión, la clase y la longitud del perno o tornillo.

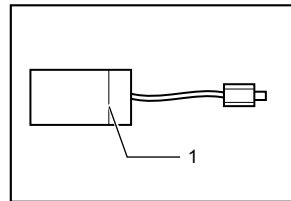
4. La utilización de una junta universal o de una barra de extensión reduce de alguna manera la fuerza de apriete de la llave de impacto. Compense esto alargando el tiempo de apriete.
5. La forma de sostener la herramienta o el material en la posición a apretar afectará a la torsión.
6. La operación de la herramienta a baja velocidad ocasionará una reducción de la torsión de apriete.

**MANTENIMIENTO**

**⚠PRECAUCIÓN:**

- Asegúrese siempre de que la herramienta esté apagada y el cartucho de batería extraído antes de intentar realizar una inspección o mantenimiento.
- Nunca use gasolina, bencina, diluyente (tíner), alcohol o sustancias similares. Puede que esto ocasione grietas o descoloramiento.

**Reemplazamiento de las escobillas de carbón**

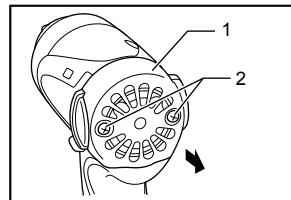


1. Marca límite

006258

Substitúyalas cuando se hayan gastado hasta la marca límite. Mantenga las escobillas de carbón limpias de forma que entren libremente en los portaescobillas. Ambas escobillas de carbón deberán ser sustituidas al mismo tiempo. Utilice únicamente escobillas de carbón originales e idénticas.

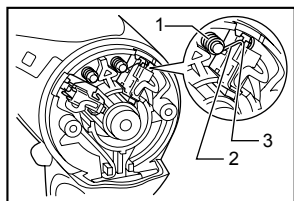
Utilice un destornillador para quitar los dos tornillos y después quite la cubierta posterior.



1. Cubierta trasera  
2. Tornillos

007458

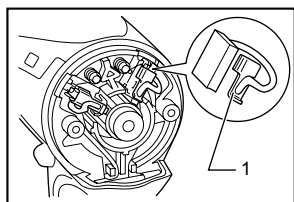
Levante la parte del brazo del resorte y después póngalo en la parte rebajada del alojamiento con un destornillador de punta plana de eje largo y fino o similar.



1. Resorte
2. Brazo
3. Parte rebajada

007459

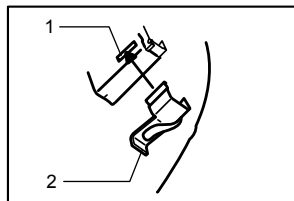
Utilice tenazas para quitar las tapas de las escobillas de carbón. Quite las escobillas de carbón gastadas, inserte las nuevas y reemplace las tapas de las escobillas de carbón a la inversa.



1. Tapa de la escobilla de carbón

007460

Asegúrese de que las tapas de las escobillas de carbón hayan encajado en forma segura en los orificios de los portaescobillas.



1. Orificio
2. Tapa de la escobilla de carbón

006304

Vuelva a instalar la cubierta posterior y apriete los dos tornillos firmemente.

Después de reemplazar las escobillas, inserte el cartucho de batería en la herramienta y hágale el rodaje a las escobillas haciendo funcionar la herramienta sin carga durante 1 minuto aproximadamente. Después compruebe la herramienta mientras está en marcha y la operación del freno eléctrico cuando suelte el gatillo interruptor. Si el freno eléctrico no funciona bien, pida a su centro de servicio Makita local que se lo repare.

Para mantener la SEGURIDAD y FIABILIDAD del producto, las reparaciones, y cualquier otra tarea de mantenimiento o ajuste deberán ser realizadas en Centros de Servicio Autorizados por Makita, empleando siempre repuestos Makita.

## ACCESORIOS OPCIONALES

### ⚠PRECAUCIÓN:

- Estos accesorios o aditamentos (incluidos o no) están recomendados para utilizar con su herramienta Makita especificada en este manual. El empleo de cualesquiera otros accesorios o acoplamientos conllevará un riesgo de sufrir heridas personales. Utilice los accesorios o acoplamientos solamente para su fin establecido.

Si necesita cualquier ayuda para más detalles en relación con estos accesorios, pregunte a su centro de servicio Makita local.

- Dados
- Barra de extensión
- Unión universal
- Adaptador de punta
- Diferentes tipos de baterías y cargadores genuinos de Makita

### NOTA:

- Algunos de los artículos en la lista puede que vengan junto con el paquete de la herramienta como accesorios incluidos. Puede que estos accesorios varíen de país a país.

---

## **GARANTÍA LIMITADA MAKITA DE UN AÑO**

### **Ésta Garantía no aplica para México**

#### **Política de garantía**

Cada herramienta Makita es inspeccionada y probada exhaustivamente antes de salir de fábrica. Se garantiza que va a estar libre de defectos de mano de obra y materiales por el periodo de UN AÑO a partir de la fecha de adquisición original. Si durante este periodo de un año se desarrollase algún problema, retorne la herramienta COMPLETA, porte pagado con antelación, a una de las fábricas o centros de servicio autorizados Makita. Si la inspección muestra que el problema ha sido causado por mano de obra o material defectuoso, Makita la reparará (o a nuestra opción, reemplazará) sin cobrar.

Esta garantía no será aplicable cuando:

- se hayan hecho o intentado hacer reparaciones por otros:
- se requieran reparaciones debido al desgaste normal:
- la herramienta haya sido abusada, mal usada o mantenido indebidamente:
- se hayan hecho alteraciones a la herramienta.

EN NINGÚN CASO MAKITA SE HARÁ RESPONSABLE DE NINGÚN DAÑO INDIRECTO, FORTUITO O CONSECUENCIAL DERIVADO DE LA VENTA O USO DEL PRODUCTO.

ESTA RENUNCIA SERÁ APLICABLE TANTO DURANTE COMO DESPUÉS DEL TÉRMINO DE ESTA GARANTÍA.

MAKITA RENUNCIA LA RESPONSABILIDAD POR CUALQUIER GARANTÍA IMPLÍCITA, INCLUYENDO GARANTÍAS IMPLÍCITAS DE "COMERCIALIDAD" E "IDONEIDAD PARA UN FIN ESPECÍFICO", DESPUÉS DEL TÉRMINO DE UN AÑO DE ESTA GARANTÍA.

Esta garantía le concede a usted derechos legales específicos, y usted podrá tener también otros derechos que varían de un estado a otro. Algunos estados no permiten la exclusión o limitación de daños fortuitos o consecuenciales, por lo que es posible que la antedicha limitación o exclusión no le sea de aplicación a usted. Algunos estados no permiten limitación sobre la duración de una garantía implícita, por lo que es posible que la antedicha limitación no le sea de aplicación a usted.

EN0006-1



< USA only >

# WARNING

Some dust created by power sanding, sawing, grinding, drilling, and other construction activities contains chemicals known to the State of California to cause cancer, birth defects or other reproductive harm. Some examples of these chemicals are:

- lead from lead-based paints,
- crystalline silica from bricks and cement and other masonry products, and
- arsenic and chromium from chemically-treated lumber.

Your risk from these exposures varies, depending on how often you do this type of work. To reduce your exposure to these chemicals: work in a well ventilated area, and work with approved safety equipment, such as those dust masks that are specially designed to filter out microscopic particles.

< Sólo en los Estados Unidos >

# ADVERTENCIA

Algunos polvos creados por el lijado, aserrado, esmerilado, taladrado y otras actividades de la construcción contienen sustancias químicas reconocidas por el Estado de California como causantes de cáncer, defectos de nacimiento y otros peligros de reproducción. Algunos ejemplos de estos productos químicos son:

- plomo de pinturas a base de plomo,
- sílice cristalino de ladrillos y cemento y otros productos de albañilería, y
- arsénico y cromo de maderas tratadas químicamente.

El riesgo al que se expone varía, dependiendo de la frecuencia con la que realice este tipo de trabajo. Para reducir la exposición a estos productos químicos: trabaje en un área bien ventilada y póngase el equipo de seguridad indicado, tal como las máscaras contra polvo que están especialmente diseñadas para filtrar partículas microscópicas.

**Makita Corporation**

3-11-8, Sumiyoshi-cho,  
Anjo, Aichi 446-8502 Japan

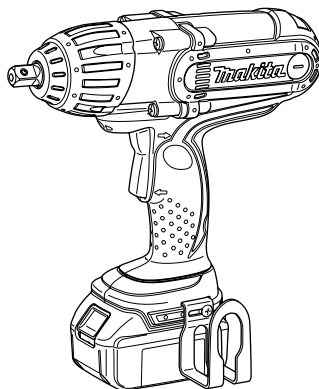


INSTRUCTION MANUAL  
MANUEL D'INSTRUCTION  
MANUAL DE INSTRUCCIONES



# Cordless Impact Wrench Boulonneuse sans Fil Llave de Impacto Inalámbrica

XWT04



008145

**IMPORTANT:** Read Before Using.  
**IMPORTANT:** Lire avant usage.  
**IMPORTANTE:** Leer antes de usar.

## ENGLISH (Original instructions)

# SPECIFICATIONS

Model		XWT04	
Capacities	Standard bolt	M12 - M22 (1/2" - 7/8")	
	High tensile bolt	M12 - M16 (1/2" - 5/8")	
Square drive		12.7 mm (1/2")	
No load speed (RPM)		1,600 /min	
Impacts per minute		2,200	
Max. fastening torque		440 N·m (3,900 in.lbs)	
Overall length		266 mm (10-1/2")	
Net weight		3.1 kg (6.8 lbs)	3.4 kg (7.5 lbs)
Rated voltage		D.C. 18 V	
Standard battery cartridge		BL1815N	BL1830 / BL1840

- Due to our continuing program of research and development, the specifications herein are subject to change without notice.
- Specifications and battery cartridge may differ from country to country.
- Weight, with battery cartridge, according to EPTA-Procedure 01/2003

### Intended use

The tool is intended for fastening bolts and nuts.

ENE036-1

GEA006-2

## General Power Tool Safety Warnings

**⚠ WARNING** Read all safety warnings and all instructions. Failure to follow the warnings and instructions may result in electric shock, fire and/or serious injury.

## Save all warnings and instructions for future reference.

The term "power tool" in the warnings refers to your mains-operated (corded) power tool or battery-operated (cordless) power tool.

### Work area safety

1. **Keep work area clean and well lit.** Cluttered or dark areas invite accidents.
2. **Do not operate power tools in explosive atmospheres, such as in the presence of flammable liquids, gases or dust.** Power tools create sparks which may ignite the dust or fumes.
3. **Keep children and bystanders away while operating a power tool.** Distractions can cause you to lose control.

### Electrical Safety

4. **Power tool plugs must match the outlet. Never modify the plug in any way. Do not use any adapter plugs with earthed (grounded) power tools.** Unmodified plugs and matching outlets will reduce risk of electric shock.
5. **Avoid body contact with earthed or grounded surfaces such as pipes, radiators, ranges and refrigerators.** There is an increased risk of electric shock if your body is earthed or grounded.

6. **Do not expose power tools to rain or wet conditions.** Water entering a power tool will increase the risk of electric shock.
7. **Do not abuse the cord. Never use the cord for carrying, pulling or unplugging the power tool. Keep cord away from heat, oil, sharp edges or moving parts.** Damaged or entangled cords increase the risk of electric shock.
8. **When operating a power tool outdoors, use an extension cord suitable for outdoor use.** Use of a cord suitable for outdoor use reduces the risk of electric shock.
9. **If operating a power tool in a damp location is unavoidable, use a ground fault circuit interrupter (GFCI) protected supply.** Use of an GFCI reduces the risk of electric shock.

### Personal Safety

10. **Stay alert, watch what you are doing and use common sense when operating a power tool. Do not use a power tool while you are tired or under the influence of drugs, alcohol or medication.** A moment of inattention while operating power tools may result in serious personal injury.
11. **Use personal protective equipment. Always wear eye protection.** Protective equipment such as dust mask, non-skid safety shoes, hard hat, or hearing protection used for appropriate conditions will reduce personal injuries.
12. **Prevent unintentional starting. Ensure the switch is in the off-position before connecting to power source and/or battery pack, picking up or carrying the tool.** Carrying power tools with your finger on the switch or energising power tools that have the switch on invites accidents.

13. **Remove any adjusting key or wrench before turning the power tool on.** A wrench or a key left attached to a rotating part of the power tool may result in personal injury.
14. **Do not overreach. Keep proper footing and balance at all times.** This enables better control of the power tool in unexpected situations.
15. **Dress properly. Do not wear loose clothing or jewellery. Keep your hair, clothing, and gloves away from moving parts.** Loose clothes, jewellery or long hair can be caught in moving parts.
16. **If devices are provided for the connection of dust extraction and collection facilities, ensure these are connected and properly used.** Use of dust collection can reduce dust-related hazards.

#### **Power tool use and care**

17. **Do not force the power tool. Use the correct power tool for your application.** The correct power tool will do the job better and safer at the rate for which it was designed.
18. **Do not use the power tool if the switch does not turn it on and off.** Any power tool that cannot be controlled with the switch is dangerous and must be repaired.
19. **Disconnect the plug from the power source and/or the battery pack from the power tool before making any adjustments, changing accessories, or storing power tools.** Such preventive safety measures reduce the risk of starting the power tool accidentally.
20. **Store idle power tools out of the reach of children and do not allow persons unfamiliar with the power tool and these instructions to operate the power tool.** Power tools are dangerous in the hands of untrained users.
21. **Maintain power tools. Check for misalignment or binding of moving parts, breakage of parts and any other condition that may affect the power tool's operation. If damaged, have the power tool repaired before use.** Many accidents are caused by poorly maintained power tools.
22. **Keep cutting tools sharp and clean.** Properly maintained cutting tools with sharp cutting edges are less likely to bind and are easier to control.
23. **Use the power tool, accessories and tool bits etc. in accordance with these instructions, taking into account the working conditions and the work to be performed.** Use of the power tool for operations different from those intended could result in a hazardous situation.

#### **Battery tool use and care**

24. **Recharge only with the charger specified by the manufacturer.** A charger that is suitable for one type of battery pack may create a risk of fire when used with another battery pack.
25. **Use power tools only with specifically designated battery packs.** Use of any other battery packs may create a risk of injury and fire.
26. **When battery pack is not in use, keep it away from other metal objects, like paper clips, coins, keys, nails, screws or other small metal objects, that can make a connection from one terminal to another.** Shorting the battery terminals together may cause burns or a fire.
27. **Under abusive conditions, liquid may be ejected from the battery; avoid contact. If contact accidentally occurs, flush with water. If liquid contacts eyes, additionally seek medical help.** Liquid ejected from the battery may cause irritation or burns.

#### **Service**

28. **Have your power tool serviced by a qualified repair person using only identical replacement parts.** This will ensure that the safety of the power tool is maintained.
29. **Follow instruction for lubricating and changing accessories.**
30. **Keep handles dry, clean and free from oil and grease.**

GEB049-2

## **CORDLESS IMPACT WRENCH SAFETY WARNINGS**

1. **Hold power tool by insulated gripping surfaces, when performing an operation where the fastener may contact hidden wiring.** Fasteners contacting a "live" wire may make exposed metal parts of the power tool "live" and could give the operator an electric shock.
2. **Wear ear protectors.**
3. **Check the socket carefully for wear, cracks or damage before installation.**
4. **Hold the tool firmly.**
5. **Always be sure you have a firm footing. Be sure no one is below when using the tool in high locations.**
6. **The proper fastening torque may differ depending upon the kind or size of the bolt. Check the torque with a torque wrench.**

## **SAVE THESE INSTRUCTIONS.**




## **⚠WARNING:**

**DO NOT** let comfort or familiarity with product (gained from repeated use) replace strict adherence to safety rules for the subject product. **MISUSE** or failure to follow the safety rules stated in this instruction manual may cause serious personal injury.

USD302-1

## **Symbols**

The followings show the symbols used for tool.

	· volts
	· direct current
$n_0$	· no load speed
$\dots / \text{min}$ $r / \text{min}$	· revolutions or reciprocation per minute
	· number of blow

ENC007-6

## **IMPORTANT SAFETY INSTRUCTIONS**

### **FOR BATTERY CARTRIDGE**

1. Before using battery cartridge, read all instructions and cautionary markings on (1) battery charger, (2) battery, and (3) product using battery.
2. Do not disassemble battery cartridge.
3. If operating time has become excessively shorter, stop operating immediately. It may result in a risk of overheating, possible burns and even an explosion.
4. If electrolyte gets into your eyes, rinse them out with clear water and seek medical attention right away. It may result in loss of your eyesight.
5. Do not short the battery cartridge:
  - (1) Do not touch the terminals with any conductive material.
  - (2) Avoid storing battery cartridge in a container with other metal objects such as nails, coins, etc.
  - (3) Do not expose battery cartridge to water or rain.

A battery short can cause a large current flow, overheating, possible burns and even a breakdown.

6. Do not store the tool and battery cartridge in locations where the temperature may reach or exceed 50 ° C (122 ° F).

7. Do not incinerate the battery cartridge even if it is severely damaged or is completely worn out. The battery cartridge can explode in a fire.
8. Be careful not to drop or strike battery.
9. Do not use a damaged battery.

## **SAVE THESE INSTRUCTIONS.**

### **Tips for maintaining maximum battery life**

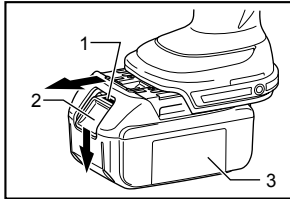
1. Charge the battery cartridge before completely discharged. Always stop tool operation and charge the battery cartridge when you notice less tool power.
2. Never recharge a fully charged battery cartridge. Overcharging shortens the battery service life.
3. Charge the battery cartridge with room temperature at 10 ° C - 40 ° C (50 ° F - 104 ° F). Let a hot battery cartridge cool down before charging it.

## FUNCTIONAL DESCRIPTION

### ⚠CAUTION:

- Always be sure that the tool is switched off and the battery cartridge is removed before adjusting or checking function on the tool.

### Installing or removing battery cartridge

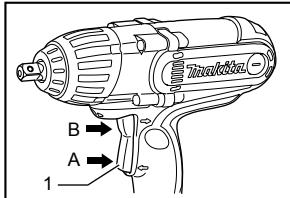


1. Red part
2. Button
3. Battery cartridge

008146

- Always switch off the tool before installation or removal of the battery cartridge.
- To remove the battery cartridge, withdraw it from the tool while sliding the button on the front of the cartridge.
- To insert the battery cartridge, align the tongue on the battery cartridge with the groove in the housing and slip it into place. Always insert it all the way until it locks in place with a little click. If you can see the red part on the upper side of the button, it is not locked completely. Insert it fully until the red part cannot be seen. If not, it may accidentally fall out of the tool, causing injury to you or someone around you.
- Do not use force when inserting the battery cartridge. If the cartridge does not slide in easily, it is not being inserted correctly.

### Switch action



1. Switch trigger

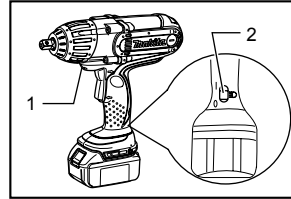
008147

### ⚠CAUTION:

- Before inserting the battery cartridge into the tool, always check to see that the switch trigger actuates properly and returns to the "OFF" position when released.
- Change the direction of rotation only when the tool comes to a complete stop. Changing it before the tool stops may damage the tool.

The switch is reversible, providing either clockwise or counterclockwise rotation. To start the tool, simply pull the lower part (A) of the switch trigger for clockwise or the upper part (B) for counterclockwise. Release the switch trigger to stop.

### Lighting up the front lamp



1. Lamp
2. Lamp switch

008407

### ⚠CAUTION:

- Do not look in the light or see the source of light directly.
- Push the upper position of the lamp switch for turning on the light and the lower position for off.

### NOTE:

- Use a dry cloth to wipe the dirt off the lens of lamp. Be careful not to scratch the lens of lamp, or it may lower the illumination.
- The light is provided with anti excessive discharge circuit. When the lamp does not light up even after the light switch is turned on, there is likely to be battery power drop. Try to charge the battery cartridge.
- Keep the lamp switch in "off" position while not in need of the light.

## ASSEMBLY

### ⚠CAUTION:

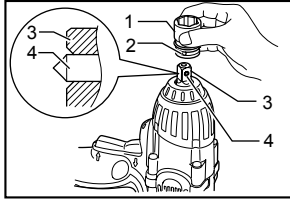
- Always be sure that the tool is switched off and the battery cartridge is removed before carrying out any work on the tool.

### Selecting correct socket

Always use the correct size socket for bolts and nuts. An incorrect size socket will result in inaccurate and inconsistent fastening torque and/or damage to the bolt or nut.

## Installing or removing socket

### For tool with light fit detent pin



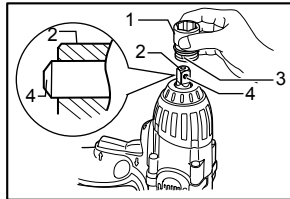
1. Socket
2. Hole
3. Anvil
4. Detent pin

008408

Align the hole in the side of the socket with the detent pin on the anvil and push it onto the anvil of the tool until it locks into place. Tap it lightly if required.

To remove the socket, simply pull it off.

### For tool with firm fit detent pin



1. Socket
2. Anvil
3. Hole
4. Detent pin

012052

To install the socket, align the hole in the side of the socket with the detent pin on the anvil.

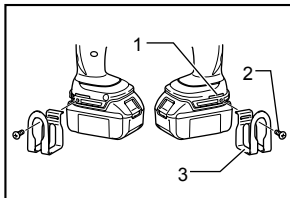
Push the socket onto the anvil until it snaps into place. Tap it lightly if required.

To remove the socket, depress the detent pin through the hole in the socket and pull the socket off the anvil.

## Hook

### ⚠ CAUTION:

After installing the hook, make sure that it is screwed firmly.



1. Groove
2. Screw
3. Hook

008150

The hook is convenient for temporarily hanging the tool. This can be installed on either side of the tool.

To install the hook, insert it into a groove in the tool housing on either side and then secure it with a screw.

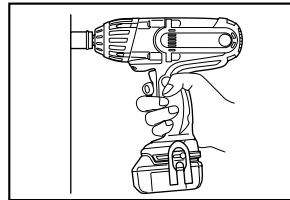
To remove, loosen the screw and then take it out.

## OPERATION

### ⚠ CAUTION:

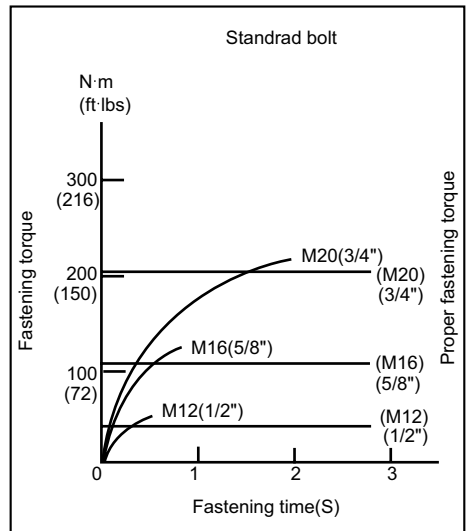
- Always insert the battery cartridge all the way until it locks in place. If you can see the red part on the upper side of the button, it is not locked completely. Insert it fully until the red part cannot be seen. If not, it may accidentally fall out of the tool, causing injury to you or someone around you.

Hold the tool firmly and place the socket over the bolt or nut. Turn the tool on and fasten for the proper fastening time.

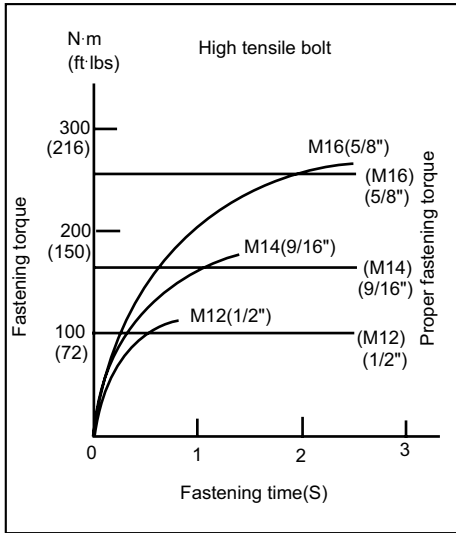


008151

The proper fastening torque may differ depending upon the kind or size of the bolt, the material of the workpiece to be fastened, etc. The relation between fastening torque and fastening time is shown in the figures.



008488



008469

#### NOTE:

- Hold the tool pointed straight at the bolt or nut.
- Excessive fastening torque may damage the bolt/nut or socket. Before starting your job, always perform a test operation to determine the proper fastening time for your bolt or nut.
- If the tool is operated continuously until the battery cartridge has discharged, allow the tool to rest for 15 minutes before proceeding with a fresh battery cartridge.

The fastening torque is affected by a wide variety of factors including the following. After fastening, always check the torque with a torque wrench.

1. When the battery cartridge is discharged almost completely, voltage will drop and the fastening torque will be reduced.
2. Socket
  - Failure to use the correct size socket will cause a reduction in the fastening torque.
  - A worn socket (wear on the hex end or square end) will cause a reduction in the fastening torque.
3. Bolt
  - Even though the torque coefficient and the class of bolt are the same, the proper fastening torque will differ according to the diameter of bolt.
  - Even though the diameters of bolts are the same, the proper fastening torque will differ according to the torque coefficient, the class of bolt and the bolt length.

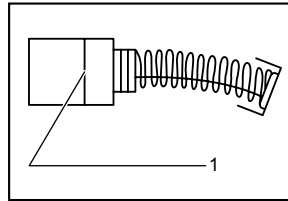
4. The use of the universal joint or the extension bar somewhat reduces the fastening force of the impact wrench. Compensate by fastening for a longer period of time.
5. The manner of holding the tool or the material of driving position to be fastened will affect the torque.
6. Operating the tool at low speed will cause a reduction in the fastening torque.

## MAINTENANCE

### ⚠CAUTION:

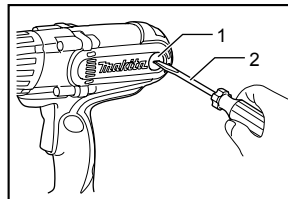
- Always be sure that the tool is switched off and the battery cartridge is removed before attempting to perform inspection or maintenance.
- Never use gasoline, benzine, thinner, alcohol or the like. Discoloration, deformation or cracks may result.

### Replacing carbon brushes



001145

Remove and check the carbon brushes regularly. Replace when they wear down to the limit mark. Keep the carbon brushes clean and free to slip in the holders. Both carbon brushes should be replaced at the same time. Use only identical carbon brushes. Use a screwdriver to remove the brush holder caps. Take out the worn carbon brushes, insert the new ones and secure the brush holder caps.



008152

To maintain product SAFETY and RELIABILITY, repairs, any other maintenance or adjustment should be performed by Makita Authorized or Factory Service Centers, always using Makita replacement parts.

---

## OPTIONAL ACCESSORIES

### CAUTION:

- These accessories or attachments are recommended for use with your Makita tool specified in this manual. The use of any other accessories or attachments might present a risk of injury to persons. Only use accessory or attachment for its stated purpose.

If you need any assistance for more details regarding these accessories, ask your local Makita Service Center.

- Sockets
- Extension bar
- Universal joint
- Bit adapter
- Makita genuine battery and charger

### NOTE:

- Some items in the list may be included in the tool package as standard accessories. They may differ from country to country.

## MAKITA LIMITED ONE YEAR WARRANTY

### Warranty Policy

Every Makita tool is thoroughly inspected and tested before leaving the factory. It is warranted to be free of defects from workmanship and materials for the period of ONE YEAR from the date of original purchase. Should any trouble develop during this one year period, return the COMPLETE tool, freight prepaid, to one of Makita's Factory or Authorized Service Centers. If inspection shows the trouble is caused by defective workmanship or material, Makita will repair (or at our option, replace) without charge.

This Warranty does not apply where:

- repairs have been made or attempted by others;
- repairs are required because of normal wear and tear;
- the tool has been abused, misused or improperly maintained;
- alterations have been made to the tool.

IN NO EVENT SHALL MAKITA BE LIABLE FOR ANY INDIRECT, INCIDENTAL OR CONSEQUENTIAL DAMAGES FROM THE SALE OR USE OF THE PRODUCT. THIS DISCLAIMER APPLIES BOTH DURING AND AFTER THE TERM OF THIS WARRANTY.

MAKITA DISCLAIMS LIABILITY FOR ANY IMPLIED WARRANTIES, INCLUDING IMPLIED WARRANTIES OF "MERCHANTABILITY" AND "FITNESS FOR A SPECIFIC PURPOSE," AFTER THE ONE YEAR TERM OF THIS WARRANTY.

This Warranty gives you specific legal rights, and you may also have other rights which vary from state to state. Some states do not allow the exclusion or limitation of incidental or consequential damages, so the above limitation or exclusion may not apply to you. Some states do not allow limitation on how long an implied warranty lasts, so the above limitation may not apply to you.

EN0006-1



## SPÉCIFICATIONS

Modèle		XWT04	
Capacités	Boulon standard	M12 - M22 (1/2" - 7/8")	
	Boulon à haute résistance	M12 - M16 (1/2" - 5/8")	
Tournevis carré		12,7 mm (1/2")	
Vitesse à vide (T/MIN)		1 600 /min	
Percussions par minute		2 200	
Couple de serrage max.		440 N·m (3 900 in.lbs)	
Longueur totale		266 mm (10-1/2")	
Poids net		3,1 kg (6,8 lbs)	3,4 kg (7,5 lbs)
Tension nominale		C.C. 18 V	
Batterie standard		BL1815N	BL1830 / BL1840

- Étant donné l'évolution constante de notre programme de recherche et de développement, les spécifications contenues dans ce manuel sont sujettes à modification sans préavis.
- Les caractéristiques techniques et la batterie peuvent varier suivant les pays.
- Poids, batterie comprise, conforme à la procédure EPTA de 01/2003

ENE036-1

### Utilisations

L'outil est conçu pour le serrage des boulons et des écrous.  
GEA006-2

## Consignes de sécurité générales pour outils électriques

**⚠ MISE EN GARDE** Veuillez lire toutes les mises en garde de sécurité et toutes les instructions. L'ignorance des mises en garde et des instructions comporte un risque de choc électrique, d'incendie et/ou de blessure grave.

## Conservez toutes les mises en garde et instructions pour référence future.

Le terme « outil électrique » qui figure dans les avertissements fait référence à un outil électrique branché sur une prise de courant (par un cordon d'alimentation) ou alimenté par batterie (sans fil).

### Sécurité de la zone de travail

1. **Maintenez la zone de travail propre et bien éclairée.** Les zones de travail encombrées ou sombres ouvrent grande la porte aux accidents.
2. **N'utilisez pas les outils électriques dans les atmosphères explosives, par exemple en présence de liquides, gaz ou poussières inflammables.** Les outils électriques produisent des étincelles au contact desquelles la poussière ou les vapeurs peuvent s'enflammer.
3. **Assurez-vous qu'aucun enfant ou curieux ne s'approche pendant que vous utilisez un outil électrique.** Vous risquez de perdre la maîtrise de l'outil si votre attention est détournée.

### Sécurité en matière d'électricité

4. **Les fiches d'outil électrique sont conçues pour s'adapter parfaitement aux prises de courant. Ne modifiez jamais la fiche de quelque façon que ce soit. N'utilisez aucun adaptateur de fiche sur les outils électriques avec mise à la terre.** En ne modifiant pas les fiches et en les insérant dans des prises de courant pour lesquelles elles ont été conçues vous réduirez les risques de choc électrique.
5. **Évitez tout contact corporel avec les surfaces mises à la terre, telles que les tuyaux, radiateurs, cuisinières et réfrigérateurs.** Le risque de choc électrique est plus élevé si votre corps se trouve mis à la terre.
6. **N'exposez pas les outils électriques à la pluie ou à l'eau.** La présence d'eau dans un outil électrique augmente le risque de choc électrique.
7. **Ne maltraitez pas le cordon. N'utilisez jamais le cordon pour transporter, tirer ou débrancher l'outil électrique.** Maintenez le cordon à l'écart des sources de chaleur, de l'huile, des objets à bords tranchants et des pièces en mouvement. Le risque de choc électrique est plus élevé lorsque les cordons sont endommagés ou enchevêtrés.
8. **Lorsque vous utilisez un outil électrique à l'extérieur, utilisez un cordon prolongateur prévu à cette fin.** Les risques de choc électrique sont moindres lorsqu'un cordon conçu pour l'extérieur est utilisé.
9. **Si vous devez utiliser un outil électrique dans un endroit humide, utilisez une source d'alimentation protégée par un disjoncteur de fuite à la terre.** L'utilisation d'un disjoncteur de fuite à la terre réduit le risque de choc électrique.

## Sécurité personnelle

10. **Restez alerte, attentif à vos mouvements et faites preuve de bon sens lorsque vous utilisez un outil électrique. Évitez d'utiliser un outil électrique si vous êtes fatigué ou si vous avez pris une drogue, de l'alcool ou un médicament.** Un moment d'inattention pendant l'utilisation d'un outil électrique peut entraîner une grave blessure.
11. **Portez des dispositifs de protection personnelle. Portez toujours un protecteur pour la vue.** Les risques de blessure seront moins élevés si vous utilisez des dispositifs de protection tels qu'un masque antipoussières, des chaussures à semelle antidérapante, une coiffure résistante ou une protection d'oreilles.
12. **Évitez les démarrages accidentels. Assurez-vous que l'interrupteur soit en position d'arrêt avant de brancher l'outil à la prise électrique et/ou au bloc-piles, avant de prendre ou de transporter l'outil.** Vous ouvrez la porte aux accidents si vous transportez les outils électriques avec le doigt sur l'interrupteur ou si vous les branchez alors que l'interrupteur est en position de marche.
13. **Retirez toute clé de réglage ou de serrage avant de mettre l'outil sous tension.** Toute clé laissée en place sur une pièce rotative de l'outil électrique peut entraîner une blessure.
14. **Maintenez une bonne position. Assurez-vous d'une bonne prise au sol et d'une bonne position d'équilibre en tout temps.** Cela vous permettra d'avoir une meilleure maîtrise de l'outil dans les situations imprévues.
15. **Portez des vêtements adéquats. Ne portez ni vêtements amples ni bijoux. Vous devez maintenir cheveux, vêtements et gants à l'écart des pièces en mouvement.** Les pièces en mouvement peuvent happer les vêtements amples, les bijoux et les cheveux longs.
16. **Si des accessoires sont fournis pour raccorder un appareil d'aspiration et de collecte de la poussière, assurez-vous qu'ils sont correctement raccordés et qu'ils sont utilisés de manière adéquate.** L'utilisation d'un appareil d'aspiration permet de réduire les risques liés à la présence de poussière dans l'air.

## Utilisation et entretien des outils électriques

17. **Ne forcez pas l'outil électrique. Utilisez l'outil électrique adéquat suivant le type de travail à effectuer.** Si vous utilisez l'outil électrique adéquat et respectez le régime pour lequel il a été conçu, il effectuera un travail de meilleure qualité et de façon plus sécuritaire.
18. **N'utilisez pas l'outil électrique s'il n'est pas possible de mettre sa gâchette en position de marche et d'arrêt.** Un outil électrique dont l'interrupteur est défectueux représente un danger et doit être réparé.
19. **Débranchez la fiche de la source d'alimentation et/ou retirez le bloc-piles de l'outil électrique avant d'effectuer tout réglage, de changer un accessoire ou de ranger l'outil électrique.** De telles mesures préventives réduisent les risques de démarrage accidentel de l'outil électrique.
20. **Après l'utilisation d'un outil électrique, rangez-le hors de portée des enfants et ne laissez aucune personne l'utiliser si elle n'est pas familiarisée avec l'outil électrique ou les présentes instructions d'utilisation.** Les outils électriques représentent un danger entre les mains de personnes qui n'en connaissent pas le mode d'utilisation.
21. **Veillez à l'entretien des outils électriques. Assurez-vous que les pièces mobiles ne sont pas désalignées ou coincées, qu'aucune pièce n'est cassée et que l'outil électrique n'a subi aucun dommage affectant son bon fonctionnement. Le cas échéant, faites réparer l'outil électrique avant de l'utiliser.** De nombreux accidents sont causés par des outils électriques mal entretenus.
22. **Maintenez les outils tranchants bien aiguisés et propres.** Un outil tranchant dont l'entretien est effectué correctement et dont les bords sont bien aiguisés risquera moins de se coincer et sera plus facile à maîtriser.
23. **Utilisez l'outil électrique, ses accessoires, ses embouts, etc., en respectant les présentes instructions, en tenant compte des conditions de travail et du type de travail à effectuer.** L'utilisation d'un outil électrique à des fins autres que celles prévues peut entraîner une situation dangereuse.

## Utilisation et entretien des outils alimentés par batterie

24. **Pour recharger, utilisez uniquement le chargeur spécifié par le fabricant.** L'utilisation d'un chargeur conçu pour un type donné de bloc-piles comporte un risque d'incendie lorsqu'il est utilisé avec un autre type de bloc-piles.
25. **N'utilisez un outil électrique qu'avec le bloc-piles conçu spécifiquement pour cet outil.** Il y a un risque de blessure ou d'incendie si un autre bloc-piles est utilisé.
26. **Lorsque vous n'utilisez pas le bloc-piles, rangez-le à l'écart des objets métalliques tels que trombones, pièces de monnaie, clés, clous, vis ou autres petits objets métalliques qui risquent d'établir une connexion entre les bornes.** La mise en court-circuit des bornes de batterie peut causer des brûlures ou un incendie.

27. **Dans des conditions d'utilisation inadéquates de la batterie, il peut y avoir fuite d'électrolyte; évitez tout contact avec ce liquide. En cas de contact accidentel, rincez avec beaucoup d'eau. Si le liquide pénètre dans vos yeux, il faut aussi consulter un médecin. L'électrolyte qui s'échappe de la batterie peut causer des irritations ou des brûlures.**

#### Réparation

28. **Faites réparer votre outil électrique par un réparateur qualifié qui utilise des pièces de rechange identiques aux pièces d'origine.** Le maintien de la sûreté de l'outil électrique sera ainsi assuré.
29. **Suivez les instructions de lubrification et de changement des accessoires.**
30. **Maintenez les poignées de l'outil sèches, propres et exemptes d'huile ou de graisse.**

GEB049-2

## CONSIGNES DE SÉCURITÉ POUR LA BOULONNEUSE SANS FIL

- Tenez l'outil par ses surfaces de prise isolées pendant toute opération où l'accessoire de fixation pourrait venir en contact avec un câblage dissimulé.** En cas de contact avec un conducteur sous tension, les pièces métalliques à découvert de l'outil pourraient devenir sous tension et risqueraient de transmettre une décharge électrique à l'utilisateur.
- Portez une protection d'oreilles.**
- Avant installation, vérifiez soigneusement que la douille ne porte ni marque d'usure, ni fissures ou tout autre dommage.**
- Tenez l'outil fermement.**
- Adoptez toujours une position de travail vous assurant d'un bon équilibre.**  
Assurez-vous qu'il n'y a personne plus bas lorsque vous utilisez l'outil en position élevée.
- Le couple de serrage correct peut varier selon le type ou la taille du boulon. Vérifiez-le à l'aide d'une clé dynamométrique.**




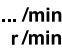

## CONSERVEZ CE MODE D'EMPLOI.

### AVERTISSEMENT:

**NE VOUS LAISSEZ PAS tromper** (au fil d'une utilisation répétée) par un sentiment d'aisance ou de familiarité avec le produit en négligeant les consignes de sécurité qui accompagnent le produit. L'utilisation non sécuritaire ou incorrecte de cet outil comporte un risque de blessure grave.

## Symboles

Les symboles utilisés pour l'outil sont indiqués ci-dessous.

-  · volts
-  · courant continu
-  · vitesse à vide
-  · tours ou alternances par minute
-  · nombre de frappes

ENC007-6

## CONSIGNES DE SÉCURITÉ IMPORTANTES

### POUR LA BATTERIE

- Avant d'utiliser la batterie, lisez toutes les instructions et précautions relatives (1) au chargeur de batterie, (2) à la batterie, et (3) à l'outil utilisant la batterie.**
- Ne démontez pas la batterie.**
- Cessez immédiatement l'utilisation si le temps de fonctionnement devient excessivement court. Il y a risque de surchauffe, de brûlures, voire d'explosion.**
- Si l'électrolyte pénètre dans vos yeux, rincez-les à l'eau claire et consultez immédiatement un médecin. Il y a risque de perte de la vue.**
- Ne court-circuitez pas la batterie :**
  - Ne touchez les bornes avec aucun matériau conducteur.**
  - Évitez de ranger la batterie dans un conteneur avec d'autres objets métalliques, par exemple des clous, des pièces de monnaie, etc.**
  - Évitez d'exposer la batterie à l'eau ou à la pluie.**

Un court-circuit de la batterie pourrait provoquer un fort courant, une surchauffe, parfois des brûlures et même une panne.
- Ne rangez pas l'outil ou la batterie dans des endroits où la température risque d'atteindre ou de dépasser 50 ° C (122 ° F).**
- Ne jetez pas la batterie au feu même si elle est sérieusement endommagée ou complètement épuisée. La batterie peut exploser au contact du feu.**
- Prenez garde d'échapper ou de heurter la batterie.**

9. N'utilisez pas une batterie si elle est endommagée.

## CONSERVEZ CE MODE D'EMPLOI.

### Conseils pour obtenir la durée de service maximale de la batterie

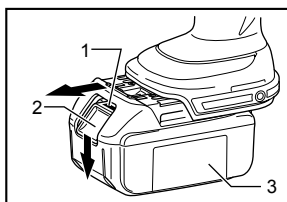
1. Rechargez la batterie avant qu'elle ne soit complètement déchargée.  
Arrêtez toujours l'outil et rechargez la batterie quand vous remarquez que la puissance de l'outil diminue.
2. Ne rechargez jamais une batterie complètement chargée.  
La surcharge réduit la durée de service de la batterie.
3. Rechargez la batterie à une température ambiante comprise entre 10 ° C et 40 ° C (50 ° F - 104 ° F). Si la batterie est chaude, laissez-la refroidir avant de la recharger.

## DESCRIPTION DU FONCTIONNEMENT

### ⚠ATTENTION:

- Assurez-vous toujours que l'outil est hors tension et que sa batterie est retirée avant de l'ajuster ou de vérifier son fonctionnement.

### Installation ou retrait de la batterie

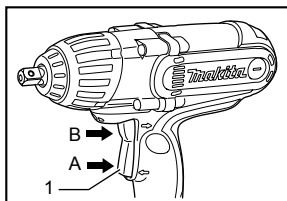


1. Partie rouge
2. Bouton
3. Batterie

008146

- Mettez toujours l'outil hors tension avant d'insérer ou de retirer la batterie.
- Pour retirer la batterie, sortez-la de l'outil tout en faisant glisser le bouton à l'avant de la batterie.
- Pour insérer la batterie, alignez sa languette sur l'entaille qui se trouve à l'intérieur du carter, puis glissez la batterie pour la mettre en place. Insérez-la toujours bien à fond, jusqu'à ce qu'elle se verrouille en émettant un léger clic. Si vous pouvez voir la partie rouge de la face supérieure du bouton, la batterie n'est pas parfaitement verrouillée. Insérez-la à fond, jusqu'à ce que la partie rouge ne soit plus visible. Sinon, elle risque de tomber accidentellement de l'outil, en vous blessant ou en blessant une personne se trouvant près de vous.
- N'appliquez pas une force excessive lors de l'insertion de la batterie. Si la batterie ne glisse pas aisément, c'est qu'elle n'est pas insérée correctement.

### Interrupteur



1. Gâchette

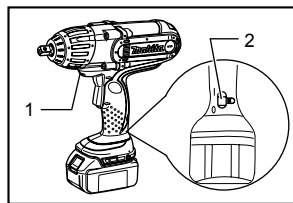
008147

### ⚠ ATTENTION:

- Avant d'insérer la batterie dans l'outil, vérifiez toujours que la gâchette fonctionne bien et revient en position d'arrêt lorsque relâchée.
- Attendez que l'outil soit complètement arrêté avant de changer le sens de rotation. Vous risquez d'endommager l'outil si vous changez le sens de rotation avant que l'outil ne soit complètement arrêté.

La gâchette est réversible, permettant ainsi de faire tourner l'outil dans le sens des aiguilles d'une montre ou en sens inverse. Pour démarrer l'outil, appuyez simplement sur la partie inférieure de la gâchette si vous désirez une rotation dans le sens des aiguilles d'une montre, ou la partie supérieure pour une rotation en sens inverse. Relâchez la gâchette pour arrêter.

### Allumage de la lampe avant



008407

1. Lampe
2. Interrupteur de lampe

### ⚠ ATTENTION:

- Evitez de regarder directement le faisceau lumineux ou sa source.

Appuyez sur la position supérieure de l'interrupteur de la lampe pour l'allumer, et sur la position inférieure pour l'éteindre.

### NOTE:

- Utilisez un chiffon sec pour essuyer la saleté qui recouvre la lentille de la lampe. Prenez garde de rayer la lentille de la lampe, pour éviter une diminution de l'éclairage.
- La lame est équipée d'un circuit de protection contre la décharge excessive. Si la lampe ne s'allume pas même si vous activez son interrupteur, la batterie est probablement trop faible. Chargez alors la batterie.
- Lorsque vous n'avez pas besoin de la lampe, laissez son interrupteur en position d'arrêt.

## ASSEMBLAGE

### ⚠ ATTENTION:

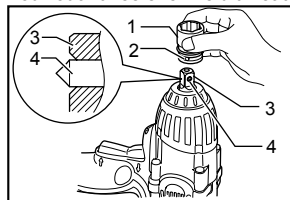
- Assurez-vous toujours que l'outil est hors tension et que sa batterie est retirée avant d'effectuer tout travail dessus.

### Sélection de la douille

Pour certains modèles il existe différents types de douilles ou embouts, suivant le travail à effectuer. Veuillez choisir et installer une douille ou un embout qui convient au travail à effectuer.

### Installation et retrait de la douille

#### Pour outil avec cheville d'arrêt à ajustement léger

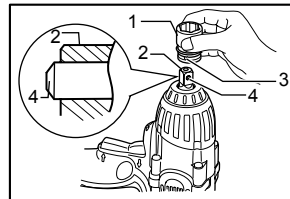


008408

1. Douille
2. Orifice
3. Enclume
4. Broche de détente

Alignez l'orifice qui se trouve du côté de la douille sur la cheville d'arrêt du pignon et appuyez-la contre le pignon de l'outil jusqu'à ce qu'elle se mette en place en émettant un bruit sec. Si nécessaire, frappez légèrement dessus. Pour retirer la douille, tirez simplement dessus.

#### Pour outil avec cheville d'arrêt à ajustement ferme



012052

1. Douille
2. Enclume
3. Orifice
4. Broche de détente

Pour installer la douille, alignez l'orifice sur le côté de la douille avec la cheville d'arrêt du pignon.

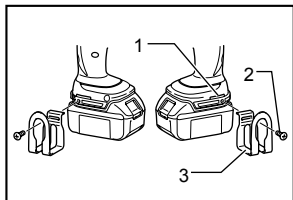
Appuyez-la contre le pignon de l'outil jusqu'à ce qu'elle se mette en place en émettant un bruit sec. Si nécessaire, frappez légèrement dessus.

Pour retirer la douille, appuyez sur la cheville d'arrêt par l'orifice de la douille, puis tirez sur la douille pour l'extraire du pignon.

### Crochet

### ⚠ ATTENTION:

Après avoir installé le crochet, assurez-vous qu'il est fermement vissé.



1. Rainure
2. Vis
3. Crochet

008150

L'outil est équipé d'un crochet pratique qui permet de le suspendre temporairement. Il s'installe d'un côté comme de l'autre de l'outil.

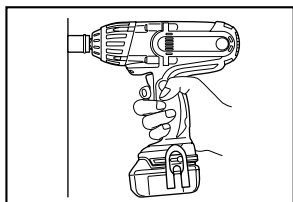
Pour installer le crochet, insérez-le dans les rainures situées de chaque côté du carter de l'outil, puis serrez-le avec une vis. Pour le retirer, desserrez la vis et enlevez-la.

## UTILISATION

### ⚠ ATTENTION:

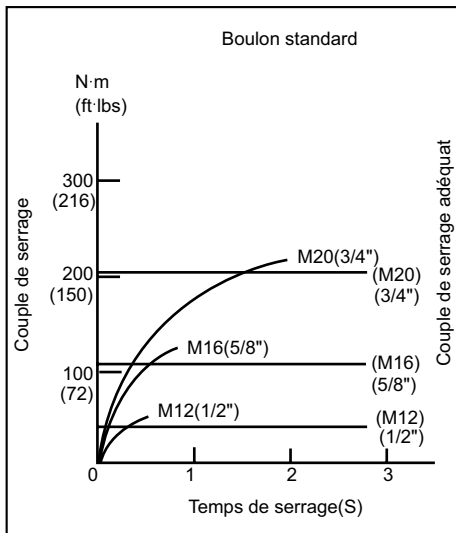
- Insérez toujours la batterie jusqu'au fond, jusqu'à ce qu'elle verrouille en place. Si vous pouvez voir la partie rouge de la face supérieure du bouton, la batterie n'est pas parfaitement verrouillée. Insérez-la à fond, jusqu'à ce que la partie rouge ne soit plus visible. Sinon, elle risque de tomber accidentellement de l'outil, en vous blessant ou en blessant une personne se trouvant près de vous.

Saisissez fermement l'outil et placez la douille sur le boulon ou l'écrou. Mettez l'outil en marche et procédez au serrage, en appliquant le temps de serrage adéquat.

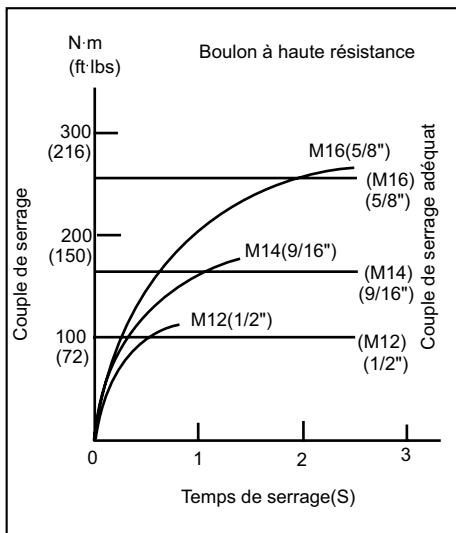


008151

Le couple de serrage adéquat peut varier suivant la sorte ou taille de boulon, suivant le matériau dont se compose la pièce faisant l'objet du serrage, etc. La relation entre le couple de serrage et le temps de serrage est indiquée dans les figures.



008485



008489

### NOTE:

- Tenez votre outil bien droit sur le boulon ou l'écrou.
- Un couple de serrage excessif risque d'endommager le boulon/l'écrou ou la douille. Avant de commencer le travail, effectuez toujours un essai pour vérifier que le temps de serrage convient pour le boulon ou l'écrou en question.

- Si vous utilisez l'outil en continu jusqu'à ce que la batterie soit à plat, attendez 15 minutes avant d'insérer une autre batterie.

Le couple de serrage dépend d'un certain nombre de facteurs, comme suit. Une fois le serrage terminé, vérifiez toujours le couple avec une clé dynamométrique.

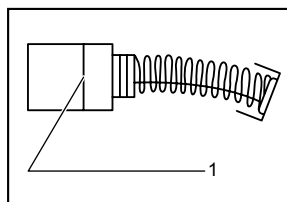
1. Lorsque la batterie est presque complètement déchargée, la tension tombe et le couple de serrage diminue.
2. Douille
  - L'utilisation d'une douille de mauvaise dimension entraînera une réduction du couple de serrage.
  - Une douille usée (usure sur l'extrémité hexagonale ou l'extrémité carrée) entraînera une réduction du couple de serrage.
3. Boulon
  - Même si le coefficient du couple et la catégorie du boulon sont les mêmes, le couple de serrage variera en fonction du diamètre de boulon.
  - Même si les diamètres des boulons sont les mêmes, le couple de serrage variera en fonction du coefficient de couple, de la catégorie du boulon et de la longueur du boulon.
4. L'utilisation d'un joint universel ou d'une barre de rallonge réduit quelque peu la force de serrage de la boulonneuse. Compenser en serrant plus longtemps.
5. Le couple de serrage est affecté par la façon dont vous tenez l'outil ou la pièce, ou par la position de vissage.
6. Le fonctionnement de l'outil à vitesse réduite entraîne une diminution du couple de serrage.

## ENTRETIEN

### ⚠ ATTENTION:

- Assurez-vous toujours que l'outil est hors tension et que la batterie est retirée avant d'y effectuer tout travail d'inspection ou d'entretien.
- N'utilisez jamais d'essence, de benzine, de solvant, d'alcool ou d'autres produits similaires. Une décoloration, une déformation, ou la formation de fissures peuvent en découler.

## Remplacement des charbons

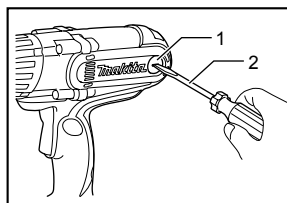


1. Trait de limite d'usure

001145

Retirez et vérifiez régulièrement les charbons. Remplacez-les lorsqu'ils sont usés jusqu'au trait de limite d'usure. Maintenez les charbons propres et en état de glisser aisément dans les porte-charbon. Les deux charbons doivent être remplacés en même temps. N'utilisez que des charbons identiques.

Utilisez un tournevis pour retirer les bouchons de porte-charbon. Enlevez les charbons usés, insérez-en de nouveaux et revissez solidement les bouchons de porte-charbon.



1. Bouchon de porte-charbon
2. Tournevis

008152

Pour maintenir la SÉCURITÉ et la FIABILITÉ du produit, les réparations, tout autre travail d'entretien ou de réglage doivent être effectués dans un centre de service Makita agréé ou un centre de service de l'usine Makita, exclusivement avec des pièces de rechange Makita.

## ACCESSOIRES EN OPTION

### ATTENTION:

- Ces accessoires ou pièces complémentaires sont recommandés pour l'utilisation avec l'outil Makita spécifié dans ce mode d'emploi. L'utilisation de tout autre accessoire ou pièce complémentaire peut comporter un risque de blessure. N'utilisez les accessoires ou pièces qu'aux fins auxquelles ils ont été conçus.

Si vous désirez obtenir plus de détails concernant ces accessoires, veuillez contacter le centre de service après-vente Makita le plus près.

- Douilles
- Barre de rallonge
- Joint universel
- Adaptateur à embout
- Chargeur et batterie authentiques Makita

### NOTE:

- Certains éléments de la liste peuvent être inclus avec l'outil comme accessoires standard. Ils peuvent varier suivant les pays.

## GARANTIE LIMITÉE D'UN AN MAKITA

### Politique de garantie

Chaque outil Makita est inspecté rigoureusement et testé avant sa sortie d'usine. Nous garantissons qu'il sera exempt de défaut de fabrication et de vice de matériau pour une période d'UN AN à partir de la date de son achat initial. Si un problème quelconque devait survenir au cours de cette période d'un an, veuillez retourner l'outil COMPLET, port payé, à une usine ou à un centre de service après-vente Makita. Makita réparera l'outil gratuitement (ou le remplacera, à sa discrétion) si un défaut de fabrication ou un vice de matériau est découvert lors de l'inspection.

Cette garantie ne s'applique pas dans les cas où:

- des réparations ont été effectuées ou tentées par un tiers;
- des réparations s'imposent suite à une usure normale;
- l'outil a été malmené, mal utilisé ou mal entretenu;
- l'outil a subi des modifications.

MAKITA DÉCLINE TOUTE RESPONSABILITÉ POUR TOUT DOMMAGE ACCESSOIRE OU INDIRECT LIÉ À LA VENTE OU À L'UTILISATION DU PRODUIT. CET AVIS DE NON-RESPONSABILITÉ S'APPLIQUE À LA FOIS PENDANT ET APRÈS LA PÉRIODE COUVERTE PAR CETTE GARANTIE.

MAKITA DÉCLINE TOUTE RESPONSABILITÉ QUANT À TOUTE GARANTIE TACITE, INCLUANT LES GARANTIES TACITES DE "QUALITÉ MARCHANDE" ET "ADÉQUATION À UN USAGE PARTICULIER" APRÈS LA PÉRIODE D'UN AN COUVERTE PAR CETTE GARANTIE.

Cette garantie vous donne des droits spécifiques reconnus par la loi, et possiblement d'autres droits, qui varient d'un État à l'autre. Certains États ne permettant pas l'exclusion ou la limitation des dommages accessoires ou indirects, il se peut que la limitation ou exclusion ci-dessus ne s'applique pas à vous. Certains États ne permettant pas la limitation de la durée d'application d'une garantie tacite, il se peut que la limitation ci-dessus ne s'applique pas à vous.

EN0006-1



## ESPECIFICACIONES

Modelo		XWT04	
Capacidades	Tornillo estándar	M12 (1/2" - 12,7 mm) - M22 (7/8" - 22 mm)	
	Tornillo de alta tracción	M12 (1/2" - 12,7 mm) - M16 (5/8" - 15,8 mm)	
Adaptador cuadrado		12,7 mm (1/2")	
Velocidad sin carga (r.p.m.)		1 600 r/min	
Impactos por minuto		2 200	
Torsión de fijación máxima		440 N·m (3 900 in.lbs)	
Longitud total		266 mm (10-1/2")	
Peso neto		3,1 kg (6,8 lbs)	3,4 kg (7,5 lbs)
Tensión nominal		18 V c.c.	
Cartucho de batería estándar		BL1815N	BL1830 / BL1840

• Debido a nuestro programa continuo de investigación y desarrollo, las especificaciones aquí dadas están sujetas a cambios sin previo aviso.

• Las especificaciones y el cartucho de la batería pueden variar de país a país.

• Peso de acuerdo al procedimiento de EPTA-01/2003 incluyendo el cartucho de la batería

ENE036-1

### Uso destinado

La herramienta está diseñada para el ajuste de pernos y tuercas.

GEA006-2

## Advertencias de seguridad generales para herramientas eléctricas

**⚠ ADVERTENCIA:** lea todas las advertencias de seguridad e instrucciones. Si no sigue todas las advertencias e instrucciones indicadas a continuación, podrá ocasionar una descarga eléctrica, un incendio y/o lesiones graves.

## Guarde todas las advertencias e instrucciones para su futura referencia.

El término "herramienta eléctrica" se refiere, en todas las advertencias que aparecen a continuación, a su herramienta eléctrica de funcionamiento con conexión a la red eléctrica (con cableado eléctrico) o herramienta eléctrica de funcionamiento a batería (inalámbrica).

### Seguridad en el área de trabajo

1. **Mantenga el área de trabajo limpia y bien iluminada.** Las áreas oscuras o desordenadas son propensas a accidentes.
2. **No utilice las herramientas eléctricas en atmósferas explosivas, tal como en la presencia de líquidos, gases o polvo inflamables.** Las herramientas eléctricas crean chispas que pueden prender fuego al polvo o los humos.

3. **Mantenga a los niños y curiosos alejados mientras utiliza una herramienta eléctrica.** Las distracciones le pueden hacer perder el control.

### Seguridad eléctrica

4. **Las clavijas de conexión de las herramientas eléctricas deberán encajar perfectamente en la toma de corriente. No modifique nunca la clavija de conexión de ninguna forma. No utilice ninguna clavija adaptadora con herramientas eléctricas que tengan conexión a tierra (puesta a tierra).** La utilización de clavijas no modificadas y que encajen perfectamente en la toma de corriente reducirá el riesgo de que se produzca una descarga eléctrica.
5. **Evite tocar con el cuerpo superficies conectadas a tierra o puestas a tierra tales como tubos, radiadores, cocinas y refrigeradores.** Si su cuerpo es puesto a tierra o conectado a tierra existirá un mayor riesgo de que sufra una descarga eléctrica.
6. **No exponga las herramientas eléctricas a la lluvia ni a condiciones húmedas.** La entrada de agua en una herramienta eléctrica aumentará el riesgo de que se produzca una descarga eléctrica.
7. **No jale el cable. Nunca utilice el cable para transportar, jalar o desconectar la herramienta eléctrica. Mantenga el cable alejado del calor, aceite, objetos cortantes o piezas móviles.** Los cables dañados o atrapados aumentan el riesgo de sufrir una descarga eléctrica.
8. **Cuando utilice una herramienta eléctrica en exteriores, utilice un cable de extensión apropiado para uso en exteriores.** La utilización de un cable apropiado para uso en exteriores reducirá el riesgo de que se produzca una descarga eléctrica.

9. **Si no es posible evitar usar una herramienta eléctrica en condiciones húmedas, utilice un alimentador protegido con interruptor de circuito de falla en tierra (ICFT).** El uso de un ICFT reduce el riesgo de descarga eléctrica.

#### **Seguridad personal**

10. **Manténgase alerta, preste atención a lo que está haciendo y utilice su sentido común cuando opere una herramienta eléctrica. No utilice la herramienta eléctrica cuando esté cansado o bajo la influencia de drogas, alcohol o medicamentos.** Un momento de distracción mientras opera la máquina puede dar como resultado heridas personales graves.
11. **Use equipo de protección personal. Póngase siempre protección para los ojos.** El equipo protector tal como máscara contra el polvo, zapatos de seguridad antiderrapantes, casco rígido y protección para oídos utilizado en las condiciones apropiadas reducirá las heridas personales.
12. **Impida el encendido accidental. Asegúrese de que el interruptor esté en la posición de apagado antes de conectar a la alimentación eléctrica y/o de colocar el cartucho de la batería, así como al levantar o cargar la herramienta.** Cargar las herramientas eléctricas con su dedo en el interruptor o enchufarlas con el interruptor encendido hace que los accidentes sean propensos.
13. **Retire cualquier llave de ajuste o llave de apriete antes de encender la herramienta.** Una llave de ajuste o llave de apriete que haya sido dejada puesta en una parte giratoria de la herramienta eléctrica podrá resultar en heridas personales.
14. **No utilice la herramienta donde no alcance. Mantenga los pies sobre suelo firme y el equilibrio en todo momento.** Esto permite un mejor control de la herramienta eléctrica en situaciones inesperadas.
15. **Use vestimenta apropiada. No use ropas sueltas ni joyas. Mantenga el cabello, la ropa y los guantes alejados de las piezas móviles.** Las prendas de vestir holgadas, las joyas y el cabello suelto podrían engancharse en estas piezas móviles.
16. **Si dispone de dispositivos para la conexión de equipos de extracción y recolección de polvo, asegúrese de conectarlos y utilizarlos debidamente.** La utilización de estos dispositivos reduce los riesgos relacionados con el polvo.

#### **Mantenimiento y uso de la herramienta eléctrica**

17. **No fuerce la herramienta eléctrica. Utilice la herramienta eléctrica correcta para su aplicación.** La herramienta eléctrica adecuada hará un trabajo mejor a la velocidad para la que ha sido fabricada.

18. **No utilice la herramienta eléctrica si el interruptor no la enciende y apaga.** Cualquier herramienta eléctrica que no pueda ser controlada con el interruptor es peligrosa y debe ser reemplazada.
19. **Desconecte la clavija de la fuente de energía y/o la batería de la herramienta eléctrica antes de realizar ajustes, cambiar accesorios o guardar las herramientas eléctricas.** Dichas medidas de seguridad preventivas reducen el riesgo de que la herramienta se inicie accidentalmente.
20. **Guarde la herramienta eléctrica que no use fuera del alcance de los niños y no permita que las personas que no están familiarizadas con ella o con las instrucciones la operen.** Las herramientas eléctricas son peligrosas en manos de personas que no saben operarlas.
21. **Realice el mantenimiento a las herramientas eléctricas. Compruebe que no haya partes móviles desalineadas o estancadas, piezas rotas y cualquier otra condición que pueda afectar al funcionamiento de la herramienta eléctrica. Si la herramienta eléctrica está dañada, haga que se la reparen antes de utilizarla.** Muchos accidentes son ocasionados por herramientas eléctricas con un mal mantenimiento.
22. **Mantenga las herramientas de corte limpias y filosas.** Si recibe un mantenimiento adecuado y tiene los bordes afilados, es probable que la herramienta se atasque menos y sea más fácil controlarla.
23. **Utilice la herramienta eléctrica, así como accesorios, piezas, brocas, etc. de acuerdo con estas instrucciones y de la manera establecida para cada tipo de unidad en particular; tenga en cuenta las condiciones laborales y el trabajo a realizar.** Si utiliza la herramienta eléctrica para realizar operaciones distintas de las indicadas, podrá presentarse una situación peligrosa.

#### **Uso y cuidado de la herramienta a batería**

24. **Realice la recarga sólo con el cargador especificado por el fabricante.** Un cargador que es adecuado para un solo tipo de batería puede generar riesgo de incendio al ser utilizado con otra batería.
25. **Utilice las herramientas eléctricas solamente con las baterías designadas específicamente para ellas.** La utilización de cualquier otra batería puede crear un riesgo de heridas o incendio.
26. **Cuando no se esté usando el cartucho de la batería, manténgalo alejado de otros objetos metálicos, como sujetapapeles (clips),**

monedas, llaves, clavos, tornillos u otros objetos pequeños de metal los cuales pueden actuar creando una conexión entre las terminales de la batería. Cerrar el circuito las terminales de la batería puede causar quemaduras o incendios.

27. En condiciones abusivas, podrá escapar líquido de la batería; evite tocarlo. Si lo toca accidentalmente, enjuague con agua. Si hay contacto del líquido con los ojos, acuda por ayuda médica. Puede que el líquido expulsado de la batería cause irritación o quemaduras.

#### Servicio de mantenimiento

28. Haga que una persona calificada repare la herramienta utilizando sólo piezas de repuesto idénticas. Esto asegura que se mantenga la seguridad de la herramienta eléctrica.
29. Siga las instrucciones para la lubricación y cambio de accesorios.
30. Mantenga las agarraderas secas, limpias y sin aceite o grasa.

GEB049-2

## ADVERTENCIAS DE SEGURIDAD PARA EL USO DE LA LLAVE DE PERCUSIÓN A BATERÍA

1. Sujete la herramienta eléctrica por las superficies de agarre aisladas al realizar una operación en la que el sujetador pueda entrar en contacto con cables ocultos. Si el sujetador entra en contacto con un cable con corriente, las piezas metálicas expuestas de la herramienta eléctrica se cargarán también de corriente y el operario puede recibir una descarga.
2. Póngase protectores de oídos.
3. Compruebe con cuidado que ni la clavija ni el receptáculo estén agrietados ni dañados antes de la instalación.
4. Sostenga la herramienta con firmeza.
5. Asegúrese siempre de que pisa sobre suelo firme.  
Asegúrese de que no haya nadie debajo cuando utilice la herramienta en lugares altos.
6. El par de apriete de torsión apropiado podrá variar en función del tipo o tamaño del perno. Compruebe el par de apriete con una llave de torsión.

## GUARDE ESTAS INSTRUCCIONES.




### ⚠ADVERTENCIA:

NO DEJE que la comodidad o familiaridad con el producto (a base de utilizarlo repetidamente) sustituya la estricta observancia de las normas de seguridad para dicho producto. El MAL USO o el no seguir las normas de seguridad establecidas en este manual de instrucciones puede ocasionar graves lesiones personales.

USD302-1

## Símbolos

A continuación se muestran los símbolos utilizados para la herramienta.

- |   |   |   |
|---|---|---|
|  | · | volts o voltios   |
|  | · | corriente directa o continua  |
| $n_s$   | · | velocidad en vacío o sin carga                                      |
| $\dots / \text{min}$<br>$r / \text{min}$  | · | revoluciones o alternaciones por minuto,<br>frecuencia de rotación. |
|  | · | número de percusiones   |

ENC007-6

## INSTRUCCIONES IMPORTANTES DE SEGURIDAD

### PARA CARTUCHO DE BATERÍA

1. Antes de utilizar el cartucho de batería, lea todas las instrucciones e indicaciones de precaución sobre (1) el cargador de baterías, (2) la batería, y (3) el producto con el que se utiliza la batería.
2. No desarme el cartucho de batería.
3. Si el tiempo de operación se ha acortado en exceso, deje de operar de inmediato. Podría correrse el riesgo de sobrecalentamiento, posibles quemaduras e incluso explosión.
4. En caso de que ingresen electrolitos en sus ojos, enjuáguelos bien con agua limpia y consulte de inmediato a un médico. Podría perder la visión.
5. No cortocircuite el cartucho de batería:
  - (1) No toque las terminales con ningún material conductor.
  - (2) Evite guardar el cartucho de batería en un cajón junto con otros objetos metálicos, tales como clavos, monedas, etc.
  - (3) No exponga la batería de cartucho a la lluvia o nieve.

Un corto circuito en la batería puede causar un flujo grande de corriente, sobrecalentamiento, posibles quemaduras y aún descomposturas.

6. No guarde la herramienta ni el cartucho de batería en lugares donde la temperatura pueda alcanzar o exceder los 50 ° C (122 ° F).
7. Nunca incinere el cartucho de batería incluso en el caso de que esté dañado seriamente o ya no sirva en absoluto. El cartucho de batería puede explotar si se tira al fuego.
8. Tenga cuidado de no dejar caer ni golpear el cartucho de batería.
9. No use una batería dañada.

## GUARDE ESTAS INSTRUCCIONES.

### Consejos para alargar al máximo la vida útil de la batería

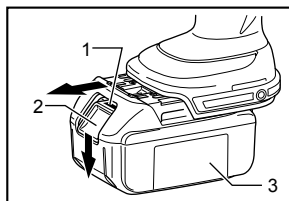
1. Cargue el cartucho de batería antes de que se descargue completamente. Pare siempre la operación y cargue el cartucho de batería cuando note menos potencia en la herramienta.
2. No cargue nunca un cartucho de batería que esté completamente cargado. La sobrecarga acortará la vida de servicio de la batería.
3. Cargue el cartucho de batería a temperatura ambiente de 10 ° C - 40 ° C (50 ° F - 104 ° F). Si un cartucho de batería está caliente, déjelo enfriar antes de cargarlo.

## DESCRIPCIÓN DEL FUNCIONAMIENTO

### ⚠PRECAUCIÓN:

- Asegúrese siempre de que la herramienta esté apagada y el cartucho de batería extraído antes de realizar cualquier ajuste o comprobación en la herramienta.

### Instalación o desmontaje del cartucho de batería

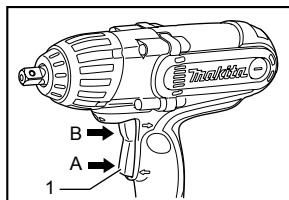


1. Parte roja
2. Botón
3. Cartucho de batería

008146

- Siempre apague la herramienta antes de poner o quitar el cartucho de la batería.
- Para extraer la batería, retírela de la herramienta deslizando el botón que se encuentra en el frente de la batería.
- Para colocar la batería, alinee la lengüeta de la batería con la canaleta de la carcasa y colóquela en su lugar. Asegúrese siempre de que está insertando la batería hasta el final, en donde hace tope y emite un pequeño chasquido. Si todavía puede ver la parte roja en la parte de arriba del botón, significa que no está completamente trabada. Empújela suavemente hacia adentro hasta que no pueda ver la parte roja. Si esto no sucede, puede que accidentalmente se caiga de la herramienta ocasionando daños personales a usted o a terceros.
- No emplee fuerza cuando inserte el cartucho de batería. Si el cartucho no se desliza al interior fácilmente, será porque no se está insertando correctamente.

### Accionamiento del interruptor



1. Gatillo interruptor

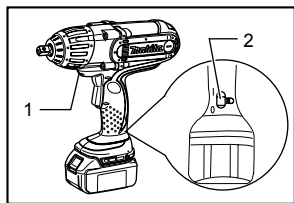
008147

### **⚠PRECAUCIÓN:**

- Antes de insertar el cartucho de batería en la herramienta, compruebe siempre y cerciórese de que el gatillo interruptor se acciona debidamente y que vuelve a la posición "OFF"(apagado) cuando lo suelta.
- Cambie la dirección de giro solamente después de que la herramienta haya parado completamente. Si lo cambia antes, la herramienta se puede averiar.

El interruptor es reversible y provee una rotación bien a la derecha o bien a la izquierda. Para poner en funcionamiento la herramienta, simplemente presione la parte inferior (A) del interruptor de gatillo para una rotación a la derecha, o la parte superior (B) del interruptor de gatillo para una rotación a la izquierda. Para parar la herramienta libere el interruptor.

### **Iluminación de la lámpara delantera**



008407

1. Lámpara
2. Interruptor de la lámpara

### **⚠PRECAUCIÓN:**

- No mire a la luz ni vea la fuente de luz directamente. Presione la posición superior del interruptor de la luz para encenderla y hacia abajo para apagarla.

### **NOTA:**

- Utilice un paño seco para quitar la suciedad de la lente de la lámpara. Tenga cuidado de no rayar la lente de la lámpara, porque podrá disminuir la iluminación.
- El dispositivo de luz se suministra con un circuito de descarga excesiva. Cuando éste no se enciende incluso tras encender el interruptor, es probable a que la batería esté con una carga baja. Recargue el cartucho de la batería.
- Mantenga el interruptor de la luz en la posición de apagado "off" mientras no requiera el uso de luz.

## **ENSAMBLE**

### **⚠PRECAUCIÓN:**

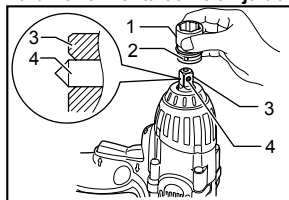
- Asegúrese siempre de que la herramienta esté apagada y el cartucho de batería extraído antes de realizar cualquier trabajo en la misma.

### **Selección del dado correcto**

Utilice siempre el dado de tamaño correcto para pernos y tuercas. El utilizar un dado de tamaño incorrecto resultará en una torsión de apriete imprecisa e inconsistente y/o en daños al perno o a la tuerca.

### **Instalación o extracción del dado**

#### **Para herramienta con clavija de retención ligera**



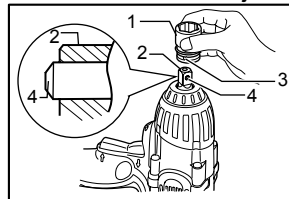
008408

1. Dado
2. Orificio
3. Eje o yunque
4. Pasador de retención

Alinee el orificio lateral del dado con el pasador de retención del yunque y presiónelo dentro del yunque de la herramienta hasta que se trabe en su lugar. Golpéelo ligeramente si es necesario.

Para retirar el dado simplemente quítelo.

#### **Para herramienta con clavija de retención firme**



012052

1. Dado
2. Eje o yunque
3. Orificio
4. Pasador de retención

Para instalar el dado alinee el orificio en el lado del dado con el pasador de retención en el yunque.

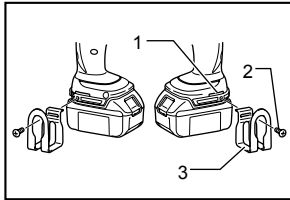
Empuje el dado en el yunque hasta que se trabe en su lugar. Golpéelo ligeramente si es necesario.

Para quitar el dado, oprima el pasador de retención a través del orificio en el dado y saque el dado del yunque.

### **Gancho**

### **⚠PRECAUCIÓN:**

Tras insertar el gancho, asegúrese de que quede firmemente colocado.



1. Ranura
2. Tornillo
3. Gancho

008150

El gancho resulta útil para colgar temporalmente la herramienta. Se puede instalar en cualquiera de los lados de la herramienta.

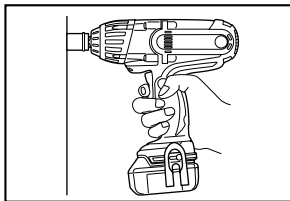
Para instalar el gancho, insértelo en una ranura del alojamiento de la herramienta de cualquiera de los lados y después sujételo con un tornillo. Para quitarlo, afloje el tornillo y después sáquelo.

## OPERACIÓN

### ⚠PRECAUCIÓN:

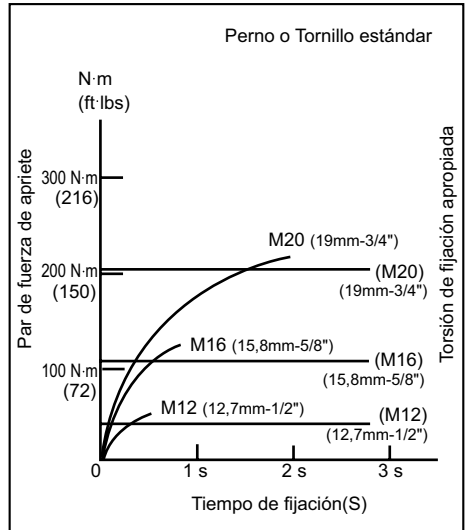
- Inserte siempre el cartucho de la batería a tope hasta que se bloquee en su sitio. Si puede ver la parte roja del lado superior del botón, no estará bloqueado completamente. Insértelo completamente hasta que no pueda verse la parte roja. En caso contrario, podrá caerse accidentalmente de la herramienta y ocasionarle heridas a usted o a alguien que se encuentre cerca de usted.

Sujete firmemente la herramienta y ponga el dado sobre el tornillo o la tuerca. Ponga en marcha la herramienta y apriete durante el tiempo de apriete apropiado.

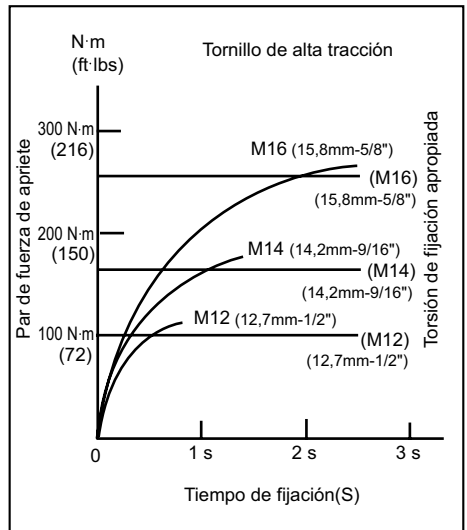


008151

El par de fuerza de apriete adecuado puede diferir dependiendo del tipo y tamaño del tornillo, el material de la pieza de trabajo que se va a apretar, etc. La relación entre el par de fuerza de apriete y el tiempo de apretar se muestra en las figuras.



008485



008489

### NOTA:

- Sujete la herramienta orientada en línea recta al tornillo o tuerca.
- Una torsión de apriete excesiva puede dañar el perno/tuerca o la llave hexagonal. Antes de comenzar la tarea, realice siempre una operación de prueba para determinar el tiempo de apriete apropiado para el

perno o la tuerca que quiere apretar.

- Si se opera la herramienta de forma continua hasta que se agote la batería, permita unos 15 minutos de descanso de la herramienta antes de cambiar y continuar con un cartucho de batería recargado.

La torsión de apriete se ve afectada por una amplia variedad de factores incluyendo los siguientes. Después del apriete, compruebe siempre la torsión de apriete con una llave de torsión.

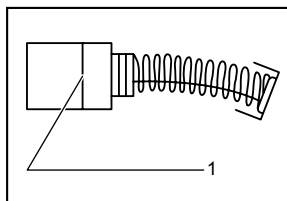
1. Cuando el cartucho de batería esté casi completamente descargado, caerá la tensión y se reducirá la torsión de apriete.
2. Dado
  - Si no se utiliza un dado del tamaño correcto, la torsión de apriete se verá reducida.
  - Si se utiliza un dado desgastado (desgaste en el extremo hexagonal o en extremo cuadrangular), la torsión de apriete se verá reducida.
3. Perno o tornillo
  - Incluso si el coeficiente de torsión y la clase de tornillo son los mismos, la adecuada torsión de apriete variará en función del diámetro del tornillo.
  - Incluso si el diámetro del tornillo o perno es el mismo, la torsión de apriete correcta variará de acuerdo con el coeficiente de torsión, la clase y la longitud del perno o tornillo.
4. La utilización de una junta universal o de una barra de extensión reduce de alguna manera la fuerza de apriete de la llave de impacto. Compense esto alargando el tiempo de apriete.
5. La forma de sostener la herramienta o el material en la posición a apretar afectará a la torsión.
6. La operación de la herramienta a baja velocidad ocasionará una reducción de la torsión de apriete.

## MANTENIMIENTO

### ⚠PRECAUCIÓN:

- Asegúrese siempre de que la herramienta esté apagada y el cartucho de batería extraído antes de intentar realizar una inspección o mantenimiento.
- Nunca use gasolina, bencina, diluyente (tíner), alcohol o sustancias similares. Puede que esto ocasione grietas o descoloramiento.

## Reemplazamiento de las escobillas de carbón

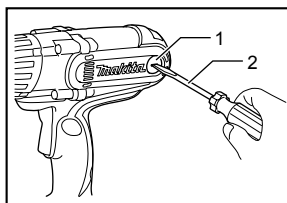


1. Marca límite

001145

Extraiga e inspeccione de forma periódica las escobillas de carbón. Sustitúyalas cuando se hayan gastado hasta la marca límite. Mantenga las escobillas de carbón limpias de forma que entren libremente en los portaescobillas. Ambas escobillas de carbón deberán ser sustituidas al mismo tiempo. Utilice únicamente escobillas de carbón originales e idénticas.

Utilice un destornillador para quitar las tapas de los portaescobillas. Extraiga las escobillas gastadas, inserte las nuevas y vuelva a colocar las tapas.



1. Tapa del carbón  
2. Destornillador

008152

Para mantener la **SEGURIDAD** y **FIABILIDAD** del producto, las reparaciones, y cualquier otra tarea de mantenimiento o ajuste deberán ser realizadas en Centros de Servicio Autorizados por Makita, empleando siempre repuestos Makita.

## ACCESORIOS OPCIONALES

### PRECAUCIÓN:

- Estos accesorios o aditamentos (incluidos o no) están recomendados para utilizar con su herramienta Makita especificada en este manual. El empleo de cualesquiera otros accesorios o acoplamientos conllevará un riesgo de sufrir heridas personales. Utilice los accesorios o acoplamientos solamente para su fin establecido.

Si necesita cualquier ayuda para más detalles en relación con estos accesorios, pregunte a su centro de servicio Makita local.

- Dados
- Barra de extensión
- Unión universal
- Adaptador de punta
- Batería y cargador originales de Makita

### NOTA:

- Algunos de los artículos en la lista puede que vengan junto con el paquete de la herramienta como accesorios incluidos. Puede que estos accesorios varíen de país a país.

## GARANTÍA LIMITADA MAKITA DE UN AÑO

**Ésta Garantía no aplica para México**

### Política de garantía

Cada herramienta Makita es inspeccionada y probada exhaustivamente antes de salir de fábrica. Se garantiza que va a estar libre de defectos de mano de obra y materiales por el periodo de UN AÑO a partir de la fecha de adquisición original. Si durante este periodo de un año se desarrollase algún problema, retorne la herramienta COMPLETA, porte pagado con antelación, a una de las fábricas o centros de servicio autorizados Makita. Si la inspección muestra que el problema ha sido causado por mano de obra o material defectuoso, Makita la reparará (o a nuestra opción, reemplazará) sin cobrar.

Esta garantía no será aplicable cuando:

- se hayan hecho o intentado hacer reparaciones por otros;
- se requieran reparaciones debido al desgaste normal;
- la herramienta haya sido abusada, mal usada o mantenido indebidamente;
- se hayan hecho alteraciones a la herramienta.

EN NINGÚN CASO MAKITA SE HARÁ RESPONSABLE DE NINGÚN DAÑO INDIRECTO, FORTUITO O CONSECUENCIAL DERIVADO DE LA VENTA O USO DEL PRODUCTO.

ESTA RENUNCIA SERÁ APLICABLE TANTO DURANTE COMO DESPUÉS DEL TÉRMINO DE ESTA GARANTÍA.

MAKITA RENUNCIA LA RESPONSABILIDAD POR CUALQUIER GARANTÍA IMPLÍCITA, INCLUYENDO GARANTÍAS IMPLÍCITAS DE "COMERCIALIDAD" E "IDONEIDAD PARA UN FIN ESPECÍFICO", DESPUÉS DEL TÉRMINO DE UN AÑO DE ESTA GARANTÍA.

Esta garantía le concede a usted derechos legales específicos, y usted podrá tener también otros derechos que varían de un estado a otro. Algunos estados no permiten la exclusión o limitación de daños fortuitos o consecuenciales, por lo que es posible que la antedicha limitación o exclusión no le sea de aplicación a usted. Algunos estados no permiten limitación sobre la duración de una garantía implícita, por lo que es posible que la antedicha limitación no le sea de aplicación a usted.

EN0006-1









< USA only >

# WARNING

Some dust created by power sanding, sawing, grinding, drilling, and other construction activities contains chemicals known to the State of California to cause cancer, birth defects or other reproductive harm. Some examples of these chemicals are:

- lead from lead-based paints,
- crystalline silica from bricks and cement and other masonry products, and
- arsenic and chromium from chemically-treated lumber.

Your risk from these exposures varies, depending on how often you do this type of work. To reduce your exposure to these chemicals: work in a well ventilated area, and work with approved safety equipment, such as those dust masks that are specially designed to filter out microscopic particles.

< Sólo en los Estados Unidos >

# ADVERTENCIA

Algunos polvos creados por el lijado, aserrado, esmerilado, taladrado y otras actividades de la construcción contienen sustancias químicas reconocidas por el Estado de California como causantes de cáncer, defectos de nacimiento y otros peligros de reproducción. Algunos ejemplos de estos productos químicos son:

- plomo de pinturas a base de plomo,
- sílice cristalino de ladrillos y cemento y otros productos de albañilería, y
- arsénico y cromo de maderas tratadas químicamente.

El riesgo al que se expone varía, dependiendo de la frecuencia con la que realice este tipo de trabajo. Para reducir la exposición a estos productos químicos: trabaje en un área bien ventilada y póngase el equipo de seguridad indicado, tal como las máscaras contra polvo que están especialmente diseñadas para filtrar partículas microscópicas.

**Makita Corporation**

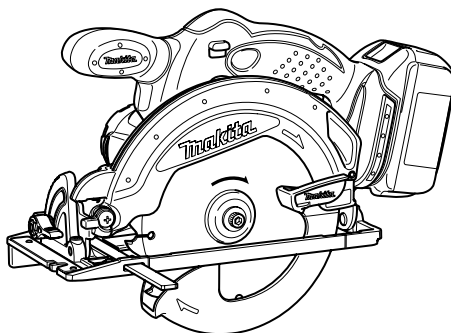
3-11-8, Sumiyoshi-cho,  
Anjo, Aichi 446-8502 Japan

INSTRUCTION MANUAL  
MANUEL D'INSTRUCTION  
MANUAL DE INSTRUCCIONES



# Cordless Circular Saw Scie Circulaire sans Fil Sierra Circular Inalámbrica

XSS01  
XSS02



006699

**IMPORTANT:** Read Before Using.  
**IMPORTANT:** Lire avant usage.  
**IMPORTANTE:** Leer antes de usar.

## ENGLISH (Original instructions)

# SPECIFICATIONS

Model		XSS01		XSS02	
Blade diameter		165 mm (6-1/2")			
Max. Cutting depth	at 90°	57 mm (2-1/4")			
	at 45°	40 mm (1-9/16")			
	at 50°	36 mm (1-7/16")			
No load speed (RPM)		3,700 /min			
Overall length		347 mm (13-5/8")			
Net weight		3.2 kg (7.1 lbs)	3.5 kg (7.6 lbs)	3.1 kg (6.8 lbs)	3.3 kg (7.3 lbs)
Rated voltage		D.C. 18 V			
Standard battery cartridges		BL1815N	BL1830/BL1840	BL1815N	BL1830/BL1840

- Due to our continuing program of research and development, the specifications herein are subject to change without notice.
- Specifications and battery cartridge may differ from country to country.
- Weight, with battery cartridge, according to EPTA-Procedure 01/2003

GEA006-2

## General Power Tool Safety

### Warnings

**⚠ WARNING** Read all safety warnings and all instructions. Failure to follow the warnings and instructions may result in electric shock, fire and/or serious injury.

### Save all warnings and instructions for future reference.

The term "power tool" in the warnings refers to your mains-operated (corded) power tool or battery-operated (cordless) power tool.

#### Work area safety

1. **Keep work area clean and well lit.** Cluttered or dark areas invite accidents.
2. **Do not operate power tools in explosive atmospheres, such as in the presence of flammable liquids, gases or dust.** Power tools create sparks which may ignite the dust or fumes.
3. **Keep children and bystanders away while operating a power tool.** Distractions can cause you to lose control.

#### Electrical Safety

4. **Power tool plugs must match the outlet. Never modify the plug in any way. Do not use any adapter plugs with earthed (grounded) power tools.** Unmodified plugs and matching outlets will reduce risk of electric shock.
5. **Avoid body contact with earthed or grounded surfaces such as pipes, radiators, ranges and refrigerators.** There is an increased risk of electric shock if your body is earthed or grounded.
6. **Do not expose power tools to rain or wet conditions.** Water entering a power tool will increase the risk of electric shock.

7. **Do not abuse the cord. Never use the cord for carrying, pulling or unplugging the power tool. Keep cord away from heat, oil, sharp edges or moving parts.** Damaged or entangled cords increase the risk of electric shock.
8. **When operating a power tool outdoors, use an extension cord suitable for outdoor use.** Use of a cord suitable for outdoor use reduces the risk of electric shock.
9. **If operating a power tool in a damp location is unavoidable, use a ground fault circuit interrupter (GFCI) protected supply.** Use of an GFCI reduces the risk of electric shock.

#### Personal Safety

10. **Stay alert, watch what you are doing and use common sense when operating a power tool. Do not use a power tool while you are tired or under the influence of drugs, alcohol or medication.** A moment of inattention while operating power tools may result in serious personal injury.
11. **Use personal protective equipment. Always wear eye protection.** Protective equipment such as dust mask, non-skid safety shoes, hard hat, or hearing protection used for appropriate conditions will reduce personal injuries.
12. **Prevent unintentional starting. Ensure the switch is in the off-position before connecting to power source and/or battery pack, picking up or carrying the tool.** Carrying power tools with your finger on the switch or energising power tools that have the switch on invites accidents.
13. **Remove any adjusting key or wrench before turning the power tool on.** A wrench or a key left attached to a rotating part of the power tool may result in personal injury.

14. **Do not overreach. Keep proper footing and balance at all times.** This enables better control of the power tool in unexpected situations.
15. **Dress properly. Do not wear loose clothing or jewellery. Keep your hair, clothing, and gloves away from moving parts.** Loose clothes, jewellery or long hair can be caught in moving parts.
16. **If devices are provided for the connection of dust extraction and collection facilities, ensure these are connected and properly used.** Use of dust collection can reduce dust-related hazards.

#### Power tool use and care

17. **Do not force the power tool. Use the correct power tool for your application.** The correct power tool will do the job better and safer at the rate for which it was designed.
18. **Do not use the power tool if the switch does not turn it on and off.** Any power tool that cannot be controlled with the switch is dangerous and must be repaired.
19. **Disconnect the plug from the power source and/or the battery pack from the power tool before making any adjustments, changing accessories, or storing power tools.** Such preventive safety measures reduce the risk of starting the power tool accidentally.
20. **Store idle power tools out of the reach of children and do not allow persons unfamiliar with the power tool or these instructions to operate the power tool.** Power tools are dangerous in the hands of untrained users.
21. **Maintain power tools. Check for misalignment or binding of moving parts, breakage of parts and any other condition that may affect the power tool's operation. If damaged, have the power tool repaired before use.** Many accidents are caused by poorly maintained power tools.
22. **Keep cutting tools sharp and clean.** Properly maintained cutting tools with sharp cutting edges are less likely to bind and are easier to control.
23. **Use the power tool, accessories and tool bits etc. in accordance with these instructions, taking into account the working conditions and the work to be performed.** Use of the power tool for operations different from those intended could result in a hazardous situation.

#### Battery tool use and care

24. **Recharge only with the charger specified by the manufacturer.** A charger that is suitable for one type of battery pack may create a risk of fire when used with another battery pack.
25. **Use power tools only with specifically designated battery packs.** Use of any other battery packs may create a risk of injury and fire.

26. **When battery pack is not in use, keep it away from other metal objects, like paper clips, coins, keys, nails, screws or other small metal objects, that can make a connection from one terminal to another.** Shorting the battery terminals together may cause burns or a fire.
27. **Under abusive conditions, liquid may be ejected from the battery; avoid contact. If contact accidentally occurs, flush with water. If liquid contacts eyes, additionally seek medical help.** Liquid ejected from the battery may cause irritation or burns.

#### Service

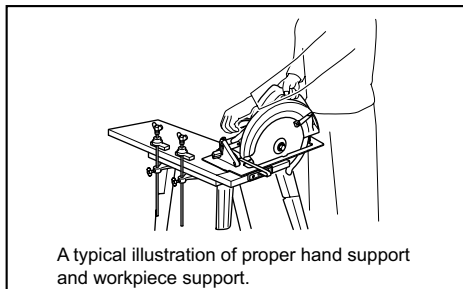
28. **Have your power tool serviced by a qualified repair person using only identical replacement parts.** This will ensure that the safety of the power tool is maintained.
29. **Follow instruction for lubricating and changing accessories.**
30. **Keep handles dry, clean and free from oil and grease.**

GEB120-2

## CORDLESS CIRCULAR SAW SAFETY WARNINGS

### Cutting procedures

1. **⚠ DANGER: Keep hands away from cutting area and the blade. Keep your second hand on auxiliary handle, or motor housing.** If both hands are holding the saw, they cannot be cut by the blade.
2. **Do not reach underneath the workpiece.** The guard cannot protect you from the blade below the workpiece.
3. **Adjust the cutting depth to the thickness of the workpiece.** Less than a full tooth of the blade teeth should be visible below the workpiece.
4. **Never hold piece being cut in your hands or across your leg. Secure the workpiece to a stable platform.** It is important to support the work properly to minimize body exposure, blade binding, or loss of control.



A typical illustration of proper hand support and workpiece support.

000161

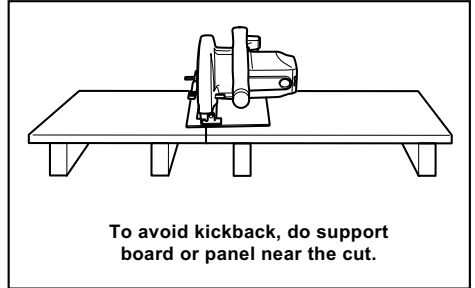
5. **Hold the power tool by insulated gripping surfaces only, when performing an operation where the cutting tool may contact hidden wiring.** Contact with a "live" wire will also make exposed metal parts of the power tool "live" and could give the operator an electric shock.
6. **When ripping, always use a rip fence or straight edge guide.** This improves the accuracy of cut and reduces the chance of blade binding.
7. **Always use blades with correct size and shape (diamond versus round) of arbour holes.** Blades that do not match the mounting hardware of the saw will run eccentrically, causing loss of control.
8. **Never use damaged or incorrect blade washers or bolt.** The blade washers and bolt were specially designed for your saw, for optimum performance and safety of operation.

**Kickback causes and related warnings**

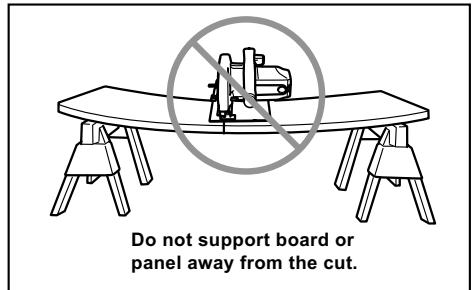
- kickback is a sudden reaction to a pinched, bound or misaligned saw blade, causing an uncontrolled saw to lift up and out of the workpiece toward the operator;
- when the blade is pinched or bound tightly by the kerf closing down, the blade stalls and the motor reaction drives the unit rapidly back toward the operator;
- if the blade becomes twisted or misaligned in the cut, the teeth at the back edge of the blade can dig into the top surface of the wood causing the blade to climb out of the kerf and jump back toward the operator.

Kickback is the result of saw misuse and/or incorrect operating procedures or conditions and can be avoided by taking proper precautions as given below.

9. **Maintain a firm grip with both hands on the saw and position your arms to resist kickback forces. Position your body to either side of the blade, but not in line with the blade.** Kickback could cause the saw to jump backwards, but kickback forces can be controlled by the operator, if proper precautions are taken.
10. **When blade is binding, or when interrupting a cut for any reason, release the trigger and hold the saw motionless in the material until the blade comes to a complete stop. Never attempt to remove the saw from the work or pull the saw backward while the blade is in motion or kickback may occur.** Investigate and take corrective actions to eliminate the cause of blade binding.
11. **When restarting a saw in the workpiece, centre the saw blade in the kerf and check that saw teeth are not engaged into the material.** If saw blade is binding, it may walk up or kickback from the workpiece as the saw is restarted.
12. **Support large panels to minimise the risk of blade pinching and kickback.** Large panels tend to sag under their own weight. Supports must be placed under the panel on both sides, near the line of cut and near the edge of the panel.
13. **Do not use dull or damaged blades.** Unsharpened or improperly set blades produce narrow kerf causing excessive friction, blade binding and kickback.
14. **Blade depth and bevel adjusting locking levers must be tight and secure before making cut.** If blade adjustment shifts while cutting, it may cause binding and kickback.
15. **Use extra caution when sawing into existing walls or other blind areas.** The protruding blade may cut objects that can cause kickback.
16. **ALWAYS hold the tool firmly with both hands. NEVER place your hand or fingers behind the saw.** If kickback occurs, the saw could easily jump backwards over your hand, leading to serious personal injury.

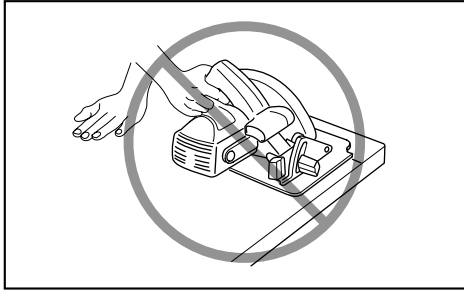


000192



014252





000160

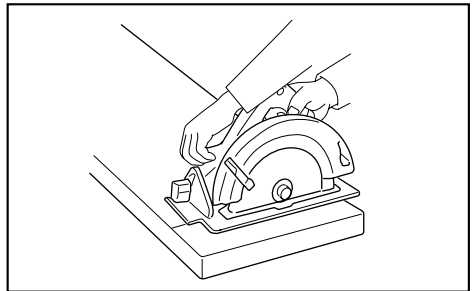
17. **Never force the saw. Push the saw forward at a speed so that the blade cuts without slowing.** Forcing the saw can cause uneven cuts, loss of accuracy, and possible kickback.

#### Lower guard function

18. **Check lower guard for proper closing before each use. Do not operate the saw if lower guard does not move freely and close instantly. Never clamp or tie the lower guard into the open position.** If saw is accidentally dropped, lower guard may be bent. Raise the lower guard with the retracting handle and make sure it moves freely and does not touch the blade or any other part, in all angles and depths of cut.
19. **Check the operation of the lower guard spring. If the guard and the spring are not operating properly, they must be serviced before use.** Lower guard may operate sluggishly due to damaged parts, gummy deposits, or a build-up of debris.
20. **Lower guard should be retracted manually only for special cuts such as "plunge cuts" and "compound cuts". Raise lower guard by retracting handle and as soon as blade enters the material, the lower guard must be released.** For all other sawing, the lower guard should operate automatically.
21. **Always observe that the lower guard is covering the blade before placing saw down on bench or floor.** An unprotected, coasting blade will cause the saw to walk backwards, cutting whatever is in its path. Be aware of the time it takes for the blade to stop after switch is released.
22. **To check lower guard, open lower guard by hand, then release and watch guard closure. Also check to see that retracting handle does not touch tool housing.** Leaving blade exposed is **VERY DANGEROUS** and can lead to serious personal injury.

#### Additional safety warnings

23. **Intended use**  
This tool is intended to cut wood products only. Accumulated sawdust on the lower guard and hub from other materials may effect the proper closure of the lower guard which could lead to serious personal injury.
24. **Use extra caution when cutting damp wood, pressure treated lumber, or wood containing knots.** Maintain smooth advancement of tool without decrease in blade speed to avoid overheating the blade tips.
25. **Do not attempt to remove cut material when blade is moving. Wait until blade stops before grasping cut material.** Blades coast after turn off.
26. **Avoid Cutting Nails. Inspect for and remove all nails from lumber before cutting.**
27. **Place the wider portion of the saw base on that part of the workpiece which is solidly supported, not on the section that will fall off when the cut is made. As examples, Fig. 1 illustrates the RIGHT way to cut off the end of a board, and Fig. 2 the WRONG way. If the workpiece is short or small, clamp it down. DO NOT TRY TO HOLD SHORT PIECES BY HAND!**



000163

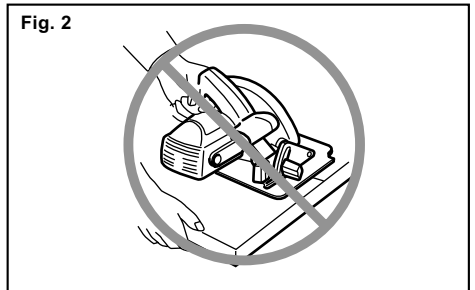
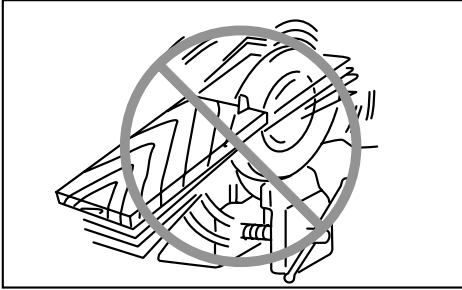


Fig. 2

000190

28. **Before setting the tool down after completing a cut, be sure that the lower guard has closed and the blade has come to a complete stop.**
29. **Never attempt to saw with the circular saw held upside down in a vise. This is extremely dangerous and can lead to serious accidents.**



000029

30. **Some material contains chemicals which may be toxic. Take caution to prevent dust inhalation and skin contact. Follow material supplier safety data.**
31. **Do not stop the blades by lateral pressure on the saw blade.**
32. **Do not use any abrasive wheels.**
33. **Only use the saw blade with the diameter that is marked on the tool or specified in the manual.** Use of an incorrectly sized blade may affect the proper guarding of the blade or guard operation which could result in serious personal injury.
34. **Keep blade sharp and clean.** Gum and wood pitch hardened on blades slows saw and increases potential for kickback. Keep blade clean by first removing it from tool, then cleaning it with gum and pitch remover, hot water or kerosene. Never use gasoline.
35. **Wear a dust mask and hearing protection when use the tool.**

## SAVE THESE INSTRUCTIONS.

### ⚠WARNING:

**DO NOT** let comfort or familiarity with product (gained from repeated use) replace strict adherence to safety rules for the subject product. **MISUSE** or failure to follow the safety rules stated in this instruction manual may cause serious personal injury.

USD301-1

## Symbols

The followings show the symbols used for tool.

v	· volts
≡	· direct current
n.	· no load speed
... /min	· revolutions or reciprocation per minute
r/min	

## IMPORTANT SAFETY INSTRUCTIONS

### FOR BATTERY CARTRIDGE

1. Before using battery cartridge, read all instructions and cautionary markings on (1) battery charger, (2) battery, and (3) product using battery. **Do not disassemble battery cartridge.**
2. **Do not disassemble battery cartridge.**
3. **If operating time has become excessively shorter, stop operating immediately. It may result in a risk of overheating, possible burns and even an explosion.**
4. **If electrolyte gets into your eyes, rinse them out with clear water and seek medical attention right away. It may result in loss of your eyesight.**
5. **Do not short the battery cartridge:**
  - (1) **Do not touch the terminals with any conductive material.**
  - (2) **Avoid storing battery cartridge in a container with other metal objects such as nails, coins, etc.**
  - (3) **Do not expose battery cartridge to water or rain.**

**A battery short can cause a large current flow, overheating, possible burns and even a breakdown.**

6. **Do not store the tool and battery cartridge in locations where the temperature may reach or exceed 50 ° C (122 ° F).**
7. **Do not incinerate the battery cartridge even if it is severely damaged or is completely worn out. The battery cartridge can explode in a fire.**
8. **Be careful not to drop or strike battery.**
9. **Do not use a damaged battery.**
10. **Follow your local regulations relating to disposal of battery.**

## SAVE THESE INSTRUCTIONS.

### Tips for maintaining maximum battery life

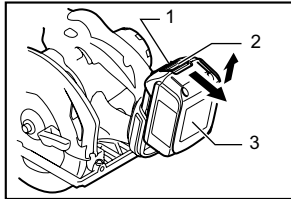
1. **Charge the battery cartridge before completely discharged.** Always stop tool operation and charge the battery cartridge when you notice less tool power.
2. **Never recharge a fully charged battery cartridge. Overcharging shortens the battery service life.**
3. **Charge the battery cartridge with room temperature at 10 ° C - 40 ° C (50 ° F - 104 ° F). Let a hot battery cartridge cool down before charging it.**
4. **Charge the battery cartridge once in every six months if you do not use it for a long period of time.**

## FUNCTIONAL DESCRIPTION

### ⚠CAUTION:

- Always be sure that the tool is switched off and the battery cartridge is removed before adjusting or checking function on the tool.

### Installing or removing battery cartridge



012142

1. Red indicator
2. Button
3. Battery cartridge

### ⚠CAUTION:

- Always switch off the tool before installing or removing of the battery cartridge.
- **Hold the tool and the battery cartridge firmly when installing or removing battery cartridge.** Failure to hold the tool and the battery cartridge firmly may cause them to slip off your hands and result in damage to the tool and battery cartridge and a personal injury.

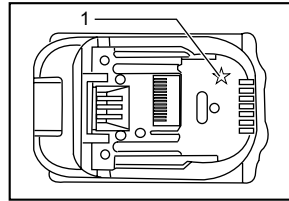
To remove the battery cartridge, slide it from the tool while sliding the button on the front of the cartridge.

To install the battery cartridge, align the tongue on the battery cartridge with the groove in the housing and slip it into place. Insert it all the way until it locks in place with a little click. If you can see the red indicator on the upper side of the button, it is not locked completely.

### ⚠CAUTION:

- Always install the battery cartridge fully until the red indicator cannot be seen. If not, it may accidentally fall out of the tool, causing injury to you or someone around you.
- Do not install the battery cartridge forcibly. If the cartridge does not slide in easily, it is not being inserted correctly.

## Battery protection system (Lithium-ion battery with star marking)



1. Star marking

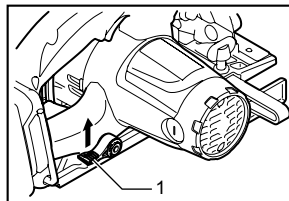
012128

Lithium-ion batteries with a star marking are equipped with a protection system. This system automatically cuts off power to the tool to extend battery life.

The tool will automatically stop during operation if the tool and/or battery are placed under one of the following conditions:

- **Overloaded:**
  - The tool is operated in a manner that causes it to draw an abnormally high current. In this situation, release the trigger switch on the tool and stop the application that caused the tool to become overloaded. Then pull the trigger switch again to restart. If the tool does not start, the battery is overheated. In this situation, let the battery cool before pulling the trigger switch again.
- **Low battery voltage:**
  - The remaining battery capacity is too low and the tool will not operate. In this situation, remove and recharge the battery.

## Adjusting depth of cut



1. Lever

006701

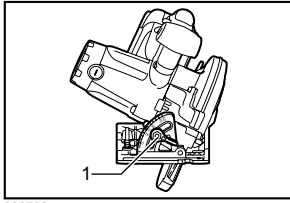
### ⚠CAUTION:

- After adjusting the depth of cut, always tighten the lever securely.

Loosen the lever on the side of the rear handle and move the base up or down. At the desired depth of cut, secure the base by tightening the lever.

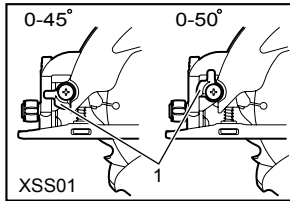
For cleaner, safer cuts, set cut depth so that no more than one blade tooth projects below workpiece. Using proper cut depth helps to reduce potential for dangerous KICKBACKS which can cause personal injury.

## Bevel cutting



006702

### For Model XSS01



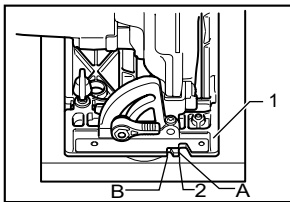
013951

Loosen the lever on the bevel scale plate on the front base. Set for the desired angle (0° - 50°) by tilting accordingly, then tighten the lever securely. Use the 45° stopper when you do precise 45° angle cutting. Turn the stopper counterclockwise fully for bevel cut (0° - 45°) and turn it clockwise for 0° - 50° bevel cuts.

### For Model XSS02

Loosen the lever on the bevel scale plate on the front base. Set for the desired angle (0° - 50°) by tilting accordingly, then tighten the lever securely.

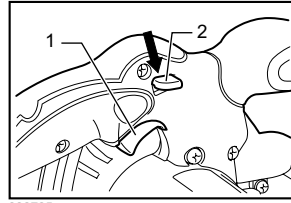
## Sighting



006704

For straight cuts, align the A position on the front of the base with your cutting line. For 45° bevel cuts, align the B position with it.

## Switch action



006705

### ⚠CAUTION:

- Before inserting the battery cartridge into the tool, always check to see that the switch trigger actuates properly and returns to the "OFF" position when released.
- Do not pull the switch trigger hard without pressing the lock-off lever. This can cause switch breakage.

To prevent the switch trigger from being accidentally pulled, a lock-off lever is provided. To start the tool, press the lock-off lever and pull the switch trigger. Release the switch trigger to stop.

### ⚠WARNING:

- For your safety, this tool is equipped with lock-off lever which prevents the tool from unintended starting. NEVER use the tool if it runs when you simply pull the switch trigger without pressing the lock-off lever. Return tool a MAKITA service center for proper repairs BEFORE further usage.
- NEVER tape down or defeat purpose and function of lock-off lever.

## Electric brake

### For Model XSS01 only

This tool is equipped with an electric blade brake. If the tool consistently fails to quickly stop blade after switch trigger release, have tool serviced at a Makita service center.

The blade brake system is not a substitute for lower guard. NEVER USE TOOL WITHOUT A FUNCTIONING LOWER GUARD. SERIOUS PERSONAL INJURY CAN RESULT.

## Lighting the lamp

### For Model XSS01 only

### ⚠CAUTION:

- Do not look in the light or see the source of light directly.

Only to turn on the light, pull the switch trigger without pressing the lock-off lever. To turn on the light and run the tool, press the lock-off lever and pull the switch trigger with the lock-off lever being pressed.

## NOTE:

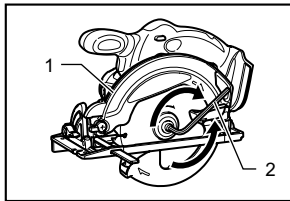
- Use a dry cloth to wipe the dirt off the lens of lamp. Be careful not to scratch the lens of lamp, or it may lower the illumination.
- Do not use gasoline, thinner or the like to clean the lens of lamp. Using such substances will damage the lens.

## ASSEMBLY

### ⚠CAUTION:

- Always be sure that the tool is switched off and the battery cartridge is removed before carrying out any work on the tool.

### Removing or installing saw blade



006706

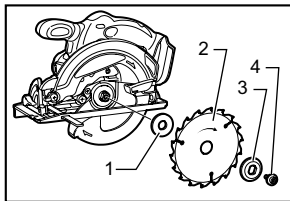
1. Shaft lock
2. Hex wrench

### ⚠CAUTION:

- Be sure the blade is installed with teeth pointing up at the front of the tool.
- Use only the Makita wrench to install or remove the blade.

To remove the blade, press the shaft lock so that the blade cannot revolve and use the wrench to loosen the hex bolt clockwise. Then remove the hex bolt, outer flange and blade.

To install the blade, follow the removal procedure in reverse. **BE SURE TO TIGHTEN THE HEX BOLT COUNTERCLOCKWISE SECURELY.**

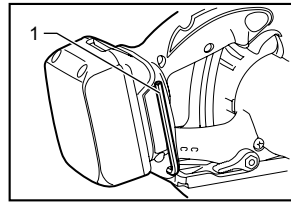


006707

1. Inner flange
2. Saw blade
3. Outer flange
4. Hex. bolt

When changing blade, make sure to also clean the upper and lower blade guards of accumulated sawdust as discussed in the Maintenance section. Such efforts do not replace the need to check lower guard operation before each use.

### Hex wrench storage

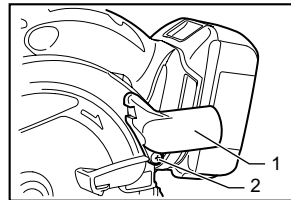


006708

1. Hex wrench

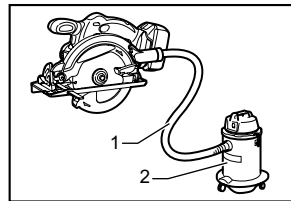
When not in use, store the hex wrench as shown in the figure to keep it from being lost.

### Connecting a vacuum cleaner



006711

1. Dust nozzle
2. Screw



006712

1. Hose
2. Vacuum cleaner

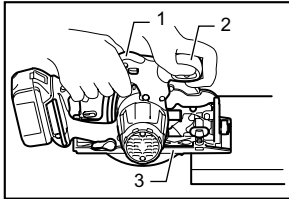
When you wish to perform clean cutting operation, connect a Makita vacuum cleaner to your tool. Install the dust nozzle on the tool using the screw. Then connect a hose of the vacuum cleaner to the dust nozzle as shown in the figure.

## OPERATION

### ⚠CAUTION:

- Always insert the battery cartridge all the way until it locks in place. If you can see the red part on the upper side of the button, it is not locked completely. Insert it fully until the red part cannot be seen. If not, it may accidentally fall out of the tool, causing injury to you or someone around you.
- Be sure to move the tool forward in a straight line gently. Forcing or twisting the tool will result in overheating the motor and dangerous kickback, possibly causing severe injury.

- If the tool is operated continuously until the battery cartridge has discharged, allow the tool to rest for 15 minutes before proceeding with a fresh battery.



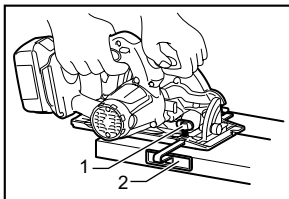
1. Rear handle
2. Front grip
3. Base

006709

Hold the tool firmly. The tool is provided with both a front grip and rear handle. Use both to best grasp the tool. If both hands are holding saw, they cannot be cut by the blade. Set the base on the workpiece to be cut without the blade making any contact. Then turn the tool on and wait until the blade attains full speed. Now simply move the tool forward over the workpiece surface, keeping it flat and advancing smoothly until the sawing is completed.

To get clean cuts, keep your sawing line straight and your speed of advance uniform. If the cut fails to properly follow your intended cut line, do not attempt to turn or force the tool back to the cut line. Doing so may bind the blade and lead to dangerous kickback and possible serious injury. Release switch, wait for blade to stop and then withdraw tool. Realign tool on new cut line, and start cut again. Attempt to avoid positioning which exposes operator to chips and wood dust being ejected from saw. Use eye protection to help avoid injury.

### Rip fence (Guide rule)



1. Clamping screw
2. Rip fence (Guide rule)

006710

The handy rip fence allows you to do extra-accurate straight cuts. Simply slide the rip fence up snugly against the side of the workpiece and secure it in position with the screw on the front of the base. It also makes repeated cuts of uniform width possible.

## MAINTENANCE

### ⚠CAUTION:

- Always be sure that the tool is switched off and the battery cartridge is removed before attempting to perform inspection or maintenance.
- **Clean out the upper and lower guards to ensure there is no accumulated sawdust which may impede the operation of the lower guarding system.** A dirty guarding system may limit the proper operation which could result in serious personal injury. The most effective way to accomplish this cleaning is with compressed air. **If the dust is being blown out of the guards be sure the proper eye and breathing protection is used.**
- Never use gasoline, benzine, thinner, alcohol or the like. Discoloration, deformation or cracks may result.

### Adjusting for accuracy of 90° and 45° cut (vertical and 45° cut)

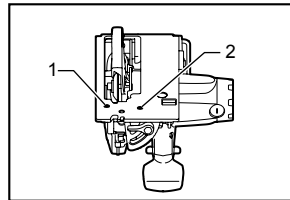
#### For Model XSS01

This adjustment has been made at the factory. But if it is off, adjust the adjusting screws with a hex wrench while inspecting 90° or 45° the blade with the base using a triangular rule or square rule, etc.

### Adjusting for accuracy of 90° cut (vertical cut)

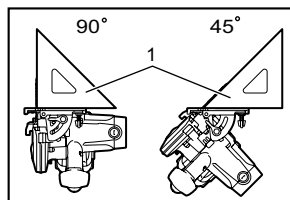
#### For Model XSS02

This adjustment has been made at the factory. But if it is off, adjust the adjusting screws with a hex wrench while inspecting 90° the blade with the base using a triangular rule or square rule, etc.



1. Adjusting screw for 45° (XSS01 only)
2. Adjusting screw for 90°

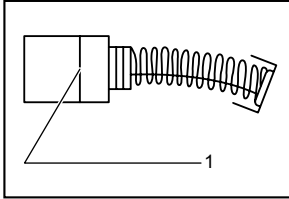
013976



1. Triangular rule

006714

## Replacing carbon brushes



1. Limit mark

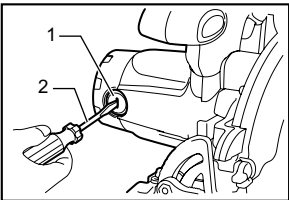
001145

Remove and check the carbon brushes regularly. Replace when they wear down to the limit mark. Keep the carbon brushes clean and free to slip in the holders. Both carbon brushes should be replaced at the same time. Use only identical carbon brushes.

Use a screwdriver to remove the brush holder caps. Take out the worn carbon brushes, insert the new ones and secure the brush holder caps.

### For Model XSS01

After replacing brushes, insert the battery cartridge into the tool and break in brushes by running tool with no load for about 1 minute. Then check the tool while running and electric brake operation when releasing the switch trigger. If electric brake is not working well, ask your local Makita service center for repair.



1. Brush holder cap  
2. Screwdriver

006715

To maintain product SAFETY and RELIABILITY, repairs, any other maintenance or adjustment should be performed by Makita Authorized or Factory Service Centers, always using Makita replacement parts.

## OPTIONAL ACCESSORIES

### ⚠ CAUTION:

- These accessories or attachments are recommended for use with your Makita tool specified in this manual. The use of any other accessories or attachments might present a risk of injury to persons. Only use accessory or attachment for its stated purpose.

If you need any assistance for more details regarding these accessories, ask your local Makita Service Center.

- Carbide-tipped saw blades

Combination	General purpose blade for fast and smooth rip, crosscuts and miters.
-------------	--

006540

- Rip fence (Guide rule)
- Hex wrench 5
- Dust nozzle
- Makita genuine battery and charger

### NOTE:

- Some items in the list may be included in the tool package as standard accessories. They may differ from country to country.

## MAKITA LIMITED ONE YEAR WARRANTY

### Warranty Policy

Every Makita tool is thoroughly inspected and tested before leaving the factory. It is warranted to be free of defects from workmanship and materials for the period of ONE YEAR from the date of original purchase. Should any trouble develop during this one year period, return the COMPLETE tool, freight prepaid, to one of Makita's Factory or Authorized Service Centers. If inspection shows the trouble is caused by defective workmanship or material, Makita will repair (or at our option, replace) without charge.

This Warranty does not apply where:

- repairs have been made or attempted by others:
- repairs are required because of normal wear and tear:
- the tool has been abused, misused or improperly maintained:
- alterations have been made to the tool.

IN NO EVENT SHALL MAKITA BE LIABLE FOR ANY INDIRECT, INCIDENTAL OR CONSEQUENTIAL DAMAGES FROM THE SALE OR USE OF THE PRODUCT. THIS DISCLAIMER APPLIES BOTH DURING AND AFTER THE TERM OF THIS WARRANTY.

MAKITA DISCLAIMS LIABILITY FOR ANY IMPLIED WARRANTIES, INCLUDING IMPLIED WARRANTIES OF "MERCHANTABILITY" AND "FITNESS FOR A SPECIFIC PURPOSE," AFTER THE ONE YEAR TERM OF THIS WARRANTY.

This Warranty gives you specific legal rights, and you may also have other rights which vary from state to state. Some states do not allow the exclusion or limitation of incidental or consequential damages, so the above limitation or exclusion may not apply to you. Some states do not allow limitation on how long an implied warranty lasts, so the above limitation may not apply to you.

EN0006-1

## SPÉCIFICATIONS

Modèle		XSS01		XSS02	
Diamètre de la lame		165 mm (6-1/2")			
Profondeur de coupe max.	à 90°	57 mm (2-1/4")			
	à 45°	40 mm (1-9/16")			
	à 50°	36 mm (1-7/16")			
Vitesse à vide (T/MIN)		3 700 /min			
Longueur totale		347 mm (13-5/8")			
Poids net		3,2 kg (7,1 lbs)	3,5 kg (7,6 lbs)	3,1 kg (6,8 lbs)	3,3 kg (7,3 lbs)
Tension nominale		C.C. 18 V			
Batteries standard		BL1815N	BL1830/BL1840	BL1815N	BL1830/BL1840

• Étant donné l'évolution constante de notre programme de recherche et de développement, les spécifications contenues dans ce manuel sont sujettes à modification sans préavis.

• Les caractéristiques techniques et la batterie peuvent varier suivant les pays.

• Poids, batterie comprise, conforme à la procédure EPTA de 01/2003

GEA006-2

## Consignes de sécurité générales pour outils électriques

**⚠ MISE EN GARDE** Veuillez lire toutes les mises en garde de sécurité et toutes les instructions. L'ignorance des mises en garde et des instructions comporte un risque de choc électrique, d'incendie et/ou de blessure grave.

## Conservez toutes les mises en garde et instructions pour référence future.

Le terme « outil électrique » qui figure dans les avertissements fait référence à un outil électrique branché sur une prise de courant (par un cordon d'alimentation) ou alimenté par batterie (sans fil).

### Sécurité de la zone de travail

1. **Maintenez la zone de travail propre et bien éclairée.** Les zones de travail encombrées ou sombres ouvrent grande la porte aux accidents.
2. **N'utilisez pas les outils électriques dans les atmosphères explosives, par exemple en présence de liquides, gaz ou poussières inflammables.** Les outils électriques produisent des étincelles au contact desquelles la poussière ou les vapeurs peuvent s'enflammer.
3. **Assurez-vous qu'aucun enfant ou curieux ne s'approche pendant que vous utilisez un outil électrique.** Vous risquez de perdre la maîtrise de l'outil si votre attention est détournée.

### Sécurité en matière d'électricité

4. **Les fiches d'outil électrique sont conçues pour s'adapter parfaitement aux prises de courant. Ne modifiez jamais la fiche de quelque façon que ce soit. N'utilisez aucun adaptateur de fiche sur les outils électriques avec mise à la terre.** En ne modifiant pas les fiches et en les insérant dans des prises de courant pour lesquelles elles ont été conçues vous réduirez les risques de choc électrique.
5. **Évitez tout contact corporel avec les surfaces mises à la terre, telles que les tuyaux, radiateurs, cuisinières et réfrigérateurs.** Le risque de choc électrique est plus élevé si votre corps se trouve mis à la terre.
6. **N'exposez pas les outils électriques à la pluie ou à l'eau.** La présence d'eau dans un outil électrique augmente le risque de choc électrique.
7. **Ne maltraitez pas le cordon. N'utilisez jamais le cordon pour transporter, tirer ou débrancher l'outil électrique. Maintenez le cordon à l'écart des sources de chaleur, de l'huile, des objets à bords tranchants et des pièces en mouvement.** Le risque de choc électrique est plus élevé lorsque les cordons sont endommagés ou enchevêtrés.
8. **Lorsque vous utilisez un outil électrique à l'extérieur, utilisez un cordon prolongateur prévu à cette fin.** Les risques de choc électrique sont moindres lorsqu'un cordon conçu pour l'extérieur est utilisé.
9. **Si vous devez utiliser un outil électrique dans un endroit humide, utilisez une source d'alimentation protégée par un disjoncteur de fuite à la terre.** L'utilisation d'un disjoncteur de fuite à la terre réduit le risque de choc électrique.



## Sécurité personnelle

10. **Restez alerte, attentif à vos mouvements et faites preuve de bon sens lorsque vous utilisez un outil électrique. Évitez d'utiliser un outil électrique si vous êtes fatigué ou si vous avez pris une drogue, de l'alcool ou un médicament.** Un moment d'inattention pendant l'utilisation d'un outil électrique peut entraîner une grave blessure.
  11. **Portez des dispositifs de protection personnelle. Portez toujours un protecteur pour la vue.** Les risques de blessure seront moins élevés si vous utilisez des dispositifs de protection tels qu'un masque antipoussières, des chaussures à semelle antidérapante, une coiffure résistante ou une protection d'oreilles.
  12. **Évitez les démarrages accidentels. Assurez-vous que l'interrupteur soit en position d'arrêt avant de brancher l'outil à la prise électrique et/ou au bloc-piles, avant de prendre ou de transporter l'outil.** Vous ouvrez la porte aux accidents si vous transportez les outils électriques avec le doigt sur l'interrupteur ou si vous les branchez alors que l'interrupteur est en position de marche.
  13. **Retirez toute clé de réglage ou de serrage avant de mettre l'outil sous tension.** Toute clé laissée en place sur une pièce rotative de l'outil électrique peut entraîner une blessure.
  14. **Maintenez une bonne position. Assurez-vous d'une bonne prise au sol et d'une bonne position d'équilibre en tout temps.** Cela vous permettra d'avoir une meilleure maîtrise de l'outil dans les situations imprévues.
  15. **Portez des vêtements adéquats. Ne portez ni vêtements amples ni bijoux. Vous devez maintenir cheveux, vêtements et gants à l'écart des pièces en mouvement.** Les pièces en mouvement peuvent happer les vêtements amples, les bijoux et les cheveux longs.
  16. **Si des accessoires sont fournis pour raccorder un appareil d'aspiration et de collecte de la poussière, assurez-vous qu'ils sont correctement raccordés et qu'ils sont utilisés de manière adéquate.** L'utilisation d'un appareil d'aspiration permet de réduire les risques liés à la présence de poussière dans l'air.
- ## Utilisation et entretien des outils électriques
17. **Ne forcez pas l'outil électrique. Utilisez l'outil électrique adéquat suivant le type de travail à effectuer.** Si vous utilisez l'outil électrique adéquat et respectez le régime pour lequel il a été conçu, il effectuera un travail de meilleure qualité et de façon plus sécuritaire.
  18. **N'utilisez pas l'outil électrique s'il n'est pas possible de mettre sa gâchette en position de marche et d'arrêt.** Un outil électrique dont l'interrupteur est défectueux représente un danger et doit être réparé.
  19. **Débranchez la fiche de la source d'alimentation et/ou retirez le bloc-piles de l'outil électrique avant d'effectuer tout réglage, de changer un accessoire ou de ranger l'outil électrique.** De telles mesures préventives réduisent les risques de démarrage accidentel de l'outil électrique.
  20. **Après l'utilisation d'un outil électrique, rangez-le hors de portée des enfants et ne laissez aucune personne l'utiliser si elle n'est pas familiarisée avec l'outil électrique ou les présentes instructions d'utilisation.** Les outils électriques représentent un danger entre les mains de personnes qui n'en connaissent pas le mode d'utilisation.
  21. **Veillez à l'entretien des outils électriques. Assurez-vous que les pièces mobiles ne sont pas désalignées ou coincées, qu'aucune pièce n'est cassée et que l'outil électrique n'a subi aucun dommage affectant son bon fonctionnement. Le cas échéant, faites réparer l'outil électrique avant de l'utiliser.** De nombreux accidents sont causés par des outils électriques mal entretenus.
  22. **Maintenez les outils tranchants bien aiguisés et propres.** Un outil tranchant dont l'entretien est effectué correctement et dont les bords sont bien aiguisés risquera moins de se coincer et sera plus facile à maîtriser.
  23. **Utilisez l'outil électrique, ses accessoires, ses embouts, etc., en respectant les présentes instructions, en tenant compte des conditions de travail et du type de travail à effectuer.** L'utilisation d'un outil électrique à des fins autres que celles prévues peut entraîner une situation dangereuse.
- ## Utilisation et entretien des outils alimentés par batterie
24. **Pour recharger, utilisez uniquement le chargeur spécifié par le fabricant.** L'utilisation d'un chargeur conçu pour un type donné de bloc-piles comporte un risque d'incendie lorsqu'il est utilisé avec un autre type de bloc-piles.
  25. **N'utilisez un outil électrique qu'avec le bloc-piles conçu spécifiquement pour cet outil.** Il y a un risque de blessure ou d'incendie si un autre bloc-piles est utilisé.
  26. **Lorsque vous n'utilisez pas le bloc-piles, rangez-le à l'écart des objets métalliques tels que trombones, pièces de monnaie, clés, clous, vis ou autres petits objets métalliques qui risquent d'établir une connexion entre les bornes.** La mise en court-circuit des bornes de batterie peut causer des brûlures ou un incendie.
  27. **Dans des conditions d'utilisation inadéquates de la batterie, il peut y avoir fuite d'électrolyte; évitez tout contact avec ce liquide. En cas de contact accidentel, rincez avec beaucoup d'eau. Si le**

liquide pénètre dans vos yeux, il faut aussi consulter un médecin. L'électrolyte qui s'échappe de la batterie peut causer des irritations ou des brûlures.

#### Réparation

28. **Faites réparer votre outil électrique par un réparateur qualifié qui utilise des pièces de rechange identiques aux pièces d'origine.** Le maintien de la sûreté de l'outil électrique sera ainsi assuré.
29. **Suivez les instructions de lubrification et de changement des accessoires.**
30. **Maintenez les poignées de l'outil sèches, propres et exemptes d'huile ou de graisse.**

GEB120-2

## CONSIGNES DE SÉCURITÉ POUR LA SCIE CIRCULAIRE SANS FIL

### Procédures de coupe

1. **⚠ DANGER : N'approchez pas les mains de la zone de coupe ou de la lame. Gardez l'autre main sur la poignée auxiliaire ou sur le carter du moteur.** En tenant la scie avec vos deux mains, vous mettez celles-ci à l'abri de la lame.
2. **N'étendez pas la main sous la pièce.** Le protecteur ne peut pas vous protéger contre la lame sous la pièce.
3. **Ajustez la profondeur de coupe en fonction de l'épaisseur de la pièce.** La partie de la lame visible sous la pièce doit être inférieure à une dent de lame complète.
4. **Ne maintenez jamais le matériau à scier dans vos mains ou sur votre jambe. Immobilisez la pièce sur une surface stable.** Il est important de soutenir adéquatement la pièce afin de minimiser l'exposition du corps, les coincements de lame ou les pertes de maîtrise.

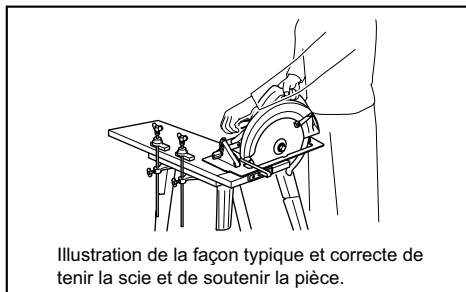


Illustration de la façon typique et correcte de tenir la scie et de soutenir la pièce.

000161

5. **Tenez uniquement l'outil électrique par ses surfaces de prise isolées pendant toute opération où l'outil de coupe pourrait venir en contact avec un câblage dissimulé.** En cas de

contact avec un conducteur sous tension, les pièces métalliques à découvert de l'outil deviendraient également sous tension et risqueraient de transmettre une décharge à l'utilisateur.

6. **Lors du sciage en long, utilisez toujours un garde parallèle ou un guide de coupe rectiligne.** Cela améliore la précision de la coupe et réduit le risque de coincement de la lame.
7. **Employez toujours une lame de diamètre approprié et dont le trou central est de forme correcte (angulaire ou ronde).** Une lame dont le trou ne correspond pas à la forme du moyeu de fixation de la scie risque de tourner de façon excentrique et de vous faire perdre la maîtrise de l'outil.
8. **N'utilisez jamais de rondelles ou boulons endommagés ou inadéquats pour fixer la lame.** Les rondelles et le boulon ont été conçus spécialement pour votre scie, afin d'assurer un fonctionnement optimal et un travail sécuritaire.

### Causes du recul et avertissements connexes

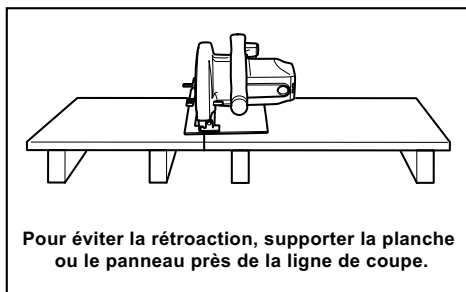
- le recul est une réaction soudaine survenant lorsque la lame, coincée, pincée ou mal alignée devient incontrôlable, se soulève hors de la pièce et se dirige vers l'utilisateur ;
- lorsque la lame se trouve coincée ou pincée par le trait de scie qui se referme sur elle, elle se bloque et une réaction du moteur entraîne alors l'outil rapidement vers l'utilisateur ;
- si la lame se tord ou se désaligne par rapport à la ligne de coupe, les dents arrière risquent de s'enfoncer dans la surface du bois et la lame de quitter le trait de scie en reculant brusquement vers l'utilisateur.

Le recul est le résultat d'une utilisation inadéquate de la scie et/ou de procédures ou conditions d'utilisation incorrectes ; on peut l'éviter en prenant des précautions adéquates, indiquées ci-dessous.

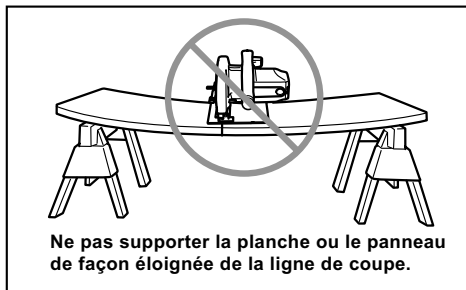
9. **Maintenez une prise ferme à deux mains sur la scie, et placez vos bras de manière à pouvoir résister à la force exercée lors des reculs. Posez votre corps d'un côté ou de l'autre de la lame, jamais dans sa ligne de coupe.** Un recul peut faire sauter la scie vers l'arrière, mais l'utilisateur pourra maîtriser la force exercée par ce recul s'il prend les précautions nécessaires.
10. **Lorsque la lame se coince ou lorsque vous interrompez la coupe pour une raison quelconque, libérez la gâchette et gardez la scie immobile dans le matériau jusqu'à ce que la lame s'arrête parfaitement. N'essayez jamais de retirer la scie de la pièce ou de faire reculer la scie pendant que la lame tourne, autrement il y a risque de choc recul.** Identifiez

la cause du coincement de la lame et prenez les mesures correctives pour éliminer le problème.

11. **Avant de faire redémarrer la scie dans la pièce, centrez la lame dans le trait de scie et assurez-vous que les dents de la lame ne mordent pas déjà dans le matériau.** Si la lame est coincée, elle risque de remonter dans le trait de scie ou de causer un recul au moment du redémarrage de la scie.
12. **Les grands panneaux doivent être soutenus pour minimiser les risques de recul causé par le coincement de la lame.** Les grands panneaux ont tendance à s'affaisser sous leur propre poids. Des supports doivent être installés sous le panneau, des deux côtés, près de la ligne de coupe et près du bord du panneau.



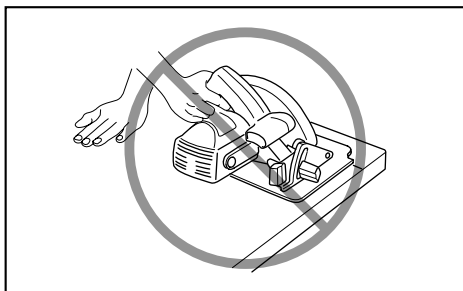
000192



014252

13. **N'utilisez jamais les lames émoussées ou endommagées.** Les lames mal affûtées ou mal avoyées produisent un trait de scie étroit qui donne lieu à un frottement excessif, au coincement de la lame et à un recul.
14. **Avant d'effectuer la coupe, les leviers de verrouillage de la profondeur de coupe et de la coupe en biseau doivent être fermement serrés.** Il y a risque de pincement et de recul si les réglages de la lame se modifient pendant coupe.

15. **Soyez particulièrement prudent lors des coupes dans une cloison existante ou tout autre matériau dont l'arrière n'est pas visible.** La lame pourrait rencontrer un objet dur, ce qui provoquerait un recul.
16. **Tenez TOUJOURS l'outil fermement à deux mains. Ne placez JAMAIS vos mains ou vos doigts derrière la scie.** En cas de choc en retour, la scie pourrait alors bondir vers votre main et causer une blessure grave.



17. **Ne forcez jamais la scie. Poussez la scie vers l'avant à une vitesse permettant à la lame de couper sans ralentir.** Le fait de forcer la scie peut causer une coupe inégale, une perte de précision ou un recul.

#### Fonction du protecteur inférieur

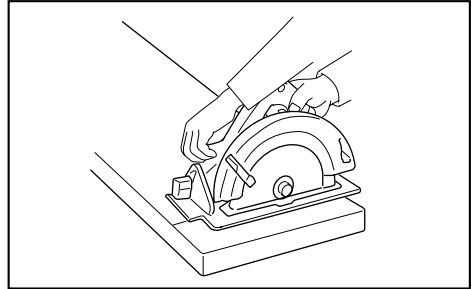
18. **Avant chaque utilisation, assurez-vous que le protecteur inférieur se referme bien. N'utilisez pas la scie si le protecteur inférieur ne se déplace pas librement et ne se referme pas instantanément. N'immobilisez ou ne fixez jamais le protecteur inférieur en position ouverte.** Le protecteur inférieur risque de plier si la scie est échappée par accident. Soulevez le protecteur inférieur à l'aide de la poignée de rappel et assurez-vous qu'il se déplace librement et n'entre pas en contact avec la lame ni toute autre pièce, quel que soit l'angle et la profondeur de coupe.
19. **Vérifiez le fonctionnement du ressort du protecteur inférieur. Le protecteur et le ressort doivent être réparés avant l'utilisation s'ils ne fonctionnent pas correctement.** Le fonctionnement du protecteur inférieur peut être ralenti par des pièces endommagées, des dépôts collants ou l'accumulation de débris.
20. **Le protecteur inférieur ne doit être escamoté manuellement que pour des coupes particulières comme les « coupes en plongée » et les « coupes composées ».** Soulevez le protecteur inférieur à l'aide de la poignée de

**rappel et libérez le protecteur inférieur dès que la lame pénètre dans le matériau.** Pour toute autre opération de sciage, le protecteur inférieur devrait fonctionner automatiquement.

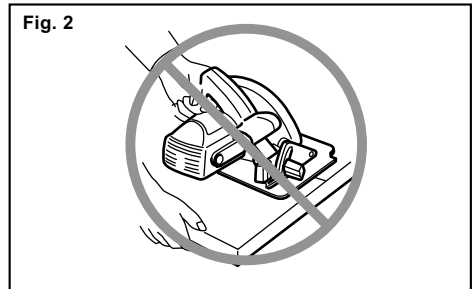
21. **Assurez-vous toujours que le protecteur inférieur couvre bien la lame avant de déposer l'outil sur l'établi ou sur le sol.** Si la lame n'est pas protégée et n'a pas fini de tourner, elle entraînera la scie vers l'arrière en coupant tout sur son passage. Soyez conscient du temps nécessaire pour que la lame s'arrête après que vous avez relâché la gâchette.
22. **Pour vérifier le protecteur inférieur, ouvrez-le à la main, puis relâchez-le et observez sa fermeture. Vérifiez également que la poignée de rappel ne touche pas le boîtier de l'outil.** Laisser la lame à découvert est TRÈS DANGEREUX et comporte un risque de blessure grave.

#### Consignes de sécurité supplémentaires

23. **Utilisation prévue**  
**Cet outil est exclusivement destiné à la coupe du bois.** Si des copeaux d'autres matériaux s'accumulent sur le protecteur inférieur et le moyeu, cela peut affecter la bonne fermeture du protecteur inférieur et cela pourrait causer de graves blessures.
24. **Redoublez de prudence lorsque vous coupez du bois humide, du bois traité sous pression ou du bois qui contient des nœuds.** Adoptez une vitesse de coupe de telle sorte que l'outil continue d'avancer en douceur, sans que la vitesse de la lame ne diminue, pour éviter la surchauffe de la pointe de la lame.
25. **N'essayez pas de retirer le matériau coupé pendant que la lame tourne. Attendez que la lame s'arrête avant de retirer le matériau coupé.** Les lames tournent en roue libre après la mise hors tension.
26. **Prenez garde aux clous lors de la coupe. Avant la coupe, vérifiez la présence de clous dans le bois et retirez-les le cas échéant.**
27. **Placez la base de la scie sur la partie de la pièce qui est solidement soutenue, non sur celle qui tombera une fois la coupe terminée. À titre d'exemples, la Fig. 1 illustre la BONNE façon de couper l'extrémité d'une planche, tandis que la Fig. 2 illustre la MAUVAISE façon de procéder.** Si la pièce est courte ou petite, installez-la dans un dispositif de serrage. **N'ESSAYEZ PAS DE TENIR LES COURTES PIÈCES UNIQUEMENT AVEC LA MAIN !**

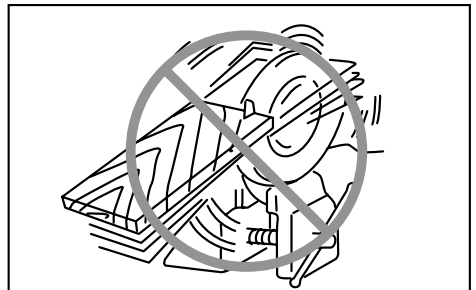


000163



000190

28. **Avant de déposer l'outil une fois la coupe terminée, assurez-vous que le protecteur inférieur s'est refermé et que la lame s'est complètement arrêtée de tourner.**
29. **Ne tentez jamais de scier en plaçant la scie la tête en bas dans un étau. Cela est très dangereux et peut entraîner de graves accidents.**



000029

30. **Certains matériaux contiennent des produits chimiques qui peuvent être toxiques. Prenez les précautions nécessaires pour éviter l'inhalation de ces poussières ou leur contact avec la peau. Conformez-vous aux consignes de sécurité du fournisseur du matériau.**

31. **N'appliquez jamais une pression latérale sur la lame pour l'arrêter.**
32. **N'utilisez aucune meule abrasive.**
33. **N'utilisez que la lame dont le diamètre correspond aux indications données sur l'outil ou dans le manuel.** L'utilisation d'une lame d'une taille incorrecte peut affecter la protection de la lame ou le fonctionnement du protecteur et cela pourrait causer de graves blessures.
34. **Maintenez la lame affûtée et propre.** Les dépôts de colle et les copeaux de bois durcis sur la lame ralentissent la scie et augmentent les risques de recul. Pour nettoyer la lame, retirez-la d'abord de l'outil, puis utilisez un décapant, de l'eau chaude ou du kérosène pour retirer la colle et les copeaux. N'utilisez jamais d'essence.
35. **Portez un masque antipoussières et des protections d'oreilles lorsque vous utilisez l'outil.**

## CONSERVEZ CE MODE D'EMPLOI.

### ⚠ AVERTISSEMENT:

**NE VOUS LAISSEZ PAS tromper** (au fil d'une utilisation répétée) par un sentiment d'aisance ou de familiarité avec le produit en négligeant les consignes de sécurité qui accompagnent le produit. L'utilisation non sécuritaire ou incorrecte de cet outil comporte un risque de blessure grave.

USD301-1

## Symboles

Les symboles utilisés pour l'outil sont indiqués ci-dessous.

- |                |                                   |
|----------------|-----------------------------------|
| V              | · volts                           |
| — — —          | · courant continu                 |
| n <sub>0</sub> | · vitesse à vide                  |
| ... /min       | · tours ou alternances par minute |
| r /min         |                                   |

ENC007-8

## CONSIGNES DE SÉCURITÉ IMPORTANTES

### POUR LA BATTERIE

1. **Avant d'utiliser la batterie, lisez toutes les instructions et précautions relatives (1) au chargeur de batterie, (2) à la batterie, et (3) à l'outil utilisant la batterie.**
2. **Ne démontez pas la batterie.**

3. **Cessez immédiatement l'utilisation si le temps de fonctionnement devient excessivement court.** Il y a risque de surchauffe, de brûlures, voire d'explosion.
4. **Si l'électrolyte pénètre dans vos yeux, rincez-les à l'eau claire et consultez immédiatement un médecin.** Il y a risque de perte de la vue.
5. **Ne court-circuitez pas la batterie :**
  - (1) **Ne touchez les bornes avec aucun matériau conducteur.**
  - (2) **Évitez de ranger la batterie dans un conteneur avec d'autres objets métalliques, par exemple des clous, des pièces de monnaie, etc.**
  - (3) **Évitez d'exposer la batterie à l'eau ou à la pluie.**

Un court-circuit de la batterie pourrait provoquer un fort courant, une surchauffe, parfois des brûlures et même une panne.

6. **Ne rangez pas l'outil ou la batterie dans des endroits où la température risque d'atteindre ou de dépasser 50 ° C (122 ° F).**
7. **Ne jetez pas la batterie au feu même si elle est sérieusement endommagée ou complètement épuisée.** La batterie peut exploser au contact du feu.
8. **Prenez garde d'échapper ou de heurter la batterie.**
9. **N'utilisez pas une batterie si elle est endommagée.**
10. **Suivez la réglementation locale concernant la mise au rebut de la batterie.**

## CONSERVEZ CE MODE D'EMPLOI.

### Conseils pour obtenir la durée de service maximale de la batterie

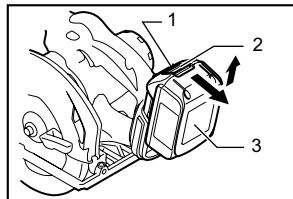
1. **Rechargez la batterie avant qu'elle ne soit complètement déchargée.** Arrêtez toujours l'outil et rechargez la batterie quand vous remarquez que la puissance de l'outil diminue.
2. **Ne rechargez jamais une batterie complètement chargée.** La surcharge réduit la durée de service de la batterie.
3. **Rechargez la batterie à une température ambiante comprise entre 10 ° C et 40 ° C (50 ° F - 104 ° F).** Si la batterie est chaude, laissez-la refroidir avant de la recharger.
4. **Rechargez la batterie tous les six mois si l'appareil n'est pas utilisé pendant de longues périodes.**

## DESCRIPTION DU FONCTIONNEMENT

### ⚠ATTENTION:

- Assurez-vous toujours que l'outil est hors tension et que sa batterie est retirée avant de l'ajuster ou de vérifier son fonctionnement.

### Installation ou retrait de la batterie



012142

1. Indicateur rouge
2. Bouton
3. Batterie

### ⚠ATTENTION:

- Mettez toujours l'appareil hors tension avant d'installer ou de retirer la batterie.
- Tenez fermement l'outil et la batterie lors de l'installation ou du retrait de cette dernière.** Sinon, l'outil et la batterie pourraient vous glisser des mains, ce qui risque d'endommager l'outil et la batterie, ou encore de provoquer des blessures.

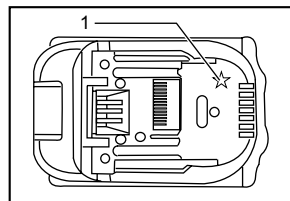
Pour retirer la batterie, faites-la glisser de l'outil tout en faisant glisser le bouton se trouvant à l'avant.

Pour installer la batterie, alignez sa languette sur la rainure pratiquée dans le boîtier, et glissez la batterie en place. Insérez-la à fond jusqu'à ce que vous entendiez un clic. Si vous pouvez voir l'indicateur rouge situé sur le dessus du bouton, la batterie n'est pas complètement verrouillée.

### ⚠ATTENTION:

- Installez toujours la batterie à fond jusqu'à ce que vous ne puissiez plus voir l'indicateur rouge. Dans le cas contraire, elle pourrait tomber de l'outil et entraîner des blessures.
- Ne forcez pas sur la batterie pour l'installer. Si la batterie ne glisse pas facilement, c'est qu'elle n'est pas insérée correctement.

## Système de protection de la batterie (batterie lithium-ion marquée d'une étoile)



1. Étoile

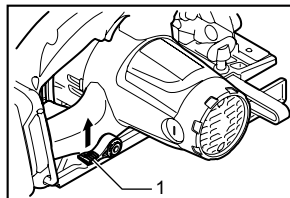
012128

Les batteries lithium-ion marquées d'une étoile sont équipées d'un système de protection. Ce système coupe automatiquement l'alimentation de l'outil pour augmenter la durée de vie de la batterie.

L'outil s'arrête automatiquement pendant l'utilisation lorsque l'outil et/ou la batterie sont dans l'une des situations suivantes :

- En surcharge :  
L'outil est utilisé d'une manière entraînant une consommation anormale de courant. Dans cette situation, relâchez la gâchette et arrêtez l'activité qui entraîne une surcharge de l'outil. Puis appuyez de nouveau sur la gâchette pour redémarrer. Si l'outil ne démarre pas, la batterie est en surchauffe. Dans cette situation, laissez refroidir la batterie avant d'appuyer de nouveau sur la gâchette.
- Tension de la batterie faible :  
La capacité restante de la batterie est trop faible pour que l'outil puisse fonctionner. Dans cette situation, retirez et rechargez la batterie.

## Réglage de la profondeur de coupe



1. Levier

006701

### ⚠ATTENTION:

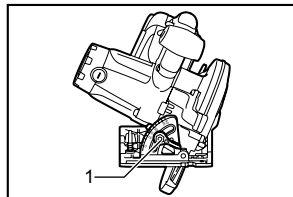
- Après avoir ajusté la profondeur de coupe, serrez toujours fermement le levier.

Desserrez le levier latéral de la poignée arrière puis déplacez la base vers le haut ou le bas. À la profondeur de coupe désirée, fixez la base en serrant le levier.

Pour obtenir des coupes plus propres et sans danger, réglez la profondeur de coupe de sorte que pas plus

d'une dent de lame ne dépasse sous la pièce. L'utilisation d'une profondeur de coupe adéquate aide à réduire les risques de chocs en retour dangereux qui peuvent causer des blessures.

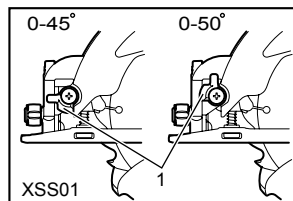
### Coupe en biseau



1. Levier

006702

#### Pour le modèle XSS01



1. Butoir

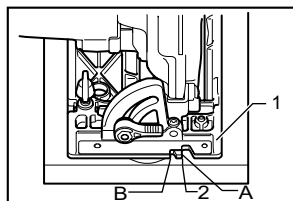
013951

Desserrez le levier sur la plaque graduée de coupe en biseau sur la semelle avant. Réglez à l'angle désiré (0° - 50°) en inclinant au besoin et serrez fermement le levier. Utilisez le butoir à 45° lorsque votre réglage de précision pour la coupe est de 45°. Tournez à fond le butoir en tournant dans le sens contraire des aiguilles d'une montre pour une coupe en biseau (0° - 45°) et tournez-le dans le sens des aiguilles d'une montre pour réaliser une coupe en biseau de 0° - 50°.

#### Pour le modèle XSS02

Desserrez le levier sur la plaque graduée de coupe en biseau sur la semelle avant. Réglez à l'angle désiré (0° - 50°) en inclinant au besoin et serrez fermement le levier.

### Visée

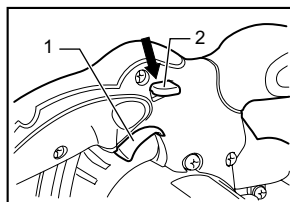


1. Base  
2. Ligne de coupe

006704

Pour les coupes rectilignes, alignez sur la ligne de coupe la position A à l'avant de la base. Pour les coupes en biseau de 45°, alignez la position B sur la ligne de coupe.

### Interrupteur



1. Gâchette  
2. Levier de sécurité

006705

#### ⚠ATTENTION:

- Avant d'insérer la batterie dans l'outil, vérifiez toujours que la gâchette fonctionne bien et revient en position d'arrêt lorsque relâchée.
- N'appuyez pas fortement sur la gâchette avant d'avoir enfoncé le levier de déverrouillage. Vous risqueriez de casser l'interrupteur.

Un levier de déverrouillage a été prévu pour prévenir l'activation accidentelle de la gâchette. Pour faire démarrer l'outil, enfoncez le levier de déverrouillage puis appuyez sur la gâchette. Pour arrêter l'outil, libérez la gâchette.

#### ⚠AVERTISSEMENT:

- Pour votre sécurité, cet outil est équipé d'un levier de déverrouillage qui prévient le démarrage accidentel de l'outil. NE JAMAIS utiliser l'outil s'il se met en marche lorsque vous appuyez simplement sur la gâchette sans avoir tiré sur le levier de déverrouillage. Retournez l'outil à un centre de service après-vente Makita pour le faire réparer AVANT toute nouvelle utilisation.
- Le levier de déverrouillage ne doit JAMAIS être immobilisé avec du ruban adhésif, ni modifié.

### Frein électrique

#### Pour le modèle XSS01 seulement

Cet outil est équipé d'un frein à lame électrique. Si à plusieurs reprises l'outil ne s'arrête pas rapidement après le relâchement de la gâchette, faites-le réparer dans un centre de service après-vente Makita.

Le mécanisme de frein à lame ne doit pas être utilisé en remplacement du garde inférieur. N'UTILISEZ JAMAIS L'OUTIL LORSQUE LE GARDE INFÉRIEUR NE FONCTIONNE PAS. CELA COMPORTE DES RISQUES DE BLESSURE GRAVE.

### Allumage de la lampe

#### Pour le modèle XSS01 seulement

#### ⚠ATTENTION:

- Evitez de regarder directement le faisceau lumineux ou sa source.

Pour allumer la lumière sans faire démarrer l'outil, appuyez sur la gâchette sans appuyer sur le levier de déverrouillage. Pour allumer la lumière et faire démarrer l'outil, appuyez sur le levier de déverrouillage et appuyez sur la gâchette alors que le levier de verrouillage est enfoncé.

#### NOTE:

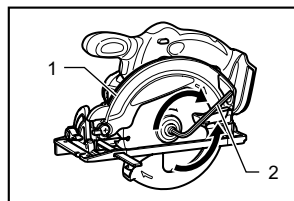
- Utilisez un chiffon sec pour essuyer la saleté qui recouvre la lentille de la lampe. Prenez garde de rayer la lentille de la lampe, pour éviter une diminution de l'éclairage.
- Ne pas utiliser d'essence, de diluant ni aucun liquide similaire pour nettoyer la lentille de la lampe. L'utilisation de telles substances endommagerait la lentille.

## ASSEMBLAGE

### ⚠ ATTENTION:

- Assurez-vous toujours que l'outil est hors tension et que sa batterie est retirée avant d'effectuer tout travail dessus.

### Retrait ou pose de la lame



006706

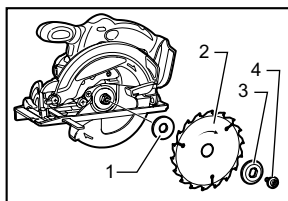
- Verrouillage de l'arbre
- Clé hexagonale

### ⚠ ATTENTION:

- Assurez-vous que la lame est installée avec les dents orientées vers le haut à l'avant de l'outil.
- Utilisez exclusivement une clé Makita pour installer ou retirer la lame.

Pour retirer la lame, appuyez sur le blocage de l'arbre de sorte que la lame ne puisse pas tourner et utilisez la clé pour desserrer le boulon hexagonal, dans le sens des aiguilles d'une montre. Retirez ensuite le boulon hexagonal, le flasque extérieur et la lame.

Pour poser la lame, suivez la procédure de retrait en sens inverse. **ASSUREZ-VOUS D'AVOIR FERMEMENT SERRÉ LE BOULON HEXAGONAL, DANS LE SENS INVERSE DES AIGUILLES D'UNE MONTRE.**

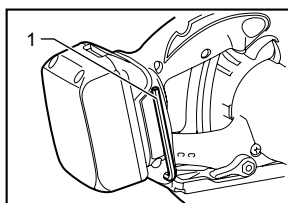


006707

- Bague interne
- Lame
- Bague externe
- Boulon hexagonal

Lors du changement de la lame, assurez-vous de nettoyer les copeaux présents sur les protecteurs de lame supérieur et inférieur, comme indiqué dans la section Entretien. Il est également nécessaire de vérifier le fonctionnement du protecteur inférieur avant chaque utilisation.

### Rangement de la clé hexagonale

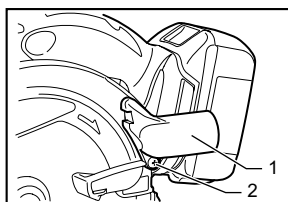


006708

- Clé hexagonale

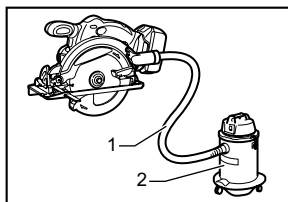
Lorsque vous n'utilisez pas la clé hexagonale, rangez-la de la façon indiquée sur l'illustration pour éviter de l'égarer.

### Raccordement à un aspirateur



006711

- Raccord à poussières
- Vis



006712

- Tuyau
- Aspirateur

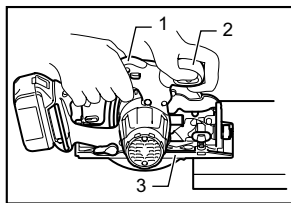
Lorsque vous désirez effectuer un travail de coupe plus propre, raccordez un aspirateur Makita à votre outil. Installez le raccord à poussières sur l'outil à l'aide de la vis. Raccordez ensuite le tuyau de l'aspirateur au raccord à poussières, tel qu'indiqué sur la figure.



## UTILISATION

### ⚠ ATTENTION:

- Insérez toujours la batterie jusqu'au fond, jusqu'à ce qu'elle verrouille en place. Si vous pouvez voir la partie rouge de la face supérieure du bouton, la batterie n'est pas parfaitement verrouillée. Insérez-la à fond, jusqu'à ce que la partie rouge ne soit plus visible. Sinon, elle risque de tomber accidentellement de l'outil, en vous blessant ou en blessant une personne se trouvant près de vous.
- Assurez-vous de déplacer l'outil doucement vers l'avant, en ligne droite. Le fait de forcer ou de tordre l'outil entraînera une surchauffe du moteur et un dangereux choc en retour, risquant de provoquer une blessure grave.
- Si l'outil est utilisé de manière continue jusqu'à ce que la batterie soit déchargée, laissez-le reposer 15 minutes avant de poursuivre l'opération avec une batterie fraîche.



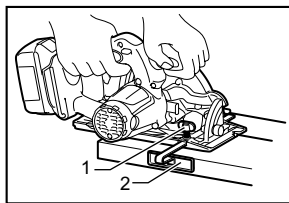
1. Poignée arrière
2. Poignée avant
3. Base

006709

Tenez l'outil fermement. L'outil est équipé d'une poignée avant et d'une poignée arrière. Utilisez les deux poignées pour assurer la meilleure prise possible sur l'outil. De plus, lorsque la scie est saisie à deux mains, celles-ci ne risquent pas d'être coupées par la lame. Placez la base de l'outil sur la pièce à couper de sorte que la lame n'entre pas en contact avec quoi que ce soit. Mettez ensuite l'outil sous tension et attendez que la lame ait atteint sa pleine vitesse. Faites alors simplement avancer l'outil sur la surface de la pièce, en le maintenant de niveau et en le faisant avancer doucement jusqu'à ce que la coupe soit terminée.

Pour obtenir des coupes nettes, maintenez votre ligne de coupe bien droite et la vitesse de progression uniforme. Si la lame dévie de la ligne de coupe prévue, ne tentez pas de modifier la course de l'outil pour le forcer à revenir sur la ligne de coupe. Vous risqueriez de plier la lame et de provoquer un dangereux choc en retour pouvant causer une blessure grave. Relâchez la gâchette, attendez jusqu'à l'arrêt complet de la lame, puis retirez l'outil. Réalignez l'outil sur une nouvelle ligne de coupe, puis poursuivez la coupe. Évitez toute position vous exposant aux copeaux et sciures de bois éjectés par la scie. Portez des lunettes de protection pour réduire les risques de blessure.

## Garde parallèle (règle de guidage)



006710

Un garde parallèle pratique vous permet d'effectuer des coupes droites d'une extrême précision. Faites simplement glisser le garde parallèle le long du côté de la pièce en le maintenant en position à l'aide de la vis de serrage située à l'avant de la base. Cela permet également d'effectuer plusieurs coupes d'une largeur uniforme.

## ENTRETIEN

### ⚠ ATTENTION:

- Assurez-vous toujours que l'outil est hors tension et que la batterie est retirée avant d'y effectuer tout travail d'inspection ou d'entretien.
- **Nettoyez les protecteurs de lame supérieur et inférieur pour vous assurez qu'aucune accumulation de poussière ne risque de nuire au fonctionnement du système de protection inférieur.** La présence de saleté dans le système de protection peut nuire au fonctionnement adéquat et entraîner des blessures graves. La méthode plus efficace pour réaliser ce nettoyage consiste à utiliser l'air comprimé. **Si la poussière est retirée du protecteur par soufflage, assurez-vous d'utiliser une protection pour les yeux et un masque approprié.**
- N'utilisez jamais d'essence, de benzine, de solvant, d'alcool ou d'autres produits similaires. Une décoloration, une déformation, ou la formation de fissures peuvent en découler.

## Réglage de précision pour les coupes de 90° et 45° (coupes à angle droit et à 45°)

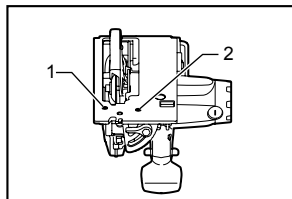
### Pour le modèle XSS01

Ce réglage est effectué en usine. S'il est désactivé, réajustez la vis de réglage au moyen d'une clé hexagonale, en vous assurant que la lame est à 90° ou 45° par rapport à la base, avec une règle triangulaire, une équerre de menuisier, etc.

## Réglage de précision pour la coupe à 90° (coupe verticale)

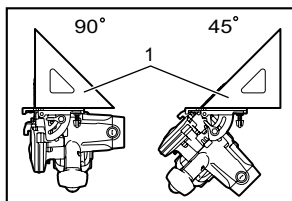
### Pour le modèle XSS02

Ce réglage est réalisé en usine. S'il se défait, ajustez la vis de réglage au moyen d'une clé hexagonale tout en mesurant l'angle de 90° de la lame par rapport à la base à l'aide d'une règle triangulaire, d'une équerre, etc.



013978

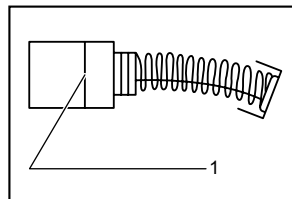
1. Réglage de la vis à 45° (XSS01 seulement)
2. Vis de réglage 90°



006714

1. Règle triangulaire

## Remplacement des charbons



001145

1. Trait de limite d'usure

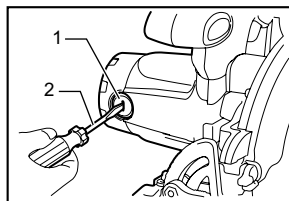
Retirez et vérifiez régulièrement les charbons. Remplacez-les lorsqu'ils sont usés jusqu'au trait de limite d'usure. Maintenez les charbons propres et en état de glisser aisément dans les porte-charbon. Les deux charbons doivent être remplacés en même temps. N'utilisez que des charbons identiques.

Utilisez un tournevis pour retirer les bouchons de porte-charbon. Enlevez les charbons usés, insérez-en de nouveaux et revissez solidement les bouchons de porte-charbon.

### Pour le modèle XSS01

Après avoir remplacé les charbons, insérez la batterie dans l'outil et rodez les brosses en faisant fonctionner l'outil à vide pendant environ 1 minute. Vérifiez ensuite le bon fonctionnement de l'outil, ainsi que l'activation du frein électrique lors du relâchement de la gâchette. Si le frein électrique ne fonctionne pas bien, faites une

demande de réparation auprès du centre de service après-vente Makita le plus près.



006715

1. Bouchon de porte-charbon
2. Tournevis

Pour maintenir la SÉCURITÉ et la FIABILITÉ du produit, les réparations, tout autre travail d'entretien ou de réglage doivent être effectués dans un centre de service Makita agréé ou un centre de service de l'usine Makita, exclusivement avec des pièces de rechange Makita.

## ACCESSOIRES EN OPTION

### ⚠ ATTENTION:

- Ces accessoires ou pièces complémentaires sont recommandés pour l'utilisation avec l'outil Makita spécifié dans ce mode d'emploi. L'utilisation de tout autre accessoire ou pièce complémentaire peut comporter un risque de blessure. N'utilisez les accessoires ou pièces qu'aux fins auxquelles ils ont été conçus.

Si vous désirez obtenir plus de détails concernant ces accessoires, veuillez contacter le centre de service après-vente Makita le plus près.

- Lames à dents de carbure de tungstène

Combinaison	Lame d'usage général pour effectuer rapidement et en douceur des coupes longitudinales, des coupes en travers et des coupes d'onglet.
-------------	---

006540

- Garde parallèle (règle de guidage)
- Clé hexagonale 5
- Raccord à poussières
- Chargeur et batterie authentiques Makita

### NOTE:

- Certains éléments de la liste peuvent être inclus avec l'outil comme accessoires standard. Ils peuvent varier suivant les pays.

---

## **GARANTIE LIMITÉE D'UN AN MAKITA**

### **Politique de garantie**

Chaque outil Makita est inspecté rigoureusement et testé avant sa sortie d'usine. Nous garantissons qu'il sera exempt de défaut de fabrication et de vice de matériau pour une période d'UN AN à partir de la date de son achat initial. Si un problème quelconque devait survenir au cours de cette période d'un an, veuillez retourner l'outil COMPLET, port payé, à une usine ou à un centre de service après-vente Makita. Makita réparera l'outil gratuitement (ou le remplacera, à sa discrétion) si un défaut de fabrication ou un vice de matériau est découvert lors de l'inspection.

Cette garantie ne s'applique pas dans les cas où:

- des réparations ont été effectuées ou tentées par un tiers:
- des réparations s'imposent suite à une usure normale:
- l'outil a été malmené, mal utilisé ou mal entretenu:
- l'outil a subi des modifications.

MAKITA DÉCLINE TOUTE RESPONSABILITÉ POUR TOUT DOMMAGE ACCESSOIRE OU INDIRECT LIÉ À LA VENTE OU À L'UTILISATION DU PRODUIT. CET AVIS DE NON-RESPONSABILITÉ S'APPLIQUE À LA FOIS PENDANT ET APRÈS LA PÉRIODE COUVERTE PAR CETTE GARANTIE.

MAKITA DÉCLINE TOUTE RESPONSABILITÉ QUANT À TOUTE GARANTIE TACITE, INCLUANT LES GARANTIES TACITES DE "QUALITÉ MARCHANDE" ET "ADÉQUATION À UN USAGE PARTICULIER" APRÈS LA PÉRIODE D'UN AN COUVERTE PAR CETTE GARANTIE.

Cette garantie vous donne des droits spécifiques reconnus par la loi, et possiblement d'autres droits, qui varient d'un État à l'autre. Certains États ne permettant pas l'exclusion ou la limitation des dommages accessoires ou indirects, il se peut que la limitation ou exclusion ci-dessus ne s'applique pas à vous. Certains États ne permettant pas la limitation de la durée d'application d'une garantie tacite, il se peut que la limitation ci-dessus ne s'applique pas à vous.

EN0006-1

## ESPECIFICACIONES

Modelo		XSS01		XSS02	
Diámetro del disco		165 mm (6-1/2")			
Profundidad de corte máxima	a 90°	57 mm (2-1/4")			
	a 45°	40 mm (1-9/16")			
	a 50°	36 mm (1-7/16")			
Velocidad sin carga (r.p.m.)		3 700 r/min			
Longitud total		347 mm (13-5/8")			
Peso neto		3,2 kg (7,1 lbs)	3,5 kg (7,6 lbs)	3,1 kg (6,8 lbs)	3,3 kg (7,3 lbs)
Tensión nominal		18 V c.c.			
Cartuchos de batería estándar		BL1815N	BL1830/BL1840	BL1815N	BL1830/BL1840

• Debido a nuestro programa continuo de investigación y desarrollo, las especificaciones aquí dadas están sujetas a cambios sin previo aviso.

• Las especificaciones y el cartucho de la batería pueden variar de país a país.

• Peso de acuerdo al procedimiento de EPTA-01/2003 incluyendo el cartucho de la batería

GEA006-2

## Advertencias de seguridad generales para herramientas eléctricas

**⚠ ADVERTENCIA:** lea todas las advertencias de seguridad e instrucciones. Si no sigue todas las advertencias e instrucciones indicadas a continuación, podrá ocasionar una descarga eléctrica, un incendio y/o lesiones graves.

## Guarde todas las advertencias e instrucciones para su futura referencia.

El término "herramienta eléctrica" se refiere, en todas las advertencias que aparecen a continuación, a su herramienta eléctrica de funcionamiento con conexión a la red eléctrica (con cableado eléctrico) o herramienta eléctrica de funcionamiento a batería (inalámbrica).

### Seguridad en el área de trabajo

1. **Mantenga el área de trabajo limpia y bien iluminada.** Las áreas oscuras o desordenadas son propensas a accidentes.
2. **No utilice las herramientas eléctricas en atmósferas explosivas, tal como en la presencia de líquidos, gases o polvo inflamables.** Las herramientas eléctricas crean chispas que pueden prender fuego al polvo o los humos.
3. **Mantenga a los niños y curiosos alejados mientras utiliza una herramienta eléctrica.** Las distracciones le pueden hacer perder el control.

### Seguridad eléctrica

4. **Las clavijas de conexión de las herramientas eléctricas deberán encajar perfectamente en la toma de corriente. No modifique nunca la clavija de conexión de ninguna forma. No utilice ninguna clavija adaptadora con herramientas eléctricas que tengan conexión a tierra (puesta a tierra).** La utilización de clavijas no modificadas y que encajen perfectamente en la toma de corriente reducirá el riesgo de que se produzca una descarga eléctrica.
5. **Evite tocar con el cuerpo superficies conectadas a tierra o puestas a tierra tales como tubos, radiadores, cocinas y refrigeradores.** Si su cuerpo es puesto a tierra o conectado a tierra existirá un mayor riesgo de que sufra una descarga eléctrica.
6. **No exponga las herramientas eléctricas a la lluvia ni a condiciones húmedas.** La entrada de agua en una herramienta eléctrica aumentará el riesgo de que se produzca una descarga eléctrica.
7. **No jale el cable. Nunca utilice el cable para transportar, jalar o desconectar la herramienta eléctrica. Mantenga el cable alejado del calor, aceite, objetos cortantes o piezas móviles.** Los cables dañados o atrapados aumentan el riesgo de sufrir una descarga eléctrica.
8. **Cuando utilice una herramienta eléctrica en exteriores, utilice un cable de extensión apropiado para uso en exteriores.** La utilización de un cable apropiado para uso en exteriores reducirá el riesgo de que se produzca una descarga eléctrica.
9. **Si no es posible evitar usar una herramienta eléctrica en condiciones húmedas, utilice un alimentador protegido con interruptor de**

**circuito de falla en tierra (ICFT).** El uso de un ICFT reduce el riesgo de descarga eléctrica.

#### **Seguridad personal**

10. **Manténgase alerta, preste atención a lo que está haciendo y utilice su sentido común cuando opere una herramienta eléctrica. No utilice la herramienta eléctrica cuando esté cansado o bajo la influencia de drogas, alcohol o medicamentos.** Un momento de distracción mientras opera la máquina puede dar como resultado heridas personales graves.
11. **Use equipo de protección personal. Póngase siempre protección para los ojos.** El equipo protector tal como máscara contra el polvo, zapatos de seguridad antiderrapantes, casco rígido y protección para oídos utilizado en las condiciones apropiadas reducirá las heridas personales.
12. **Impida el encendido accidental. Asegúrese de que el interruptor esté en la posición de apagado antes de conectar a la alimentación eléctrica y/o de colocar el cartucho de la batería, así como al levantar o cargar la herramienta.** Cargar las herramientas eléctricas con su dedo en el interruptor o enchufarlas con el interruptor encendido hace que los accidentes sean propensos.
13. **Retire cualquier llave de ajuste o llave de apriete antes de encender la herramienta.** Una llave de ajuste o llave de apriete que haya sido dejada puesta en una parte giratoria de la herramienta eléctrica podrá resultar en heridas personales.
14. **No utilice la herramienta donde no alcance. Mantenga los pies sobre suelo firme y el equilibrio en todo momento.** Esto permite un mejor control de la herramienta eléctrica en situaciones inesperadas.
15. **Use vestimenta apropiada. No use ropas sueltas ni joyas. Mantenga el cabello, la ropa y los guantes alejados de las piezas móviles.** Las prendas de vestir holgadas, las joyas y el cabello suelto podrían engancharse en estas piezas móviles.
16. **Si dispone de dispositivos para la conexión de equipos de extracción y recolección de polvo, asegúrese de conectarlos y utilizarlos debidamente.** La utilización de estos dispositivos reduce los riesgos relacionados con el polvo.

#### **Mantenimiento y uso de la herramienta eléctrica**

17. **No fuerce la herramienta eléctrica. Utilice la herramienta eléctrica correcta para su aplicación.** La herramienta eléctrica adecuada hará un trabajo mejor a la velocidad para la que ha sido fabricada.
18. **No utilice la herramienta eléctrica si el interruptor no la enciende y apaga.** Cualquier herramienta eléctrica que no pueda ser controlada con el interruptor es peligrosa y debe ser reemplazada.
19. **Desconecte la clavija de la fuente de energía y/o la batería de la herramienta eléctrica antes de realizar ajustes, cambiar accesorios o guardar las herramientas eléctricas.** Dichas medidas de seguridad preventivas reducen el riesgo de que la herramienta se inicie accidentalmente.
20. **Guarde la herramienta eléctrica que no use fuera del alcance de los niños y no permita que las personas que no están familiarizadas con ella o con las instrucciones la operen.** Las herramientas eléctricas son peligrosas en manos de personas que no saben operarlas.
21. **Realice el mantenimiento a las herramientas eléctricas. Compruebe que no haya partes móviles desalineadas o estancadas, piezas rotas y cualquier otra condición que pueda afectar al funcionamiento de la herramienta eléctrica.** Si la herramienta eléctrica está dañada, haga que se la reparen antes de utilizarla. Muchos accidentes son ocasionados por herramientas eléctricas con un mal mantenimiento.
22. **Mantenga las herramientas de corte limpias y filosas.** Si recibe un mantenimiento adecuado y tiene los bordes afilados, es probable que la herramienta se atasque menos y sea más fácil controlarla.
23. **Utilice la herramienta eléctrica, así como accesorios, piezas, brocas, etc. de acuerdo con estas instrucciones y de la manera establecida para cada tipo de unidad en particular; tenga en cuenta las condiciones laborales y el trabajo a realizar.** Si utiliza la herramienta eléctrica para realizar operaciones distintas de las indicadas, podrá presentarse una situación peligrosa.

#### **Uso y cuidado de la herramienta a batería**

24. **Realice la recarga sólo con el cargador especificado por el fabricante.** Un cargador que es adecuado para un solo tipo de batería puede generar riesgo de incendio al ser utilizado con otra batería.
25. **Utilice las herramientas eléctricas solamente con las baterías designadas específicamente para ellas.** La utilización de cualquier otra batería puede crear un riesgo de heridas o incendio.
26. **Cuando no se esté usando el cartucho de la batería, manténgalo alejado de otros objetos metálicos, como sujetapapeles (clips), monedas, llaves, clavos, tornillos u otros objetos pequeños de metal los cuales pueden actuar creando una conexión entre las terminales de la batería.** Cerrar el circuito las terminales de la batería puede causar quemaduras o incendios.

27. En condiciones abusivas, podrá escapar líquido de la batería; evite tocarlo. Si lo toca accidentalmente, enjuague con agua. Si hay contacto del líquido con los ojos, acuda por ayuda médica. Puede que el líquido expulsado de la batería cause irritación o quemaduras.

#### Servicio de mantenimiento

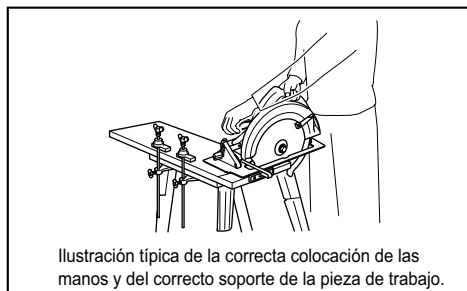
28. Haga que una persona calificada repare la herramienta utilizando sólo piezas de repuesto idénticas. Esto asegura que se mantenga la seguridad de la herramienta eléctrica.
29. Siga las instrucciones para la lubricación y cambio de accesorios.
30. Mantenga las agarraderas secas, limpias y sin aceite o grasa.

GEB120-2

## ADVERTENCIAS DE SEGURIDAD PARA LA CIERRA CIRCULAR A BATERÍA

### Procedimientos de corte

1. **⚠ PELIGRO:** Mantenga las manos alejadas del área de corte y del disco. Mantenga su segunda mano sobre el mango auxiliar o sobre el alojamiento del motor. Si ambas manos sujetan la sierra no pueden sufrir cortes del disco.
2. **Nunca meta la mano por debajo de la pieza de trabajo.** El protector no puede protegerle del disco debajo de la pieza de trabajo.
3. **Ajuste la profundidad de corte al grosor de la pieza de trabajo.** Debe verse menos de un diente completo por debajo de la pieza de trabajo.
4. **Nunca sujete la pieza que se está cortando con las manos ni entre las piernas.** Fije la pieza de trabajo a una plataforma estable. Es importante sujetar la pieza de trabajo correctamente para minimizar la exposición del cuerpo, el estancamiento del disco o la pérdida de control.



000161

5. **Sujete la herramienta eléctrica por las superficies de sujeción aisladas solamente al realizar una operación en la que la pieza cortadora pueda entrar en contacto con cables ocultos.** El contacto con un cable con corriente también electrificará las piezas metálicas expuestas de la herramienta eléctrica y el operario puede recibir una descarga.
6. **Cuando realice un corte longitudinal, utilice siempre un tope lateral o una guía de borde recto.** Esto mejora la precisión del corte y reduce la posibilidad de que el disco se atasque.
7. **Utilice siempre discos con orificios de husillo del tamaño y la forma (poligonal o redonda) correctos.** Los discos que no encajen con las piezas de montaje de la sierra girarán excéntricamente y producirán una pérdida de control.
8. **Nunca utilice arandelas o pernos de disco dañados o incorrectos.** El perno y las arandelas del disco se han diseñado específicamente para el mismo, para una seguridad y un rendimiento óptimos.

### Causas de los retrocesos y advertencias relacionadas

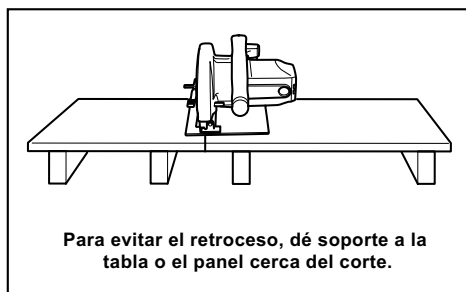
- un retroceso brusco es una reacción repentina provocada por un disco mal alineado, alabeado o mellado, que hace que una sierra se levante de forma incontrolada y se aleje de la pieza de trabajo hacia el operador;
- cuando el disco está mellado o aprisionado por la entalladura al cerrarse, se atasca y la reacción del motor empuja la unidad rápidamente hacia atrás, hacia el operador;
- si el disco se retuerce o está mal alineado en el corte, los dientes del borde posterior del disco pueden clavarse en la superficie posterior de la madera, haciendo que el disco escale la línea de corte y salte hacia el operador.

El retroceso es el resultado de un mal uso del disco o de condiciones o procedimientos de uso incorrectos y se puede evitar tomando las precauciones que se indican a continuación.

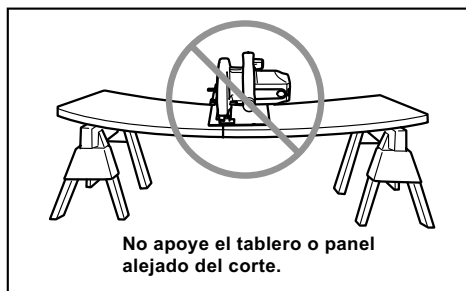
9. **Sujete la sierra firmemente con las dos manos y coloque sus brazos de forma que ofrezcan resistencia a la fuerza del retroceso. Coloque su cuerpo hacia cualquiera de los lados del disco, pero no en línea con él.** El retroceso puede provocar que la sierra salte hacia atrás; no obstante, el operador puede controlar la fuerza del retroceso si toma las precauciones adecuadas.
10. **Cuando note que el disco se atora, o cuando quiera interrumpir un corte por cualquier razón, suelte el gatillo y mantenga la sierra**

inmóvil en el material hasta que el disco se pare completamente. No intente nunca extraer el disco de la pieza de trabajo ni tirar de la sierra hacia atrás mientras el disco esté moviéndose porque podrá ocasionar un retroceso brusco. Investigue y tome medidas correctivas para eliminar la causa del atoramiento del disco.

11. Cuando vuelva a poner en marcha la sierra sobre la pieza de trabajo, centre la sierra en la entalladura y compruebe que sus dientes no estén en contacto con el material. Si el disco se traba, podrá haber un retroceso brusco o un avance en la pieza al reiniciar la sierra.
12. Sujete los paneles grandes para minimizar el riesgo de que el disco se estanque y de retroceso. Los paneles grandes tienden a hundirse bajo su propio peso. Deben colocarse soportes bajo el panel en ambos lados, cerca de la línea de corte y del borde del panel.



000192

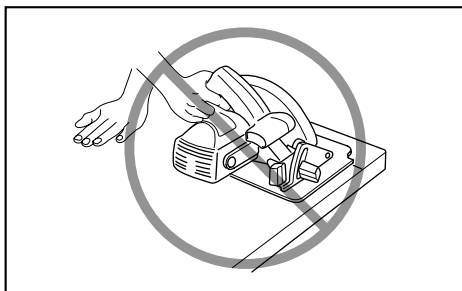


014252

13. No utilice discos dañados o desafilados. Los discos colocados incorrectamente o desafilados producen un corte más angosto y causan una fricción excesiva, que el disco se doble y retrocesos bruscos.
14. Las palancas de fijación de los ajustes de profundidad y de bisel del disco deben ser apretadas y aseguradas antes de realizar el

corte. Si el ajuste del disco cambia durante el corte, podrá ocasionar un atoramiento y retroceso brusco.

15. Tenga especial cuidado cuando realice cortes con sierra en paredes u otras áreas ciegas. El disco protuberante puede cortar objetos que pueden provocar retrocesos.
16. Sujete SIEMPRE la herramienta firmemente con ambas manos. No ponga NUNCA la mano ni los dedos detrás de la sierra. Si se produce un retroceso brusco, la sierra podrá saltar fácilmente hacia atrás sobre su mano, causándole graves heridas personales.



17. Nunca fuerce la sierra. Empuje la sierra hacia adelante a una velocidad a la que el disco corte sin desacelerarse. Forzar la sierra durante el corte puede producir cortes desiguales, perder precisión y posiblemente generar un retroceso brusco.

**Función del protector inferior (guarda del disco)**

18. Compruebe si el protector inferior está bien cerrado antes de cada uso. No utilice la sierra si el protector inferior no se mueve libremente y se cierra instantáneamente. Nunca sujete ni mantenga el protector inferior en la posición abierta. Si la sierra cae accidentalmente, la protección inferior se puede doblar. Levante el protector inferior con el mango retráctil y asegúrese de que se mueve libremente y de que no hace contacto con el disco ni con ninguna otra pieza en todos los ángulos y profundidades del corte.
19. Compruebe el funcionamiento del muelle del protector inferior. Si el protector y el muelle no funcionan correctamente, deben repararse antes de utilizar la herramienta. El protector inferior puede funcionar con lentitud debido a partes dañadas, depósitos de goma o acumulación de suciedad.
20. El protector inferior debe retraerse manualmente solamente para cortes

especiales como “cortes de cavidad” y “cortes compuestos.” Levante el protector inferior mediante el mango retráctil y cuando el disco entre en el material, debe soltar el protector inferior. Para todos los otros cortes con sierra, el protector inferior debe funcionar automáticamente.

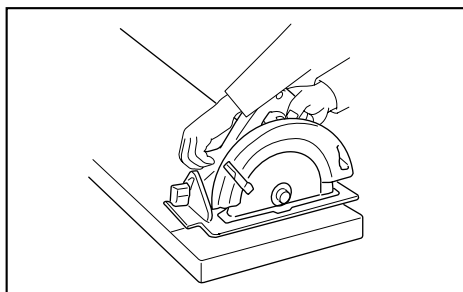
21. **Antes de dejar la sierra en el banco o en el suelo, observe siempre que el protector inferior esté cubriendo el disco.** Un disco desprotegido, girando por inercia, hará que la sierra se desplace hacia atrás, cortando todo lo que encuentre a su paso. Tenga presente el tiempo que el disco tarda en detenerse después de soltar el interruptor.
22. **Para comprobar el protector inferior, ábralo a mano, suéltelo y compruebe si se cierra.** Compruebe también que el mango retráctil no toque el alojamiento de la herramienta. Dejar el disco expuesto es MUY PELIGROSO y puede provocar graves lesiones personales.

#### Advertencias de seguridad adicionales

##### 23. Uso intencionado

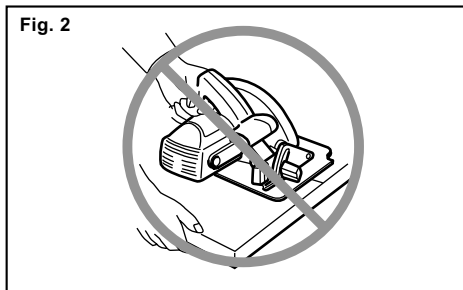
Esta herramienta está diseñada para cortar elementos de madera solamente. La acumulación de aserrín e el protector inferior, así como la concentración de otros residuos puede que afecte el cerrado correcto del protector inferior, lo cual puede resultar en graves lesiones al operador.

24. **Proceda con extrema precaución al cortar madera húmeda, tratada a presión o con nudos.** Mantenga un avance plano y suave de la herramienta sin reducir la velocidad del disco para evitar el sobrecalentamiento de las puntas del mismo.
25. **No intente retirar material cortado cuando el disco se está moviendo.** Espere hasta que el disco se detenga antes de recoger el material cortado. Los discos siguen girando por inercia después de apagar la herramienta.
26. **Evite cortar clavos.** Inspeccione la madera y quite todos los clavos antes de realizar el corte.
27. **Coloque la parte más ancha de la base de la sierra sobre la pieza de trabajo que está sujeta solidamente, no sobre la sección que caerá cuando se realice el corte.** Como ejemplos, la figura 1 ilustra la manera CORRECTA de cortar el extremo de un tablero y la figura 2 la manera INCORRECTA. Si la pieza de trabajo es corta o pequeña, fjela. ¡NO INTENTE SUJETAR PIEZAS PEQUEÑAS A MANO!



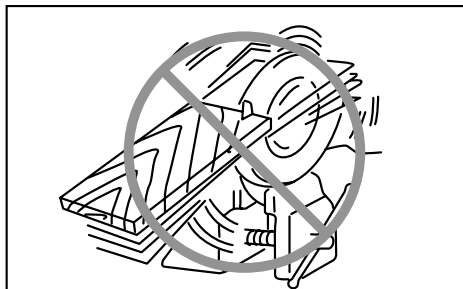
000163

Fig. 2



000190

28. **Antes de depositar la herramienta tras realizar un corte, asegúrese de que el protector inferior esté cerrado y de que el disco se haya detenido por completo.**
29. **Nunca intente serrar con la sierra circular boca arriba en un torno de banco.** Es extremadamente peligroso y puede conllevar accidentes graves.



000029

30. **Algunos materiales contienen sustancias químicas que pueden ser tóxicas.** Tome precauciones para evitar la inhalación de polvo o que éste tenga contacto con la piel. Consulte la información de seguridad del proveedor de los materiales.



31. **No detenga el disco de la sierra mediante presión lateral sobre el mismo.**
32. **No use ningún disco abrasivo.**
33. **Use solamente un disco de sierra cuyo diámetro esté marcado en la herramienta o especificado en el manual.** El uso de un disco de sierra de tamaño inadecuado puede que afecte la protección del disco o del protector en sí, lo cual podría resultar en graves lesiones al operador.
34. **Mantenga el disco afilado y limpio.** La cola y la resina de madera endurecidas en el disco frenan la sierra y aumentan las posibilidades de que se produzcan retrocesos bruscos. Mantenga limpio el disco quitándolo de la herramienta y limpiándolo con eliminador de resina y goma, agua caliente o querosén. Nunca utilice gasolina.
35. **Utilice una mascarilla antipolvo y protección para los oídos cuando utilice la herramienta.**
2. **No desarme el cartucho de batería.**
3. **Si el tiempo de operación se ha acortado en exceso, deje de operar de inmediato.** Podría correrse el riesgo de sobrecalentamiento, posibles quemaduras e incluso explosión.
4. **En caso de que ingresen electrolitos en sus ojos, enjuáguelos bien con agua limpia y consulte de inmediato a un médico.** Podría perder la visión.
5. **No cortocircuite el cartucho de batería:**
  - (1) **No toque las terminales con ningún material conductor.**
  - (2) **Evite guardar el cartucho de batería en un cajón junto con otros objetos metálicos, tales como clavos, monedas, etc.**
  - (3) **No exponga la batería de cartucho a la lluvia o nieve.**

Un corto circuito en la batería puede causar un flujo grande de corriente, sobrecalentamiento, posibles quemaduras y aún descomposturas.

## GUARDE ESTAS INSTRUCCIONES.

### ⚠ADVERTENCIA:

**NO DEJE** que la comodidad o familiaridad con el producto (a base de utilizarlo repetidamente) sustituya la estricta observancia de las normas de seguridad para dicho producto. **El MAL USO** o el **no seguir las normas de seguridad establecidas en este manual de instrucciones puede ocasionar graves lesiones personales.**

USD301-1

## Símbolos

A continuación se muestran los símbolos utilizados para la herramienta.

v	· volts o voltios
—	· corriente directa o continua
n <sub>o</sub>	· velocidad en vacío o sin carga
.../min	· revoluciones o alternaciones por minuto,
r/min	frecuencia de rotación

ENC007-8

## INSTRUCCIONES IMPORTANTES DE SEGURIDAD

### PARA CARTUCHO DE BATERÍA

1. **Antes de utilizar el cartucho de batería, lea todas las instrucciones e indicaciones de precaución sobre (1) el cargador de baterías, (2) la batería, y (3) el producto con el que se utiliza la batería.**
2. **No desarme el cartucho de batería.**
3. **Si el tiempo de operación se ha acortado en exceso, deje de operar de inmediato.** Podría correrse el riesgo de sobrecalentamiento, posibles quemaduras e incluso explosión.
4. **En caso de que ingresen electrolitos en sus ojos, enjuáguelos bien con agua limpia y consulte de inmediato a un médico.** Podría perder la visión.
5. **No cortocircuite el cartucho de batería:**
  - (1) **No toque las terminales con ningún material conductor.**
  - (2) **Evite guardar el cartucho de batería en un cajón junto con otros objetos metálicos, tales como clavos, monedas, etc.**
  - (3) **No exponga la batería de cartucho a la lluvia o nieve.**

Un corto circuito en la batería puede causar un flujo grande de corriente, sobrecalentamiento, posibles quemaduras y aún descomposturas.

6. **No guarde la herramienta ni el cartucho de batería en lugares donde la temperatura pueda alcanzar o exceder los 50 ° C (122 ° F).**
7. **Nunca incinere el cartucho de batería incluso en el caso de que esté dañado seriamente o ya no sirva en absoluto.** El cartucho de batería puede explotar si se tira al fuego.
8. **Tenga cuidado de no dejar caer ni golpear el cartucho de batería.**
9. **No use una batería dañada.**
10. **Siga las regulaciones locales relacionadas al desecho de las baterías.**

## GUARDE ESTAS INSTRUCCIONES.

### Consejos para alargar al máximo la vida útil de la batería

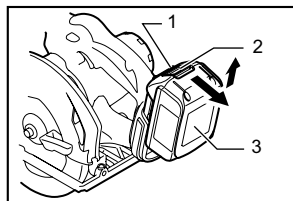
1. **Cargue el cartucho de batería antes de que se descargue completamente.** Pare siempre la operación y cargue el cartucho de batería cuando note menos potencia en la herramienta.
2. **No cargue nunca un cartucho de batería que esté completamente cargado.** La sobrecarga acortará la vida de servicio de la batería.
3. **Cargue el cartucho de batería a temperatura ambiente de 10 ° C - 40 ° C (50 ° F - 104 ° F).** Si un cartucho de batería está caliente, déjelo enfriar antes de cargarlo.
4. **Recargue el cartucho de la batería una vez cada seis meses si no se va a usar por un periodo extenso.**

## DESCRIPCIÓN DEL FUNCIONAMIENTO

### ⚠PRECAUCIÓN:

- Asegúrese siempre de que la herramienta esté apagada y el cartucho de batería extraído antes de realizar cualquier ajuste o comprobación en la herramienta.

### Instalación o desmontaje del cartucho de batería



1. Indicador rojo
2. Botón
3. Cartucho de batería

012142

### ⚠PRECAUCIÓN:

- Apague siempre la herramienta antes de colocar o quitar el cartucho de batería.
- **Sujete la herramienta y el cartucho de la batería con firmeza al colocar o quitar el cartucho.** Si no se sujeta con firmeza la herramienta y el cartucho de la batería, puede ocasionar que se resbalen de sus manos resultando en daños a la herramienta y al cartucho, así como lesiones a la persona.

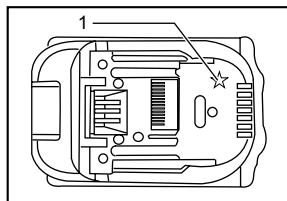
Para quitar el cartucho de batería, deslícelo de la herramienta mientras desliza el botón sobre la parte delantera del cartucho.

Para colocar el cartucho de batería, alinee la lengüeta sobre el cartucho de batería con la ranura en la carcasa y deslice en su lugar. Inserte por completo hasta que se fije en su lugar con un pequeño clic. Si puede ver el indicador rojo del lado superior del botón, esto indica que no ha quedado fijo por completo.

### ⚠PRECAUCIÓN:

- Introduzca siempre completamente el cartucho de batería hasta que el indicador rojo no pueda verse. Si no, podría accidentalmente salirse de la herramienta y caer al suelo causando una lesión a usted o alguien a su alrededor.
- No instale el cartucho de batería a la fuerza: si el cartucho no se desliza al interior fácilmente, se debe a que no está siendo insertado correctamente.

### Sistema de protección de batería (batería de ión de litio con marca de estrella)



1. Marca de estrella

012128

Las baterías de ión de litio con una marca de estrella están equipadas con un sistema de protección. Este sistema corta en forma automática el suministro de energía a la herramienta para prolongar la vida útil de la batería.

La herramienta se detendrá automáticamente durante el funcionamiento si la herramienta y/o la batería se someten a una de las siguientes condiciones:

- Sobrecarga:

La herramienta se está utilizando de una manera que causa que consuma una cantidad de corriente inusualmente alta.

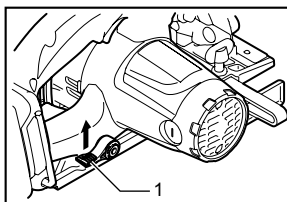
En este caso, libere el interruptor de gatillo en la herramienta y detenga la aplicación que causó que la herramienta se sobrecargara. Luego, vuelva a jalar el interruptor de gatillo para reanudar el funcionamiento.

Si la herramienta no empieza a funcionar, significa que la batería se sobrecalentó. En este caso, espere que la batería se enfríe antes de volver a jalar el interruptor de gatillo.

- Bajo voltaje de la batería:

La capacidad restante de la batería es demasiado baja y la herramienta no funcionará. En este caso, extraiga la batería y vuelva a cargarla.

### Ajuste de la profundidad de corte



1. Palanca

006701

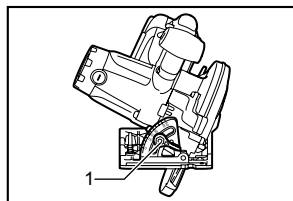
### ⚠PRECAUCIÓN:

- Después de ajustar la profundidad de corte, apriete siempre la palanca firmemente.

Afloje la palanca del lateral del mango posterior y mueva la base hacia arriba o hacia abajo. Cuando haya alcanzado la profundidad de corte deseada, fije la base apretando la palanca.

Para obtener cortes más limpios y seguros, ajuste la profundidad de corte de forma que no sobresalga más de un diente del disco de sierra por debajo de la pieza de trabajo. La utilización de una profundidad de corte apropiada ayuda a reducir la posibilidad de que se produzcan peligrosos RETROCESOS BRUSCOS que pueden ocasionar heridas personales.

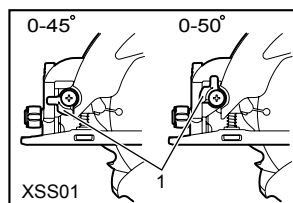
### Corte en bisel



1. Palanca

006702

#### Para modelo XSS01



1. Tapón

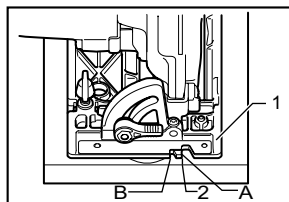
013951

Afloje la palanca en la placa de la escala de medición de bisel sobre la base delantera. Ajuste el ángulo deseado ( $0^{\circ}$  -  $50^{\circ}$ ) al inclinar como corresponda, luego apriete la palanca firmemente. Use el tope de  $45^{\circ}$  cuando precise un ángulo de corte de  $45^{\circ}$ . Gire el tope por completo en dirección contraria a las agujas del reloj para un corte de bisel de  $0^{\circ}$  a  $45^{\circ}$ , y gírelo en dirección a las manecillas del reloj para cortes de  $0^{\circ}$  a  $50^{\circ}$ .

#### Para modelo XSS02

Afloje la palanca en la placa de la escala de medición de bisel sobre la base delantera. Ajuste el ángulo deseado ( $0^{\circ}$  -  $50^{\circ}$ ) al inclinar como corresponda, luego apriete la palanca firmemente.

### Guía visual

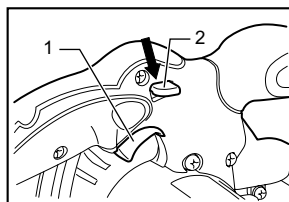


1. Base  
2. Línea de corte

006704

Para cortes rectos, alinee la posición A de la parte delantera de la base con la línea de corte. Para cortes en bisel a  $45^{\circ}$ , alinee la posición B con la misma.

### Accionamiento del interruptor



1. Gatillo interruptor  
2. Palanca de desbloqueo

006705

#### ⚠PRECAUCIÓN:

- Antes de insertar el cartucho de batería en la herramienta, compruebe siempre y cerciórese de que el gatillo interruptor se acciona debidamente y que vuelve a la posición "OFF" (apagado) cuando lo suelta.
- Cuando no utilice la herramienta, retire el botón de desbloqueo y guárdelo en un lugar seguro. Así se impide el uso no autorizado.

Para evitar que el gatillo del interruptor se accione accidentalmente se proporciona un botón de desbloqueo. Para poner en marcha la herramienta, presione el botón de desbloqueo y tire del gatillo del interruptor. Suelte el gatillo para detener la herramienta.

#### ⚠ADVERTENCIA:

- Por su seguridad, esta herramienta está equipada con un botón de desbloqueo que impide que la herramienta se ponga en marcha de forma accidental. NUNCA utilice la herramienta si funciona con sólo pulsar el gatillo sin oprimir el botón de desbloqueo. Devuelva la herramienta a un centro de asistencia técnica de MAKITA ANTES de continuar utilizándola.
- NUNCA fije con cinta adhesiva ni impida el funcionamiento ni la finalidad del botón de desbloqueo.

## Freno eléctrico

### Sólo para modelo XSS01

Esta herramienta está equipada con un freno eléctrico para el disco. Si sistemáticamente ocurre que al soltar el gatillo interruptor el disco no se detiene de inmediato, envíe la herramienta al centro de servicio Makita para su reparación.

El sistema de freno del disco no es un sustituto del protector de disco inferior. **NO UTILICE NUNCA LA HERRAMIENTA SI EL PROTECTOR INFERIOR NO FUNCIONA BIEN. PODRÍA SUFRIR HERIDAS PERSONALES.**

## Encendido de la lámpara

### Sólo para modelo XSS01

#### ⚠PRECAUCIÓN:

- No mire a la luz ni vea la fuente de luz directamente.

Para encender sólo la luz, tire del gatillo sin presionar el botón de desbloqueo. Para encender la luz y utilizar la herramienta, pulse el gatillo mientras mantiene presionado el botón de desbloqueo.

#### NOTA:

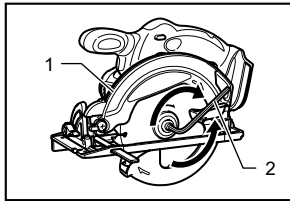
- Utilice un paño seco para quitar la suciedad de la lente de la lámpara. Tenga cuidado de no rayar la lente de la lámpara, porque podrá disminuir la iluminación.
- No utilice gasolina, disolvente ni ningún producto similar para limpiar la lente de la lámpara. El uso de tales sustancias dañará la lente.

## ENSAMBLE

#### ⚠PRECAUCIÓN:

- Asegúrese siempre de que la herramienta esté apagada y el cartucho de batería extraído antes de realizar cualquier trabajo en la misma.

### Desmontaje o instalación del disco de sierra



1. Bloqueo del eje
2. Llave hexagonal

006706

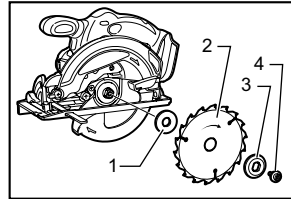
#### ⚠PRECAUCIÓN:

- Asegúrese de que el disco esté instalado con los dientes orientados hacia arriba en la parte delantera de la herramienta.

- Utilice solamente la llave Makita para instalar o desmontar el disco.

Para quitar el disco, presione el bloqueo del eje de forma que el disco no pueda girar y afloje el perno hexagonal girándolo en sentido de las agujas del reloj con la llave. Después quite el perno hexagonal, la brida exterior y el disco.

Para instalar el disco, siga el procedimiento de desmontaje a la inversa. **ASEGÚRESE DE APRETAR EL PERNO HEXAGONAL EN SENTIDO CONTRARIO A LAS AGUJAS DEL RELOJ FIRMEMENTE.**

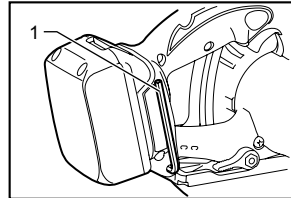


1. Brida interior
2. Disco de sierra
3. Brida exterior
4. Perno hexagonal

006707

Al cambiar el disco, asegúrese de también limpiar eliminando el aserrín acumulado de los protectores de discos inferior y superior, como se indica en la sección de Mantenimiento. Dicha acción no reemplaza la necesidad de revisar el protector inferior antes de cada uso.

### Almacenamiento de la llave de Allen (hexagonal)

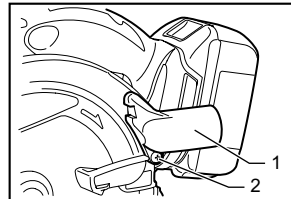


1. Llave hexagonal

006708

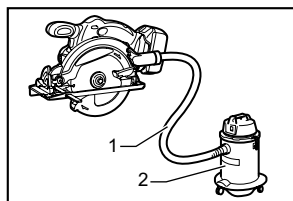
Cuando no la utilice, guarde la llave de Allen como se muestra en la figura para evitar que se pierda.

### Conexión de un aspirador



1. Boquilla para polvo
2. Tornillo

006711



1. Manguera
2. Aspirador

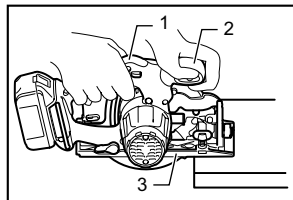
006712

Si desea realizar una operación de corte limpio, conecte una aspiradora Makita a la herramienta. Instale la boquilla de polvo en la herramienta utilizando el tornillo. A continuación, conecte una manguera de la aspiradora a la boquilla de polvo como se muestra en la figura.

## OPERACIÓN

### ⚠PRECAUCIÓN:

- Inserte siempre el cartucho de la batería a tope hasta que se bloquee en su sitio. Si puede ver la parte roja del lado superior del botón, no estará bloqueado completamente. Insértelo completamente hasta que no pueda verse la parte roja. En caso contrario, podrá caerse accidentalmente de la herramienta y ocasionarle heridas a usted o a alguien que se encuentre cerca de usted.
- Asegúrese de mover la herramienta hacia delante en línea recta y suavemente. El forzar o torcer la herramienta producirá un sobrecalentamiento del motor y un peligroso retroceso brusco, causando posiblemente graves heridas.
- Si utiliza la herramienta continuamente hasta descargar el cartucho de batería, deje descansar la herramienta durante 15 minutos antes de proceder con una batería fresca.



1. Empuñadura trasera
2. Empuñadura delantera
3. Base

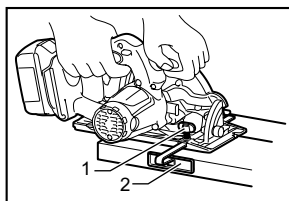
006709

Sujete la herramienta firmemente. La herramienta está provista de empuñaduras delantera y trasera. Utilice ambas para sujetar de forma óptima la herramienta. Si ambas manos están sujetando la herramienta, no habrá peligro de que las corte el disco. Coloque la base de la herramienta sobre la pieza de trabajo a cortar sin el disco haciendo contacto alguno. Después encienda la herramienta y espere hasta que adquiera plena

velocidad. Ahora simplemente mueva la herramienta hacia delante sobre la superficie de la pieza de trabajo, manteniéndola plana y avanzando suavemente hasta completar el corte.

Para obtener cortes limpios, mantenga la línea de corte recta y la velocidad de avance uniforme. Si se desvía de la línea de corte prevista, no intente girar ni forzar la herramienta para hacerla volver a la línea de corte. Esta acción podría inmovilizar el disco y ocasionar un peligroso retroceso brusco y posibles heridas graves. Suelte el interruptor, espere hasta que el disco pare y después retire la herramienta. Realice la herramienta en una nueva línea de corte, y comience el corte de nuevo. Hay que evitar posturas en las que el operario quede expuesto a las virutas y el aserrín que expulsa la herramienta. Utilice protección para los ojos para ayudar a evitar heridas.

### Guía lateral (Regla guía)



1. Tornillo de fijación
2. Guía lateral de corte (regla de guía)

006710

La útil guía lateral le permite hacer cortes rectos extra-precisos. Simplemente saque la guía lateral deslizándola hasta ajustarla bien contra el costado de la pieza de trabajo y sujétela en posición con el tornillo de la parte delantera de la base. Con ella también se pueden hacer cortes repetidos de anchura uniforme.

## MANTENIMIENTO

### ⚠PRECAUCIÓN:

- Asegúrese siempre de que la herramienta esté apagada y el cartucho de batería extraído antes de intentar realizar una inspección o mantenimiento.
- **Limpie los protectores superior e inferior para asegurar que no haya aserrín acumulado, lo cual puede que impida la operación del sistema inferior de protección.** Un sistema de protección sucio puede que limite la operación adecuada, lo cual podría resultar en graves lesiones al operador. La forma más eficaz de lograr esto es limpiando con aire comprimido. **Si el aserrín está siendo eliminado con aire que se sopla contra los protectores, asegúrese de usar protector para los ojos, al igual que un respirador.**
- Nunca use gasolina, bencina, diluyente (tiner), alcohol o sustancias similares. Puede que esto ocasione grietas o descoloramiento.

## Ajuste de la precisión de corte de 90° y 45° (corte de 45° y vertical)

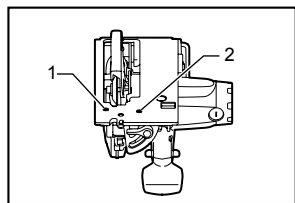
### Para modelo XSS01

Este ajuste se ha realizado en fábrica. Pero en caso de perderse: Ajuste el ángulo de la base con respecto al disco a 45° y 90° girando los tornillos de ajuste con la llave hexagonal y sirviéndose de una escuadra, cartabón, etc.

### Ajuste de precisión de corte de 90° (corte vertical)

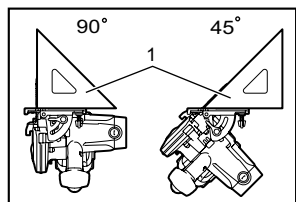
#### Para modelo XSS02

Este ajuste ha sido hecho de fábrica. Pero en caso de perderse: Ajuste el ángulo de la base con respecto al disco a 90° girando los tornillos de ajuste con la llave hexagonal y sirviéndose de una escuadra, cartabón, etc.



013978

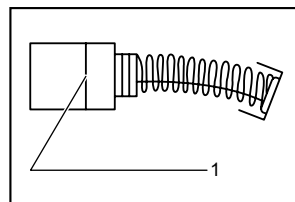
1. Tornillo de ajuste para 45° (sólo XSS01)
2. Tornillo de ajuste para 90°



006714

1. Escuadra

## Reemplazamiento de las escobillas de carbón



001145

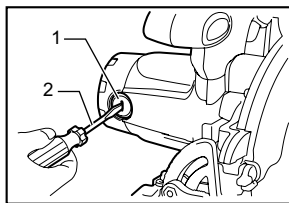
1. Marca límite

Extraiga e inspeccione de forma periódica las escobillas de carbón. Sustitúyalas cuando se hayan gastado hasta la marca límite. Mantenga las escobillas de carbón limpias de forma que entren libremente en los portaescobillas. Ambas escobillas de carbón deberán ser sustituidas al mismo tiempo. Utilice únicamente escobillas de carbón originales e idénticas.

Utilice un destornillador para quitar las tapas de los portaescobillas. Extraiga las escobillas gastadas, inserte las nuevas y vuelva a colocar las tapas.

### Para modelo XSS01

Después de reemplazar las escobillas, inserte el cartucho de batería en la herramienta y hágale el rodaje a las escobillas haciendo funcionar la herramienta sin carga durante 1 minuto aproximadamente. Después compruebe la herramienta mientras está en marcha y la operación del freno eléctrico cuando suelte el gatillo interruptor. Si el freno eléctrico no funciona bien, pida a su centro de servicio Makita local que se lo repare.



006715

1. Tapa del carbón
2. Destornillador

Para mantener la SEGURIDAD y FIABILIDAD del producto, las reparaciones, y cualquier otra tarea de mantenimiento o ajuste deberán ser realizadas en Centros de Servicio Autorizados por Makita, empleando siempre repuestos Makita.

## ACCESORIOS OPCIONALES

### ⚠PRECAUCIÓN:

- Estos accesorios o aditamentos (incluidos o no) están recomendados para utilizar con su herramienta Makita especificada en este manual. El empleo de cualesquiera otros accesorios o acoplamientos conllevará un riesgo de sufrir heridas personales. Utilice los accesorios o acoplamientos solamente para su fin establecido.

Si necesita cualquier ayuda para más detalles en relación con estos accesorios, pregunte a su centro de servicio Makita local.

- Hojas de sierra con puntas de carburo

Combinación	Disco de uso general para cortes al hilo, transversales e ingletes rápidos y limpios.
-------------	---

006540

- Guía lateral (Regla guía)
- Llave hexagonal de 5
- Boquilla de polvo
- Batería y cargador originales de Makita

### NOTA:

- Algunos de los artículos en la lista puede que vengan junto con el paquete de la herramienta como accesorios incluidos. Puede que estos accesorios varíen de país a país.

---

## **GARANTÍA LIMITADA MAKITA DE UN AÑO**

### **Ésta Garantía no aplica para México**

#### **Política de garantía**

Cada herramienta Makita es inspeccionada y probada exhaustivamente antes de salir de fábrica. Se garantiza que va a estar libre de defectos de mano de obra y materiales por el periodo de UN AÑO a partir de la fecha de adquisición original. Si durante este periodo de un año se desarrollase algún problema, retorne la herramienta COMPLETA, porte pagado con antelación, a una de las fábricas o centros de servicio autorizados Makita. Si la inspección muestra que el problema ha sido causado por mano de obra o material defectuoso, Makita la reparará (o a nuestra opción, reemplazará) sin cobrar.

Esta garantía no será aplicable cuando:

- se hayan hecho o intentado hacer reparaciones por otros:
- se requieran reparaciones debido al desgaste normal:
- la herramienta haya sido abusada, mal usada o mantenido indebidamente:
- se hayan hecho alteraciones a la herramienta.

EN NINGÚN CASO MAKITA SE HARÁ RESPONSABLE DE NINGÚN DAÑO INDIRECTO, FORTUITO O CONSECUENCIAL DERIVADO DE LA VENTA O USO DEL PRODUCTO.

ESTA RENUNCIA SERÁ APLICABLE TANTO DURANTE COMO DESPUÉS DEL TÉRMINO DE ESTA GARANTÍA.

MAKITA RENUNCIA LA RESPONSABILIDAD POR CUALQUIER GARANTÍA IMPLÍCITA, INCLUYENDO GARANTÍAS IMPLÍCITAS DE "COMERCIALIDAD" E "IDONEIDAD PARA UN FIN ESPECÍFICO", DESPUÉS DEL TÉRMINO DE UN AÑO DE ESTA GARANTÍA.

Esta garantía le concede a usted derechos legales específicos, y usted podrá tener también otros derechos que varían de un estado a otro. Algunos estados no permiten la exclusión o limitación de daños fortuitos o consecuenciales, por lo que es posible que la antedicha limitación o exclusión no le sea de aplicación a usted. Algunos estados no permiten limitación sobre la duración de una garantía implícita, por lo que es posible que la antedicha limitación no le sea de aplicación a usted.

EN0006-1

< USA only >

# WARNING

Some dust created by power sanding, sawing, grinding, drilling, and other construction activities contains chemicals known to the State of California to cause cancer, birth defects or other reproductive harm. Some examples of these chemicals are:

- lead from lead-based paints,
- crystalline silica from bricks and cement and other masonry products, and
- arsenic and chromium from chemically-treated lumber.

Your risk from these exposures varies, depending on how often you do this type of work. To reduce your exposure to these chemicals: work in a well ventilated area, and work with approved safety equipment, such as those dust masks that are specially designed to filter out microscopic particles.

< Sólo en los Estados Unidos >

# ADVERTENCIA

Algunos polvos creados por el lijado, aserrado, esmerilado, taladrado y otras actividades de la construcción contienen sustancias químicas reconocidas por el Estado de California como causantes de cáncer, defectos de nacimiento y otros peligros de reproducción. Algunos ejemplos de estos productos químicos son:

- plomo de pinturas a base de plomo,
- sílice cristalino de ladrillos y cemento y otros productos de albañilería, y
- arsénico y cromo de maderas tratadas químicamente.

El riesgo al que se expone varía, dependiendo de la frecuencia con la que realice este tipo de trabajo. Para reducir la exposición a estos productos químicos: trabaje en un área bien ventilada y póngase el equipo de seguridad indicado, tal como las máscaras contra polvo que están especialmente diseñadas para filtrar partículas microscópicas.

**Makita Corporation**

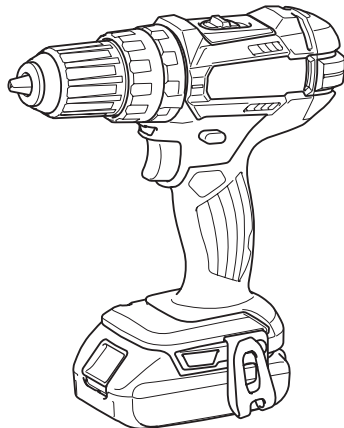
3-11-8, Sumiyoshi-cho,  
Anjo, Aichi 446-8502 Japan



**INSTRUCTION MANUAL  
MANUEL D'INSTRUCTION  
MANUAL DE INSTRUCCIONES**



**Cordless Hammer Driver Drill  
Perceuse Percussion-Visseuse  
sans Fil  
Rotomartillo Atornillador  
Inalámbrico  
XPH10**



**IMPORTANT:** Read Before Using.

**IMPORTANT :** Lire avant usage.

**IMPORTANTE:** Lea antes de usar.

# SPECIFICATIONS

Model:		XPH10	
Drilling capacities	Concrete	13 mm (1/2")	
	Steel	13 mm (1/2")	
	Wood	38 mm (1-1/2")	
Fastening capacities	Wood screw	10 mm x 90 mm (3/8" x 3-1/2")	
	Machine screw	M6 (1/4")	
No load speed (RPM)	High (2)	0 - 1,900 /min	
	Low (1)	0 - 600 /min	
Blows per minute	High (2)	0 - 28,500 /min	
	Low (1)	0 - 9,000 /min	
Overall length	198 mm (7-3/4")		
Rated voltage	D.C. 18 V		
Standard battery cartridge	BL1815N, BL1820, BL1820B	BL1830, BL1840, BL1850, BL1840B, BL1850B	
Net weight	1.5 kg (3.4 lbs)	1.8 kg (3.9 lbs)	

- Due to our continuing program of research and development, the specifications herein are subject to change without notice.
- Specifications and battery cartridge may differ from country to country.
- Weight, with battery cartridge, according to EPTA-Procedure 01/2003

## General power tool safety warnings

**⚠ WARNING: Read all safety warnings and all instructions.** Failure to follow the warnings and instructions may result in electric shock, fire and/or serious injury.

## Save all warnings and instructions for future reference.

The term "power tool" in the warnings refers to your mains-operated (corded) power tool or battery-operated (cordless) power tool.

### Work area safety

1. **Keep work area clean and well lit.** Cluttered or dark areas invite accidents.
2. **Do not operate power tools in explosive atmospheres, such as in the presence of flammable liquids, gases or dust.** Power tools create sparks which may ignite the dust or fumes.
3. **Keep children and bystanders away while operating a power tool.** Distractions can cause you to lose control.

### Electrical Safety

1. **Power tool plugs must match the outlet. Never modify the plug in any way. Do not use any adapter plugs with earthed (grounded) power tools.** Unmodified plugs and matching outlets will reduce risk of electric shock.
2. **Avoid body contact with earthed or grounded surfaces such as pipes, radiators, ranges and refrigerators.** There is an increased risk of electric shock if your body is earthed or grounded.

3. **Do not expose power tools to rain or wet conditions.** Water entering a power tool will increase the risk of electric shock.
4. **Do not abuse the cord. Never use the cord for carrying, pulling or unplugging the power tool. Keep cord away from heat, oil, sharp edges or moving parts.** Damaged or entangled cords increase the risk of electric shock.
5. **When operating a power tool outdoors, use an extension cord suitable for outdoor use.** Use of a cord suitable for outdoor use reduces the risk of electric shock.
6. **If operating a power tool in a damp location is unavoidable, use a ground fault circuit interrupter (GFCI) protected supply.** Use of a GFCI reduces the risk of electric shock.

### Personal Safety

1. **Stay alert, watch what you are doing and use common sense when operating a power tool. Do not use a power tool while you are tired or under the influence of drugs, alcohol or medication.** A moment of inattention while operating power tools may result in serious personal injury.
2. **Use personal protective equipment. Always wear eye protection.** Protective equipment such as dust mask, non-skid safety shoes, hard hat, or hearing protection used for appropriate conditions will reduce personal injuries.
3. **Prevent unintentional starting. Ensure the switch is in the off-position before connecting to power source and/or battery pack, picking up or carrying the tool.** Carrying power tools with your finger on the switch or energising power tools that have the switch on invites accidents.

4. **Remove any adjusting key or wrench before turning the power tool on.** A wrench or a key left attached to a rotating part of the power tool may result in personal injury.
5. **Do not overreach. Keep proper footing and balance at all times.** This enables better control of the power tool in unexpected situations.
6. **Dress properly. Do not wear loose clothing or jewellery. Keep your hair, clothing, and gloves away from moving parts.** Loose clothes, jewellery or long hair can be caught in moving parts.
7. **If devices are provided for the connection of dust extraction and collection facilities, ensure these are connected and properly used.** Use of dust collection can reduce dust-related hazards.

#### Power tool use and care

1. **Do not force the power tool. Use the correct power tool for your application.** The correct power tool will do the job better and safer at the rate for which it was designed.
2. **Do not use the power tool if the switch does not turn it on and off.** Any power tool that cannot be controlled with the switch is dangerous and must be repaired.
3. **Disconnect the plug from the power source and/or the battery pack from the power tool before making any adjustments, changing accessories, or storing power tools.** Such preventive safety measures reduce the risk of starting the power tool accidentally.
4. **Store idle power tools out of the reach of children and do not allow persons unfamiliar with the power tool or these instructions to operate the power tool.** Power tools are dangerous in the hands of untrained users.
5. **Maintain power tools. Check for misalignment or binding of moving parts, breakage of parts and any other condition that may affect the power tool's operation. If damaged, have the power tool repaired before use.** Many accidents are caused by poorly maintained power tools.
6. **Keep cutting tools sharp and clean.** Properly maintained cutting tools with sharp cutting edges are less likely to bind and are easier to control.
7. **Use the power tool, accessories and tool bits etc. in accordance with these instructions, taking into account the working conditions and the work to be performed.** Use of the power tool for operations different from those intended could result in a hazardous situation.

#### Battery tool use and care

1. **Recharge only with the charger specified by the manufacturer.** A charger that is suitable for one type of battery pack may create a risk of fire when used with another battery pack.
2. **Use power tools only with specifically designated battery packs.** Use of any other battery packs may create a risk of injury and fire.
3. **When battery pack is not in use, keep it away from other metal objects, like paper clips, coins, keys, nails, screws or other small metal objects, that can make a connection from one terminal to another.** Shorting the battery terminals together may cause burns or a fire.

4. **Under abusive conditions, liquid may be ejected from the battery; avoid contact. If contact accidentally occurs, flush with water. If liquid contacts eyes, additionally seek medical help.** Liquid ejected from the battery may cause irritation or burns.

#### Service

1. **Have your power tool serviced by a qualified repair person using only identical replacement parts.** This will ensure that the safety of the power tool is maintained.
2. **Follow instruction for lubricating and changing accessories.**
3. **Keep handles dry, clean and free from oil and grease.**

### Cordless hammer driver drill safety warnings


1. **Wear ear protectors when impact drilling.** Exposure to noise can cause hearing loss.
2. **Use auxiliary handle(s), if supplied with the tool.** Loss of control can cause personal injury.
3. **Hold power tool by insulated gripping surfaces, when performing an operation where the cutting accessory may contact hidden wiring.** Cutting accessory contacting a "live" wire may make exposed metal parts of the power tool "live" and could give the operator an electric shock.
4. **Hold power tool by insulated gripping surfaces, when performing an operation where the fastener may contact hidden wiring.** Fasteners contacting a "live" wire may make exposed metal parts of the power tool "live" and could give the operator an electric shock.
5. **Always be sure you have a firm footing. Be sure no one is below when using the tool in high locations.**
6. **Hold the tool firmly.**
7. **Keep hands away from rotating parts.**
8. **Do not leave the tool running. Operate the tool only when hand-held.**
9. **Do not touch the bit or the workpiece immediately after operation; they may be extremely hot and could burn your skin.**
10. **Some material contains chemicals which may be toxic. Take caution to prevent dust inhalation and skin contact. Follow material supplier safety data.**

### SAVE THESE INSTRUCTIONS.

**⚠WARNING:** DO NOT let comfort or familiarity with product (gained from repeated use) replace strict adherence to safety rules for the subject product. MISUSE or failure to follow the safety rules stated in this instruction manual may cause serious personal injury.

## Symbols

The followings show the symbols used for tool.

V	volts
— — —	direct current
$n_0$	no load speed
... /min r /min	revolutions or reciprocation per minute
	number of blow

## Important safety instructions for battery cartridge

1. Before using battery cartridge, read all instructions and cautionary markings on (1) battery charger, (2) battery, and (3) product using battery.
2. Do not disassemble battery cartridge.
3. If operating time has become excessively shorter, stop operating immediately. It may result in a risk of overheating, possible burns and even an explosion.
4. If electrolyte gets into your eyes, rinse them out with clear water and seek medical attention right away. It may result in loss of your eyesight.
5. Do not short the battery cartridge:
  - (1) Do not touch the terminals with any conductive material.
  - (2) Avoid storing battery cartridge in a container with other metal objects such as nails, coins, etc.
  - (3) Do not expose battery cartridge to water or rain.

A battery short can cause a large current flow, overheating, possible burns and even a breakdown.
6. Do not store the tool and battery cartridge in locations where the temperature may reach or exceed 50 °C (122 °F).
7. Do not incinerate the battery cartridge even if it is severely damaged or is completely worn out. The battery cartridge can explode in a fire.
8. Be careful not to drop or strike battery.
9. Do not use a damaged battery.
10. Follow your local regulations relating to disposal of battery.

## SAVE THESE INSTRUCTIONS.

**CAUTION:** Only use genuine Makita batteries. Use of non-genuine Makita batteries, or batteries that have been altered, may result in the battery bursting causing fires, personal injury and damage. It will also void the Makita warranty for the Makita tool and charger.

## Tips for maintaining maximum battery life

1. Charge the battery cartridge before completely discharged. Always stop tool operation and charge the battery cartridge when you notice less tool power.
2. Never recharge a fully charged battery cartridge. Overcharging shortens the battery service life.
3. Charge the battery cartridge with room temperature at 10 °C - 40 °C (50 °F - 104 °F). Let a hot battery cartridge cool down before charging it.
4. Charge the battery cartridge if you do not use it for a long period (more than six months).

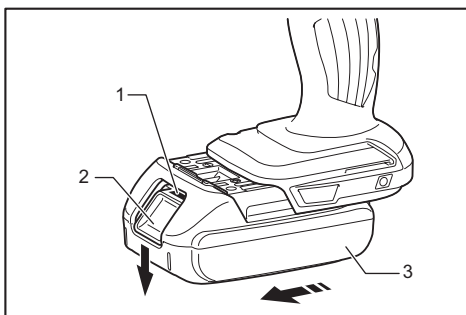
## FUNCTIONAL DESCRIPTION

**CAUTION:** Always be sure that the tool is switched off and the battery cartridge is removed before adjusting or checking function on the tool.

## Installing or removing battery cartridge

**CAUTION:** Always switch off the tool before installing or removing of the battery cartridge.

**CAUTION:** Hold the tool and the battery cartridge firmly when installing or removing battery cartridge. Failure to hold the tool and the battery cartridge firmly may cause them to slip off your hands and result in damage to the tool and battery cartridge and a personal injury.



1. Red indicator 2. Button 3. Battery cartridge

To remove the battery cartridge, slide it from the tool while sliding the button on the front of the cartridge.

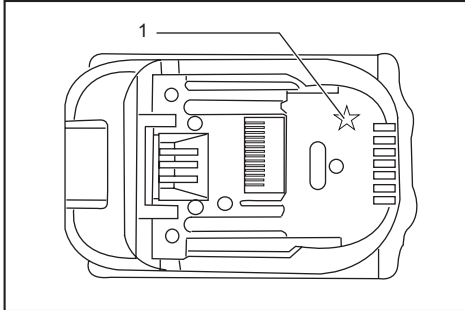
To install the battery cartridge, align the tongue on the battery cartridge with the groove in the housing and slip it into place. Insert it all the way until it locks in place with a little click. If you can see the red indicator on the upper side of the button, it is not locked completely.

**CAUTION:** Always install the battery cartridge fully until the red indicator cannot be seen. If not, it may accidentally fall out of the tool, causing injury to you or someone around you.

**CAUTION:** Do not install the battery cartridge forcibly. If the cartridge does not slide in easily, it is not being inserted correctly.

## Battery protection system

### Lithium-ion battery with star marking



1. Star marking

Lithium-ion batteries with a star marking are equipped with a protection system. This system automatically cuts off power to the tool to extend battery life.

The tool will automatically stop during operation if the tool and/or battery are placed under one of the following conditions:

#### Overloaded:

The tool is operated in a manner that causes it to draw an abnormally high current.

In this situation, release the switch trigger on the tool and stop the application that caused the tool to become overloaded. Then pull the switch trigger again to restart. If the tool does not start, the battery is overheated.

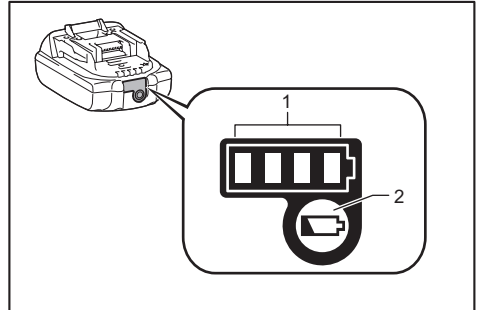
In this situation, let the battery cool before pulling the switch trigger again.

#### Low battery voltage:

The remaining battery capacity is too low and the tool will not operate. In this situation, remove and recharge the battery.

## Indicating the remaining battery capacity

Only for battery cartridges with "B" at the end of the model number



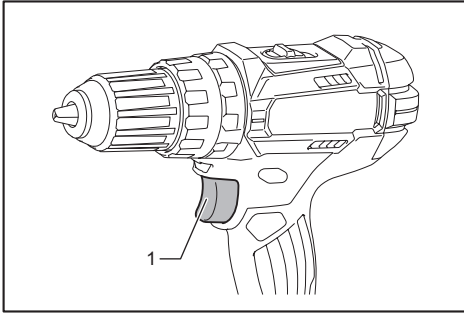
1. Indicator lamps 2. Check button

Press the check button on the battery cartridge to indicate the remaining battery capacity. The indicator lamps light up for few seconds.

Indicator lamps			Remaining capacity
Lighted	Off	Blinking	
■ ■ ■ ■			75% to 100%
■ ■ ■ □			50% to 75%
■ ■ □ □			25% to 50%
■ □ □ □			0% to 25%
▣ □ □ □			Charge the battery.
■ ■ □ □			The battery may have malfunctioned.
□ □ ■ ■			

**NOTE:** Depending on the conditions of use and the ambient temperature, the indication may differ slightly from the actual capacity.

## Switch action



1. Switch trigger

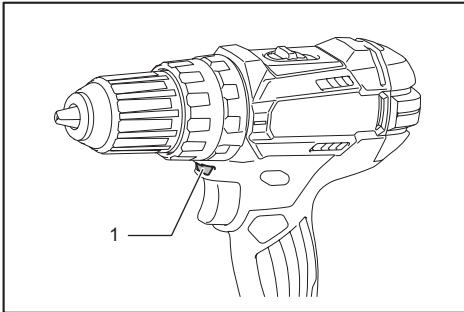
**CAUTION:** Before inserting the battery cartridge into the tool, always check to see that the switch trigger actuates properly and returns to the "OFF" position when released.

To start the tool, simply pull the switch trigger. Tool speed is increased by increasing pressure on the switch trigger. Release the switch trigger to stop.

## Electric brake

This tool is equipped with an electric brake. If the tool consistently fails to quickly stop after the switch trigger is released, have the tool serviced at a Makita service center.

## Lighting up the front lamp



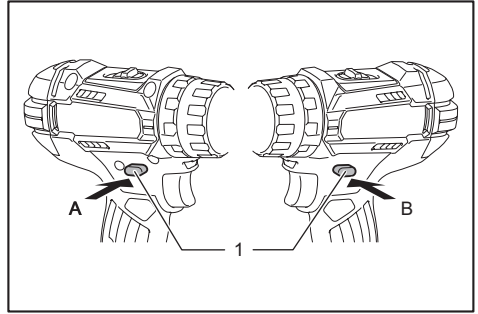
1. Lamp

**CAUTION:** Do not look in the light or see the source of light directly.

Pull the switch trigger to light up the lamp. The lamp keeps on lighting while the switch trigger is being pulled. The lamp goes out 10 -15 seconds after releasing the trigger.

**NOTE:** Use a dry cloth to wipe the dirt off the lens of the lamp. Be careful not to scratch the lens of lamp, or it may lower the illumination.

## Reversing switch action



1. Reversing switch lever

**CAUTION:** Always check the direction of rotation before operation.

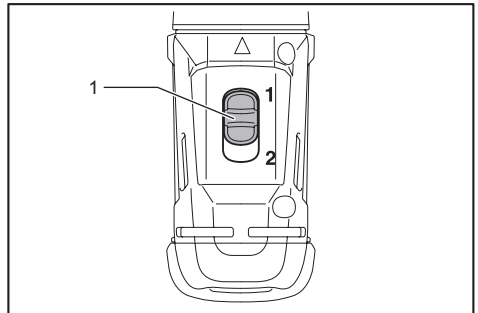
**CAUTION:** Use the reversing switch only after the tool comes to a complete stop. Changing the direction of rotation before the tool stops may damage the tool.

**CAUTION:** When not operating the tool, always set the reversing switch lever to the neutral position.

This tool has a reversing switch to change the direction of rotation. Depress the reversing switch lever from the A side for clockwise rotation or from the B side for counterclockwise rotation.

When the reversing switch lever is in the neutral position, the switch trigger cannot be pulled.

## Speed change



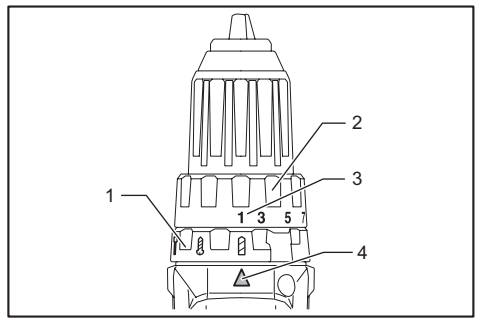
1. Speed change lever

**CAUTION:** Always set the speed change lever fully to the correct position. If you operate the tool with the speed change lever positioned halfway between the "1" side and "2" side, the tool may be damaged.

**CAUTION:** Do not use the speed change lever while the tool is running. The tool may be damaged.

Position of speed change lever	Speed	Torque	Applicable operation
1	Low	High	Heavy loading operation
2	High	Low	Light loading operation

To change the speed, switch off the tool first. Select the "2" side for high speed or "1" for low speed but high torque. Be sure that the speed change lever is set to the correct position before operation. If the tool speed is coming down extremely during the operation with "2", slide the lever to the "1" and restart the operation.






1. Action mode changing ring 2. Adjusting ring  
3. Graduation 4. Arrow

## Selecting the action mode

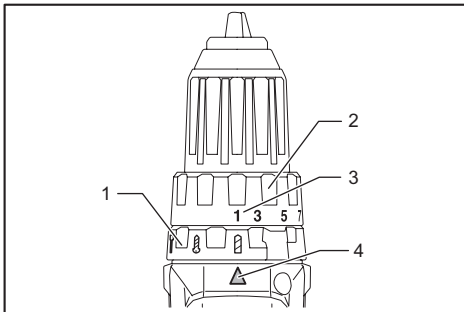
**CAUTION:** Always set the ring correctly to your desired mode mark. If you operate the tool with the ring positioned halfway between the mode marks, the tool may be damaged.

**CAUTION:** When you change the position from "1" to other modes, it may be a little difficult to slide the action mode changing ring. In this case, switch on and run the tool for a second at the "1" position, then stop the tool and slide the ring to your desired position.

This tool has three action modes.

-  Drilling mode (rotation only)
  -  Hammer drilling mode (rotation with hammering)
  -  Screwdriving mode (rotation with clutch)
- Select one mode suitable for your work. Turn the action mode changing ring and align the mark that you selected with the arrow on the tool body.

## Adjusting the fastening torque



1. Action mode changing ring 2. Adjusting ring  
3. Graduation 4. Arrow

The fastening torque can be adjusted in 21 steps by turning the adjusting ring. Align the graduations with the arrow on the tool body. You can get the minimum fastening torque at 1 and maximum torque at 21. Before actual operation, drive a trial screw into your material or a piece of duplicate material to determine which torque level is required for a particular application. The following shows the rough guide of the relationship between the screw size and graduation.

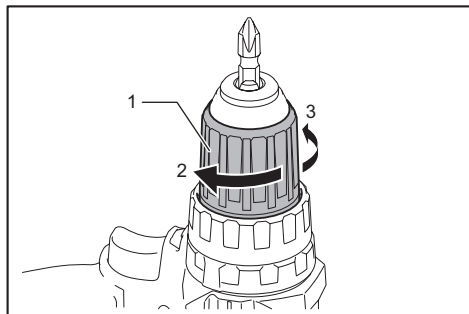
Graduation		1	2	3	4	5	6	7	8	9	10	11	12	13	14	15	16	17	18	19	20	21
Machine screw		M4					M5										M6					
Wood screw	Soft wood (e.g. pine)	-					φ3.5 x 22					φ4.1 x 38					-					
	Hard wood (e.g. lauan)	-					φ3.5 x 22					φ4.1 x 38					-					

## ASSEMBLY

**⚠ CAUTION:** Always be sure that the tool is switched off and the battery cartridge is removed before carrying out any work on the tool.

### Installing or removing driver bit/ drill bit

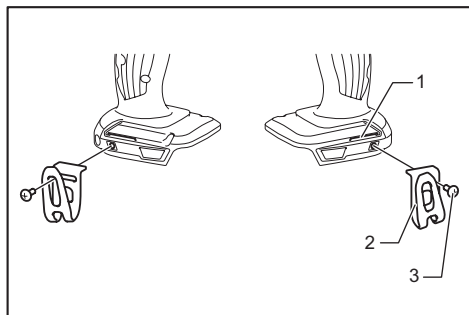
*Optional accessory*



1. Sleeve 2. Close 3. Open

Turn the sleeve counterclockwise to open the chuck jaws. Place the driver bit/drill bit in the chuck as far as it will go. Turn the sleeve clockwise to tighten the chuck. To remove the driver bit/drill bit, turn the sleeve counterclockwise.

### Installing hook

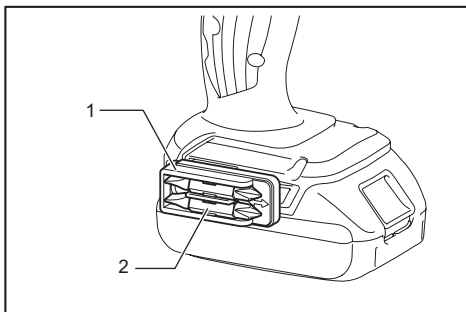


1. Groove 2. Hook 3. Screw

The hook is convenient for temporarily hanging the tool. This can be installed on either side of the tool. To install the hook, insert it into a groove in the tool housing on either side and then secure it with a screw. To remove, loosen the screw and then take it out.

## Installing driver bit holder

*Optional accessory*



1. Driver bit holder 2. Driver bit

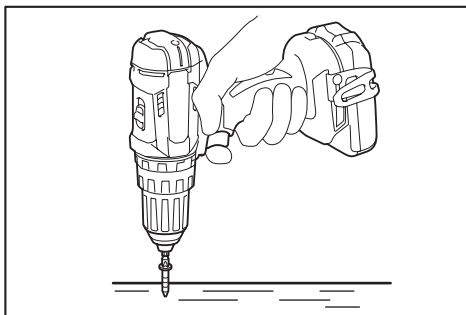
Fit the driver bit holder into the protrusion at the tool foot on either right or left side and secure it with a screw. When not using the driver bit, keep it in the driver bit holders. Driver bits 45 mm-long (1-3/4") can be kept there.

## OPERATION

**⚠ CAUTION:** Always insert the battery cartridge all the way until it locks in place. If you can see the red part on the upper side of the button, it is not locked completely. Insert it fully until the red part cannot be seen. If not, it may accidentally fall out of the tool, causing injury to you or someone around you.

**⚠ CAUTION:** When the speed comes down extremely, reduce the load or stop the tool to avoid the tool damage.

Hold the tool firmly with one hand on the grip and the other hand on the bottom of the battery cartridge to control the twisting action.






## Screwdriving operation

**CAUTION:** Adjust the adjusting ring to the proper torque level for your work.


**CAUTION:** Make sure that the driver bit is inserted straight in the screw head, or the screw and/or driver bit may be damaged.

First, turn the action mode changing ring so that the arrow on the tool body points to the  marking. Place the point of the driver bit in the screw head and apply pressure to the tool. Start the tool slowly and then increase the speed gradually. Release the switch trigger as soon as the clutch cuts in.

**NOTE:** When driving wood screw, pre-drill a pilot hole 2/3 the diameter of the screw. It makes driving easier and prevents splitting of the workpiece.

## Hammer drilling operation

**CAUTION:** There is a tremendous and sudden twisting force exerted on the tool/drill bit at the time of hole breakthrough, when the hole becomes clogged with chips and particles, or when striking reinforcing rods embedded in the concrete.

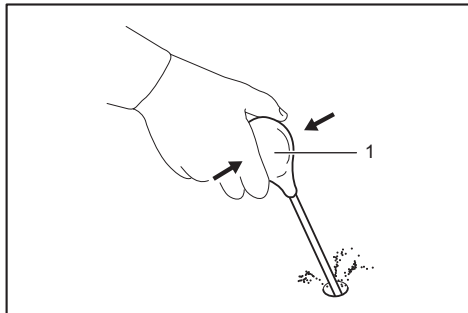
First, turn the action mode changing ring so that the arrow on the tool body points to the  marking. The adjusting ring can be aligned in any torque levels for this operation.

Be sure to use a tungsten-carbide tipped drill bit. Position the drill bit at the desired location for the hole, then pull the switch trigger. Do not force the tool. Light pressure gives best results. Keep the tool in position and prevent it from slipping away from the hole.

Do not apply more pressure when the hole becomes clogged with chips or particles. Instead, run the tool at an idle, then remove the drill bit partially from the hole. By repeating this several times, the hole will be cleaned out and normal drilling may be resumed.

## Blow-out bulb


### Optional accessory



1. Blow-out bulb

After drilling the hole, use the blow-out bulb to clean the dust out of the hole.

## Drilling operation

First, turn the adjusting ring so that the pointer points to the  marking. Then proceed as follows.

### Drilling in wood

When drilling in wood, the best results are obtained with wood drills equipped with a guide screw. The guide screw makes drilling easier by pulling the drill bit into the workpiece.

### Drilling in metal

To prevent the drill bit from slipping when starting a hole, make an indentation with a center-punch and hammer at the point to be drilled. Place the point of the drill bit in the indentation and start drilling.

Use a cutting lubricant when drilling metals. The exceptions are iron and brass which should be drilled dry.

**CAUTION:** Pressing excessively on the tool will not speed up the drilling. In fact, this excessive pressure will only serve to damage the tip of your drill bit, decrease the tool performance and shorten the service life of the tool.

**CAUTION:** Hold the tool firmly and exert care when the drill bit begins to break through the workpiece. There is a tremendous force exerted on the tool/drill bit at the time of hole break through.

**CAUTION:** A stuck drill bit can be removed simply by setting the reversing switch to reverse rotation in order to back out. However, the tool may back out abruptly if you do not hold it firmly.

**CAUTION:** Always secure small workpieces in a vise or similar hold-down device.

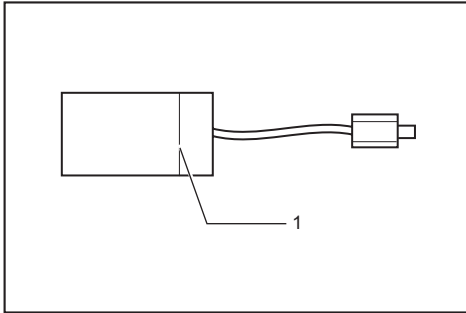
**CAUTION:** If the tool is operated continuously until the battery cartridge has discharged, allow the tool to rest for 15 minutes before proceeding with a fresh battery.

## MAINTENANCE

**CAUTION:** Always be sure that the tool is switched off and the battery cartridge is removed before attempting to perform inspection or maintenance.

**NOTICE:** Never use gasoline, benzine, thinner, alcohol or the like. Discoloration, deformation or cracks may result.

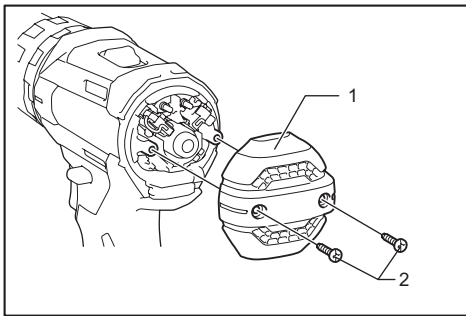
## Replacing carbon brushes



1. Limit mark

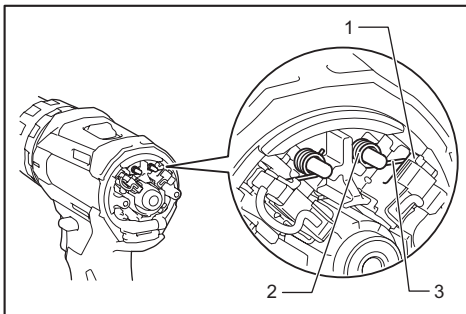
Check the carbon brushes regularly. Replace them when they wear down to the limit mark. Keep the carbon brushes clean and free to slip in the holders. Both carbon brushes should be replaced at the same time. Use only identical carbon brushes.

1. Use a screwdriver to remove two screws then remove the rear cover.



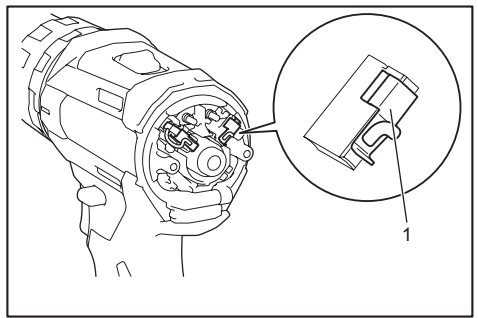
1. Rear cover 2. Screw

2. Raise the arm part of the spring and then place it in the recessed part of the housing with a slotted bit screwdriver of slender shaft or the like.



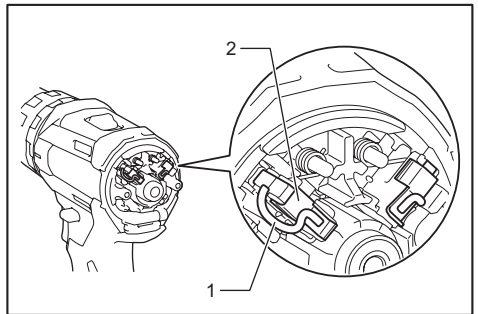
1. Recessed part 2. Spring 3. Arm

3. Use pliers to remove the carbon brush caps of the carbon brushes. Take out the worn carbon brushes, insert the new ones and replace the carbon brush caps in reverse.



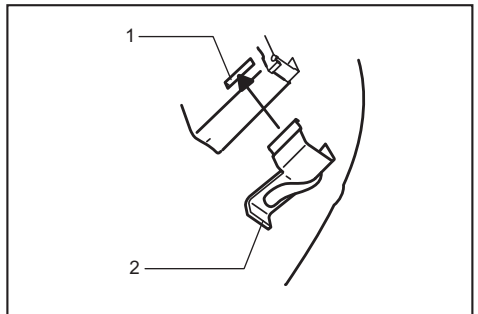
1. Carbon brush cap

4. Make sure to place the lead wire in opposite side of the arm.



1. Lead wire 2. Carbon brush cap

5. Make sure that the carbon brush caps have fit into the holes in brush holders securely.



1. Hole 2. Carbon brush cap

6. Reinstall the rear cover and tighten two screws securely.

7. Insert the battery cartridge into the tool and break in brushes by running tool with no load for about 1 minute.

8. Check the tool while running and electric brake operation when releasing the switch trigger. If electric brake is not working well, ask Makita Authorized or Factory Service Centers for repair.

To maintain product SAFETY and RELIABILITY, repairs, any other maintenance or adjustment should be performed by Makita Authorized or Factory Service Centers, always using Makita replacement parts.

## OPTIONAL ACCESSORIES

**⚠ CAUTION:** These accessories or attachments are recommended for use with your Makita tool specified in this manual. The use of any other accessories or attachments might present a risk of injury to persons. Only use accessory or attachment for its stated purpose.

If you need any assistance for more details regarding these accessories, ask your local Makita Service Center.

- Drill bits
- Driver bits
- Tungsten-carbide tipped drill bit
- Blow-out bulb
- Driver bit holder
- Hook
- Makita genuine battery and charger

**NOTE:** Some items in the list may be included in the tool package as standard accessories. They may differ from country to country.

## MAKITA LIMITED ONE YEAR WARRANTY

### Warranty Policy

Every Makita tool is thoroughly inspected and tested before leaving the factory. It is warranted to be free of defects from workmanship and materials for the period of ONE YEAR from the date of original purchase.

Should any trouble develop during this one year period, return the COMPLETE tool, freight prepaid, to one of Makita's Factory or Authorized Service Centers. If inspection shows the trouble is caused by defective workmanship or material, Makita will repair (or at our option, replace) without charge.

This Warranty does not apply where:

- repairs have been made or attempted by others:
- repairs are required because of normal wear and tear:
- the tool has been abused, misused or improperly maintained:
- alterations have been made to the tool.

IN NO EVENT SHALL MAKITA BE LIABLE FOR ANY INDIRECT, INCIDENTAL OR CONSEQUENTIAL DAMAGES FROM THE SALE OR USE OF THE PRODUCT. THIS DISCLAIMER APPLIES BOTH DURING AND AFTER THE TERM OF THIS WARRANTY.

MAKITA DISCLAIMS LIABILITY FOR ANY IMPLIED WARRANTIES, INCLUDING IMPLIED WARRANTIES OF "MERCHANTABILITY" AND "FITNESS FOR A SPECIFIC PURPOSE," AFTER THE ONE YEAR TERM OF THIS WARRANTY.

This Warranty gives you specific legal rights, and you may also have other rights which vary from state to state. Some states do not allow the exclusion or limitation of incidental or consequential damages, so the above limitation or exclusion may not apply to you.

Some states do not allow limitation on how long an implied warranty lasts, so the above limitation may not apply to you.

# SPÉCIFICATIONS

Modèle :		XPH10
Capacité de perçage	Béton	13 mm (1/2")
	Acier	13 mm (1/2")
	Bois	38 mm (1-1/2")
Capacité de serrage	Vis à bois	10 mm x 90 mm (3/8" x 3-1/2")
	Vis de mécanique	M6 (1/4")
Vitesse à vide (RPM)	Max. (2)	0 - 1 900 /min
	Min. (1)	0 - 600 /min
Nombre de frappes par minute	Max. (2)	0 - 28 500 /min
	Min. (1)	0 - 9 000 /min
Longueur totale	198 mm (7-3/4")	
Tension nominale	C.C. 18 V	
Batterie standard	BL1815N, BL1820, BL1820B	BL1830, BL1840, BL1850, BL1840B, BL1850B
Poids net	1,5 kg (3,4 lbs)	1,8 kg (3,9 lbs)

- Étant donné l'évolution constante de notre programme de recherche et développement, les spécifications contenues dans ce manuel sont sujettes à modification sans préavis.
- Les spécifications et la batterie peuvent varier suivant les pays.
- Poids, batterie comprise, conforme à la procédure EPTA 01/2003

## Consignes de sécurité générales pour outils électriques

**⚠ MISE EN GARDE :** Lisez toutes les consignes de sécurité et toutes les instructions. L'ignorance des mises en garde et des instructions comporte un risque de choc électrique, d'incendie et/ou de blessure grave.

## Conservez toutes les mises en garde et instructions pour référence future.

Le terme « outil électrique » qui figure dans les avertissements fait référence à un outil électrique branché sur une prise de courant (par un cordon d'alimentation) ou alimenté par batterie (sans fil).

### Sécurité de la zone de travail

1. **Maintenez la zone de travail propre et bien éclairée.** Les zones de travail encombrées ou sombres ouvrent grande la porte aux accidents.
2. **N'utilisez pas les outils électriques dans les atmosphères explosives, par exemple en présence de liquides, gaz ou poussières inflammables.** Les outils électriques produisent des étincelles au contact desquelles la poussière ou les vapeurs peuvent s'enflammer.
3. **Assurez-vous qu'aucun enfant ou curieux ne s'approche pendant que vous utilisez un outil électrique.** Vous risquez de perdre la maîtrise de l'outil si votre attention est détournée.

### Sécurité en matière d'électricité

1. **Les fiches d'outil électrique sont conçues pour s'adapter parfaitement aux prises de courant. Ne modifiez jamais la fiche de quelque façon que ce soit. N'utilisez aucun adaptateur de fiche sur les outils électriques avec mise à la terre.** En ne modifiant pas les fiches et en les insérant dans des prises de courant pour lesquelles elles ont été conçues, vous réduirez les risques de choc électrique.
2. **Évitez tout contact corporel avec les surfaces mises à la terre, telles que tuyaux, radiateurs, cuisinières et réfrigérateurs.** Le risque de choc électrique est plus élevé si votre corps se trouve mis à la terre.
3. **N'exposez pas les outils électriques à la pluie ou à l'eau.** La présence d'eau dans un outil électrique augmente le risque de choc électrique.
4. **Ne maltraitez pas le cordon. N'utilisez jamais le cordon pour transporter, tirer ou débrancher l'outil électrique. Maintenez le cordon à l'écart des sources de chaleur, de l'huile, des objets à bords tranchants et des pièces en mouvement.** Le risque de choc électrique est plus élevé lorsque les cordons sont endommagés ou enchevêtrés.
5. **Lorsque vous utilisez un outil électrique à l'extérieur, utilisez un cordon prolongateur conçu pour l'usage extérieur.** Les risques de choc électrique est moindre lorsqu'un cordon conçu pour l'usage extérieur est utilisé.
6. **Si vous devez utiliser un outil électrique dans un endroit humide, utilisez une source d'alimentation protégée par un disjoncteur de fuite à la terre.** L'utilisation d'un disjoncteur de fuite à la terre réduit le risque de choc électrique.

## Sécurité personnelle

1. **Restez alerte, attentif à vos mouvements et faites preuve de bon sens lorsque vous utilisez un outil électrique. N'utilisez pas les outils électriques si vous êtes fatigué ou avez pris une drogue, de l'alcool ou un médicament.** Un moment d'inattention pendant l'utilisation d'un outil électrique peut entraîner une grave blessure.
2. **Portez des dispositifs de protection personnelle. Portez toujours une protection oculaire.** Les risques de blessure seront moins élevés si vous utilisez des dispositifs de protection tels qu'un masque anti-poussière, des chaussures à semelle antidérapante, une coiffure résistante ou une protection d'oreilles.
3. **Évitez les démarrages accidentels. Assurez-vous que l'interrupteur est en position d'arrêt avant de brancher l'outil à la prise de courant et/ou au bloc-piles, et avant de prendre ou de transporter l'outil.** Vous ouvrez la porte aux accidents si vous transportez les outils électriques avec le doigt sur l'interrupteur ou si vous les branchez alors que l'interrupteur est en position de marche.
4. **Retirez toute clé de réglage ou de serrage avant de mettre l'outil électrique sous tension.** Toute clé laissée en place sur une pièce rotative de l'outil électrique peut entraîner une blessure.
5. **Ne vous étirez pas exagérément. Assurez-vous d'une bonne prise au sol et d'un bon équilibre en tout temps.** Cela vous permettra d'avoir une meilleure maîtrise de l'outil électrique dans les situations imprévues.
6. **Portez des vêtements adéquats. Ne portez ni vêtements amples ni bijoux. Vous devez maintenir cheveux, vêtements et gants à l'écart des pièces en mouvement.** Les pièces en mouvement peuvent happer les vêtements amples, les bijoux et les cheveux longs.
7. **Si des accessoires sont fournis pour raccorder un appareil d'aspiration et de collecte de la poussière, assurez-vous qu'ils sont correctement raccordés et qu'ils sont utilisés de manière adéquate.** L'utilisation d'un appareil de collecte permet de réduire les risques liés à la présence de poussière dans l'air.

## Utilisation et entretien des outils électriques

1. **Ne forcez pas l'outil électrique. Utilisez l'outil électrique adéquat suivant le type de travail à effectuer.** Si vous utilisez l'outil électrique adéquat et respectez le régime pour lequel il a été conçu, il effectuera un travail de meilleure qualité et plus sécuritaire.
2. **N'utilisez pas l'outil électrique s'il n'est pas possible de l'allumer et de l'éteindre avec son interrupteur.** Un outil électrique dont l'interrupteur est défectueux représente un danger et doit être réparé.
3. **Débranchez la fiche de la source d'alimentation et/ou retirez le bloc-piles de l'outil électrique avant d'effectuer tout réglage, de remplacer un accessoire ou de ranger l'outil électrique.** De telles mesures préventives réduisent les risques de démarrage accidentel de l'outil électrique.

4. **Après l'utilisation d'un outil électrique, rangez-le hors de portée des enfants et ne laissez aucune personne l'utiliser si elle n'est pas familiarisée avec l'outil électrique ou les présentes instructions d'utilisation.** Les outils électriques représentent un danger entre les mains de personnes qui n'en connaissent pas le mode d'utilisation.
5. **Veillez à l'entretien des outils électriques. Assurez-vous que les pièces mobiles ne sont pas désalignées ou coincées, qu'aucune pièce n'est cassée et que l'outil électrique n'a subi aucun dommage affectant son bon fonctionnement. Le cas échéant, faites réparer l'outil électrique avant de l'utiliser.** De nombreux accidents sont causés par des outils électriques mal entretenus.
6. **Maintenez les outils tranchants bien aiguisés et propres.** Un outil tranchant dont l'entretien est effectué correctement et dont les bords sont bien aiguisés risquera moins de se coincer et sera plus facile à maîtriser.
7. **Utilisez l'outil électrique, ses accessoires, ses embouts, etc., en respectant les présentes instructions, en tenant compte des conditions de travail et du type de travail à effectuer.** L'utilisation d'un outil électrique pour d'autres usages que ceux prévus peut entraîner une situation dangereuse.

## Utilisation et entretien des outils alimentés par batterie

1. **Pour recharger, utilisez uniquement le chargeur spécifié par le fabricant.** L'utilisation d'un chargeur conçu pour un type donné de bloc-piles comporte un risque d'incendie lorsqu'il est utilisé avec un autre type de bloc-piles.
2. **N'utilisez un outil électrique qu'avec le bloc-piles conçu spécifiquement pour cet outil.** Il y a risque de blessure ou d'incendie si un autre bloc-piles est utilisé.
3. **Lorsque vous n'utilisez pas le bloc-piles, rangez-le à l'écart des objets métalliques tels que trombones, pièces de monnaie, clés, clous, vis ou autres petits objets métalliques qui risqueraient d'établir une connexion entre les bornes.** La mise en court-circuit des bornes de batterie peut causer des brûlures ou un incendie.
4. **Dans des conditions d'utilisation inadéquates de la batterie, il peut y avoir fuite d'électrolyte; évitez tout contact avec ce liquide. En cas de contact accidentel, rincez avec beaucoup d'eau. Si le liquide pénètre dans vos yeux, il faut aussi consulter un médecin.** L'électrolyte qui s'échappe de la batterie peut causer des irritations ou des brûlures.

## Réparation

1. **Faites réparer votre outil électrique par un réparateur qualifié qui utilise des pièces de rechange identiques aux pièces d'origine.** Le maintien de la sûreté de l'outil électrique sera ainsi assuré.
2. **Suivez les instructions de lubrification et de remplacement des accessoires.**
3. **Maintenez les poignées de l'outil sèches, propres et exemptes d'huile ou de graisse.**

## Consignes de sécurité pour perceuse percussion-visseuse sans fil


1. **Portez des protections d'oreilles lorsque vous utilisez une perceuse à percussion.** L'exposition au bruit peut entraîner des lésions de l'ouïe.
2. **Utilisez la ou les poignées auxiliaires si elles sont fournies avec l'outil.** Toute perte de maîtrise comporte un risque de blessure.
3. **Tenez l'outil électrique par ses surfaces de prise isolées pendant toute opération où l'accessoire de coupe pourrait venir en contact avec un câblage dissimulé.** En cas de contact avec un conducteur sous tension, les pièces métalliques à découvert de l'outil électrique pourraient devenir sous tension et risqueraient de transmettre un choc électrique à l'utilisateur.
4. **Tenez l'outil électrique par ses surfaces de prise isolées pendant toute opération où l'accessoire de fixation pourrait venir en contact avec un câblage dissimulé.** En cas de contact avec un conducteur sous tension, les pièces métalliques à découvert de l'outil électrique peuvent devenir sous tension et transmettre un choc électrique à l'utilisateur.
5. **Pensez toujours à prendre pied solidement. Assurez-vous qu'il n'y a personne plus bas lorsque vous utilisez l'outil en position élevée.**
6. **Tenez l'outil fermement.**
7. **Gardez les mains éloignées des pièces en rotation.**
8. **N'abandonnez pas l'outil alors qu'il tourne. Ne faites fonctionner l'outil qu'une fois que vous l'avez bien en main.**
9. **Ne touchez ni l'embout, ni la pièce à travailler immédiatement après l'utilisation ; ils peuvent être extrêmement chauds et vous pourriez vous brûler la peau.**
10. **Certains matériaux contiennent des produits chimiques qui peuvent être toxiques. Prenez les précautions nécessaires pour éviter l'inhalation de ces poussières ou leur contact avec la peau. Conformez-vous aux consignes de sécurité du fournisseur du matériau.**

## CONSERVEZ CES INSTRUCTIONS.

**⚠ MISE EN GARDE :** NE vous laissez PAS tromper (au fil d'une utilisation répétée) par un sentiment d'aisance ou de familiarité avec le produit en négligeant les consignes de sécurité qui accompagnent le produit. **UNE UTILISATION INCORRECTE** ou le non-respect des règles de sécurité énoncées dans le présent manuel d'instructions peut provoquer des blessures graves.

## Symboles

Les symboles utilisés pour l'outil sont indiqués ci-dessous.

V	volts
— — —	courant continu
n <sub>0</sub>	vitesse à vide
... /min r /min	tours ou alternances par minute
	nombre de frappes

## Consignes de sécurité importantes pour la batterie

1. **Avant d'utiliser la batterie, lisez toutes les instructions et les mises en garde apposées sur (1) le chargeur de batterie, (2) la batterie et (3) le produit utilisant la batterie.**
2. **Ne démontez pas la batterie.**
3. **Cessez immédiatement l'utilisation si le temps de fonctionnement devient excessivement court. Il y a risque de surchauffe, de brûlures, voire d'explosion.**
4. **Si l'électrolyte pénètre dans vos yeux, rincez-les à l'eau claire et consultez immédiatement un médecin. Il y a risque de perte de la vue.**
5. **Ne court-circuitez pas la batterie :**
  - (1) **Ne touchez les bornes avec aucun matériau conducteur.**
  - (2) **Évitez de ranger la batterie dans un conteneur avec d'autres objets métalliques tels que clous, pièces de monnaie, etc.**
  - (3) **Évitez d'exposer la batterie à l'eau ou à la pluie.**

Un court-circuit de la batterie pourrait provoquer un fort courant, une surchauffe, parfois des brûlures et même une panne.
6. **Ne rangez pas l'outil ou la batterie dans des emplacements où la température peut atteindre ou dépasser 50 °C (122 °F).**
7. **Ne jetez pas la batterie au feu même si elle est sérieusement endommagée ou complètement épuisée. La batterie peut exploser au contact du feu.**
8. **Prenez garde d'échapper ou de heurter la batterie.**
9. **N'utilisez pas une batterie si elle est endommagée.**
10. **Suivez la réglementation locale concernant l'élimination de la batterie.**

## CONSERVEZ CES INSTRUCTIONS.

**ATTENTION** : Utilisez exclusivement les batteries fabriquées par Makita. Les batteries autres que celles fabriquées par Makita ou les batteries modifiées peuvent exploser et causer un incendie, une blessure ou des dommages. Cela annule aussi la garantie Makita de l'outil et du chargeur Makita.

## Conseils pour maintenir la durée de service maximale de la batterie

1. Rechargez la batterie avant qu'elle ne soit complètement déchargée. Arrêtez toujours l'outil et rechargez la batterie quand vous remarquez que la puissance de l'outil diminue.
2. Ne rechargez jamais une batterie complètement chargée. La surcharge réduit la durée de service de la batterie.
3. Chargez la batterie à une température ambiante comprise entre 10 °C et 40 °C (50 °F et 104 °F). Si la batterie est chaude, laissez-la refroidir avant de la charger.
4. Chargez la batterie si elle est restée inutilisée pendant une période prolongée (plus de six mois).

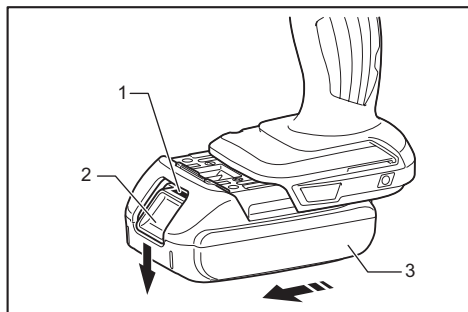
## DESCRIPTION DU FONCTIONNEMENT

**ATTENTION** : Assurez-vous toujours que l'outil est éteint et que sa batterie est retirée avant de l'ajuster ou de vérifier son fonctionnement.

### Installation ou retrait de la batterie

**ATTENTION** : Éteignez toujours l'outil avant d'installer ou de retirer la batterie.

**ATTENTION** : Tenez fermement l'outil et la batterie lors de l'installation ou du retrait de cette dernière. Si l'outil et la batterie ne sont pas tenus fermement, ils risquent de vous glisser des mains et de subir des dommages, ou encore de vous blesser.



1. Voyant rouge 2. Bouton 3. Batterie

Pour retirer la batterie, faites-la glisser hors de l'outil tout en glissant le bouton qui se trouve à l'avant.

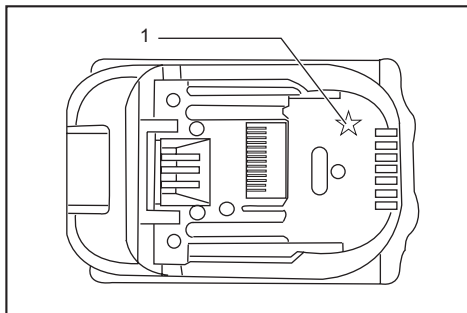
Pour installer la batterie, alignez sa languette sur la rainure pratiquée dans le boîtier, et glissez la batterie en place. Insérez-la à fond jusqu'à ce que vous entendiez un léger déclic. Si vous pouvez voir le voyant rouge sur le dessus du bouton, la batterie n'est pas complètement verrouillée.

**ATTENTION** : Installez toujours la batterie à fond jusqu'à ce que vous ne puissiez plus voir le voyant rouge. Autrement elle risque de tomber accidentellement de l'outil et d'entraîner des blessures.

**ATTENTION** : Ne forcez pas sur la batterie pour l'installer. Si la batterie ne glisse pas facilement, c'est qu'elle n'est pas insérée correctement.

## Dispositif de protection de la batterie

### Batterie lithium-ion marquée d'une étoile



1. Marque d'étoile

Les batteries lithium-ion marquées d'une étoile sont équipées d'un dispositif de protection. Ce dispositif coupe automatiquement l'alimentation de l'outil pour prolonger la durée de service de la batterie. L'outil s'arrête automatiquement pendant l'utilisation lorsque l'outil et/ou la batterie sont dans l'une des situations suivantes :

#### En surcharge :

L'outil est utilisé d'une manière entraînant une consommation anormale de courant.

Dans cette situation, libérez la gâchette et arrêtez l'activité qui entraîne une surcharge de l'outil. Ensuite, appuyez de nouveau sur la gâchette pour redémarrer. Si l'outil ne démarre pas, la batterie est en surchauffe. Dans cette situation, laissez refroidir la batterie avant d'appuyer de nouveau sur la gâchette.

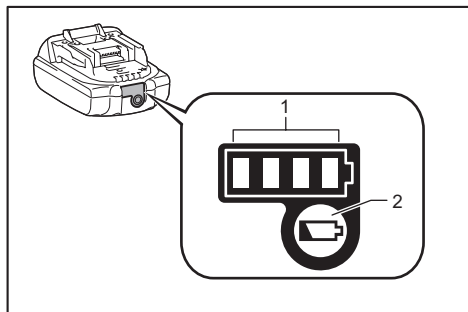
#### Tension de la batterie faible :

La charge restante de la batterie est trop faible pour que l'outil puisse fonctionner. Dans cette situation, retirez et rechargez la batterie.



## Affichage de la charge restante de la batterie

Uniquement pour les batteries dont le numéro de modèle se termine par « B »



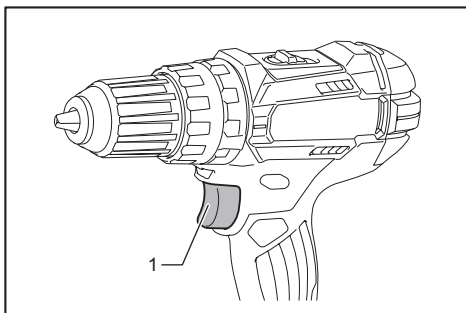
1. Témoins indicateurs 2. Bouton de vérification

Appuyez sur le bouton de vérification de la batterie pour afficher la charge restante de la batterie. Les témoins indicateurs s'allument pendant quelques secondes.

Témoins indicateurs			Charge restante
Allumé	Éteint	Clignotant	
■	□	◻	75 % à 100 %
■ ■ ■ ■	□ □ □ □	◻ ◻	50 % à 75 %
■ ■	□ □	◻ ◻	25 % à 50 %
■	□ □ □ □	◻ ◻	0 % à 25 %
◻	□ □ □ □	◻ ◻	Chargez la batterie.
■ ■ □ □	□ □	◻ ◻	La batterie a peut-être mal fonctionné.
□ □ ■ ■	□ □	◻ ◻	

**NOTE :** Suivant les conditions d'utilisation et la température ambiante, il se peut que l'indication soit légèrement différente de la charge réelle.

## Interrupteur



1. Gâchette

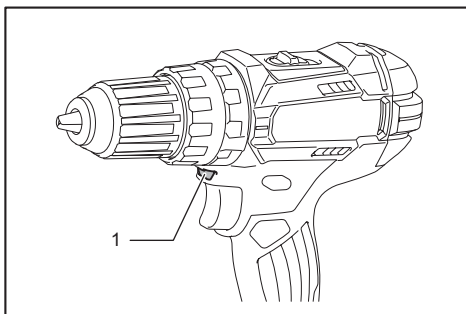
**ATTENTION :** Avant d'insérer la batterie dans l'outil, vérifiez toujours que la gâchette fonctionne bien et revient en position d'arrêt lorsque libérée.

Pour mettre l'outil en marche, appuyez simplement sur la gâchette. La vitesse de l'outil augmente à mesure que l'on accroît la pression exercée sur la gâchette. Pour arrêter l'outil, libérez la gâchette.

## Frein électrique

Cet outil est muni d'un frein électrique. Si la libération du levier de la gâchette ne permet jamais d'arrêter promptement l'outil, faites-le réparer dans un centre de service après-vente Makita.

## Allumage de la lampe avant



1. Lampe

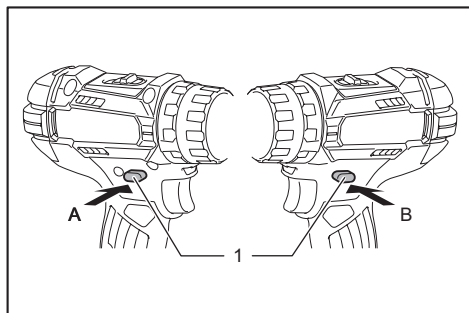
**ATTENTION :** Évitez de regarder directement le faisceau lumineux ou sa source.

Appuyez sur la gâchette pour allumer la lampe. La lampe demeure allumée tant que la pression sur la gâchette est maintenue. La lampe s'éteint de 10 à 15 secondes après la libération de la gâchette.

**NOTE :** Utilisez un linge sec pour enlever les poussières sur la lentille de la lampe. Prenez garde de rayer la lentille de la lampe, car cela peut affecter son intensité d'éclairage.



## Fonctionnement de l'inverseur



1. Levier inverseur

**ATTENTION** : Vérifiez toujours le sens de rotation avant de mettre l'outil en marche.

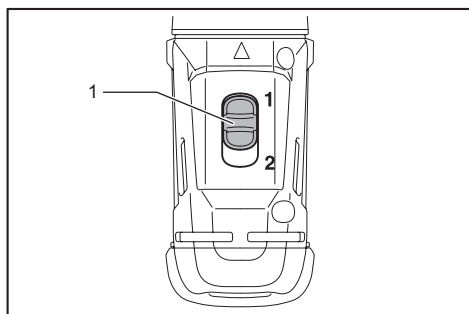
**ATTENTION** : N'actionnez l'inverseur qu'une fois l'outil complètement arrêté. Si vous changez le sens de rotation avant l'arrêt de l'outil, vous risquez de l'endommager.

**ATTENTION** : Lorsque vous n'utilisez pas l'outil, placez toujours le levier inverseur en position neutre.

L'outil possède un inverseur qui permet de changer le sens de rotation. Enfoncez le levier inverseur du côté A pour une rotation dans le sens des aiguilles d'une montre, ou du côté B pour une rotation dans le sens contraire des aiguilles d'une montre.

La pression sur la gâchette n'est pas possible lorsque le levier inverseur se trouve en position neutre.

## Changement de vitesse



1. Levier de changement de vitesse

**ATTENTION** : Réglez toujours le levier de changement de vitesse exactement sur la position voulue. Si vous actionnez l'outil alors que le levier est placé à mi-chemin entre la position « 1 » et la position « 2 », vous risquez d'endommager l'outil.

**ATTENTION** : Ne modifiez pas la position du levier de changement de vitesse pendant que l'outil tourne. Vous risqueriez d'endommager l'outil.

Position du levier de changement de vitesse	Vitesse	Couple de serrage	Type de travail
1	Réduite	Élevée	Charge de travail lourde
2	Élevée	Réduit	Charge de travail légère

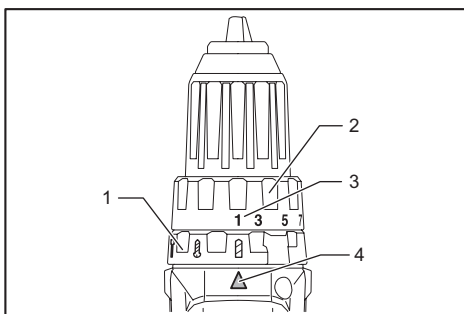
Pour modifier la vitesse, éteignez d'abord l'outil. Sélectionnez « 2 » pour une vitesse élevée, ou « 1 » pour une vitesse réduite avec un couple de serrage élevé. Avant d'utiliser l'outil, assurez-vous que le levier de changement de vitesse se trouve à la position adéquate.

Si la vitesse de l'outil ralentit extrêmement tandis que la position « 2 » est utilisée, faites glisser le levier à la position « 1 », puis poursuivez le travail.

## Sélection du mode de fonctionnement

**ATTENTION** : Réglez toujours la bague parfaitement sur le symbole du mode désiré. Si vous faites fonctionner l'outil alors que la bague se trouve à mi-course entre les symboles de mode, vous risquez d'endommager l'outil.

**ATTENTION** : Lorsque vous changez la position de « 1 » à un autre mode, il peut être un peu difficile de faire glisser la bague de changement de mode. Le cas échéant, allumez l'outil et laissez-le tourner une seconde sur la position « 1 », puis arrêtez l'outil et faites glisser la bague sur la position désirée.



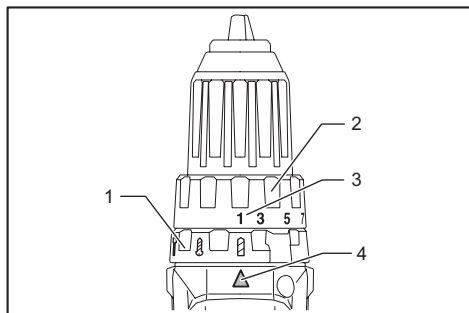
1. Bague de changement de mode 2. Bague de réglage 3. Graduation 4. Flèche

Cet outil est doté de trois modes d'action.

- Mode perçage (rotation uniquement)
- Mode perçage avec percussion (rotation avec martelage)
- Mode vissage (rotation avec embrayage)

Sélectionnez le mode adéquat pour le travail à effectuer. Tournez la bague de changement de mode pour aligner le symbole du mode choisi avec la flèche sur le bâti de l'outil.

## Réglage du couple de serrage



1. Bague de changement de mode 2. Bague de réglage  
3. Graduation 4. Flèche

Le couple de serrage peut être réglé sur un des 21 niveaux en tournant la bague de réglage. Alignez les graduations avec la flèche sur le bâti de l'outil. Le couple de serrage est au minimum lorsqu'il est à 1 et au maximum lorsqu'il est à 21.

Avant d'utiliser l'outil pour le travail, vissez un échantillon dans le matériau ou dans une pièce du même matériau que la pièce à visser afin de déterminer quel niveau de couple de serrage convient à une application en particulier. Voici un guide approximatif du rapport entre la taille de la vis et la graduation.

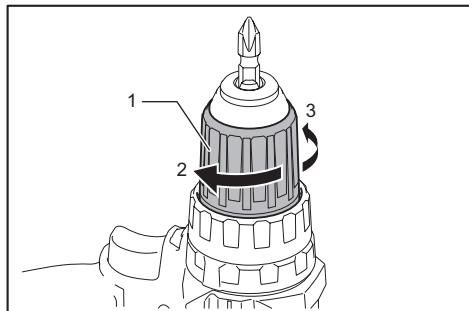
Graduation		1	2	3	4	5	6	7	8	9	10	11	12	13	14	15	16	17	18	19	20	21
Vis de mécanique		M4					M5										M6					
Vis à bois	Bois mou (ex.: pin)	-					$\phi 3,5 \times 22$					$\phi 4,1 \times 38$					-					
	Bois dur (ex.: meranti)	-					$\phi 3,5 \times 22$					$\phi 4,1 \times 38$					-					

## ASSEMBLAGE

**ATTENTION** : Assurez-vous toujours que l'outil est éteint et que sa batterie est retirée avant d'effectuer tout travail dessus.

### Installation ou retrait de l'embout-tournevis ou de l'embout-foret

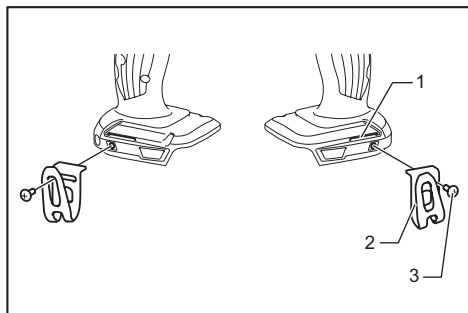
Accessoire en option



1. Manchon 2. Fermer 3. Ouvrir

Tournez le manchon dans le sens contraire des aiguilles d'une montre pour ouvrir les mâchoires du mandrin. Insérez l'embout-tournevis ou l'embout-foret à fond dans le mandrin. Tournez le manchon dans le sens des aiguilles d'une montre pour serrer le mandrin. Pour retirer l'embout-tournevis ou l'embout-foret, tournez le manchon dans le sens contraire des aiguilles d'une montre.

### Installation du crochet



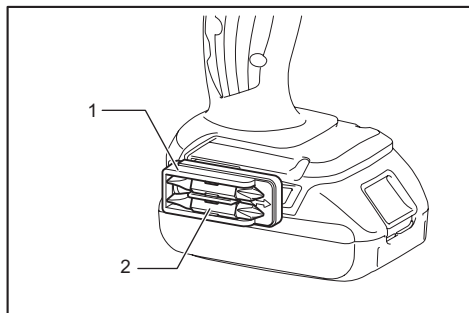
1. Rainure 2. Crochet 3. Vis

L'outil est équipé d'un crochet pratique qui permet de le suspendre temporairement. Il s'installe d'un côté comme de l'autre de l'outil. Pour installer le crochet,

insérez-le dans l'une ou l'autre des rainures situées de chaque côté du boîtier de l'outil, puis serrez-le avec une vis. Pour le retirer, desserrez la vis et enlevez-la.

## Installation du support d'embout-tournevis

### Accessoire en option



1. Support d'embout-tournevis 2. Embout-tournevis

Placez le support d'embout-tournevis dans la partie saillante au pied de l'outil, du côté droit ou gauche, et fixez-le à l'aide d'une vis.

Lorsque vous n'utilisez pas l'embout-tournevis, rangez-le dans le support d'embout-tournevis. Vous pouvez y ranger des embouts-tournevis de 45 mm (1-3/4") de long.

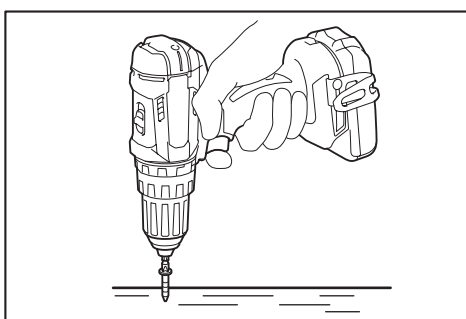
## UTILISATION

**ATTENTION** : Insérez toujours la batterie à fond, jusqu'à ce qu'elle se verrouille en place.

Si vous pouvez voir la partie rouge de la face supérieure du bouton, la batterie n'est pas parfaitement verrouillée. Insérez-la à fond, jusqu'à ce que la partie rouge ne soit plus visible. Autrement elle risque de tomber accidentellement de l'outil et d'entraîner des blessures.

**ATTENTION** : Si la vitesse ralentit extrêmement, réduisez la charge ou arrêtez l'outil pour éviter de l'endommager.

Tenez fermement l'outil avec une main sur la poignée et l'autre main au bas de la batterie pour contrôler le mouvement de torsion.



## Vissage

**ATTENTION** : Ajustez la bague de réglage sur le niveau de couple de serrage qui convient au travail à effectuer.

**ATTENTION** : Assurez-vous que l'embout-tournevis est inséré bien droit dans la tête de vis, sinon la vis et/ou l'embout-tournevis risque d'être endommagé.

Tournez d'abord la bague de changement de mode de sorte que la flèche du bâti de l'outil pointe vers l'indication

Placez la pointe de l'embout-tournevis dans la tête de vis et appliquez une pression sur l'outil. Faites démarrer l'outil à vitesse réduite puis augmentez graduellement la vitesse. Libérez la gâchette dès que l'engrenage s'engage.

**NOTE** : Avant d'insérer une vis à bois, percez un avant-trou d'un diamètre correspondant au 2/3 du diamètre de la vis. Cela facilite le vissage et évite le fendage de la pièce.

## Perçage avec percussion

**ATTENTION** : Une force de torsion énorme et soudaine s'exerce sur l'outil et l'embout-mèche lors du perçage du trou, lorsque ce dernier est bouché par des copeaux et particules ou lors du contact avec les armatures d'une structure en béton armé.

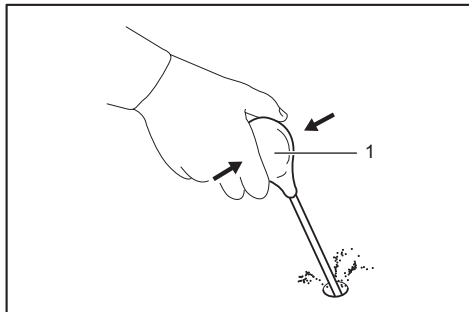
Tournez d'abord la bague de changement de mode de sorte que la flèche du bâti de l'outil pointe vers l'indication . La bague de réglage peut être alignée sur n'importe quel niveau de couple de serrage pour cette opération.

Assurez-vous d'utiliser un embout-mèche à pointe en carbure de tungstène.

Placez l'embout-mèche à l'endroit prévu pour le trou, puis appuyez sur la gâchette. N'appliquez pas une force excessive sur l'outil. Vous obtiendrez de meilleurs résultats en exerçant une légère pression. Maintenez l'outil en position et évitez qu'il ne glisse à l'extérieur du trou. N'appliquez pas davantage de pression lorsque le trou est bouché par les copeaux et particules. Faites plutôt tourner l'outil au ralenti, puis retirez partiellement l'embout-mèche du trou. En répétant cette opération quelques fois, le trou se débouchera et vous pourrez poursuivre le perçage normalement.

## Poire soufflante


### Accessoire en option



1. Poire soufflante

Une fois le trou percé, utilisez la poire soufflante pour retirer la poussière du trou.

## Perçage

Tournez d'abord la bague de réglage de sorte que le curseur pointe sur l'indication . Procédez ensuite comme suit.

### Perçage du bois

Quand vous percez dans du bois, vous obtiendrez de meilleurs résultats avec des forets à bois munis d'une vis-guide. La vis-guide rend le perçage plus facile en entraînant l'embout-foret dans la pièce.

### Perçage du métal

Pour éviter que l'embout-foret ne glisse lorsque vous commencez à percer un trou, faites une encoche à l'aide d'un pointeau et d'un marteau à l'emplacement où le trou doit être percé. Placez la pointe de l'embout-foret dans l'encoche et commencez le perçage.

Utilisez un lubrifiant de coupe lorsque vous percez dans les métaux. Le fer et le laiton font toutefois exception à cette règle; ils doivent être percés à sec.

**⚠ ATTENTION :** Une pression excessive sur l'outil n'accélère pas le perçage. Au contraire, elle risque d'endommager la pointe de l'embout-foret, d'affecter le rendement de l'outil et de raccourcir sa durée de service.

**⚠ ATTENTION :** Tenez l'outil fermement et faites bien attention lorsque l'embout-foret commence à approcher de la face opposée de la pièce. Une force énorme s'exerce sur l'outil et sur l'embout-foret au moment où ce dernier émerge de la face opposée.

**⚠ ATTENTION :** Un embout-foret coincé peut être retiré simplement en plaçant l'inverseur sur la rotation en sens inverse pour faire reculer l'outil. Il faut toutefois faire très attention, car l'outil risque de reculer brusquement si vous ne le tenez pas fermement.

**⚠ ATTENTION :** Lorsque vous travaillez sur de petites pièces, fixez-les toujours dans un étau ou à l'aide d'un dispositif de retenue similaire.

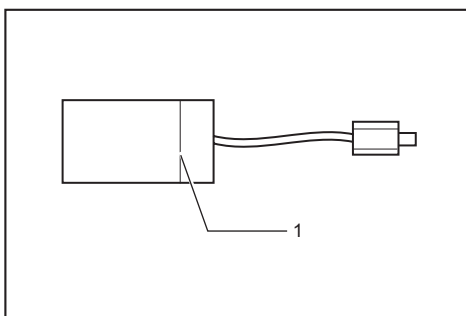
**⚠ ATTENTION :** Si l'outil est utilisé de manière continue jusqu'à ce que la batterie soit déchargée, laissez-le reposer 15 minutes avant de poursuivre l'opération avec une batterie fraîche.

## ENTRETIEN

**⚠ ATTENTION :** Assurez-vous toujours que l'outil est hors tension et que la batterie est retirée avant d'y effectuer tout travail d'inspection ou d'entretien.

**AVIS :** N'utilisez jamais d'essence, de benzine, de solvant, d'alcool ou autres produits similaires. Une décoloration, une déformation ou la formation de fissures peuvent en découler.

### Remplacement des charbons

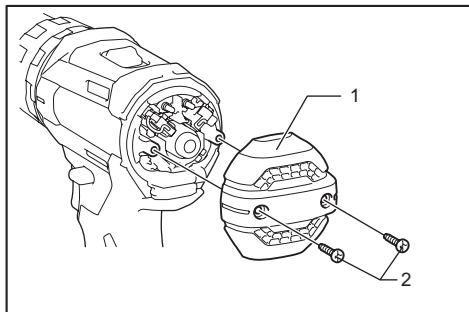


1. Trait de limite d'usure

Vérifiez les charbons régulièrement. Remplacez-les lorsqu'ils sont usés jusqu'au trait de limite d'usure. Maintenez les charbons propres et en état de glisser aisément dans les porte-charbon. Les deux charbons doivent être remplacés en même temps.

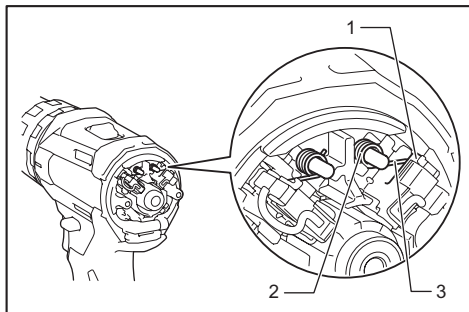
N'utilisez que des charbons identiques.

1. Retirez les deux vis à l'aide d'un tournevis, puis retirez le couvercle arrière.



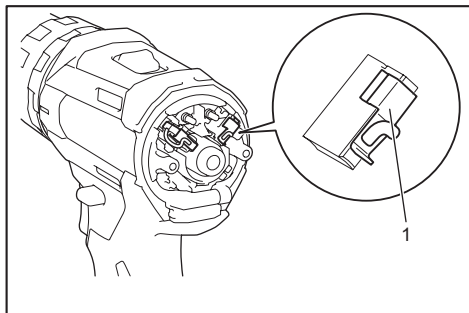
1. Couvercle arrière 2. Vis

2. Soulevez le bras du ressort puis placez-le dans la partie creuse du boîtier à l'aide d'un tournevis à pointe plate et tige mince, ou d'un outil similaire.



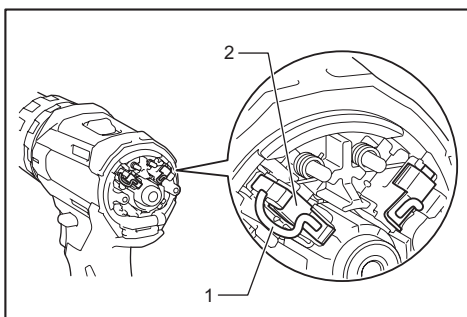
1. Partie creuse 2. Ressort 3. Bras

3. Utilisez une paire de pinces pour retirer les capuchons de charbon. Enlevez les charbons usés, insérez les neufs et remettez en place les capuchons de charbon.



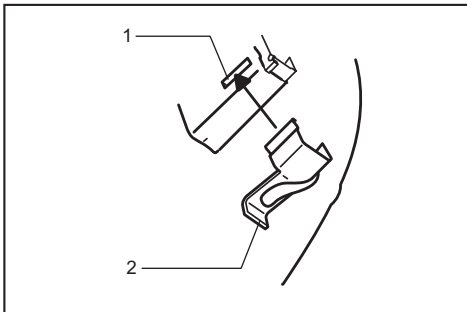
1. Capuchon de charbon

4. Vous devez placer le fil de sortie du côté opposé au bras.



1. Fil de sortie 2. Capuchon de charbon

5. Assurez-vous que les capuchons de charbon sont bien verrouillés dans les orifices des porte-charbons.



1. Orifice 2. Capuchon de charbon

6. Remettez en place le couvercle arrière et serrez fermement les deux vis.

7. Insérez la batterie dans l'outil et rodez les charbons en faisant tourner l'outil à vide pendant environ 1 minute.

8. Vérifiez l'outil pendant qu'il tourne et assurez-vous que le frein électrique fonctionne lorsque vous libérez la gâchette. Si le frein électrique ne fonctionne pas bien, faites réparer l'outil dans un centre de service après-vente autorisé ou une usine Makita.

Pour maintenir la SÉCURITÉ et la FIABILITÉ du produit, les réparations et tout autre travail d'entretien ou de réglage doivent être effectués dans un centre de service après-vente autorisé ou une usine Makita, exclusivement avec des pièces de rechange Makita.

## ACCESSOIRES EN OPTION

**⚠ ATTENTION :** Ces accessoires ou pièces complémentaires sont recommandés pour l'utilisation avec l'outil Makita spécifié dans ce manuel. L'utilisation de tout autre accessoire ou pièce complémentaire peut comporter un risque de blessure. N'utilisez les accessoires ou pièces complémentaires qu'aux fins auxquelles ils ont été conçus.

Si vous désirez obtenir plus de détails sur ces accessoires, veuillez contacter le centre de service après-vente Makita le plus près.

- Embouts-forets
- Embouts-tournevis
- Embout-mèche à pointe de carbure de tungstène
- Poire soufflante
- Support d'embout-tournevis
- Crochet
- Chargeur et batterie authentiques Makita

**NOTE** : Certains éléments de la liste peuvent être inclus avec l'outil comme accessoires standards. Ils peuvent varier suivant les pays.

## **GARANTIE LIMITÉE D'UN AN DE MAKITA**

### **Politique de garantie**

Tous les outils Makita sont soigneusement inspectés et mis à l'essai avant de quitter l'usine. Ils sont garantis contre les vices de fabrication et de matériau pour une période d'UN AN suivant la date de l'achat original. Si un problème survient pendant cette période d'un an, retournez l'outil COMPLET, fret payé d'avance, à une usine ou un centre de service après-vente autorisé Makita. S'il ressort de l'inspection que le problème est dû à un vice de fabrication ou de matériau, Makita réparera (ou remplacera, à son gré) l'outil gratuitement. Cette garantie ne s'applique pas dans les cas où :

- des réparations ont été effectuées ou tentées par un tiers;
- des réparations sont nécessaires en raison de l'usure normale;
- l'outil a été malmené, mal utilisé ou non adéquatement entretenu;
- l'outil a subi des modifications.

**MAKITA NE SERA EN AUCUN CAS RESPONSABLE DE TOUS DOMMAGES INDIRECTS, ACCESSOIRES OU CONSÉCUTIFS DE LA VENTE OU DE L'UTILISATION DU PRODUIT. CET AVIS DE NON-RESPONSABILITÉ S'APPLIQUE PENDANT ET APRÈS LA PÉRIODE COUVERTE PAR CETTE GARANTIE.**

**MAKITA DÉCLINE TOUTE RESPONSABILITÉ QUANT À TOUTES GARANTIES IMPLICITES, Y COMPRIS LES GARANTIES DE « QUALITÉ MARCHANDE » OU D'« ADAPTATION À UN USAGE PARTICULIER » APRÈS LA PÉRIODE DE GARANTIE D'UN AN.**

Cette garantie vous donne des droits légaux spécifiques, et vous pouvez également avoir d'autres droits qui varient d'une province à l'autre. Certaines provinces n'autorisant pas l'exclusion ou la restriction des dommages accessoires ou consécutifs, il se peut que la restriction ou l'exclusion ci-dessus ne s'applique pas à vous. Certaines provinces n'autorisant pas de restriction quant à la durée des garanties implicites, il se peut que la restriction ci-dessus ne s'applique pas à vous.

# ESPECIFICACIONES

Modelo:		XPH10	
Capacidades de taladrado	Concreto	13 mm (1/2")	
	Acero	13 mm (1/2")	
	Madera	38 mm (1-1/2")	
Capacidades de fijación	Tornillo para madera	10 mm x 90 mm (3/8" x 3-1/2")	
	Tornillo de máquina	6 mm (1/4")	
Velocidad sin carga (RPM)	Alta (2)	0 - 1 900 r/min	
	Baja (1)	0 - 600 r/min	
Golpes por minuto	Alto (2)	0 - 28 500 gpm	
	Bajo (1)	0 - 9 000 gpm	
Longitud total	198 mm (7-3/4")		
Tensión nominal	18 V c.c.		
Cartucho de batería estándar	BL1815N, BL1820, BL1820B	BL1830, BL1840, BL1850, BL1840B, BL1850B	
Peso neto	1,5 kg (3,4 lbs)		1,8 kg (3,9 lbs)

- Debido a nuestro continuo programa de investigación y desarrollo, las especificaciones aquí incluidas están sujetas a cambio sin previo aviso.
- Las especificaciones y el cartucho de batería pueden variar de país a país.
- Peso de acuerdo al procedimiento de EPTA-01/2003 incluyendo el cartucho de batería

## Advertencias generales de seguridad para herramientas eléctricas

**⚠ ADVERTENCIA:** Lea todas las advertencias de seguridad e instrucciones. El no seguir las advertencias e instrucciones indicadas puede ocasionar una descarga eléctrica, un incendio y/o lesiones graves.

## Conserve todas las advertencias e instrucciones como referencia en el futuro.

En las advertencias, el término "herramienta eléctrica" se refiere a su herramienta eléctrica de funcionamiento con conexión a la red eléctrica (con cableado eléctrico) o herramienta eléctrica de funcionamiento a batería (inalámbrica).

### Seguridad en el área de trabajo

1. **Mantenga el área de trabajo limpia y bien iluminada.** Las áreas oscuras o desordenadas son propensas a accidentes.
2. **No utilice las herramientas eléctricas en atmósferas explosivas, tal como en la presencia de líquidos, gases o polvo inflamables.** Las herramientas eléctricas crean chispas que pueden prender fuego al polvo o los humos.
3. **Mantenga a los niños y curiosos alejados mientras utiliza una herramienta eléctrica.** Las distracciones le pueden hacer perder el control.

### Seguridad eléctrica

1. **Las clavijas de conexión de las herramientas eléctricas deberán encajar perfectamente en la toma de corriente. No modifique nunca la clavija de conexión de ninguna forma. No utilice ninguna clavija adaptadora con herramientas eléctricas que tengan conexión a tierra (puesta a tierra).** La utilización de clavijas no modificadas y que encajen perfectamente en la toma de corriente reducirá el riesgo de que se produzca una descarga eléctrica.
2. **Evite tocar con el cuerpo superficies conectadas a tierra o puestas a tierra tales como tubos, radiadores, cocinas y refrigeradores.** Si su cuerpo es puesto a tierra o conectado a tierra existirá un mayor riesgo de que sufra una descarga eléctrica.
3. **No exponga las herramientas eléctricas a la lluvia ni a condiciones húmedas.** La entrada de agua en una herramienta eléctrica aumentará el riesgo de que se produzca una descarga eléctrica.
4. **No maltrate el cable. Nunca utilice el cable para transportar, jalar o desconectar la herramienta eléctrica. Mantenga el cable alejado del calor, aceite, objetos cortantes o piezas móviles.** Los cables dañados o enredados aumentan el riesgo de sufrir una descarga eléctrica.
5. **Cuando utilice una herramienta eléctrica en exteriores, utilice un cable de extensión apropiado para uso en exteriores.** La utilización de un cable apropiado para uso en exteriores reducirá el riesgo de que se produzca una descarga eléctrica.
6. **Si no es posible evitar usar una herramienta eléctrica en condiciones húmedas, utilice un**

**alimentador protegido con interruptor de circuito de falla a tierra (ICFT).** El uso de un ICFT reduce el riesgo de descarga eléctrica.

#### Seguridad personal

1. **Manténgase alerta, preste atención a lo que está haciendo y utilice su sentido común cuando opere una herramienta eléctrica. No utilice una herramienta eléctrica cuando esté cansado o bajo la influencia de drogas, alcohol o medicamentos.** Un momento de distracción mientras opera las herramientas eléctricas puede terminar en una lesión grave.
2. **Use equipo de protección personal. Póngase siempre protección para los ojos.** El equipo protector tal como máscara contra el polvo, zapatos de seguridad antiderrapantes, casco rígido y protección para oídos utilizado en las condiciones apropiadas reducirá el riesgo de lesiones.
3. **Impida el encendido accidental. Asegúrese de que el interruptor esté en la posición de apagado antes de conectar a la alimentación eléctrica y/o de colocar el cartucho de batería, así como al levantar o cargar la herramienta.** Cargar las herramientas eléctricas con su dedo en el interruptor o enchufarlas con el interruptor encendido hace que los accidentes sean comunes.
4. **Retire cualquier llave de ajuste o llave de apriete antes de encender la herramienta.** Una llave de ajuste o llave de apriete que haya sido dejada puesta en una parte giratoria de la herramienta eléctrica puede ocasionar alguna lesión.
5. **No utilice la herramienta donde no alcance. Mantenga los pies sobre suelo firme y el equilibrio en todo momento.** Esto permite un mejor control de la herramienta eléctrica en situaciones inesperadas.
6. **Use vestimenta apropiada. No use ropas sueltas ni joyas. Mantenga el cabello, la ropa y los guantes alejados de las piezas móviles.** Las prendas de vestir holgadas, las joyas y el cabello suelto podrían engancharse en las piezas móviles.
7. **Si dispone de dispositivos para la conexión de equipos de extracción y recolección de polvo, asegúrese de conectarlos y utilizarlos debidamente.** Hacer uso de la recolección de polvo puede reducir los riesgos relacionados con el polvo.

#### Mantenimiento y uso de la herramienta eléctrica

1. **No fuerce la herramienta eléctrica. Utilice la herramienta eléctrica correcta para su aplicación.** La herramienta eléctrica adecuada hará un mejor trabajo y de forma más segura a la velocidad para la que ha sido fabricada.
2. **No utilice la herramienta eléctrica si el interruptor no la enciende y apaga.** Cualquier herramienta eléctrica que no pueda ser controlada con el interruptor es peligrosa y debe ser reemplazada.
3. **Desconecte la clavija de la fuente de energía y/o la batería de la herramienta eléctrica antes de realizar ajustes, cambiar accesorios o guardar las herramientas eléctricas.** Dichas medidas de seguridad preventivas reducen el riesgo de

que la herramienta se inicie accidentalmente.

4. **Guarde la herramienta eléctrica que no use fuera del alcance de los niños y no permita que las personas que no están familiarizadas con ella o con las instrucciones la operen.** Las herramientas eléctricas son peligrosas en manos de personas que no saben operarlas.
5. **Realice el mantenimiento a las herramientas eléctricas. Compruebe que no haya partes móviles desalineadas o estancadas, piezas rotas y cualquier otra condición que pueda afectar al funcionamiento de la herramienta eléctrica. Si la herramienta eléctrica está dañada, haga que se la reparen antes de utilizarla.** Muchos accidentes son ocasionados por herramientas eléctricas con mantenimiento inadecuado.
6. **Mantenga las herramientas de corte limpias y filosas.** Si recibe un mantenimiento adecuado y tiene los bordes afilados, es probable que la herramienta se atasque menos y sea más fácil controlarla.
7. **Utilice la herramienta eléctrica, los accesorios y las brocas de acuerdo con estas instrucciones, considerando las condiciones laborales y el trabajo a realizar.** Si utiliza la herramienta eléctrica para realizar operaciones distintas de las indicadas, podrá presentarse una situación peligrosa.

#### Uso y cuidado de la herramienta a batería

1. **Recargue sólo con el cargador especificado por el fabricante.** Un cargador que es adecuado para un solo tipo de batería puede generar riesgo de incendio al ser utilizado con otra batería.
2. **Utilice las herramientas eléctricas solamente con las baterías designadas específicamente para ellas.** La utilización de cualquier otra batería puede crear un riesgo de lesiones o incendio.
3. **Cuando no se esté usando la batería, manténgala alejada de otros objetos metálicos, como sujetapapeles (clips), monedas, llaves, clavos, tornillos u otros objetos pequeños de metal los cuales pueden actuar creando una conexión entre las terminales de la batería.** Originar un cortocircuito en las terminales puede causar quemaduras o incendios.
4. **En condiciones abusivas, podrá escapar líquido de la batería; evite tocarlo. Si lo toca accidentalmente, enjuague con agua. Si hay contacto del líquido con los ojos, busque asistencia médica.** Puede que el líquido expulsado de la batería cause irritación o quemaduras.

#### Servicio

1. **Haga que una persona calificada repare la herramienta eléctrica utilizando sólo piezas de repuesto idénticas.** Esto asegura que se mantenga la seguridad de la herramienta eléctrica.
2. **Siga las instrucciones para la lubricación y cambio de accesorios.**
3. **Mantenga las agarraderas secas, limpias y sin aceite o grasa.**



## Advertencias de seguridad para el rotomartillo atornillador inalámbrico

1. **Utilice protectores de oídos al usar el taladro de percusión.** La exposición al ruido puede producir pérdida auditiva.
2. **Utilice los mango(s) auxiliare(s) que se suministren con la herramienta.** La pérdida de control puede ocasionar lesiones.
3. **Sujete la herramienta eléctrica por las superficies de agarre aisladas al realizar una operación en la que el accesorio de corte pueda estar en contacto con cables ocultos.** Si el accesorio de corte entra en contacto con un cable con corriente, las piezas metálicas expuestas de la herramienta eléctrica se cargarán también de corriente y el operario podrá recibir una descarga eléctrica.
4. **Sujete la herramienta eléctrica por las superficies de agarre aisladas al realizar una operación en la que el sujetador pueda entrar en contacto con cables ocultos.** Si el sujetador entra en contacto con un cable con corriente, las piezas metálicas expuestas de la herramienta eléctrica se cargarán también de corriente y el operario puede recibir una descarga.
5. **Asegúrese siempre de que pisa sobre suelo firme. Asegúrese de que no haya nadie debajo cuando utilice la herramienta en lugares altos.**
6. **Sujete la herramienta con firmeza.**
7. **Mantenga las manos alejadas de las piezas giratorias.**
8. **No deje la herramienta funcionando. Ponga la herramienta en marcha únicamente cuando la tenga con usted.**
9. **No toque la broca o la pieza de trabajo inmediatamente después de utilizarla; podrían estar muy calientes y producirle quemaduras de piel.**
10. **Algunos materiales contienen sustancias químicas que pueden ser tóxicas. Evite inhalar polvo y que éste entre en contacto con la piel. Consulte la hoja de seguridad de materiales del proveedor.**

## GUARDE ESTAS INSTRUCCIONES.

**⚠ ADVERTENCIA:** NO DEJE que la comodidad o familiaridad con el producto (a base de utilizarlo repetidamente) evite que siga estrictamente las normas de seguridad para dicho producto. El USO INCORRECTO o el no seguir las normas de seguridad indicadas en este manual de instrucciones puede ocasionar lesiones graves.

## Símbolos

A continuación se muestran los símbolos utilizados para la herramienta.

v

volts o voltios

	corriente directa o continua
	velocidad sin carga
	revoluciones o alternaciones por minuto, frecuencia de rotación
	número de percusiones

## Instrucciones importantes de seguridad para el cartucho de batería

1. **Antes de utilizar el cartucho de batería, lea todas las instrucciones e indicaciones de precaución en el (1) el cargador de batería, (2) la batería, y (3) el producto con el que se utiliza la batería.**
2. **No desarme el cartucho de batería.**
3. **Si el tiempo de operación se ha acortado en exceso, deje de operar de inmediato. Podría correrse el riesgo de sobrecalentamiento, posibles quemaduras e incluso explosión.**
4. **En caso de que ingresen electrolitos en sus ojos, enjuáguelos bien con agua limpia y consulte de inmediato a un médico. Esto podría ocasionar pérdida de visión.**
5. **Evite cortocircuitar el cartucho de batería:**
  - (1) **No toque las terminales con ningún material conductor.**
  - (2) **Evite guardar el cartucho de batería en un cajón junto con otros objetos metálicos, tales como clavos, monedas, etc.**
  - (3) **No exponga el cartucho de batería al agua o la lluvia.**

Un cortocircuito en la batería puede causar un flujo grande de corriente, sobrecalentamiento, posibles quemaduras e incluso una descompostura.
6. **No guarde la herramienta ni el cartucho de batería en lugares donde la temperatura pueda alcanzar o exceder los 50°C (122°F).**
7. **Nunca incinere el cartucho de batería incluso en el caso de que esté dañado seriamente o ya no sirva en absoluto. El cartucho de batería puede explotar si se tira al fuego.**
8. **Tenga cuidado de no dejar caer ni golpear la batería.**
9. **No use una batería dañada.**
10. **Siga las regulaciones locales relacionadas al desecho de las baterías.**

## GUARDE ESTAS INSTRUCCIONES.

**⚠PRECAUCIÓN:** Utilice únicamente baterías originales de Makita. El uso de baterías no originales de Makita, o de baterías alteradas, puede ocasionar que las baterías exploten causando un incendio, lesiones personales y daños. Asimismo, esto invalidará la garantía de Makita para la herramienta y el cargador Makita.

## Consejos para alargar al máximo la vida útil de la batería

1. Cargue el cartucho de batería antes de que se descargue completamente. Pare siempre la operación y cargue el cartucho de batería cuando note menos potencia en la herramienta.
2. No cargue nunca un cartucho de batería que esté completamente cargado. La sobrecarga acortará la vida de servicio de la batería.
3. Cargue el cartucho de batería a una temperatura ambiente de 10 °C - 40 °C (50 °F - 104 °F). Si un cartucho de batería está caliente, déjelo enfriar antes de cargarlo.
4. Cargue el cartucho de batería si no va a utilizarlo durante un período prolongado (más de seis meses).

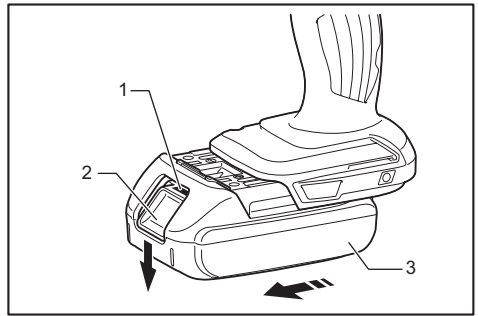
## DESCRIPCIÓN DEL FUNCIONAMIENTO

**⚠PRECAUCIÓN:** Asegúrese siempre de que la herramienta esté apagada y el cartucho de batería haya sido extraído antes de realizar cualquier ajuste o comprobación en la herramienta.

### Instalación o extracción del cartucho de batería

**⚠PRECAUCIÓN:** Apague siempre la herramienta antes de colocar o quitar el cartucho de batería.

**⚠PRECAUCIÓN:** Sujete la herramienta y el cartucho de la batería con firmeza al colocar o quitar el cartucho de batería. Si no se sujeta con firmeza la herramienta y el cartucho de batería, puede ocasionar que se resbalen de sus manos causando daños a la herramienta y al cartucho de batería, así como lesiones a la persona.



1. Indicador rojo 2. Botón 3. Cartucho de batería

Para quitar el cartucho de batería, deslícelo de la herramienta mientras desliza el botón sobre la parte delantera del cartucho.

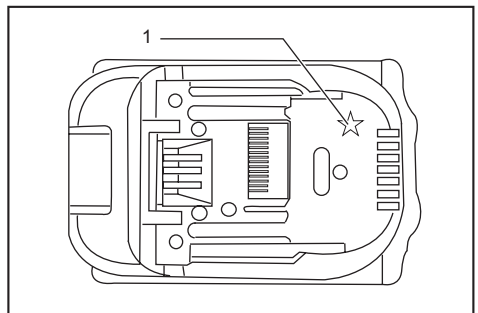
Para colocar el cartucho de batería, alinee la lengüeta sobre el cartucho de batería con la ranura en la carcasa y deslice en su lugar. Inserte por completo hasta que se fije en su lugar con un pequeño clic. Si puede ver el indicador rojo del lado superior del botón, esto indica que no ha quedado fijo por completo.

**⚠PRECAUCIÓN:** Introduzca siempre completamente el cartucho de batería hasta que el indicador rojo no pueda verse. Si no, podría accidentalmente salirse de la herramienta y caer al suelo causando una lesión a usted o alguien a su alrededor.

**⚠PRECAUCIÓN:** No instale el cartucho de batería a la fuerza. Si el cartucho no se desliza al interior fácilmente, se debe a que no está siendo insertado correctamente.

## Sistema de protección de batería

### Batería de ión de litio con marca de estrella



1. Marca de estrella

Las baterías de ión de litio con una marca de estrella están equipadas con un sistema de protección. Este sistema corta en forma automática el suministro de energía a la herramienta para prolongar la vida útil de la batería.

La herramienta se detendrá automáticamente durante el funcionamiento si la herramienta y/o la batería se someten a una de las siguientes condiciones:

### Sobrecarga:

La herramienta se está utilizando de una manera que causa que consuma una cantidad de corriente inusualmente alta.

En este caso, libere el gatillo interruptor en la herramienta y detenga la aplicación que causó que la herramienta se sobrecargara. Luego, vuelva a jalar el gatillo interruptor para reanudar el funcionamiento.

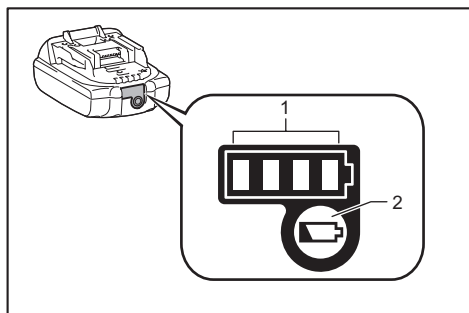
Si la herramienta no empieza a funcionar, significa que la batería se sobrecalentó. En este caso, espere a que la batería se enfríe antes de volver a jalar el gatillo interruptor.

### Bajo voltaje de la batería:

La capacidad restante de la batería es demasiado baja y la herramienta no funcionará. En este caso, extraiga la batería y vuelva a cargarla.

## Indicación de la capacidad restante de la batería

**Sólo para cartuchos de batería con una "B" al final del número de modelo**



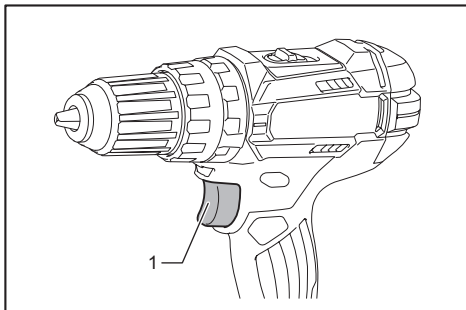
1. Luces indicadoras 2. Botón de verificación

Oprima el botón de verificación en el cartucho de la batería para que indique la capacidad restante de la batería. Las luces indicadoras se iluminarán por algunos segundos.

Luces indicadoras			Capacidad restante
Iluminadas	Apagadas	Parpadeando	
■ ■ ■ ■	□ □ □ □	▬	75% a 100%
■ ■ ■ □	□ □ □ □		50% a 75%
■ ■ □ □	□ □ □ □		25% a 50%
■ □ □ □	□ □ □ □		0% a 25%
▬ □ □ □	□ □ □ □		Cargar la batería.
■ ■ □ □	□ □ □ □	↑ ↓	La batería pudo haber funcionado mal.
□ □ ■ ■	□ □ □ □		

**NOTA:** Dependiendo de las condiciones de uso y la temperatura ambiente, la indicación podrá diferir ligeramente de la capacidad real.

## Accionamiento del interruptor



1. Gatillo interruptor

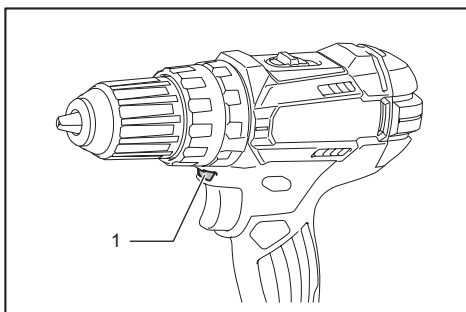
**PRECAUCIÓN:** Antes de insertar el cartucho de batería en la herramienta, compruebe siempre y cerciórese de que el gatillo interruptor se acciona debidamente y que vuelve a la posición "OFF" (apagado) cuando lo suelta.

Para poner en marcha la herramienta, simplemente apriete el gatillo interruptor. La velocidad de la herramienta aumenta incrementando la presión en el gatillo. Para detenerla, suelte el gatillo.

## Freno eléctrico

La herramienta está equipada con un freno eléctrico. Si la herramienta falla constantemente en detenerse tras soltar el gatillo interruptor, lleve la herramienta a mantenimiento a un centro de servicio Makita.

## Iluminación de la luz delantera



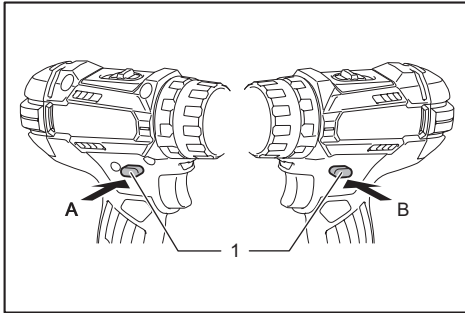
1. Luz

**PRECAUCIÓN:** No mire a la luz ni vea a la fuente de luz directamente.

Jale el gatillo interruptor para encender la luz. La luz seguirá encendida mientras se esté jalando el gatillo. La luz se apaga 10 segundos - 15 segundos después de soltarse el gatillo.

**NOTA:** Utilice un paño seco para quitar la suciedad de la lente de la lámpara. Tenga cuidado de no rayar la lente de la lámpara ya que la iluminación podría disminuir.

## Accionamiento del conmutador de inversión de giro



1. Palanca del interruptor de inversión

**PRECAUCIÓN:** Confirme siempre la dirección de rotación antes de la operación.

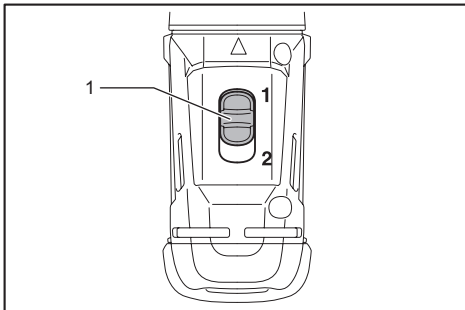
**PRECAUCIÓN:** Utilice el conmutador de inversión solamente después de que la herramienta haya parado completamente. Si cambia la dirección de rotación antes de que la herramienta haya parado podría dañarla.

**PRECAUCIÓN:** Cuando no esté utilizando la herramienta, ponga siempre la palanca del conmutador de inversión en la posición neutral.

Esta herramienta tiene un conmutador de inversión para cambiar la dirección de rotación. Presione la palanca del conmutador de inversión desde el lado A para una rotación en sentido de las manecillas del reloj o desde el lado B, para una rotación en sentido inverso al de las manecillas del reloj.

Cuando la palanca del conmutador de inversión esté en la posición neutral, no se podrá jalar el gatillo conmutador.

## Cambio de velocidad



1. Palanca de cambio de velocidad

**PRECAUCIÓN:** Coloque siempre la palanca de cambio de velocidad exactamente en la posición correcta. Si usted utiliza la herramienta con la palanca de cambio de velocidad puesta a medias entre la posición "1" y "2", la herramienta puede dañarse.

**PRECAUCIÓN:** No utilice la palanca de cambio de velocidad mientras la herramienta está en marcha. La herramienta puede dañarse.

Posición de la palanca de cambio de velocidad	Velocidad	Torsión	Operación aplicable
1	Baja	Alta	Operación de carga pesada
2	Alta	Baja	Operación de carga ligera

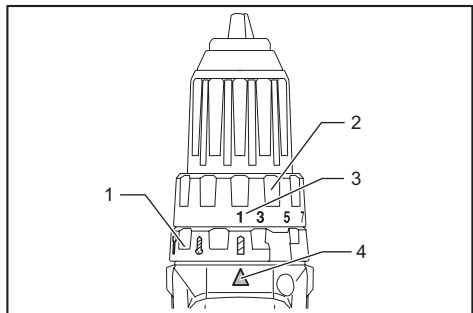
Para cambiar la velocidad, primero apague la herramienta. Luego, seleccione la posición "2" para alta velocidad y la "1" para baja velocidad pero con torsión alta. Asegúrese de que la palanca de cambio de velocidad esté ajustada a la posición correcta antes de iniciar la operación.

Si la velocidad de la herramienta se reduce extremadamente durante la operación en la posición "2", deslice la palanca a la posición "1" y reinicie la operación.

## Selección del modo de accionamiento




**PRECAUCIÓN:** Ponga siempre el anillo correctamente en la marca del modo que desee. Si utiliza la herramienta con el anillo puesto a medias entre las marcas de modo, la herramienta podrá dañarse.

**PRECAUCIÓN:** Cuando cambie de posición de " " a otros modos, puede resultar algo difícil deslizar el anillo de cambio de modo de accionamiento. En este caso, encienda y ponga a funcionar la herramienta durante un segundo en la posición " " , luego detenga la herramienta y deslice el anillo a la posición deseada.



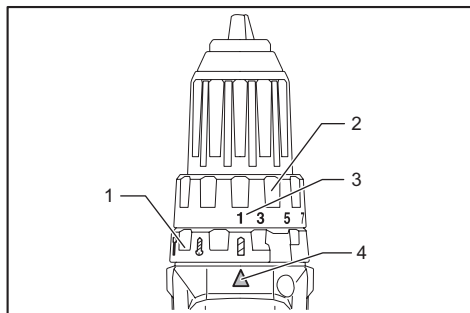
1. Anillo de cambio de modo de accionamiento  
2. Anillo de ajuste 3. Graduación 4. Flecha

Esta herramienta cuenta con tres modos de accionamiento.

-  Modo de taladrado (rotación solamente)
-  Modo de taladrado y martilleo (rotación con percusión)
-  Modo de atornillado (rotación con embrague)

Seleccione el modo apropiado para el trabajo en cuestión. Gire el anillo de cambio de modo de accionamiento y alinee la marca que haya seleccionado con la flecha en el cuerpo de la herramienta.

## Ajuste de la torsión de apriete



1. Anillo de cambio de modo de accionamiento  
2. Anillo de ajuste    3. Graduación    4. Flecha

La fijación de torsión puede ajustarse en 21 niveles al girar el anillo de ajuste. Alinee las graduaciones con la flecha en el cuerpo de la herramienta. Puede conseguir una fijación de torsión mínima en 1 y una torsión máxima en 21. Antes de la operación real, coloque un tornillo de prueba en el material o algún duplicado del material para determinar qué nivel de torsión se requiere para la aplicación particular. A continuación se muestra una idea general de la relación entre el tamaño del tornillo y la graduación.

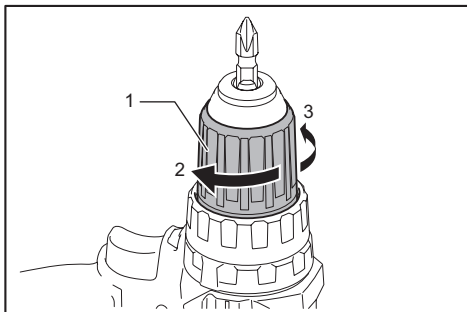
Graduación		1	2	3	4	5	6	7	8	9	10	11	12	13	14	15	16	17	18	19	20	21
Tornillo de máquina		4 mm				5 mm						6 mm										
Tornillo para madera	Madera blanda (Ej. pino)	-					φ3,5 mm x 22 mm			φ4,1 mm x 38 mm			-									
	Madera dura (Ej. lauan)	-				φ3,5 mm x 22 mm			φ4,1 mm x 38 mm			-										

## MONTAJE

**⚠ PRECAUCIÓN:** Asegúrese siempre de que la herramienta esté apagada y el cartucho de batería haya sido extraído antes de realizar cualquier trabajo en la misma.

## Instalación o extracción de la punta de destornillador/broca de taladro

Accesorio opcional

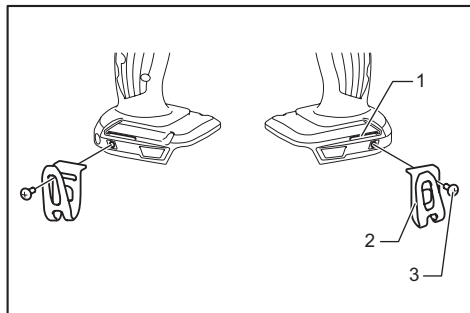


1. Mandril    2. Cerrar    3. Abrir

Gire el mandril en sentido inverso al de las manecillas del reloj para abrir las garras de la prensa de sujeción. Inserte la punta de destornillador/broca de taladro

completamente en la prensa de sujeción. Gire el mandril en sentido de las manecillas del reloj para apretar la prensa de sujeción. Para extraer la punta de destornillador/broca de taladro, gire el mandril en sentido inverso al de las manecillas del reloj.

## Instalación del gancho

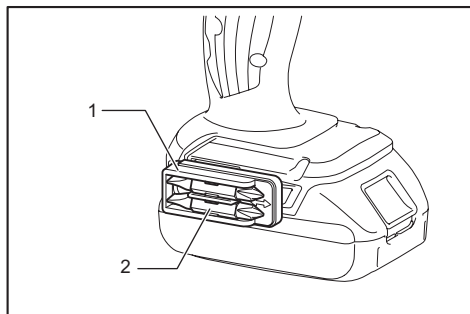


1. Ranura 2. Gancho 3. Tornillo

El gancho resulta útil para colgar temporalmente la herramienta. Se puede instalar en cualquiera de los lados de la herramienta. Para instalar el gancho, insértelo en una ranura de la carcasa de la herramienta de cualquiera de los lados y después sujételo con un tornillo. Para quitarlo, afloje el tornillo y después sáquelo.

## Instalación del portabrocas

### Accesorio opcional



1. Portabrocas 2. Punta de destornillador

Coloque el portabrocas en la protuberancia en la base de la herramienta o ya sea del lado derecho o izquierdo y asegúrelo con un tornillo.

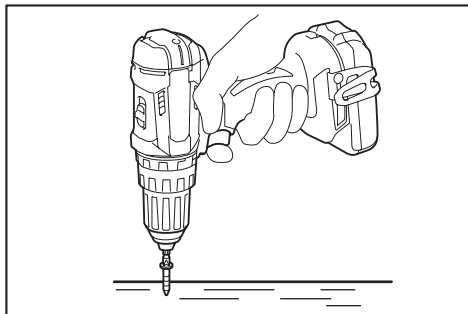
Cuando no utilice la punta de destornillador, manténgala dentro del portabrocas. Las puntas de destornillador de 45 mm de largo (1-3/4") se pueden guardar ahí.

## OPERACIÓN

**PRECAUCIÓN:** Siempre inserte por completo el cartucho de batería hasta que se fije en su lugar. Si puede ver la parte roja del lado superior del botón, esto indica que no ha quedado completamente fijo. Insértelo hasta el fondo hasta que la parte roja no pueda verse. Si no, podría accidentalmente salirse de la herramienta y caer al suelo causando una lesión a usted o alguien a su alrededor.

**PRECAUCIÓN:** Cuando la velocidad baje demasiado, reduzca la carga o detenga la herramienta para evitar daños en ésta.


Sujete firmemente la herramienta con una mano en la agarradera y otra en la parte inferior del cartucho de batería para controlar la acción de torsión.



## Operación de atornillado

**PRECAUCIÓN:** Coloque el anillo de ajuste en el nivel de torsión apropiado para su trabajo.


**PRECAUCIÓN:** Asegúrese de que la punta de destornillador se inserte exactamente en la cabeza del tornillo, de lo contrario el tornillo y/o la punta de destornillador pueden dañarse.

En primer lugar, gire el anillo de cambio de modo de accionamiento de forma que la flecha que hay en el cuerpo de la herramienta apunte a la  marca. Coloque la punta de la punta de destornillador sobre la cabeza del tornillo y aplique presión en la herramienta. Haga funcionar la herramienta lentamente y después aumente la velocidad gradualmente. Suelte el gatillo interruptor en cuanto el embrague patine.

**NOTA:** Cuando atornille en madera, taladre primero un orificio de 2/3 del diámetro del tornillo. Esto facilita la operación y evita que la pieza de trabajo se rompa en dos.

## Operación de taladrado con percusión

**⚠️ PRECAUCIÓN:** En el momento de comenzar a penetrar, cuando se atasca el agujero con virutas y partículas, o cuando se topa contra varillas de refuerzo de hormigón armado, se ejerce una tremenda y repentina fuerza de torsión sobre la herramienta/broca.

En primer lugar, gire el anillo de cambio de modo de accionamiento de forma que la flecha que hay en el cuerpo de la herramienta apunte a la  marca. El anillo de ajuste puede estar alineado en cualquier nivel de torsión para esta operación.

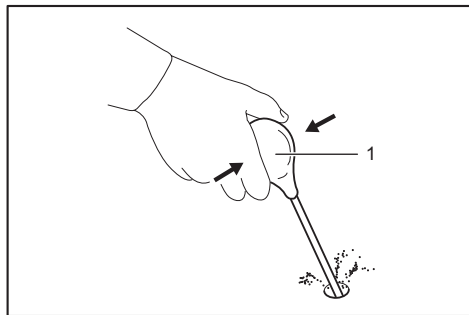
Asegúrese de utilizar una broca con punta de carburo de tungsteno.

Coloque la broca donde desee hacer el agujero, después jale el gatillo interruptor. No fuerce la herramienta. Los mejores resultados se obtienen con una ligera presión. Mantenga la herramienta en posición y evite que se deslice y se salga del agujero.

No aplique más presión cuando el agujero se atore con virutas y partículas. En su lugar, haga funcionar la herramienta sin presión, después saque parcialmente la broca del agujero. Repitiendo esto varias veces, se limpiará el agujero y se podrá reanudar el taladrado normal.

## Soplador


### Accesorio opcional



1. Soplador

Después de taladrar el agujero, utilice el soplador para limpiar el polvo del agujero.

## Operación de taladrado

Primero, gire el anillo de ajuste de manera que el indicador quede apuntando a la marca . Después siga con lo siguiente.

## Taladrado en madera

Cuando taladre en madera, podrá obtener mejores resultados si utiliza brocas para madera equipadas con un tornillo guía. El tornillo guía facilita el taladrado jalando la broca de taladro hacia el interior de la pieza de trabajo.

## Taladrado en metal

Para evitar que la broca de taladro resbale una vez que comience a hacer el orificio, haga un surco con punzón y un martillo en el punto a taladrar. Coloque la punta de la broca de taladro en el surco y comience a taladrar. Utilice un lubricante para corte cuando taladre metales. Salvo en el caso de hierro y bronce, los cuales deberán ser taladrados en seco.

**⚠️ PRECAUCIÓN:** Ejercer una presión excesiva sobre la herramienta no hará que consiga taladrar más rápido. De hecho, una presión excesiva sólo logrará dañar la punta de la broca de taladro, reducir el desempeño y acortar la vida útil de la herramienta.

**⚠️ PRECAUCIÓN:** Sujete firmemente la herramienta y tenga cuidado cuando la broca de taladro comience a penetrar en la pieza de trabajo. La fuerza ejercida en la herramienta/broca de taladro al momento de la penetración es enorme.

**⚠️ PRECAUCIÓN:** Para extraer una broca de taladro atorada, basta simplemente con ajustar el interruptor de inversión en rotación inversa para hacerla retroceder. Sin embargo, la herramienta puede retroceder bruscamente si no la sujeta con firmeza.

**⚠️ PRECAUCIÓN:** Siempre asegure las piezas de trabajo pequeñas con un tornillo de banco o un dispositivo similar.

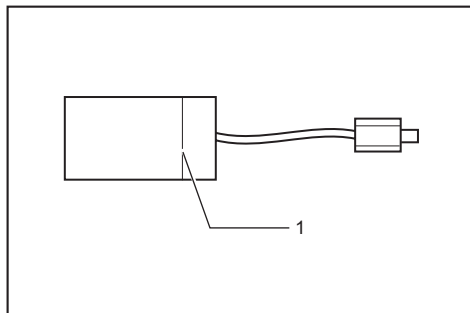
**⚠️ PRECAUCIÓN:** Si utiliza la herramienta de forma continua hasta que el cartucho de batería se descargue, deje descansar la herramienta durante 15 minutos antes de proceder con una batería llena.

## MANTENIMIENTO

**⚠️ PRECAUCIÓN:** Asegúrese siempre de que la herramienta esté apagada y el cartucho de batería extraído antes de intentar realizar una inspección o mantenimiento.

**AVISO:** Nunca use gasolina, bencina, diluyente (tiner), alcohol o sustancias similares. Puede que esto ocasione grietas o decoloramiento.

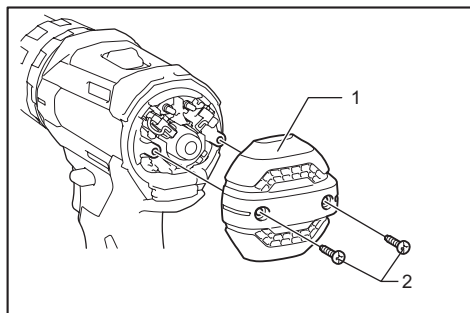
## Reemplazo de las escobillas de carbón



1. Marca límite

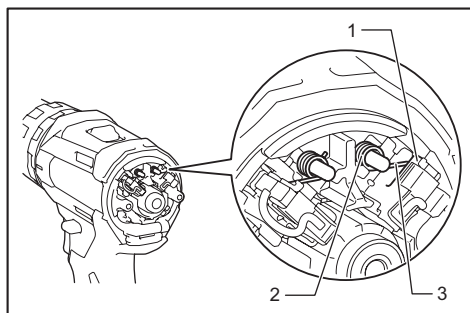
Inspeccione regularmente las escobillas de carbón. Reemplácelas una vez que se hayan desgastado hasta la marca límite. Mantenga las escobillas de carbón limpias de forma que entren libremente en los portaescobillas. Ambas escobillas de carbón deberán ser reemplazadas al mismo tiempo. Utilice únicamente escobillas de carbón idénticas.

1. Utilice un destornillador para quitar los dos tornillos y después quite la cubierta posterior.



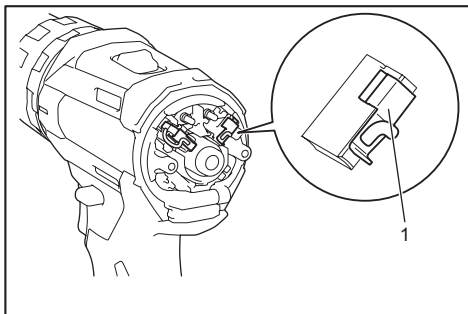
1. Cubierta posterior 2. Tornillo

2. Levante la parte del brazo del resorte y después póngalo en la parte empotrada del alojamiento con un destornillador de punta plana de eje largo y fino o similar.



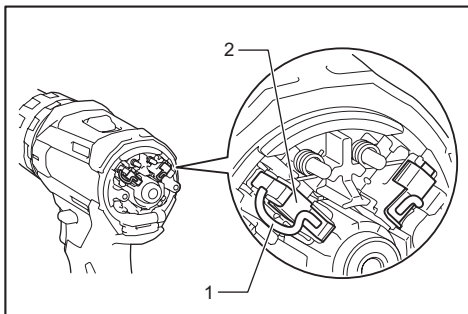
1. Parte empotrada 2. Resorte 3. Brazo

3. Utilice tenazas para quitar las tapas de las escobillas de carbón. Quite las escobillas de carbón gastadas, inserte las nuevas y reemplace las tapas de las escobillas de carbón a la inversa.



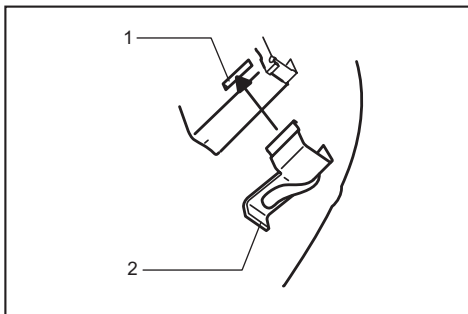
1. Tapa de las escobillas de carbón

4. Asegúrese de colocar el cable conductor en el lado opuesto al del brazo.



1. Cable conductor 2. Tapa de las escobillas de carbón

5. Asegúrese de que las tapas de las escobillas de carbón hayan encajado en forma segura en los orificios de los portaescobillas.



1. Orificio 2. Tapa de las escobillas de carbón

6. Vuelva a instalar la cubierta posterior y apriete los dos tornillos firmemente.

7. Inserte el cartucho de batería en la herramienta y hágale el rodaje a las escobillas haciendo funcionar la herramienta sin carga durante 1 minuto aproximadamente.



8. Verifique la herramienta en funcionamiento y la operación del freno eléctrico cuando suelte el gatillo interruptor. Si el freno eléctrico no funciona bien, pida a su centro de servicio autorizado o de fábrica Makita que se lo repare.

Para mantener la SEGURIDAD y FIABILIDAD del producto, las reparaciones, y cualquier otra tarea de mantenimiento o ajuste deberán ser realizadas en centros de servicio autorizados o de fábrica Makita, empleando siempre repuestos Makita.

## ACCESORIOS OPCIONALES

**⚠PRECAUCIÓN:** Estos accesorios o aditamentos están recomendados para utilizarse con su herramienta Makita especificada en este manual. El empleo de cualquier otro accesorio o aditamento puede conllevar el riesgo de lesiones personales. Utilice los accesorios o aditamentos solamente para su fin establecido.

Si necesita cualquier ayuda para más detalles en relación con estos accesorios, pregunte a su centro de servicio local Makita.

- Brocas de taladro
- Puntas de destornillador
- Broca con punta de carburo de tungsteno
- Soplador
- Portabrocas
- Gancho
- Batería y cargador originales de Makita

**NOTA:** Algunos de los artículos en la lista pueden incluirse en el paquete de la herramienta como accesorios estándar. Éstos pueden variar de país a país.

## GARANTÍA LIMITADA DE UN AÑO DE MAKITA

### Ésta Garantía no aplica para México Política de garantía

Cada herramienta Makita es inspeccionada y probada exhaustivamente antes de salir de la fábrica. Se garantiza que está libre de defectos de mano de obra y materiales por el período de UN AÑO a partir de la fecha original de compra. Si durante este período de un año se desarrollara algún problema, devuelva la herramienta COMPLETA, con el envío prepagado, a un centro de servicio autorizado o de fábrica Makita. Si la inspección muestra que el problema ha sido a causa de un defecto de mano de obra o material, Makita hará la reparación (o a su discreción, el reemplazo) sin ningún cargo. Esta garantía no aplica cuando:

- las reparaciones se hayan hecho o intentado hacer por otros;
- se requieran reparaciones debido al desgaste normal;
- la herramienta haya sido maltratada, recibido un mal uso o haya recibido un mantenimiento inapropiado;

- se hayan hecho modificaciones a la herramienta.

EN NINGÚN CASO MAKITA SE HARÁ RESPONSABLE DE NINGÚN DAÑO INDIRECTO, INCIDENTAL, O DERIVADO DE LA VENTA O USO DEL PRODUCTO. ESTE DESCARGO DE RESPONSABILIDAD APLICA DURANTE Y DESPUÉS DEL PLAZO DE ESTA GARANTÍA. MAKITA RENUNCIA A LA RESPONSABILIDAD POR CUALQUIER GARANTÍA IMPLÍCITA, INCLUYENDO GARANTÍAS DE "COMERCIABILIDAD" Y "ADECUACIÓN PARA UN PROPÓSITO ESPECÍFICO", DESPUÉS DEL PLAZO DE UN AÑO DE ESTA GARANTÍA.

Esta garantía le concede derechos legales específicos y usted podrá tener también otros derechos que varían de un estado a otro. Algunos estados no permiten la exclusión o limitación de daños incidentales o consecuentes, por lo que la limitación o exclusión arriba mencionada podría no aplicar para usted. Algunos estados no permiten la limitación sobre la duración de una garantía implícita, por lo que la limitación arriba mencionada podría no aplicar para usted.





< USA only >

# WARNING

Some dust created by power sanding, sawing, grinding, drilling, and other construction activities contains chemicals known to the State of California to cause cancer, birth defects or other reproductive harm. Some examples of these chemicals are:

- lead from lead-based paints,
- crystalline silica from bricks and cement and other masonry products, and
- arsenic and chromium from chemically-treated lumber.

Your risk from these exposures varies, depending on how often you do this type of work. To reduce your exposure to these chemicals: work in a well ventilated area, and work with approved safety equipment, such as those dust masks that are specially designed to filter out microscopic particles.

< Sólo en los Estados Unidos >

# ADVERTENCIA

Algunos polvos creados por el lijado, aserrado, esmerilado, taladrado y otras actividades de la construcción contienen sustancias químicas reconocidas por el Estado de California como causantes de cáncer, defectos de nacimiento y otros peligros de reproducción. Algunos ejemplos de estos productos químicos son:

- plomo de pinturas a base de plomo,
- sílice cristalino de ladrillos y cemento y otros productos de albañilería, y
- arsénico y cromo de maderas tratadas químicamente.

El riesgo al que se expone varía, dependiendo de la frecuencia con la que realice este tipo de trabajo. Para reducir la exposición a estos productos químicos: trabaje en un área bien ventilada y póngase el equipo de seguridad indicado, tal como las máscaras contra polvo que están especialmente diseñadas para filtrar partículas microscópicas.

**Makita Corporation**

3-11-8, Sumiyoshi-cho,  
Anjo, Aichi 446-8502 Japan

[www.makita.com](http://www.makita.com)

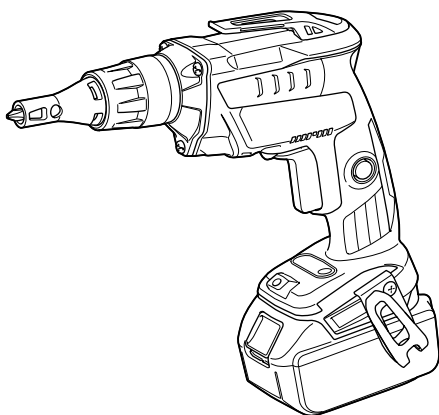
885433-945  
XPH10-1  
EN, FRCA,  
ESMX  
20150703

INSTRUCTION MANUAL  
MANUEL D'INSTRUCTION  
MANUAL DE INSTRUCCIONES



# Cordless Screwdriver Visseuse sans Fil Atornillador Inalámbrico

XSF03



015159

**IMPORTANT:** Read Before Using.  
**IMPORTANT:** Lire avant usage.  
**IMPORTANTE:** Leer antes de usar.

## ENGLISH (Original instructions)

# SPECIFICATIONS

Model		XSF03	
Capacities	Self drilling screw	6 mm (1/4")	
	Drywall screw	5 mm (3/16")	
No load speed (RPM)		0 - 4,000 /min	
Overall length		251 mm (9-7/8")	
Net weight		1.5 kg (3.2 lbs)	1.7 kg (3.8 lbs)
Rated voltage		D.C. 18 V	
Standard battery cartridges		BL1815 / BL1815N / BL1820	BL1830 / BL1840 / BL1850

- Due to our continuing program of research and development, the specifications herein are subject to change without notice.
- Specifications and battery cartridge may differ from country to country.
- Weight, with battery cartridge, according to EPTA-Procedure 01/2003

GEA006-2

## General Power Tool Safety

### Warnings

**⚠ WARNING** Read all safety warnings and all instructions. Failure to follow the warnings and instructions may result in electric shock, fire and/or serious injury.

### Save all warnings and instructions for future reference.

The term "power tool" in the warnings refers to your mains-operated (corded) power tool or battery-operated (cordless) power tool.

#### Work area safety

1. **Keep work area clean and well lit.** Cluttered or dark areas invite accidents.
2. **Do not operate power tools in explosive atmospheres, such as in the presence of flammable liquids, gases or dust.** Power tools create sparks which may ignite the dust or fumes.
3. **Keep children and bystanders away while operating a power tool.** Distractions can cause you to lose control.

#### Electrical safety

4. **Power tool plugs must match the outlet. Never modify the plug in any way. Do not use any adapter plugs with earthed (grounded) power tools.** Unmodified plugs and matching outlets will reduce risk of electric shock.
5. **Avoid body contact with earthed or grounded surfaces such as pipes, radiators, ranges and refrigerators.** There is an increased risk of electric shock if your body is earthed or grounded.
6. **Do not expose power tools to rain or wet conditions.** Water entering a power tool will increase the risk of electric shock.

7. **Do not abuse the cord. Never use the cord for carrying, pulling or unplugging the power tool. Keep cord away from heat, oil, sharp edges or moving parts.** Damaged or entangled cords increase the risk of electric shock.
8. **When operating a power tool outdoors, use an extension cord suitable for outdoor use.** Use of a cord suitable for outdoor use reduces the risk of electric shock.
9. **If operating a power tool in a damp location is unavoidable, use a ground fault circuit interrupter (GFCI) protected supply.** Use of an GFCI reduces the risk of electric shock.

#### Personal safety

10. **Stay alert, watch what you are doing and use common sense when operating a power tool. Do not use a power tool while you are tired or under the influence of drugs, alcohol or medication.** A moment of inattention while operating power tools may result in serious personal injury.
11. **Use personal protective equipment. Always wear eye protection.** Protective equipment such as dust mask, non-skid safety shoes, hard hat, or hearing protection used for appropriate conditions will reduce personal injuries.
12. **Prevent unintentional starting. Ensure the switch is in the off-position before connecting to power source and/or battery pack, picking up or carrying the tool.** Carrying power tools with your finger on the switch or energising power tools that have the switch on invites accidents.
13. **Remove any adjusting key or wrench before turning the power tool on.** A wrench or a key left attached to a rotating part of the power tool may result in personal injury.
14. **Do not overreach. Keep proper footing and balance at all times.** This enables better control of the power tool in unexpected situations.

15. **Dress properly. Do not wear loose clothing or jewellery. Keep your hair, clothing, and gloves away from moving parts.** Loose clothes, jewellery or long hair can be caught in moving parts.
16. **If devices are provided for the connection of dust extraction and collection facilities, ensure these are connected and properly used.** Use of dust collection can reduce dust-related hazards.

#### **Power tool use and care**

17. **Do not force the power tool. Use the correct power tool for your application.** The correct power tool will do the job better and safer at the rate for which it was designed.
18. **Do not use the power tool if the switch does not turn it on and off.** Any power tool that cannot be controlled with the switch is dangerous and must be repaired.
19. **Disconnect the plug from the power source and/or the battery pack from the power tool before making any adjustments, changing accessories, or storing power tools.** Such preventive safety measures reduce the risk of starting the power tool accidentally.
20. **Store idle power tools out of the reach of children and do not allow persons unfamiliar with the power tool or these instructions to operate the power tool.** Power tools are dangerous in the hands of untrained users.
21. **Maintain power tools. Check for misalignment or binding of moving parts, breakage of parts and any other condition that may affect the power tool's operation. If damaged, have the power tool repaired before use.** Many accidents are caused by poorly maintained power tools.
22. **Keep cutting tools sharp and clean.** Properly maintained cutting tools with sharp cutting edges are less likely to bind and are easier to control.
23. **Use the power tool, accessories and tool bits etc. in accordance with these instructions, taking into account the working conditions and the work to be performed.** Use of the power tool for operations different from those intended could result in a hazardous situation.

#### **Battery tool use and care**

24. **Recharge only with the charger specified by the manufacturer.** A charger that is suitable for one type of battery pack may create a risk of fire when used with another battery pack.
25. **Use power tools only with specifically designated battery packs.** Use of any other battery packs may create a risk of injury and fire.

26. **When battery pack is not in use, keep it away from other metal objects, like paper clips, coins, keys, nails, screws or other small metal objects, that can make a connection from one terminal to another.** Shorting the battery terminals together may cause burns or a fire.
27. **Under abusive conditions, liquid may be ejected from the battery; avoid contact. If contact accidentally occurs, flush with water. If liquid contacts eyes, additionally seek medical help.** Liquid ejected from the battery may cause irritation or burns.

#### **Service**

28. **Have your power tool serviced by a qualified repair person using only identical replacement parts.** This will ensure that the safety of the power tool is maintained.
29. **Follow instruction for lubricating and changing accessories.**
30. **Keep handles dry, clean and free from oil and grease.**

GEB050-2

## **CORDLESS SCREWDRIVER SAFETY WARNINGS**

1. **Hold power tool by insulated gripping surfaces, when performing an operation where the fastener may contact hidden wiring.** Fasteners contacting a "live" wire may make exposed metal parts of the power tool "live" and could give the operator an electric shock.
2. **Always be sure you have a firm footing. Be sure no one is below when using the tool in high locations.**
3. **Hold the tool firmly.**
4. **Keep hands away from rotating parts.**
5. **Do not touch the bit or the workpiece immediately after operation; they may be extremely hot and could burn your skin.**

## **SAVE THESE INSTRUCTIONS.**

### **⚠WARNING:**

**DO NOT** let comfort or familiarity with product (gained from repeated use) replace strict adherence to safety rules for the subject product. **MISUSE** or failure to follow the safety rules stated in this instruction manual may cause serious personal injury.

## Symbols

The followings show the symbols used for tool.

v	· volts
—	· direct current
n <sub>0</sub>	· no load speed
.../min r/min	· revolutions or reciprocation per minute

ENC007-8

## IMPORTANT SAFETY INSTRUCTIONS

### FOR BATTERY CARTRIDGE

1. Before using battery cartridge, read all instructions and cautionary markings on (1) battery charger, (2) battery, and (3) product using battery.
2. Do not disassemble battery cartridge.
3. If operating time has become excessively shorter, stop operating immediately. It may result in a risk of overheating, possible burns and even an explosion.
4. If electrolyte gets into your eyes, rinse them out with clear water and seek medical attention right away. It may result in loss of your eyesight.
5. Do not short the battery cartridge:
  - (1) Do not touch the terminals with any conductive material.
  - (2) Avoid storing battery cartridge in a container with other metal objects such as nails, coins, etc.
  - (3) Do not expose battery cartridge to water or rain.

A battery short can cause a large current flow, overheating, possible burns and even a breakdown.

6. Do not store the tool and battery cartridge in locations where the temperature may reach or exceed 50 ° C (122 ° F).
7. Do not incinerate the battery cartridge even if it is severely damaged or is completely worn out. The battery cartridge can explode in a fire.
8. Be careful not to drop or strike battery.
9. Do not use a damaged battery.
10. Follow your local regulations relating to disposal of battery.

### Tips for maintaining maximum battery life

1. Charge the battery cartridge before completely discharged. Always stop tool operation and charge the battery cartridge when you notice less tool power.
2. Never recharge a fully charged battery cartridge. Overcharging shortens the battery service life.
3. Charge the battery cartridge with room temperature at 10 ° C - 40 ° C (50 ° F - 104 ° F). Let a hot battery cartridge cool down before charging it.
4. Charge the battery cartridge once in every six months if you do not use it for a long period of time.

## SAVE THESE INSTRUCTIONS.

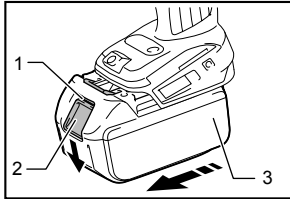


## FUNCTIONAL DESCRIPTION

### ⚠CAUTION:

- Always be sure that the tool is switched off and the battery cartridge is removed before adjusting or checking function on the tool.

### Installing or removing battery cartridge



1. Red indicator
2. Button
3. Battery cartridge

015161

### ⚠CAUTION:

- Always switch off the tool before installing or removing of the battery cartridge.
- **Hold the tool and the battery cartridge firmly when installing or removing battery cartridge.** Failure to hold the tool and the battery cartridge firmly may cause them to slip off your hands and result in damage to the tool and battery cartridge and a personal injury.

To remove the battery cartridge, slide it from the tool while sliding the button on the front of the cartridge.

To install the battery cartridge, align the tongue on the battery cartridge with the groove in the housing and slip it into place. Insert it all the way until it locks in place with a little click. If you can see the red indicator on the upper side of the button, it is not locked completely.

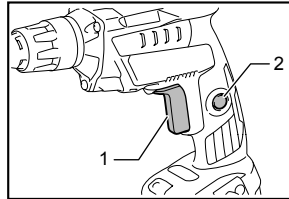
### ⚠CAUTION:

- Always install the battery cartridge fully until the red indicator cannot be seen. If not, it may accidentally fall out of the tool, causing injury to you or someone around you.
- Do not install the battery cartridge forcibly. If the cartridge does not slide in easily, it is not being inserted correctly.

### Switch action

### ⚠CAUTION:

- Before inserting the battery cartridge into the tool, always check to see that the switch trigger actuates properly and returns to the "OFF" position when released.
- Switch can be locked in "ON" position for ease of operator comfort during extended use. Apply caution when locking tool in "ON" position and maintain firm grasp on tool.



1. Switch trigger
2. Lock button

015162

To start the tool, simply pull the switch trigger. Tool speed is increased by increasing pressure on the switch trigger. Release the switch trigger to stop.

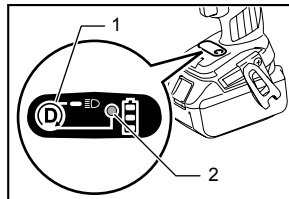
For continuous operation, pull the switch trigger, push in the lock button and then release the trigger.

To stop the tool from the locked position, pull the switch trigger fully, and then release it.

### NOTE:

- Even with the switch on and motor running, the bit does not rotate. Push the tool forward to engage the clutch.
- The tool automatically stops if the motor keeps rotating for about 6 minutes.

### Push drive mode



1. Button
2. Mode indicator

015173

This tool has push drive mode. In this mode, the tool cuts off power to the motor to save the battery power at idle.

To select push drive mode, pull the trigger slightly, then release it and quickly press the button. The mode indicator will then light up.

Once push drive is activated, pull the switch trigger and then push the lock button. Apply pressure to the bit and the motor will start rotating. Further pressure engages the clutch and the bit will start rotating. In push drive mode, the motor and the driver bit will only rotate by applying pressure.

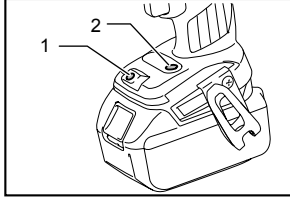
### NOTE:

- If the tool does not run for about 8 hours in push drive mode with the trigger locked on, tool is shutdown. In such a case, release and pull the trigger again for restarting.

## Electric brake

This tool is equipped with an electric brake. If the tool consistently fails to quickly stop after switch trigger release, have tool serviced at a Makita service center.

## Lighting up the lamp



1. Lamp
2. Button

015163

To turn on the lamp, slightly pull the switch trigger, release it and then press the button for a few seconds. The lamp turns on. The lamp goes out approximately 10 seconds after releasing the switch trigger. To turn on the lamp again, slightly pull the switch trigger again.

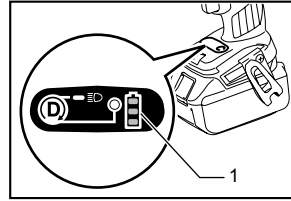
To keep turning off the light, slightly pull the switch trigger and release it. Then press the button a few seconds.

In push drive mode with the switch trigger locked, the lamp goes out approximately one minute after the motor stops.

### NOTE:

- While pulling the switch trigger, the lamp mode cannot be changed.
- For approximately 10 seconds after releasing the switch trigger, the lamp mode can be changed.
- Use a dry cloth to wipe the dirt off the lens of lamp. Be careful not to scratch the lens of lamp, or it may lower the illumination.

## Indicating remaining battery capacity



1. Battery indicator

015174

When you pull the switch trigger, the battery indicator shows the remaining battery capacity.

The remaining battery capacity is shown as the following table.

Battery indicator status	Remaining battery capacity
■:On □:Off ■:Blinking	
	50% - 100%
	20% - 50%
	0% - 20%
	Charge the battery

015175

### NOTE:

- Approximately one minute after the motor stops, the indicators go off to save the battery power. To check the remaining battery capacity, slightly pull the switch trigger.

## Tool / battery protection system

The tool is equipped with a tool/battery protection system. This system automatically cuts off power to the motor to extend tool and battery life.

The tool will automatically stop during operation if the tool or battery are placed under one of the following conditions. In some conditions, the indicator lights up.

### Overload protection

When the tool is operated in a manner that causes it to draw an abnormally high current, the tool automatically stops without any indications. In this situation, turn the tool off and stop the application that caused the tool to become overloaded. Then turn the tool on to restart.

### Overheat protection for tool

When the tool is overheated, the tool stops automatically and the battery indicator shows following state. In this situation, let the tool cool before turning the tool on again.

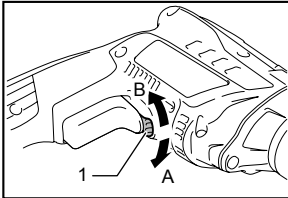
Battery indicator	: On	: Off	: Blinking
	Tool is overheated		

015176

### Reversing switch action

#### ⚠ CAUTION:

- Always check the direction of rotation before operation.
- Use the reversing switch only after the tool comes to a complete stop. Changing the direction of rotation before the tool stops may damage the tool.



1. Reversing switch lever

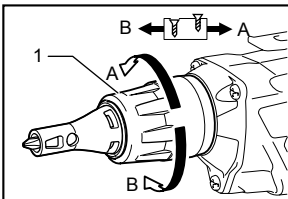
015164

This tool has a reversing switch to change the direction of rotation. Move the reversing switch lever to the ⇐ position (A side) for clockwise rotation or the ⇒ position (B side) for counterclockwise rotation. When the reversing switch lever is in the neutral position, the screw trigger cannot be pulled.

#### ⚠ CAUTION:

When not operating the tool, always set the reversing switch lever to the neutral position.

### Depth adjustment

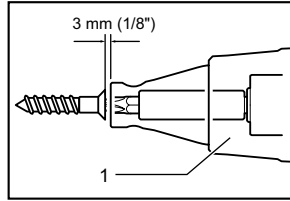


1. Locator

015165

The depth can be adjusted by turning the locator. Turn it in "B" direction for less depth and in "A" direction for

more depth. One full turn of the locator equals 2 mm (1/16") change in depth.



1. Locator

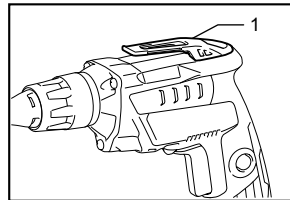
011827

Adjust the locator so that the distance between the tip of the locator and the screw head is approximately 3 mm (1/8") as shown in the figures. Drive a trial screw into your material or a piece of duplicate material. If the depth is still not suitable for the screw, continue adjusting until you obtain the proper depth setting.

### Hook

#### ⚠ CAUTION:

- Always remove the battery when hanging the tool with the hook.
- Never hook the tool at high location or on potentially unstable surface.



1. Hook

015170

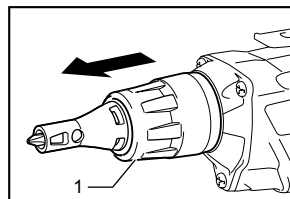
The hook is convenient for temporarily hanging the tool.

## ASSEMBLY

#### ⚠ CAUTION:

- Always be sure that the tool is switched off and the battery cartridge is removed before carrying out any work on the tool.

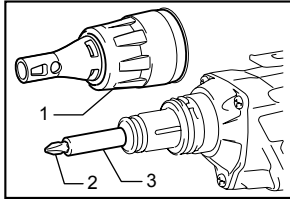
### Installing or removing the bit



1. Locator

015166

To remove the bit, pull the locator. Then grasp the bit with a pair of pliers and pull the bit out of the magnetic bit holder. Sometimes, it helps to wiggle the bit with the pliers as you pull.

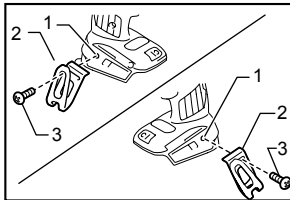


1. Locator
2. Bit
3. Magnetic bit holder

015167

To install the bit, push it firmly into the magnetic bit holder. Then install the locator by pushing it firmly back.

### Hook



1. Groove
2. Hook
3. Screw

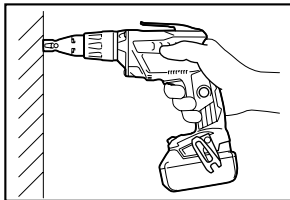
015168

The hook is convenient for temporarily hanging the tool. This can be installed on either side of the tool.

To install the hook, insert it into a groove in the tool housing on either side and then secure it with a screw. To remove, loosen the screw and then take it out.

## OPERATION

### Screwdriving operation



015169

Fit the screw on the point of the bit and place the point of the screw on the surface of the workpiece to be fastened. Apply pressure to the tool and start it. Withdraw the tool as soon as the clutch cuts in. Then release the switch trigger.

### ⚠CAUTION:

- When fitting the screw onto the point of the bit, be careful not to push in on the screw. If the screw is

pushed in, the clutch will engage and the screw will rotate suddenly. This could damage a workpiece or cause an injury.

- Make sure that the bit is inserted straight in the screw head, or the screw and/or bit may be damaged.

## MAINTENANCE

### ⚠CAUTION:

- Always be sure that the tool is switched off and the battery cartridge is removed before attempting to perform inspection or maintenance.
- Never use gasoline, benzine, thinner, alcohol or the like. Discoloration, deformation or cracks may result.

To maintain product SAFETY and RELIABILITY, repairs, carbon brush inspection and replacement, any other maintenance or adjustment should be performed by Makita Authorized or Factory Service Centers, always using Makita replacement parts.

## OPTIONAL ACCESSORIES

### ⚠CAUTION:

- These accessories or attachments are recommended for use with your Makita tool specified in this manual. The use of any other accessories or attachments might present a risk of injury to persons. Only use accessory or attachment for its stated purpose.

If you need any assistance for more details regarding these accessories, ask your local Makita Service Center.

- Phillips Insert bits
- Magnetic bit holder
- Makita genuine battery and charger
- Plastic carrying case

### NOTE:

Some items in the list may be included in the tool package as standard accessories. They may differ from country to country.

---

## **MAKITA LIMITED ONE YEAR WARRANTY**

### **Warranty Policy**

Every Makita tool is thoroughly inspected and tested before leaving the factory. It is warranted to be free of defects from workmanship and materials for the period of ONE YEAR from the date of original purchase. Should any trouble develop during this one year period, return the COMPLETE tool, freight prepaid, to one of Makita's Factory or Authorized Service Centers. If inspection shows the trouble is caused by defective workmanship or material, Makita will repair (or at our option, replace) without charge.

This Warranty does not apply where:

- repairs have been made or attempted by others:
- repairs are required because of normal wear and tear:
- the tool has been abused, misused or improperly maintained:
- alterations have been made to the tool.

IN NO EVENT SHALL MAKITA BE LIABLE FOR ANY INDIRECT, INCIDENTAL OR CONSEQUENTIAL DAMAGES FROM THE SALE OR USE OF THE PRODUCT. THIS DISCLAIMER APPLIES BOTH DURING AND AFTER THE TERM OF THIS WARRANTY.

MAKITA DISCLAIMS LIABILITY FOR ANY IMPLIED WARRANTIES, INCLUDING IMPLIED WARRANTIES OF "MERCHANTABILITY" AND "FITNESS FOR A SPECIFIC PURPOSE," AFTER THE ONE YEAR TERM OF THIS WARRANTY.

This Warranty gives you specific legal rights, and you may also have other rights which vary from state to state. Some states do not allow the exclusion or limitation of incidental or consequential damages, so the above limitation or exclusion may not apply to you. Some states do not allow limitation on how long an implied warranty lasts, so the above limitation may not apply to you.

EN0006-1

## SPÉCIFICATIONS

Modèle		XSF03	
Capacités	Vis taraudeuse	6 mm (1/4")	
	Vis de plaque de plâtre	5 mm (3/16")	
Vitesse à vide (RPM)		0 - 4 000 /min	
Longueur totale		251 mm (9-7/8")	
Poids net		1,5 kg (3,2 lbs)	1,7 kg (3,8 lbs)
Tension nominale		C.C. 18 V	
Batteries standard		BL1815 / BL1815N / BL1820	BL1830 / BL1840 / BL1850

- Étant donné l'évolution constante de notre programme de recherche et de développement, les spécifications contenues dans ce manuel sont sujettes à modification sans préavis.
- Les caractéristiques techniques et la batterie peuvent varier suivant les pays.
- Poids, batterie comprise, conforme à la procédure EPTA de 01/2003

GEA006-2

## Consignes de sécurité générales pour outils électriques

**⚠ MISE EN GARDE** Veuillez lire toutes les mises en garde de sécurité et toutes les instructions. L'ignorance des mises en garde et des instructions comporte un risque de choc électrique, d'incendie et/ou de blessure grave.

### Conservez toutes les mises en garde et instructions pour référence future.

Le terme « outil électrique » qui figure dans les avertissements fait référence à un outil électrique branché sur une prise de courant (par un cordon d'alimentation) ou alimenté par batterie (sans fil).

#### Sécurité de la zone de travail

1. **Maintenez la zone de travail propre et bien éclairée.** Les zones de travail encombrées ou sombres ouvrent grande la porte aux accidents.
2. **N'utilisez pas les outils électriques dans les atmosphères explosives, par exemple en présence de liquides, gaz ou poussières inflammables.** Les outils électriques produisent des étincelles au contact desquelles la poussière ou les vapeurs peuvent s'enflammer.
3. **Assurez-vous qu'aucun enfant ne s'approche pendant que vous utilisez un outil électrique.** Vous risquez de perdre la maîtrise de l'outil si votre attention est détournée.

#### Sécurité en matière d'électricité

4. **Les fiches d'outil électrique sont conçues pour s'adapter parfaitement aux prises de courant. Ne modifiez jamais la fiche de quelque façon que ce soit. N'utilisez aucun**

**adaptateur de fiche sur les outils électriques avec mise à la terre.** En ne modifiant pas les fiches et en les insérant dans des prises de courant pour lesquelles elles ont été conçues vous réduirez les risques de choc électrique.

5. **Évitez tout contact corporel avec les surfaces mises à la terre, telles que les tuyaux, radiateurs, cuisinières et réfrigérateurs.** Le risque de choc électrique est plus élevé si votre corps se trouve mis à la terre.
6. **N'exposez pas les outils électriques à la pluie ou à l'eau.** La présence d'eau dans un outil électrique augmente le risque de choc électrique.
7. **Ne maltraitez pas le cordon. N'utilisez jamais le cordon pour transporter, tirer ou débrancher l'outil électrique. Maintenez le cordon à l'écart des sources de chaleur, de l'huile, des objets à bords tranchants et des pièces en mouvement.** Le risque de choc électrique est plus élevé lorsque les cordons sont endommagés ou enchevêtrés.
8. **Lorsque vous utilisez un outil électrique à l'extérieur, utilisez un cordon prolongateur prévu à cette fin.** Les risques de choc électrique sont moindres lorsqu'un cordon conçu pour l'extérieur est utilisé.
9. **Si vous devez utiliser un outil électrique dans un endroit humide, utilisez une source d'alimentation protégée par un disjoncteur de fuite à la terre.** L'utilisation d'un disjoncteur de fuite à la terre réduit le risque de choc électrique.

#### Sécurité personnelle

10. **Restez alerte, attentif à vos mouvements et faites preuve de bon sens lorsque vous utilisez un outil électrique. Évitez d'utiliser un outil électrique si vous êtes fatigué ou si vous avez pris une drogue, de l'alcool ou un médicament.**

Un moment d'inattention pendant l'utilisation d'un outil électrique peut entraîner une grave blessure.

11. **Portez des dispositifs de protection personnelle. Portez toujours un protecteur pour la vue.** Les risques de blessure seront moins élevés si vous utilisez des dispositifs de protection tels qu'un masque antipoussières, des chaussures à semelle antidérapante, une coiffure résistante ou une protection d'oreilles.
12. **Évitez les démarrages accidentels. Assurez-vous que l'interrupteur soit en position d'arrêt avant de brancher l'outil à la prise électrique et/ou au bloc-piles, avant de prendre ou de transporter l'outil.** Vous ouvrez la porte aux accidents si vous transportez les outils électriques avec le doigt sur l'interrupteur ou si vous les branchez alors que l'interrupteur est en position de marche.
13. **Retirez toute clé de réglage ou de serrage avant de mettre l'outil sous tension.** Toute clé laissée en place sur une pièce rotative de l'outil électrique peut entraîner une blessure.
14. **Maintenez une bonne position. Assurez-vous d'une bonne prise au sol et d'une bonne position d'équilibre en tout temps.** Cela vous permettra d'avoir une meilleure maîtrise de l'outil dans les situations imprévues.
15. **Portez des vêtements adéquats. Ne portez ni vêtements amples ni bijoux. Vous devez maintenir cheveux, vêtements et gants à l'écart des pièces en mouvement.** Les pièces en mouvement peuvent happer les vêtements amples, les bijoux et les cheveux longs.
16. **Si des accessoires sont fournis pour raccorder un appareil d'aspiration et de collecte de la poussière, assurez-vous qu'ils sont correctement raccordés et qu'ils sont utilisés de manière adéquate.** L'utilisation d'un appareil d'aspiration permet de réduire les risques liés à la présence de poussière dans l'air.

#### Utilisation et entretien des outils électriques

17. **Ne forcez pas l'outil électrique. Utilisez l'outil électrique adéquat suivant le type de travail à effectuer.** Si vous utilisez l'outil électrique adéquat et respectez le régime pour lequel il a été conçu, il effectuera un travail de meilleure qualité et de façon plus sécuritaire.
18. **N'utilisez pas l'outil électrique s'il n'est pas possible de mettre sa gâchette en position de marche et d'arrêt.** Un outil électrique dont l'interrupteur est défectueux représente un danger et doit être réparé.
19. **Débranchez la fiche de la source d'alimentation et/ou retirez le bloc-piles de l'outil électrique avant d'effectuer tout réglage,**

**de changer un accessoire ou de ranger l'outil électrique.** De telles mesures préventives réduisent les risques de démarrage accidentel de l'outil électrique.

20. **Après l'utilisation d'un outil électrique, rangez-le hors de portée des enfants et ne laissez aucune personne l'utiliser si elle n'est pas familiarisée avec l'outil électrique ou les présentes instructions d'utilisation.** Les outils électriques représentent un danger entre les mains de personnes qui n'en connaissent pas le mode d'utilisation.
21. **Veillez à l'entretien des outils électriques. Assurez-vous que les pièces mobiles ne sont pas désalignées ou coincées, qu'aucune pièce n'est cassée et que l'outil électrique n'a subi aucun dommage affectant son bon fonctionnement. Le cas échéant, faites réparer l'outil électrique avant de l'utiliser.** De nombreux accidents sont causés par des outils électriques mal entretenus.
22. **Maintenez les outils tranchants bien aiguisés et propres.** Un outil tranchant dont l'entretien est effectué correctement et dont les bords sont bien aiguisés risquera moins de se coincer et sera plus facile à maîtriser.
23. **Utilisez l'outil électrique, ses accessoires, ses embouts, etc., en respectant les présentes instructions, en tenant compte des conditions de travail et du type de travail à effectuer.** L'utilisation d'un outil électrique à des fins autres que celles prévues peut entraîner une situation dangereuse.

#### Utilisation et entretien des outils alimentés par batterie

24. **Pour recharger, utilisez uniquement le chargeur spécifié par le fabricant.** L'utilisation d'un chargeur conçu pour un type donné de bloc-piles comporte un risque d'incendie lorsqu'il est utilisé avec un autre type de bloc-piles.
25. **N'utilisez un outil électrique qu'avec le bloc-piles conçu spécifiquement pour cet outil.** Il y a un risque de blessure ou d'incendie si un autre bloc-piles est utilisé.
26. **Lorsque vous n'utilisez pas le bloc-piles, rangez-le à l'écart des objets métalliques tels que trombones, pièces de monnaie, clés, clous, vis ou autres petits objets métalliques qui risquent d'établir une connexion entre les bornes.** La mise en court-circuit des bornes de batterie peut causer des brûlures ou un incendie.
27. **Dans des conditions d'utilisation inadéquates de la batterie, il peut y avoir fuite d'électrolyte; évitez tout contact avec ce liquide. En cas de contact accidentel, rincez avec beaucoup**

d'eau. Si le liquide pénètre dans vos yeux, il faut aussi consulter un médecin. L'électrolyte qui s'échappe de la batterie peut causer des irritations ou des brûlures.

#### Réparation

28. **Faites réparer votre outil électrique par un réparateur qualifié qui utilise des pièces de rechange identiques aux pièces d'origine.** Le maintien de la sûreté de l'outil électrique sera ainsi assuré.
29. **Suivez les instructions de lubrification et de changement des accessoires.**
30. **Maintenez les poignées de l'outil sèches, propres et exemptes d'huile ou de graisse.**

GEB050-2

## CONSIGNES DE SÉCURITÉ POUR LE TOURNEVIS SANS FIL

1. **Tenez l'outil par ses surfaces de prise isolées pendant toute opération où l'accessoire de fixation pourrait venir en contact avec un câblage dissimulé.** En cas de contact avec un conducteur sous tension, les pièces métalliques à découvert de l'outil pourraient devenir sous tension et risqueraient de transmettre une décharge électrique à l'utilisateur.
2. **Adoptez toujours une position de travail vous assurant d'un bon équilibre.** Assurez-vous qu'il n'y a personne plus bas lorsque vous utilisez l'outil en position élevée.
3. **Tenez l'outil fermement.**
4. **Gardez les mains éloignées des pièces en rotation.**
5. **Ne touchez ni la fraise, ni la pièce à travailler immédiatement après l'utilisation ; elles peuvent être extrêmement chaudes et vous pourriez vous brûler la peau.**

## CONSERVEZ CE MODE D'EMPLOI.

### ⚠️ AVERTISSEMENT:

**NE VOUS LAISSEZ PAS tromper** (au fil d'une utilisation répétée) par un sentiment d'aisance ou de familiarité avec le produit en négligeant les consignes de sécurité qui accompagnent le produit. L'utilisation non sécuritaire ou incorrecte de cet outil comporte un risque de blessure grave.

## Symboles

Les symboles utilisés pour l'outil sont indiqués ci-dessous.

- |                |                                   |
|----------------|-----------------------------------|
| v              | · volts                           |
| — — —          | · courant continu                 |
| n <sub>o</sub> | · vitesse à vide                  |
| ... /min       | · tours ou alternances par minute |
| r /min         |                                   |

ENC007-8

## CONSIGNES DE SÉCURITÉ IMPORTANTES

### POUR LA BATTERIE

1. **Avant d'utiliser la batterie, lisez toutes les instructions et précautions relatives (1) au chargeur de batterie, (2) à la batterie, et (3) à l'outil utilisant la batterie.**
2. **Ne démontez pas la batterie.**
3. **Cessez immédiatement l'utilisation si le temps de fonctionnement devient excessivement court. Il y a risque de surchauffe, de brûlures, voire d'explosion.**
4. **Si l'électrolyte pénètre dans vos yeux, rincez-les à l'eau claire et consultez immédiatement un médecin. Il y a risque de perte de la vue.**
5. **Ne court-circuitez pas la batterie :**
  - (1) **Ne touchez les bornes avec aucun matériau conducteur.**
  - (2) **Évitez de ranger la batterie dans un conteneur avec d'autres objets métalliques, par exemple des clous, des pièces de monnaie, etc.**
  - (3) **Évitez d'exposer la batterie à l'eau ou à la pluie.**

Un court-circuit de la batterie pourrait provoquer un fort courant, une surchauffe, parfois des brûlures et même une panne.
6. **Ne rangez pas l'outil ou la batterie dans des endroits où la température risque d'atteindre ou de dépasser 50 ° C (122 ° F).**
7. **Ne jetez pas la batterie au feu même si elle est sérieusement endommagée ou complètement épuisée. La batterie peut exploser au contact du feu.**
8. **Prenez garde d'échapper ou de heurter la batterie.**
9. **N'utilisez pas une batterie si elle est endommagée.**



10. Suivez la réglementation locale concernant la mise au rebut de la batterie.

## CONSERVEZ CE MODE D'EMPLOI.

### Conseils pour obtenir la durée de service maximale de la batterie

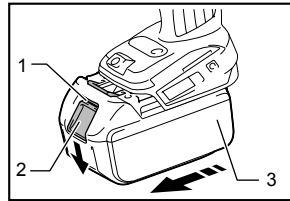
1. Rechargez la batterie avant qu'elle ne soit complètement déchargée.  
Arrêtez toujours l'outil et rechargez la batterie quand vous remarquez que la puissance de l'outil diminue.
2. Ne rechargez jamais une batterie complètement chargée.  
La surcharge réduit la durée de service de la batterie.
3. Rechargez la batterie à une température ambiante comprise entre 10 ° C et 40 ° C (50 ° F - 104 ° F). Si la batterie est chaude, laissez-la refroidir avant de la recharger.
4. Rechargez la batterie tous les six mois si l'appareil n'est pas utilisé pendant de longues périodes.

## DESCRIPTION DU FONCTIONNEMENT

### ⚠ATTENTION:

- Assurez-vous toujours que l'outil est hors tension et que sa batterie est retirée avant de l'ajuster ou de vérifier son fonctionnement.

### Installation ou retrait de la batterie



1. Indicateur rouge
2. Bouton
3. Batterie

### ⚠ATTENTION:

- Mettez toujours l'appareil hors tension avant d'installer ou de retirer la batterie.
- **Tenez fermement l'outil et la batterie lors de l'installation ou du retrait de cette dernière.** Sinon, l'outil et la batterie pourraient vous glisser des mains, ce qui risque d'endommager l'outil et la batterie, ou encore de provoquer des blessures.

Pour retirer la batterie, faites-la glisser de l'outil tout en faisant glisser le bouton se trouvant à l'avant.

Pour installer la batterie, alignez sa languette sur la rainure pratiquée dans le boîtier, et glissez la batterie en place. Insérez-la à fond jusqu'à ce que vous entendiez un clic. Si vous pouvez voir l'indicateur rouge sur le dessus du bouton, la batterie n'est pas complètement verrouillée.

### ⚠ATTENTION:

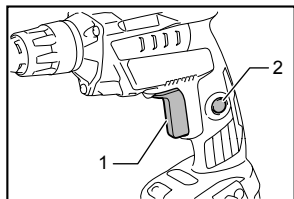
- Installez toujours la batterie à fond jusqu'à ce que vous ne puissiez plus voir l'indicateur rouge. Dans le cas contraire, elle pourrait tomber de l'outil et entraîner des blessures.
- Ne forcez pas sur la batterie pour l'installer. Si la batterie ne glisse pas facilement, c'est qu'elle n'est pas insérée correctement.

### Interrupteur

### ⚠ATTENTION:

- Avant d'insérer la batterie dans l'outil, vérifiez toujours que la gâchette fonctionne bien et revient en position d'arrêt lorsque relâchée.
- Pour rendre le travail de l'utilisateur plus confortable lors d'une utilisation prolongée, l'interrupteur peut être verrouillé en position de

marche. Soyez prudent lorsque vous verrouillez l'outil en position de marche, et maintenez une poigne solide sur l'outil.



1. Gâchette
2. Bouton de verrouillage

015162

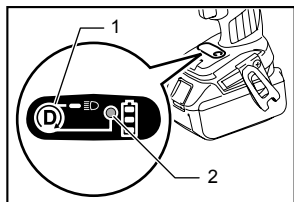
Pour démarrer l'outil, il suffit d'appuyer sur la gâchette. La vitesse de l'outil augmente à mesure que vous augmentez la pression sur la gâchette. Pour arrêter l'outil, relâchez la gâchette.

Pour un fonctionnement continu, appuyez sur la gâchette, puis enfoncez le bouton de sécurité et relâchez la gâchette. Pour arrêter l'outil alors qu'il est verrouillé en fonctionnement continu, enfoncez complètement la gâchette puis relâchez-la.

#### NOTE:

- Même avec la gâchette enfoncée et le moteur en marche, l'embout ne tourne pas. Poussez l'outil vers l'avant pour engager l'embrayage.
- L'outil s'arrête automatiquement si le moteur continue de tourner pendant environ 6 minutes.

#### Mode d'entraînement de pression



1. Bouton
2. Indicateur de mode

015173

Cet outil dispose d'un mode d'entraînement de pression. Dans ce mode, l'outil coupe l'alimentation du moteur pour économiser la batterie au ralenti.

Pour sélectionner le mode d'entraînement de pression, enfoncez légèrement la gâchette, puis relâchez-la et appuyez rapidement sur le bouton. L'indicateur de mode s'allume.

Une fois l'entraînement de pression activé, enfoncez la gâchette et appuyez sur le bouton de sécurité. Appliquez une pression sur l'embout et le moteur commence à tourner. Une pression supplémentaire engage l'embrayage et l'embout commence à tourner. En mode d'entraînement de pression, le moteur et l'embout du tournevis ne tournent que si une pression est appliquée.

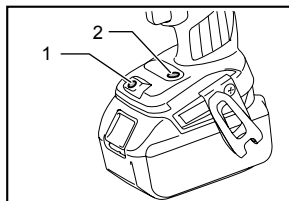
#### NOTE:

- Si l'outil n'est pas utilisé pendant environ 8 heures en mode d'entraînement de pression avec la gâchette verrouillée, l'outil est arrêté. Dans ce cas, relâchez la gâchette et enfoncez-la de nouveau pour redémarrer.

#### Frein électrique

Cet outil est équipé d'un frein électrique. Si à plusieurs reprises l'outil ne s'arrête pas rapidement après le relâchement de la gâchette, faites-le réparer dans un centre de service après-vente Makita.

#### Allumage de la lampe



1. Lampe
2. Bouton

015163

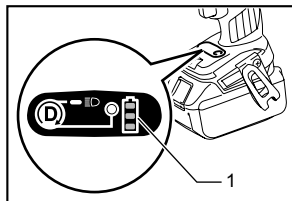
Pour allumer la lampe, enfoncez légèrement la gâchette, relâchez-la et appuyez sur le bouton pendant quelques secondes. La lampe s'allume. La lampe s'éteint environ 10 secondes après avoir relâché la gâchette. Pour rallumer la lampe, enfoncez légèrement la gâchette. Pour que la lampe reste éteinte, enfoncez légèrement la gâchette et relâchez-la. Puis appuyez sur le bouton pendant quelques secondes.

En mode d'entraînement de pression avec la gâchette verrouillée, la lampe s'éteint environ une minute après l'arrêt du moteur.

#### NOTE:

- Le mode de la lampe ne peut pas être modifié lorsque la gâchette est actionnée.
- Le mode de la lampe peut être modifié environ 10 secondes après avoir relâché la gâchette.
- Utilisez un chiffon sec pour essuyer la saleté qui recouvre la lentille de la lampe. Prenez garde de rayer la lentille de la lampe, pour éviter une diminution de l'éclairage.

## Indication de la capacité restante de la batterie



1. Indicateur de batterie

015174

Lorsque la gâchette est actionnée, l'indicateur de batterie affiche la capacité restante de la batterie. Le tableau suivant indique la capacité restante de la batterie.

État de l'indicateur de batterie ■ : MARCHE □ : ARRÊT ■ : Clignotement	Puissance restante de la batterie
	50 % à 100 %
	20 % à 50 %
	0 % à 20 %
	Chargez la batterie

015175

### NOTE:

- Environ une minute après l'arrêt du moteur, les indicateurs s'éteignent pour économiser la batterie. Pour vérifier la capacité restante de la batterie, appuyez légèrement sur la gâchette.

## Système de protection de l'outil/de la batterie

L'outil est équipé d'un système de protection de l'outil/de la batterie. Ce système coupe automatiquement l'alimentation du moteur pour augmenter la durée de vie de l'outil et de la batterie.

L'outil s'arrête automatiquement pendant l'utilisation lorsque l'outil ou la batterie est dans l'une des situations suivantes. Dans certaines conditions, l'indicateur s'allume.

### Dispositif de protection contre la surcharge

Lorsque l'outil reçoit une tension trop élevée au cours de son utilisation, il s'arrête sans aucune indication.

Dans cette situation, éteignez l'outil et arrêtez l'application qui a causé la surcharge de l'outil. L'outil peut ensuite être rallumé.

### Protection de surchauffe de l'outil

Lorsque l'outil surchauffe, il s'arrête automatiquement et l'indicateur de batterie présente l'état suivant. Dans cette situation, laissez refroidir l'outil avant de l'allumer de nouveau.

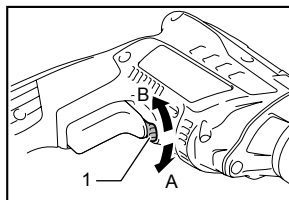
Indicateur de batterie	■ : MARCHE □ : ARRÊT	■ : Clignotement
	L'outil présente une surchauffe	

015176

## Inverseur

### ⚠ ATTENTION:

- Vérifiez toujours le sens de rotation avant de mettre l'outil en marche.
- N'actionnez l'inverseur qu'une fois que l'outil est complètement arrêté. Si vous changez le sens de rotation avant l'arrêt de l'outil, vous risquez de l'endommager.



1. Levier inverseur

015164

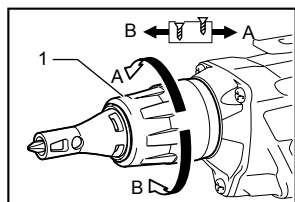
L'outil possède un inverseur qui permet de changer le sens de rotation. Déplacez le levier inverseur sur la position ⇄ (côté A) pour une rotation dans le sens des aiguilles d'une montre, ou sur la position ⇄ (côté B) pour une rotation dans le sens inverse des aiguilles d'une montre.

La pression sur la gâchette n'est pas possible lorsque le levier inverseur se trouve en position neutre.

### ⚠ ATTENTION:

Lorsque vous n'utilisez pas l'outil, placez toujours le levier inverseur en position neutre.

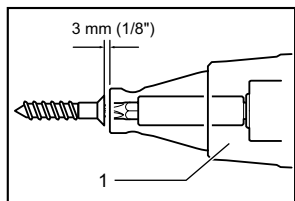
## Réglage de la profondeur



1. Positionneur

015165

Vous pouvez régler la profondeur en tournant le positionneur. Tournez-la dans le sens « B » pour réduire la profondeur, ou dans le sens « A » pour l'augmenter. Une rotation complète du positionneur correspond à une modification de 2 mm (1/16") de la profondeur.



1. Positionneur

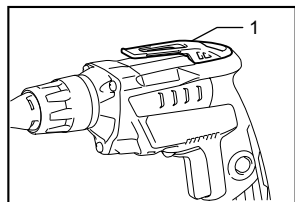
011827

Réglez le positionneur de sorte que la distance entre le bout du positionneur et la tête de la vis soit d'environ 3 mm (1/8"), tel qu'illustré. Serrez une vis d'essai dans votre matériau ou dans une pièce du même matériau. Si la profondeur n'est pas adéquate pour la vis, poursuivez le réglage jusqu'à ce que vous obteniez la profondeur adéquate.

## Crochet

### ⚠ ATTENTION:

- Retirez toujours la batterie lorsque l'outil est suspendu par son crochet.
- Ne suspendez jamais l'outil dans un endroit très élevé ou sur une surface qui risque d'être instable.



1. Crochet

015170

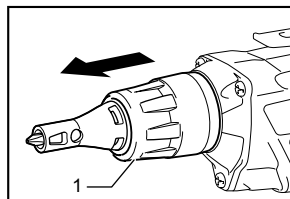
Le crochet est pratique pour accrocher temporairement l'outil.

## ASSEMBLAGE

### ⚠ ATTENTION:

- Assurez-vous toujours que l'outil est hors tension et que sa batterie est retirée avant d'effectuer tout travail dessus.

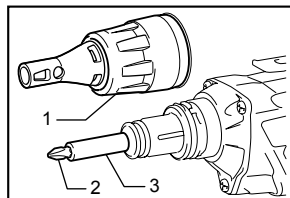
### Installation et retrait de l'embout



1. Positionneur

015166

Pour retirer l'embout, tirez sur le positionneur. Saisissez ensuite l'embout avec une pince et retirez-la du porte-embout magnétique. Il est parfois plus facile de retirer l'embout si on le remue tout en tirant.

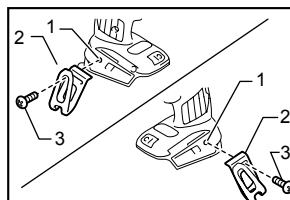


1. Positionneur  
2. Embout  
3. Porte-embout magnétique

015167

Pour installer l'embout, poussez-le fermement dans le porte-embout magnétique. Installez ensuite le positionneur en le poussant fermement pour le remettre en place.

## Crochet



1. Rainure  
2. Crochet  
3. Vis

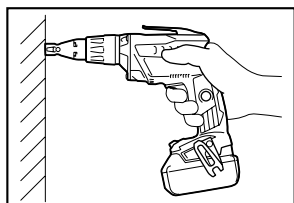
015168

L'outil est équipé d'un crochet pratique qui permet de le suspendre temporairement. Il s'installe d'un côté comme de l'autre de l'outil.

Pour installer le crochet, insérez-le dans les rainures situées de chaque côté du carter de l'outil, puis serrez-le avec une vis. Pour le retirer, desserrez la vis et enlevez-la.

## UTILISATION

### Vissage



015169

Mettez la vis en place sur l'extrémité de l'embout et placez cette dernière sur la surface de la pièce à visser. Appliquez une pression sur l'outil et mettez le contact. Retirez l'outil aussitôt que l'embrayage s'active, puis relâchez la gâchette.

#### **⚠ATTENTION:**

- Lorsque vous mettez la vis en place sur l'extrémité de l'embout, prenez garde de pousser ce dernier dans la vis. Si l'embout est poussé dans la vis, l'embrayage s'engagera et la vis se mettra soudainement à tourner. Vous risquez alors d'endommager la pièce ou de vous blesser.
- Assurez-vous que l'embout est inséré bien droit dans la tête de vis, sinon la vis et/ou l'embout risque d'être endommagé.

## ENTRETIEN

#### **⚠ATTENTION:**

- Assurez-vous toujours que l'outil est hors tension et que la batterie est retirée avant d'y effectuer tout travail d'inspection ou d'entretien.
- N'utilisez jamais d'essence, de benzine, de solvant, d'alcool ou d'autres produits similaires. Une décoloration, une déformation, ou la formation de fissures peuvent en découler.

Pour maintenir la SÉCURITÉ et la FIABILITÉ du produit, les réparations, l'inspection et le remplacement des charbons, et tout autre travail d'entretien ou de réglage doivent être effectués dans une usine ou un centre de service après-vente Makita agréé, exclusivement avec des pièces de rechange Makita.

## ACCESSOIRES EN OPTION

#### **⚠ATTENTION:**

- Ces accessoires ou pièces complémentaires sont recommandés pour l'utilisation avec l'outil Makita spécifié dans ce mode d'emploi. L'utilisation de tout autre accessoire ou pièce complémentaire

peut comporter un risque de blessure. N'utilisez les accessoires ou pièces qu'aux fins auxquelles ils ont été conçus.

Si vous désirez obtenir plus de détails concernant ces accessoires, veuillez contacter le centre de service après-vente Makita le plus près.

- Embouts cruciformes
- Porte-embout magnétique
- Chargeur et batterie authentiques Makita
- Mallette de transport en plastique

#### **NOTE:**

Certains éléments de la liste peuvent être inclus avec l'outil comme accessoires standard. Ils peuvent varier suivant les pays.

---

## **GARANTIE LIMITÉE D'UN AN MAKITA**

### **Politique de garantie**

Chaque outil Makita est inspecté rigoureusement et testé avant sa sortie d'usine. Nous garantissons qu'il sera exempt de défaut de fabrication et de vice de matériau pour une période d'UN AN à partir de la date de son achat initial. Si un problème quelconque devait survenir au cours de cette période d'un an, veuillez retourner l'outil COMPLET, port payé, à une usine ou à un centre de service après-vente Makita. Makita réparera l'outil gratuitement (ou le remplacera, à sa discrétion) si un défaut de fabrication ou un vice de matériau est découvert lors de l'inspection.

Cette garantie ne s'applique pas dans les cas où:

- des réparations ont été effectuées ou tentées par un tiers:
- des réparations s'imposent suite à une usure normale:
- l'outil a été malmené, mal utilisé ou mal entretenu:
- l'outil a subi des modifications.

MAKITA DÉCLINE TOUTE RESPONSABILITÉ POUR TOUT DOMMAGE ACCESSOIRE OU INDIRECT LIÉ À LA VENTE OU À L'UTILISATION DU PRODUIT. CET AVIS DE NON-RESPONSABILITÉ S'APPLIQUE À LA FOIS PENDANT ET APRÈS LA PÉRIODE COUVERTE PAR CETTE GARANTIE.

MAKITA DÉCLINE TOUTE RESPONSABILITÉ QUANT À TOUTE GARANTIE TACITE, INCLUANT LES GARANTIES TACITES DE "QUALITÉ MARCHANDE" ET "ADÉQUATION À UN USAGE PARTICULIER" APRÈS LA PÉRIODE D'UN AN COUVERTE PAR CETTE GARANTIE.

Cette garantie vous donne des droits spécifiques reconnus par la loi, et possiblement d'autres droits, qui varient d'un État à l'autre. Certains États ne permettant pas l'exclusion ou la limitation des dommages accessoires ou indirects, il se peut que la limitation ou exclusion ci-dessus ne s'applique pas à vous. Certains États ne permettant pas la limitation de la durée d'application d'une garantie tacite, il se peut que la limitation ci-dessus ne s'applique pas à vous.

EN0006-1

## ESPECIFICACIONES

Modelo		XSF03	
Capacidades	Tornillo de autoperforación	6 mm (1/4")	
	Tornillo para pared "sheetrock"	5 mm (3/16")	
Velocidad sin carga (RPM)		0 - 4 000 r/min	
Longitud total		251 mm (9-7/8")	
Peso neto		1,5 kg (3,2 lbs)	1,7 kg (3,8 lbs)
Tensión nominal		18 V c.c.	
Cartuchos de batería estándar		BL1815 / BL1815N / BL1820	BL1830 / BL1840 / BL1850

- Debido a nuestro programa continuo de investigación y desarrollo, las especificaciones aquí dadas están sujetas a cambios sin previo aviso.
- Las especificaciones y el cartucho de la batería pueden variar de país a país.
- Peso de acuerdo al procedimiento de EPTA-01/2003 incluyendo el cartucho de la batería

GEA006-2

## Advertencias de seguridad generales para herramientas eléctricas

**⚠ ADVERTENCIA:** lea todas las advertencias de seguridad e instrucciones. Si no sigue todas las advertencias e instrucciones indicadas a continuación, podrá ocasionar una descarga eléctrica, un incendio y/o lesiones graves.

## Guarde todas las advertencias e instrucciones para su futura referencia.

El término "herramienta eléctrica" se refiere, en todas las advertencias que aparecen a continuación, a su herramienta eléctrica de funcionamiento con conexión a la red eléctrica (con cableado eléctrico) o herramienta eléctrica de funcionamiento a batería (inalámbrica).

### Seguridad en el área de trabajo

1. **Mantenga el área de trabajo limpia y bien iluminada.** Las áreas oscuras o desordenadas son propensas a accidentes.
2. **No utilice las herramientas eléctricas en atmósferas explosivas, tal como en la presencia de líquidos, gases o polvo inflamables.** Las herramientas eléctricas crean chispas que pueden prender fuego al polvo o los humos.
3. **Mantenga a los niños y curiosos alejados mientras utiliza una herramienta eléctrica.** Las distracciones le pueden hacer perder el control.

### Seguridad eléctrica

4. **Las clavijas de conexión de las herramientas eléctricas deberán encajar perfectamente en la toma de corriente. No modifique nunca la**

**clavija de conexión de ninguna forma. No utilice ninguna clavija adaptadora con herramientas eléctricas que tengan conexión a tierra (puesta a tierra).** La utilización de clavijas no modificadas y que encajen perfectamente en la toma de corriente reducirá el riesgo de que se produzca una descarga eléctrica.

5. **Evite tocar con el cuerpo superficies conectadas a tierra o puestas a tierra tales como tubos, radiadores, cocinas y refrigeradores.** Si su cuerpo es puesto a tierra o conectado a tierra existirá un mayor riesgo de que sufra una descarga eléctrica.
6. **No exponga las herramientas eléctricas a la lluvia ni a condiciones húmedas.** La entrada de agua en una herramienta eléctrica aumentará el riesgo de que se produzca una descarga eléctrica.
7. **No jale el cable. Nunca utilice el cable para transportar, jalar o desconectar la herramienta eléctrica. Mantenga el cable alejado del calor, aceite, objetos cortantes o piezas móviles.** Los cables dañados o atrapados aumentan el riesgo de sufrir una descarga eléctrica.
8. **Cuando utilice una herramienta eléctrica en exteriores, utilice un cable de extensión apropiado para uso en exteriores.** La utilización de un cable apropiado para uso en exteriores reducirá el riesgo de que se produzca una descarga eléctrica.
9. **Si no es posible evitar usar una herramienta eléctrica en condiciones húmedas, utilice un alimentador protegido con interruptor de circuito de falla en tierra (ICFT).** El uso de un ICFT reduce el riesgo de descarga eléctrica.

## Seguridad personal

10. **Manténgase alerta, preste atención a lo que está haciendo y utilice su sentido común cuando opere una herramienta eléctrica. No utilice la herramienta eléctrica cuando esté cansado o bajo la influencia de drogas, alcohol o medicamentos.** Un momento de distracción mientras opera la máquina puede dar como resultado heridas personales graves.
  11. **Use equipo de protección personal. Póngase siempre protección para los ojos.** El equipo protector tal como máscara contra el polvo, zapatos de seguridad antiderrapantes, casco rígido y protección para oídos utilizado en las condiciones apropiadas reducirá las heridas personales.
  12. **Impida el encendido accidental. Asegúrese de que el interruptor esté en la posición de apagado antes de conectar a la alimentación eléctrica y/o de colocar el cartucho de la batería, así como al levantar o cargar la herramienta.** Cargar las herramientas eléctricas con su dedo en el interruptor o enchufarlas con el interruptor encendido hace que los accidentes sean propensos.
  13. **Retire cualquier llave de ajuste o llave de apriete antes de encender la herramienta.** Una llave de ajuste o llave de apriete que haya sido dejada puesta en una parte giratoria de la herramienta eléctrica podrá resultar en heridas personales.
  14. **No utilice la herramienta donde no alcance. Mantenga los pies sobre suelo firme y el equilibrio en todo momento.** Esto permite un mejor control de la herramienta eléctrica en situaciones inesperadas.
  15. **Use vestimenta apropiada. No use ropas sueltas ni joyas. Mantenga el cabello, la ropa y los guantes alejados de las piezas móviles.** Las prendas de vestir holgadas, las joyas y el cabello suelto podrían engancharse en estas piezas móviles.
  16. **Si dispone de dispositivos para la conexión de equipos de extracción y recolección de polvo, asegúrese de conectarlos y utilizarlos debidamente.** La utilización de estos dispositivos reduce los riesgos relacionados con el polvo.
- ## Mantenimiento y uso de la herramienta eléctrica
17. **No fuerce la herramienta eléctrica. Utilice la herramienta eléctrica correcta para su aplicación.** La herramienta eléctrica adecuada hará un trabajo mejor a la velocidad para la que ha sido fabricada.
  18. **No utilice la herramienta eléctrica si el interruptor no la enciende y apaga.** Cualquier herramienta eléctrica que no pueda ser controlada con el interruptor es peligrosa y debe ser reemplazada.
  19. **Desconecte la clavija de la fuente de energía y/o la batería de la herramienta eléctrica antes de realizar ajustes, cambiar accesorios o guardar las herramientas eléctricas.** Dichas medidas de seguridad preventivas reducen el riesgo de que la herramienta se inicie accidentalmente.
  20. **Guarde la herramienta eléctrica que no use fuera del alcance de los niños y no permita que las personas que no están familiarizadas con ella o con las instrucciones la operen.** Las herramientas eléctricas son peligrosas en manos de personas que no saben operarlas.
  21. **Realice el mantenimiento a las herramientas eléctricas. Compruebe que no haya partes móviles desalineadas o estancadas, piezas rotas y cualquier otra condición que pueda afectar al funcionamiento de la herramienta eléctrica. Si la herramienta eléctrica está dañada, haga que se la reparen antes de utilizarla.** Muchos accidentes son ocasionados por herramientas eléctricas con un mal mantenimiento.
  22. **Mantenga las herramientas de corte limpias y filosas.** Si recibe un mantenimiento adecuado y tiene los bordes afilados, es probable que la herramienta se atasque menos y sea más fácil controlarla.
  23. **Utilice la herramienta eléctrica, así como accesorios, piezas, brocas, etc. de acuerdo con estas instrucciones y de la manera establecida para cada tipo de unidad en particular; tenga en cuenta las condiciones laborales y el trabajo a realizar.** Si utiliza la herramienta eléctrica para realizar operaciones distintas de las indicadas, podrá presentarse una situación peligrosa.
- ## Uso y cuidado de la herramienta a batería
24. **Realice la recarga sólo con el cargador especificado por el fabricante.** Un cargador que es adecuado para un solo tipo de batería puede generar riesgo de incendio al ser utilizado con otra batería.
  25. **Utilice las herramientas eléctricas solamente con las baterías designadas específicamente para ellas.** La utilización de cualquier otra batería puede crear un riesgo de heridas o incendio.
  26. **Cuando no se esté usando el cartucho de la batería, manténgalo alejado de otros objetos metálicos, como sujetapapeles (clips), monedas, llaves, clavos, tornillos u otros objetos pequeños de metal los cuales pueden**



actuar creando una conexión entre las terminales de la batería. Cerrar el circuito de las terminales de la batería puede causar quemaduras o incendios.

27. **En condiciones de mal uso, podrá escapar líquido de la batería; evite tocarlo. Si lo toca accidentalmente, enjuague con agua. Si hay contacto del líquido con los ojos, acuda por ayuda médica.** Puede que el líquido expulsado de la batería cause irritación o quemaduras.

#### Servicio de mantenimiento

28. **Haga que una persona calificada repare la herramienta utilizando sólo piezas de repuesto idénticas.** Esto asegura que se mantenga la seguridad de la herramienta eléctrica.
29. **Siga las instrucciones para la lubricación y cambio de accesorios.**
30. **Mantenga las agarraderas secas, limpias y sin aceite o grasa.**

GEB050-2

## ADVERTENCIAS DE SEGURIDAD DEL ATORNILLADOR INALÁMBRICO

1. **Sujete la herramienta eléctrica por las superficies de agarre aisladas al realizar una operación en la que el porta útil pueda entrar en contacto con cables ocultos.** Si el porta útil entra en contacto con un cable con corriente, las piezas metálicas expuestas de la herramienta eléctrica se cargarán también de corriente y el operario puede recibir una descarga.
2. **Asegúrese siempre de que pisa sobre suelo firme.**  
**Asegúrese de que no haya nadie debajo cuando utilice la herramienta en lugares altos.**
3. **Sostenga la herramienta con firmeza.**
4. **Mantenga las manos alejadas de las piezas giratorias.**
5. **No toque la broca o la pieza de trabajo inmediatamente después de utilizarla; podrían estar muy calientes y producirle quemaduras de piel.**

## GUARDE ESTAS INSTRUCCIONES.

### ⚠ADVERTENCIA:

**NO DEJE** que la comodidad o familiaridad con el producto (a base de utilizarlo repetidamente) sustituya la estricta observancia de las normas de seguridad para dicho producto. El MAL USO o el no

seguir las normas de seguridad establecidas en este manual de instrucciones puede ocasionar graves lesiones personales.

USD301-5

## Símbolos

A continuación se muestran los símbolos utilizados para la herramienta.

- |                  |   |   |
|------------------|---|---|
| v                | · | volts o voltios   |
| —                | · | corriente directa o continua                                    |
| n <sub>0</sub>   | · | velocidad en vacío o sin carga                                  |
| .../min<br>r/min | · | revoluciones o alternaciones por minuto, frecuencia de rotación |

ENC007-8

## INSTRUCCIONES IMPORTANTES DE SEGURIDAD

### PARA CARTUCHO DE BATERÍA

1. **Antes de utilizar el cartucho de batería, lea todas las instrucciones e indicaciones de precaución sobre (1) el cargador de baterías, (2) la batería, y (3) el producto con el que se utiliza la batería.**
2. **No desarme el cartucho de batería.**
3. **Si el tiempo de operación se ha acortado en exceso, deje de operar de inmediato. Podría correrse el riesgo de sobrecalentamiento, posibles quemaduras e incluso explosión.**
4. **En caso de que ingresen electrolitos en sus ojos, enjuáguelos bien con agua limpia y consulte de inmediato a un médico. Podría perder la visión.**
5. **No cortocircuite el cartucho de batería:**
  - (1) **No toque las terminales con ningún material conductor.**
  - (2) **Evite guardar el cartucho de batería en un cajón junto con otros objetos metálicos, tales como clavos, monedas, etc.**
  - (3) **No exponga la batería de cartucho a la lluvia o nieve.**

Un corto circuito en la batería puede causar un flujo grande de corriente, sobrecalentamiento, posibles quemaduras y aún descomposturas.

6. **No guarde la herramienta ni el cartucho de batería en lugares donde la temperatura pueda alcanzar o exceder los 50 ° C (122 ° F).**
7. **Nunca incinere el cartucho de batería incluso en el caso de que esté dañado seriamente o ya no sirva en absoluto. El cartucho de batería puede explotar si se tira al fuego.**

8. **Tenga cuidado de no dejar caer ni golpear el cartucho de batería.**
9. **No use una batería dañada.**
10. **Siga las regulaciones locales relacionadas al desecho de las baterías.**

## GUARDE ESTAS INSTRUCCIONES.

### Consejos para alargar al máximo la vida útil de la batería

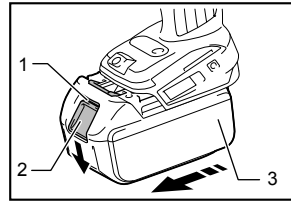
1. **Cargue el cartucho de batería antes de que se descargue completamente.**  
**Pare siempre la operación y cargue el cartucho de batería cuando note menos potencia en la herramienta.**
2. **No cargue nunca un cartucho de batería que esté completamente cargado.**  
**La sobrecarga acortará la vida de servicio de la batería.**
3. **Cargue el cartucho de batería a temperatura ambiente de 10 ° C - 40 ° C (50 ° F - 104 ° F). Si un cartucho de batería está caliente, déjelo enfriar antes de cargarlo.**
4. **Recargue el cartucho de la batería una vez cada seis meses si no se va a usar por un periodo extenso.**

## DESCRIPCIÓN DEL FUNCIONAMIENTO

### ⚠PRECAUCIÓN:

- Asegúrese siempre de que la herramienta esté apagada y el cartucho de batería extraído antes de realizar cualquier ajuste o comprobación en la herramienta.

### Instalación o desmontaje del cartucho de batería



1. Indicador rojo
2. Botón
3. Cartucho de batería

015161

### ⚠PRECAUCIÓN:

- Apague siempre la herramienta antes de colocar o quitar el cartucho de batería.
- **Sujete la herramienta y el cartucho de la batería con firmeza al colocar o quitar el cartucho.** Si no se sujeta con firmeza la herramienta y el cartucho de la batería, puede ocasionar que se resbalen de sus manos resultando en daños a la herramienta y al cartucho, así como lesiones a la persona.

Para quitar el cartucho de batería, deslícelo de la herramienta mientras desliza el botón sobre la parte delantera del cartucho.

Para colocar el cartucho de batería, alinee la lengüeta sobre el cartucho de batería con la ranura en la carcasa y deslice en su lugar. Inserte por completo hasta que se fije en su lugar con un pequeño clic. Si puede ver el indicador rojo del lado superior del botón, esto indica que no ha quedado fijo por completo.

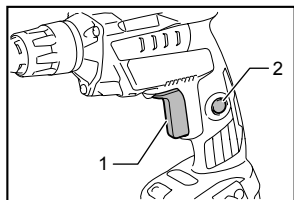
### ⚠PRECAUCIÓN:

- Introduzca siempre completamente el cartucho de batería hasta que el indicador rojo no pueda verse. Si no, podría accidentalmente salirse de la herramienta y caer al suelo causando una lesión a usted o alguien a su alrededor.
- No instale el cartucho de batería a la fuerza: si el cartucho no se desliza al interior fácilmente, se debe a que no está siendo insertado correctamente.

## Accionamiento del interruptor

### ⚠PRECAUCIÓN:

- Antes de insertar el cartucho de batería en la herramienta, compruebe siempre y cerciórese de que el gatillo interruptor se acciona debidamente y que vuelve a la posición "OFF"(apagado) cuando lo suelta.
- El interruptor puede ser bloqueado en la posición "ON" (encendido) para mayor comodidad del operario durante una utilización prolongada. Tenga precaución cuando bloquee la herramienta en la posición "ON" (encendido) y sujete la herramienta firmemente.



1. Gatillo interruptor
2. Botón de bloqueo

015162

Para iniciar la herramienta, solo tiene que jalar el gatillo interruptor. La velocidad de la herramienta aumenta al incrementar la presión en el gatillo interruptor. Suelte el gatillo interruptor para parar la herramienta.

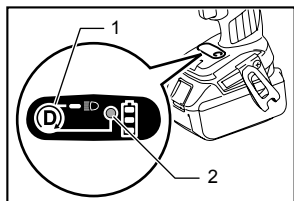
Para una operación continua, jale el gatillo interruptor y presione el botón de bloqueo soltando luego el gatillo.

Para desbloquear la herramienta, jale el gatillo interruptor por completo y luego suéltelo.

### NOTA:

- Incluso con el interruptor encendido y el motor corriendo, la punta no gira. Empuje la herramienta hacia adelante para accionar el embrague.
- La herramienta automáticamente para si el motor continúa rotando por alrededor de 6 minutos.

## Modo de operación a presión



1. Botón
2. Indicador del modo

015173

Esta herramienta cuenta con modo de operación a presión. En este modo, la herramienta interrumpe la alimentación al motor para ahorrar poder de batería al estar en marcha pasiva.

Para seleccionar el modo de operación a presión, jale ligeramente el gatillo y luego suéltelo y presione rápidamente el botón. El indicador del modo se encenderá entonces.

Una vez activado la operación a presión, jale el gatillo interruptor y luego presione el botón de bloqueo. Aplique presión a la punta para iniciar la rotación del motor. Al continuar presionando más, se accionará el embrague y la punta comenzará a girar. En el modo de operación a presión, el motor y la punta de operación solo girarán al aplicar presión.

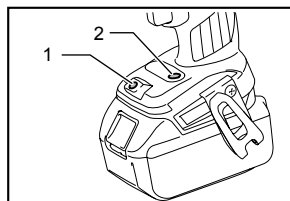
### NOTA:

- Si la herramienta no es accionada por alrededor de 8 horas al estar con el modo de operación a presión y el gatillo bloqueado, la herramienta se apagará. En tal caso, suelte y jale el gatillo de nuevo para volver arrancar la herramienta.

## Freno eléctrico

Esta herramienta está equipada con un freno eléctrico. Si la herramienta dejase de parar enseguida repetidamente después de soltar el gatillo interruptor, pida a un centro de servicio Makita que le hagan el mantenimiento.

## Encendido de la luz indicadora



1. Lámpara
2. Botón

015163

Para encender la lámpara, jale levemente el gatillo interruptor, suéltelo y presione el botón durante unos segundos. La lámpara se encenderá. La lámpara se apaga aproximadamente 10 segundos tras haber liberado el gatillo interruptor. Para encender la lámpara de nuevo, jale el gatillo interruptor otra vez.

Para evitar que la luz se apague, jale levemente el gatillo interruptor y suéltelo. Luego presione el botón durante algunos segundos.

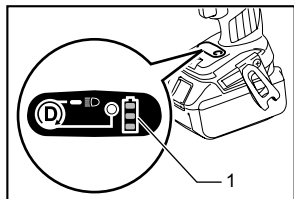
En el modo de operación a presión con el gatillo interruptor bloqueado, la lámpara se apaga aproximadamente un minuto tras haber apagado el motor.

### NOTA:

- Mientras se jala el gatillo interruptor, el modo de la lámpara no puede cambiarse.
- En aproximadamente 10 segundos tras soltar el gatillo interruptor, el modo de la lámpara puede cambiarse.

- Utilice un paño seco para quitar la suciedad de la lente de la lámpara. Tenga cuidado de no rayar la lente de la lámpara, porque podrá disminuir la iluminación.

### Indicación de la capacidad restante de batería



1. Indicador de batería

015174

Al jalar el gatillo interruptor, el indicador de la batería muestra la capacidad restante de la batería.

La capacidad restante de la batería se muestra como se indica en la tabla a continuación.

Estado indicador de la batería	Capacidad restante de la batería
■ Encendido ("ON") □ : APAGADO □ : Intermitencia	
	50 % - 100 %
	20 % - 50 %
	0 % - 20 %
	Recargue la batería

015175

#### NOTA:

- En aproximadamente un minuto tras parar el motor, los indicadores se apagan para ahorrar poder de la batería. Para consultar la capacidad restante de la batería, jale levemente el gatillo interruptor.

### Sistema de protección de la herramienta / batería

La herramienta está equipada con un sistema de protección de la herramienta / batería. Este sistema corta en forma automática el suministro de energía al motor para prolongar la vida útil de la herramienta y batería.

La herramienta se detendrá automáticamente durante el funcionamiento si la herramienta o la batería se

someten a una de las siguientes condiciones. En algunas condiciones, la luz indicadora se enciende.

#### Protección contra sobrecarga

Cuando la herramienta es utilizada de tal manera que cause un consumo anormalmente alto de corriente, la herramienta automáticamente se para sin indicación alguna. En este caso, apague la herramienta y detenga la aplicación que causó que la herramienta se sobrecargara. Luego encienda la herramienta y reinicie.

#### Protección contra el sobrecalentamiento de la herramienta

Cuando la herramienta se sobrecalienta, ésta se para automáticamente y el indicador de la batería muestra el siguiente estado. En este caso, espere a que la herramienta se enfríe antes de volver a encender la herramienta.

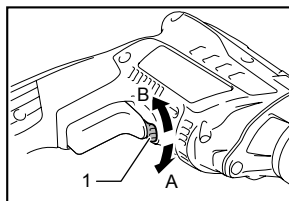
Indicador de batería	■ Encendido ("ON") □ : APAGADO □ : Intermitencia
	Herramienta sobrecalentada

015176

### Accionamiento del conmutador de inversión de giro

#### ⚠PRECAUCIÓN:

- Confirme siempre la dirección de giro antes de la operación.
- Utilice el conmutador de inversión solamente después de que la herramienta haya parado completamente. Si cambia la dirección de giro antes de que la herramienta haya parado podrá dañarla.



1. Palanca del conmutador de inversión de giro

015164

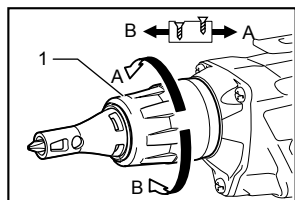
Esta herramienta cuenta con un conmutador de inversión que se utiliza para cambiar la dirección de la rotación. Mueva la palanca del conmutador de inversión a la posición ⇐ (lado A) para que el eje de la herramienta rote en el sentido de las agujas del reloj y en la posición ⇒ (lado B) para que rote en el sentido opuesto al de las agujas del reloj.

Cuando la palanca del conmutador de inversión esté en la posición neutral, no se podrá apretar el gatillo interruptor.

### **⚠PRECAUCIÓN:**

Cuando no esté utilizando la herramienta, ponga siempre la palanca del conmutador de inversión en la posición neutral.

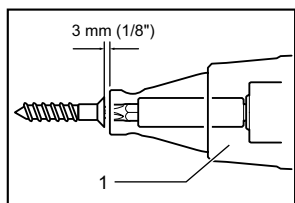
### **Ajuste de la profundidad**



1. Localizador

015165

La profundidad puede ajustarse al girar el localizador. Gírelo a la dirección "B" para menor profundidad, y hacia la dirección "A" para mayor profundidad. Un giro completo del localizador equivale a un cambio de 2 mm (1/16") en la profundidad.



1. Localizador

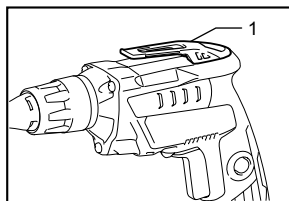
011827

Ajuste el localizador de tal manera que la distancia entre la punta del localizador y la cabeza del tornillo sea aproximadamente de 3 mm (1/8") como se muestra en las ilustraciones. Coloque un tornillo de prueba en su material o pieza de réplica del material. Si la profundidad no corresponde con el tornillo, continúe ajustando hasta que obtenga la configuración de profundidad apropiada.

### **Gancho**

### **⚠PRECAUCIÓN:**

- Retire siempre el cartucho de batería al colgar la herramienta con el gancho.
- Nunca enganche la herramienta en un lugar elevado o en una superficie potencialmente inestable.



1. Gancho

015170

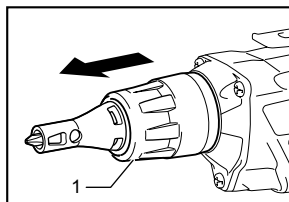
El gancho es conveniente para cuando desea colgar la herramienta temporalmente.

## **ENSAMBLE**

### **⚠PRECAUCIÓN:**

- Asegúrese siempre de que la herramienta esté apagada y el cartucho de batería extraído antes de realizar cualquier trabajo en la misma.

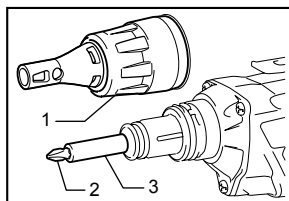
### **Instalación o extracción de la punta**



1. Localizador

015166

Para quitar la punta, tire del localizador. Luego sujete la punta con un par de tenazas y jale para sacarla del portapuntas magnético. A veces, resulta útil contonear la punta con las tenazas a medida que la saca.

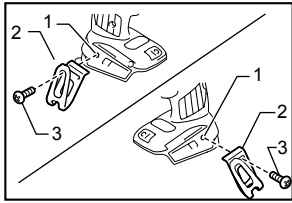


1. Localizador  
2. Punta de atornillar  
3. Portapuntas magnético

015167

Para instalar la punta, empújela firmemente en el portapuntas magnético. Luego coloque el localizador al empujarlo firmemente hasta al fondo.

## Gancho



1. Ranura
2. Gancho
3. Tornillo

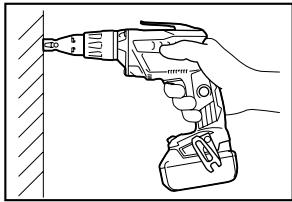
015168

El gancho resulta útil para colgar temporalmente la herramienta. Se puede instalar en cualquiera de los lados de la herramienta.

Para instalar el gancho, insértelo en una ranura del alojamiento de la herramienta de cualquiera de los lados y después sujételo con un tornillo. Para quitarlo, afloje el tornillo y después sáquelo.

## OPERACIÓN

### Operación de atornillado



015169

Encaje la punta de atornillar sobre la cabeza del tornillo y la punta del tornillo en la superficie de la pieza de trabajo a ser fijada. Aplique presión a la herramienta y enciéndala. Retire la herramienta tan pronto el embrague (clutch) se accione. Luego suelte el gatillo del interruptor.

### ⚠PRECAUCIÓN:

- Cuando encaje la punta sobre la cabeza del tornillo, tenga cuidado de no empujar el tornillo. Si el tornillo se empuja hacia adentro, el embrague se engranará y el tornillo rotará repentinamente. Esto podría dañar la pieza de trabajo o causar una lesión.
- Asegúrese de que la punta está insertada rectamente en la cabeza del tornillo, o el tornillo y/o la punta podrían dañarse.

## MANTENIMIENTO

### ⚠PRECAUCIÓN:

- Asegúrese siempre de que la herramienta esté apagada y el cartucho de batería extraído antes de intentar realizar una inspección o mantenimiento.
- Nunca use gasolina, bencina, diluyente (tíner), alcohol o sustancias similares. Puede que esto ocasione grietas o descoloramiento.

Para mantener la SEGURIDAD y FIABILIDAD del producto, las reparaciones, la inspección y sustitución de las escobillas de carbón, y cualquier otro mantenimiento o ajuste deberán ser realizados en Centros o Servicios de fábrica Autorizados por Makita, empleando siempre piezas de repuesto de Makita.

## ACCESORIOS OPCIONALES

### ⚠PRECAUCIÓN:

- Estos accesorios o aditamentos (incluidos o no) están recomendados para utilizar con su herramienta Makita especificada en este manual. El empleo de cualesquiera otros accesorios o acoplamientos conllevará un riesgo de sufrir heridas personales. Utilice los accesorios o acoplamientos solamente para su fin establecido.

Si necesita cualquier ayuda para más detalles en relación con estos accesorios, pregunte a su centro de servicio Makita local.

- Puntas de inserción Phillips
- Portapuntas magnético
- Batería y cargador originales de Makita
- Maletín de transporte de plástico

### NOTA:

Algunos de los artículos en la lista puede que vengan junto con el paquete de la herramienta como accesorios incluidos. Puede que estos accesorios varíen de país a país.

---

## **GARANTÍA LIMITADA MAKITA DE UN AÑO**

### **Ésta Garantía no aplica para México**

#### **Política de garantía**

Cada herramienta Makita es inspeccionada y probada exhaustivamente antes de salir de fábrica. Se garantiza que va a estar libre de defectos de mano de obra y materiales por el periodo de UN AÑO a partir de la fecha de adquisición original. Si durante este periodo de un año se desarrollase algún problema, retorne la herramienta COMPLETA, porte pagado con antelación, a una de las fábricas o centros de servicio autorizados Makita. Si la inspección muestra que el problema ha sido causado por mano de obra o material defectuoso, Makita la reparará (o a nuestra opción, reemplazará) sin cobrar.

Esta garantía no será aplicable cuando:

- se hayan hecho o intentado hacer reparaciones por otros:
- se requieran reparaciones debido al desgaste normal:
- la herramienta haya sido abusada, mal usada o mantenido indebidamente:
- se hayan hecho alteraciones a la herramienta.

EN NINGÚN CASO MAKITA SE HARÁ RESPONSABLE DE NINGÚN DAÑO INDIRECTO, FORTUITO O CONSECUENCIAL DERIVADO DE LA VENTA O USO DEL PRODUCTO.

ESTA RENUNCIA SERÁ APLICABLE TANTO DURANTE COMO DESPUÉS DEL TÉRMINO DE ESTA GARANTÍA.

MAKITA RENUNCIA LA RESPONSABILIDAD POR CUALQUIER GARANTÍA IMPLÍCITA, INCLUYENDO GARANTÍAS IMPLÍCITAS DE "COMERCIALIDAD" E "IDONEIDAD PARA UN FIN ESPECÍFICO", DESPUÉS DEL TÉRMINO DE UN AÑO DE ESTA GARANTÍA.

Esta garantía le concede a usted derechos legales específicos, y usted podrá tener también otros derechos que varían de un estado a otro. Algunos estados no permiten la exclusión o limitación de daños fortuitos o consecuenciales, por lo que es posible que la antedicha limitación o exclusión no le sea de aplicación a usted. Algunos estados no permiten limitación sobre la duración de una garantía implícita, por lo que es posible que la antedicha limitación no le sea de aplicación a usted.

EN0006-1

< USA only >

# WARNING

Some dust created by power sanding, sawing, grinding, drilling, and other construction activities contains chemicals known to the State of California to cause cancer, birth defects or other reproductive harm. Some examples of these chemicals are:

- lead from lead-based paints,
- crystalline silica from bricks and cement and other masonry products, and
- arsenic and chromium from chemically-treated lumber.

Your risk from these exposures varies, depending on how often you do this type of work. To reduce your exposure to these chemicals: work in a well ventilated area, and work with approved safety equipment, such as those dust masks that are specially designed to filter out microscopic particles.

< Sólo en los Estados Unidos >

# ADVERTENCIA

Algunos polvos creados por el lijado, aserrado, esmerilado, taladrado y otras actividades de la construcción contienen sustancias químicas reconocidas por el Estado de California como causantes de cáncer, defectos de nacimiento y otros peligros de reproducción. Algunos ejemplos de estos productos químicos son:

- plomo de pinturas a base de plomo,
- sílice cristalino de ladrillos y cemento y otros productos de albañilería, y
- arsénico y cromo de maderas tratadas químicamente.

El riesgo al que se expone varía, dependiendo de la frecuencia con la que realice este tipo de trabajo. Para reducir la exposición a estos productos químicos: trabaje en un área bien ventilada y póngase el equipo de seguridad indicado, tal como las máscaras contra polvo que están especialmente diseñadas para filtrar partículas microscópicas.

**Makita Corporation**

3-11-8, Sumiyoshi-cho,  
Anjo, Aichi 446-8502 Japan





**Cordless LED Flashlight**

**Instruction manual**

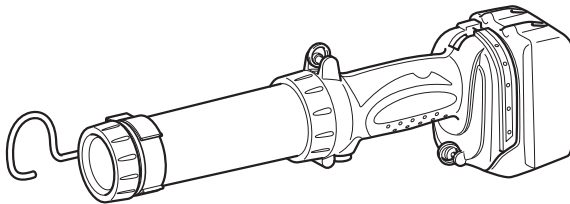
**Lampe Torche LED**

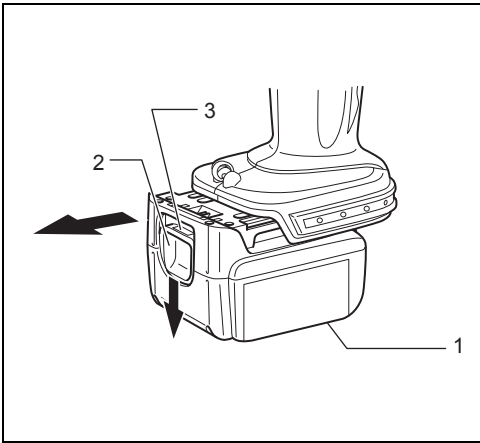
**Manuel d'instructions**

**Linterna LED Inalámbrica**

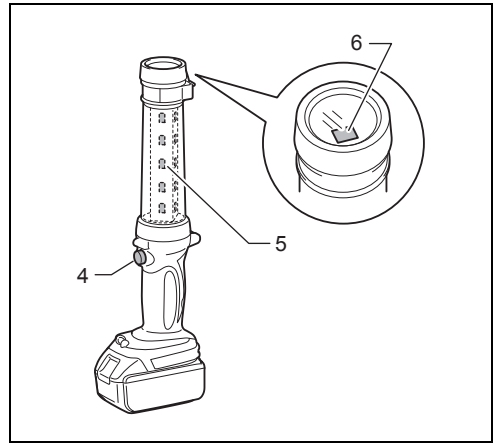
**Manual de instrucciones**

**DML806**

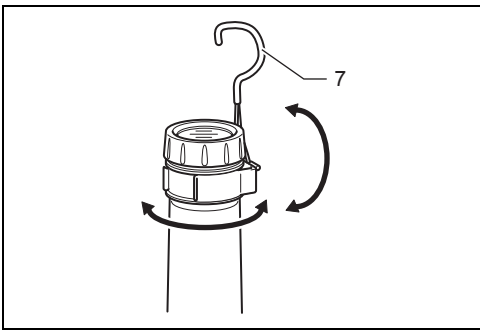




1



2



3

**Diagram Legend**

- |                           |                       |                    |
|---------------------------|-----------------------|--------------------|
| 1. Battery                | 4. Switch             | 6. Sub LED (1 pc.) |
| 2. Battery Release Button | 5. Main LED (20 pcs.) | 7. Metal Hook      |
| 3. Red Indicator          |                       |                    |

**SPECIFICATIONS**

Model		DML806		
Major Features		DC 14.4 V/18 V		
Voltage		Main LED 0.5 W x 20 pcs.		
LED		Sub LED 1.0 W x 1 pc.		
Operating time	Standard battery cartridge	Main LED (20 pcs.) when lit	Main LED (10 pcs.) when lit	Sub LED (1 pc.) when lit
	BL1415	Approx. 2.0 hours	Approx. 3.5 hours	Approx. 11.0 hours
	BL1415N	Approx. 2.5 hours	Approx. 4.5 hours	Approx. 14.5 hours
	BL1430	Approx. 4.0 hours	Approx. 8.0 hours	Approx. 24.0 hours
	BL1440	Approx. 6.5 hours	Approx. 12.5 hours	Approx. 38.0 hours
	BL1450	Approx. 9.0 hours	Approx. 17.5 hours	Approx. 53.0 hours
	BL1815	Approx. 2.5 hours	Approx. 5.0 hours	Approx. 14.0 hours
	BL1815N	Approx. 3.0 hours	Approx. 6.0 hours	Approx. 17.0 hours
	BL1820	Approx. 4.0 hours	Approx. 8.5 hours	Approx. 23.0 hours
	BL1830	Approx. 6.0 hours	Approx. 11.5 hours	Approx. 33.0 hours
Dimensions (with BL1830, without hook)		L 365 mm x W 78 mm x H 119 mm		
Weight (without battery)		0.4 kg		

- Due to our ongoing research and development, the specifications herein are subject to change without notice.
- Note: Specifications may differ from country to country.

**IMPORTANT SAFETY INSTRUCTIONS**

**⚠ WARNING:**

When using electric tools, basic safety precautions should always be followed to reduce the risk of fire, electric shock, and personal injury, including the following:

**READ ALL INSTRUCTIONS.**

- |   |   |
|---|---|
| <ol style="list-style-type: none"> <li>1. Before using battery cartridge, read all instructions and cautionary markings on (1) battery charger, (2) battery, and (3) product using battery.</li> <li>2. Recharge only with the charger specified by the manufacturer. A charger that is suitable for one type of battery pack may create a risk of fire when used with another battery pack.</li> <li>3. Use a power source with the voltage specified on the nameplate of the charger.</li> <li>4. Do not attempt to use a step-up transformer, an engine generator or DC power receptacle.</li> <li>5. Charge the battery cartridge with room temperature at 10°C - 40°C (50°F - 104°F).<br/>Let a hot battery cartridge cool down before charging it.</li> </ol> | <ol style="list-style-type: none"> <li>6. When battery pack is not in use, keep it away from other metal objects like paper clips, coins, keys, nails, screws, or other small metal objects that can make a connection from one terminal to another. Shorting the battery terminals together may cause sparks, burns, or a fire.</li> <li>7. After charging or before attempting any maintenance or cleaning, unplug the charger from the power source.</li> <li>8. Do not touch the inside of the flashlight head with tweezers, metal tools, etc.</li> <li>9. Under abusive conditions, liquid may be ejected from the battery, avoid contact. If contact accidentally occurs, flush with water. If liquid contacts eyes, additionally seek medical help. Liquid ejected from the battery may cause irritation or burns.</li> <li>10. Do not short the battery cartridge:             <ol style="list-style-type: none"> <li>(1) Do not touch the terminals with any conductive material.</li> <li>(2) Avoid storing battery cartridge in a container with other metal objects such as nails, coins, etc.</li> <li>(3) Do not expose battery cartridge to water or rain. A battery short can cause a large current flow, overheating, possible burns and even a breakdown.</li> </ol> </li> </ol> |
|---|---|

- If electrolyte gets into your eyes, rinse them out with clear water and seek medical attention right away. It may result in loss of your eyesight.
- Be careful not to drop or strike battery.
- Do not incinerate the battery cartridge even if it is severely damaged or is completely worn out. The battery cartridge can explode in a fire.

#### **⚠ CAUTION:**

- When the tool is not in use, always switch off and remove the battery cartridge from the tool.
- Do not store the tool and battery cartridge in locations where the temperature may reach or exceed 50°C (122°F).
- Do not give the tool a shock by dropping, striking, etc.
- Do not expose the light to eyes continuously. It may hurt them.
- Do not cover or clog the lit tool with cloth or carton, etc. Covering or clogging it may cause a flame.
- Do not disassemble the charger or battery cartridge; take it to a qualified serviceman when service or repair is required. Incorrect reassembly may result in a risk of electric shock or fire.
- Use the tools only with specifically designated battery packs. Use of any other battery packs may create a risk of injury and fire.
- If operating time has become excessively shorter, stop operating immediately. It may result in a risk of overheating, possible burns and even an explosion.
- Do not use a damaged battery.
- Charge the battery cartridge before completely discharged. Always stop tool operation and charge the battery cartridge when you notice less tool power.
- Never recharge a fully charged battery cartridge. Overcharging shortens the battery service life.
- If any problem develops, consult your nearest Makita Service Center or dealer. To maintain product safety and reliability, repairs, maintenance or adjustment should be carried out by Makita Authorized Service Center.
- Charge the battery cartridge once in every six months if you do not use it for a long period of time.

## SAVE THESE INSTRUCTIONS.

## FUNCTIONAL DESCRIPTION

### Installing or removing the battery cartridge (Fig. 1)

#### **⚠ CAUTION:**

- Always switch off the tool before installing or removing of the battery cartridge.
- Hold the tool and the battery cartridge firmly when installing or removing battery cartridge.** Failure to hold the tool and the battery cartridge firmly may cause them to slip off your hands and result in damage to the tool and battery cartridge and a personal injury.

To remove the battery cartridge, slide it from the tool while sliding the button on the front of the cartridge.

To install the battery cartridge, align the tongue on the battery cartridge with the groove in the housing and slip it into place. Insert it all the way until it locks in place with a little click. If you can see the red indicator on the upper side of the button, it is not locked completely.

#### **⚠ CAUTION:**

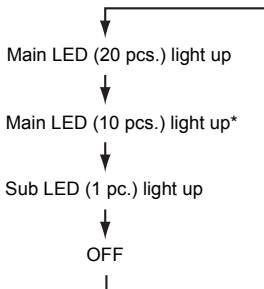
- Always install the battery cartridge fully until the red indicator cannot be seen. If not, it may accidentally fall out of the tool, causing injury to you or someone around you.
- Do not install the battery cartridge forcibly. If the cartridge does not slide in easily, it is not being inserted correctly.

### Switch operations (Fig. 2)

#### **⚠ CAUTION:**

- Do not look in the LED light or see the source of light directly.

Press the switch as shown below to change modes.



- \* The LEDs that will light up are the two rows on the switch side.

### Metal hook (Fig. 3)

Pivot the metal hook upright before using it. The hook can be turned at 360° and removed.

## MAINTENANCE

To maintain product safety and reliability, repairs and maintenance should be carried out by a Makita Authorized Service Center.

#### **⚠ CAUTION:**

- Never use gasoline, benzine, thinner, alcohol or the like. Discoloration, deformation or cracks may result.

## OPTIONAL ACCESSORIES

#### **⚠ CAUTION:**

These accessories or attachments are recommended for use with your Makita tool specified in this manual. The use of any other accessories or attachments might present a risk of injury to persons. The accessories or attachments should be used only in the proper and intended manner.

- Shoulder strap
- Makita genuine battery and charger

#### **NOTE:**

- Some items in the list may be included in the tool package as standard accessories. They may differ from country to country.

**Légende du schéma**

- |  |                               |                             |
|--|-------------------------------|-----------------------------|
| 1. Batterie                            | 3. Témoins rouge              | 6. LED secondaire (1 unité) |
| 2. Bouton de dégagement de la batterie | 4. Interrupteur               | 7. Crochet métallique       |
|  | 5. LED principale (20 unités) |                             |

**CARACTÉRISTIQUES TECHNIQUES**

Modèle		DML806		
Caractéristiques principales				
Tension		14,4 V c.c., 18 V		
LED		LED principale 0,5 W x 20 unités		
		LED secondaire 1,0 W x 1 unité		
Temps de fonctionnement	Batterie standard	LED principale (20 unités) quand allumé	LED principale (10 unités) quand allumé	LED secondaire (1 unité) quand allumé
	BL1415	Environ 2,0 heures	Environ 3,5 heures	Environ 11,0 heures
	BL1415N	Environ 2,5 heures	Environ 4,5 heures	Environ 14,5 heures
	BL1430	Environ 4,0 heures	Environ 8,0 heures	Environ 24,0 heures
	BL1440	Environ 6,5 heures	Environ 12,5 heures	Environ 38,0 heures
	BL1450	Environ 9,0 heures	Environ 17,5 heures	Environ 53,0 heures
	BL1815	Environ 2,5 heures	Environ 5,0 heures	Environ 14,0 heures
	BL1815N	Environ 3,0 heures	Environ 6,0 heures	Environ 17,0 heures
	BL1820	Environ 4,0 heures	Environ 8,5 heures	Environ 23,0 heures
	BL1830	Environ 6,0 heures	Environ 11,5 heures	Environ 33,0 heures
BL1840	Environ 8,5 heures	Environ 16,5 heures	Environ 46,0 heures	
BL1850	Environ 11,0 heures	Environ 21,0 heures	Environ 59,0 heures	
Dimensions (avec BL1830, sans crochet)		L 365 mm x P 78 mm x H 119 mm		
Poids (sans batterie)		0,4 kg		

- Étant donné l'évolution constante de notre programme de recherche et de développement, les caractéristiques techniques contenues dans ce manuel sont modifiables sans préavis.
- Remarque : Les caractéristiques techniques peuvent varier suivant les pays.

**CONSIGNES DE SÉCURITÉ IMPORTANTES**

**⚠ AVERTISSEMENT :**

Lors de l'utilisation d'outils électriques, il faut toujours prendre des précautions élémentaires de sécurité, dont les suivantes, pour réduire les risques d'incendie, de décharge électrique et de blessure.

**LISEZ TOUTES LES INSTRUCTIONS.**

1. Avant d'utiliser la batterie, lisez toutes les instructions et précautions relatives (1) au chargeur de batterie, (2) à la batterie et (3) à l'appareil utilisant la batterie.
2. Ne rechargez l'appareil qu'avec le chargeur spécifié par le fabricant. Un chargeur conçu pour un certain type de batterie risque de déclencher un incendie s'il est utilisé avec une autre batterie.
3. Utilisez une source d'alimentation conforme à la tension électrique spécifiée sur la plaque signalétique du chargeur.

4. Ne tentez pas d'utiliser un transformateur élévateur, une génératrice ou une prise de courant c.c.
5. Rechargez la batterie dans une température ambiante variant de 10°C à 40°C (50°F à 104°F). Si la batterie est chaude, laissez-la refroidir avant de la recharger.
6. Lorsque la batterie n'est pas utilisée, tenez-la à distance des objets métalliques tels que trombones, pièces de monnaie, clés, clous, vis ou autres petits objets métalliques, conducteurs potentiels entre une borne et une autre.  
Un court-circuit entre les bornes de la batterie peut provoquer des étincelles, des brûlures ou un incendie.
7. Après la charge ou avant un entretien ou un nettoyage, débranchez le chargeur de la source d'alimentation.
8. Ne touchez pas l'intérieur de la lampe torche avec des brucelles, des outils métalliques, etc.
9. Dans des conditions d'utilisation inadéquates de la batterie, il peut y avoir fuite d'électrolyte; évitez tout contact avec celui-ci. En cas de contact accidentel, rincez abondamment à l'eau claire. Si du liquide entre en contact avec les yeux, consultez un médecin. Le

liquide qui gicle de la batterie peut provoquer des irritations ou des brûlures.

10. Ne court-circuitez pas la batterie :

- (1) Ne touchez pas les bornes avec un matériau conducteur.
- (2) Évitez de ranger la batterie dans un conteneur avec tout objet métallique tel que des clous, des pièces de monnaie, etc.
- (3) N'exposez pas la batterie à l'eau ou à la pluie.

Un court-circuit peut causer un fort courant, une surchauffe, parfois des brûlures et même une panne de l'outil.

11. Si un électrolyte pénètre dans vos yeux, rincez-les avec de l'eau et consultez immédiatement un médecin. Il existe un risque de cécité.

12. Évitez de faire tomber ou de heurter la batterie.

13. Ne jetez pas la batterie au feu même si elle est sérieusement endommagée ou complètement épuisée. Au contact du feu, la batterie peut exploser.

**⚠ ATTENTION :**

1. Après l'utilisation, mettez toujours l'outil hors tension et retirez la batterie.
2. Ne rangez pas l'outil ou la batterie dans des endroits où la température risque d'atteindre ou de dépasser 50°C (122°F).
3. Évitez de faire subir un choc à l'outil en l'échappant, en le heurtant, etc.
4. N'exposez pas les yeux à la lumière de manière continue. Il existe un risque de brûlure aux yeux.
5. L'outil d'éclairage ne doit être ni couvert ni obstrué par un linge, un carton, etc. S'il est couvert ou obstrué, il y a risque d'incendie.
6. Ne démontez ni le chargeur ni la batterie; apportez-les chez un réparateur agréé lorsqu'elles ont besoin d'entretien ou d'une réparation. Un remontage incorrect peut entraîner une décharge électrique ou un incendie.
7. N'utilisez les outils qu'avec leurs batteries spécifiques. D'autres batteries risqueraient de vous blesser ou de provoquer un incendie.
8. Cessez immédiatement l'utilisation si le temps de fonctionnement devient excessivement court. Il existe un risque de surchauffe, de brûlures, voire d'explosion.
9. N'utilisez pas de batterie endommagée.
10. Rechargez la batterie avant qu'elle ne se décharge complètement. Vous devez toujours arrêter l'outil et recharger sa batterie lorsque vous remarquez une baisse de puissance.
11. Ne rechargez jamais une batterie complètement chargée. Les surcharges raccourcissent la durée de vie de la batterie.
12. Si un problème quelconque survient, informez-vous auprès du centre de service Makita le plus près ou de votre détaillant. Pour assurer le fonctionnement sûr et fiable du produit, les réparations ou l'entretien doivent être effectués par un centre de service agréé Makita.
13. Rechargez la batterie tous les six mois si l'appareil n'est pas utilisé pendant de longues périodes.

## CONSERVEZ LES PRÉSENTES INSTRUCTIONS.

### DESCRIPTION DE FONCTIONNEMENT

#### Installation ou retrait de la batterie (Fig. 1)

**⚠ ATTENTION :**

- Mettez toujours l'appareil hors tension avant d'installer ou de retirer la batterie.
- **Tenez l'outil et la batterie fermement lors de l'installation ou du retrait de la batterie.** Dans le cas contraire, ils pourraient vous glisser des mains, ce qui pourrait endommager l'outil et la batterie, et vous blesser.

Pour retirer la batterie, faites-la glisser de l'outil tout en faisant glisser le bouton se trouvant à l'avant.

Pour installer la batterie, alignez sa languette sur la rainure pratiquée dans le boîtier, et glissez la batterie en place. Insérez-la à fond jusqu'à ce que vous entendiez un clic. Si vous pouvez voir l'indicateur rouge situé sur le dessus du bouton, la batterie n'est pas complètement verrouillée.

**⚠ ATTENTION :**

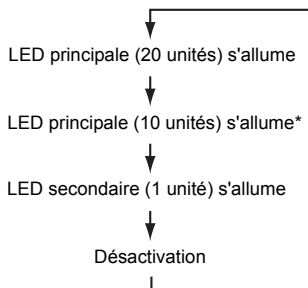
- Installez toujours la batterie à fond jusqu'à ce que vous ne puissiez plus voir l'indicateur rouge. Dans le cas contraire, elle pourrait tomber de l'outil et entraîner des blessures.
- Ne forcez pas sur la batterie pour l'installer. Si la batterie ne glisse pas facilement, c'est qu'elle n'est pas insérée correctement.

#### Actionnement de l'interrupteur (Fig. 2)

**⚠ ATTENTION :**

- Ne regardez pas lampe à LED et n'observez pas la source de lumière directement.

Appuyez sur l'interrupteur de la façon illustrée ci-dessous pour changer le mode.



\* Les LED des deux rangées du côté de l'interrupteur s'allument.

#### Crochet métallique (Fig. 3)

Dépliez le crochet métallique avant de l'utiliser.

Il est possible de tourner le crochet à 360° ou de l'enlever.

## ENTRETIEN

Pour assurer le fonctionnement sûr et fiable du produit, les réparations et l'entretien doivent être effectués par un centre de service agréé Makita.

### **ATTENTION :**

- N'utilisez jamais d'essence, de benzine, de solvant, d'alcool ou tout autre produit similaire. Cela pourrait provoquer une décoloration, une déformation ou la formation de fissures.

## ACCESSOIRES EN OPTION

### **ATTENTION :**

Ces accessoires et fixations sont recommandés pour être utilisés avec l'outil Makita spécifié dans ce manuel.

L'utilisation de tout autre accessoire ou fixation peut comporter un risque de blessure. Les accessoires et fixations doivent être utilisés uniquement de la manière adéquate prévue.

- Bandoulière
- Batterie et chargeur Makita d'origine

### **REMARQUE :**

- Certains éléments de la liste peuvent être inclus avec l'outil comme accessoires standard. Ils peuvent varier suivant les pays.

**Leyenda del diagrama**

- |                                      |                              |                             |
|--------------------------------------|------------------------------|-----------------------------|
| 1. Batería                           | 4. Interruptor               | 6. LED secundario (1 pieza) |
| 2. Botón de liberación de la batería | 5. LED principal (20 piezas) | 7. Gancho de metal          |
| 3. Indicador rojo                    |                              |                             |

**ESPECIFICACIONES**

Modelo		DML806		
Características principales				
Tensión		CC 14,4 V/ 18 V		
LED		LED principal 0,5 W x 20 piezas		
		LED secundario 1,0 W x 1 pieza		
Tiempo de operación	Cartucho de batería estándar	LED principal (20 piezas) cuando está encendido	LED principal (10 piezas) cuando está encendido	LED secundario (1 pieza) cuando está encendida
	BL1415	Aprox. 2,0 horas	Aprox. 3,5 horas	Aprox. 11,0 horas
	BL1415N	Aprox. 2,5 horas	Aprox. 4,5 horas	Aprox. 14,5 horas
	BL1430	Aprox. 4,0 horas	Aprox. 8,0 horas	Aprox. 24,0 horas
	BL1440	Aprox. 6,5 horas	Aprox. 12,5 horas	Aprox. 38,0 horas
	BL1450	Aprox. 9,0 horas	Aprox. 17,5 horas	Aprox. 53,0 horas
	BL1815	Aprox. 2,5 horas	Aprox. 5,0 horas	Aprox. 14,0 horas
	BL1815N	Aprox. 3,0 horas	Aprox. 6,0 horas	Aprox. 17,0 horas
	BL1820	Aprox. 4,0 horas	Aprox. 8,5 horas	Aprox. 23,0 horas
	BL1830	Aprox. 6,0 horas	Aprox. 11,5 horas	Aprox. 33,0 horas
	BL1840	Aprox. 8,5 horas	Aprox. 16,5 horas	Aprox. 46,0 horas
	BL1850	Aprox. 11,0 horas	Aprox. 21,0 horas	Aprox. 59,0 horas
Dimensiones (con BL1830, sin gancho)		365 mm de largo x 78 mm de ancho x 119 mm de alto		
Peso (sin batería)		0,4 kg		

- Debido a nuestra investigación y desarrollo constante, las especificaciones aquí dadas están sujetas a cambios sin previo aviso.
- Nota: Las especificaciones pueden ser diferentes de país a país.

**INSTRUCCIONES IMPORTANTES DE SEGURIDAD**

**⚠ ADVERTENCIA:**

Cuando utilice herramientas eléctricas, deberá tomar siempre precauciones de seguridad básicas, incluyendo las siguientes, para reducir el riesgo de incendios, descargas eléctricas y heridas personales:

**LEA TODAS LAS INSTRUCCIONES.**

1. Antes de utilizar el cartucho de batería, lea todas las instrucciones e indicaciones de precaución sobre (1) el cargador de batería, (2) la batería, y (3) el producto con el que se utiliza la batería.
2. Recargue solamente con el cargador especificado por el fabricante. Un cargador que sea adecuado para un tipo de cartucho de la batería específico puede generar un riesgo de incendio al usarse con otro cartucho de la batería.

3. Use una fuente de alimentación con el voltaje que se especifica en la placa del fabricante del cargador.
4. No intente usar un transformador que intensifique el funcionamiento del transformador, así como un generador motor o un receptáculo de corriente directa (DC).
5. Recargue el cartucho de batería a temperatura ambiente a 10°C - 40°C (50°F - 104°F). Deje que un cartucho de batería caliente se enfríe antes de recargarlo.
6. Cuando no se esté usando el cartucho de la batería, manténgalo alejado de otros objetos metálicos, como sujetapapeles (clips), monedas, llaves, clavos, tornillos u otros objetos pequeños de metal, los cuales pueden actuar creando una conexión entre las terminales de la batería. Si ocasiona un cortocircuito uniendo los terminales de la batería puede provocar, chispas, quemaduras o un incendio.
7. Después de recargar o antes de intentar realizar cualquier labor de mantenimiento o limpieza, desenchufe el cargador de la fuente de alimentación.



8. No toque el interior de la cabeza de la linterna con pinzas, herramientas de metal, etc.
9. En condiciones abusivas, podrá escapar líquido de la batería, evite tocarlo. Si lo toca accidentalmente, enjuague con agua. Si hay contacto del líquido con los ojos, acuda por atención médica. Puede que el líquido expulsado de la batería cause irritación o quemaduras.
10. No cierre el circuito entre los terminales del cartucho de batería:
  - (1) No toque los terminales con ningún material conductor.
  - (2) Evite guardar el cartucho de batería en algún cajón junto con cualquier otro objeto metálico, como clavos, monedas, etc.
  - (3) No exponga el cartucho de batería a la lluvia ni a la nieve.

Un cortocircuito puede provocar un elevado flujo de corriente, sobrecalentamiento, posibles quemaduras e incluso una avería.

11. En caso de que ingresen electrolitos en sus ojos, enjuáguelos bien con agua limpia y consulte de inmediato a un médico. Esto podría ocasionar la pérdida de la visión.
12. Tenga cuidado de no dejar caer ni golpear el cartucho de batería.
13. Nunca incinere el cartucho de batería incluso en el caso de que esté dañado seriamente o ya no sirva en lo absoluto. El cartucho de batería puede explotar si se arroja al fuego.

#### **⚠ PRECAUCIÓN:**

1. Cuando no utilice la herramienta, siempre apáguela y extraiga el cartucho de la batería.
2. No guarde la herramienta ni el cartucho de la batería en lugares donde la temperatura pueda alcanzar o exceder los 50°C (122°F).
3. Evite los impactos a la herramienta por dejarla caer, golpeándola, etc.
4. No exponga la luz de manera continua a los ojos. Esto podría lastimarlos.
5. No cubra ni obstruya la herramienta encendida con trapos, cartones, etc. Cubrirla u obstruirla puede encender en fuego.
6. No desarme el cargador ni el cartucho de la batería; acuda a un técnico de servicio calificado cuando se requiera de servicio o reparación. Un ensamblado incorrecto podría resultar en riesgo de descarga eléctrica o incendio.
7. Use las herramientas sólo con sus cartuchos de batería específicamente designados. El uso de cualquier otro cartucho de la batería puede generar riesgo de lesión e incendio.
8. Si el tiempo de uso del cartucho de batería se acorta demasiado, deje de usarlo inmediatamente. Podría resultar en un riesgo de sobrecalentamiento, posibles quemaduras e incluso una explosión.
9. No use con una batería dañada.
10. Recargue el cartucho de batería antes de que se descargue por completo. Siempre detenga la operación de la herramienta y recargue el cartucho de batería cuando note menor potencia en la herramienta.

11. Nunca recargue un cartucho de batería que esté completamente recargado. El sobrecargar acorta la vida útil de la batería.
12. Si surge cualquier problema, acuda a su Centro de Servicio o Distribuidor Makita. Para mantener la seguridad y fiabilidad del producto, la reparación, el mantenimiento o el ajuste deben llevarse a cabo por un centro de servicio autorizado por Makita.
13. Recargue el cartucho de batería una vez cada seis meses si no se va a usar por un periodo extenso.

## **CONSERVE ESTAS INSTRUCCIONES.**

### **DESCRIPCIÓN OPERATIVA**

#### **Instalación o desinstalación del cartucho de batería (Fig. 1)**

##### **⚠ PRECAUCIÓN:**

- Apague siempre la herramienta antes de colocar o quitar el cartucho de batería.
- **Sujete la herramienta y el cartucho de batería con firmeza al colocar o extraer el cartucho.** No seguir esta indicación puede que resulte en que el cartucho resbale de sus manos y se dañe la herramienta y la batería, así como ocasionar lesiones personales.

Para quitar el cartucho de batería, deslícelo de la herramienta mientras desliza el botón sobre la parte delantera del cartucho.

Para colocar el cartucho de batería, alinee la lengüeta sobre el cartucho de batería con la ranura en la carcasa y deslice en su lugar. Inserte por completo hasta que se fije en su lugar con un pequeño clic. Si puede ver el indicador rojo del lado superior del botón, esto indica que no ha quedado fijo por completo.

##### **⚠ PRECAUCIÓN:**

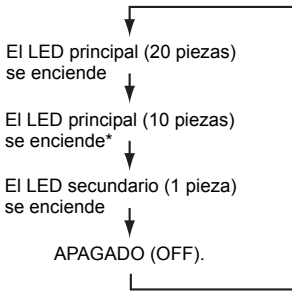
- Introduzca siempre completamente el cartucho de batería hasta que el indicador rojo no pueda verse. Si no, podría accidentalmente salirse de la herramienta y caer al suelo causando una lesión a usted o alguien a su alrededor.
- No instale el cartucho de batería a la fuerza. Si el cartucho no se desliza al interior fácilmente, se debe a que no está siendo insertado correctamente.

#### **Operaciones del interruptor (Fig. 2)**

##### **⚠ PRECAUCIÓN:**

- No mire a la luz LED ni vea la fuente de luz directamente.

Presione el interruptor, como se muestra más adelante, para cambiar el modo.



\* Las luces LED que se encienden son las dos filas del lado del interruptor.

### **Gancho de metal (Fig. 3)**

Antes de usarlo, gire verticalmente el gancho de metal sobre su eje.

El gancho se puede girar en 360° y se puede retirar.

## **MANTENIMIENTO**

Para mantener la seguridad y fiabilidad del producto, la reparación y el mantenimiento deben llevarse a cabo por un centro de servicio autorizado por Makita.

### **⚠ PRECAUCIÓN:**

- Nunca use gasolina, bencina, diluyentes (tíner), alcohol o alguna sustancia similar. El uso de estas sustancias podría generar decoloraciones, deformaciones o grietas.

## **ACCESORIOS OPCIONALES**

### **⚠ PRECAUCIÓN:**

Estos accesorios o acoplamientos están recomendados para utilizarse con la unidad Makita especificada en este manual. El empleo de cualquier otro accesorio o aditamento puede conllevar el riesgo de lesiones personales. Los accesorios o aditamentos deben solamente ser utilizados para el propósito con el que fueron hechos.

- Correa para hombro
- Batería y cargador originales de Makita

### **NOTA:**

- Algunos de los artículos mencionados en este manual pueden ser incluidos o no junto con el paquete de la herramienta. Puede que estos accesorios varíen de país a país.



**Makita Corporation**  
3-11-8, Sumiyoshi-cho,  
Anjo, Aichi 446-8502 Japan

DML806-NA3-1214

[www.makita.com](http://www.makita.com)

ALA



**DC18RA**  
**DC18RC**

# Fast Charger

## Chargeur rapide

## Cargador rápido

### Symbols

The followings show the symbols used for the charger and battery. Be sure that you understand their meaning before use.

### Symboles

Nous donnons ci-dessous les symboles utilisés pour le chargeur et la batterie. Assurez-vous que vous en avez bien compris la signification avant d'utiliser l'outil.

### Símbolos

A continuación se muestran los símbolos utilizados con el cargador y la batería. Asegúrese de que entienda su significado antes de usarla.



- Ready to charge
- Prêt à recharger
- Preparación para la carga



- Charging
- En charge
- Cargando



- Charging complete
- Recharge terminée
- Completada la carga



- Delay charge (Battery cooling or too cold battery)
- Charge différée (Batterie en cours de refroidissement ou batterie trop froide)
- Retraso de la carga (La batería se está enfriando o está muy fría)



- Defective battery
- Batterie défectueuse
- Batería defectuosa



- Conditioning
- Recharge normale
- Acondicionamiento



- Cooling abnormality
- Problème de refroidissement
- Anormalidad en la carga



- Do not short batteries.
- Ne jamais court-circuiter les bornes d'une batterie.
- No provoca un cortocircuito en las baterías.

**IMPORTANT:** Read Before Using.

**IMPORTANT :** Lire ce qui suit avant d'utiliser cet outil.

**IMPORTANTE:** Leer antes de usar.

Specifications

Model	DC18RA	DC18RC
Input	A.C. 120 V 50 – 60 HZ	
Output	D.C. 7.2 V – 18 V	
Weight	0.88 kg (1.94 lbs)	0.77 kg (1.70 lbs)

- Manufacturer reserves the right to change specifications without notice.
- Note: Specifications may differ from country to country.
- Weight according to EPTA-Procedure 01/2003.

# IMPORTANT SAFETY INSTRUCTIONS

CAUTION:

1. **SAVE THESE INSTRUCTIONS** — This manual contains important safety and operating instructions for battery charger.
2. Before using battery charger, read all instructions and cautionary markings on (1) battery charger, (2) battery, and (3) product using battery.
3. **CAUTION** — To reduce risk of injury, charge only MAKITA rechargeable batteries marked on the charger label. Other types of batteries may burst causing personal injury and damage.
4. Non-rechargeable batteries cannot be charged with this battery charger.
5. Use a power source with the voltage specified on the nameplate of the charger.
6. Do not charge the battery cartridge in presence of flammable liquids or gases.
7. Do not expose charger to rain or snow.
8. Never carry charger by cord or yank it to disconnect from receptacle.
9. After charging or before attempting any maintenance or cleaning, unplug the charger from the power source. Pull by plug rather than cord whenever disconnecting charger.
10. Make sure cord is located so that it will not be stepped on, tripped over, or otherwise subjected to damage or stress.
11. Do not operate charger with damaged cord or plug. If the cord or plug is damaged, ask Makita authorized service center to replace it in order to avoid a hazard.
12. Do not operate or disassemble charger if it has received a sharp blow, been dropped, or otherwise damaged in any way; take it to a qualified serviceman. Incorrect use or reassembly may result in a risk of electric shock or fire.
13. The battery charger is not intended for use by young children or infirm persons without supervision.
14. Young children should be supervised to ensure that they do not play with the battery charger.
15. Do not charge battery cartridge when room temperature is BELOW 10°C (50°F) or ABOVE 40°C (104°F). When the battery temperature is under 0°C (32°F), charging may not start.
16. Do not attempt to use a step-up transformer, an engine generator or DC power receptacle.
17. Do not allow anything to cover or clog the charger vents.

**Charging**

1. Plug the battery charger into the proper AC voltage source. Charging light will flash in green color repeatedly.
2. Insert the battery cartridge into charger until it stops adjusting to the guide of charger. Terminal cover of charger can be opened with inserting and closed with pulling out the battery cartridge.
3. When the battery cartridge is inserted, the red charging light will light up and charging will begin with a preset brief melody sound coming out for assurance as to which sound will come out to notify the completion of charging.
4. With finish of charge, the charging light will change from red one to green one and the melody sound or buzzer sound (a long beep) comes out to notify completion of charge.
5. Charging time varies by temperature (10°C (50°F) – 40°C (104°F)) that battery cartridge is charged at and conditions of the battery cartridge, such as a battery cartridge which is new or has not been used for a long period of time.
6. After charging, remove the battery cartridge from charger and unplug the charger.

**Changing melody of completed charging**

1. Inserting the battery cartridge into charger brings out last preset brief melody sound of completed charging.
2. Removing and re-inserting it within five seconds after this action makes the melody sound change.
3. Every time removing and re-inserting it within another five seconds after this, the melody sound changes in order.
4. When the desired melody sound comes out, leave the battery cartridge being inserted and the charge will begin. When a “short beep” mode is selected, no completed charging signals comes out. (Silent Mode)

5. With finish of charge, the green light remains lit with the red light going out and the melody sound preset at the insertion of battery cartridge or buzzer sound (a long beep) comes out to notify completion of charge. (In selected silent mode, no sounds come out.)
6. Preset melody sound remains stored even when the charger is unplugged.

**NOTE:**

- The battery charger is for charging Makita-battery cartridge. Never use it for other purposes or for other manufacturer's batteries.
- When you charge a battery cartridge which is new or has not been used for a long period of time, it may not accept a full charge until after discharging it completely and recharging a couple of times. (Ni-MH battery only)
- If charging light may flash in red color, battery condition is as below and charging may not start.
  - Battery cartridge from just-operated tool or battery cartridge that has been left in a location exposed to direct sunlight for a long time.
  - Battery cartridge that has been left for a long time in a location exposed to cold air.
- When the battery cartridge is too hot, charging will begin after the cooling fan installed in the charger cools the battery cartridge. Charging will begin after the battery cartridge temperature reaches the degree at which charging is possible. When the temperature on battery is more than approx. 70°C, two charging lights may flash in red color, and when approx. 50°C – 70°C, one charging light in red color.
- If the charging light flashes alternately in green and red color, charging is not possible. The terminals on the charger or battery cartridge are clogged with dust or the battery cartridge is worn out or damaged.

**Cooling system**

- This charger is equipped with cooling fan for heated battery in order to enable the battery to prove its own performance. Sound of cooling air comes out during cooling, which means no trouble on the charger.
  - Yellow light will flash for warning in the following cases.
    - Trouble on cooling fan
    - Incomplete cool down of battery, such as, being clogged with dust
- The battery can be charged in spite of the yellow warning light. But the charging time will be longer than usual in this case.
- Check the sound of cooling fan, vent on the charger, which can be sometime clogged with dust.
- The cooling system is in order although no sound of cooling fan comes out, if the yellow warning light will not flash.
  - Always keep clean the vent on charger and battery for cooling.
  - The products should be sent to repair or maintenance, if the yellow warning light will frequently flash.

**Conditioning charge**

Conditioning charge can extend the life of battery by automatically searching the optimum charging condition for the batteries in every situation.

The battery employed in the following conditions repeatedly requires "conditioning charge" to prevent fast wear out. In that case, yellow light lights up.

1. Recharge of battery with its high temperature
2. Recharge of battery with its low temperature
3. Recharge of full charged battery
4. Over-discharge of battery (continue to discharge battery in spite of down of power.)

The charging time of such battery is longer than usual.

Voltage	9.6 V	12 V	14.4 V	Capacity (Ah)	Charging time (Minutes)
Number of cells	8	10	12		
Ni-MH Battery cartridge	—	—	—	1.7	20
	BH9020A	—	—	2.0	20
	—	BH1220/C	BH1420	2.0	15
	—	—	—	2.7	20
	BH9033A	—	—	3.3	30
—	BH1233/C	BH1433	3.3	22	

Voltage	14.4 V	18 V	14.4 V	18 V	Charging time (Minutes)
Number of cells	4	5	8	10	
Li-ion Battery cartridge	BL1415	BL1815	—	—	15
	—	—	BL1430	BL1830	22

**Note:**

- It may take twice the above charging time to the maximum because of the optimal charging selected according to the temperature (10°C (50°F) – 40°C (104°F)), conditions of battery cartridge and maintenance charge.



## Spécifications

Modèle	DC18RA	DC18RC
Entrée	C.A. 120 V 50 – 60 Hz	
Sortie	C.C. 7,2 V – 18 V	
Poids	0,88 kg (1,94 lbs)	0,77 kg (1,70 lbs)

- Le fabricant se réserve le droit de modifier sans avertissement les spécifications.
- Remarque : Les spécifications peuvent varier selon les pays.
- Poids selon la procédure EPTA 01/2003.

# LES CONSIGNES DE SECURITE IMPORTANTES

## ATTENTION :

- CONSERVEZ CES INSTRUCTIONS** — Ce manuel renferme des consignes de sécurité et d'utilisation importantes pour le chargeur de batterie.
- Avant d'utiliser le chargeur de batterie, lisez toutes les étiquettes d'instruction et de précaution apposées sur (1) le chargeur de batterie, sur (2) la batterie et sur (3) le produit utilisant la batterie.
- ATTENTION** — Pour réduire le risque de blessure, ne chargez que les batteries rechargeables MAKITA qui figurent sur l'étiquette du chargeur. Les autres types de batteries peuvent causer des blessures et entraîner des dommages en explosant.
- Il n'est pas possible de charger des batteries de type non rechargeable avec ce chargeur.
- Utilisez une source d'alimentation dont la tension correspond à celle spécifiée sur la plaque signalétique du chargeur.
- Ne chargez pas la cartouche de batterie en présence de liquides ou gaz inflammables.
- N'exposez pas le chargeur à la pluie ou à la neige.
- Évitez de transporter le chargeur en le tenant par son cordon d'alimentation, et de tirer directement sur le cordon pour le débrancher.
- Avant de charger la batterie ou d'y effectuer tout travail d'entretien ou de nettoyage, débranchez le chargeur de sa source d'alimentation. Pour débrancher le chargeur, tirez toujours le cordon par sa fiche, non par le cordon lui-même.
- Assurez-vous que le câble n'est pas placé de façon à être piétiné, à faire trébucher quelqu'un ou à subir quelque dommage ou tension que ce soit.
- N'utilisez pas le chargeur avec un cordon ou une fiche endommagé. Si le cordon ou la fiche est endommagé, faites-le remplacer dans un centre de service agréé Makita pour éviter tout danger.
- Évitez d'utiliser ou démonter le chargeur après qu'il ait reçu un choc violent, ait été échappé ou ait subi quelque dommage que ce soit. Portez-le chez un réparateur qualifié. Une utilisation ou un remontage maladroit peut entraîner un risque de choc électrique ou d'incendie.
- Ce chargeur ne doit pas être utilisé sans supervision par les jeunes enfants et par les personnes handicapées.
- Les jeunes enfants doivent être surveillés pour s'assurer qu'ils ne jouent pas avec le chargeur.
- Ne chargez pas la batterie lorsque la température de la pièce est INFÉRIEURE à 10 °C ou SUPÉRIEURE à 40 °C. Il se peut que la charge ne commence pas lorsque la température de la batterie est inférieure à 0 °C.
- N'utilisez pas d'un transformateur élévateur, un groupe électrogène ou une prise de courant continu.
- Ne laissez rien recouvrir ou boucher les ouvertures du chargeur.

## Charge

- Branchez le chargeur sur une source d'alimentation secteur dont la tension est adéquate. Le témoin de charge clignote en vert de manière répétée.
- Insérer la batterie dans le chargeur jusqu'à ce qu'elle s'arrête, ajustée sur le guide du chargeur. Le couvre-bornes du chargeur peut être ouvert en insérant la batterie, et fermé en la retirant.
- Lorsque vous insérez la batterie, le témoin de charge rouge s'allume et la charge commence ; une courte mélodie pré-réglée est alors émise pour vous indiquer quel sera le son émis pour vous informer de l'achèvement de la charge.
- Lorsque la charge est terminée, le témoin de charge passe du rouge au vert et une mélodie ou une sonnerie (un long bip) est émise pour vous informer de l'achèvement de la charge.
- Le temps de charge varie suivant la température environnante (10°C (50°F) – 40°C (104°F)) à laquelle s'effectue la charge de la batterie, et suivant l'état de la batterie, comme par exemple si elle est neuve ou si elle est restée inutilisée pendant longtemps.
- Après de la charge, retirez la batterie et débranchez le chargeur.

## Changer la mélodie de charge terminée

1. Lorsque vous insérez la batterie dans le chargeur, le chargeur émet la dernière courte mélodie préétablie d'indication de charge terminée.
2. Si vous retirez et réinsérez la batterie dans les cinq secondes qui suivent cette action, la mélodie changera.
3. Chaque fois que vous retirez et réinsérez la batterie dans les cinq secondes par la suite, la mélodie change dans l'ordre préétabli.
4. Lorsque la mélodie désirée est émise, laissez la batterie insérée et la charge commencera. Si vous sélectionnez le mode "court bip", aucun signal de charge terminée ne sera émis. (Mode silencieux)
5. Lorsque la charge est terminée, le témoin de charge vert demeure allumé et le témoin rouge s'éteint, et la mélodie ou la sonnerie (un long bip) préétablie au moment de l'insertion de la batterie est émise pour vous informer de l'achèvement de la charge. (Si le mode silencieux est sélectionné, aucun son n'est émis.)
6. La mélodie préétablie demeure en mémoire même lorsque vous débranchez le chargeur.

### NOTE :

- Le chargeur de batterie est conçu pour les batteries Makita. Ne jamais l'utiliser à d'autres fins ou avec les batteries d'autres fabricants.
- Lorsque vous chargez une cartouche de batterie neuve ou restée inutilisée pendant une période prolongée, il se peut que vous deviez la recharger et la décharger à quelques reprises avant qu'elle n'accepte une charge complète. (Batterie au Ni-MH seulement)
- Si le témoin de charge clignote en rouge, l'état de la batterie est tel qu'indiqué ci-dessous et il se peut que la charge ne commence pas.
  - Cartouche de batterie d'un outil qui vient tout juste d'être utilisé, ou cartouche de batterie qui a été laissée longtemps dans un endroit exposé directement aux rayons du soleil.
  - Cartouche de batterie qui a été laissée longtemps dans un endroit exposé à de l'air froid.Lorsque la batterie est trop chaude, la charge ne commence qu'une fois la batterie refroidie par le ventilateur de refroidissement du chargeur. La charge commencera lorsque la température de la cartouche de batterie aura atteint le degré pour lequel la charge est possible. Lorsque la température de la batterie est supérieure à environ 70°C, deux témoins de charge peuvent clignoter en rouge, tandis qu'à une température d'environ 50°C à 70°C, un seul témoin clignote en rouge.
- Si le témoin de charge clignote alternativement en vert et en rouge, la charge n'est pas possible. Les bornes du chargeur ou de la batterie sont alors bloquées par la poussière, ou bien la batterie est soit usée, soit endommagée.

## Système de refroidissement

- Ce chargeur est doté d'un ventilateur de refroidissement pour batterie chaude afin de permettre à la batterie de fournir son plein rendement. Un son de refroidissement d'air s'échappe pendant le refroidissement, ce qui signifie que le chargeur fonctionne correctement.
- Un témoin jaune d'avertissement clignote dans les cas suivants.
  - Problème de ventilateur de refroidissement.
  - Refroidissement insuffisant de la batterie, causé par une accumulation de poussière, etc.La batterie peut être chargée même si le témoin jaune d'avertissement est allumé. Mais dans ce cas, le temps de charge sera plus long que d'ordinaire. Vérifier le son du ventilateur de refroidissement, ainsi que les événements du chargeur, où s'accumule parfois de la poussière.
- Le système de refroidissement fonctionne normalement si le témoin jaune d'avertissement ne clignote pas, et ce même si aucun son ne provient du ventilateur de refroidissement.
- Toujours garder les événements du chargeur et de la batterie propres pour permettre le refroidissement.
- Si le témoin jaune d'avertissement clignote souvent, les produits devraient être envoyés pour réparation ou entretien.

## Charge de remise en condition

La charge de remise en condition peut faire augmenter la durée de vie de la batterie en effectuant automatiquement une recherche du niveau de charge optimale des batteries dans toute situation.

Une batterie utilisée à plusieurs reprises dans les conditions suivantes nécessitera une "charge de remise en condition" pour éviter qu'elle ne s'use rapidement. Dans ce cas, le témoin jaune s'allume.

1. Recharge de la batterie alors qu'elle est très chaude.
2. Recharge de la batterie alors qu'elle est très froide.
3. Recharge d'une batterie déjà complètement chargée.
4. Décharge excessive de la batterie (continuer de décharger la batterie malgré l'absence d'alimentation).

Le temps de charge est alors plus long que d'ordinaire.

Tension	9,6 V	12 V	14,4 V	Capacité (Ah)	Temps de charge (en minutes)
Nombre de cellules	8	10	12		
Cartouche de batterie au Ni-MH	—	—	—	1,7	20
	BH9020A	—	—	2,0	20
	—	BH1220/C	BH1420	2,0	15
	—	—	—	2,7	20
	BH9033A	—	—	3,3	30
	—	BH1233/C	BH1433	3,3	22

Tension	14,4 V	18 V	14,4 V	18 V	Temps de charge (en minutes)
Nombre de cellules	4	5	8	10	
Cartouche de batterie au Li-ion	BL1415	BL1815	—	—	15
	—	—	BL1430	BL1830	22

Note :

- La charge complète peut prendre jusqu'à deux fois plus de temps que le temps indiqué ci-dessus, en raison de la température (10°C (50°F) – 40°C (104°F)), de l'état de la batterie ou de la charge d'entretien.

## Especificaciones

Modelo	DC18RA	DC18RC
Entrada	120 V ~ 50 – 60 Hz	
Salida	7,2 V cc – 18 V cc	
Peso	0,88 kg (1,94 lbs)	0,77 kg (1,70 lbs)

- El fabricante se reserva el derecho a cambiar las especificaciones sin aviso.
- Nota: Las especificaciones podrán cambiar de un país a otro.
- Peso de acuerdo con el procedimiento EPTA 01/2003.

# INSTRUCCIONES DE SEGURIDAD IMPORTANTES

## PRECAUCION:

- 1. GUARDE ESTAS INSTRUCCIONES** — Este manual contiene instrucciones de seguridad y de funcionamiento importantes para el cargador de baterías.
- Antes de utilizar el cargador de baterías, lea todas las instrucciones e indicaciones de precaución sobre (1) el cargador de baterías, (2) la batería, y (3) el producto con el que se utilice la batería.
- PRECAUCION** — Para reducir el riesgo de sufrir heridas, cargue solamente las baterías recargables MAKITA marcadas en la etiqueta de cargador. Otros tipos de baterías podrán explotar y ocasionar heridas personales y daños.
- Con este cargador de baterías no se pueden cargar baterías no recargables.
- Utilice una fuente de alimentación cuya tensión sea igual a la especificada en la placa de características del cargador.
- No cargue el cartucho de batería en presencia de líquidos o gases inflamables.
- No exponga el cargador a la lluvia ni a la nieve.
- No coja nunca el cargador por el cable ni tire del cable para desconectarlo de la toma de corriente.
- Después de la carga o antes de intentar cualquier mantenimiento o limpieza, desconecte el cargador de la toma de corriente. Tire de la clavija y no del cable siempre que quiera desconectar el cargador.
- Asegúrese de que el cable quede tendido de forma que no lo pueda pisar, tropezar con él, ni que esté sometido a daños o desgaste de ningún tipo.
- No utilice el cargador si su cable o clavija están dañados. Si el cable o la clavija están dañados, pida a un centro de servicio autorizado de Makita que los reemplace para evitar riesgos.
- No utilice ni desarme el cargador si este ha recibido un fuerte golpe, lo ha dejado caer, o si se ha dañado de cualquier otra forma; llévelo a un técnico cualificado para que se lo arregle. Una utilización o montaje de sus piezas incorrecto podrá acarrear un riesgo de descarga eléctrica o incendio.
- El cargador de baterías no ha sido pensado para ser utilizado por niños pequeños ni personas frágiles sin supervisión.
- Los niños pequeños deberán ser supervisados para asegurarse de que no juegan con el cargador de baterías.
- No cargue el cartucho de batería cuando la temperatura esté por DEBAJO de los 10°C o por ENCIMA de los 40°C. Cuando la temperatura esté por debajo de los 0°C, es posible que la carga no se inicie.
- No intente utilizar un transformador elevador de tensión, un generador a motor ni una toma de corriente de corriente continua.
- No permita que cosa alguna tape u obstruya los orificios de ventilación del cargador.

## Carga

- Conecte el cargador de baterías en una toma de corriente de la tensión de CA apropiada. La luz de carga parpadeará en color verde repetidamente.
- Inserte el cartucho de batería en el cargador hasta que haga tope ajustándose a la guía del cargador. La tapa del terminal del cargador se abre al insertar el cartucho de batería y se cierra al sacarlo.
- Cuando se inserte el cartucho de batería, se encenderá la luz de carga roja y comenzará la carga con un sonido de melodía breve programado emitido como aseguramiento del sonido que se emitirá para notificar la terminación de la carga.
- Con la terminación de la carga, la luz de carga cambiará de rojo a verde una vez y se emitirá el sonido de melodía o sonido de zumbador (un pitido largo) para notificar la terminación de la carga.
- El tiempo de carga varía en función de la temperatura (10°C (50°F) – 40°C (104°F)) a la que se carga el cartucho de batería y las condiciones del cartucho de batería, tal como si es un cartucho de batería nuevo o no ha sido utilizado durante un periodo de tiempo largo.
- Después de cargar, extraiga el cartucho de batería del cargador y desconecte el cargador.

## Cambio de la melodía de carga terminada

1. Al insertar el cartucho de batería en el cargador se emite el último sonido de melodía breve programado.
2. El sonido de melodía puede cambiarse extrayendo y reinsertando antes de cinco segundos el cartucho de batería.
3. Cada vez que se extraiga y reinserte antes de otros cinco segundos, el sonido de melodía cambiará en orden.
4. Cuando se emita el sonido de melodía deseado, deje el cartucho de batería insertado y comenzará la carga. Cuando se seleccione el modo "pitido corto", no se emitirán señales de carga terminada. (Modo silencio)
5. Con la terminación de la carga, la luz verde permanece encendida, la luz roja se apaga y se emite el sonido de melodía programado al insertar el cartucho de batería o sonido de zumbador (un pitido largo) para notificar la terminación de la carga. (Si se ha seleccionado el modo silencio, no se emitirán sonidos.)
6. El sonido de melodía permanecerá almacenado aunque desenchufe el cargador.

## NOTAS:

- El cargador de baterías es sólo para cargar cartuchos de batería Makita. No lo utilice nunca con otros fines ni para baterías de otros fabricantes.
  - Cuando cargue un cartucho de batería que sea nuevo o que no haya sido utilizado durante un largo periodo de tiempo, es posible que no acepte una carga completa hasta después de haberlo descargado completamente y vuelto a cargar unas cuantas veces. (Batería Ni-MH solamente)
  - Si la luz de carga parpadea en color rojo, la condición de la batería será como se indica abajo y es posible que la carga no se inicie.
    - Cartucho de batería de una herramienta recién utilizada o un cartucho de batería que ha sido dejado en un sitio expuesto a la luz directa del sol durante largo tiempo.
    - Cartucho de batería que ha sido dejado durante largo tiempo en un sitio expuesto a aire frío.
- Cuando el cartucho de batería esté muy caliente, la carga comenzará después de que el ventilador de enfriamiento instalado en el cargador enfríe el cartucho de batería. La carga comenzará después de que la temperatura del cartucho de batería alcance el grado al cual es posible cargar. Si la temperatura de la batería es de más de aproximadamente 70°C, podrán parpadear dos luces de carga en color rojo, y si es de aproximadamente 50°C – 70°C, podrá parpadear una luz de carga en rojo.
- Si la luz de carga parpadea alternativamente en color verde y rojo, la batería no se podrá cargar. Los terminales del cargador o de la batería estarán obstruidos con polvo o el cartucho de batería estropeado o dañado.

## Sistema de enfriamiento

- Este cargador está equipado con un ventilador de enfriamiento para evitar el sobrecalentamiento de la batería, y así poder sacarle a ésta el máximo rendimiento. Durante el enfriamiento se oye el sonido del ventilador, lo que significa que no hay ningún problema en el cargador.
  - En los siguientes casos parpadeará una luz amarilla de aviso.
    - Problema en el ventilador de enfriamiento
    - Batería no enfriada completamente, tal como, en el caso de que esté obstruida con polvo
- La batería se puede cargar aunque esté parpadeando la luz amarilla. Pero en este caso tardará más tiempo en cargarse.
- Verifique el sonido del ventilador de enfriamiento, el orificio de ventilación de la batería, porque algunas veces podrán estar obstruidos con polvo.
- Si la luz amarilla de aviso no parpadea, el sistema de enfriamiento estará bien aunque no se escuche el sonido del ventilador de enfriamiento.
  - Mantenga siempre limpios los orificios de ventilación del cargador y la batería.
  - Si la luz amarilla de aviso parpadea con frecuencia, el cargador deberá ser enviado a que lo reparen o le hagan el mantenimiento.

## Carga de acondicionamiento

La carga de acondicionamiento puede alargar la vida útil de la batería buscando automáticamente la condición óptima para la carga de la batería en cualquier situación.

La batería empleada en las siguientes condiciones repetidamente requerirá una "carga de acondicionamiento" para evitar que su vida de servicio no se acorte rápidamente. En ese caso, se encenderá la luz amarilla.

1. Si la carga estando caliente.
2. Si la carga estando fría.
3. Si la recarga estando completamente cargada.
4. Si la descarga demasiado (si continúa utilizándola a pesar de tener poca potencia.)

El tiempo de carga de tal batería será más largo del normal.

Tensión	9,6 V cc	12 V cc	14,4 V cc	Capacidad (Ah)	Tiempo de carga (minutos)
Número de celdas	8	10	12		
Cartucho de batería Ni-MH	—	—	—	1,7 Ah	20 min
	BH9020A	—	—	2,0 Ah	20 min
	—	BH1220/C	BH1420	2,0 Ah	15 min
	—	—	—	2,7 Ah	20 min
	BH9033A	—	—	3,3 Ah	30 min
	—	BH1233/C	BH1433	3,3 Ah	22 min

Tensión	14,4 V cc	18 V cc	14,4 V cc	18 V cc	Tiempo de carga (minutos)
Número de celdas	4	5	8	10	
Cartucho de batería Li-ion	BL1415	BL1815	—	—	15 min
	—	—	BL1430	BL1830	22 min

**Nota:**

- Es posible que el tiempo de carga sea el doble que el indicado arriba como máximo debido a que la carga óptima se selecciona en función de la temperatura (10°C (50°F) – 40°C (104°F)), las condiciones del cartucho de batería y la carga de mantenimiento.



**Makita Corporation**  
3-11-8, Sumiyoshi-cho,  
Anjo, Aichi 446-8502 Japan

884676H946

IDE

[www.makita.com](http://www.makita.com)