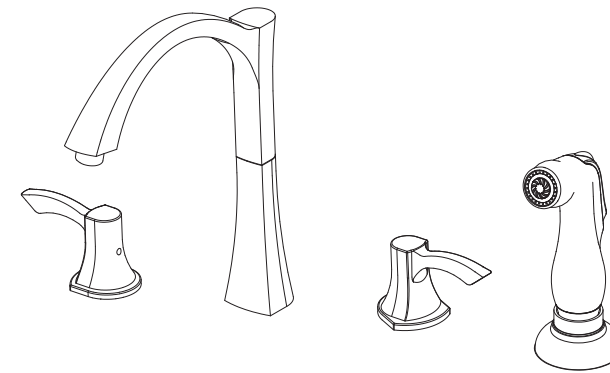


NO.	PART NAME
1	Diverter assembly
2	Flexible hose
3	Clamp spring
4	Quick connect assembly
5	Sprayer
6	Handle
7	Adapter
8	Handle flange
9	O-ring
10	Water valve assembly
11	Gasket assembly
12	Lock nut
13	Screw
14	Clamp spring
15	Washer
16	Screw
17	Index
18	Spout
19	Screw
20	Ring
21	O-ring
22	Wearing ring
23	Connector
24	O-ring
25	Body
26	O-ring
27	Shank
28	Wearing ring
29	Aerator washer
30	Aerator core
31	Aerator collar

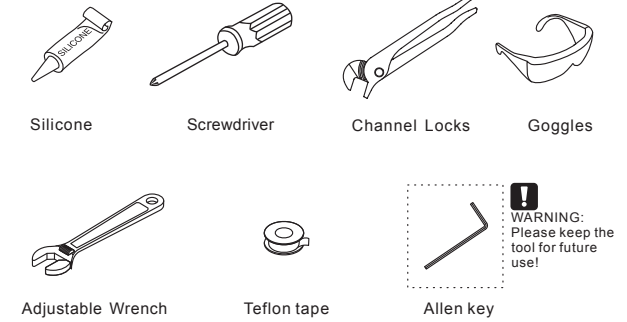


### TWO HANDLE KITCHEN FAUCET WITH SIDE SPRAYER



ASME A112.18.1/CSA B125.1

#### RECOMMENDED TOOLS



**Attention:**  
for easy installation, you will need:  
1. To read all the installation instruction completely before beginning.  
2. To read all the warning, attention and maintenance information.  
3. To purchase the proper supply lines.

The tools might be applied to the following places:

