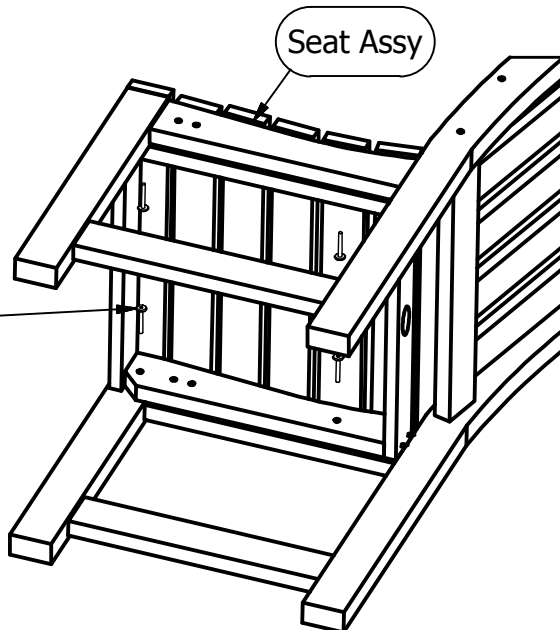
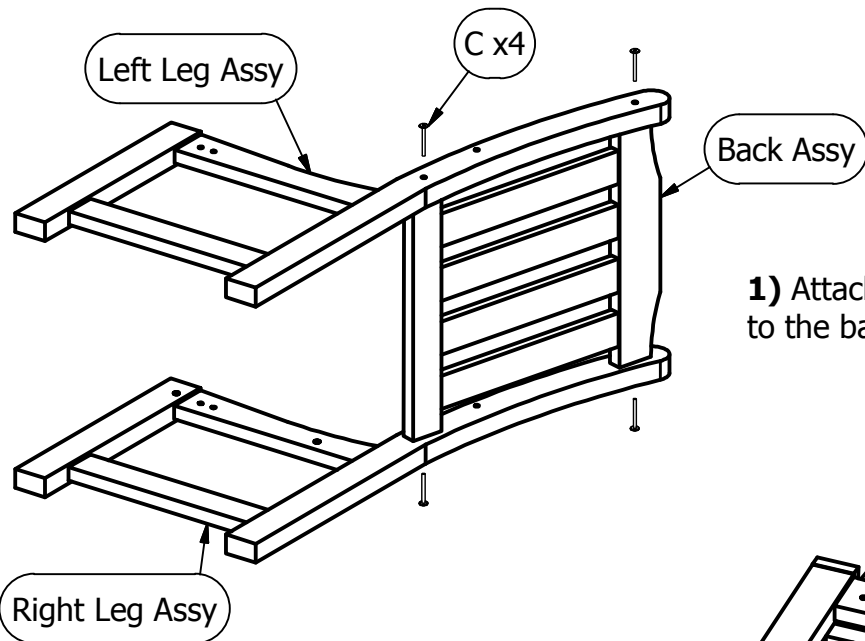
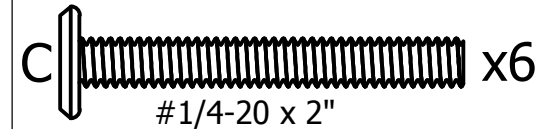
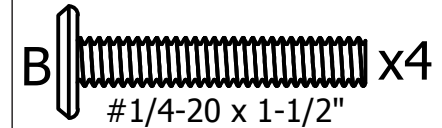
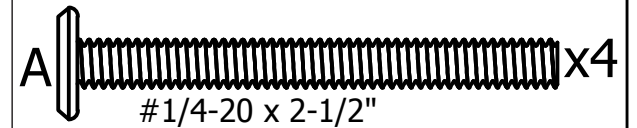


Lehigh Collection Dining Chair with Arms

Assembly Guide



HARDWARE

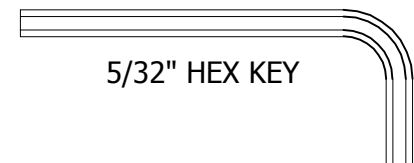


IMPORTANT!

DO NOT fully tighten the bolts until all bolts are started. Once all bolts are inserted, go back & tighten all the bolts.

Retain these instructions for future reference

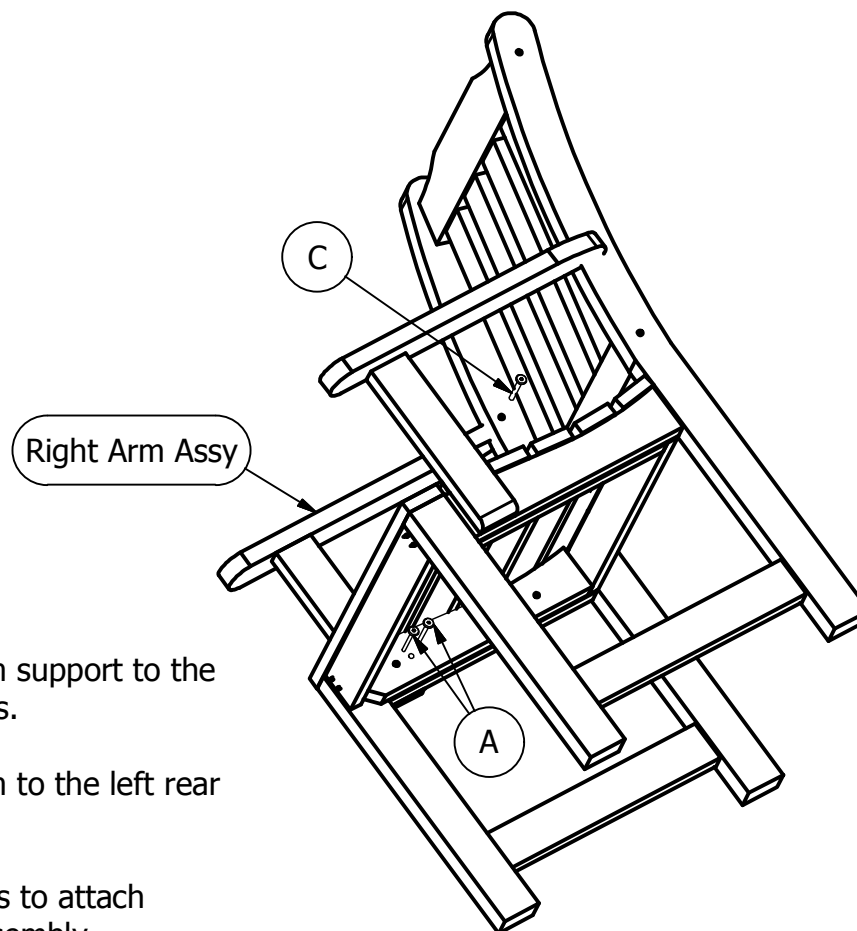
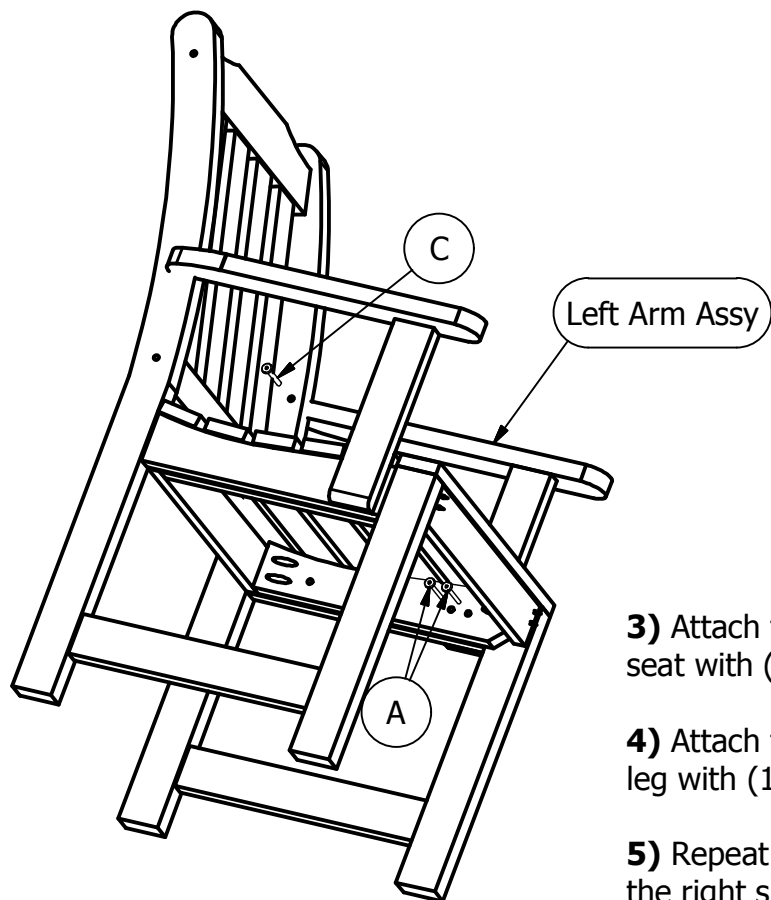
INCLUDED TOOLS



Lehigh Collection

Dining Chair with Arms

Assembly Guide



- 3)** Attach the left arm support to the seat with (2) "A" bolts.
- 4)** Attach the left arm to the left rear leg with (1) "C" bolt.
- 5)** Repeat these steps to attach the right side arm assembly.
- 6)** Tighten all bolts.