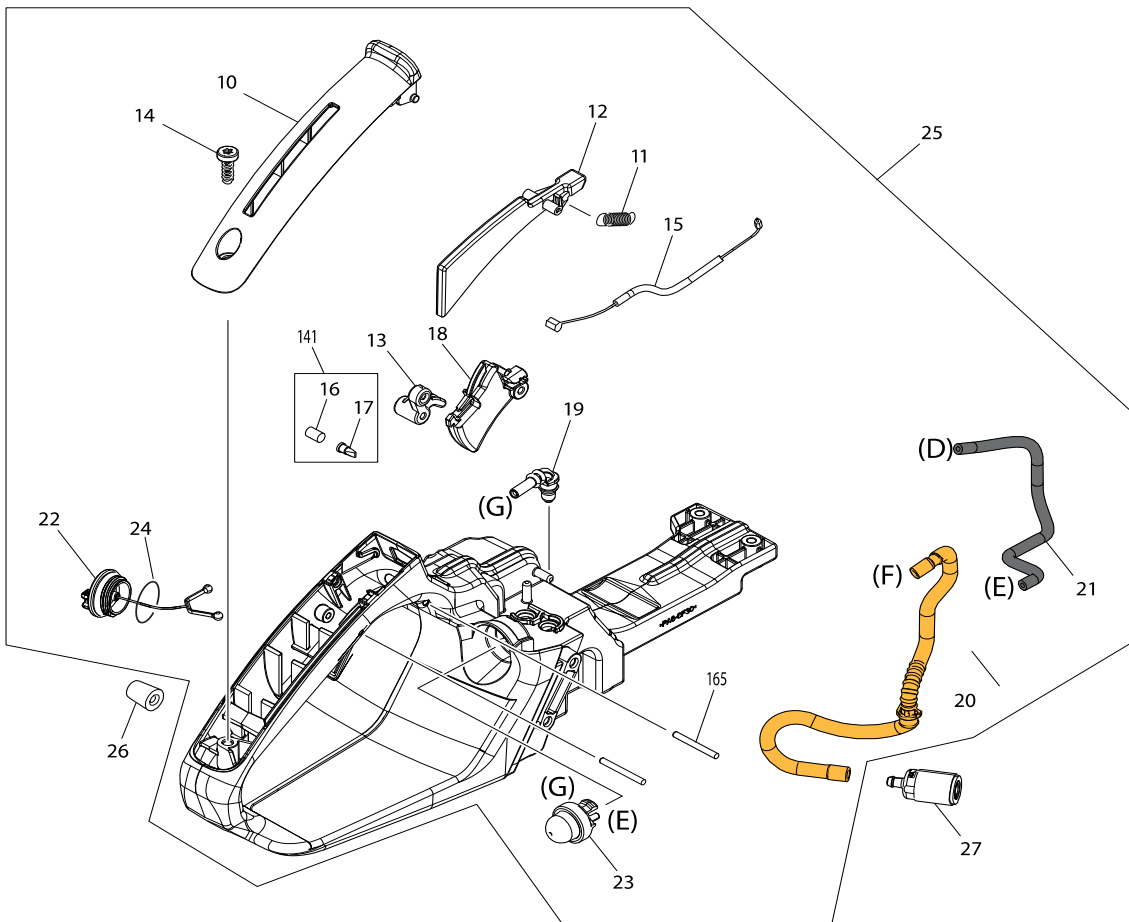
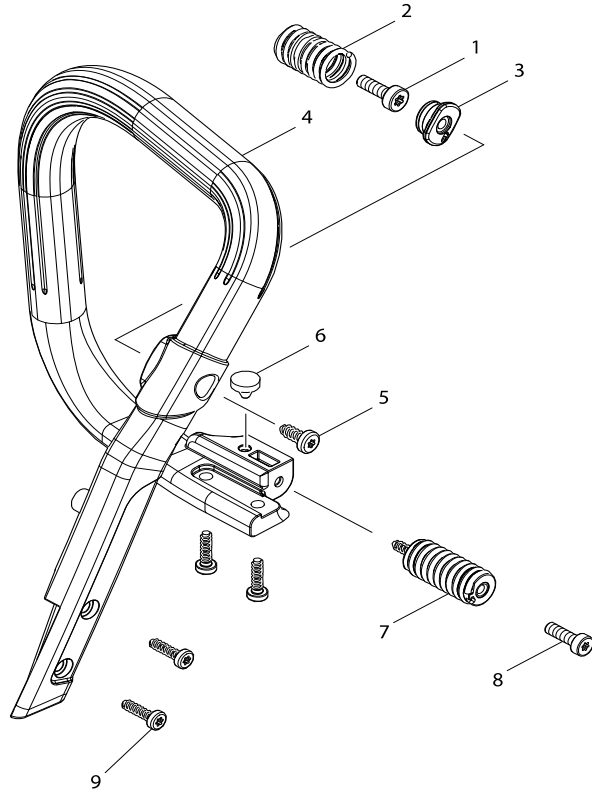


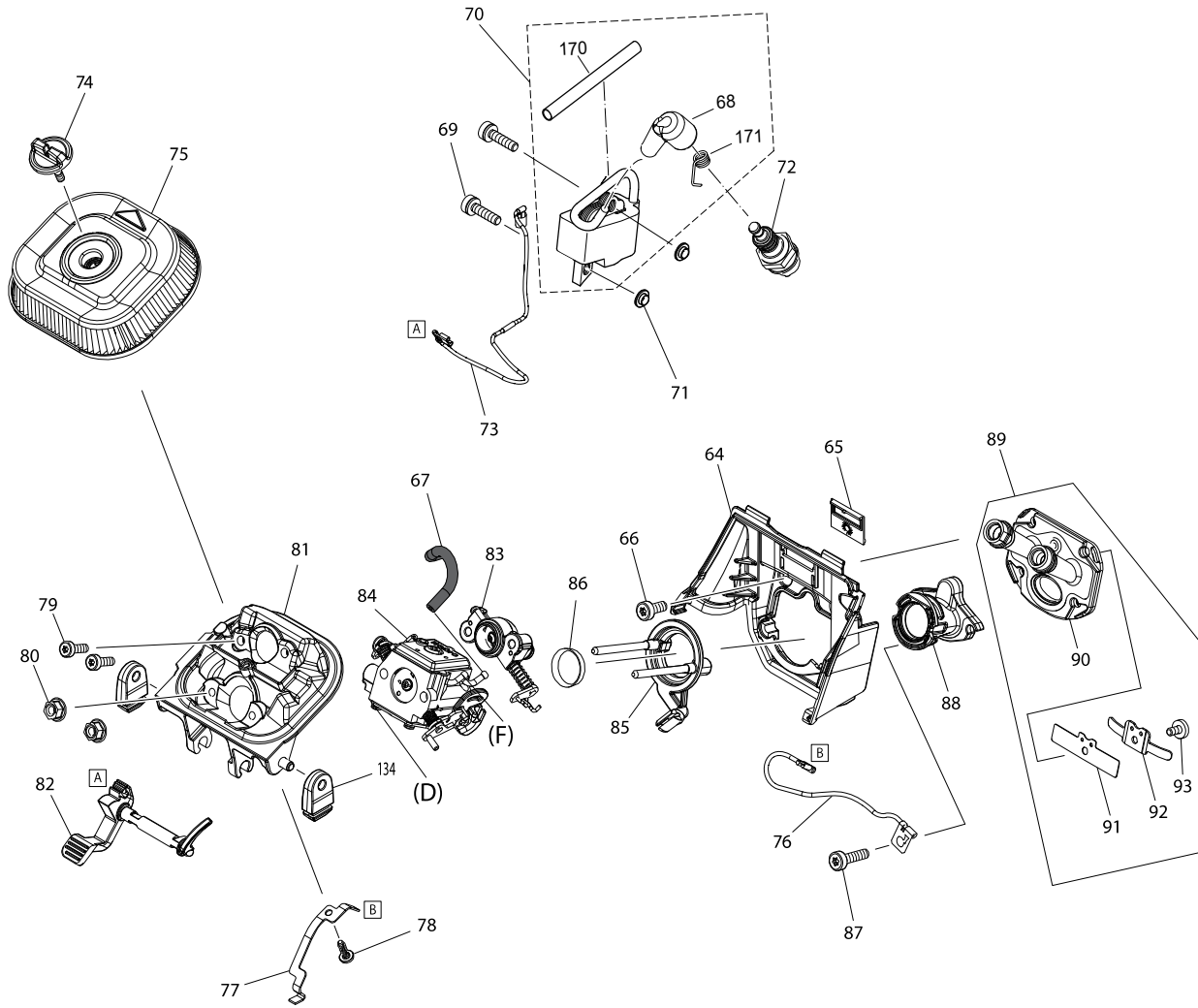


EA5600FR



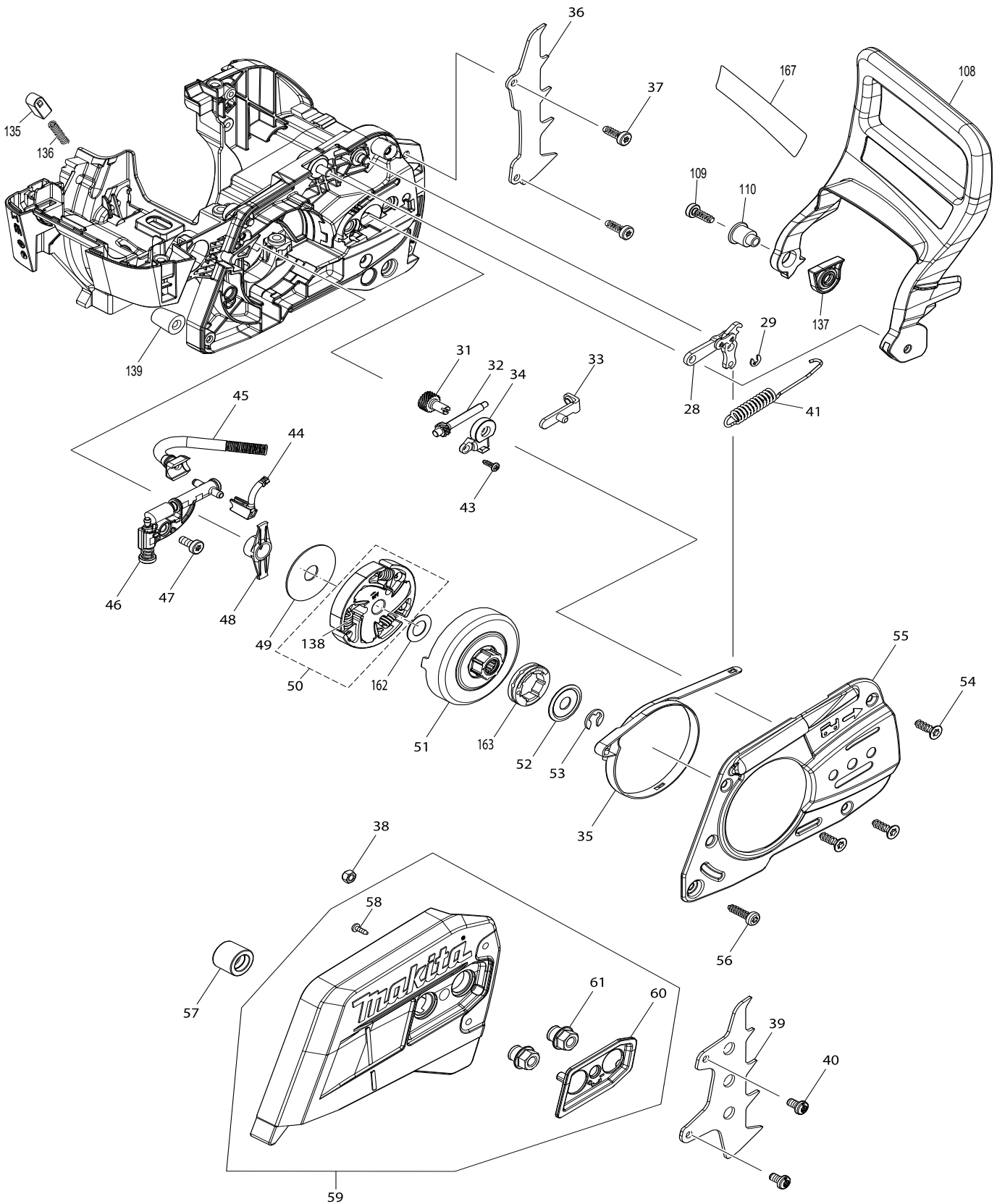
Products with multiple versions are listed in subsiding order with the newest version on top not indented.

Section	Fig. No.	Part No.	Description	EA5600FR	Tech Bulletin	Notes
1	1	266605-8	H.L. SOCKET HEAD BOLT M5X16	1		
1	2	231898-6	DAMPING SPRING	1		
1	3	456373-3	SPRING HOLDER	1		
1	4	456379-1	TUBULAR HANDLE	1		
1	5	913-467-164	H.L. TAPPING SCREW 6,7X16	1		
1	6	965-402-360	BUFFER	1		
1	7	143754-7	DAMPING SPRING ASSEMBLY	1		
1	8	908-006-205	SCREW M6X20 HEX-ROUND SOCKETR	1		
1	9	913-455-204	H.L. TAPPING SCREW 5.5X20	4		
1	10	131-117-050	GRIP OUTER SHELL	1		
1	11	130-117-060	TENSION SPRING5	1		
1	12	038-117-020	CATCH LEVER	1		
1	13	038-117-030	LOCKER	1		
1	14	266478-9	H.L. TAPPING SCREW 5.5X16	1		
1	15	131-117-040	BOWDEN CABLE	1		
1	16	010-175-030	SINTER INSERT	1		
1	17	010-175-021	VALVE	1		
1	18	130-117-010	THROTTLE LEVER	1		
1	19	131-114-340	FUEL PIPE	1		
1	20	131-114-310	FUEL PIPE	1		
1	21	131-114-090	TUBE 2.5-169	1		
1	22	168507-3	TANK CAP COMPLETE	1		INC 24
1	23	130-153-500	PRIMER PUMP	1		
1	24	213080-9	O-RING 29,3X3,6	1		
1	25	131-114-180	FUEL TANK SET(Red)	1		INC.10-24,141,165
1	26	181-111-230	IMPACT PROTECTOR	1		
1	27	010-114-200	SUCTION HEAD	1		
1	141	195762-4	AIR VALVE SET	1		INC.16,17
1	165	935-930-280	PIN 3	2		



Products with multiple versions are listed in subsiding order with the newest version on top not indented.

Section	Fig. No.	Part No.	Description	EA5600FR	Tech Bulletin	Notes
2	64	131-131-080	INTERMEDIATE FLANGE	1		
2	65	195-118-141	SHUTTER PLATE	1		
2	66	908-005-125	H. L. SOCKET HEAD BOLT M5X12	2		
2	67	131-114-080	TUBE 2.5-64	1		
2	68	125-143-011	PLUG CAP	1		
2	69	908-805-205	SCREW M5X20 WITH SPRING WASHER	2		
2	70	131-140-100	IGNITION COIL COMPLETE	1		INC 68, 170, 171
2	71	195-143-031	ISOLATING WASHER	2		
2	72	965-603-021	SPARK PLUG	1		
2	73	632F91-5	LEAD UNIT	1		
2	74	265791-2	THUMP SCREW M4	1		
2	75	131-173-010	AIR FILTER	1		
2	76	632F92-3	LEAD UNIT	1		
2	77	131-155-010	CONTACT SPRING	1		
2	78	266421-8	TAPPING SCREW 3X10	1		
2	79	266476-3	TORX SOCKET HEAD BOLT M5X20	2		
2	80	175-131-300	HEXAGONAL NUT WITH COLLAR	2		
2	81	456376-7	INTAKE MANIFOLD	1		
2	82	456375-9	CHOKE LEVER	1		
2	83	131-151-700	AIR FLAP ASSEMBLY	1		
2	84	131-151-100	CARBURETOR	1		
2	85	131-131-070	FLANGE RING	1		
2	86	131-131-090	SLEEVE 19	1		
2	87	266476-3	TORX SOCKET HEAD BOLT M5X20	2		
2	88	131-131-050	SUCTION HOSE	1		INC. 90-93
2	89	131-131-160	AIR HOSE COMPLETE	1		
2	90	131-131-030	AIR HOSE	1		
2	91	131-179-020	REED VALVE	1		
2	92	131-179-010	VALVE STOPPER	1		
2	93	908-004-085	H.L SOCKET HEAD BOLT M4X8	1		
2	134	424806-6	INTAKE MANIFOLD DAMPER	2		
2	170	131-143-040	INSULATING TUBE 6-90	1		
2	171	326210-4	TERMINAL SPRING	1		

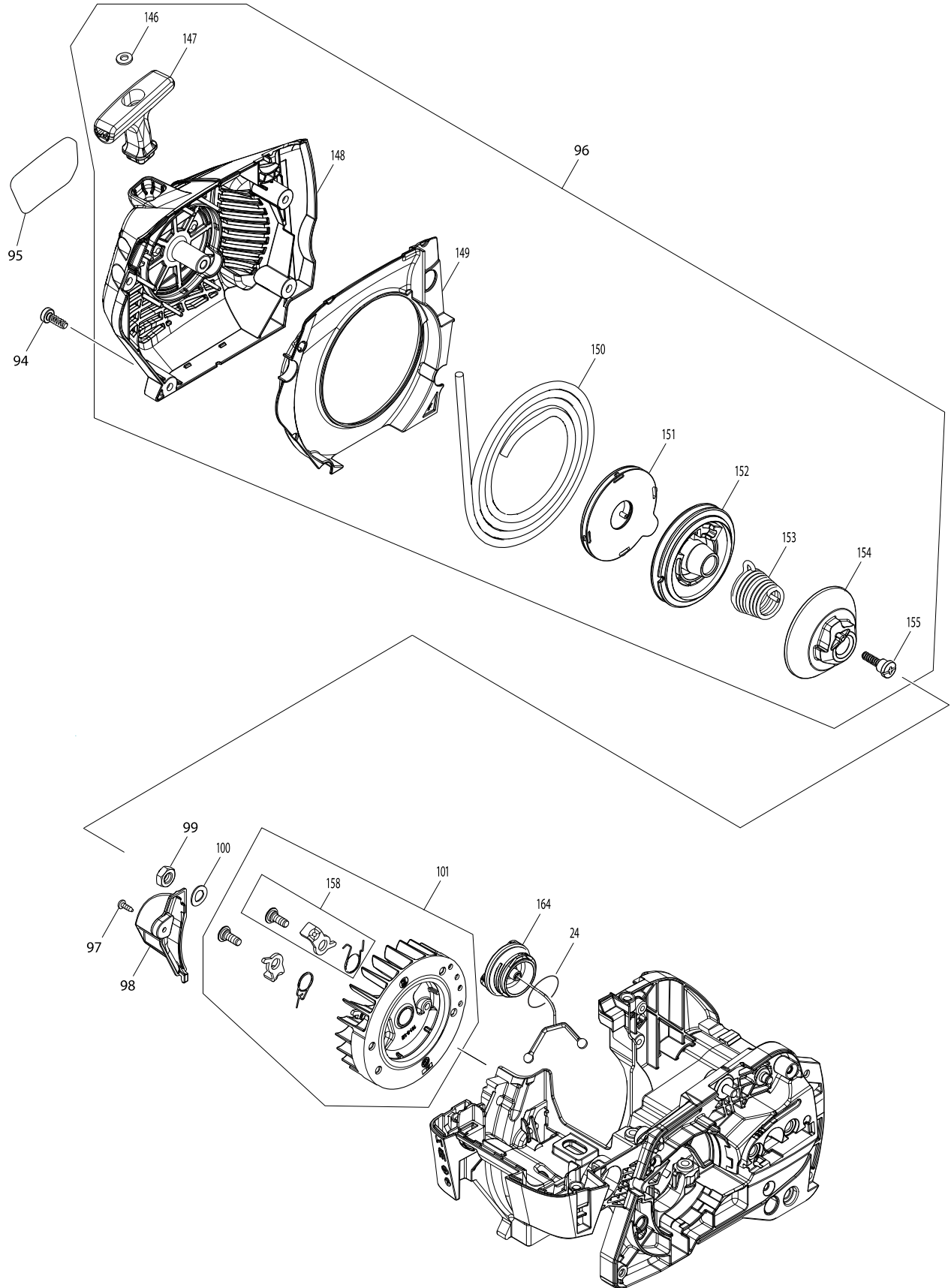


Products with multiple versions are listed in subsiding order with the newest version on top not indented.

Section	Fig. No.	Part No.	Description	EA5600FR	Tech Bulletin	Notes
3	28	185-213-100	LINK PLATE COMPLETE	1		
3	29	961011-9	STOP RING E-4	1		
3	29	257934-0	STOP RING E-4	1		
3	29	927-304-000	SAFETY WASHER	1		
3	31	181-213-250	HELICAL GEAR 18	1		
3	32	227743-1	HELICAL GEAR 11	1		
3	32	181-213-230	TENSIONING SCREW	1		
3	33	130-213-250	TENSION SLIDER	1		
3	33	130-213-240	TENSION SLIDER	1		
3	34	452667-4	GEAR COVER PROFESSIONAL	1		
3	35	346029-5	BRAKE BAND	1		
3	36	130-250-011	SPIKE BAR	1		
3	37	266478-9	H.L. TAPPING SCREW 5.5X16	2		
3	38	920-405-000	HEX NUT M5	2		
3	39	326648-3	SPIKE BAR	1		
3	40	266850-5	H.L. SOCKET HEAD BOLT M5X10	2		
3	41	181-213-023	TENSION SPRING	1		
3	43	266421-8	TAPPING SCREW 3X10	1		
3	44	424178-9	OIL TUBE	1		
3	45	144274-4	TUBE COMPLETE	1		
3	46	161346-0	OIL PUMP COMPLETE	1		
3	47	908-705-125	H.L SOCKET HEAD BOLT M5X12	1		
3	48	450956-1	PUMP DRIVE	1		
3	49	001-182-042	FLAT WASHER 12	1		
3	50	181-180-300	CLUTCH ASSEMBLY	1		INC 168
3	51	181-223-200	CLUTCH DRUM CPL	1		
3	52	267820-7	CUP WASHER29	1		
3	53	259045-7	LOCK WASHER	1		
3	54	913-850-155	H.L. TAPPING SREW 5X15	3		
3	55	326647-5	CHAIN BREAK COVER	1		
3	56	913-455-204	TAPPING SCREW TORX 5.5X20	1		
3	57	456378-3	CHAIN CATCHER	1		
3	58	266421-8	TAPPING SCREW 3X10	2		
3	59	131-213-640	SPROCKET GUARD ASSEMBLY(Red)	1		INC.58, 60, 61

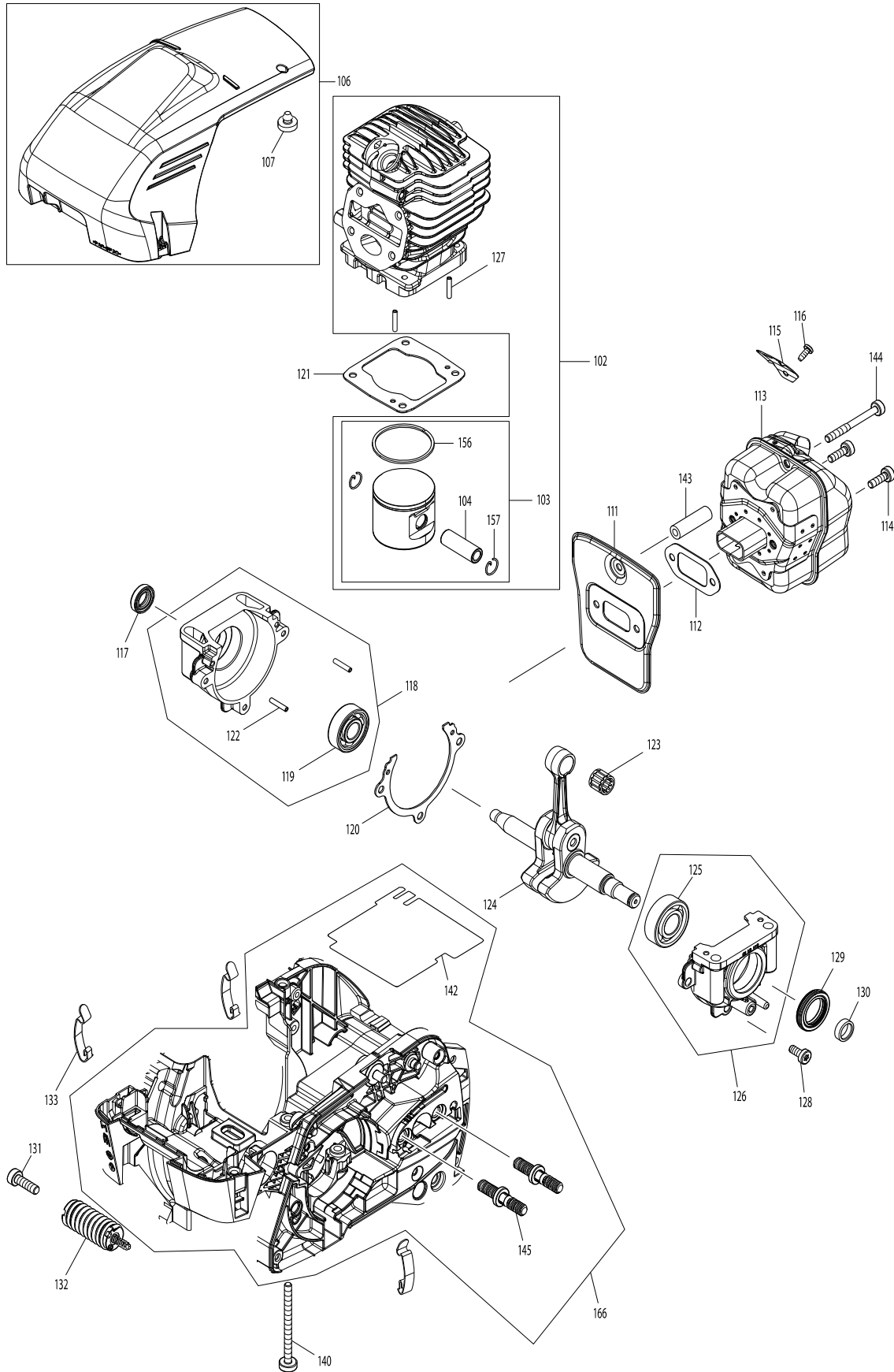
Products with multiple versions are listed in subsiding order with the newest version on top not indented.

Section	Fig. No.	Part No.	Description	EA5600FR	Tech Bulletin	Notes
3	60	456674-9	NUT COVER	1		
3	61	144689-5	FLANGE NUT COMPLETE	2		
3	108	131-213-050	HAND GUARD	1		
3	109	266478-9	H.L. TAPPING SCREW 5.5X16	1		
3	110	326676-8	BUSH 10	1		
3	135	313212-9	HAND GUARD GUIDE	1		
3	136	181-213-060	COMPRESSION SPRING 3	1		
3	137	456613-9	SPACER	1		
3	138	181-184-020	TENSION SPRING6	3		
3	139	181-111-230	IMPACT PROTECTOR	1		
3	162	181-224-090	FLAT WASHER 10	1		
3	163	026-224-010	RIM SPROCKET 3/8"	1		
3	167	810449-4	CAUTION LABEL	1		



Products with multiple versions are listed in subsiding order with the newest version on top not indented.

Section	Fig. No.	Part No.	Description	EA5600FR	Tech Bulletin	Notes
4	24	213080-9	O-RING 29,3X3,6	1		
4	94	266478-9	H.L. TAPPING SCREW 5.5X16	4		
4	95	131-115-620	EA5600F MODEL NO LABEL	1		
4	96	131-160-100	RECOIL STARTER ASSEMBLY (Red)	1		INC. 146-155
4	97	266421-8	TAPPING SCREW 3X10	1		
4	98	456377-5	AIR DUCT	1		
4	99	920-308-024	HEX. NUT M8	1		
4	100	267822-3	SPRING WASHER 8	1		
4	101	143331-5	FLYWHEEL CPL.	1		INC.158
4	146	928-405-000	SPRING WASHER5	1		
4	147	181-164-010	STARTER GRIP	1		
4	148	131-160-160	STARTER HOUSING COMPLETE	1		
4	149	131-118-040	AIR GUIDE PLATE	1		
4	150	131-164-020	STARTER ROPE $\varnothing=3,5$ L=103cm	1		
4	151	181-163-050	RETURN SPRING CPL.	1		
4	152	181-162-020	CABLE DRUM	1		
4	153	181-163-080	SPRING EASY START	1		
4	154	181-163-090	DRIVER FOR EASY START	1		
4	155	181-163-095	SCREW	1		
4	158	181-166-100	STARTER RACHET COMPLETE	2		
4	164	168507-3	TANK CAP COMPLETE	1		INC 24



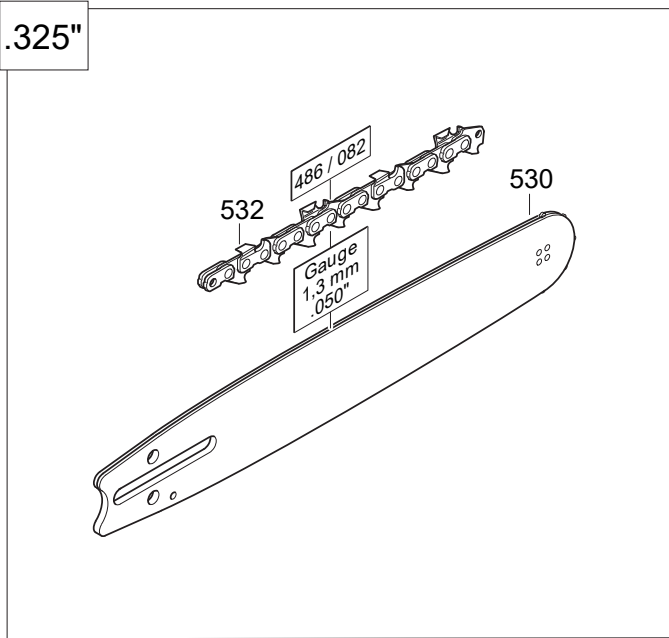
Products with multiple versions are listed in subsiding order with the newest version on top not indented.

Section	Fig. No.	Part No.	Description	EA5600FR	Tech Bulletin	Notes
5	102	131-131-200	CYLINDER PISTON SET	1		INC. 103,127
5	103	131-132-100	PISTON SET	1		INC. 104, 156, 157
5	104	131-132-030	PISTON PIN	1		
5	106	131-118-600	HOOD SET	1		INC.107
5	107	965-402-360	BUFFER	1		
5	111	131-174-090	COOLING PLATE	1		
5	112	395-174-120	MUFFLER GASKET	1		
5	113	131-174-100	MUFFLER COMPLETE	1		
5	114	266605-8	H.L.SOCKET HEAD BOLT M5X16	2		
5	115	131-174-040	SPARK ARRESTER	1		
5	116	914-535-105	SCREW 3.5X9.5	1		
5	117	962-900-156	OIL SEAL 12	1		
5	118	131-111-100	CRANKCASE MS COMPLETE	1		INC.119, 122
5	119	960-102-121	BALL BEARING	1		
5	120	131-111-060	CRANKCASE GASKET	1		
5	121	131-131-020	CYLINDER-BASE GASKET	1		
5	122	936-430-160	ROLL PIN 3-16	2		
5	123	962-210-111	NEEDLE CAGE	1		
5	124	131-120-100	CRANKSHAFT COMPLETE	1		
5	125	960-102-152	BALL BEARING 6202	1		
5	126	131-111-111	CRANKCASE CS COMPLETE	1		INC.125
5	127	936-430-160	ROLL PIN 3-16	2		
5	128	908-705-165	H.L. SOCKET HEAD BOLT M5X16	3		
5	129	962-900-160	OIL SEAL 20	1		
5	130	326658-0	SLEEVE 15	1		
5	131	908-006-205	TORX SOCKET HEAD BOLT M6X20	1		
5	132	143754-7	DAMPING SPRING ASSEMBLY	1		
5	133	130-118-070	CLAMP	3		
5	140	914-105-656	H.L. SOCKET HEAD BOLT M5X65	4		
5	142	131-111-080	HEAT PROTECTION FOIL	1		
5	143	327008-2	SLEEVE 5	2		
5	144	908-605-505	H.L. SOCKET HEAD BOLT M5X50	1		
5	145	905-708-215	BOLT	2		

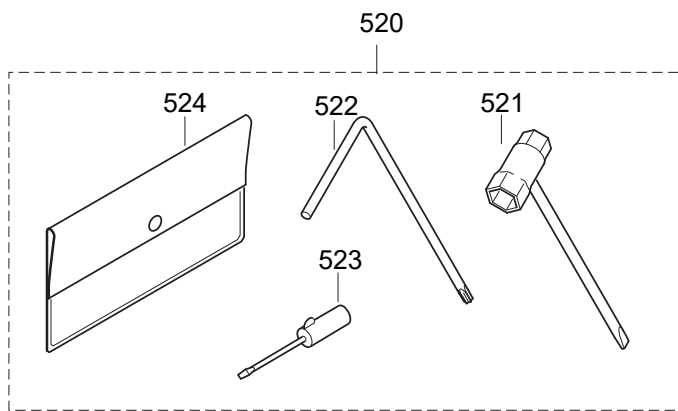
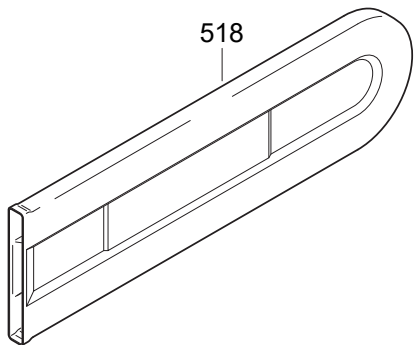
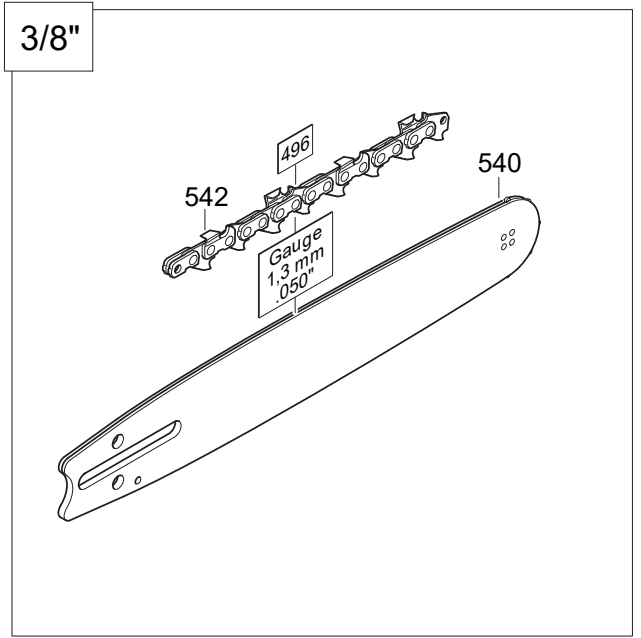
Products with multiple versions are listed in subsiding order with the newest version on top not indented.

Section	Fig. No.	Part No.	Description	EA5600FR	Tech Bulletin	Notes
5	156	181-132-080	PISTON RING D45	1		
5	157	315-132-140	SPRING RING	2		
5	166	131-110-150	ENGINE HOUSING ASSEMBLY(Red)	1		INC. 142, 145

.325"



3/8"



Products with multiple versions are listed in subsiding order with the newest version on top not indented.

Section	Fig. No.	Part No.	Description	EA5600FR	Tech Bulletin	Notes
6	518	952-020-650	20" BAR COVER	1		
6	520	957-004-002	TOOL KIT	1		
6	521	941-719-141	WRENCH	1		
6	522	782025-3	TORX WRENCH	1		
6	523	783012-5	SCREW DRIVER	1		
6	524	950-004-002	PLASTIC BAG	1		
6	530	415-045-641	18" GUIDE BAR .325 .050	1		
6	532	528-086-672	18" SAW CHAIN .325 .050	1		
6	540	443-053-661	20" GUIDE BAR 3/8 .050	1		
6	542	523-102-072A	20" SAW CHAIN 3/8 .050	1		