



# LRG4113ST

## QUICK INSTALL & CLEARANCES

For full installation directions/clearances please refer to the corresponding User Manual and Installation Guide.

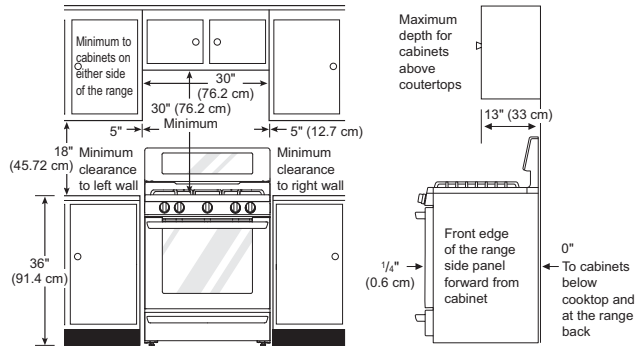
### DIMENSIONS/CLEARANCES/WEIGHT

Cabinet Width (in)	30"
Overall Depth (in) - including handle	28-15/16"
Overall Height (in) - including backguard	47-5/16"
Overall Width (in)	29-7/8"
Upper Oven Interior Dimensions (in) (W x H x D)	24-7/8" x 21-3/8" x 20"
Height to Cooking Surface (in)	36"
Drawer Dimensions (in) (W x H x D)	22-3/16" x 4-1/2" x 16-3/8"
Product Weight	199.5 lbs
Shipping Weight	221.5 lbs
Carton Dimensions (in) (W x H x D)	32-1/2" x 51" x 30-1/2"

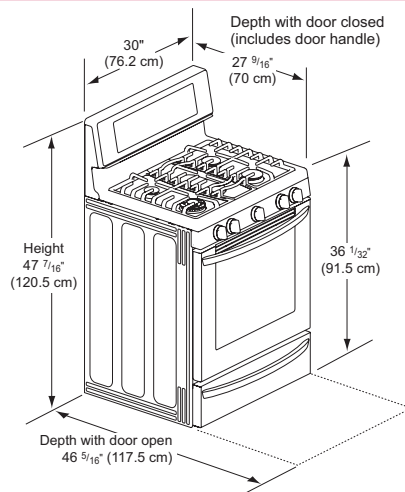
### POWER/RATINGS

Amp at 120V	4.5A
kW at 120V	502W
Requirements	120 VAC

### INSTALLATION CLEARANCES



### DIMENSIONS



### GAS PIPE AND ELECTRICAL OUTLET LOCATIONS

