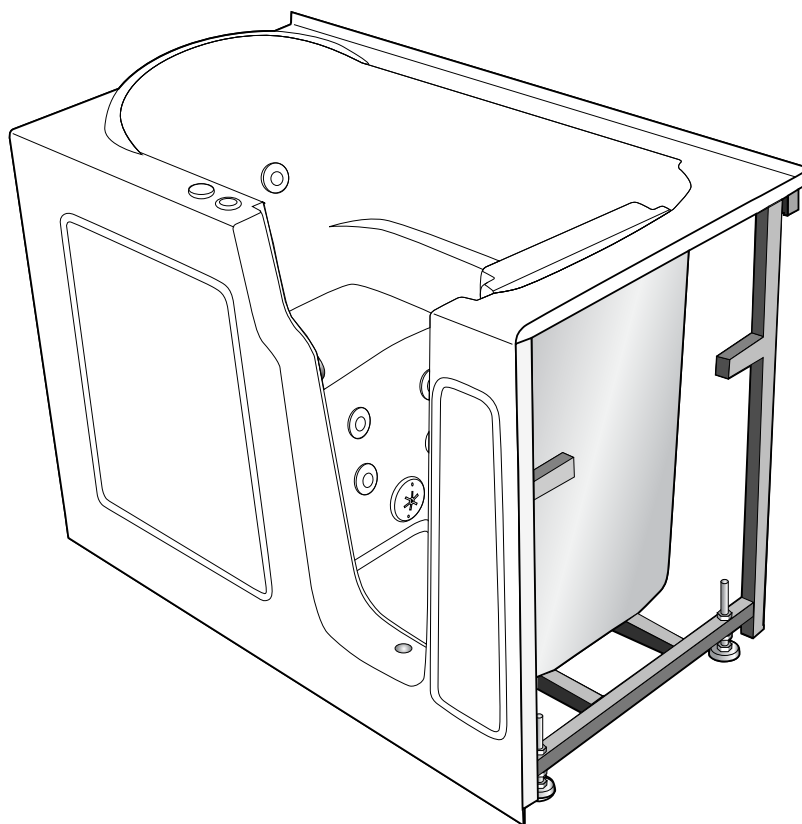


INSTALLATION & OPERATING INSTRUCTIONS



OPERATING INSTRUCTIONS

INSTALLATION & OPERATING INSTRUCTIONS

MODEL
2646

UNIVERSAL WALK-IN BATHTUBS
5701 NW 35 Avenue
Miami, FL 33142
Phone 877-360-4454
Fax 866-560-1060
info@universaltubs.com
<http://www.universaltubs.com>

TABLE OF CONTENTS

TABLE OF CONTENTS

THANK YOU FOR CHOOSING UNIVERSAL WALK-IN BATHTUBS®	2
CONTACT INFORMATION.....	2
PRODUCT REGISTRATION*	3
SAVE THIS MANUAL!	4
UNPACKING THE UNIT.....	5
PRE-INSTALLATION*	6
INSTALLATION PREPARATION	7
ELECTRICAL PREPARATION	8
INSTALLATION PROCEDURES	9
DRAIN CONNECTION.....	10
CONNECTING THE AUTODRAIN.....	11
INSTALLATION AND EXTENSION PANELS	12
FAUCET INSTALLATION.....	13
OPERATING SAFETY INSTRUCTIONS.....	14
OPERATING INSTRUCTIONS	16
TUB CONTROLS.....	18
CLEANING AND MAINTENANCE	19
WARRANTY	20
RETURN POLICY	22
PRODUCT REGISTRATION CARD.....	23

OPERATING INSTRUCTIONS

TABLE OF CONTENTS

THANK YOU & CONTACT INFORMATION

THANK YOU FOR CHOOSING UNIVERSAL WALK-IN BATHTUBS®

Our mission is to help you maintain independence over essential bathing needs and improve the quality of life! **Universal Walk-In Bathtubs®** has designed the most accessible, most comfortable walk-in bathtub on the market today! Until recently, if you have difficulty getting in and out of a bathtub, it was almost impossible for you to take a bath. **Universal Walk-In Bathtubs®** specializes in accessibility and security. Safe transfers in and out of the bathtub are the most critical part of bathing safely. **Universal Walk-In Bathtubs®** is committed to providing a complete bathing experience for the elderly and mobility-impaired.

THANK YOU FOR YOUR PURCHASE!

CONTACT INFORMATION

UNIVERSAL WALK-IN BATHTUBS

5701 NW 35 Avenue

Miami, FL 33142

Phone 877-360-4454

Fax 866-560-1060

info@universaltubs.com

<http://www.universaltubs.com>

PRODUCT REGISTRATION

PRODUCT REGISTRATION*

*To ensure that your warranty is registered with Universal Walk-In Bathtubs™, complete, sign and return this registration card within 30 days of the purchase. NOTE: Your warranty will not be recognized by Universal Walk-In Bathtubs™ unless this card is fully completed and returned to: Universal Walk-In Bathtubs™ – 5701 NW 35th Ave, Miami, FL 33142

IMPORTANT

To ensure that your warranty is registered and confirmed with the manufacturer, please take a few moments to complete, sign and return the Product Registration Card (below) within 30 days.

WARRANTY CONFIRMATION

By returning this Product Registration Card we confirm the date of purchase for your new product. This confirmation will allow **Universal Walk-In Bathtubs™** to process any warranty claims.

PURCHASE REGISTRATION

The information provided on Product Registration Card (**found on page 23**) will be kept on file with **Universal Walk-In Bathtubs™** as an official Purchase Registration. The completed card should be mailed to :

UNIVERSAL WALK-IN BATHTUBS

5701 NW 35 Avenue
Miami, FL 33142
Phone 877-360-4454
Fax 866-560-1060
info@universaltubs.com
<http://www.universaltubs.com>

SAVE THIS MANUAL

SAVE THIS MANUAL!

GENERAL INFORMATION

READ THESE INSTRUCTIONS COMPLETELY BEFORE INSTALLING THE PRODUCTS. FAILURE TO DO SO COULD RESULT IN AN IMPROPER INSTALLATION AND COULD VOID THE WARRANTY.

RESPONSIBILITY OF THE INSTALLER

THE INSTALLER MUST INSPECT AND WATER-TEST THE PRODUCT PRIOR TO INSTALLATION TO ENSURE THE UNIT IS FREE OF DEFECT OR DAMAGE. IN THE EVENT OF A PROBLEM, THE UNIT MUST NOT BE INSTALLED. IF THE CRATE OR THE PRODUCT HAS BEEN DAMAGED DURING SHIPPING, PLEASE CALL US IMMEDIATELY.

THIS PRODUCT MUST BE INSTALLED BY A LICENSED/CERTIFIED CONTRACTOR

LICENSED PLUMBERS AND ELECTRICIANS SHOULD BE EMPLOYED TO INSURE PROPER INSTALLATION. INSTALLERS ASSUME ALL LIABILITY FOR THE CORRECT INSTALLATION PROCEDURES. ONLY ACCESSORIES AUTHORIZED BY THE MANUFACTURER SHOULD BE USED WITH THIS PRODUCT.

IMPORTANT SAFETY INSTRUCTIONS

WARNING! WHEN USING THIS PRODUCT, BASIC PRECAUTIONS SHOULD ALWAYS BE FOLLOWED. READ AND FOLLOW ALL INSTRUCTIONS PERTAINING TO RISK OF FIRE, ELECTRICAL SHOCK, AND/OR OTHER INJURIES.

UNPACKING

UNPACKING THE UNIT

INSPECTING THE PACKAGING

Inspect the carton. If any damages are noted, photograph the damaged area(s) and notify the deliverer/carrier.

LIFTING / TRANSPORTING

Never lift the walk-in bathtub by the plumbing. Doing so may result in damaging the plumbing and causing a leak.

INSPECTING THE UNIT

Immediately inspect the unit for damage even if there is no carton damage. Once the unit is installed surface damages will be assumed to be installation related if not reported at this point.

PLACING THE UNIT

Please note that an installer(s) assumes full liability for damages to the walk-in bathtub after the unit is installed in the “cradle”/ niche.

OPERATING INSTRUCTIONS

UNPACKING

SAFETY

PRE-INSTALLATION*

** All Walk-In Bath Tubs are 100% water tested at the factory certified to be free of leaks. Transportation and mishandling may cause leaks. It is necessary to test the bathtub while there is access to all sides of the bathtub.*

READ AND FOLLOW ALL INSTRUCTIONS

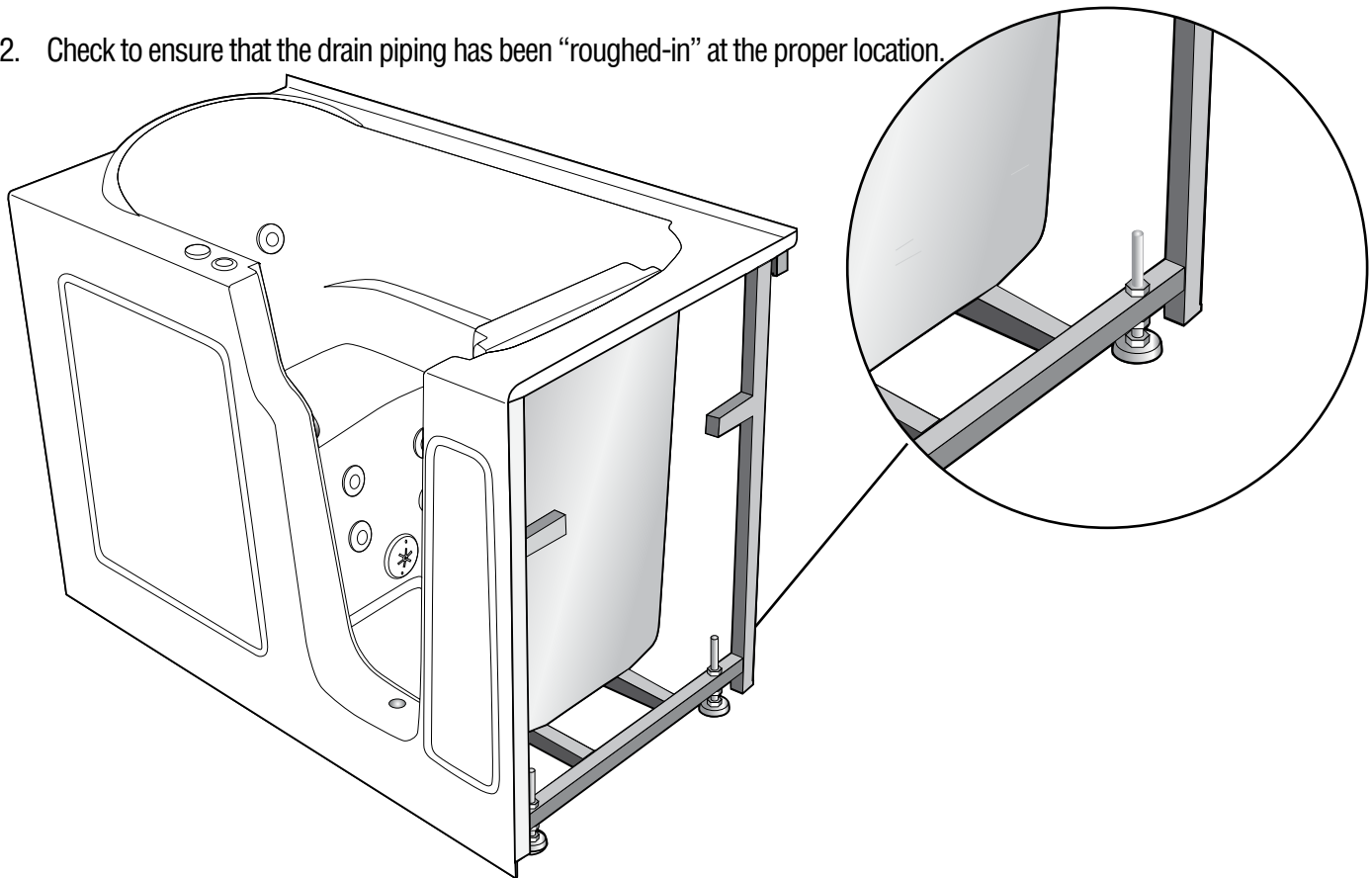
- Place the tub on a completely flat surface in an area where it may be drained after testing.
- Close the drain and fill the tub until it is above the highest jet. If it's a soaker fill up to normal water height level.
- Allow the water to stand in tub for 30 minutes and then inspect all plumbing and seals for leaks.
- If tub is jetted, supply electric to unit and run for 10 minutes and inspect for leaks. Inspect the unions around the pump; if leaks persist from the unions after tightening; loosen the unions and insure the O-ring is seated properly.

NOTE: IF THE PUMPS DO NOT OPERATE, CHECK THE BREAKER TO ENSURE POWER IS ON AND THE CABLE CONNECTING THE CONTROLS TO THE PUMP IS ATTACHED.

WARNING! DO NOT RUN ANY PUMPS UNLESS THE TUB IS FILLED WITH WATER TO PROPER LEVEL. DAMAGE DUE TO DRY RUNNING PUMPS IS NOT COVERED UNDER WARRANTY. FAILURE TO PERFORM THESE TESTS BEFORE INSTALLATION WILL MAKE THE INSTALLER LIABLE FOR FUTURE REPAIR COSTS.

INSTALLATION PREPARATION

1. Check the floor area where the tub is to be installed.
 - a. Clean area of any debris or trash.
 - b. Use a 5 or 6-foot level and determine if the floor is level. If the floor is not level, adjust all 6 leveling feet to perfectly level the tub.
 - **NOTE: IT IS IMPORTANT THAT ALL LEVELING FEET ARE COMPLETELY TOUCHING THE FLOOR AND LEVEL FOR THE DOOR SYSTEM TO WORK PROPERLY.**
2. Check to ensure that the drain piping has been “roughed-in” at the proper location.



3. Ensure that the proper electrical service has been installed at the pump location. See electrical requirements in the manual (on following page).

ELECTRICAL PREPARATION

ELECTRICAL PREPARATION

All electrical wiring must be installed in accordance with the National Electrical Code and with all local codes. All wiring shall be done by a qualified electrician. Run one, two or three branch circuits (as required) from the main electrical service panel to the pump area of the framing structure to provide power to the unit.

Electrical components have specific wiring requirements. Refer to the matrix below for the electrical supply requirements for the jet massage bathtub and factory installed components.

Branch circuits must be rated for 110 – 120 volts. Use 12 Gauge, 3 conductor cable for the circuits. If the length run exceeds 100 feet check with local codes for requirements. Install moisture proof junction box(s) 6” above the floor at the pump end of the framing for each circuit.

NOTE: DO NOT INSTALL THE JUNCTION BOX(S) WHERE IT CAN BE REACHED WHILE SITTING OR STANDING IN THE TUB OR TOUCHING THE FAUCETS.

AUTO DRAIN™, LIGHTS, WHIRLPOOL, AIR SPA, COMBO & HEATER ELECTRICAL REQUIREMENTS

This section lists the factory installed components of the Jet Massage and/or Air Massage Systems.

Systems	Electrical Rating Circuit 1	Dedicated Circuit
Soaker w / Auto Drain™	15 Amp GFCI	
Soaker w / Light	15 Amp GFCI	
Soaker w / Auto Drain™ w / Light	15 Amp GFCI	
Jet Massage Or Air Massage	15 Amp GFCI	
Jet Massage Or Air Massage w / Light	15 Amp GFCI	
Jet Massage Or Air Massage w/ Auto Drain™	15 Amp GFCI	
Jet Massage Or Air Massage w/ Light & Auto Drain™	15 Amp GFCI	
Jet Massage & Air Massage (Dual)	20 Amp GFCI	
Jet Massage & Air Massage (Dual) w/ Light	20 Amp GFCI	
Jet Massage & Air Massage (Dual) w/ Auto Drain™	20 Amp GFCI	
Jet Massage & Air Massage (Dual) w/ Light & Auto Drain™	20 Amp GFCI	
Whirlpool Inline Heater - Dedicated 15 Amp Circuit		15 Amp GFCI

All electrical connections must be carried out by a certified electrician in accordance with local electrical requirements and codes.

INSTALLATION PROCEDURES

INSTALLATION PROCEDURES

WARNING! WHEN INSTALLING JET MASSAGE BATH, THE FOLLOWING BASIC PRECAUTIONS SHOULD BE FOLLOWED.

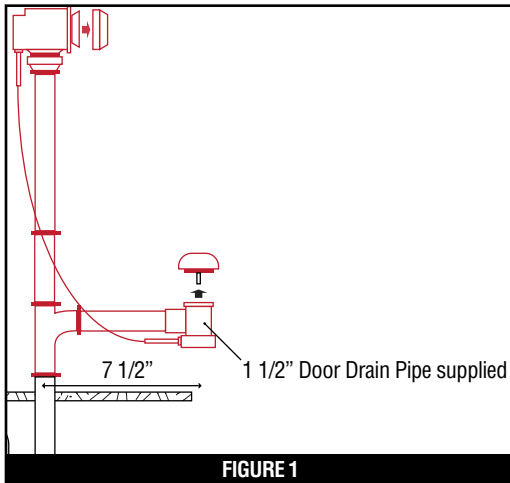
DANGER! RISK OF ELECTRIC SHOCK. CONNECT ONLY TO SEPARATE CIRCUIT PROTECTED BY A GROUND FAULT CIRCUIT INTERRUPTER (GFCI) ON PLUG IN UNITS.

NOTE: INSTALLATION MUST PROVIDE ACCESS FOR SERVICING PUMP/MOTOR (ALL TUBS COME WITH AN ACCESS PANEL FOR THE PUMP/MOTOR).

GENERAL GUIDE-THROUGH

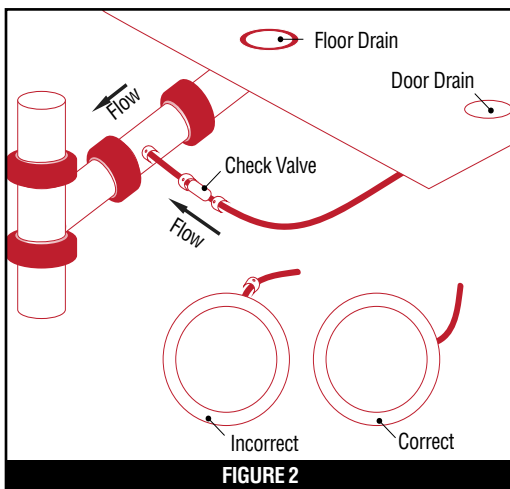
- Install tub waste/overflow according to instructions (see page 10).
- Standard installation - After framing is a complete (see attached diagrams), set product in place to make certain that the tub can be properly leveled. (Caution: If a walk-in bathtub is not resting on all leveling feet, water will not drain properly and may cause the door to leak) (see page 7).
- Verify the product's level by checking tub's deck surface and ensure all leveling feet are touching the ground (see page 7).
- Electrical connection is made pre-instruction on specified models.
- After plumbing and electrical connections have been made, the tub should be cleaned of dirt and debris.
- Installation is not complete until the tub has been tested in place.

DRAIN CONNECTION



To ensure safe transit for your walk-in tub, the overflow drain components are not connected to the unit during the process of production. The following instructions are provided for installation purposes: Your walk-in tub is supplied with a 1 1/2" drain pipe overflow. The open and close valve with the turn knob should be attached to the unit at the 1 1/2" pre-drilled opening in the wall of the unit from the outside. The opposite end of the overflow should be attached to the 1 1/2" pre-drilled opening in the foot well of the unit from the underside. The chrome turn knob and the drain cover should be attached to the appropriate ends of the overflow drain from the inside of the unit. Place the chrome cap with stem into

the floor drain to close off the opening. The cable attached to the turn knob of the overflow is also connected to a lever inside the floor drain which allows the drain to be opened or closed. Once the components of the overflow are secured into place, turn the overflow knob to the open and closed position to ensure proper function. The cap and stem will move up and down, opening and closing the drain (**Figure 1**).



Your walk-in tub also has a door drain to remove excess water from the door after each use. From the underside of the unit, a hose is connected to the door drain with a check valve. This hose and valve is to provide a one-way flow from the door drain to the main drain pipe. The check valve will constrict the water flow away from the door. Insert the opposite end of the hose into the port on the main drain. Be sure the port is open before attaching the hose. Secure the hose with clamps or ties. Once the hose is in place, close the door on the unit, place the handle in the locked position, and fill tub with at least 12" of water to test the connection. Once the completion

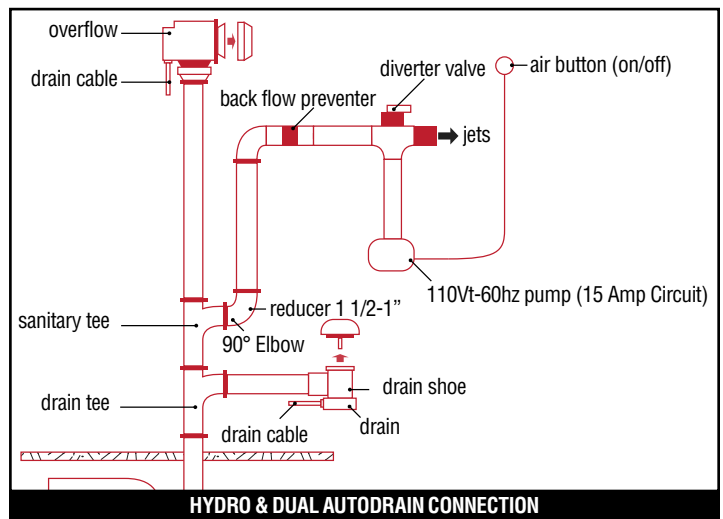
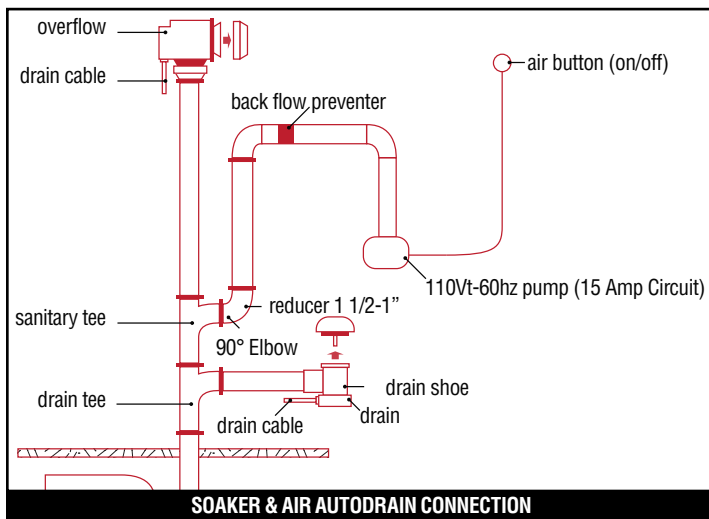
of the drain components are installed and have been tested for proper function, the unit can be leveled and give a final water test before installation of unit (**Figure 2**).

CONNECTING THE AUTODRAIN

HIGH-SPEED AUTODRAIN FOR SOAKING TUB AND/OR AIR SYSTEM

- Drain System requires the connection to a minimum 1 ½ sanitary drain line.
- Use UPC Approved PVC Glue, primer, and Schedule 40 1 ½ ' pipe.
- Do not change or modify the location and or piping of the Back Flow Preventer.
- The sanitary tee is installed directly above the drain tee with clearance not greater than 1”.
- Dry fit the drain overflow assembly to the sanitary drainage pipe and check for proper fit.
- Glue the High-Speed Autodrain Fittings, pipe and drain overflow assembly to the sanitary drainage pipe.

NOTE: WATER TIGHT INSTALLATION OF THE WASTE/ OVERFLOW IS THE INSTALLER’S RESPONSIBILITY. DRAIN LEAKAGE IS EXCLUDED FROM THE UNIVERSAL TUBS WARRANTY OF THIS PRODUCT.

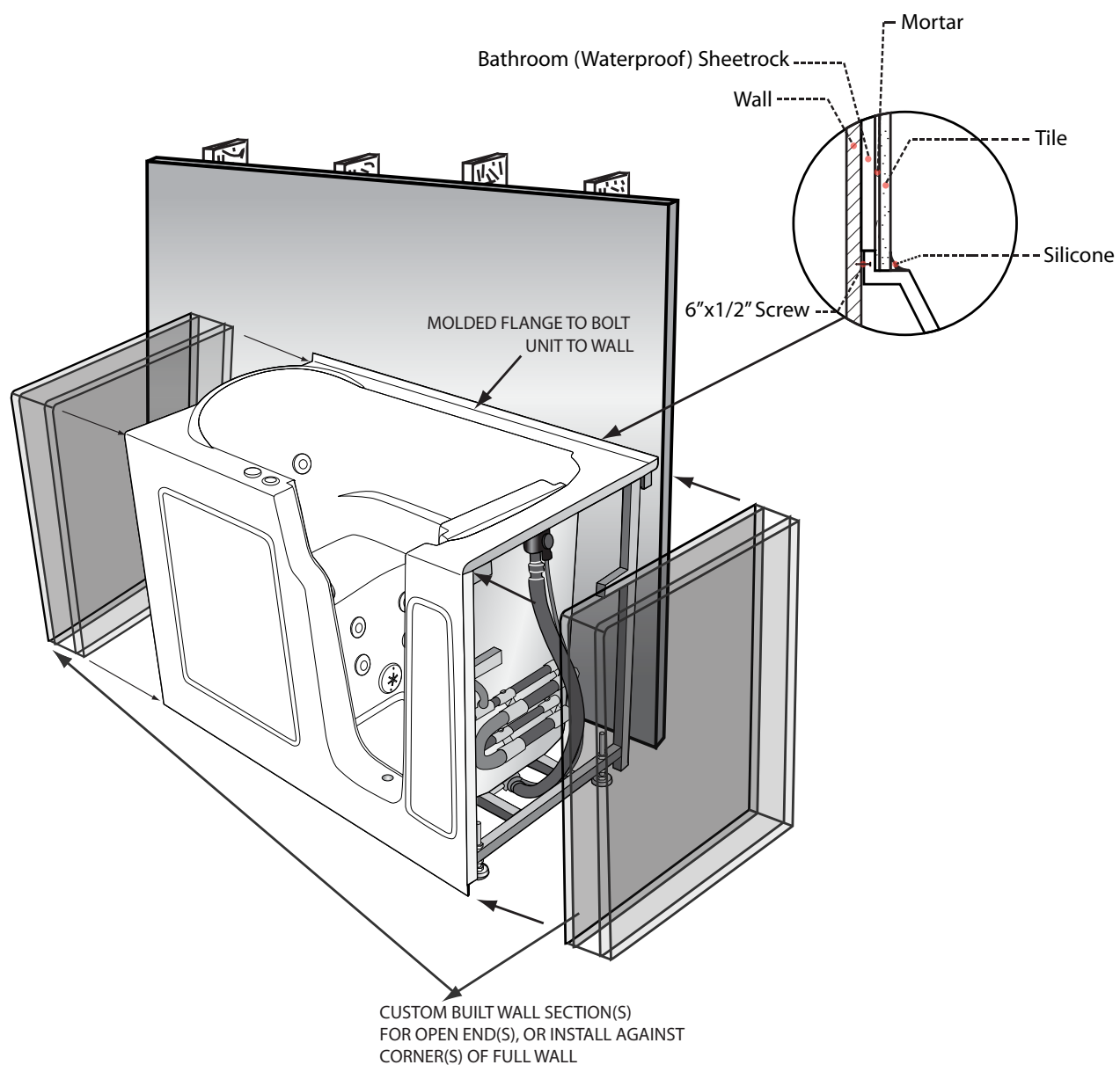


NOTE: WE HAVE TAKEN RESPONSIBLE PRECAUTIONS TO ENSURE THE HIGH-SPEED AUTODRAIN IS SUITABLE FOR RESIDENTIAL PLUMBING. IT IS RESPONSIBILITY OF THE INSTALLER TO INSURE THE SANITARY SYSTEM IS ACCEPTABLE FOR THE USE OF THE HIGH-SPEED AUTODRAIN. WE DO NOT ACCEPT RESPONSIBILITY FOR DAMAGE ARISING FROM THE USE OF THE HIGH- SPEED AUTODRAIN. *

*-Ensure compliance with local plumbing codes.

OPERATING INSTRUCTIONS

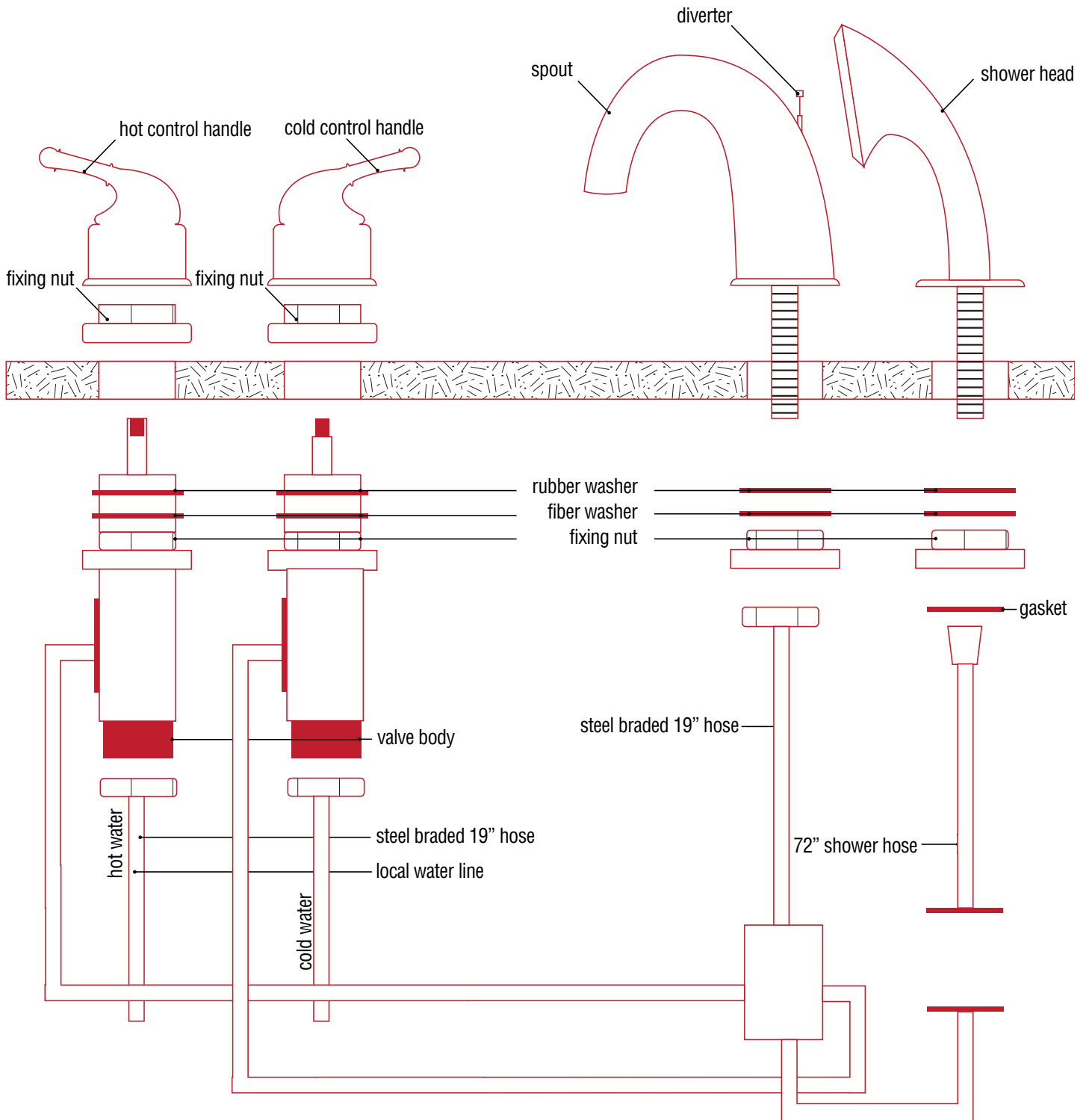
ASSEMBLY & PLACEMENT



OPERATING INSTRUCTIONS

FAUCET INSTALLATION

OPERATING INSTRUCTIONS



OPERATING SAFETY INSTRUCTIONS

INSTRUCTIONS PERTAINING TO RISK OF FIRE, ELECTRICAL SHOCK OR INJURY TO PERSONS

WARNING! RISK OF PERSONAL INJURY:

- Use this unit for its intended use as described in this manual. DO NOT use attachments not recommended by the manufacturer.
- To avoid injury, exercise caution when entering or exiting your walk-in tub.
- To reduce the risk of injury, do not permit children or persons with infirmities to use this product unless they are closely supervised at all times.
- The maximum recommended temperature is 102 F° (38.8 C °). Fifteen minutes per soak is the recommended maximum time at 102 F°, which may induce Hyperthermia which is an increase in body temperature. This can be a serious medical condition and all bath users are cautioned against lengthy immersion at high water temperatures. Should you become light-headed, dizzy, or nauseous, immediately get out of the bath and cool off.
- Risk of electric shock; do not permit electric appliances (such as a hair dryer, lamp, telephone, radio or television) within four feet of this bathtub.
- Never drop or insert any objects into any openings.
- Do not operate this unit without the guard over the suction fittings.

WARNING! RISK OF HYPERTHERMIA AND POSSIBLE DROWNING. People using medications, herbal remedies, sleep aids, and /or having adverse medical history should consult a physician before using this product.

WARNING! NO FOOD OR ALCOHOLIC BEVERAGES. Use of your bathtub immediately after meals is not recommended. Avoid alcohol consumption before or during the bathing. Alcoholic beverages can cause drowsiness or hyperthermia resulting in loss of consciousness or even drowning.

The unit must be connected only to a supply circuit that is protected by a ground-fault circuit-interrupter (GFCI). Such a GFCI should be provided by the installer and should be tested on a routine basis. To test the GFCI, push the test button. The GFCI should interrupt power. Push the reset button. Power should be restored. If the GFCI fails to operate in this manner, there may be a ground current flowing, indicating the possibility of an electric shock. Do not use this massage bathtub. Disconnect the jet massage bathtub and have the problem corrected by a qualified service representative before using.

To reduce the risk of electrical shock, the dedicated electrical supply circuit(s) must be grounded. To do this, connect the third leg of the 3-conductor wiring cable to the grounding terminal of the electrical service panel and run continuously to the green grounding screw on the GFCI or electrical receptacle in the wiring compartment.

OPERATING INSTRUCTIONS

When entering an Universal walk-in tub, be sure to close the door, placing the **handle** in the **down position**. Before activating any of the jetting controls, you must first fill the bath to a water level at least 2 inches above the highest jet placement. Do not put weight on the door when entering and exiting the tub. It is recommended to leave the door in the open position when the tub is not in use.

The pump is operated by the **hydro control button**, which starts the water flow. The blower is operated by the **air control button** which starts the air flow (see page 18).

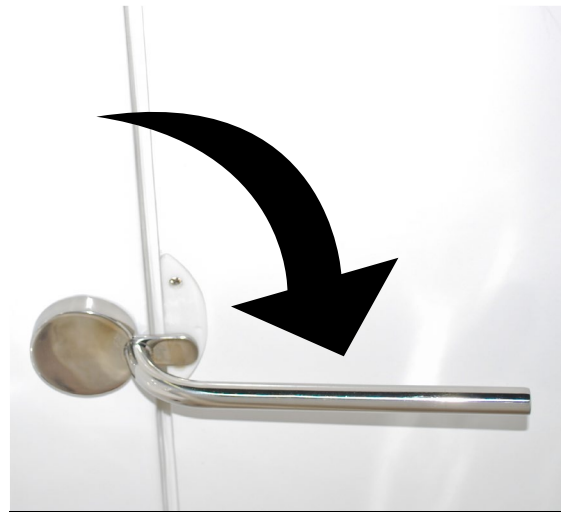
Adjust the direction and rate of flow of the jets by moving the nozzle for direction. Turn either the outside ring or the nozzle clockwise or counterclockwise for flow (some jets adjust the flow with the outside ring and some with the nozzle). Adjust the air pressure flow of all water jets by using the **air volume control** (see page 18), which controls air-water mixture.

Universal walk-in tubs equipped with the chromotherapy lights (**ordered separately**), feature a dedicated on/off switch. Pressing the switch off and back on will change the color of light (see page 18).

PURGE CYCLE

All air blowers are equipped with a purge cycle to remove residual water from the lines. The cycle will begin approximately 30 minutes after the unit is turned off and will continue for 1 - 2 minutes.

WARNING: DO NOT PUSH THE BUTTON ONCE THE CYCLE BEGINS. DOING SO WILL CAUSE



EXAMPLE TUB DOOR HANDLE

THE BLOWER TO RESTART ONCE THE PURGE CYCLE ENDS.

IN-LINE HEATERS

If your bathtub is equipped with an in-line heater, it will operate only when the pump is on.

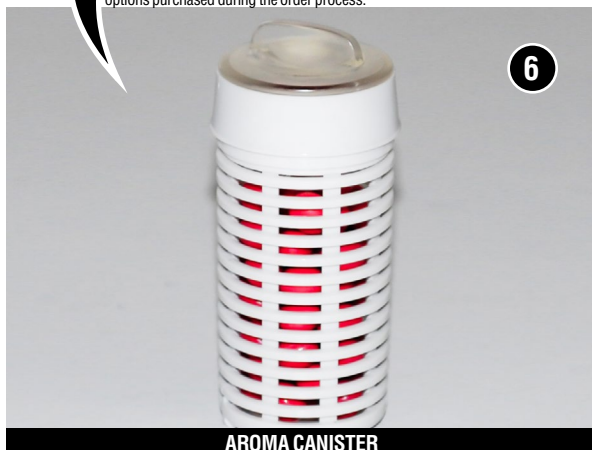
NOTE: THE IN-LINE HEATER IS DESIGNED TO KEEP YOUR WATER WARMER LONGER, BUT IS NOT DESIGNED TO INCREASE THE WATER TEMPERATURE. HEAT SETTINGS ARE NOT ADJUSTABLE.

TUB CONTROLS



EXAMPLE TUB CONTROLS*

*Controls depicted may vary from those found on your unit. Variance is based on the options purchased during the order process.



AROMA CANISTER

1 HYDRO CONTROL (PUMP)

Used to turn the water jets **ON** and **OFF**.

2 AIR CONTROL (BLOWER)

Used to control the air jets on the system.

1st Press: Blower starts at **MAX** speed

2nd Press: Blower at **MED** speed

3rd Press: Blower at **MIN** speed

4th Press: Blower turns **OFF**

3 CHROMO CONTROL (LIGHT)

Used to turn the chromotherapy lights **ON** and **OFF**.

Pressing the button repeatedly will cycle through different color modes.

4 AIR PRESSURE CONTROL

Used to increase or decrease air pressure flowing through the water jets.

5 AROMA CONTAINER

Unscrew to place or replace the aroma canister.

6 AROMA CANISTER

Placed inside the aroma container. Check frequently and replace as needed.

OPERATING INSTRUCTIONS

CLEANING AND MAINTENANCE

Pump and pipe circulation systems should be flushed before first use and on a monthly basis when product is under normal use.

Below are the recommended procedures for cleaning:

- Do not run whirlpool dry. Fill the tub with hot water 2-3 inches above the jets and add 2-3 teaspoons of low foaming detergent such as dishwashing machine detergent
- Turn on whirlpool system and run for 10 minutes
- Drain tub completely
- Fill tub with cold water above jets
- Turn on whirlpool system and run for 15 minutes
- Drain tub completely
- Cleaning the suction cover: Clean and remove any hair or lint from the suction cover (see image below). On a monthly basis, unscrew the suction cover and clean away any hair, lint or debris from the cover and housing, then remount the cover in place. Some suction covers are not designed to be removed; only suction covers that have screws on the cover, visible from the inside of the tub, can be removed.

WARNING! NEVER OPERATE THE UNIT WITH THE SAFETY SUCTION COVER OFF.



SUCTION COVER

WARRANTY

This 10-year bath tub warranty is extended to the first user, to be free from defects in workmanship and material under normal use and conditions, for a period of **10 years** from the date of the original purchase. This warranty relates to the bathtub shell, frame and finish. The finish's warranty does not apply to fading, cracking, delaminating or blistering due to excessive wear, sun fading or scouring due to cleaning. Different warranty periods apply. The tub and all its components including motors, electronic controls, waste and overflow, fittings and all plated finishes are covered by a limited one year warranty, subject to verification of the defect or malfunction. All labor and repair-related services are covered within the first **90** days of purchase. This warranty is non-transferable and applies only to the original owner as stated on the original purchase order. Notification **must be** sent via certified mail to **5701 NW 35 Avenue Miami, FL 33142**. The manufacturer will not be responsible for any water damage to any structures or any property for any reason (including but not limited to manufacturer defects or improper installation). Manufacturer will assume no responsibility for the loss of the system, inconvenience due to loss, damage to real or personal property or any other consequential damage. Manufacturer will not be liable for any incidental expenses or material charges in connection with removal or replacement of the purchased part or any part or parts of the system. This warranty shall not apply to any type of failure resulting from negligence, abuse, misuse, misapplication, improper installation, alteration or modification, chemical corrosion or improper maintenance. Every walk-in tub must be installed by a licensed plumber, electrician and/or contractor; Failure to do so will hereby void the warranty. There will be a charge for replacement parts or the replacement of the entire electrical unit if the defective unit is returned for any of the reasons listed above.

NOTE: WITHIN THE LIMITED ONE YEAR WARRANTY, THERE WILL BE A PRORATED CHARGE FOR ANY ELECTRICAL AND PLATED REPLACEMENTS PARTS, INCLUDING SHIPPING AND HANDLING CHARGES.

Manufacturer reserves the sole authority to make any type of warranty changes at any time. The manufacturer will not be responsible for any warranty information that is being misrepresented by outside sources including dealers,

WARRANTY

retailers, distributors or contractors. Manufacturer does not warranty the installation, plumbing or electrical related connections, of any of our products including Walk-In Baths, shower pans or shower stalls. Improper or negligent installation of the product or other components, alterations or medications to the system, may cause the product or the system to malfunction. Such problems are not covered by warranty. Manufacturer warranties the door seal for the life of the unit under normal use and conditions. This warranty shall not apply to any failure resulting from negligence, abuse, misuse, misapplication, alternation, or medication or improper maintenance.

The replacement door seal will be issued to the end user and it will be the responsibility of the end user to determine the means of installation. Manufacturer will not be liable for any incidental expenses or material charges in connection with removal or replacement of the door seal.

NOTE: TO THE EXTEND PERMITTED BY LAW, ALL IMPLIED WARRANTIES INCLUDING THOSE OF MERCHANT ABILITY AND FITNESS FOR A PARTICULAR PURPOSE ARE HEREBY DISCLAIMED. Universal Walk-In Bathtubs AND SELLER HEREBY DISCLAIM ANY LIABILITY FOR SPECIAL, INCIDENTAL, OR CONSEQUENTIAL DAMAGES.

Some states/provinces do not allow limitations on how long an implied warranty lasts, or the exclusion or limitation special, incidental or consequential damages, so these limitations and exclusions may not apply to you. This warranty gives you specific legal rights. You may have other rights, which vary by state/province. All lawsuits must be filed in Florida. Tub units are for residential use only.

RETURN POLICY

RETURN POLICY

Universal Walk-In Bathtubs® is committed to providing premium customer service. In the event that a product must be returned due to reasons other than defects, as mentioned in the warranty, the following procedures apply:

Requests for returns and/or exchanges must be made within **30 days** of receipt of product. The product must be in its original packaging and received at Universal Walk-In Bathtubs® in saleable condition. All returns will receive a **20% restocking fee** plus all **freight costs** of the original shipment and return shipment to Universal Walk-In Bathtubs®.

All requests for return must first be approved by Universal Walk-In Bathtubs® and have an assigned **Returned Merchandise Authorization number (RMA#)**.

PRODUCT REGISTRATION

PRODUCT REGISTRATION CARD

The completed card should be cut out or copied, completed, and mailed to:

UNIVERSAL WALK-IN BATHTUBS

5701 NW 35 Avenue
Miami, FL 33142

OPERATING INSTRUCTIONS

PRODUCT REGISTRATION

Universal Walk-In Bathtubs™ Product Registration Card

Name Address
City State Zip Phone
Date of Purchase..... Dealer Address
Installed by Address State
Phone State..... Zip.....

I have read the **Universal Walk-In Bathtubs™** Owner's Manual carefully and understand and agree that any installation, operation or maintenance of the walk-in bath tub must be done strictly in accordance with instructions and guidelines contained in the **Universal Walk-In Bathtubs™** owner's manual and installation guide.

Signature _____ **Date** _____

universal tubs
your doorway to independent bathing

INSTALLATION & OPERATING INSTRUCTIONS

INSTALLATION & OPERATING INSTRUCTIONS

universal tubs
your doorway to independent bathing