

USER'S MANUAL AND OPERATING INSTRUCTIONS



C US

ANS Z21.58b-2012 CSA 1.6b-2012
Outdoor Cooking Gas Appliance

Assembler/Installer: This manual contains important information necessary for the proper assembly and safe use of this appliance. Read and follow all warnings and instructions before assembling and using this appliance. **Leave these instructions with the consumer.**

Consumer/User: Follow all warnings and instructions when using this appliance.
Retain these instructions for future reference.

⚠ DANGER:

If you smell gas:

1. Shut off gas to the appliance.
2. Extinguish any open flame.
3. Open Lid.
4. If odor continues, keep away from the appliance and immediately call your gas supplier or your fire department.

⚠ WARNING:

1. Do not store or use gasoline or other flammable liquids or vapors in the vicinity of this or any other appliance.
2. An LP cylinder not connected for use shall not be stored in the vicinity of this or any other appliance.
3. This grill is for outdoor use only, and shall not be used in a building, garage, under overhangs or any other enclosed area.
4. Do not leave a lit grill unattended. Keep children and pets away from the grill at all times.

Questions, problems, missing parts? Before returning to your retailer, call our customer service department at 1-877-447-4768, 8:30 a.m. – 4:30 p.m., CST, Monday – Friday or e-mail us at customerservice@ghpgroupinc.com.



NO NEED TO RETURN TO THE STORE

Questions With The Assembly?
Require Parts Information?
Product Under Manufacturers Warranty?

Call Toll Free : 1-877-447-4768
8:30 a.m. – 4:30 pm CST, Monday – Friday

Retain This Owner's Manual And Proof Of Purchase For Future Reference

To help us help you

Fill in the information below:

Date of Purchase

Place of Purchase

Model Number

Product Serial No.

MODEL NUMBER AND PRODUCT SERIAL NUMBER CAN BE FOUND ON
THE RATING LABEL OF YOUR GRILL.

TABLE OF CONTENTS

Safety Information 2 - 3

Package Contents 4 - 5

Illustrated Parts List 6 - 7

Hardware Contents 7

Preparation 7

Assembly Instructions 8 - 16

Operation Instructions 17 - 21

Care and Maintenance 22 - 26

Troubleshooting 27 - 28

Replacements Parts List 29 - 31

Warranty 32



SAFETY INFORMATION

Please read and understand this entire manual before attempting to assemble, operate or install the product. If you have any questions regarding the product, please call customer service at 1-877-447-4768, 8:30 a.m. – 4:30 pm CST, Monday – Friday

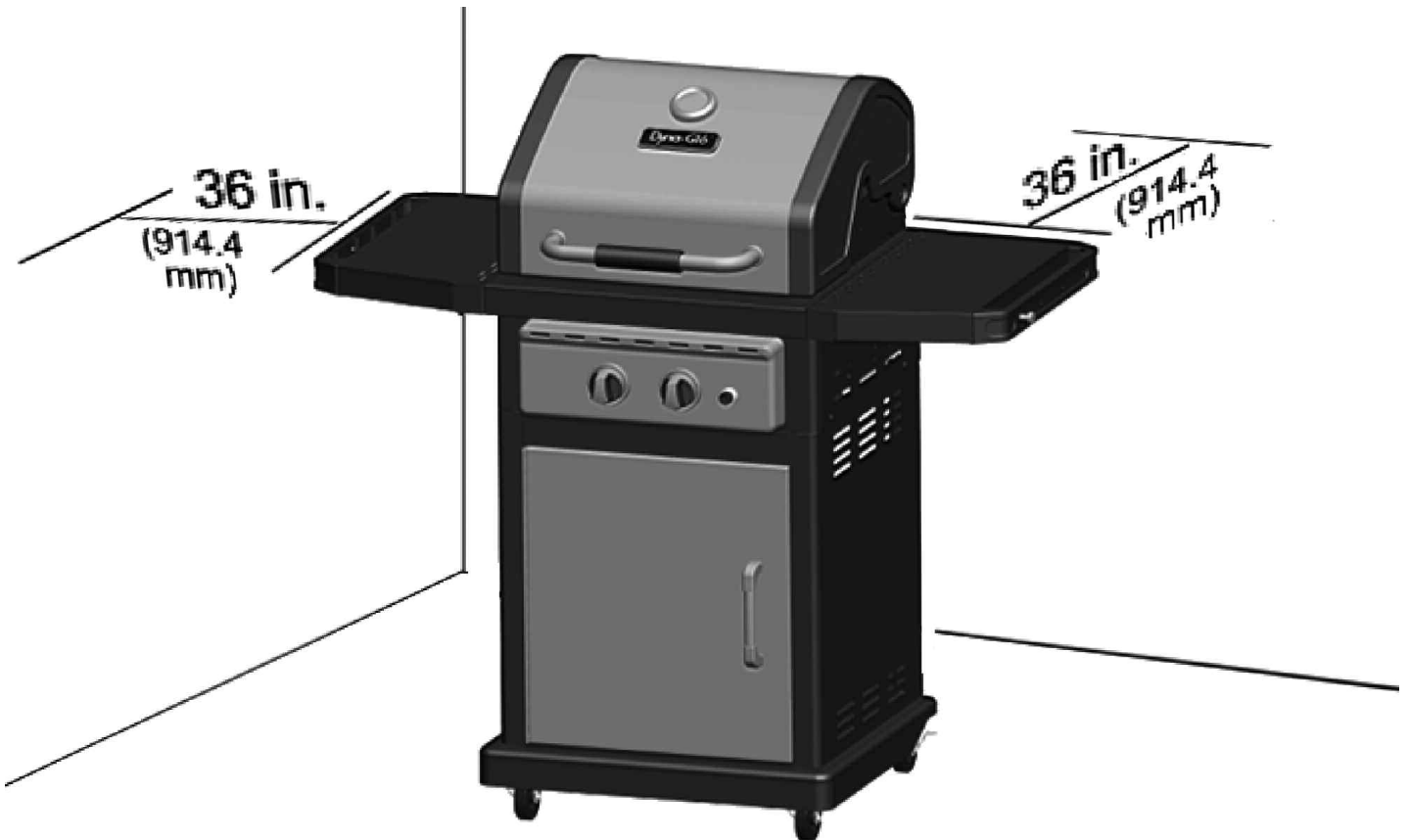
1. DO NOT store or use gasoline or any other flammable vapors and liquids within 25 feet (8 m) of this or any other appliance.
2. An LP Cylinder not connected for use should be stored a minimum of 10 feet (3 m) away from this or any other appliance.
3. This grill is for use with propane gas only (propane gas cylinder not included).
4. Never attempt to attach this grill to the self-contained propane system of a boat, camper trailer, motor home or house.
5. Never use charcoal or lighter fluid with the grill.
6. Do not use gasoline, kerosene or alcohol for lighting. The LP gas supply cylinder used with this appliance must be:
 - (a) Constructed and marked in accordance with the Specifications for LP-Gas Cylinders of the U.S. Department of Transportation (D.O.T.) or the National Standard of Canada, CAN/CSA-B339, Cylinders, Spheres and Tubes for Transportation of Dangerous Goods; and Commission, as applicable; and
 - (b) Provided with a listed overfilling prevention device.
 - (c) Provided with a cylinder connection device compatible with the connector for outdoor cooking appliances. This grill is not intended to be used in or installed on recreational vehicles and/or boats.
7. Do not attempt to move the grill while it is lit or when it is hot. The casters should be locked when not moving the grill.
8. Do not use the grill unless it is completely assembled and all parts are securely fastened and tightened.
9. Keep all combustible items and surfaces at least 36 inches (91.44 cm) away from the grill at all times.
10. Do not use in an explosive atmosphere. Keep grill area clear and free from combustible materials, gasoline and other flammable vapors and liquids.
11. Do not touch metal parts of grill until it has completely cooled (about 45 minutes) to avoid burns, unless you are wearing protective gear (pot holders, gloves, BBQ mittens, etc...).
12. Do not alter this grill in any manner.
13. Clean and inspect the hose before each use. If there is evidence of abrasion, wear, cuts, or leaks, the hose must be replaced prior to operating the appliance. The replacement hose assembly will be that which is specified by GHP Group, listed in the repair parts list in this manual.
14. Move gas hoses as far away as possible from hot surfaces and dripping hot grease.
15. Never keep a filled container in a hot car or car trunk. Heat will cause the gas pressure to increase, which may open the relief valve and allow gas to escape.
16. Keep the grill's valve compartment, burners and circulating air passages clean. Inspect the grill before each use. Do not obstruct the flow of gas or ventilation air.
17. The use of alcohol, prescription or non-prescription drugs may impair the operator's ability to properly assemble or safely operate the grill.
18. Always open grill lid slowly and carefully as heat and steam trapped within the grill can burn you severely.
19. **Do not leave a lit grill unattended. Keep children and pets away from the grill at all times.**
20. Do not place this grill on any type of tabletop surface. The grill should be placed on a flat and level surface.
21. Do not use the grill in high winds.
22. Do not modify this grill for use with other indoor or outdoor fixtures, such as countertops or drop-in grill islands.
23. Do not use this grill indoors.



SAFETY INFORMATION

! WARNING

Do not place the grill under overhead combustible construction or awnings. Minimum clearance from sides and back of unit to combustible construction, 36 inches (914.4mm) from sides and back.



NOTE: The installation must conform with local codes or, in the absence of local codes, with either the National Fuel Gas Code, ANSI Z223.1/NFPA 54, Natural Gas and Propane Installation Code, CSA B149.1, or Propane Storage and Handling Code, B149.2.

CALIFORNIA PROPOSITION 65

Fuels used in gas or oil fired appliances and the products of combustion of such fuels, contain chemicals known to the State of California to cause cancer, birth defects or other reproductive harm. This product contains chemicals, including lead and lead compounds, known to the state of California to cause cancer, birth defects or other reproductive harm. ***Wash hands after handling.***



LP Gas Grill

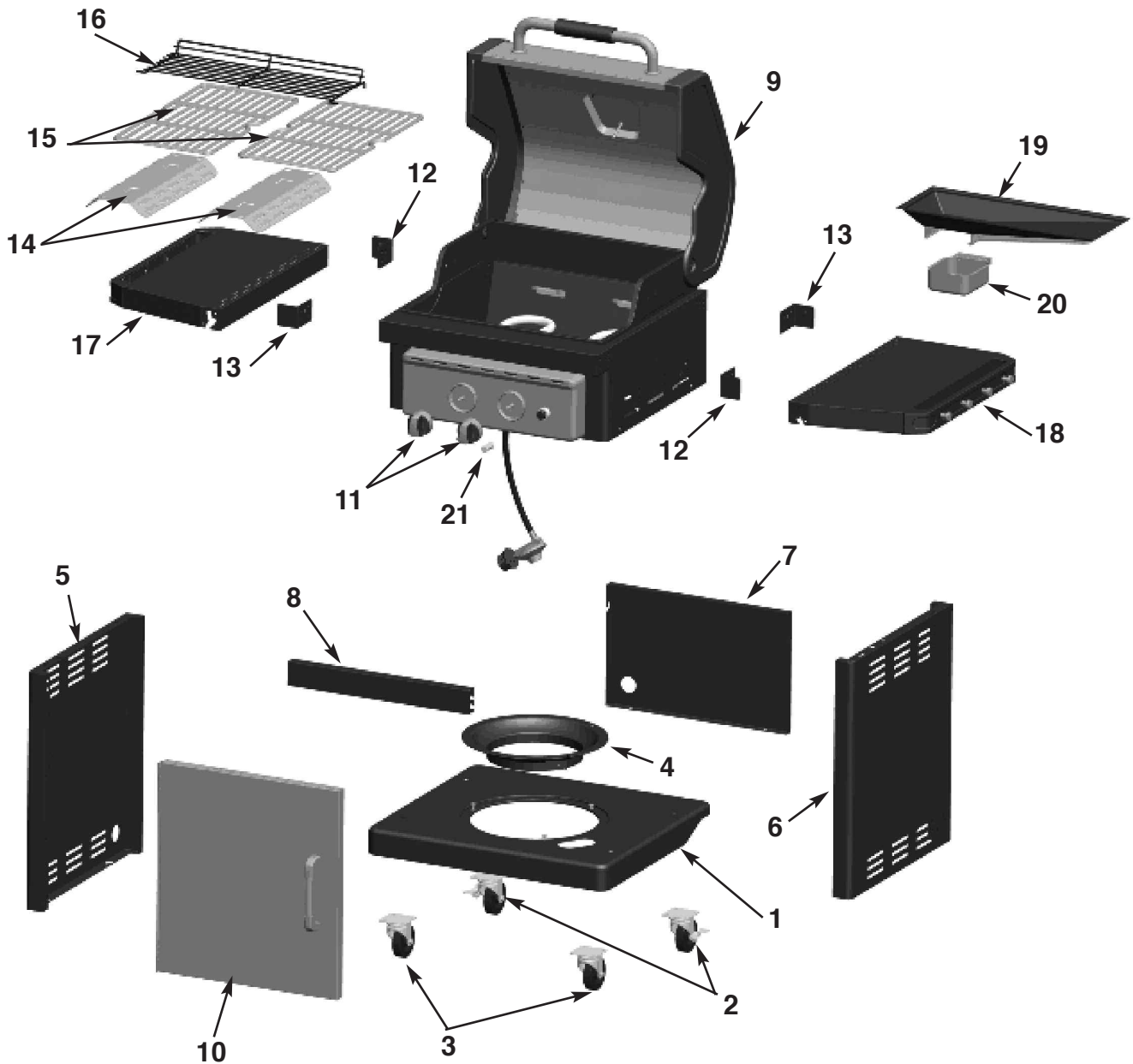
PACKAGE CONTENTS

BEFORE STARTING ASSEMBLY, UNPACK CARTON AND VERIFY CONTENTS. COMPARE ENCLOSED PARTS WITH PACKAGE CONTENTS LIST AND DIAGRAM. IF ANY PART IS MISSING OR DAMAGED, DO NOT ATTEMPT TO ASSEMBLE THE PRODUCT. CONTACT CUSTOMER SERVICE FOR REPLACEMENT PARTS.

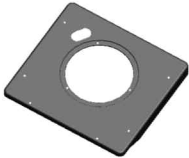






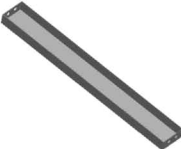






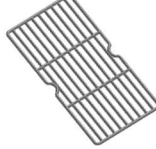
1-877-447-4768 8:30 a.m. – 4:30 pm CST, Monday – Friday.

Part No.	Description	Qty	Part No.	Description	Qty
1	Bottom Shelf	1	12	Side Table Support 1	2
2	Locking Caster	2	13	Side Table Support 2	2
3	Caster	2	14	Heat Tent	2
4	Tank Seat	1	15	Cooking Grate	2
5	Cart Left Side Panel	1	16	Warming Rack	1
6	Cart Right Side Panel	1	17	Left Side Table	1
7	Cart Rear Panel	1	18	Right Side Table	1
8	Upper Front Door Brace	1	19	Grease Pan	1
9	Grill Body	1	20	Grease Cup	1
10	Door Assembly	1	21	AAA Battery	1
11	Control Knob	2			

PACKAGE CONTENTS



ILLUSTRATED PARTS LIST

<p>Bottom shelf</p>  <p>1</p>	<p>Locking caster</p>  <p>2</p>	<p>Caster</p>  <p>3</p>
<p>Tank seat</p>  <p>4</p>	<p>Cart left side table</p>  <p>5</p>	<p>Cart right side table</p>  <p>6</p>
<p>Cart rear panel</p>  <p>7</p>	<p>Upper front door brace</p>  <p>8</p>	<p>Grill body</p>  <p>9</p>
<p>Door assembly</p>  <p>10</p>	<p>Control knob</p>  <p>11</p>	<p>Side table support 1</p>  <p>12</p>
<p>Side table support 2</p>  <p>13</p>	<p>Heat tent</p>  <p>14</p>	<p>Cooking grate</p>  <p>15</p>

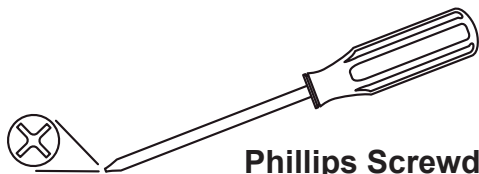
ILLUSTRATED PARTS LIST

Warming rack 16	Left side table 17	Right side table 18
Grease pan 19	Grease cup 20	AAA Battery 21

HARDWARE CONTENTS

Part No.	Description	Qty	Fig
A	M6 x 12 Screw	31	
B	M4 x 10 Screw	4	
C	M6 x 20 Round Head Screw	4	
D	M5 x 12 Screw	16	
E	Spring Washer	16	
F	Flat Washer	16	

Tools Required for Unpacking, Assembly and Leak Testing of This Product:



Phillips Screwdriver



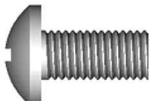

Spray Bottle

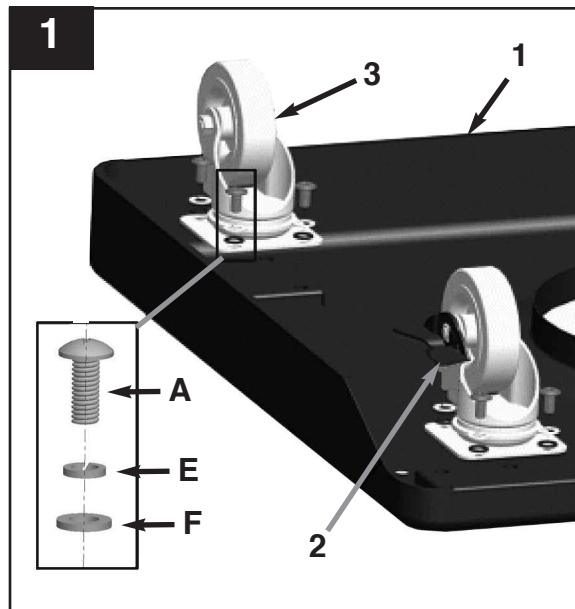
Estimated Assembly Time: 30-45 minutes

ASSEMBLY INSTRUCTIONS

1. Locate the two locking casters (2) and the two non-locking casters (3). Secure the two locking casters (2) to the rear (area of bottom shelf with cut away) of the bottom shelf (1) using four screws (A) inserted through four spring washers (E), then through four plain washers (F) and into the threaded holes on the bottom shelf (1). Secure the two non-locking casters (3) to the front of the bottom shelf (1) using four screws (A) inserted through four spring washers (E), then through four plain washers (F) and into the threaded holes on the bottom shelf (1). Tighten all screws.

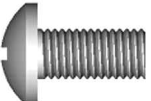
Hardware Used

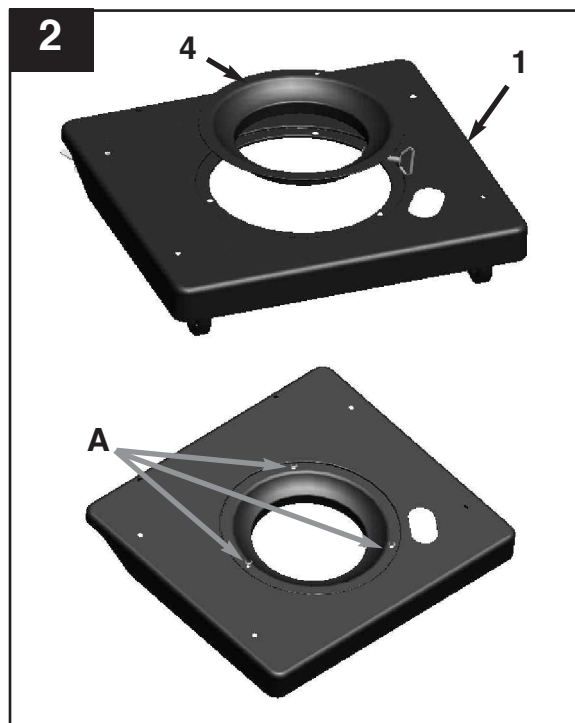
A	M6 x 12 Screw		x16
E	Spring Washer		x16
F	Plain Washer		x16



2. Secure the tank seat (4) to the bottom shelf (1) with three screws (A).

Hardware Used

A	M6 x 12 Screw		x3
----------	---------------	---	----

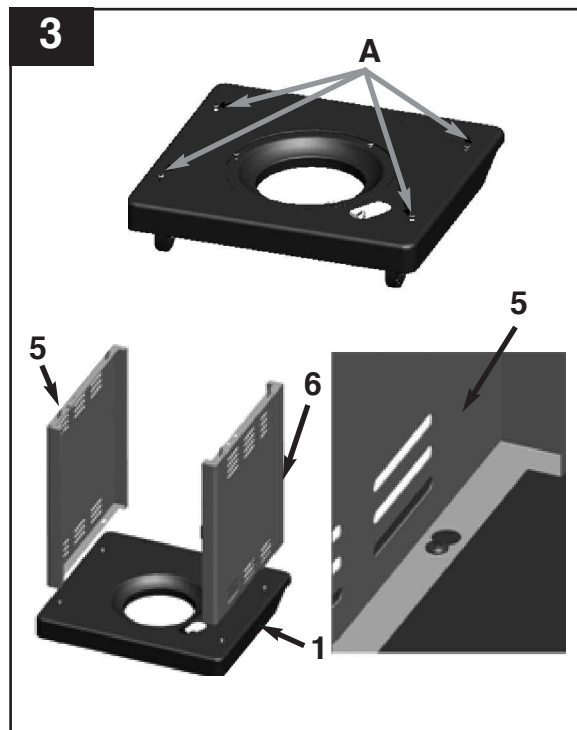


ASSEMBLY INSTRUCTIONS

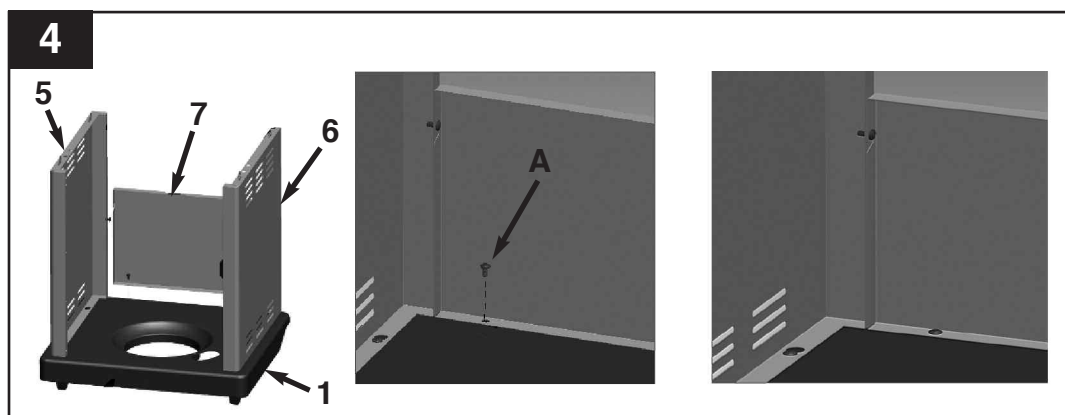
3. Insert 4 screws (A) halfway into threaded holes in bottom shelf (1). Attach the cart left side panel (5) by placing the panel keyholes over the screw heads (A) on left side of bottom shelf (1). Slide the cart left side panel (5) so that the screw head is over the smaller part of the keyhole. Thread the screw (A) down snug but do not tighten as a little wiggle room will be necessary in following assembly steps. Repeat with cart right side panel (6).

Hardware Used


A M6 x 12 Screw  x4



4. Insert one screw (A) halfway into the middle rear threaded hole of each of the cart left side and right side panels (5&6). Attach the cart rear panel (7) by sliding the keyholes in the cart rear panel (7) over the inserted screws. Slide the rear cart panel (7) down to meet bottom shelf (1). Secure the cart rear panel (7) to the bottom shelf (1) with 2 screws (AA). Tighten all screws, including the 4 screws in cart side panels (5 and 6).

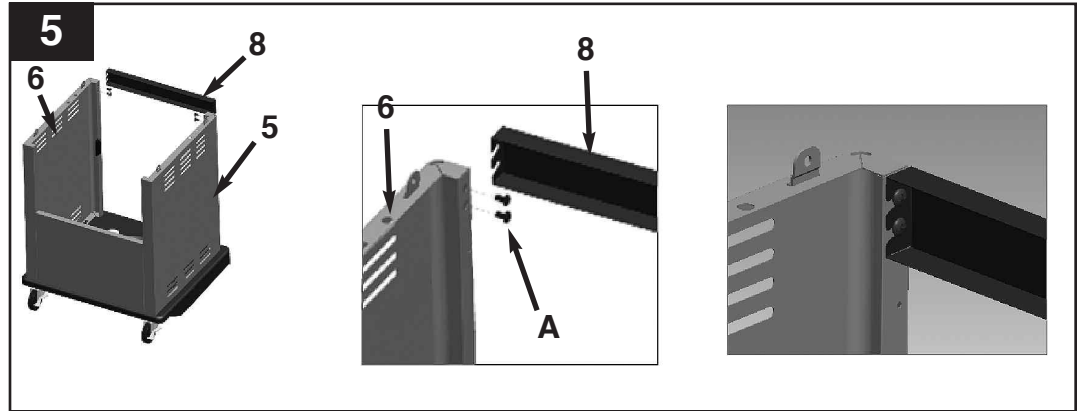


Hardware Used

A M6 x 12 Screw  x4

ASSEMBLY INSTRUCTIONS

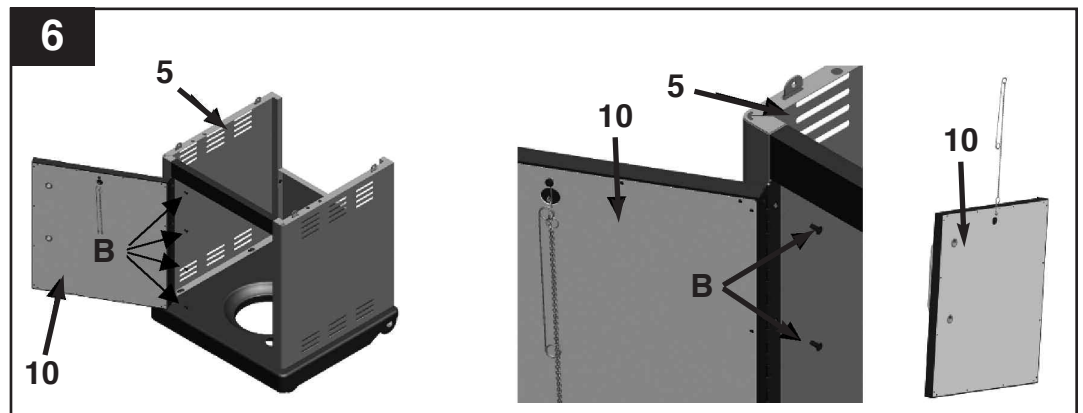
5. Insert 2 screws (A) halfway into the top front threaded holes of both the cart left side panel (5) and the cart right side panel (6). Attach the upper front door brace (8) by sliding the cut-outs in the front door brace (8) over the 4 screws (A) and tightening all 4 screws (A).



Hardware Used



6. Attach the door assembly (10) to the assembled cart body by aligning the holes in the hinge of the door assembly with the holes in the cart left side panel (5), inserting 4 screws (B) and tightening. Adjust the door assembly (10) clearance to the cart body by slightly loosening the 4 screws (B), aligning the door assembly (10) with the cart body, then tightening all screws (B) securely.

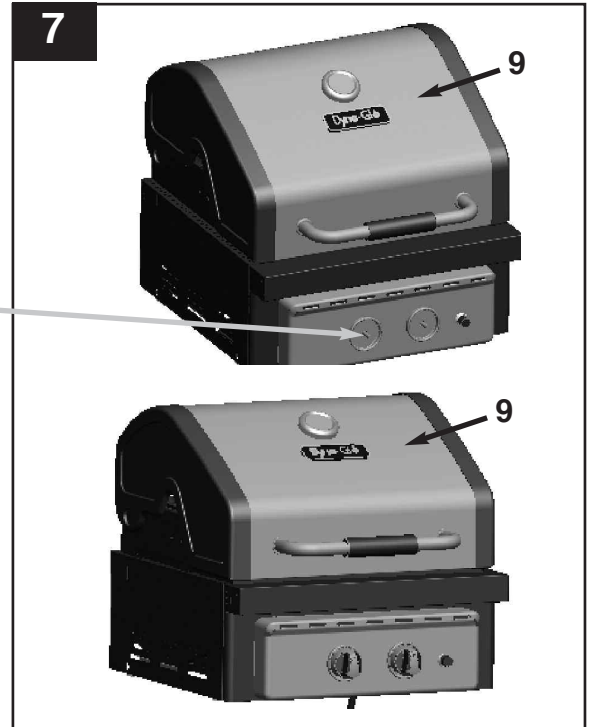


Hardware Used

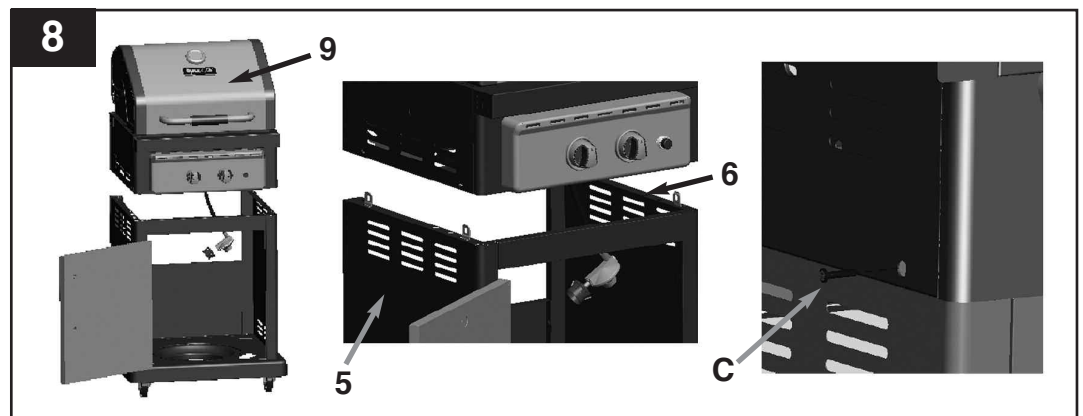


ASSEMBLY INSTRUCTIONS

7. Slip control knobs (11) onto the valve stems located on the front control panel of the grill body (9).



8. Carefully place the grill body (9) over the mounting tabs on the cart side panels (5 and 6) and onto the cart. Adjust the grill body (9) so that the holes in the grill body (9) are aligned with the holes in the tabs of the cart side panels (5 and 6). NOTE: Make sure the gas hose is inside the cart. Fasten the grill body (9) using 2 screws (C) on each side.



Hardware Used


C M6 x 20 Screw  x4

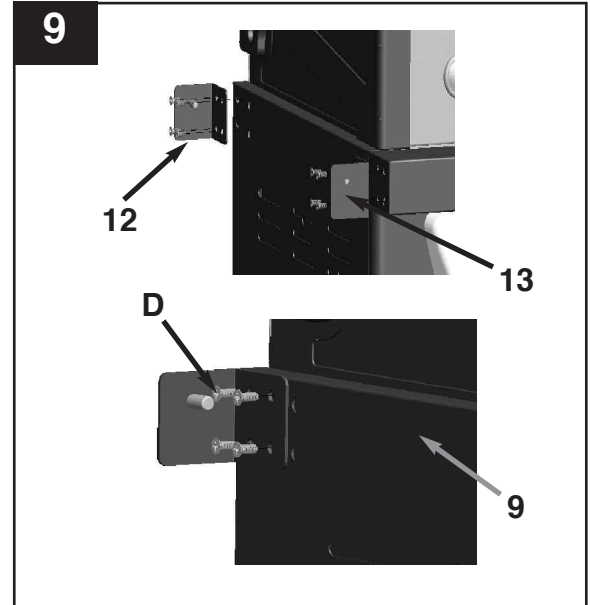
ASSEMBLY INSTRUCTIONS

9. *NOTE: Side Table Supports 1 (12) will be used for both the right side front and left side rear placement. Side Table Supports 2 (13) will be used for both the right side rear and left side front placement.*

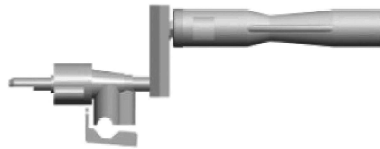
Install the side table supports 1 (12) and side table supports 2 (13) on both sides of the grill body with screws (D). Arrows cut out of the supports indicate the correct position of the support when fastened to the grill body (9).

Hardware Used

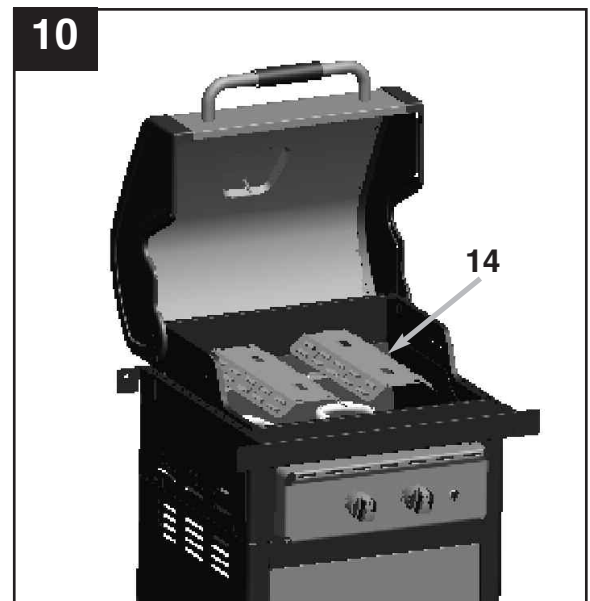
D M5 x 12 Screw  x16



! WARNING: IT IS VERY IMPORTANT TO CHECK AND ENSURE THAT EACH AND EVERY BURNER IS FULLY ENGAGED WITH THE ADJACENT VALVE ORIFICE BEFORE COMPLETING STEP 10. FAILURE TO DO SO MAY RESULT IN FIRE OR EXPLOSION, POSSIBLY CAUSING SERIOUS INJURY OR DEATH. REFER TO MAINTENANCE SECTION INSTRUCTIONS TO PROPERLY CHECK THE ENGAGEMENT.



10. Open the lid and place the two heat tents (14) on the brackets directly above the burners.

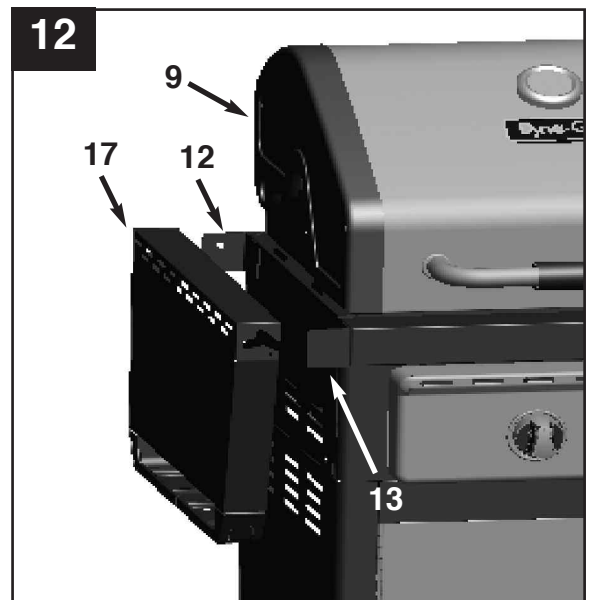


ASSEMBLY INSTRUCTIONS

11. Place cooking grates (15) on the grill body braces and grill rear panel, then insert the warming rack (16) into the 2 holes located on the back edge of the grill body (9).

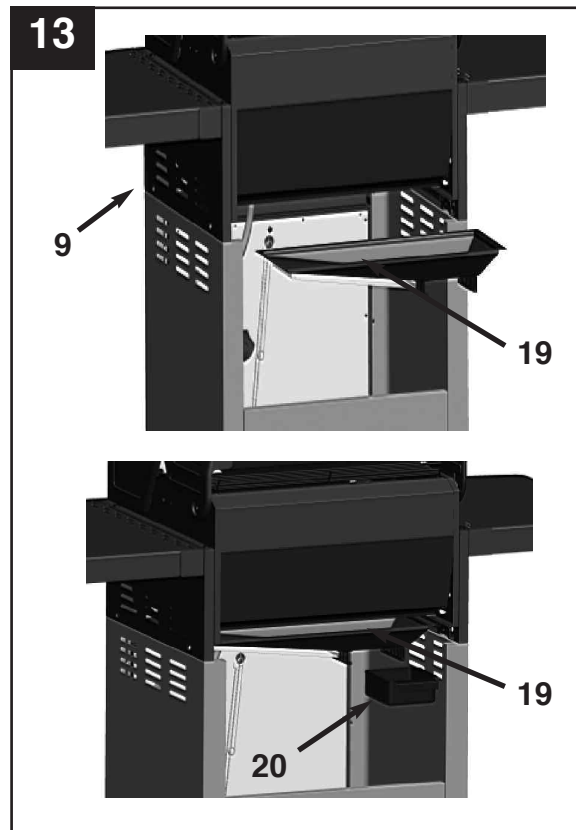


12. With the left side table (17) in a perpendicular position, align the slots in the left side table (17) with the side table supports (12 and 13) and insert. To lock the left side table (17) in the upright position, swing the left side table (17) 90 degrees up, push towards the grill body (9), and press down on the left side table (17) near the grill body until it is fully fastened in place. Repeat with the right side table (18).



ASSEMBLY INSTRUCTIONS

13. Insert the grease pan (19) into position by sliding it in the grill body (9) from the rear, along the rails located just below the underside of the grill body (9). Insert the grease cup (20) into position by sliding it onto the rails located on the bottom side of the grease pan (19).

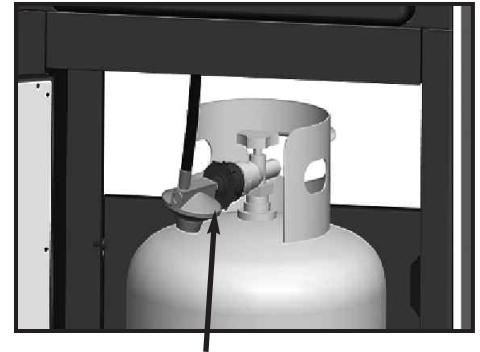


14. Remove the igniter cap by turning it counter-clockwise. Insert the AAA battery (21) into the igniter body with Positive “+” end facing out. Replace the igniter cap.



ASSEMBLY INSTRUCTIONS

15. Open the cart door and insert the LP gas cylinder (sold separately) into the nesting hole located in the bottom shelf. Align the hand screw coupling of the hose/regulator with the threaded valve of the cylinder by turning the LP gas cylinder until positioned correctly. Hand tighten the hose/regulator coupling to the threaded valve of the LP gas cylinder. Tighten the tank screw until the cylinder is secure inside the nesting hole of the tank shelf.



Hose/regulator coupling



Tank screw

CHECKING FOR LEAKS

After all connections are made, check all connections and fittings on the LP gas tank valve, gas hose and regulator for leaks with a water and soap solution.

To prevent fire or explosion while testing for a leak:

- Always perform leak test prior to lighting the grill.
- Do not smoke while testing for a leak.
- Always perform leak tests outdoors in a well ventilated area.
- Do not use any source of flame while testing for leaks.
- Do not use the grill until any and all leaks are corrected.
- If you are unable to correct a leak, disconnect the propane supply and call a gas appliance service dealer.

PERFORM LEAK TEST

- Prepare leak test solution by combining 1 part liquid dish soap with 3 parts water. Total solution required is approximately 2-3 oz. (70-90ml.). Put leak test solution in a spray bottle.
- Ensure all control knobs are in the 'OFF' position.
- Open LP gas tank valve.
- Spray leak test solution on all gas carrying connections and fittings. Presence of bubbles at areas of applied test solution indicates a gas leak. If leaks are detected or you smell or hear gas, shut off the LP gas tank immediately and repair or replace the defective part. Do not use the grill until all leaks are corrected.

ASSEMBLY INSTRUCTIONS

Fully Assembled

Front View



Rear View



OPERATION INSTRUCTIONS

! CAUTION :

**Only use the regulator and hose assembly provided!
If a replacement is necessary, please call our customer service center.
Do not use replacement parts that are not intended for this grill.**

Connecting Gas Cylinder:

The propane gas supply cylinder to be used must be constructed and marked in accordance with the Specifications for LP Gas Cylinders of the U.S. Department of Transportation (D.O.T.) or the National Standard of Canada, CAN/CSA-B339, Cylinders, Spheres and Tubes for Transportation of Dangerous Goods; and Commission, as applicable; and Provided with a listed overfilling prevention device.

Use only 20-pound cylinders (Height 18.11", Diameter Tank 9.84", Diameter foot: 8.03") equipped with a cylinder connection device compatible with the connection for outdoor cooking appliances. The cylinder must include a collar to protect the cylinder valve. The gas cylinder should not be dropped or handled roughly!

If the appliance is not in use, the gas cylinder must be disconnected. Storage of an appliance indoors is permissible **ONLY** if the cylinder is disconnected and removed from the appliance. Cylinders must be stored outdoors out of the reach of children and must not be stored in a building, garage or any other enclosed area. Your cylinder must never be stored where temperatures can reach over 125°F.

Place dust cap on cylinder valve outlet whenever the cylinder is not in use. Only install the type of dust cap on the cylinder valve outlet that is provided with the cylinder valve. Other types of caps or plugs may result in leakage of propane.

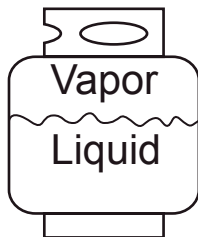
Before connection, be sure that there is no debris caught in the outlet of the gas cylinder, outlet of the regulator valve or in the outlet of the burner and burner ports. Connect regulator valve and hand-tighten firmly. Disconnect the propane cylinder from the regulator valve when the grill is not in use.

DO NOT obstruct the flow of combustion air and ventilation air to the grill. The propane cylinder must be arranged for vapor withdrawal and equipped with a listed overfilling prevention device. Please put the proper cylinder orientation to provide vapor withdrawal.

OPERATION INSTRUCTIONS

! WARNING :

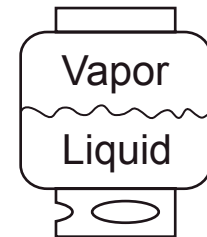
The cylinder must be fully upright for the cylinder to have vapor withdrawal only.



Correct



Wrong



Wrong

! CAUTION

- a. Do not store a spare LP-gas cylinder under or near this appliance.
- b. Never fill the cylinder beyond 80 percent full.
- c. If the information in (a) & (b) is not followed exactly,
a fire causing death or serious injury may occur.

OPERATION INSTRUCTIONS

Connecting the LP Tank

⚠ WARNING : ALL INSTRUCTIONS AND SAFEGUARDS ON THIS PAGE MUST BE FOLLOWED TO PREVENT FIRE, DAMAGE AND/OR INJURY.

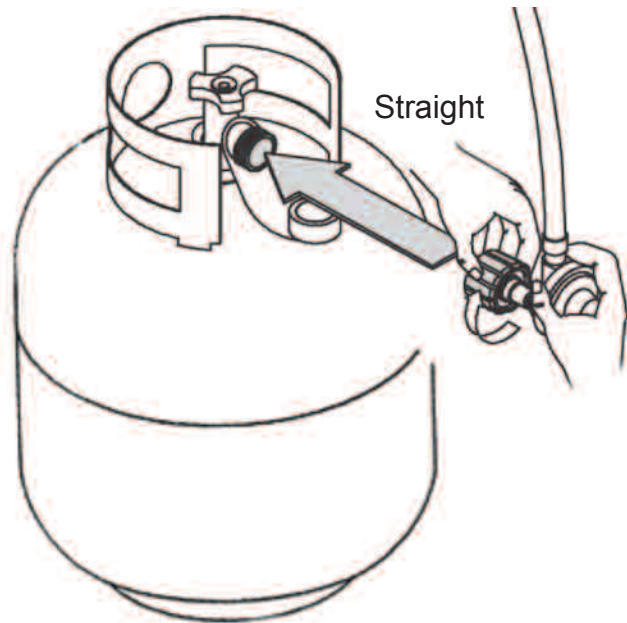
1. The knob on the LP tank must be closed. Make sure that the knob is turned clockwise ↻ to a full stop. The cylinder supply system must be arranged for vapor withdrawal.
2. Check that the control knob on the control unit is turned off.
3. Remove the protective cap from the LP tank valve and coupling nut.
4. Hold the regulator in one hand and insert the nipple into the valve outlet. Be sure the nipple is centered in the valve outlet. The coupling nut connects to the large outside threads on the valve outlet. Use care – do not cross thread the connection.
5. Hand-tighten the coupling nut clockwise ↻ until it comes to a full stop. Firmly tighten by hand only. Do not use tools.

To Disconnect: Fully close the tank valve by turning clockwise ↻. Turn the coupling nut counterclockwise ↻ until the regulator assembly detaches.

⚠ WARNING

In the connection process, make sure:

- the regulator inlet connector mates with the cylinder valve outlet properly, safely and firmly, and;
- the LP-Gas hose does not come in contact or remain in contact with the firebox.



OPERATION INSTRUCTIONS

Lighting The Grill

Before first use:

Remove all hangings or plastic straps, if present. Before you cook on your new gas grill, it is important to clean your grill with heat. To do this, operate the grill for approximately 15 minutes with the lid closed and the control knob in the highest position. This will clean the internal parts by burning off any residue and odor from the manufacturing process.

⚠ CAUTION

If the flame extinguishes accidentally during ignition or operation, immediately TURN OFF the cylinder valve and then TURN OFF the control knob.

⚠ WARNING

Do not lean over grill when lighting. Read instructions before lighting.

1. Check that the control knobs are in the ● OFF position.
2. Open valve at tank fully by turning ↺ counter-clockwise.
3. Open lid during lighting.
4. Push igniter down 3 to 4 seconds while turning right side control knob to the 🔥 HIGH position. The burner should ignite.
If ignition does not take place within 5 seconds, immediately turn the control knob to the ● OFF position. Wait 5 minutes and repeat step 4 above or refer to match lighting instructions below.
5. Repeat step 4 above to ignite left side burner.




If the burner still does not light, check that there is gas in the cylinder and follow the match lighting instructions.

OPERATION INSTRUCTIONS



⚠ WARNING

Do not lean over grill when lighting. Read instructions before lighting.

LIGHTING THE GRILL WITH A MATCH

1. Insert a match in the end of the match holder that is installed on the inside of the cabinet door.
2. Light the match.
3. Immediately place the lit match through the 20mm (0.75 in.) hole on the side of the grill body, nearest the left burner. Make sure the lit match is close to the burner ports.
4. Press in the control knob that operates the left burner and rotate counter-clockwise  to  High position and burner should light immediately.
5. The other main control can now be turned on the  High position and will light via crossover port.
6. Adjust burners to desired cooking settings.

SHUTDOWN INSTRUCTIONS


1. Turn control knobs clockwise  to the off position. ●
2. Close valve at tank fully by turning clockwise. 
3. Close lid.

Turn off LP supply at cylinder when appliance is not in use.

CARE AND MAINTENANCE


Cooking Grates

The best time to 'burn-off' the cooking grates is after every use (approx. 15 minutes). The grill is already hot from cooking thus requiring less fuel to obtain necessary temperature for 'burn-off'.

To "Burn Off" or heat clean your grill, turn the burners to highest position  and run for 15 minutes with the lid closed. Then turn off the burners and use a wire brush to clean excess food residue from the grates.

The porcelain grates have an enamel finish (similar to glass) and should be handled with care not to chip.

Other Parts

 **CAUTION:** Ensure the grill is cool before cleaning and conducting maintenance and with the gas supply turned off at the LP-Gas cylinder.

Recommended Cleaning Supplies

Mild liquid dish soap, warm water, nylon cleaning pad, wire brush
DO NOT use cleaners that contain acid, mineral spirits or any abrasive substance.

Outside Surfaces

It is recommended to use only mild dish soap and hot water to clean grill and grill parts. Rinse with warm water.

Inside Bottom Pan of Grill Body

To avoid flare-ups, the bottom pan of the cooking box should be kept clean on a regular basis. Remove residue using a brush, scraper and/or cleaning pad. Wash with mild dish soap and warm water. Rinse with warm water. Avoid water splashing into vent tubes of burners.

Heat Tents

Clean residue with wire brush and wash with mild dish soap and warm water. Rinse with warm water.

Grease Cup

Empty the grease cup and clean with mild dish soap and warm water on a regular basis.

CARE AND MAINTENANCE

Burner Assembly

Removing The Burner Assembly

1. Make sure all control knobs are in the OFF position, ● LP tank valve is closed, and tank is disconnected from regulator and removed from grill.
2. Open lid and remove warming rack, cooking grates, and heat tents.

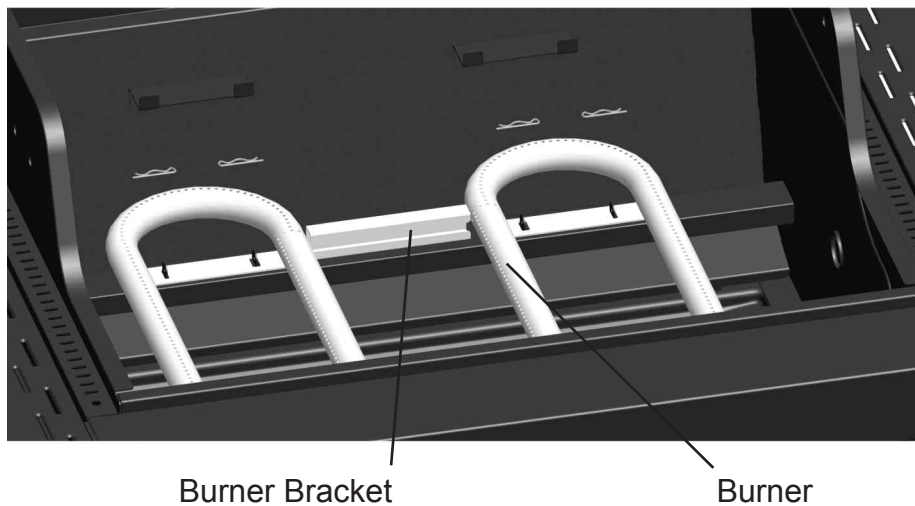


CARE AND MAINTENANCE

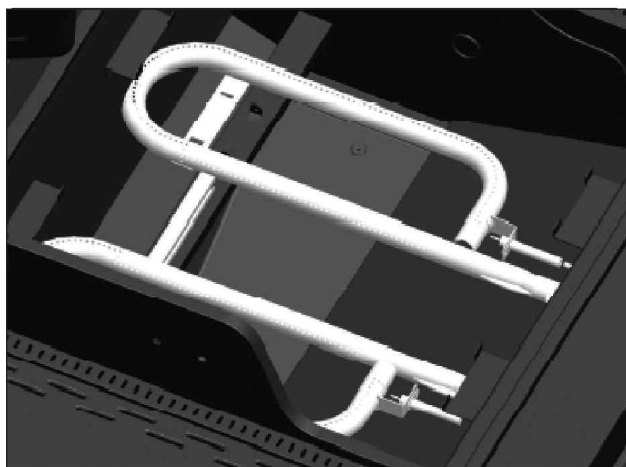
Burner Assembly

Removing The Burner Assembly (Continued)

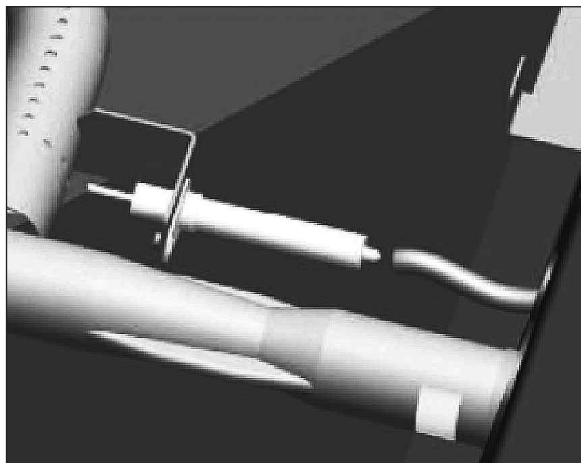
3. Remove screws at back of burners to detach burners from brackets.



4. Slide burners out of firebox as shown.



5. Detach ignition wire from ignitor as shown.



CARE AND MAINTENANCE

Burner Assembly

Cleaning the Burner Assembly – Make sure the grill is cool

1. Turn gas off at the control knobs and propane tank.
2. Disconnect LP-Gas cylinder from hose and regulator.
3. Remove warming rack, cooking grates and heat tents.
4. Detach burner by removing the screws at the back of the burners to detach them from the brackets.
5. Detach ignition wire from electrode by hand only. DO NOT use pliers or any other tool as it may damage the electrode or wire.
6. Lift burner slowly.
7. Ensure all burner ports are clear of clogs. Use of a pin or paper clip works well.
8. Ensure burner is free of any damage. If damage is found, replace with new burner.
9. Ensure the end of the burner and primary air screen are clear from insect nests, dirt or debris.

Re-installing the Burner

Ensure that gas valve orifices are correctly positioned inside burner inlet (venturi).

The use of a flashlight may be necessary to ensure the correct position.

It is recommended to view the correct position through the firebox vent holes as illustrated below.



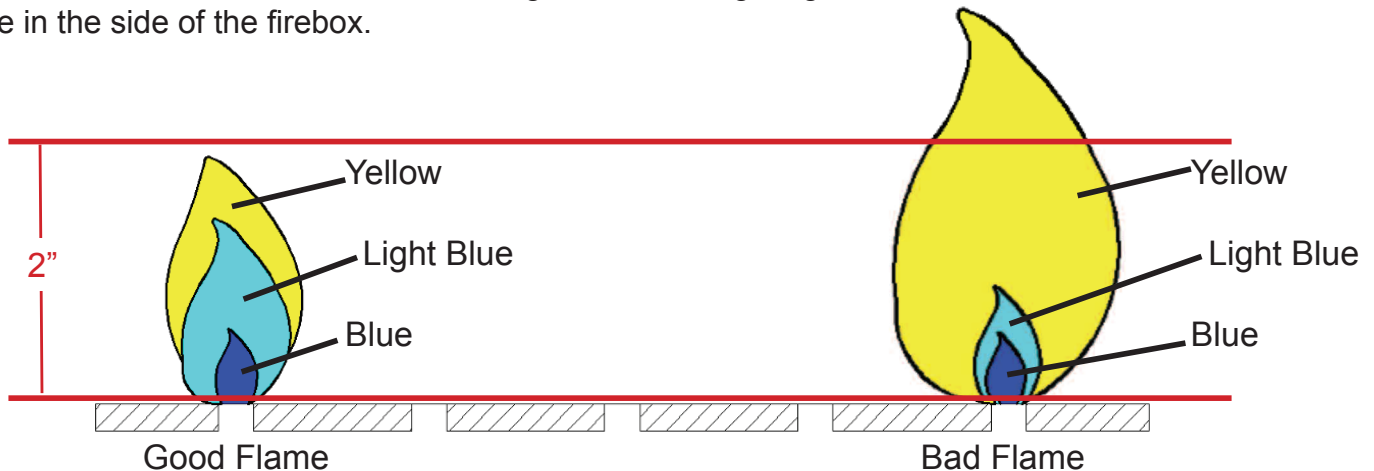
⚠ WARNING: If the instructions above are not followed, a fire or explosion may result, possibly causing serious bodily injury or death.

CARE AND MAINTENANCE

Checking The Flame

For maximum fuel efficiency and cooking performance, flame should be a blue-yellow color and be between 1- 2 inches high.

To check the flame, view the flame through the match lighting hole in the side of the firebox.



Other Care and Maintenance

It is recommended that inspection and service on this appliance be conducted annually by a qualified service person.

It is recommended that you regularly check that the outdoor cooking appliance area is clear and free from combustible material, gasoline and other flammable vapors and liquids.

It is recommended that you regularly check that the flow of combustion and ventilation air is not obstructed.

It is recommended that you regularly check that the ventilation openings of the cylinder enclosure (cabinet) are free and clear from debris.

It is recommended that you regularly check and clean the burner/venturi tubes for insects and insect nests. A clogged tube can lead to a fire beneath the grill.

The electronic ignition requires 1 “AAA” alkaline battery, which is included.

⚠ WARNING

DO NOT mix old and new batteries.


DO NOT mix alkaline, standard (Carbon-Zinc), or rechargeable (Nickel-Cadmium) batteries.

DO NOT dispose of batteries in fire. Improper disposal may cause batteries to leak or explode.

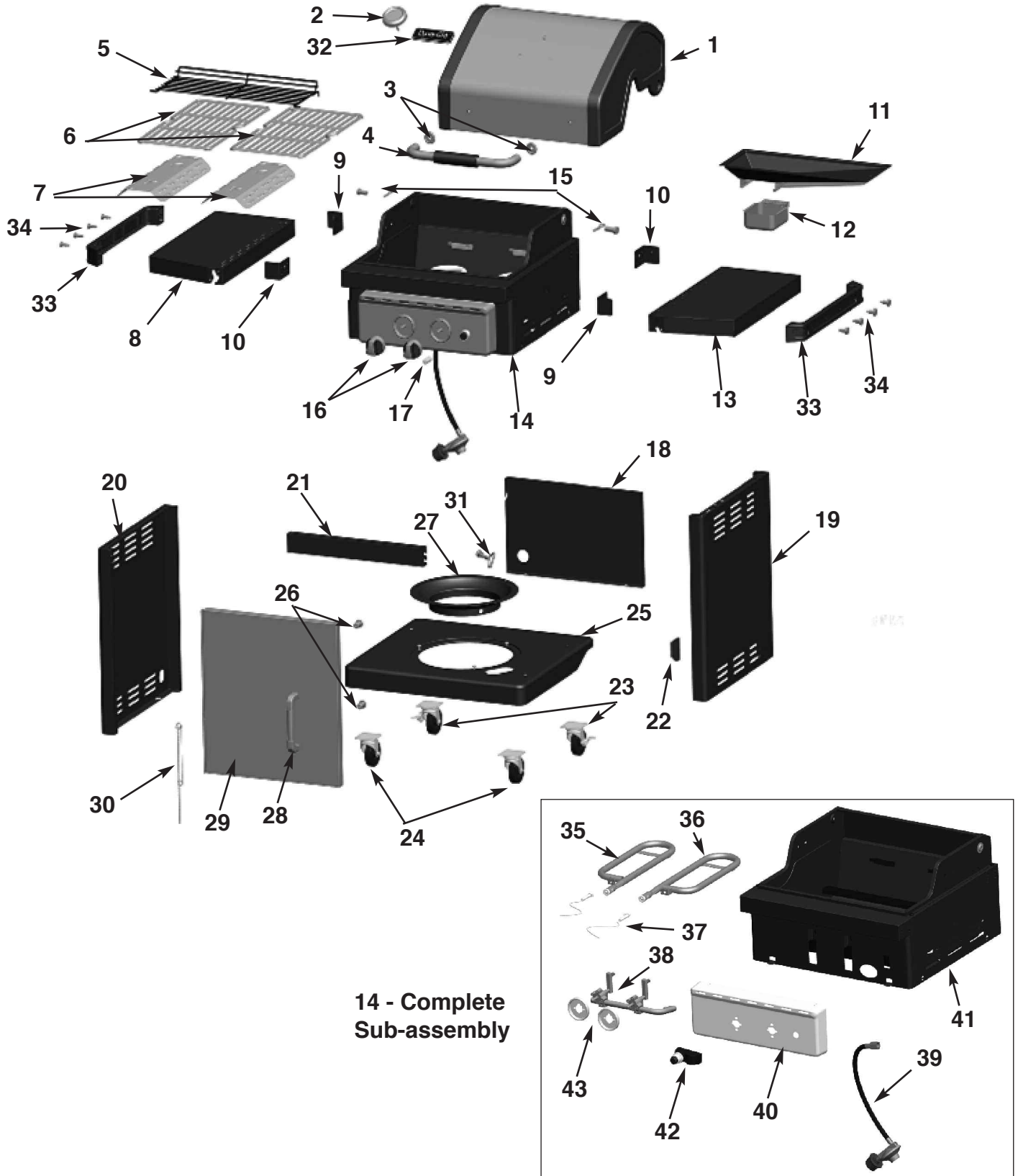
TROUBLESHOOTING

PROBLEM	POSSIBLE CAUSE	CORRECTIVE ACTION
<p>The burner will not light using the ignitor procedure (weak or no spark being generated).</p>	<ol style="list-style-type: none"> 1. The igniter electrode may be covered with grease or residue. 2. The igniter electrode may have a loose or disconnected wire. 3. Cracked or broken ignition electrode. 4. Dead battery or faulty battery connection. 	<ol style="list-style-type: none"> 1. Clean the ignitor electrode. 2. Check the connection and reconnect any loose or disconnected wires. 3. Replace ignition electrode (see Replacement Parts List). 4. Perform any of the following: <ol style="list-style-type: none"> a. Replace battery b. Check to see if battery is inserted correctly. c. Check for any corrosion around battery terminals. d. Check wire connections as stated above.
<p>Low Heat.</p>	<ol style="list-style-type: none"> 1. The LP-Gas regulator is equipped with an excess flow device that allows sufficient gas to the burners under normal circumstances. Rapid changes in pressure can trigger this device and prevent all but minimal flow of gas to the burner, causing a low flame and low heat output. This is typically caused by the LP-Gas cylinder valve being turned open when one or more burner valves (control knobs) is in the open position causing a surge of pressure that activates the excess flow device. 	<ol style="list-style-type: none"> 1. Follow these steps: <ol style="list-style-type: none"> a. Close the LP-Gas cylinder valve on the top of the cylinder. b. Make sure the burner valves are in the "OFF" position. c. Slowly open the LP-Gas cylinder valve and wait 10 seconds. d. Follow the lighting instructions.

TROUBLESHOOTING

PROBLEM	POSSIBLE CAUSE	CORRECTIVE ACTION
<p>The burner will not light with a match.</p>	<ol style="list-style-type: none"> 1. Match not reaching burners (when holding match with hand). 2. Empty tank. 3. Poor connection between valve regulator and LP cylinder coupling. 4. Burner inlet blocked. 	<ol style="list-style-type: none"> 1. Use match holder found in cabinet door. 2. Check fuel level and refill tank if necessary. 3. Turn off grill knobs, close the LP cylinder valve at top of cylinder and check the connection between the regulator valve and cylinder coupling. Disconnect and reconnect, if necessary. 4. Clean the burner inlet (venturi) and burner as described by the Care and Maintenance section in the Manual.
<p>No gas flow or an obstructed gas flow.</p>	<ol style="list-style-type: none"> 1. Tank valve not on or fully opened. 2. Empty tank. 3. Poor connection between valve regulator and LP cylinder coupling. 4. Burner inlet blocked. 	<ol style="list-style-type: none"> 1. Fully open tank valve by turning counterclockwise . 2. Check fuel level and replace fuel if necessary. 3. Turn off grill knobs, close the LP cylinder valve at top of cylinder and check the connection between the regulator valve and cylinder coupling. Disconnect and reconnect, if necessary. 4. Clean the burner inlet (venturi) and burner as described by the Care and Maintenance section in the Manual.

REPLACEMENT PARTS LIST



REPLACEMENT PARTS LIST

Ref. #	Description	Part #
1	Grill Lid assembly - DOES NOT include DynaGlo badge	112-02002
2	Temp gage and nut	102-02005
3	Bezel for 25mm lid handle (pack of 1)	101-12004
4	25mm Diameter lid handle – Includes screws to attached	112-12003
5	Warming rack	102-03012
6	Cooking grate	101-03011
7	Heat tent (pack of 1)	101-03005
8	Side table - left - DOES NOT include towel bar or tool hooks	112-04001
9	Collapsible shelf support (For either left side back or right side front)	101-04004
10	Collapsible shelf support (For either left side front or right side back)	101-04003
11	Grease Pan with heat shield	102-04013
12	Grease Cup	102-04014
13	Side table - right - DOES NOT include towel bar or tool hooks	112-04002
14	Firebox assembly - includes burners/LP Gas valve & manifold assembly/ LP Gas hose & reg/control panel/ignition wire and electrode	112-03001
15	Lid Pivot Pins - with cotter Pins (pack of 2)	101-02007
16	Control knob (pack of 1)	101-03001-08
17	AAA Battery	102-05002
18	Cart rear Panel	102-04006
19	Cart side panel-Right	102-04010
20	Cart side panel-Left	102-04009
21	Cart front upper door brace	102-04008
22	Door Magnet	101-14020
23	2.5" caster - locking - with 4 screws/flat washers/spring washers	101-04017
24	2.5" caster - regular - with 4 screws/flat washers/spring washers	101-04018
25	Cart bottom shelf	112-04005
26	Cart front door Handle sleeve (pack of 1)	102-04021
27	Tank seat	112-14005

REPLACEMENT PARTS LIST

Ref. #	Description	Part #
28	Cart front door handle (includes screws to attach)	101-01017-00
29	Cart front door assembly - No handle	101-01016-00
30	Match holder - with chain and screw to attach	101-04019
31	LP Cylinder Retention Screw	112-04012
32	DynaGlo badge - for lid	112-12001
33	Towel Bar for left or right side table	112-14022
34	Tool hook for left or right side table - package of 1	112-14023
35	Burner - left - includes 2 screws to secure	112-03003
36	Burner - right - includes 2 screws to secure	112-03004
37	Ignition electrode with ignition wire	102-03013
38	LP Gas valve & manifold	102-03007
39	LP Gas hose and regulator assembly	102-03008
40	Control panel	112-13006
41	Firebox assembly - includes lid bumpers	102-13002
42	Electronic ignitor - Does not include ignition wires or electrodes	102-03023
43	Control knob bezel (pack of 1)	102-03010
n/a	Hardware Pack	112-05001
n/a	Owner's/Instruction Manual	70-10-004



LP Gas Grill

LIMITED WARRANTY

Item Name: LP Gas Grill
Model #: DGP350SNP/DGP350SNP-D
Rated BTU: 30,000 BTU/Hr

This LP Gas Grill is warranted against broken or damaged parts at the time of purchase. All parts carry a one (1) year limited warranty. Paint is warranted to be free of defects for 90 days except for rust, which may appear after repeated use.

This warranty does not cover damage or issues related to neglect, abuse or modifications to the appliance. Repair labor is not covered.

All parts that meet the warranty requirements will be shipped at no charge via the discretion of GHP Group Inc. (ground shipments, US Mail or Parcel Post ONLY). Any special handling charges (i.e. Second Day, Over night, etc.) will be the responsibility of the consumer.

All warranty claims apply only to the original purchaser and require a proof of purchase verifying purchase date. Do not return parts to the GHP Group Inc. address without first obtaining a return authorization number from our customer service department. This service is available by calling toll free: 1-877-447-4768, 8:30 am to 4:30 pm CST, Monday through Friday.

Some states do not allow the exclusion or limitation of incidental or consequential damages or limitations on how long an implied warranty lasts, so the above limitations or exclusions may not apply to you. This warranty gives you specific legal rights, and you may have other rights that vary from state to state.

GHP Group, Inc.
6440 W. Howard St.
Niles, IL, USA 60714-3302
Toll Free: 1-877-447-4768

GUIDE ET INSTRUCTIONS D'UTILISATION



C US

ANS Z21.58b-2012 CSA 1.6b-2012

Appareil de cuisson au gaz extérieur

Assembleur/installateur : Ce guide fournit de l'information importante pour réaliser un assemblage adéquat et assurer une utilisation en toute sécurité de l'appareil. Lisez et suivez tous les avertissements et toutes les instructions avant d'assembler et d'utiliser l'appareil.

Laissez ces instructions au consommateur.

Consommateur/utilisateur : Observez tous les avertissements et toutes les instructions lorsque vous utilisez cet appareil.

Conservez ces instructions pour pouvoir vous y reporter ultérieurement.

DANGER:

Si vous percevez une odeur de gaz :

1. Coupez l'arrivée du gaz à l'appareil.
2. Éteignez toute flamme nue.
3. Soulevez le couvercle.
4. Si l'odeur persiste, tenez-vous à l'écart de l'appareil et appelez immédiatement votre fournisseur de gaz ou le service incendie.

AVERTISSEMENT :

1. N'entreposez pas ou n'utilisez pas d'essence ou autres liquides ou vapeurs inflammables à proximité de cet appareil.
2. N'entreposez pas de bonbonne de gaz GPL non branchée aux fins d'utilisation à proximité de cet appareil de chauffage ou de tout autre appareil.
3. Ce gril est uniquement réservé à un usage extérieur et ne doit pas être utilisé dans un bâtiment, un garage, sous un auvent ou dans un quelconque endroit fermé.
4. Ne laissez pas un gril allumé sans surveillance. Tenez en tout temps les enfants et les animaux domestiques à l'écart du gril.

Questions, problèmes, pièces manquantes? Avant de revenir chez votre détaillant, contactez notre service à la clientèle par téléphone en composant le 1 877 447-4768 du lundi au vendredi de 8 h 30 à 16 h 30, HNC ou par courriel à customerservice@ghpgroupinc.com.



NUL BESOIN DE REVENIR AU MAGASIN

Questions sur l'assemblage?

Besoin d'information sur des pièces?

Le produit est couvert par la garantie des fabricants?

Composez le numéro sans frais : 1 877 447-4768

du lundi au vendredi de 9 h à 16 h 30, HNC

Conservez ce Manuel du propriétaire et votre preuve d'achat en cas de besoin

Pour nous permettre de vous aider

Fournissez les renseignements ci-après :

Date d'achat

Lieu d'achat

Numéro de modèle

N° de série du produit

LE NUMÉRO DE MODÈLE ET LE NUMÉRO DE SÉRIE DU PRODUIT FIGURENT SUR
L'ÉTIQUETTE INDIQUANT LE DÉBIT CALORIFIQUE DE VOTRE PRODUIT.

TABLE DES MATIÈRES

Consignes de sécurité 2 - 3

Contenu de l'emballage 4 - 5

Liste des pièces illustrées 6 - 7

Quincaillerie 7

Préparation 7

Instructions d'assemblage 8 - 16

Instructions d'utilisation 17 - 21

Soin et entretien 22 - 26

Dépistage des pannes 27 - 28

Liste des pièces de rechange 29 - 31

Garantie 32



CONSIGNES DE SÉCURITÉ

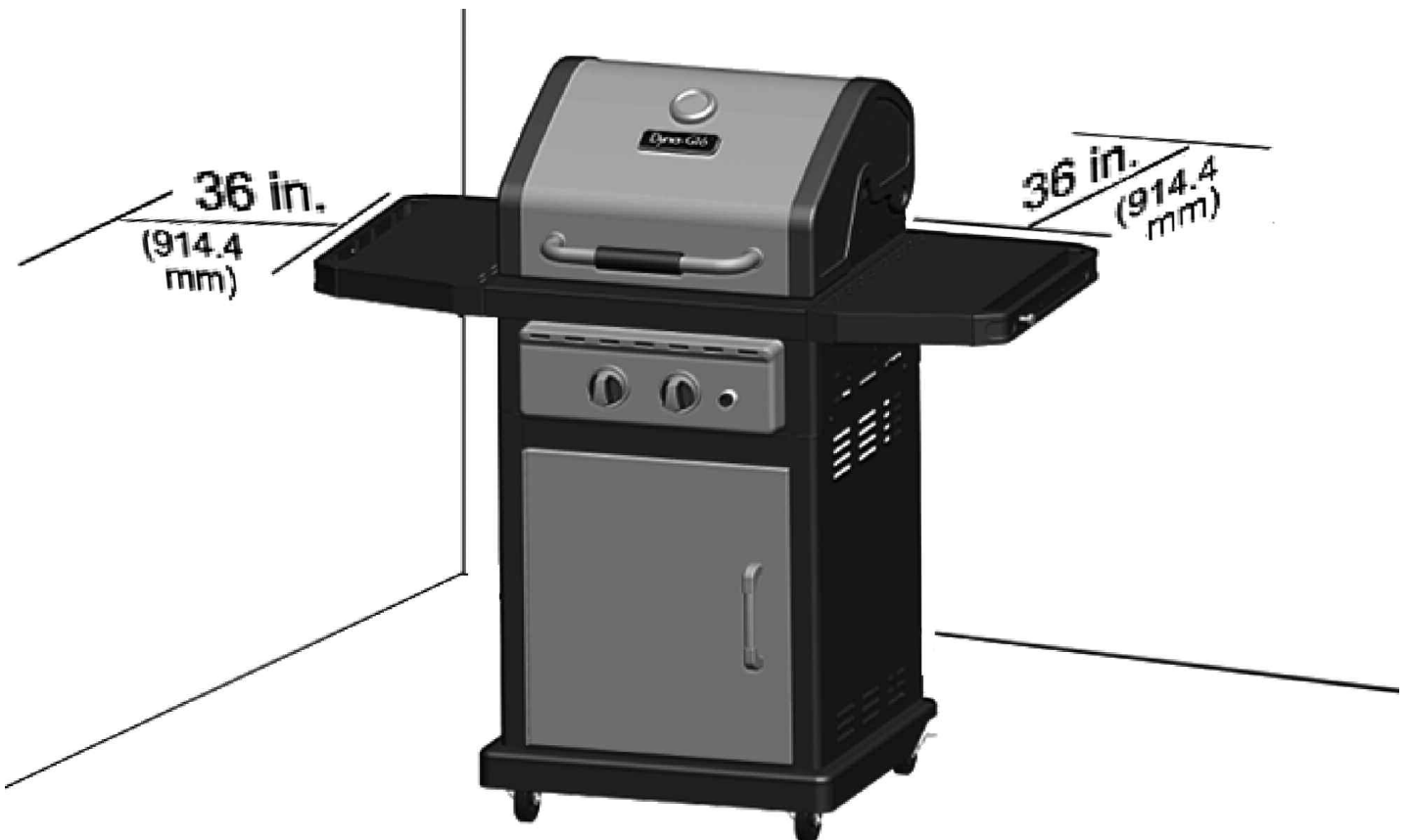
Assurez-vous de lire et de comprendre ce guide dans son intégralité avant de tenter d'assembler, d'installer ou d'utiliser ce produit. Pour toute question concernant le produit, contactez le service à la clientèle en composant le 1 877 447-4768, du lundi au vendredi, de 8 h 30 à 16 h 30, HNC.

1. N'entreposez PAS ou n'utilisez PAS d'essence ou autres vapeurs ou liquides inflammables à moins de 8 m (25 pi) de cet appareil ou de tout autre appareil.
2. Vous ne devriez pas entreposer de bonbonne de gaz GPL non branchée aux fins d'utilisation à moins de 3 m (10 pi) de cet appareil ou de tout autre appareil.
3. Ce gril doit être utilisé avec du gaz propane uniquement (la bonbonne de gaz propane n'est pas comprise).
4. N'essayez jamais de fixer ce gril à un système autonome à gaz propane d'un bateau, d'une tente-caravane, d'une autocaravane ou d'une habitation.
5. N'utilisez jamais de charbon de bois ou d'essence de briquet avec le gril.
6. N'utilisez jamais d'essence, de kérosène ou d'alcool pour allumer le gril. La bonbonne de gaz GPL utilisée avec cet appareil doit être :
 - (a) fabriquée et marquée conformément aux spécifications établies pour les bonbonnes de gaz GPL par l'U.S. Department of Transportation (DOT) ou par Norme nationale du Canada, CAN/CSA-B339, Bonbonnes, sphères et tubes pour le transport des marchandises dangereuses et par la Commission, selon le cas;
 - (b) fournie avec un dispositif de prévention contre un remplissage excessif répertorié;
 - (c) fournie avec un dispositif de branchement de bonbonne compatible avec le connecteur utilisé pour appareils de cuisson extérieurs. Ce gril n'a pas été conçu pour être installé dans ou sur les véhicules récréatifs ou les bateaux.
7. N'essayez pas de déplacer le gril lorsqu'il est allumé ou s'il est chaud. Les roulettes devraient être bloquées lorsque le gril ne doit pas être déplacé.
8. N'utilisez pas le gril tant qu'il n'est pas complètement assemblé et que toutes les pièces ne sont pas solidement fixées et serrées.
9. Tenez tous les articles et toutes les surfaces combustibles à moins de 91,4 cm (36 po) du gril en tout temps.
10. Ne le faites pas fonctionner dans une atmosphère explosive. Maintenez la zone du gril dégagée et exempte de matières combustibles, d'essence et autres vapeurs et liquides inflammables.
11. Ne touchez pas les pièces métalliques du gril tant qu'elles n'ont pas complètement refroidi (45 minutes environ) afin d'éviter les brûlures, sauf si vous utilisez de l'équipement de protection (poignées, gants, mitaines pour barbecue, etc.).
12. N'essayez pas de modifier ce gril de quelque façon que ce soit.
13. Nettoyez et inspectez le tuyau flexible avant chaque utilisation. Dans les cas d'abrasion, d'usure, d'entaille ou de fuite du tuyau flexible, vous devez remplacer celui-ci avant d'utiliser l'appareil. L'assemblage du tuyau flexible de rechange doit être celui qui est spécifié par GHP Group dans la liste des pièces de rechange de ce guide.
14. Déplacez les tuyaux flexibles du gaz aussi loin que possible des surfaces chaudes et de l'égouttement des graisses chaudes.
15. Ne laissez jamais un contenant plein dans un véhicule ou un coffre de véhicule dans lequel la température est très élevée. En effet, la chaleur peut faire augmenter la pression du gaz, ce qui pourrait entraîner l'ouverture de la soupape de surpression et une fuite du gaz.
16. Maintenez le compartiment de la soupape, les brûleurs et les passages de circulation de l'air propres. Inspectez le gril avant chaque utilisation. N'entravez pas la circulation du gaz ou de l'air de ventilation.
17. La consommation d'alcool ou de médicaments vendus sur ou sans ordonnance peut nuire à la capacité de l'opérateur d'assembler correctement ce gril et de l'utiliser en toute sécurité.
18. Soulevez toujours lentement et avec précaution le couvercle du gril car la chaleur et la vapeur piégées à l'intérieur pourrait vous brûler gravement.
19. **Ne laissez pas un gril allumé sans surveillance. Tenez en tout temps les enfants et les animaux domestiques à l'écart du gril.**
20. Ne placez pas ce gril sur une table de quelque type que ce soit. Le gril doit toujours être placé sur une surface solide et de niveau.
21. N'essayez pas d'utiliser ce gril par grand vent.
22. Ne pas modifier cette grille pour une utilisation avec d'autres luminaires d'intérieur ou d'extérieur, comme les comptoirs ou des haltes-îles gril.
23. Ne pas utiliser ce grill intérieur.

CONSIGNES DE SÉCURITÉ

AVERTISSEMENT

Ne placez pas ce gril sous une toiture ou un auvent.
Un dégagement de 91,44 cm (36 po) doit être prévu entre les côtés
et l'arrière de l'appareil et les constructions combustibles.



REMARQUE : L'installation doit se conformer aux codes locaux ou, en l'absence de tels codes, au Code national du gaz combustible, ANSI Z223.1/NFPA 54, au Code d'installation du gaz naturel et du gaz propane, CSA B149.1 ou du Code d'entreposage et de manutention du gaz propane B149.2.

PROPOSITION 65 DE LA CALIFORNIE :

Les combustibles utilisés dans les appareils à gaz ou au mazout et les produits de la combustion de ces combustibles, contiennent produits chimiques connus à l'Etat de Californie pour causer le cancer ou autres problèmes de reproduction dommage. Ce produit contient des produits chimiques, y compris plomb et ses composés, connus à l'état de Californie pour causer le cancer, des malformations congénitales ou d'autres troubles de la reproduction. ***Se laver les mains après manipulation.***

CONTENU DE L'EMBALLAGE

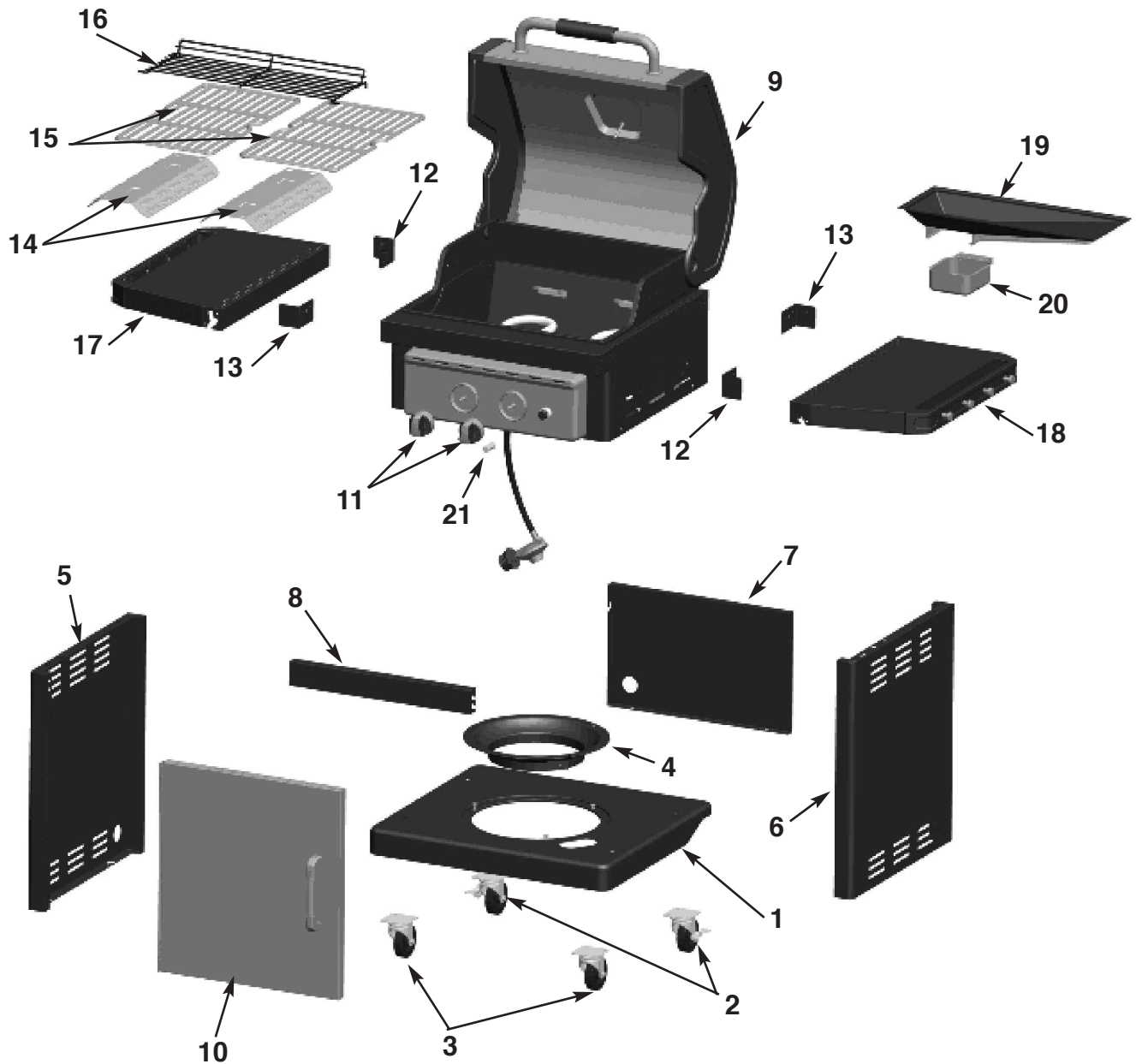
AVANT DE COMMENCER L'ASSEMBLAGE, DÉBALLEZ LE CARTON ET VÉRIFIEZ LE CONTENU. POUR CE FAIRE, REPORTEZ-VOUS À LA LISTE DU CONTENU DE L'EMBALLAGE ET AU DIAGRAMME CI-DESSUS. EN CAS DE PIÈCE MANQUANTE OU ENDOMMAGÉE, N'ESSAYEZ PAS D'ASSEMBLER LE PRODUIT.

CONTACTEZ LE SERVICE À LA CLIENTÈLE POUR OBTENIR LES PIÈCES DE RECHANGE.

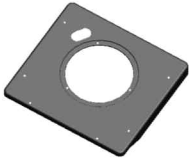






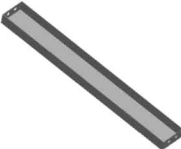





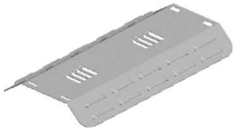
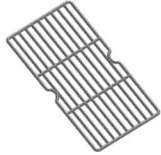
1 877 447-4768 – du lundi au vendredi de 8 h 30 à 16 h 30, HNC

N° de pièce	Description	Qté	N° de pièce	Description	Qté
1	Étagère inférieure	1	12	Support d'étagère escamotable 1	2
2	Roulette à blocage	2	13	Support d'étagère escamotable 2	2
3	Roulette	2	14	Élément chauffant	2
4	Siège de réservoir	1	15	Grille de cuisson	2
5	Panneau latéral gauche de base à roulettes	1	16	Grille chauffe-plat	1
6	Panneau latéral droit de base à roulettes	1	17	Étagère gauche	1
7	Bas du panneau arrière de base à roulettes	1	18	Étagère droite	1
8	Renfort supérieur de porte avant	1	19	Cuvette à graisse	1
9	Corps du gril	1	20	Bac ramasse-graisse	1
10	Assemblage de porte	1	21	Pile AAA (1,5 V)	1
11	Bouton de commande	2			

CONTENU DE L'EMBALLAGE









LISTE DES PIÈCES ILLUSTRÉES

<p>Étagère inférieure</p>  <p>1</p>	<p>Roulette à blocage</p>  <p>2</p>	<p>Roulette</p>  <p>3</p>
<p>Siège de réservoir</p>  <p>4</p>	<p>Panneau latéral gauche de base à roulettes</p>  <p>5</p>	<p>Panneau latéral droit de base à roulettes</p>  <p>6</p>
<p>Bas du panneau arrière de base à roulettes</p>  <p>7</p>	<p>Renfort supérieur de porte avant</p>  <p>8</p>	<p>Corps du gril</p>  <p>9</p>
<p>Assemblage de porte</p>  <p>10</p>	<p>Bouton de commande</p>  <p>11</p>	<p>Support d'étagère escamotable 1</p>  <p>12</p>
<p>Support d'étagère escamotable 2</p>  <p>13</p>	<p>Élément chauffant</p>  <p>14</p>	<p>Grille de cuisson</p>  <p>15</p>

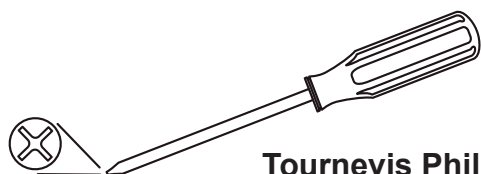
LISTE DES PIÈCES ILLUSTRÉES

Grille chauffe-plat  16	Étagère gauche  17	Étagère droite  18
Cuvette à graisse  19	Bac ramasse-graisse  20	Pile AAA (1,5 V)  21

QUINCAILLERIE

Part No.	Description	Qty	Fig
A	Vis M6 x 12	31	
B	Vis M4 x 10	4	
C	Vis M6 x 20	4	
D	Vis M5 x 12	16	
E	Rondelle à ressort	16	
F	Rondelle plate	16	

Outils requis pour déballer, assembler et réaliser l'essai d'étanchéité de ce produit :



Tournevis Phillips



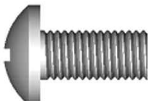


Flacon pulvérisateur

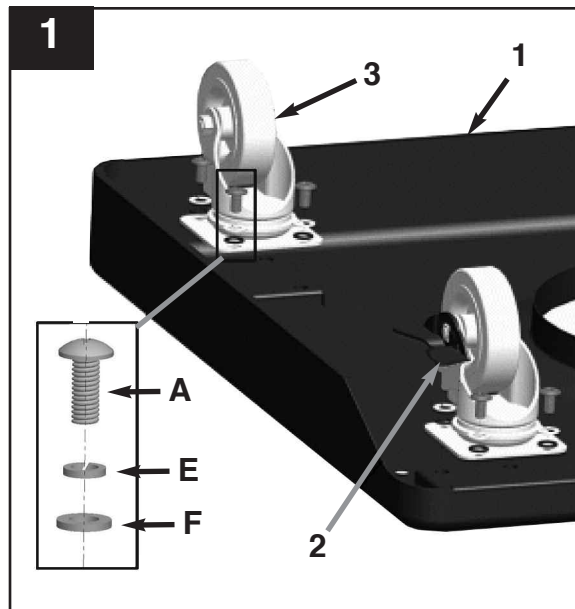
Durée prévue de l'assemblage : 30 à 45 minutes

INSTRUCTIONS D'ASSEMBLAGE

1. Repérez les deux roulettes avec frein (2) et les deux roulettes sans frein (3). Fixez les deux roulettes avec frein (2) à l'arrière (sur la partie mince de la tablette inférieure) de la tablette inférieure (1) à l'aide des quatre vis (A), que vous devez insérer dans les quatre rondelles à ressort (E), puis dans les quatre rondelles plates (F) et enfin dans les trous filetés de la tablette inférieure (1). Fixez les deux roulettes sans frein (3) à l'avant de la tablette inférieure (1) à l'aide des quatre vis (A), que vous devez insérer dans les quatre rondelles à ressort (E), puis dans les quatre rondelles plates (F) et enfin dans les trous filetés de la tablette inférieure (1). Serrez toutes les vis.

Quincaillerie utilisée

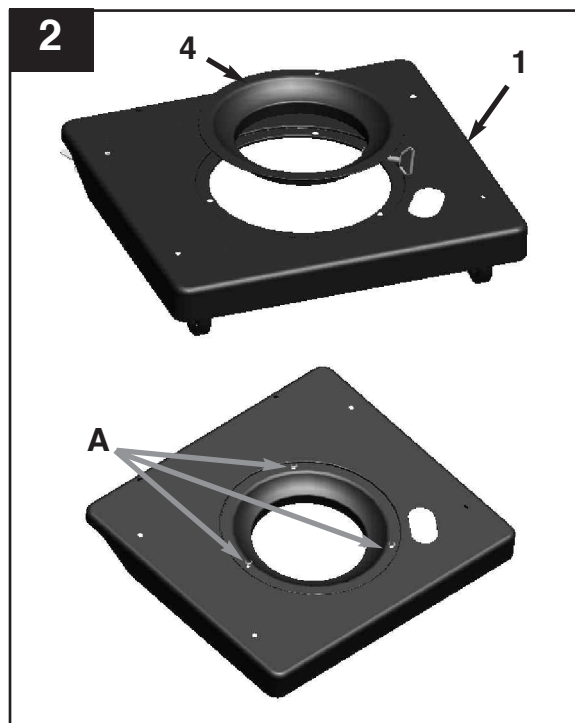
A	Vis M6 x 12		x16
E	Rondelle à ressort		x16
F	Rondelle à plate		x16



2. Fixez le siège de réservoir (4) à l'étagère inférieure (1) avec trois vis (a).

Quincaillerie utilisée

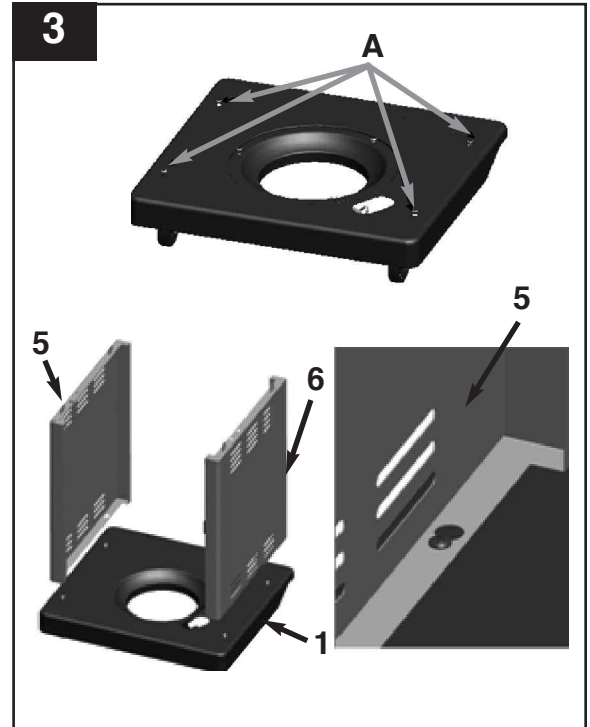
A	Vis M6 x 12		x3
----------	-------------	---	----



INSTRUCTIONS D'ASSEMBLAGE

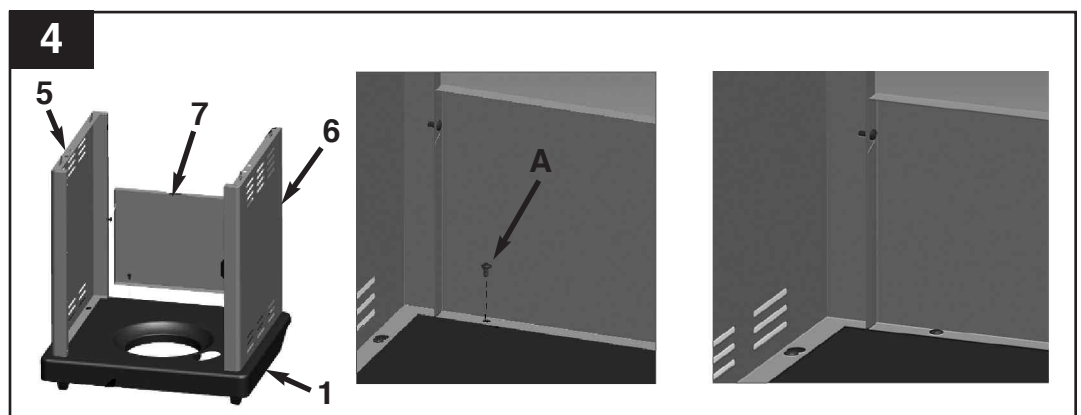
3. Insérez quatre vis (A) à moitié dans les trous filetés de la tablette inférieure (A). Pour fixer le panneau latéral gauche du chariot (5), placez les encoches en trou de serrure du panneau sur la tête des vis (A) situées du côté gauche de la tablette inférieure (1). Glissez le panneau latéral gauche du chariot (5) de façon à ce que la tête de la vis soit par-dessus la partie la plus étroite de l'encoche en trou de serrure. Vissez la vis (A) sans trop la serrer, car vous aurez besoin d'une petite marge de manœuvre afin d'effectuer les prochaines étapes d'assemblage. Répétez les étapes afin d'assembler le panneau latéral droit du chariot (6).

Quincaillerie utilisée



4. Insérez une vis (A) à moitié dans le trou central fileté arrière de chaque panneau latéral du chariot (5 et 6). Pour fixer le panneau arrière du chariot (7), glissez les encoches en trou de serrure de ce dernier sous les vis précédemment insérées. Glissez

le panneau arrière du chariot (7) de manière à ce qu'il atteigne la tablette inférieure (1). Fixez le panneau arrière du chariot (7) à la tablette inférieure (1) à l'aide de deux vis (A). Serrez toutes les vis, y compris les quatre vis des panneaux latéraux du chariot (5 et 6).

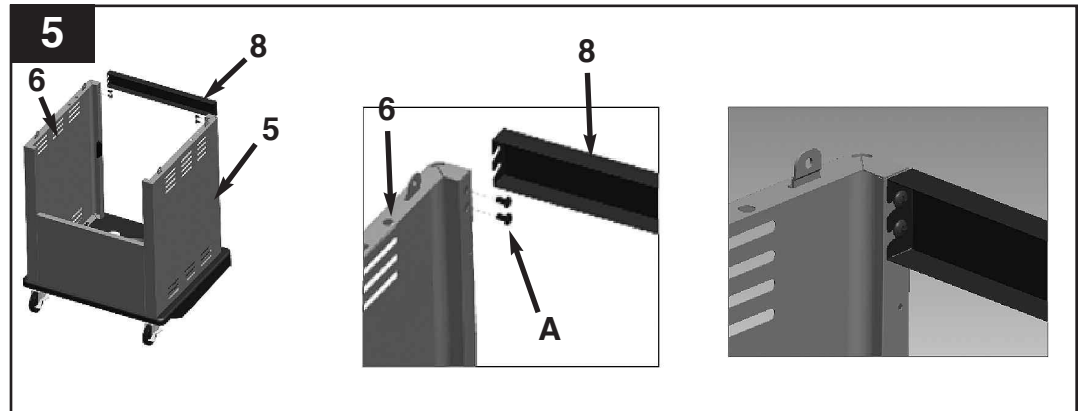


Quincaillerie utilisée



INSTRUCTIONS D'ASSEMBLAGE

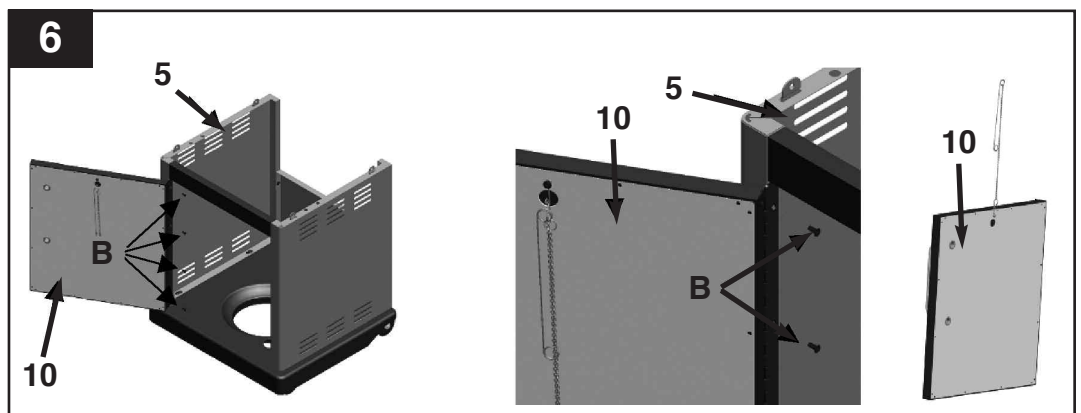
5. Insérez deux vis (A) à moitié dans les trous supérieurs filetés avant de chaque panneau latéral du chariot (5 et 6). Pour fixer la traverse supérieure de la porte avant (8), glissez les échancrures de celle-ci sur les quatre vis (A), puis serrez-les.



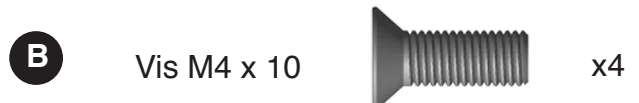
Quincaillerie utilisée



6. Pour fixer l'ensemble de porte (10) au corps du chariot assemblé, alignez les trous de la charnière de l'ensemble de porte avec les trous du panneau latéral gauche du chariot (5), insérez les quatre vis (B), puis serrez. Pour ajuster l'espace entre l'ensemble de porte (10) et le corps du chariot, desserrez légèrement les quatre vis (B), alignez l'ensemble de porte (10) avec le corps du chariot, puis serrez toutes les vis (B).

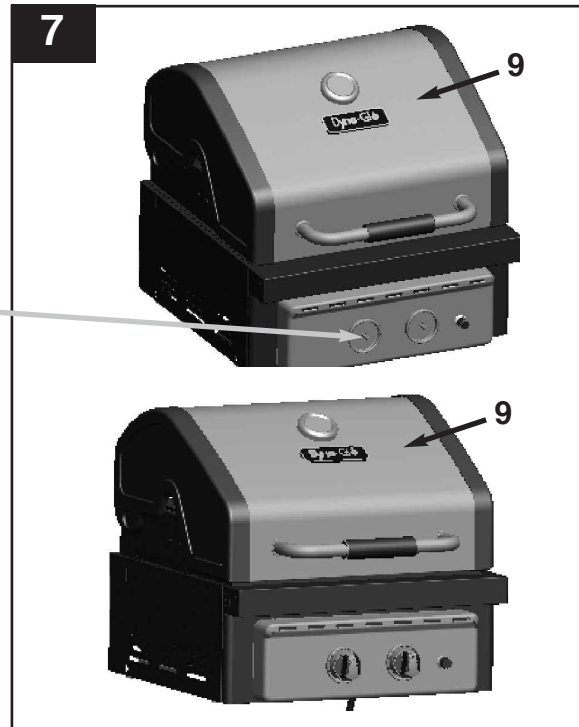


Quincaillerie utilisée

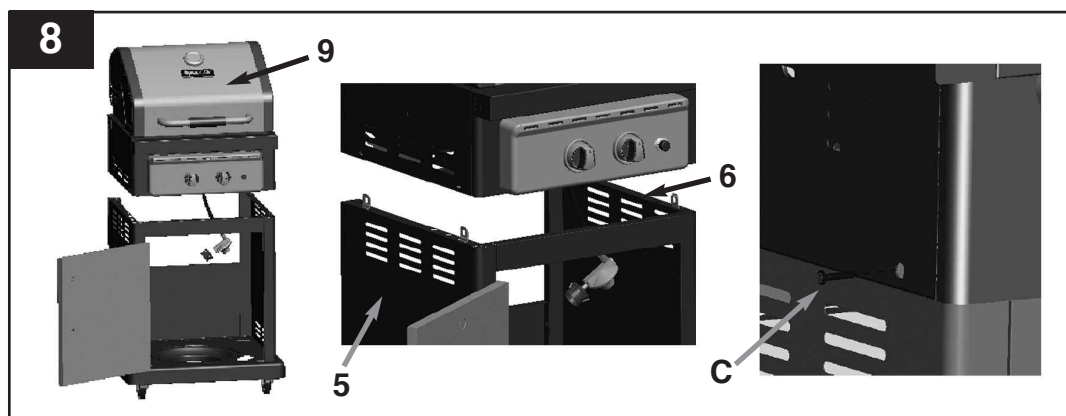


INSTRUCTIONS D'ASSEMBLAGE

7. Glissez les boutons de commande (11) sur les tiges des robinets situés sur le panneau de commande avant du corps du barbecue (9).



8. Déposez délicatement le corps du barbecue (9) sur les languettes de montage situées sur les panneaux latéraux du chariot (5 et 6). Ajustez le corps du barbecue (9) de façon à ce que les trous situés sur ce dernier soient alignés avec les trous des languettes des panneaux latéraux du chariot (5 et 6).



REMARQUE : Assurez-vous que le tuyau d'alimentation en gaz est à l'intérieur du chariot. Fixez le corps du barbecue (9) de chaque côté à l'aide de deux vis (c).

Quincaillerie utilisée



Vis M6 x 20



x4

INSTRUCTIONS D'ASSEMBLAGE

9. **REMARQUE :** Les supports de table de service 1 (12) seront utilisés tant pour l'installation du côté avant droit que pour celle du côté arrière gauche. Les supports de table de service 2 (13) seront utilisés tant pour l'installation du côté arrière droit que pour celle du côté avant gauche.

Installez les supports de table de service 1 (12) et 2 (13) de chaque côté du corps du barbecue à l'aide des vis (D). Les flèches taillées dans les supports indiquent la position adéquate de chacun d'eux lorsqu'ils sont fixés au corps du barbecue (9).

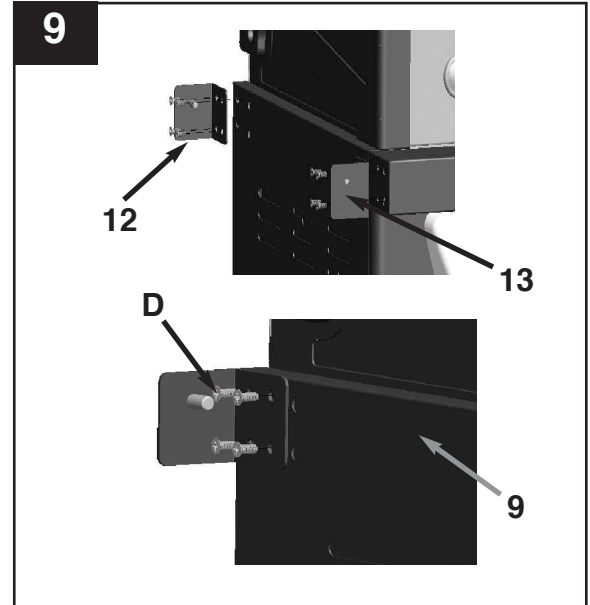
Quincaillerie utilisée

D

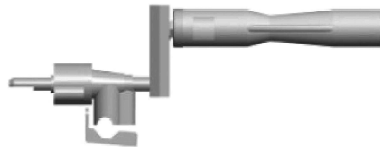
Vis M5 x 12



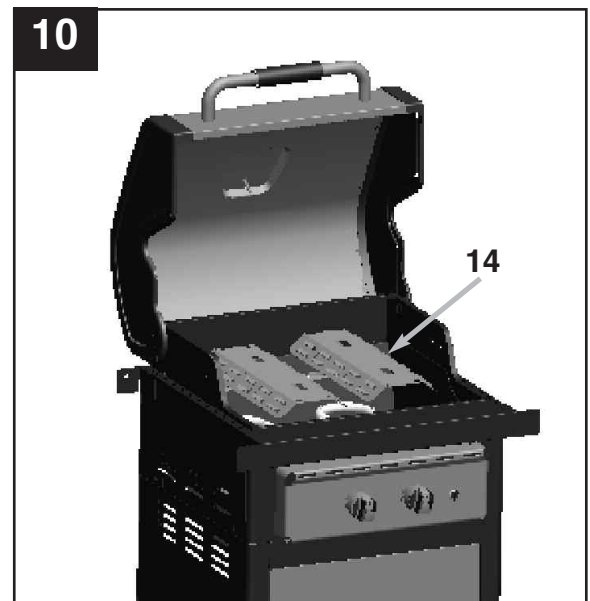
x16



⚠ AVERTISSEMENT : IL EST TRÈS IMPORTANT DE S'ASSURER QUE CHACUN DES BRÛLEURS EST COMPLÈTEMENT INSÉRÉ DANS L'ORIFICE DU ROBINET ADJACENT AVANT DE PASSER À L'ÉTAPE 10. LE NON-RESPECT DE CETTE CONSIGNE POURRAIT ENTRAÎNER UN INCENDIE OU UNE EXPLOSION, CE QUI POURRAIT CAUSER DES BLESSURES GRAVES, VOIRE LA MORT. CONSULTEZ LES INSTRUCTIONS DE LA SECTION ENTRETIEN INDICANT LA FAÇON ADÉQUATE DE VÉRIFIER SI LES BRÛLEURS SONT INSÉRÉS.



10. Ouvrez le couvercle et placez les deux plaques chauffantes (14) sur les supports, directement au-dessus des brûleurs.

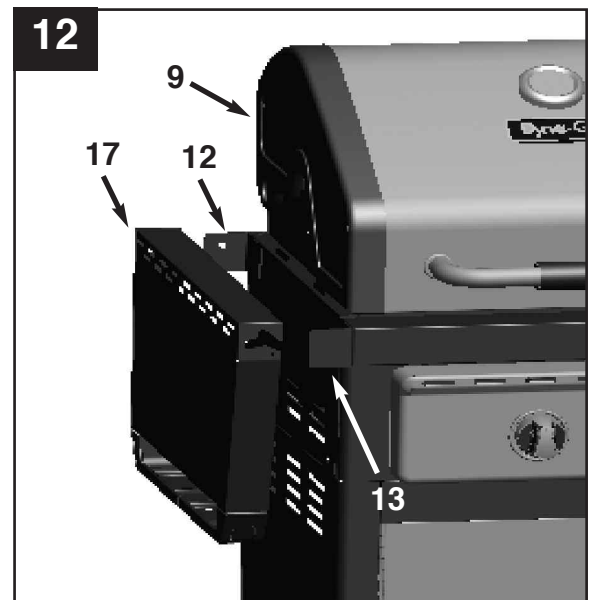


INSTRUCTIONS D'ASSEMBLAGE

11. Déposez les grilles de cuisson (15) sur les traverses du corps et sur le panneau arrière du barbecue. Insérez ensuite la grille de maintien au chaud (16) dans les deux trous situés sur le bord arrière du corps du barbecue (9).

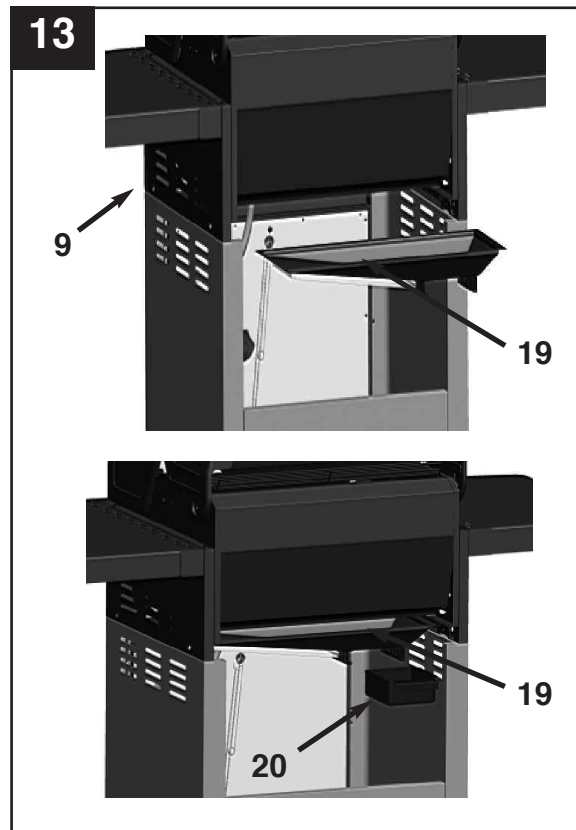


12. Placez la table de service gauche (17) en position verticale, alignez les trous de celle-ci avec les supports de table de service (12 et 13), puis insérez-la. Afin de verrouiller la table de service gauche (17) en position horizontale, soulevez-la jusqu'à ce qu'elle forme un angle de 90° avec le corps du barbecue. Ensuite, poussez-la vers le corps du barbecue (12), puis appuyez sur la partie de la table de service gauche (17) qui se trouve près du corps du barbecue jusqu'à ce qu'elle soit solidement fixée. Répétez ces étapes pour installer la table de service droite (18).



INSTRUCTIONS D'ASSEMBLAGE

13. Pour insérer la cuvette à graisse (19), glissez-la dans le corps du barbecue (9) à partir de l'arrière, le long des rails situés juste en dessous de la partie inférieure du corps du barbecue (9). Pour insérer le bac ramasse-graisse (20), glissez-le sur les rails situés sur l'extrémité inférieure de la cuvette de graisse (19).

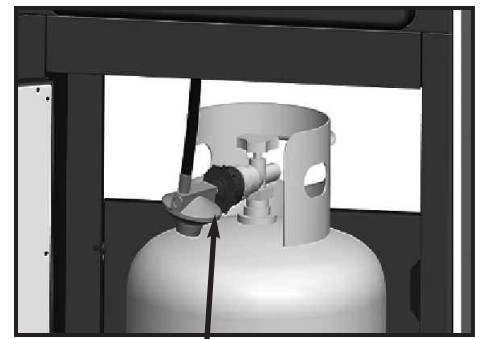


14. Installer la pile (33). Retirez le bouchon de l'allumage en le tournant dans le sens contraire des aiguilles d'une montre. Insérez la pile AAA (21) en plaçant la borne positive vers l'extérieur. Remplacez le bouchon de l'allumage.

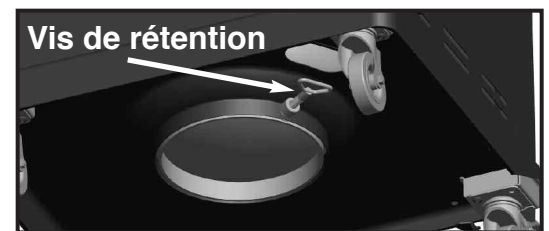


INSTRUCTIONS D'ASSEMBLAGE

15. Ouvrez la porte du chariot, puis insérez la bouteille de gaz de pétrole liquéfié (vendue séparément) dans le trou de la tablette inférieure prévu à cette fin. Pour aligner le raccord à visser à la main du tuyau ou régulateur avec le robinet fileté de la bouteille de gaz de pétrole liquéfié, tournez celle-ci jusqu'à ce qu'elle soit dans la bonne position. Serrez à la main le raccord du tuyau/régulateur afin de le fixer au robinet fileté de la bouteille de gaz de pétrole liquéfié. Serrez la vis de rétention de la bouteille jusqu'à ce que la bouteille soit solidement fixée à l'intérieur du trou dans le chariot.



Raccord du tuyau/régulateur



DÉTECTION DES FUITES

Après que tous les branchements ont été effectués, vérifiez-les ainsi que les raccords de la soupape du réservoir de gaz GPL, du tuyau flexible du gaz et le détendeur afin de déterminer la présence de fuites éventuelles en utilisant une solution savonneuse.

Pour éviter un incendie ou une explosion lorsque vous vérifiez s'il y a des fuites :

- Exécutez toujours l'essai d'étanchéité avant d'allumer le gril.
- Ne fumez pas pendant l'exécution de l'essai d'étanchéité.
- Effectuez toujours l'essai d'étanchéité à l'extérieur, dans un endroit bien ventilé.
- N'utilisez pas de source de flamme nue lorsque vous exécutez l'essai d'étanchéité.
- N'utilisez pas le gril tant que toutes les fuites n'ont pas été éliminées.
- Si vous ne pouvez pas corriger une fuite, débranchez l'alimentation en gaz propane et contactez un fournisseur de services de dépannage d'appareils au gaz.

EXÉCUTION DE L'ESSAI D'ÉTANCHÉITÉ

- Préparez la solution pour réaliser l'essai d'étanchéité en mélangeant 1 part de nettoyeur liquide à vaisselle avec 3 parts d'eau. La solution totale requise est d'environ 70 à 90 ml (2 à 3 oz). Versez la solution pour réaliser l'essai d'étanchéité dans un flacon pulvérisateur.
- Assurez-vous que tous les boutons de commande sont à la position « OFF » (ARRÊT).
- Ouvrez le robinet de la bonbonne de gaz GPL.
- Pulvérisez la solution pour réaliser l'essai d'étanchéité sur tous les branchements et raccords des conduites de gaz. La formation de bulles aux endroits auxquels la solution a été appliquée indique la présence d'une fuite de gaz. Si vous détectez une fuite ou si vous percevez une odeur de gaz, fermez immédiatement le réservoir de gaz GPL et réparez la fuite ou remplacez la pièce défectueuse. N'utilisez pas le gril tant que les fuites n'ont pas été réparées.

INSTRUCTIONS D'ASSEMBLAGE

Entièrement assemblé

Avant



Arrière



INSTRUCTIONS D'UTILISATION

⚠ MISE EN GARDE :

**Utilisez uniquement le détendeur et l'assemblage de tuyau flexible fournis!
Si un remplacement est nécessaire, contactez notre Service à la clientèle.
N'utilisez pas de pièces de rechange qui ne sont pas destinées à ce gril.**

Branchement de la bonbonne de gaz :

La bonbonne de gaz propane à utiliser doit être fabriquée et marquée conformément aux spécifications établies pour les bonbonnes de gaz GPL par l'U.S. Department of Transportation (DOT) ou par Norme nationale du Canada, CAN/CSA-B339, Bonbonnes, sphères et tubes pour le transport des marchandises dangereuses et par la Commission, selon le cas, et fournie avec un dispositif de prévention contre un remplissage excessif répertorié.

Utilisez uniquement des bonbonnes de 20 lb (hauteur : 46 cm (18,11 po), diamètre du réservoir : 25 cm (9,84 po), diamètre du pied : 20,39 cm (8,03 po) équipées d'un dispositif de branchement de bonbonne compatible avec le type de branchement pour appareils de cuisson extérieurs. La bonbonne de gaz doit être pourvue d'un collier pour protéger son robinet. La bonbonne de gaz ne doit pas être tombée ou manipulée sans précaution!

La bonbonne de gaz doit être débranchée lorsque l'appareil n'est pas utilisé. L'entreposage de l'appareil à l'intérieur est **UNIQUEMENT** admissible si la bonbonne est débranchée et retirée de l'appareil. Les bonbonnes doivent être entreposées à l'extérieur, hors de la portée des enfants, et non pas dans un bâtiment, un garage ou autre espace clos. Votre bonbonne ne doit jamais être entreposée dans un endroit où la température peut dépasser 52 °C (125 °F)

Placez le bouchon anti-poussière sur la sortie du robinet de la bonbonne lorsque vous n'utilisez pas celle-ci. Installez uniquement le type de cache-poussières fourni avec le robinet sur la sortie de robinet de la bonbonne. L'utilisation d'autres types de capuchons et de bouchons pourrait entraîner des fuites de gaz propane.

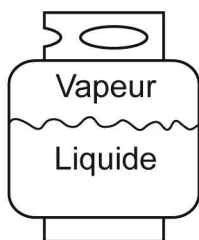
Avant de brancher la bonbonne, assurez-vous qu'il n'y a pas de débris coincés dans la sortie de la bonbonne de gaz, du manodétendeur ou des brûleurs et dans les orifices des brûleurs. Branchez le manodétendeur et serrez-le solidement à la main. Débranchez la bonbonne de propane du manodétendeur lorsque vous n'utilisez pas le gril.

N'OBSTRUEZ PAS la circulation de l'air de combustion et/ou de ventilation vers le gril. La bonbonne de propane doit autoriser le prélèvement de vapeur et être équipée d'un dispositif de prévention contre un remplissage excessif répertorié. Veuillez orienter la bonbonne de propane de sorte qu'elle permette le prélèvement de la vapeur.

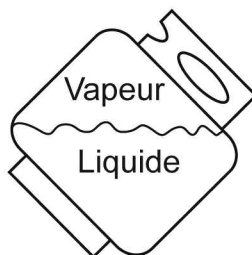
INSTRUCTIONS D'UTILISATION

! AVERTISSEMENT :

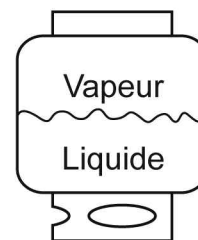
La bonbonne doit être bien droite pour autoriser le prélèvement de la vapeur.



Correct



Incorrect



Incorrect

! MISE EN GARDE

- N'entreposez pas de bonbonne de gaz GPL de recharge sous cet appareil ou à proximité.
- Ne remplissez jamais la bonbonne à plus de 80 %.
- Si les instructions indiquées dans les paragraphes (a) et (b) ne sont pas rigoureusement suivies, un incendie pouvant entraîner des blessures graves voire mortelles pourrait s'ensuivre.

INSTRUCTIONS D'UTILISATION

Branchement de la bonbonne de gaz GPL

⚠ AVERTISSEMENT : TOUTES LES INSTRUCTIONS ET MISES EN GARDE SUIVANTES DOIVENT ÊTRE OBSERVÉES POUR ÉVITER LES RISQUES D'INCENDIE, DE DOMMAGES ET/OU DE BLESSURES.

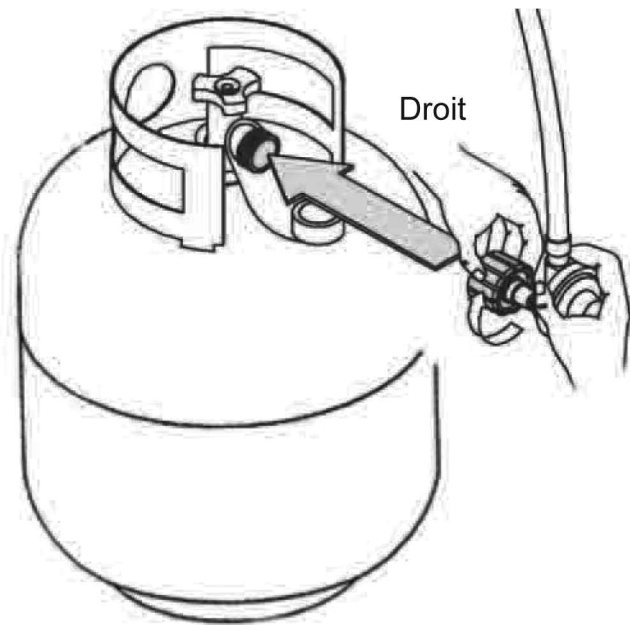
1. Le bouton de la bonbonne de gaz GPL doit être fermé. Assurez-vous que le bouton est tourné à fond dans le sens des aiguilles d'une montre ↻. Le système d'alimentation de la bonbonne doit autoriser le prélèvement de vapeur.
2. Assurez-vous que le bouton de commande de l'unité de commande est à la position d'arrêt.
3. Enlevez le capuchon de protection du robinet de la bonbonne de gaz GPL et l'écrou de serrage.
4. Saisissez le régulateur d'une main et insérez le mamelon dans la sortie de robinet. Assurez-vous que le mamelon est centré dans la sortie de robinet. L'écrou de serrage se visse sur les gros filets extérieurs de la sortie de robinet. Veillez à ne pas fausser le filetage du raccord.
5. Serrez manuellement l'écrou de serrage dans le sens des aiguilles d'une montre ↻ jusqu'à l'arrêt complet. Serrez solidement et à la main uniquement. N'utilisez pas d'outils.

Déconnexion: Fermez complètement le robinet du réservoir en tournant dans le sens des aiguilles ↻. Tourner dans le sens antihoraire ↺ jusqu'à ce que l'écrou se détache le régulateur.

⚠ AVERTISSEMENT

Pendant le processus de branchement assurez-vous que :

- le connecteur d'entrée du régulateur s'adapte correctement, sûrement et solidement à la sortie de robinet de la bonbonne;
- le tuyau flexible de gaz GPL n'entre pas en contact ou ne demeure pas en contact avec le foyer.



INSTRUCTIONS D'UTILISATION

Allumage du gril

Avant la première utilisation :

Retirez toutes les étiquettes et les courroies de plastique, le cas échéant. Avant d'utiliser votre nouveau barbecue au gaz, il est nécessaire de le nettoyer à la chaleur. Pour ce faire, faites fonctionner le barbecue pendant une quinzaine de minutes; le couvercle doit être fermé et le bouton de commande, à la position maximale. De cette façon, la chaleur brûlera tous les résidus et dissipera l'odeur provenant du processus de fabrication, nettoyant ainsi les pièces internes.

⚠ MISE EN GARDE

Si la flamme s'éteint accidentellement pendant l'allumage ou l'utilisation du barbecue, FERMEZ immédiatement le robinet de la bouteille de propane, puis FERMEZ le bouton de commande du brûleur.

⚠ AVERTISSEMENT

**Ne vous penchez pas au-dessus du barbecue lorsque vous l'allumez.
Lisez les instructions avant d'allumer l'appareil.**

INSTRUCTIONS RELATIVES À L'ALLUMAGE

1. Assurez-vous que tous les boutons de commande sont à la position « OFF » (ARRÊT). ●
2. Ouvrez complètement le robinet de la bonbonne en le tournant dans le sens inverse des aiguilles d'une montre. ↶
3. Soulevez le couvercle pendant l'allumage.
4. Appuyez sur le bouton de commande et tournez-le dans le sens inverse des aiguilles d'une montre ↶, après la position d'allumage, à la ⚡ position la plus élevée 🔥. Vous devrez peut-être recommencer plusieurs fois pour allumer le brûleur. Si le brûleur ne s'allume pas dans les 5 secondes, tournez le(s) bouton(s) à la position OFF, patientez 5 minutes et répétez la procédure d'allumage.

Si le brûleur ne s'allume toujours pas, vérifiez s'il y a du gaz dans la bonbonne et suivez les instructions d'allumage avec une allumette.

INSTRUCTIONS D'UTILISATION

⚠ AVERTISSEMENT

**Ne vous penchez pas au-dessus du barbecue lorsque vous l'allumez.
Lisez les instructions avant d'allumer l'appareil.**

ALLUMAGE DU BARBECUE AVEC UNE ALLUMETTE

1. Insérez une allumette dans l'extrémité du porte-allumettes installé sur l'intérieur de la porte du coffre.
2. Allumez l'allumette.
3. Placez immédiatement l'allumette allumée dans le trou de 20 mm situé sur le côté du corps du gril, au plus près du brûleur que vous souhaitez allumer. Assurez-vous que l'allumette allumée est près des orifices du brûleur.
4. Appuyez sur le bouton de commande qui correspond à ce brûleur et tournez-le dans le sens inverse ↶ des aiguilles d'une montre à la position 🔥 Élevée;
5. Réglez les brûleurs aux niveaux de cuisson voulus.

Si l'allumage de deux brûleurs est requis,
répétez les étapes 1 à 4 pour allumer le deuxième brûleur.

INSTRUCTIONS D'EXTINCTION DU GRIL


1. Tournez les boutons de commande dans le sens ↷ Tournez les boutons de commande dans le sens ●
2. Fermez complètement le robinet de la bonbonne en le tournant dans le sens des aiguilles d'une montre. ↶
3. Abaissez le couvercle.

Couper l'alimentation en gaz PL à la bouteille si l'appareil n'est pas utilisé.

ENTRETIEN ET MAINTENANCE

Grilles de cuisson

Le « nettoyage à chaud » des grilles devrait être exécuté après chaque utilisation (environ 15 minutes après la cuisson). En effet, le gril est déjà chaud et moins de combustible est nécessaire pour obtenir la température requise pour le « nettoyage à chaud ».

Pour nettoyer votre gril à chaud, tournez les boutons de commande à la position la plus élevée  et laissez le gril allumé pendant 15 minutes avec le couvercle fermé. Tournez ensuite les brûleurs à la position d'arrêt et frottez les grilles avec une brosse métallique pour enlever tous les résidus de nourriture.

Les grilles en porcelaine sont revêtues d'émail (comparable au verre) et devraient être manipulées avec soin pour éviter de les ébrécher.

Autres pièces :

⚠ MISE EN GARDE : Avant de le nettoyer ou d'effectuer l'entretien, assurez-vous que le gril est froid et que l'alimentation en gaz est coupée à la bonbonne de gaz GPL.

Produits de nettoyage recommandés

Savon liquide à vaisselle doux, eau tiède, tampon de nettoyage en nylon, brosse métallique. N'UTILISEZ PAS de produits nettoyants qui contiennent de l'acide, des alcools minéraux ou une substance abrasive quelconque.

Surfaces extérieures

Il est recommandé d'utiliser uniquement du savon à vaisselle doux et de l'eau chaude pour nettoyer le gril et les pièces du gril. Rincez à l'eau tiède.

Réceptacle intérieur inférieur du corps du gril

Pour éviter les flammes intermittentes, le réceptacle inférieur de la cuve de cuisson devrait être nettoyé régulièrement. Enlevez les résidus avec une brosse, un grattoir et/ou un tampon nettoyeur. Lavez avec du savon à vaisselle doux et de l'eau tiède. Rincez à l'eau tiède. Évitez de faire pénétrer de l'eau dans les tubes de Venturi des brûleurs.

Éléments chauffants

Enlevez les résidus avec une brosse métallique et lavez avec du savon à vaisselle doux et de l'eau tiède. Rincez à l'eau tiède.

Récupérateur de graisse

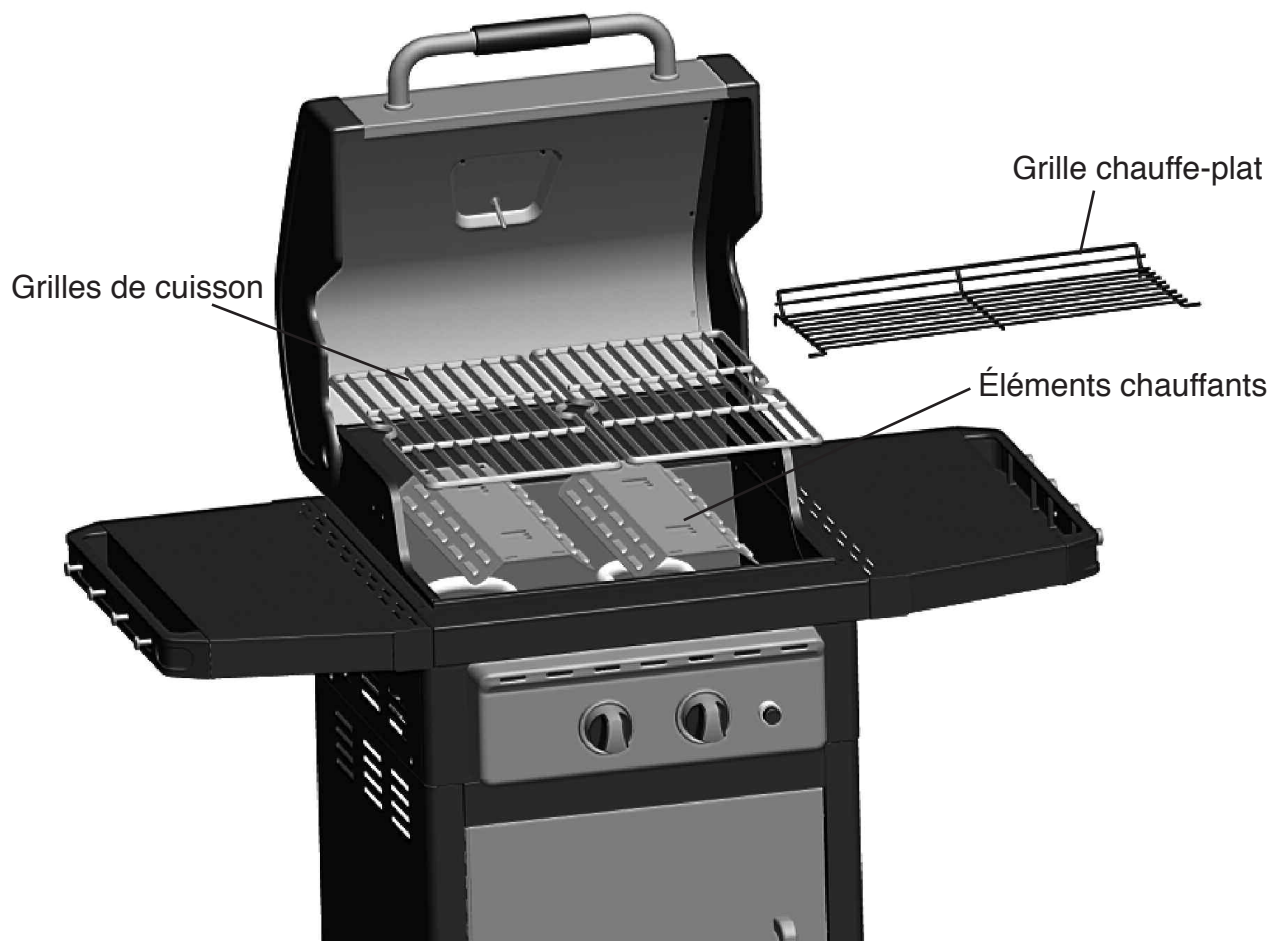
Videz le récupérateur de graisse et nettoyez-le régulièrement avec du savon à vaisselle doux et de l'eau tiède.

ENTRETIEN ET MAINTENANCE

Assemblage de brûleur

Retrait de l'assemblage de brûleur

1. Assurez-vous que tous les boutons de commande sont à la position d'arrêt ●, que le robinet de la bonbonne de gaz GPL est fermé et que la bonbonne est débranchée du détendeur et retirée du gril.
2. Soulevez le couvercle et retirez le chauffe-plat, les grilles de cuisson et les éléments chauffants.

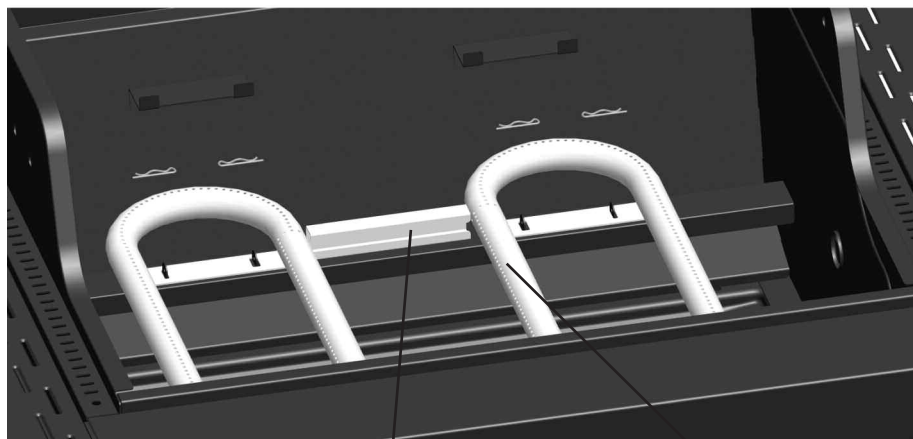


ENTRETIEN ET MAINTENANCE

Assemblage de brûleur

Retrait de l'assemblage de brûleur (suite)

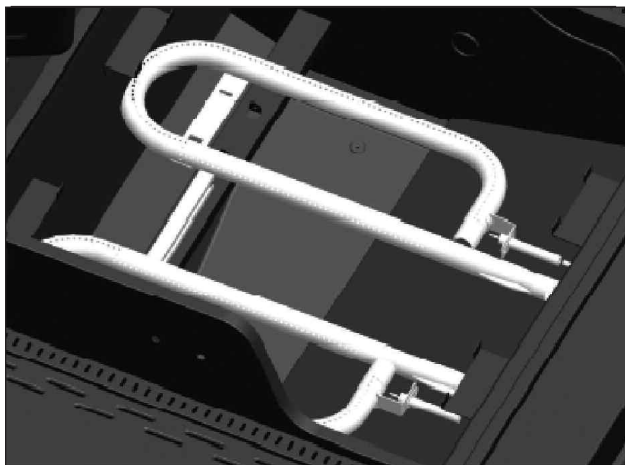
3. Retirez les vis à l'arrière des brûleurs afin de détacher ceux-ci des supports.



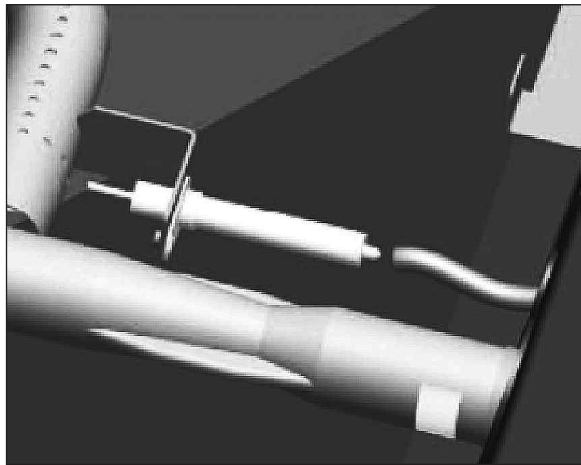
Support de brûleur

Brûleur

4. Faites glisser les brûleurs hors du foyer, tel qu'illustré.



5. Détachez le fil d'allumage de l'allumeur, tel qu'illustré.



ENTRETIEN ET MAINTENANCE

Assemblage de brûleur

Nettoyage de l'assemblage de brûleur – assurez-vous que le gril est froid

1. Coupez l'arrivée du gaz aux boutons de commande et à la bonbonne de propane.
2. Débranchez la bonbonne de gaz GPL du tuyau flexible et du détendeur.
3. Retirez le chauffe-plat, les grilles de cuisson et les éléments chauffants.
4. Détachez les brûleurs des supports en retirant les vis à l'arrière des brûleurs.
5. Détachez à la main uniquement le fil d'allumage de l'électrode. N'UTILISEZ PAS de pinces ou autre outil car ils pourraient endommager l'électrode ou le fil.
6. Soulevez lentement le brûleur
7. Assurez-vous que tous les orifices des brûleurs sont propres et non obstrués. Utilisez une aiguille ou un trombone pour plus de commodité.
8. Assurez-vous que le brûleur n'est pas endommagé. Si c'est le cas, remplacez-le par un brûleur neuf.
9. Assurez-vous que l'extrémité du brûleur et l'obturateur d'air sont exempts de nids d'insectes, de saletés et de débris.

Réinstallation du brûleur

Assurez-vous que les orifices de la soupape de gaz sont au bon emplacement à l'intérieur de l'arrivée de gaz du brûleur (tube de Venturi).

Vous devrez peut-être utiliser une torche pour vous en assurer.

Il est recommandé de vérifier si la position est correcte par les trous de ventilation du foyer, tel qu'illustré ci-après.

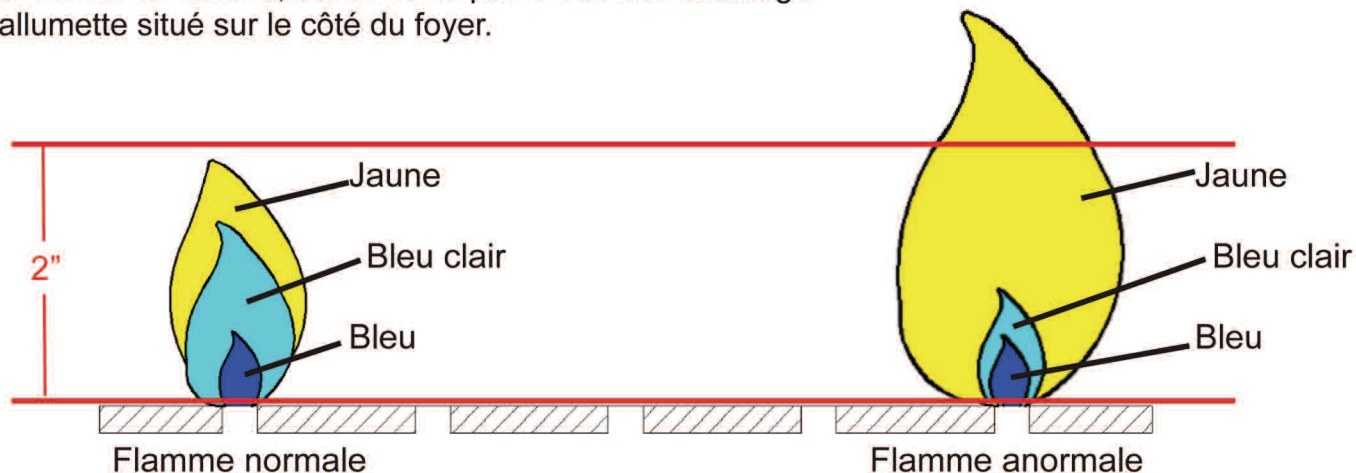


⚠ AVERTISSEMENT : Si les instructions ci-dessus ne sont pas suivies, un incendie ou une explosion pourrait se produire et entraîner des blessures graves voire mortelles.

ENTRETIEN ET MAINTENANCE

Vérification de la flamme

Pour une efficacité maximum du combustible et une cuisson optimale, la flamme devrait être de couleur bleu-jaune et d'une hauteur de 2,54 à 5,08 cm (1 à 2 po). Pour vérifier la flamme, observez-la par le trou de l'allumage à l'allumette situé sur le côté du foyer.



Autres activités d'entretien et de maintenance

Il est recommandé de procéder à une inspection et à une maintenance annuelles de ce gril et de confier cette tâche à un technicien qualifié.

Il est recommandé de s'assurer régulièrement que la zone de l'appareil de cuisson extérieur est exempte de matières combustibles, d'essence et autres vapeurs et liquides inflammables.

Il est recommandé de s'assurer régulièrement que l'écoulement de la combustion et la circulation de l'air de ventilation ne sont pas bloqués.

Il est recommandé de vérifier régulièrement que les orifices de ventilation du logement de la bonbonne (coffret) sont exempts de débris.

Il est recommandé de vérifier et de nettoyer souvent le tube de Venturi et le tube des brûleurs pour déceler la présence éventuelle d'insectes et de nids.

Un tube obstrué peut entraîner un feu sous le gril.

L'allumage électronique nécessite une pile alcaline « AAA » incluse.


⚠ AVERTISSEMENT

N'utilisez PAS de vieilles piles avec des piles neuves.

NE combinez PAS des piles alcalines avec des piles ordinaires (carbone-zinc) ou avec des piles rechargeables (nickel-cadmium).

NE jetez PAS les piles au feu. Une mise au rebut inadéquate pourrait causer une fuite ou faire exploser les piles.

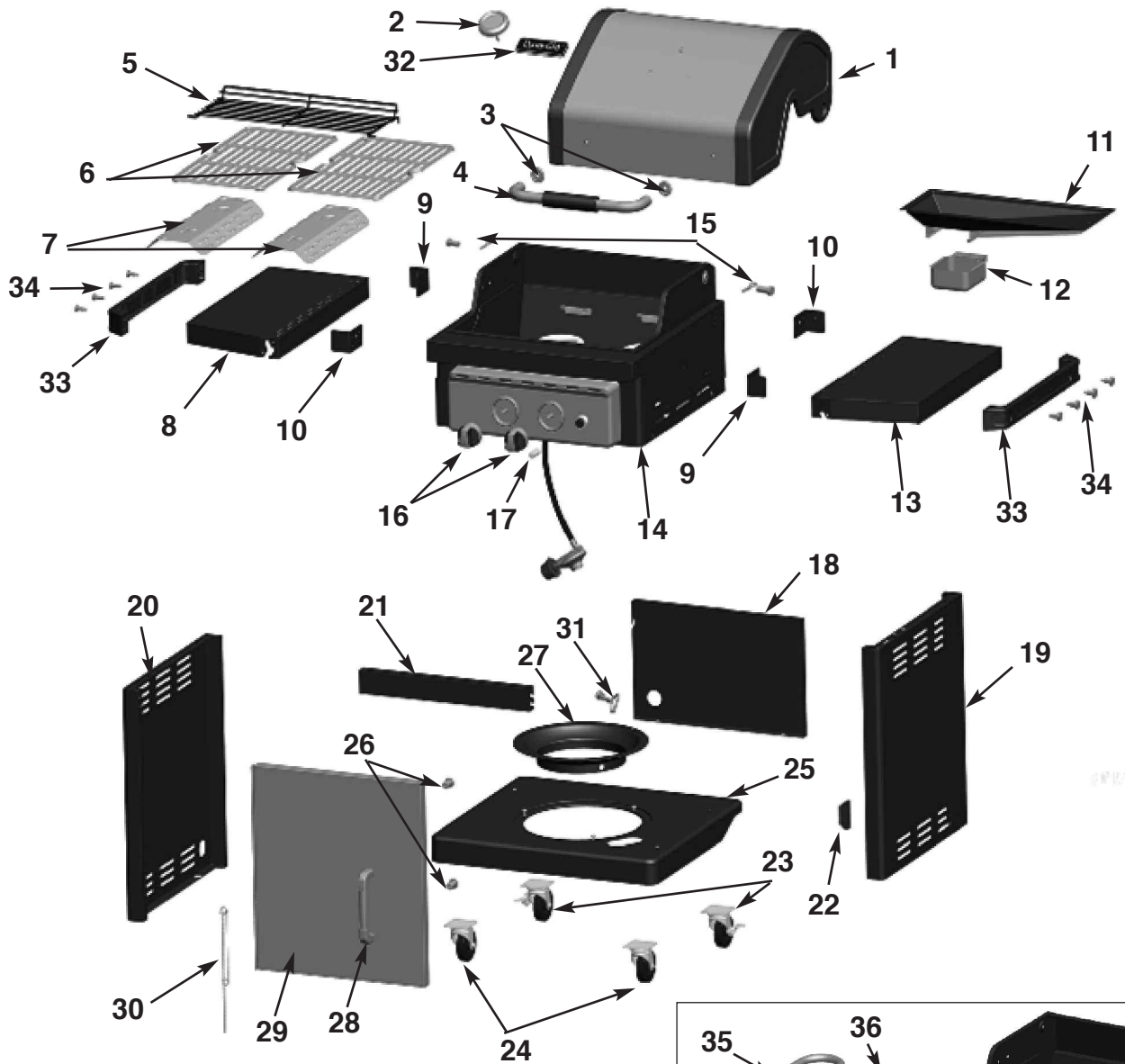
DÉPISTAGE DES PANNES

Problème	Causes possibles	Solutions possibles
<p>Le brûleur ne s'allume pas à l'aide de l'allumeur (pas d'étincelle ou étincelle faible).</p>	<ol style="list-style-type: none"> 1. L'électrode d'allumage est couverte de graisse ou de résidus. 2. Un fil de l'électrode d'allumage est mal raccordé ou déconnecté. 3. L'électrode d'allumage est fissurée ou fendue. 4. La pile est à plat ou la connexion des piles est inadéquate. 	<ol style="list-style-type: none"> 1. Tournez les boutons de commande en position d'arrêt  et nettoyez l'électrode d'allumage à l'aide d'alcool à friction et d'un coton-tige. 2. Vérifiez les fils et reconnectez tout fil mal raccordé ou déconnecté. 3. Remplacez l'électrode d'allumage (consultez la liste des pièces de rechange). 4. Prenez l'une des mesures suivantes : <ol style="list-style-type: none"> a. Remplacez la pile. b. Vérifiez si la pile est insérée correctement. c. Vérifiez si les bornes de la pile présentent des traces de corrosion. d. Vérifiez la connexion des fils tel qu'il est indiqué ci-dessus.
<p>La chaleur est faible.</p>	<ol style="list-style-type: none"> 1. Le régulateur de gaz propane liquéfié est muni d'un dispositif d'excès de débit qui permet normalement de transporter une quantité suffisante de gaz aux brûleurs. Des changements de pression rapides peuvent activer le dispositif et empêcher d'importantes quantités de gaz de se rendre au brûleur. Les flammes demeurent alors basses et la chaleur reste faible. Habituellement, ces changements se produisent lorsque vous ouvrez le robinet de la bouteille de gaz propane liquéfié alors que le robinet d'un brûleur (le bouton de commande) est en position ouverte, ce qui cause une augmentation de pression et active ainsi le dispositif d'excès de débit. 	<ol style="list-style-type: none"> 1. Suivez les étapes ci-dessous : <ol style="list-style-type: none"> a. Fermez le robinet de la bouteille de gaz propane liquéfié situé sur le dessus de la bouteille. b. Assurez-vous que les boutons de réglage des brûleurs sont à la position « OFF » (fermé). c. Ouvrez lentement le robinet de la bouteille de gaz propane liquéfié, puis attendez pendant dix secondes. d. Suivez les instructions relatives à l'allumage.

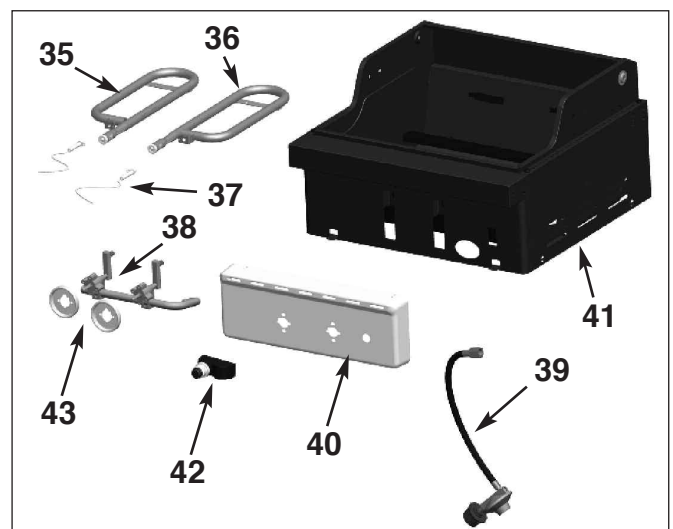
DÉPISTAGE DES PANNES

Problème	Causes possibles	Solutions possibles
<p>Le brûleur ne s'allume pas à l'aide d'une allumette.</p>	<ol style="list-style-type: none"> 1. L'allumette n'atteint pas les brûleurs (lorsque vous la tenez d'une main). 2. La bouteille est vide. 3. La connexion entre le régulateur de valve et le raccord de la bouteille de gaz propane liquéfié est inadéquate. 4. L'entrée du brûleur est obstruée. 	<ol style="list-style-type: none"> 1. Utilisez le support à allumettes situé dans la porte de l'armoire. 2. Vérifiez le niveau de gaz et remplissez la bouteille s'il y a lieu. 3. Tournez les boutons de commande du barbecue en position d'arrêt, fermez la valve située sur le dessus de la bouteille de gaz propane liquéfié et vérifiez la connexion entre la valve du régulateur et le raccord de la bouteille. Au besoin, déconnectez-les et reconnectez-les. 4. Nettoyez le diffuseur de gaz (venturi) et le brûleur selon les instructions de la section « Entretien » du manuel.
<p>Le gaz ne circule pas ou sa circulation est entravée.</p>	<ol style="list-style-type: none"> 1. Le robinet de la bouteille n'est pas complètement ouvert. 2. La bouteille est vide. 3. La connexion entre le régulateur de valve et le raccord de la bouteille de gaz propane liquéfié est inadéquate. 4. L'entrée du brûleur est obstruée. 	<ol style="list-style-type: none"> 1. Ouvrez complètement le robinet de la bouteille en le tournant dans le sens contraire des aiguilles d'une montre. 2. Vérifiez le niveau de gaz et remplissez la bouteille, s'il y a lieu. 3. Tournez les boutons de commande du barbecue en position d'arrêt, fermez la valve située sur le dessus de la bouteille de gaz propane liquéfié et vérifiez la connexion entre la valve du régulateur et le raccord de la bouteille. Au besoin, déconnectez-les et reconnectez-les. 4. Nettoyez le diffuseur de gaz (venturi) et le brûleur selon les instructions de la section « Entretien » du manuel.

LISTE DES PIÈCES DE RECHANGE



14 - Terminez le montage partiel



LISTE DES PIÈCES DE RECHANGE

Réf.	Description	N° de pièce
1	Ensemble de couvercle de grill au gaz - plaque DynaGlo NON INCLUSES	112-02002
2	Jauge de température et écrou	102-02005
3	Collerette de la poignée du couvercle 25mm – emballage de un	101-12004
4	Poignée du couvercle 25mm – vis de fixation incluses – emballage de un	112-12003
5	Grille de maintien au chaud	102-03012
6	Grille de cuisson	101-03011
7	Plaque chauffante – emballage de un	101-03005
8	Tablette latérale gauche - crochets de barre ou d'outil de serviette NON INCLUSES	112-04001
9	Support d'étagère escamotable (Pour le dos d'aile gauche ou l'avant de côté droit)	101-04004
10	Support d'étagère escamotable (Pour l'avant d'aile gauche ou le dos de côté droit)	101-04003
11	Cuvette à graisse – écran thermique inclus	102-04013
12	Bac ramasse-graisse	102-04014
13	Tablette latérale droit - crochets de barre ou d'outil de serviette NON INCLUSES	112-04002
14	Ensemble de foyer du grill - robinet et ensemble de collecteur, tuyau et régulateur, panneau de commande, ainsi que fil d'allumage et électrodes INCLUS	112-03001
15	Pivot du couvercles (avec goupilles fendue) – emballage de 2	101-02007
16	Bouton de commande – emballage de un	101-03001-08
17	Pile AAA (1,5 V)	102-05002
18	Panneau arrière du chariot	102-04006
19	Panneau latéral droit du chariot	102-04010
20	Panneau latéral gauche du chariot	102-04009
21	Traverse supérieure de la porte avant	102-04008
22	Aimant (loquet de porte)	101-14020
23	2.5" roulette avec frein – 4 vis, 4 rondelles plates et 4 rondelles à ressort incluses	101-04017
24	2.5" roulette sans frein – 4 vis, 4 rondelles plates et 4 rondelles à ressort incluses	101-04018
25	Tablette inférieure du chariot	112-04005
26	Poignée de porte du chariot – emballage de un	102-04021
27	Siège de réservoir	112-14005

LISTE DES PIÈCES DE RECHANGE

Réf.	Description	N° de pièce
28	Poignée de porte chariot – vis de fixation incluses	101-01017-00
29	Ensemble de porte avant de chariot – poignée de porte non incluse	101-01016-00
30	Support à allumettes – avec chaîne et vis pour le fixe	101-04019
31	Vis de rétention de la bouteille de gaz de pétrole liquéfié	112-04012
32	Plaque DynaGlo – pour le couvercle	112-12001
33	Barre de serviette pour la table de gauche ou de côté droit	112-14022
34	Crochet d'outil pour la table de gauche ou de côté droit – emballage de un	112-14023
35	Brûleur – gauche – deux vis de fixation incluses	112-03003
36	Brûleur – droit – deux vis de fixation incluses	112-03004
37	Électrode d'allumage avec fil d'allumage	102-03013
38	Robinet et ensemble de collecteur de gaz de pétrole liquéfié	102-03007
39	Tuyau et régulateur de gaz de pétrole liquéfié	102-03008
40	Panneau de commande	112-13006
41	Ensemble de foyer – heurtoirs de couvercle inclus	102-13002
42	Bouton d'allumage électronique – couvercle du bouton non incluse	102-03023
43	Collerette du bouton de commande – emballage de un	102-03010
n/a	Paquet de quincaillerie	112-05001
n/a	Manuel d'instructions	70-10-004

GARANTIE LIMITÉE

Nom de l'article : Gril au gaz GPL
N° de modèle : DGP350SNP/DGP350SNP-D
Puissance BTU : 30 000 BTU/h

La garantie de 1 an de ce barbecue au gaz propane liquéfié (et celle de 5 ans des brûleurs en acier inoxydable) couvre les pièces brisées ou endommagées au moment de l'achat. Le barbecue est garanti contre tout défaut. La peinture est garantie contre tout défaut, à l'exception de la rouille qui peut apparaître après une utilisation répétée.

La garantie ne couvre pas les dommages ou les problèmes liés à une négligence, à un usage abusif ou aux modifications apportées à l'appareil. La garantie ne couvre pas les coûts de main-d'œuvre.

Toutes les pièces couvertes par la garantie seront expédiées sans frais selon la méthode choisie par le fabricant (envoi terrestre par US Mail ou Parcel Post **UNIQUEMENT**). Tout montant additionnel (par exemple, la livraison le lendemain, le surlendemain, etc.) relève de la responsabilité du consommateur.

Toutes les réclamations au titre de la garantie ne peuvent être effectuées que par l'acheteur initial du produit et nécessitent une preuve d'achat qui indique la date d'achat. Ne retournez aucune pièce sans avoir obtenu un numéro d'autorisation de retour de notre service à la clientèle. Vous pouvez appeler sans frais notre service à la clientèle au 1 800 963-0211, entre 8 h et 18 h (HNE), du lundi au jeudi, ou entre 8 h et 17 h (HNE) le vendredi.

AVIS : Certains États ou certaines provinces ne permettent pas une limitation de la durée de la garantie implicite ou une exclusion ou une limitation des dommages accidentels ou consécutifs, de sorte que les limitations ou exclusions mentionnées ci-dessus peuvent ne pas s'appliquer à vous. Cette garantie vous confère des droits précis. Il est possible que vous disposiez également d'autres droits, qui varient d'un État ou d'une province à l'autre.

GHP Group, Inc.
6440 W. Howard St.
Niles, IL, USA 60714-3302
Numéro sans frais : 1-877 447-4768

MANUAL DEL USUARIO E INSTRUCCIONES PARA EL FUNCIONAMIENTO



C US

ANS Z21.58b-2012 CSA 1.6b-2012
Unidad de gas para cocinar al aire

Ensamblador/instalador: Este manual contiene información importante necesaria para el ensamblaje adecuado y uso seguro de esta unidad. Lea y observe todas las advertencias e instrucciones antes de ensamblar y utilizar esta unidad. **Deje estas instrucciones con el consumidor.**

Consumidor/usuario: Observe todas las advertencias e instrucciones antes de utilizar esta unidad. **Conserve este manual para referencia futura.**



PELIGRO:

Si detecta olor de gas:

1. Cierre el gas que está conectado a la unidad.
2. Extinga cualquier llama expuesta.
3. Abra la tapa.
4. Si el olor continúa, manténgase alejado de la unidad y llame de inmediato a la compañía que le suministra el gas o al departamento de bomberos local.



ADVERTENCIA:

1. No almacene ni utilice gasolina ni otros líquidos o vapores inflamables cerca de esta unidad ni de ninguna otra.
2. No deberá almacenar cerca de la parrilla ni de ninguna otra unidad un cilindro de LP que no esté conectado para utilizar.
3. Esta parrilla es para uso en exteriores únicamente y no debe utilizarse en un edificio, garaje, bajo voladizos o en cualquier otra área encerrada.
4. No deje desatendida la parrilla cuando esté encendida. Mantenga alejados de la unidad a los niños y las mascotas en todo momento.

¿Tiene preguntas, problemas o le faltan piezas? Antes de regresar al distribuidor, llame a nuestro departamento de servicio al cliente al 1-877-447-4768 de 8:30 a.m. a 4:30 p.m., Hora del Centro, de lunes a viernes, o escríbanos por correo electrónico a customerservice@ghpgroupinc.com.



NO TIENE QUE REGRESAR A LA TIENDA

- ¿Tiene preguntas respecto al ensamblaje?
- ¿Necesita información sobre las piezas?
- ¿Se encuentra el producto bajo garantía del fabricante?

Llame gratis al: 1-877-447-4768

8:30 a.m. – 4:30 pm Hora del Centro, de lunes a viernes

Conserve este manual del usuario y prueba de compra para referencia futura

Para ayudarnos a asistirle

Llene la información siguiente:

Fecha de compra

Lugar de compra

Número de modelo

Número de serie
del producto

EL NÚMERO DE MODELO Y DE SERIE SE ENCUENTRAN
EN LA ETIQUETA DE CLASIFICACIÓN DE SU PARRILLA.

ÍNDICE

Información sobre seguridad 2 - 3

Contenido del empaque 4 - 5

Lista de piezas ilustrada 6 - 7

Contenido del paquete de accesorios 7

Preparación 7

Instrucciones de ensamblaje 8 - 16

Instrucciones de funcionamiento 17 - 21

Cuidado y mantenimiento 22 - 26

Localización y solución de problemas 27 - 28

Lista de repuestos 29 - 31

Garantía 32



INFORMACIÓN DE SEGURIDAD

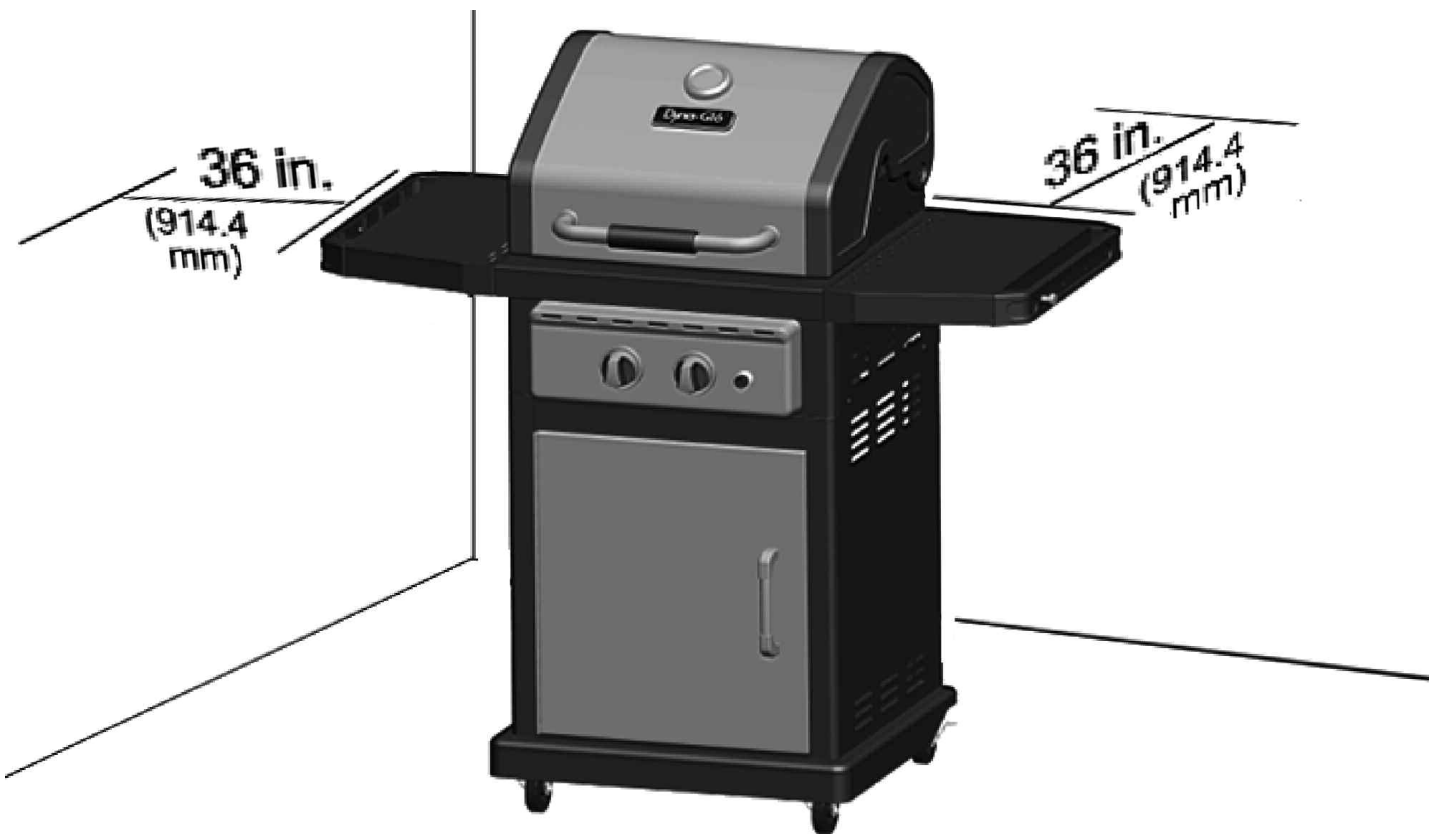
Lea y comprenda la totalidad de este manual antes de intentar ensamblar, utilizar o instalar el producto. Si tiene preguntas relacionadas con el producto, llame al servicio al cliente al 1-877-447-4768, de 8:30 a.m. a 4:30 pm, Hora del Centro, de lunes a viernes

1. NO almacene ni utilice gasolina ni ningún otro vapor o líquido inflamable a una distancia de 25 pies (8 m) de esta o de cualquier otra unidad.
2. Un cilindro de gas LP que no esté conectado para ser utilizado debe almacenarse a un mínimo de 10 pies (3 m) de ésta o de cualquier otra unidad.
3. Esta parrilla utiliza únicamente gas propano (el cilindro de gas propano no se suministra).
4. Nunca intente fijar esta parrilla al sistema autónomo de propano de un barco, caravana, remolque, casa rodante o vivienda.
5. Nunca utilice carbón ni líquido encendedor en la parrilla.
6. No utilice gasolina, querosén ni alcohol para encender. El cilindro de gas LP que se utiliza con esta unidad deberá:
 - (a) Estar fabricado y marcado de acuerdo con las especificaciones para cilindros de propano líquido del Departamento de Transporte de EE.UU. (DOT) o las Normas Nacionales de Canadá, CAN/CSA-B339, cilindros, esferas y tubos para el transporte de mercancías peligrosas; y la Comisión, si fuese pertinente; y
 - (b) Poseer un dispositivo de prevención de llenado excesivo que esté clasificado.
 - (c) Poseer un dispositivo de conexión del cilindro que sea compatible con el conector para unidades de cocción en exteriores. Esta parrilla para exteriores no está diseñada para ser instalada en vehículos recreacionales y/o barcos.
7. No intente mover la parrilla cuando esté encendida o caliente. Las ruedas deben estar trabadas cuando no esté moviendo la parrilla.
8. No utilice la parrilla a menos que esté completamente ensamblada y todas las partes estén adecuadamente aseguradas y ajustadas.
9. Mantenga todos los artículos y superficies combustibles con una separación de al menos 36 pulgadas (91,4 cm) de la parrilla en todo momento.
10. No utilice en una atmósfera explosiva. Mantenga el área de la parrilla despejada de materiales combustibles, gasolina y otros vapores y líquidos inflamables.
11. No toque las partes metálicas de la parrilla hasta que se haya enfriado completamente (aproximadamente 45 minutos) para evitar quemaduras, a menos que esté utilizando equipo protector (agarraderas, guantes, mitones para parrillas, etc.).
12. No altere la parrilla en modo alguno.
13. Limpie e inspeccione la manguera antes de cada uso. Si existe evidencia de abrasión, desgaste, cortes o fugas, deberá reemplazarla antes de utilizar la parrilla. El ensamble de manguera de reemplazo deberá ser el especificado por GHP Group, indicado en la lista de piezas de repuesto de este manual.
14. Mueva las mangueras de gas tan lejos como sea posible de las superficies calientes y de la grasa caliente que gotea.
15. Nunca conserve un envase lleno en un carro que esté caliente ni en el portaequipaje del carro. El calor incrementará la presión del gas, lo cual puede hacer que se abra la válvula de alivio y que escape el gas.
16. Conserve limpios el compartimiento de válvulas de gas, los quemadores y los conductos para la circulación del aire. Inspeccione la parrilla antes de cada uso. No obstruya el flujo de gas ni el aire de la ventilación.
17. El uso de alcohol, medicamentos recetados o sin receta puede comprometer la capacidad del usuario para ensamblar y utilizar de forma segura y adecuada esta unidad.
18. Siempre abra la tapa de la parrilla lenta y cuidadosamente ya que el vapor atrapado dentro de la parrilla podría provocar quemaduras graves.
19. No deje desatendida la parrilla cuando esté encendida. Mantenga alejados de la unidad a los niños y las mascotas en todo momento.
20. **No deje desatendida la parrilla cuando esté encendida. Mantenga alejados de la unidad a los niños y las mascotas en todo momento.**
21. No utilice la parrilla cuando haya viento.
22. No modifique esta parrilla para el uso con otras bases interiores o al aire libre, tales como encimeras o islas de la parrilla de la reunión informal.
23. No utilice esta parrilla dentro.

INFORMACIÓN DE SEGURIDAD

ADVERTENCIA

No coloque la parrilla bajo construcciones combustibles ni toldos. La separación mínima de los lados y la parte posterior de la unidad hacia las construcciones combustibles debe ser 36 pulgadas (91,4 cm) desde los lados y la parte posterior.



NOTA: Todas las instalaciones deberán conformarse con la normativa local, o en ausencia de normativas locales, bien con la normativa Nacional para Combustibles de Gas, ANSI Z223.1/NFPA 54, Normativa para la instalación de gas natural o propano, CSA B149.1 o con la Normativa para el almacenaje y manejo de propano CSA B149.2.

ADVERTENCIA PROPUESTA 65 DE CALIFORNIA:

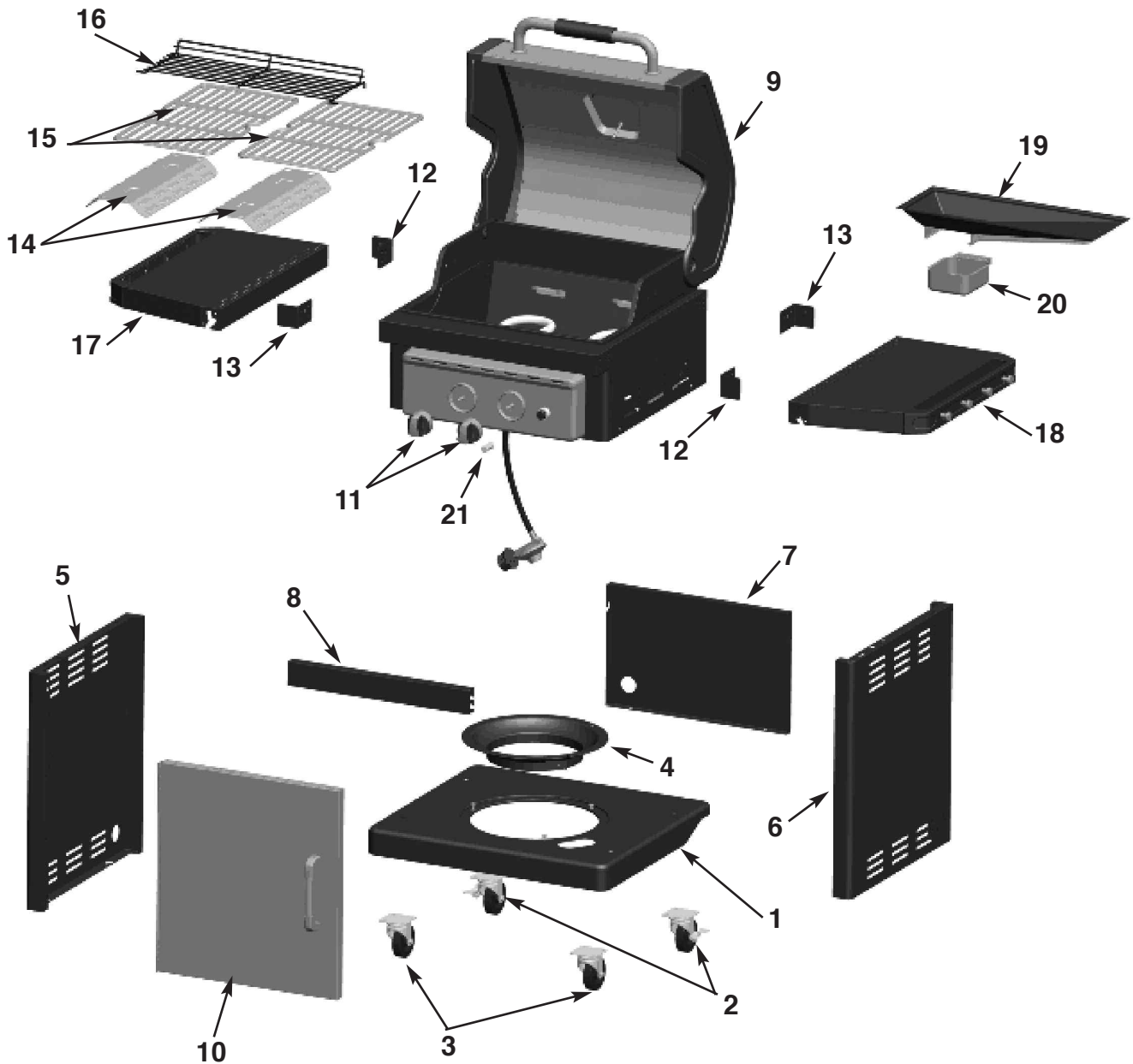
Los combustibles que se usan en electrodomésticos de combustión a gas o petróleo y los productos de la incineración de dichos combustibles contienen sustancias químicas reconocidas por el estado de California como causantes de cáncer, defectos congénitos u otros daños en el aparato reproductivo. Este producto contiene sustancias químicas, incluido plomo y compuestos de plomo, reconocidas por el estado de California como causantes de cáncer, defectos congénitos u otros daños en el aparato reproductivo. **Lávese las manos después de manipularlo.**

CONTENIDO DEL EMPAQUE

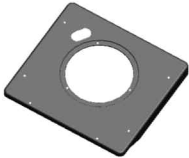






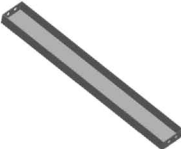





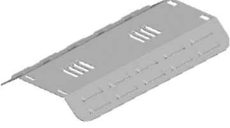
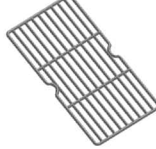
ANTES DE COMENZAR A ENSAMBLAR, DESEMPAQUE LA CAJA Y VERIFIQUE EL CONTENIDO. COMPARE LAS PIEZAS CON LA LISTA DEL EMPAQUE Y EL DIAGRAMA. SI HAY PARTES FALTANTES O DAÑADAS, NO INTENTE ENSAMBLAR EL PRODUCTO. COMUNÍQUESE CON EL SERVICIO AL CLIENTE PARA LAS PIEZAS DE REPUESTO.
1-877-447-4768 8:30 a.m. – 4:30 pm Hora del Centro, de lunes a viernes.

Pieza N°	Descripción	Cant.	Pieza N°	Descripción	Cant.
1	Anaqueles inferior	1	12	Soporte desmontable de anaquel 1	2
2	Rueda con bloqueo	2	13	Soporte desmontable de anaquel 2	2
3	Rueda	2	14	Cubierta para concentrar calor	2
4	Asiento del tanque	1	15	Rejilla de cocción	2
5	Panel lateral izquierdo de la unidad	1	16	Rejilla para calentar	1
6	Panel lateral derecho de la unidad	1	17	Anaqueles izquierdo	1
7	Panel posterior de la unidad	1	18	Anaqueles derecho	1
8	Refuerzo de puerta frontal superior	1	19	Bandeja de recolección de grasa	1
9	Cuerpo de la parrilla	1	20	Recipiente de grasa	1
10	Ensamble de la puerta	1	21	Batería del AAA	1
11	Perilla de control	2			

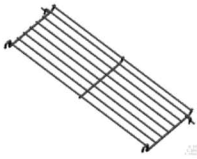

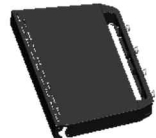

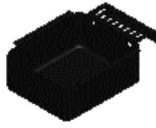

CONTENIDO DEL EMPAQUE









LISTA ILUSTRADA DE PARTES

<p>Anaquele inferior</p>  <p>1</p>	<p>Rueda con bloqueo</p>  <p>2</p>	<p>Rueda</p>  <p>3</p>
<p>Asiento del tanque</p>  <p>4</p>	<p>Panel lateral izquierdo de la unidad</p>  <p>5</p>	<p>Panel lateral derecho de la unidad</p>  <p>6</p>
<p>Panel posterior de la unidad</p>  <p>7</p>	<p>Refuerzo de la puerta superior</p>  <p>8</p>	<p>Cuerpo de la parrilla</p>  <p>9</p>
<p>Ensamble de la puerta</p>  <p>10</p>	<p>Perilla de control</p>  <p>11</p>	<p>Soporte desmontable de anaquel 1</p>  <p>12</p>
<p>Soporte desmontable de anaquel 2</p>  <p>13</p>	<p>Cubierta para concentrar calor</p>  <p>14</p>	<p>Rejilla de cocción</p>  <p>15</p>

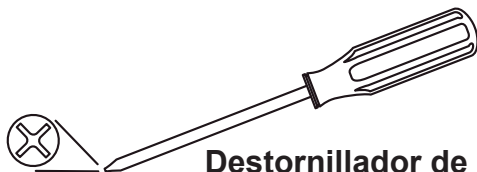
LISTA ILUSTRADA DE PARTES

Rejilla para calentar  16	Anaquel izquierdo  17	Anaquel derecho  18
Bandeja de recolección de grasa  19	Recipiente de grasa  20	Batería del AAA  21

CONTENIDO DE LOS PAQUETES DE ACCESORIOS

Part No.	Description	Qty	Fig
A	Tornillo M6x12	31	
B	Tornillo M4 x 10	4	
C	Tornillo cuello liso con punta roscada M6	4	
D	Tornillo M5 x 12	16	
E	Arandela de presión	16	
F	Arandela plana	16	

Herramientas necesarias para desempacar, ensamblar y probar fugas en este producto:



Destornillador de estrella



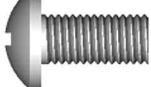


Envase para rociar

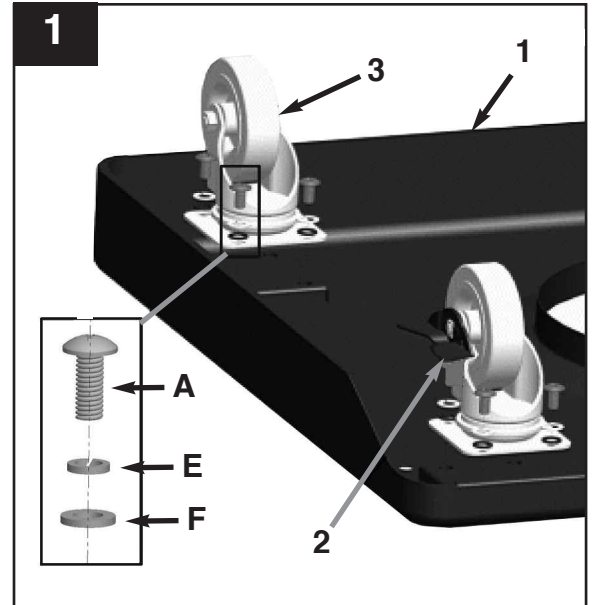
Tiempo de ensamblaje estimado: 30-45 minutos

INSTRUCCIONES PARA EL ENSAMBLAJE

1. Localice las dos ruedas de bloqueo (2) y las dos ruedas sin bloqueo (3). Fije las dos ruedas de bloqueo (2) en la parte trasera (área de la plataforma inferior de corte) de la plataforma inferior (1) con cuatro tornillos (A) que se inserta a través de cuatro arandelas de presión (E), entonces a través de cuatro arandelas planas (F) y en los orificios roscados en el estante inferior (1). Fije las dos ruedas sin bloqueo (3) en la parte delantera de la plataforma inferior (A) con cuatro tornillos (A) que se inserta a través de cuatro arandelas de presión (E), entonces a través de cuatro arandelas planas (F) y en los orificios roscados en el estante inferior (A). Apriete todos los tornillos.

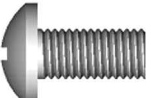
Aditamentos Utilizados

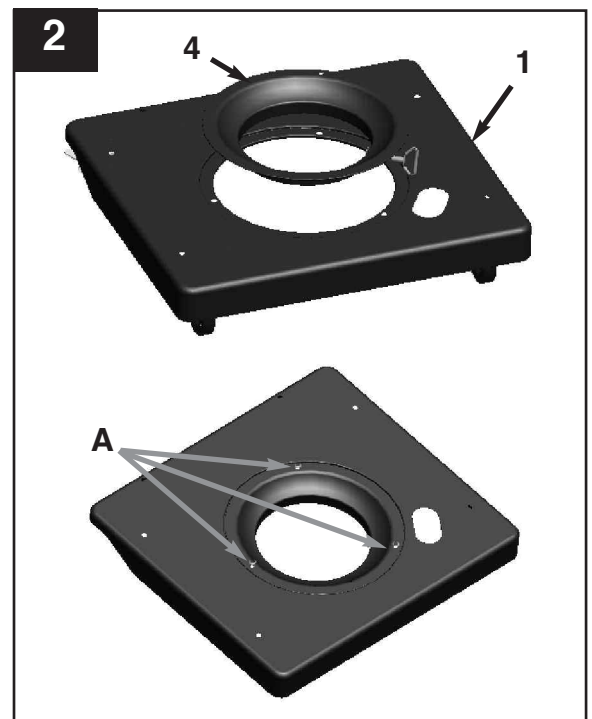
A	Tornillo M6 x 12		x16
E	Arandela de presión		x16
F	Arandela plana		x16



2. Asegurar el asiento del tanque (4) a la plataforma inferior (1) con tres tornillos (A).

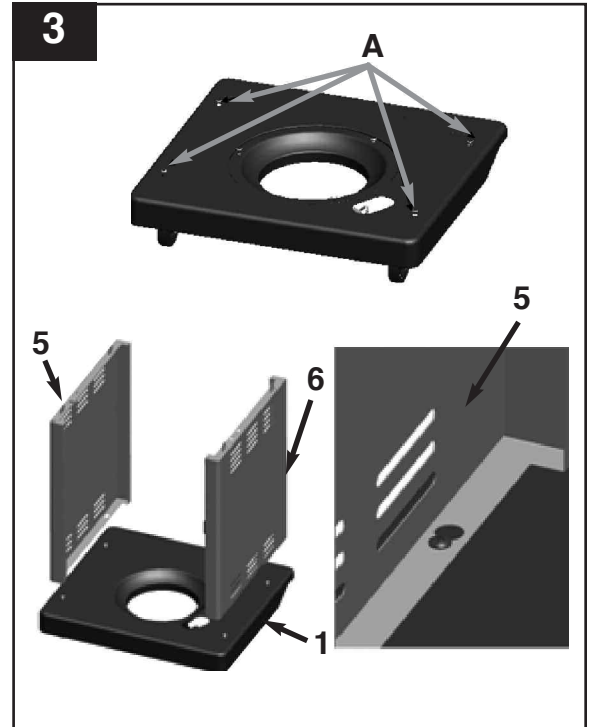
Aditamentos Utilizados

A	M6 x 12 Screw		x3
----------	---------------	---	----



INSTRUCCIONES PARA EL ENSAMBLAJE

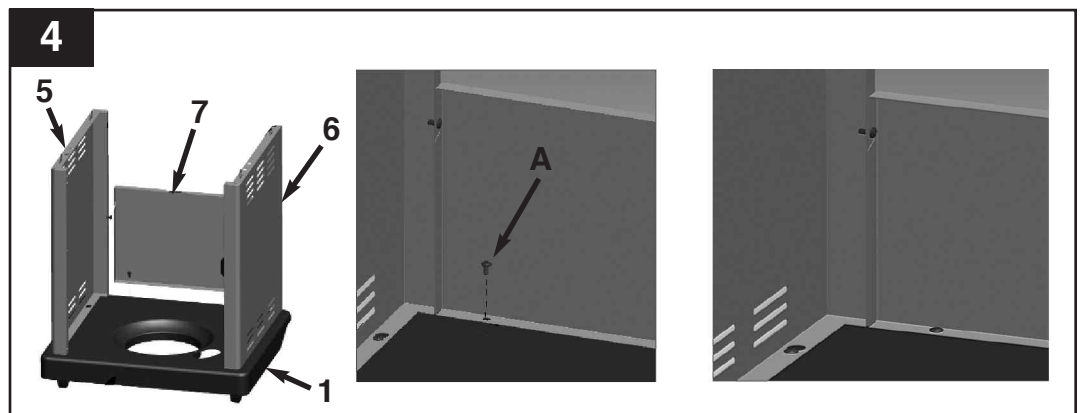
3. Inserte cuatro tornillos (A) hasta la mitad en los agujeros roscados en el estante inferior (1). Coloque el panel carrito lado izquierdo (5) mediante la colocación de los orificios del panel sobre las cabezas de tornillo (A) en el lado izquierdo de la plataforma inferior (1). Deslice el panel lateral izquierdo carrito (5) de manera que la cabeza del tornillo está en la parte más pequeña de la cerradura. Enrosque el tornillo (A) hacia abajo ajustada pero sin apretar como poca capacidad de maniobra será necesario en los siguientes pasos de montaje. Repita con el panel lateral derecho de compra (6).



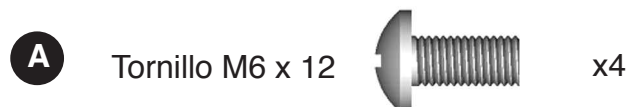
Aditamentos Utilizados



4. Inserte un tornillo (A) hasta la mitad en la mitad trasera agujero roscado de cada uno de los laterales carrito de la izquierda y los paneles del lado derecho (5 y 6). Fije el panel posterior de la compra (7) deslizando el ojo de la cerradura en el panel posterior de la compra (7) sobre los tornillos insertados. Deslice el panel trasero carro (7) hasta cumplir con estante inferior (1). Fije el panel posterior del carro (7) a la plataforma inferior (1) con 2 tornillos (AA). Apriete todos los tornillos, incluidos los 4 tornillos en los paneles laterales de la compra (5 y 6).



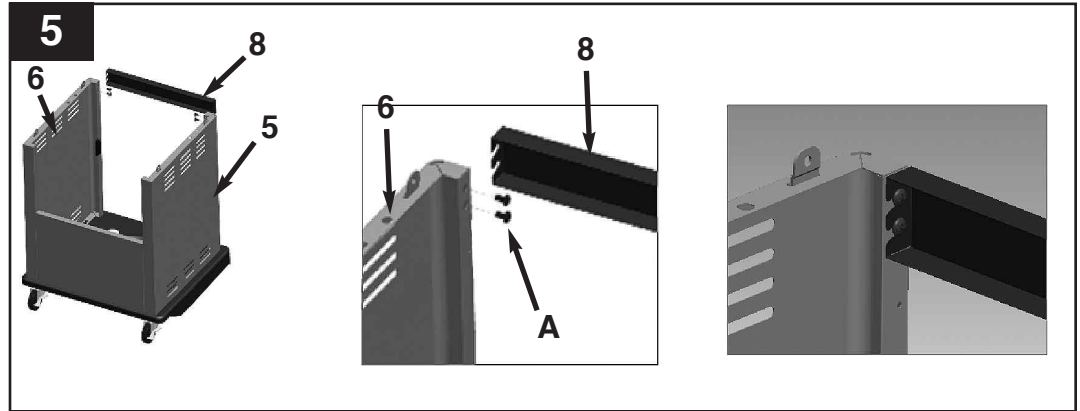
Aditamentos Utilizados



INSTRUCCIONES PARA EL ENSAMBLAJE

5. Inserte dos tornillos (A) a mitad de camino en los orificios de la parte frontal superior de la rosca tanto en el panel carrito lado izquierdo (5) y el derecho de compra del panel lateral (6).

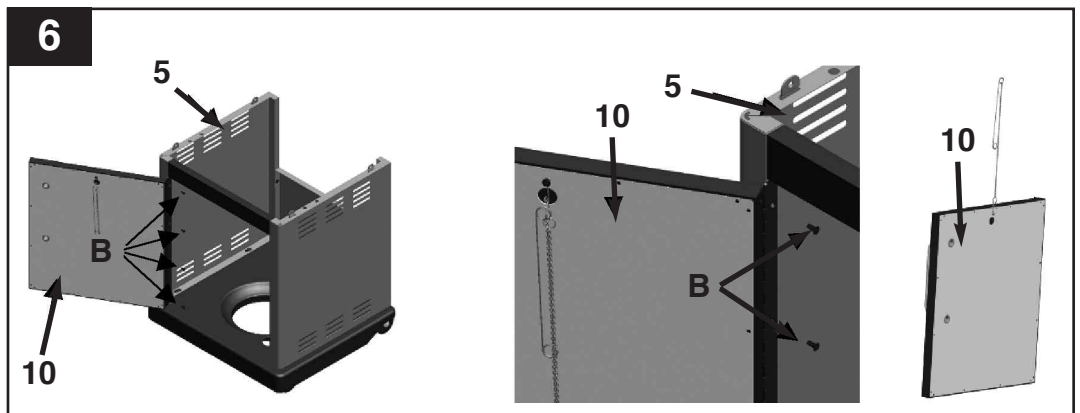
Conecte la llave de la puerta delantera superior (8), deslizando los cortes en la llave de puerta de entrada (8) sobre los 4 tornillos (A) y apretando los cuatro tornillos (A).



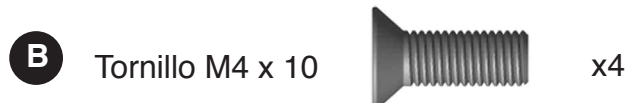
Aditamentos Utilizados



6. Conecte el ensamble de la puerta (10) al cuerpo carro montado por la alineación de los orificios de la bisagra de la puerta de montaje con los agujeros en el panel carrito lado izquierdo (5), la inserción de 4 tornillos (B) y apriete. Ajuste el montaje de la puerta (10) la autorización para el cuerpo carrito aflojando un poco los 4 tornillos (B), la alineación de la asamblea pista (10) con el cuerpo carro, luego apretando todos los tornillos (B) de forma segura.



Aditamentos Utilizados

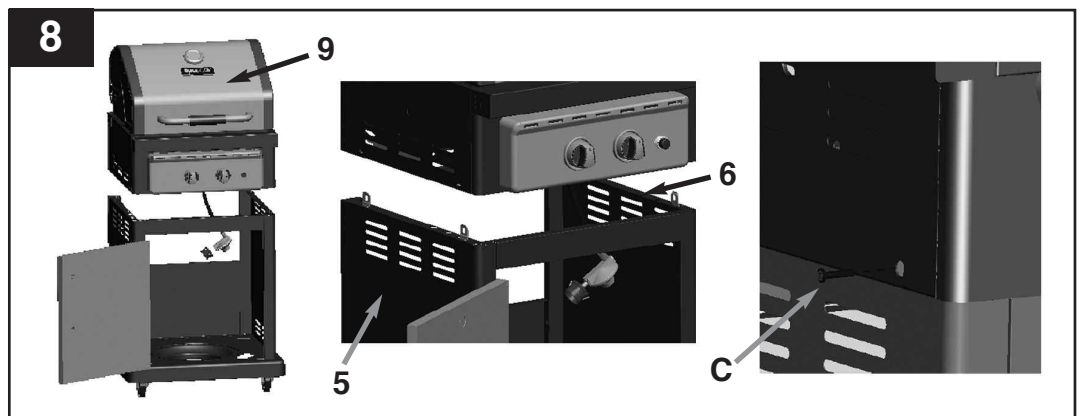


INSTRUCCIONES PARA EL ENSAMBLAJE

7. Perilla de control de deslizamiento (11) en los vástagos de válvula situada en el panel de control frontal del cuerpo de la parrilla (9).



8. Coloque cuidadosamente el cuerpo de la parrilla (9) sobre las fichas de montaje de los paneles laterales carrito (5 y 6) y en el carro. Ajustar el cuerpo de la parrilla (9) a fin de que los agujeros en el cuerpo de la parrilla (9) están alineados con los agujeros en las pestañas de los paneles laterales carrito (5 y 6).
 NOTA: Asegúrese de que la manguera de gas está dentro de la cesta. Fije el parrilla cuerpo (9) con 2 tornillos (C) en cada lado.



Aditamentos Utilizados

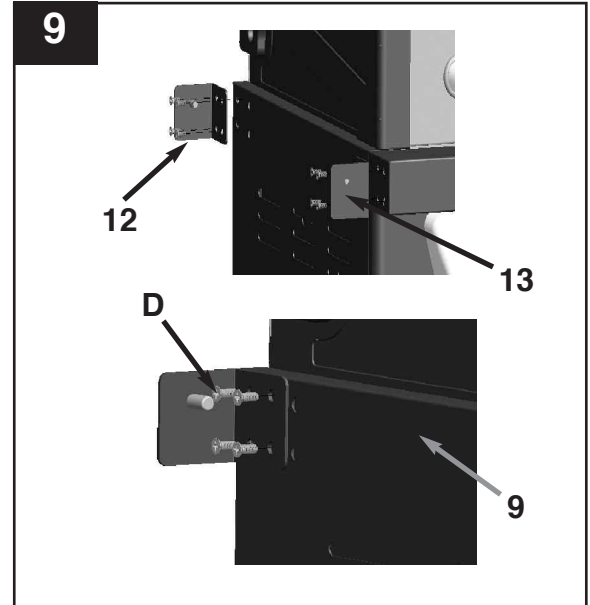
- C** Tornillo M6 x 20  x4

INSTRUCCIONES PARA EL ENSAMBLAJE

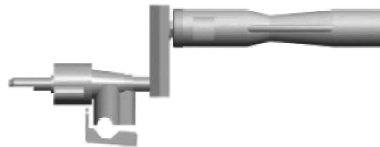
9. **NOTA:** Las soportes desmontable de anaquel 1 (12) se utilizará para la parte delantera derecha y la colocación del lado izquierdo trasero. Las soportes desmontable de anaquel 2 (13) se utiliza tanto para la parte trasera derecha y la colocación del lado izquierdo delantero. Instalar las soportes desmontable de anaquel 1 (12) y las soportes desmontable de anaquel 2 (13) en ambos lados del cuerpo de la parrilla con los tornillos (D). Las flechas de corte de los soportes indicar la posición correcta de la ayuda cuando se ajuste al cuerpo parrilla (9).

Aditamentos Utilizados

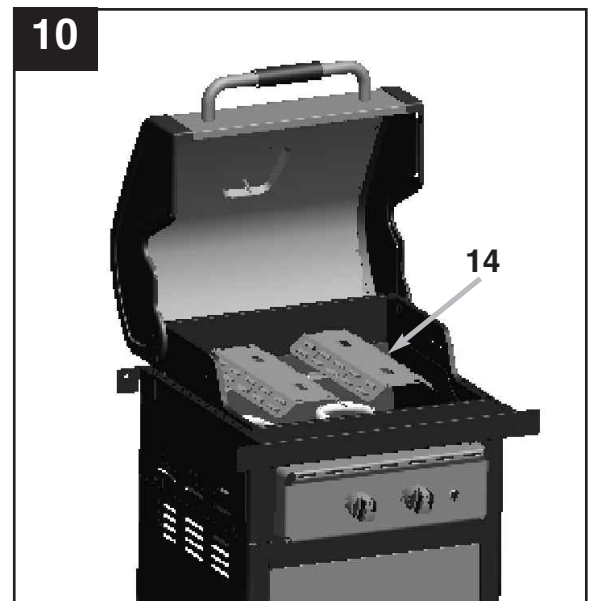
D Tornillo M5 x 12 x16

⚠ ADVERTENCIA: ES MUY IMPORTANTE PARA VERIFICAR Y ASEGURAR ESE QUEMADOR TODOS Y CADA UNO ESTÁ TOTALMENTE COMPROMETIDO CON ORIFICIO DE LA VÁLVULA ADYACENTES ANTES DE COMPLETAR EL PASO 10. DE LO CONTRARIO PUEDE PROVOCAR UN INCENDIO O EXPLOSIÓN, LESIONES GRAVES O LA MUERTE. CONSULTE LAS INSTRUCCIONES DE SECCIÓN DE MANTENIMIENTO PARA COMPROBAR CORRECTAMENTE LACOMPROMISO.



10. Abra la tapa y coloque las dos tiendas de calor (14) en los soportes directamente sobre los quemadores.

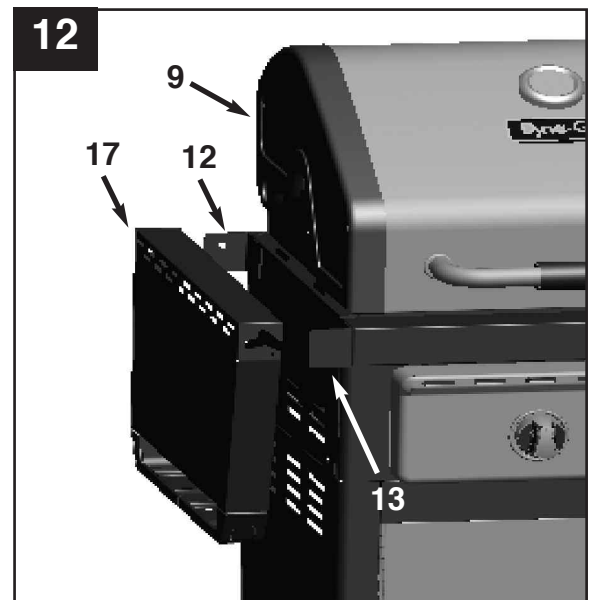


INSTRUCCIONES PARA EL ENSAMBLAJE

11. Lugar las parrillas de cocción (15) en el cuerpo y llaves parrilla trasera parrilla, a continuación, insertar la rejilla de cocción (16) en los 2 orificios situados en el borde posterior del cuerpo de la parrilla (9).

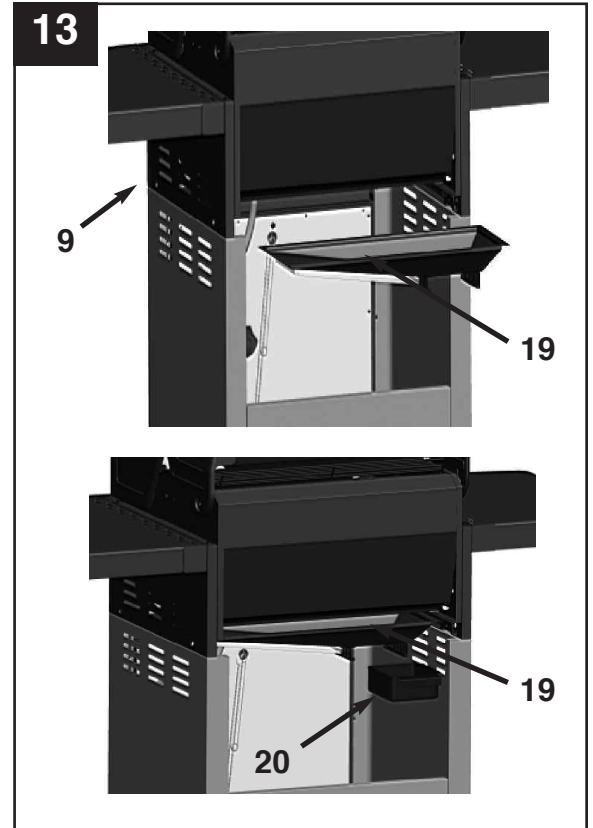


12. Con la tabla de la izquierda (17) en una posición perpendicular, alinee las ranuras en la tabla de la izquierda (17) con la tabla de los soportes laterales (12 y 13) y de inserción. Para bloquear la tabla de la izquierda (17) en posición vertical, giro de la mesa del lado izquierdo (17) 90 grados hacia arriba, empuje hacia el cuerpo de la parrilla (9), y presione hacia abajo sobre la mesa el lado izquierdo (17) cerca del cuerpo de la parrilla hasta que quede bien sujeta en su lugar. Repita el procedimiento con la tabla de la derecha (18).

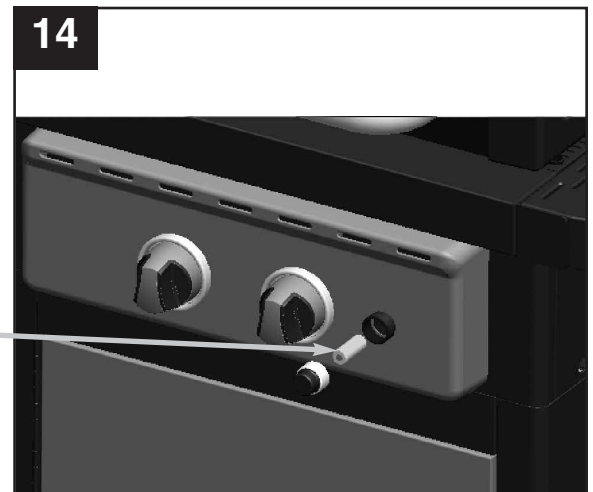


INSTRUCCIONES PARA EL ENSAMBLAJE

13. Inserte la bandeja de recolección de grasa (19) en la posición de deslizamiento en el cuerpo de la parrilla (9) desde la parte trasera, a lo largo de los carriles situados justo debajo de la parte inferior del cuerpo de la parrilla (9). Inserte el recipiente de grasa (20) en su posición deslizándola en los carriles situados en la parte inferior de la bandeja de recolección de grasa (19).

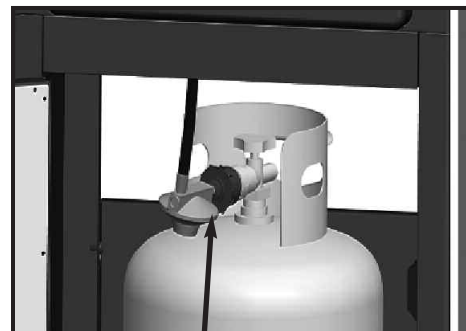


14. Quite la tapa de encendido girando en sentido contrario a las agujas del reloj. Inserte la batería AAA (21) en el cuerpo del encendedor con positivo "+" final hacia afuera. Vuelva a colocar la tapa de encendido.



INSTRUCCIONES PARA EL ENSAMBLAJE

15. Abra las puertas del carrito e inserte el cilindro de gas LP (se vende por separado) en el orificio de alojamiento ubicado en el estante inferior. Alinee el acoplador con tornillo manual de la manguera/regulador con la válvula roscada del cilindro girando el cilindro de gas LP hasta que se ubique correctamente. Apriete a mano el acoplador de la manguera/regulador a la válvula roscada del cilindro de gas LP. Apriete el tornillo del tanque hasta que el cilindro esté seguro dentro del orificio de alojamiento del carrito.



Acoplador de la manguera/regulador



Tornillo del estanco

REVISIÓN PARA DETECCIÓN DE FUGAS

Después de efectuar todas las conexiones, revise las conexiones y acoples de la válvula del tanque de gas LP, la manguera de gas y el regulador en busca de fugas con una solución de agua y jabón.

Para evitar incendio o explosión mientras efectúa pruebas para detectar fugas:

- Siempre efectúe las pruebas para detectar fugas antes de encender la parrilla.
- No fume mientras realice pruebas para detectar fugas.
- Siempre efectúe pruebas para detectar fugas en exteriores, en un área bien ventilada.
- No utilice ninguna fuente de llamas mientras efectúa pruebas para detectar fugas.
- No utilice la parrilla hasta que todas y cada una de las fugas hayan sido corregidas.
- Si no puede corregir una fuga, desconecte el suministro de propano y llame a una empresa distribuidora de servicio de gas.

EFFECTÚE UNA PRUEBA DE FUGA DE GAS

- Prepare una solución de prueba combinando 1 parte de jabón líquido para lavar platos con 3 partes de agua. La solución total necesaria es aproximadamente 2-3 onzas (70-90 ml). Coloque la solución de prueba en un envase para rociar.
- Compruebe que todas las perillas de control estén en la posición 'OFF'.
- Abra la válvula del tanque de gas LP.
- Rocíe la solución de prueba en todas las conexiones y acoples por donde pase gas. La presencia de burbujas en las áreas donde se aplicó la solución de prueba indica una fuga de gas. Si se detectan fugas, huela gas o escucha el sonido del gas saliendo, cierre inmediatamente el tanque de gas LP y repare o reemplace la pieza defectuosa. No utilice la parrilla hasta que todas y cada una de las fugas hayan sido corregidas.

INSTRUCCIONES PARA EL ENSAMBLAJE

Completamente ensamblado

Vista frontal



Vista posterior



INSTRUCCIONES PARA EL FUNCIONAMIENTO

PRECAUCIÓN:

**¡Utilice únicamente el regulador y el ensamble de manguera que se suministra!
Si es necesario un reemplazo, llame a nuestro Centro de Servicio al Cliente.
No utilice piezas de reemplazo que no estén diseñadas para esta parrilla.**

Conexión del cilindro de gas:

El cilindro de suministro de gas propano que se utilice deberá estar fabricado y marcado de acuerdo con las especificaciones para cilindros de propano líquido del Departamento de Transporte de EE.UU. (DOT) o las Normas Nacionales de Canadá, CAN/CSA-B339, cilindros, esferas y tubos para el transporte de mercancías peligrosas; y la Comisión, si fuese pertinente; y provisto con un dispositivo de prevención de llenado excesivo.

Utilice únicamente cilindros de 20 libras (alto 18,11" [46 cm] diámetro del tanque 9,84" [25 cm], diámetro de la pata: 8.03" [20,4 cm]) equipado con un dispositivo de conexión del cilindro compatible con la conexión para equipos de cocción en exteriores. El cilindro deberá incluir un anillo para proteger la válvula del cilindro. ¡El cilindro de gas no debe dejarse caer ni manipularse bruscamente!

Si la unidad no está en uso, el cilindro de gas deberá desconectarse. Se permite el almacenaje de una unidad en interiores ÚNICAMENTE si el cilindro está desconectado y retirado de la misma. Los cilindros de propano deberán almacenarse en exteriores, fuera del alcance de los niños y no en un edificio, garaje u otra área encerrada. Su cilindro nunca deberá almacenarse donde las temperaturas puedan sobrepasar 125° F (51,7° C)!

Coloque la tapa guardapolvo sobre la salida de la válvula del cilindro cuando el cilindro no esté en uso. Solo instale en la válvula del cilindro el tipo de tapa guardapolvo que se incluye con la válvula del cilindro. Otros tipos de tapas o tapones pueden provocar escapes de propano.

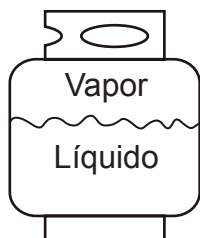
Antes de efectuar la conexión, asegúrese de que no haya desechos atrapados en la salida del cilindro de gas, en la salida de la válvula del regulador o en la salida del quemador o de los terminales del quemador.

Conecte la válvula del regulador y apriete firmemente con la mano. Desconecte el cilindro de propano de la válvula del regulador cuando la parrilla no esté en uso. NO obstruya el flujo del aire de combustión ni del aire de ventilación en la parrilla. El cilindro de propano deberá disponerse para la salida del vapor y equiparse con un dispositivo de prevención de llenado excesivo que esté clasificado para ello. Coloque el cilindro con la orientación adecuada para permitir la salida del vapor.

INSTRUCCIONES PARA EL FUNCIONAMIENTO

⚠ ADVERTENCIA:

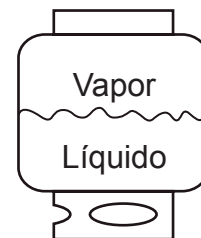
El cilindro deberá estar totalmente vertical para que pueda tener la salida de vapor.



Correcto



Incorrecto



Incorrecto

⚠ PRECAUCIÓN

- No almacene un cilindro de gas LP de repuesto debajo ni cerca de esta unidad.**
- Nunca llene el cilindro a más del 80 por ciento de su capacidad.**
- Si la información de (a) y (b) no se sigue exactamente, podría ocurrir un incendio que cause la muerte o lesiones graves.**

INSTRUCCIONES PARA EL FUNCIONAMIENTO

Cómo conectar el tanque de propano líquido

⚠ ADVERTENCIA: DEBERÁN SEGUIRSE TODAS LAS INSTRUCCIONES Y PRECAUCIONES DE ESTA PÁGINA PARA EVITAR INCENDIO, DAÑOS Y/O LESIONES.

CONEXIÓN DEL TANQUE DE GAS PROPANO

1. La perilla del tanque de gas propano debe estar cerrada. Asegúrese de girar la perilla en dirección de las manecillas del reloj ↻ hasta que se detenga por completo. Se debe adaptar el sistema de suministro del cilindro para la extracción de vapores.
2. Verifique que la perilla de control en la unidad de control esté apagada.
3. Retire la tapa protectora de la válvula del tanque de gas propano y la tuerca del conector.
4. Sostenga el regulador con una mano e inserte la boquilla en la salida de la válvula. Asegúrese de que la boquilla esté centrada en la salida de la válvula. La tuerca del conector se conecta a las roscas externas grandes en la salida de la válvula. Tenga cuidado, no dañe las roscas de la conexión.
5. Apriete a mano la tuerca del conector en dirección de las manecillas del reloj ↻ hasta que se detenga por completo. Apriete bien, a mano solamente. No use herramientas.

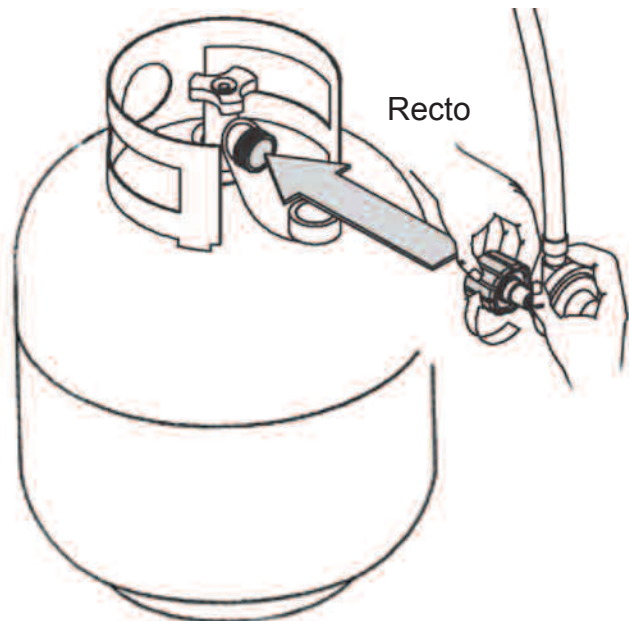
Para desconectar: Cierre completamente la válvula del tanque girándola en dirección de las manecillas del reloj ↻.

Gire la tuerca de acoplamiento en dirección contraria a las manecillas del reloj ↻ hasta que el ensamble del regulador se separe.

⚠ ADVERTENCIA

En el proceso de la conexión, cerciórese de que:

- el conector de entrada del regulador corresponda con la salida de la válvula del cilindro adecuadamente, de forma segura y firme, y ;
- que la manguera de gas LP no esté en contacto ni permanezca en contacto con la cámara de combustión.



INSTRUCCIONES PARA EL FUNCIONAMIENTO

Cómo encender la parrilla

Antes de utilizar por primera vez

Retire todo lo que esté colgando o las bandas plásticas, si estuvieren presentes.

Antes de cocinar en su nueva parrilla a gas, es importante limpiarla con calor.

Para hacerlo, haga funcionar la parrilla durante aproximadamente 15 minutos con la tapa cerrada y la perilla de control en la posición más alta. Esto limpiará las partes internas quemando cualquier residuo u olor del proceso de fabricación.

⚠ PRECAUCIÓN

Si la llama se apaga de manera accidental durante el encendido o el funcionamiento, CIERRE inmediatamente la válvula del cilindro y las perillas de control.

⚠ ADVERTENCIA

No se incline sobre la parrilla cuando al este encendiendo. Lea las instrucciones antes de encender.

INSTRUCCIONES PARA EL ENCENDIDO

1. Compruebe que todas las perillas de control estén en la posición 'OFF'. ●
2. Abra completamente la válvula del tanque girándola en el sentido antihorario. ⤴
3. Abra la tapa durante el encendido.
4. Oprima y gire la perilla de control en el sentido antihorario ⤴ desde la posición de apagado (off) pasando por la posición de encendido ⚡ hasta la posición alta. 🔥
Es posible que necesite repetir varias veces para encender el quemador. Si no se enciende en 5 segundos, gire el(los) control(es) a la posición de apagado (off), espere 5 minutos y repita el proceso de encendido.

Si aún así el quemador no enciende, revise que haya gas en el cilindro y siga las instrucciones de encendido con fósforos.

INSTRUCCIONES PARA EL FUNCIONAMIENTO

⚠ ADVERTENCIA

No se incline sobre la parrilla cuando al este encendiendo. Lea las instrucciones antes de encender.

CÓMO ENCENDER LA PARRILLA CON UN FÓSFORO

1. Inserte un fósforo en el extremo del portafósforos que está instalado en la parte interior de la puerta del gabinete.
2. Encienda el fósforo.
3. Coloque inmediatamente el fósforo encendido a través del agujero de 20 mm que se encuentra en el costado del cuerpo de la parrilla más cercano al quemador que desea encender. Cerciórese de que el fósforo encendido esté cercano al terminal del quemador.
4. Presione la perilla de control que funciona con el quemador y gírelo en el sentido antihorario ↶ a la posición 🔥 High (alto) y el quemador debe encenderse de inmediato.
5. Ajuste los quemadores a la graduación de cocción que desee.

Si necesita encender ambos quemadores, repita los pasos 1 al 4 para encender el otro quemador.

INSTRUCCIONES PARA APAGAR


1. Gire las perillas de control en el sentido horario ↷ a la posición OFF. ●
2. Cierre completamente la válvula del tanque girándola en el sentido horario. ↷
3. Cierre la tapa.

Apagar el suministro LP del cilindro cuando el artefacto no esté en uso.

CUIDADO Y MANTENIMIENTO

Parrillas para cocinar

El mejor momento para “limpiar” las rejillas es después de cada uso (aprox. 15 minutos). La parrilla ya está caliente de la cocción y por ello requiere menos combustible para obtener la temperatura necesaria para la “limpieza”.

Para “limpiar” la parrilla con calor, gire los quemadores a la posición más alta  y deje funcionando durante aproximadamente 15 minutos con la tapa cerrada. Luego apague los quemadores y utilice un cepillo de alambre para limpiar los residuos de alimentos de las parrillas.

Las rejillas de porcelana tienen un acabado de esmalte (similar al vidrio) y deben manejarse con cuidado para no dañarlas.

Otras piezas

⚠ PRECAUCIÓN: Cerciórese de que la parrilla esté fría antes de limpiarla o proporcionarle mantenimiento y cierre el suministro de gas en el cilindro de gas LP.

Productos de limpieza recomendados

Jabón líquido suave para lavar platos, agua tibia, almohadilla de nailon para limpieza, cepillo de alambre. NO utilice limpiadores que contengan ácido, alcoholes minerales ni ninguna sustancia abrasiva.

Superficies externas

Se recomienda que utilice sólo jabón suave para lavar platos y agua caliente para limpiar las rejillas y las partes de la parrilla. Enjuague con agua tibia.

Bandeja inferior interna del cuerpo de la parrilla

Para evitar llamaradas, la bandeja inferior de la caja de cocción debe limpiarse regularmente. Retire el residuo utilizando un cepillo, un raspador y/o una almohadilla para limpiar. Lave con jabón suave para lavar platos y agua tibia. Enjuague con agua tibia. Evite salpicar agua en los tubos venturi de los quemadores.

Cubiertas para concentrar calor

Limpie los residuos con el cepillo de alambre y lávelo con jabón suave para lavar platos y agua tibia. Enjuague con agua tibia.

Recipiente para grasa

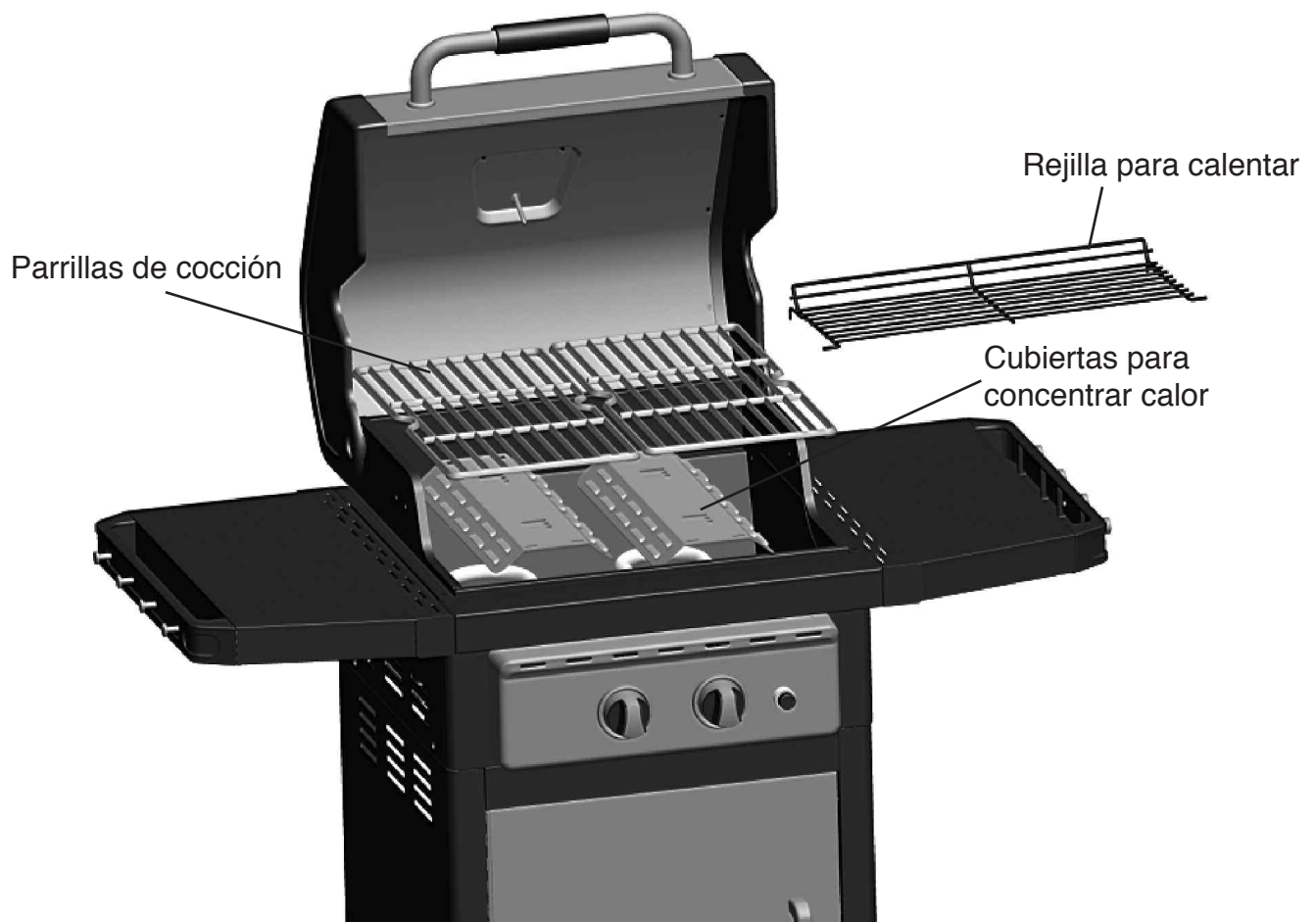
Vacíe el recipiente para grasa y límpielo regularmente con jabón suave para lavar platos y agua tibia.

CUIDADO Y MANTENIMIENTO

Ensamble del quemador

Cómo retirar el ensamble del quemador

1. Cerciórese de que todas las perillas de control estén en la posición OFF, ● que la válvula del tanque de gas esté cerrada y que el tanque esté desconectado del regulador y retirado de la parrilla.
2. Abra la tapa y retire la rejilla para calentar, las rejillas de cocción y las cubiertas para concentrar el calor.

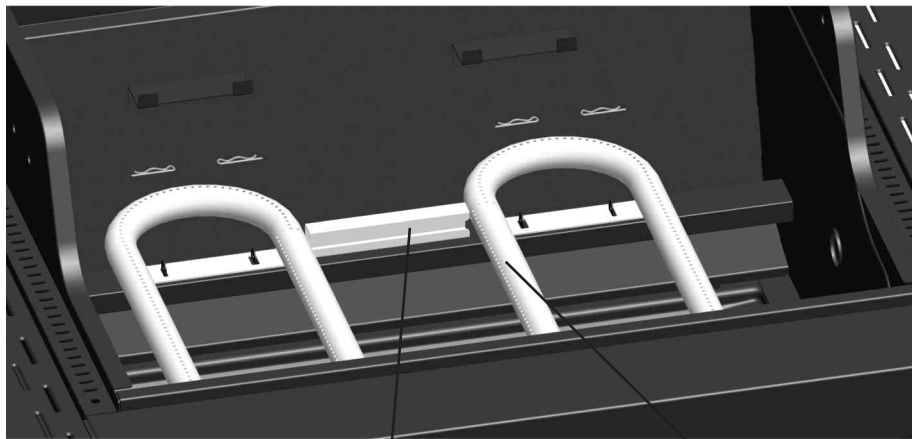


CUIDADO Y MANTENIMIENTO

Ensamble del quemador

Cómo retirar el ensamble del quemador (continuación)

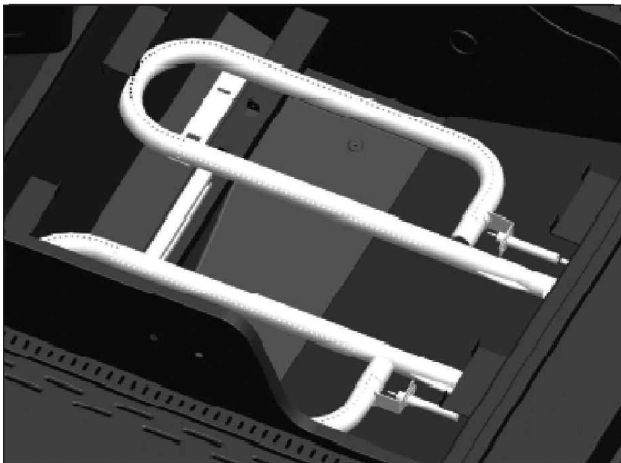
3. Retire los tornillos en la parte posterior de los quemadores para separarlos de los soportes.



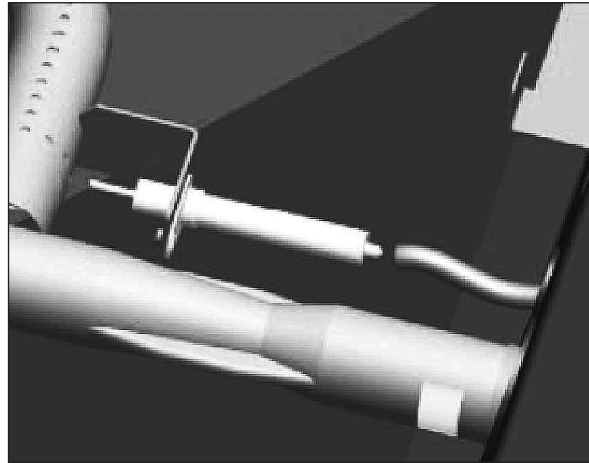
Soporte del quemador

Quemador

4. Saque los quemadores de la cámara de combustión como se ilustra.



5. Separe el cable de encendido del encendedor como se ilustra.



CUIDADO Y MANTENIMIENTO

Ensamble del quemador

Limpieza del ensamble del quemador – Cerciórese de que la parrilla esté fría

1. Cierre el suministro de gas en las perillas de control y en el tanque de propano.
2. Desconecte el cilindro de gas LP de la manguera y el regulador
3. Retire la rejilla para calentar, las rejillas de cocción y las cubiertas para concentrar el calor.
4. Separe el quemador retirando los tornillos de la parte posterior de los quemadores para separarlos de los soportes.
5. Separe el cable de encendido del electrodo a mano únicamente. NO utilice un alicate ni ninguna otra herramienta ya que puede dañar el electrodo o el cable.
6. Levante el quemador lentamente
7. Cerciórese de que todos los terminales del quemador estén desobstruidos. Utilice un alfiler o un sujetador de papel.
8. Cerciórese de que el quemador no esté dañado. Si está dañado, reemplácelo por uno nuevo.
9. Compruebe que el extremo del quemador y la pantalla primaria de aire no tengan nidos de insectos, suciedad ni desechos.

Reinstalación del quemador

Cerciórese de que los orificios de la válvula de gas estén correctamente ubicados dentro de la entrada del quemador (venturi).

Puede que sea necesario utilizar una linterna para lograr la posición correcta.

Se recomienda observar la posición correcta a través de los orificios de ventilación de la cámara de combustión como se ilustra.



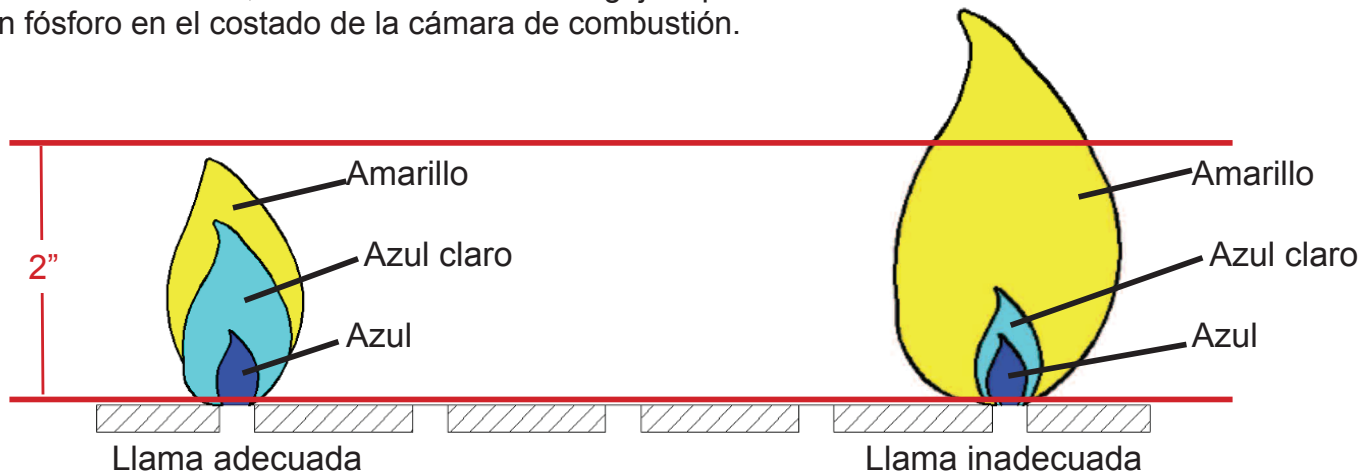
⚠ ADVERTENCIA: Si no se observan las instrucciones, puede ocurrir un incendio o explosión que cause posiblemente lesiones físicas graves o la muerte.

CUIDADO Y MANTENIMIENTO

Revisión de la llama

Para máxima eficiencia del combustible y rendimiento, la llama debe ser de un color azul-amarillo y tener entre 1 y 2 pulgadas (2,5 – 5 cm) de alto.

Para revisar la llama, obsérvela a través del agujero para encender con fósforo en el costado de la cámara de combustión.



Otras medidas para el cuidado y mantenimiento

Se recomienda que una persona calificada para efectuar el servicio realice la inspección y servicio de esta unidad anualmente.

Se recomienda que el usuario revise regularmente que el área de cocción en exteriores esté limpia y sin materiales combustibles, gasolina u otros vapores o líquidos inflamables.

Se recomienda que el usuario revise regularmente que el flujo para la combustión y el aire de la ventilación no estén obstruidos.

Se recomienda que el usuario revise regularmente que las aberturas para ventilación del gabinete donde se encuentra el cilindro estén limpias y sin desechos.

Se recomienda que revise y limpie regularmente los tubos del quemador/venturi para eliminar los insectos y los nidos de insectos. Un tubo obstruido puede conducir a un incendio detrás de la parrilla.

El encendido electrónico requiere una batería alcalina “AAA”, que viene incluida.


⚠ ADVERTENCIA

NO mezcle baterías antiguas con nuevas.

NO mezcle baterías alcalinas, estándar (zinc-carbono) o recargables (níquel cadmio).

NO incinere las baterías, una eliminación incorrecta de las baterías puede provocar que éstas exploten o se filtren.

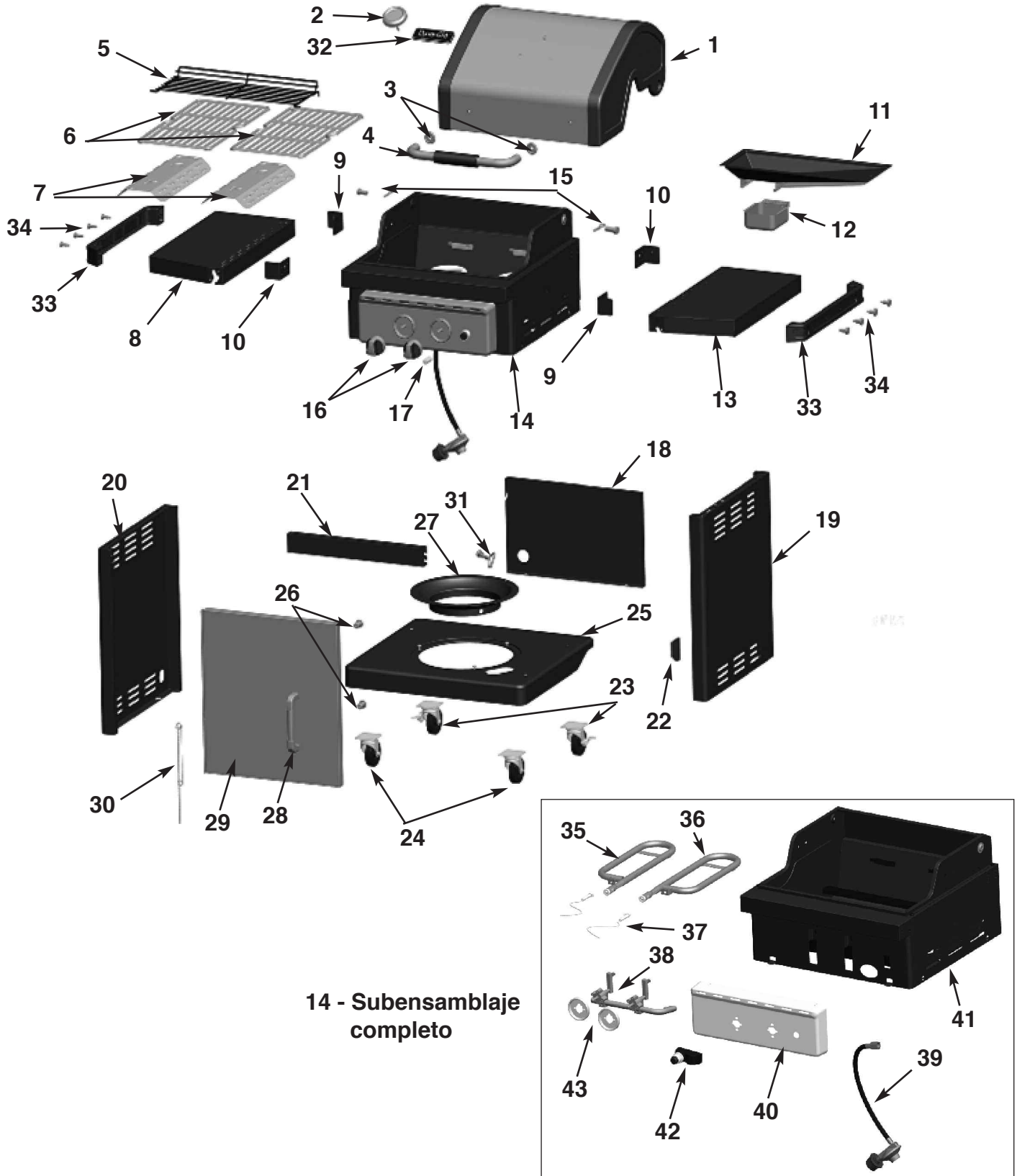
LOCALIZACIÓN Y SOLUCIÓN DE PROBLEMAS

Problema	Causas posibles	Soluciones posibles
<p>El quemador no se enciende con el procedimiento de encendido (se produce una chispa débil o no hay chispa).</p>	<ol style="list-style-type: none"> 1. El electrodo de encendido puede estar tapado con grasa o residuos. 2. El electrodo de encendido puede tener un cable suelto o desconectado. 3. El electrodo de encendido está agrietado o roto. 4. Se agoto la batería o la conexión de la batería es inadecuada. 	<ol style="list-style-type: none"> 1. Gire las perillas de control a la posición de apagado  y limpie el electrodo de encendido con alcohol para frotar y un hisopo. 2. Revise la conexión y vuelva a conectar los cables sueltos o desconectados. 3. Reemplace el electrodo de encendido (consulte la lista de piezas de repuesto). 4. Realice cualquiera de las siguientes acciones: <ol style="list-style-type: none"> a. Reemplace la batería. b. Verifique que la batería esté insertada correctamente. c. Verifique que no haya corrosión alrededor de los terminales de la batería. d. Revise las conexiones de los cables como se indicó anteriormente.
<p>Calor bajo.</p>	<ol style="list-style-type: none"> 1. El regulador de gas LP está equipado con un dispositivo de flujo excesivo que permite que los quemadores reciban suficiente gas en circunstancias normales. Los cambios bruscos en la presión pueden activar este dispositivo y evitar que el quemador reciba más que el mínimo flujo de gas, provocando una llama pobre y una salida de calor baja. Esto normalmente se produce porque la válvula del cilindro de gas LP se abre cuando una o más válvulas de quemadores (perillas de control) están en la posición abierta, provocando un aumento de presión que activa el dispositivo de exceso de flujo. 	<ol style="list-style-type: none"> 1. Siga los siguientes pasos: <ol style="list-style-type: none"> a. Cierre la válvula del cilindro de gas LP en la parte superior del cilindro. b. Asegúrese de que las válvulas del quemador estén en la posición "OFF". c. Abra lentamente la válvula del cilindro de gas LP y espere 10 segundos. d. Siga las instrucciones de encendido.

LISTA DE REPUESTOS

Problème	Causes possibles	Solutions possibles
<p>El quemador no se enciende al utilizar un fósforo.</p>	<ol style="list-style-type: none"> 1. El fósforo no alcanza los quemadores (cuando sostiene el fósforo con una mano). 2. Vacíe el tanque. 3. Hay una mala conexión entre el regulador de la válvula y el acoplador del cilindro PL. 4. La entrada del quemador está bloqueada. 	<ol style="list-style-type: none"> 1. Utilice el porta fósforos ubicado en la puerta del gabinete. 2. Revise el nivel de combustible y vuelva a llenar el tanque si es necesario. 3. Cierre las perillas de la parrilla y la válvula del cilindro PL ubicada en la parte superior del cilindro y revise la conexión entre la válvula del regulador y el acoplador del cilindro. Desconecte y vuelva a conectar si es necesario. 4. Limpie la entrada del quemador (venturi) y el quemador como se describe en la sección Cuidado y mantenimiento del manual.
<p>No hay flujo de gas o el flujo de gas está obstruido.</p>	<ol style="list-style-type: none"> 1. La válvula del tanque no está instalada o completamente abierta. 2. Vacíe el tanque. 3. Hay una mala conexión entre el regulador de la válvula y el acoplador del cilindro PL. 4. La entrada del quemador está bloqueada. 	<ol style="list-style-type: none"> 1. Abra completamente la válvula del tanque girándola en dirección contraria a las manecillas del reloj. 2. Revise el nivel de combustible y reemplace el combustible si es necesario. 3. Cierre las perillas de la parrilla y la válvula del cilindro PL ubicada en la parte superior del cilindro y revise la conexión entre la válvula del regulador y el acoplador del cilindro. Desconecte y vuelva a conectar si es necesario. 4. Limpie la entrada del quemador (venturi) y el quemador como se describe en la sección Cuidado y mantenimiento del manual.

LISTA DE REPUESTOS



LISTA DE REPUESTOS

# Ref.	Descripción	Pieza n.º
1	Ensamble de la tapa de la parrilla: NO INCLUYE: insignia de DynaGlo	112-02002
2	Medidor de temperatura y tuerca	102-02005
3	Bisel de la manija de la tapa 25mm (paquete de 1)	101-12004
4	Manija de la tapa 25mm: incluye tornillos para fijarla	112-12003
5	Parrilla para calentar	102-03012
6	Rejilla de cocción	101-03011
7	Cámara de calor (paquete de 1)	101-03005
8	Mesa lateral izquierda: NO INCLUYE barra de toalla o ganchos de la herramienta	112-04001
9	Soporte desmontable de anaquel (frente del derecho posterior o del lado izquierdo)	101-04004
10	Soporte desmontable de anaquel (frente del izquierdo posterior o del lado derecho)	101-04003
11	Bandeja de recolección de grasa con escudo térmico	102-04013
12	Recipiente de grasa	102-04014
13	Mesa lateral derecha: NO INCLUYE barra de toalla o ganchos de la herramienta	112-04002
14	Ensamble de la cámara de combustión: INCLUYE quemadores/ensamble de la válvula y el tubo colector/manguera y regulador/panel de control/cable y electrodo de encendido	112-03001
15	Pasadores giratorios de la tapa: con pasadores de chaveta (paquete de 2)	101-02007
16	Perilla de control (paquete de 1)	101-03001-08
17	Batería AAA	102-05002
18	Panel posterior del carrito	102-04006
19	Panel lateral derecho del carrito	102-04010
20	Panel lateral izquierdo del carrito	102-04009
21	Soporte de la puerta frontal superior del carrito	102-04008
22	Imán de la puerta	101-14020
23	Rueda con seguro 2.5" : incluye 4 tornillos/arandelas planas/arandelas de resorte	101-04017
24	Rueda regular 2.5" : incluye 4 tornillos/arandelas planas/arandelas de resorte	101-04018
25	Estante inferior del carrito	112-04005
26	Manguito de la manija de la puerta del carrito (paquete de 1)	102-04021
27	Asiento del tanque	112-14005

LISTA DE REPUESTOS

# Ref.	Descripción	Pieza n.º
28	Manija de la puerta del carrito: incluye tornillos para fijarla	101-01017-00
29	Ensamble de la puerta frontal del carrito: SIN manija	101-01016-00
30	Porta fósforos: con cadena y tornillo para fijarlo	101-04019
31	Tornillo de retención del cilindro de PL	112-04012
32	Insignia de DynaGlo - para la tapa	112-12001
33	Barra de toalla para la tabla de lado izquierdo o derecho	112-14022
34	Ganchos de la herramienta para la tabla de lado izquierdo o derecho (paquete de 1)	112-14023
35	Quemador izquierdo: incluye 2 tornillos para fijarlo	112-03003
36	Quemador derecho: incluye 2 tornillos para fijarlo	112-03004
37	Electrodo de encendido con cable de encendido	102-03013
38	Tubo colector de gas con válvulas: PL	102-03007
39	Manguera y regulador: PL	102-03008
40	Panel de control	112-13006
41	Ensamble de la cámara de combustión: INCLUYE protector de la tapa	102-13002
42	Quemador electrónico: NO INCLUYE cable o electrodo de encendido	102-03023
43	Bisel de la perilla de control (paquete de 1)	102-03010
n/a	Paquete de aditamentos	112-05001
n/a	Manual de ensamblaje del propietario	70-10-004

GARANTÍA LIMITADA

Nombre del artículo: Parrilla de gas LP
Modelo N°: DGP350SNP/DGP350SNP-D
Clasificación de BTU: 30,000 BTU/Hr

Esta parrilla a gas PL tiene garantía contra piezas rotas o dañadas en el momento de la compra. Todas las piezas tienen un (1) año de garantía limitada. La pintura está garantizada contra defectos por 90 días, exceptuando la oxidación, la cual puede aparecer después del uso repetido.

Esta garantía no cubre daños o problemas ocasionados por negligencia ni abuso o modificaciones al electrodoméstico. Los gastos de reparación no están cubiertos.

Todas las piezas que cumplan con los requisitos de la garantía se enviarán sin cargo por el medio que decida GHP Group Inc. (envíos por tierra, correo de EE.UU. o servicios de paquetes postales ÚNICAMENTE). Cualquier otro gasto especial de manipulación (es decir, envíos de dos días, de la noche a la mañana, etc.) correrá por cuenta del cliente.

Todos las reclamaciones de garantía se aplican sólo al comprador original y requieren un comprobante de compra para verificar la fecha de la misma. No devuelva piezas a la dirección de GHP Group Inc. sin antes obtener un número de autorización para la devolución de nuestro Departamento de Servicio al Cliente. Este servicio está disponible llamando gratis al: 1-877-447-4768, de lunes a viernes de 8:30 a.m. a 4:30 p.m., hora central estándar.

Algunos estados no permiten la exclusión o limitación de daños accidentales o resultantes, o limitaciones en cuanto al período de duración de una garantía, de modo que las exclusiones o limitaciones anteriores pueden no aplicarse a usted. Esta garantía le otorga derechos legales específicos, pero podría tener también otros derechos que varían según el estado.

GHP Group, Inc.
6440 W. Howard St.
Niles, IL, USA 60714-3302
Teléfono gratuito: 1-877-447-4768