



# ADELAIS

## SINGLE-HANDLE TUB AND SHOWER FAUCET

### Model

---

MFF-ADLTS

### Available Finishes

---

Brushed Nickel (BN)  
Chrome (CP)

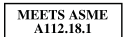


### Standards

---



- IAPMO UPC/cUPC
- NSF 61-9



- AMSE A112.18.1



- ADA Accessibility Guidelines for Buildings and Facilities 4.27.4 Controls and Mechanisms

### Product Features

---

- Ceramic Disc Cartridge
- Cast Brass Valve Body (MFF-TBSHW-VL2)
- Metal Lever Handle
- Metal Tub Spout
- 100% Factory Pressure Tested

### General Description

---

Cast brass valve body. Metal lever handle and escutcheon. Metal tub spout. 1-function shower head. Shower head max flow rate: 2.5 gpm (9.5 lpm) maximum at 80 PSI. Spout 2.4 gpm maximum at 20 PSI.

### Suggested Specification

---

Shower faucet shall feature cast brass valve body. Shall also feature 120° turn ceramic disc valve cartridge. Fitting shall be Fontaine Model #MFF-ADLTS-\_\_\_\_.

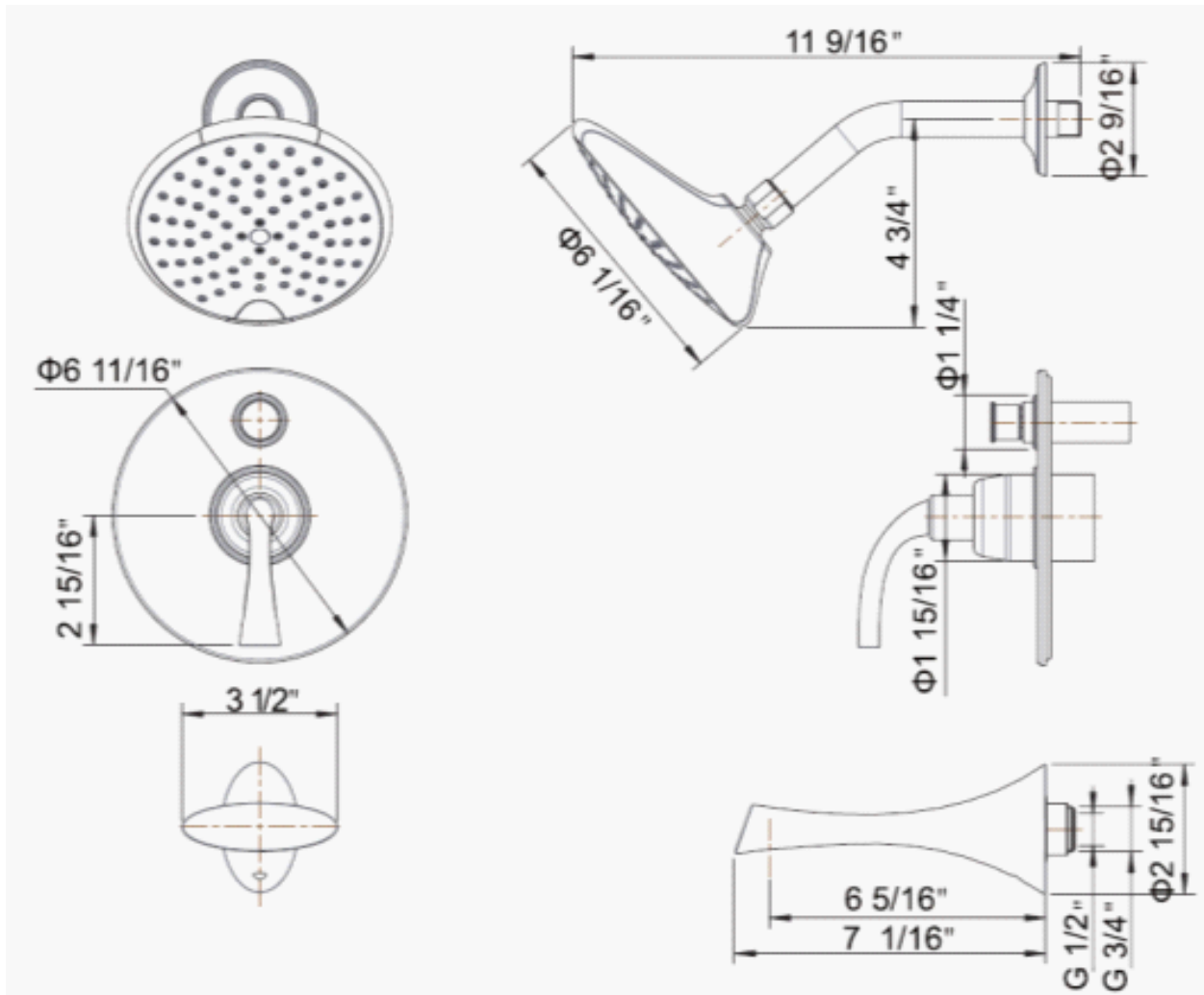
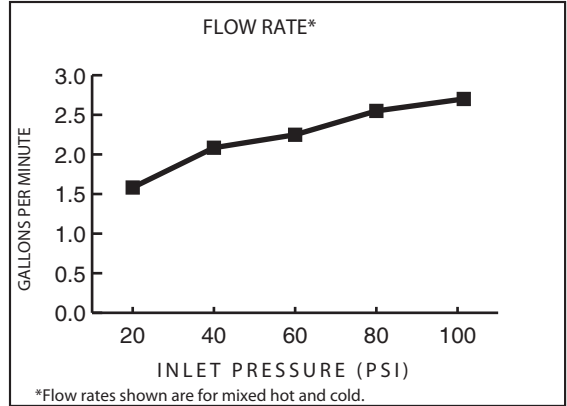


# ADELAIS

## SINGLE-HANDLE TUB AND SHOWER FAUCET

### Flow Rate

Shower: 2.5 gallons per minute (9.5 liters per minute) maximum flow rate at 80 psi.  
 Spout: 2.4 gallons per minute @ 20 psi.



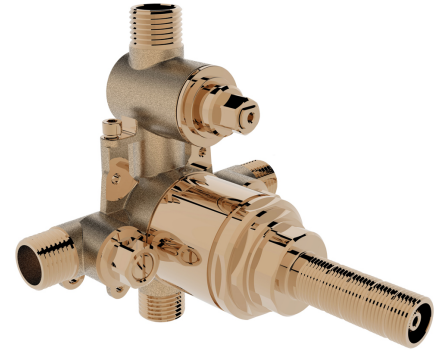


# TUB AND SHOWER VALVE

## PRESSURE BALANCED

### Model

MFF-TBSHW-VL2



### Standards



- IAPMO UPC/cUPC
- NSF 61-9
- ASME A112.18.1
- CSA B125.1

### General Description

Pressure balanced tub and shower valve. Cast brass valve body with built-in check valves. .5 in. CC and IPS connections. Integral diverter. 2.4gpm @20 psi for spout, 2.5gpm for shower.

### Product Features

- Ceramic Disc Cartridge
- Cast Brass Valve Body with Built-in Check Valves

### Suggested Specification

Pressure balanced tub and shower valve shall feature cast brass valve body. Shall also feature ceramic disc cartridge. Fitting shall be Fontaine Model #MFF-TBSHW-VL2.

